

MODEL 201/261 MACH TILL HIGH-SPEED DISC

PARTS MANUAL

M0284-02

Rev. 9/23

This manual is applicable to: Model 201/261 Mach Till High-Speed Disc
2018 Production and on

Record the model number and serial number of your disc along with date purchased:

Model Number _____

Serial Number _____

Date Purchased _____

Information in this manual was current at time of printing. However, due to Kinze's ongoing product improvement, production changes may cause your machine to appear slightly different in detail. Kinze Manufacturing, Inc. reserves the right to change specifications or design without notice and without incurring obligation to install the same on machines previously manufactured.

Right hand (R.H.) and left hand (L.H.), as used throughout this manual, are determined by facing in the direction the machine will travel when in use, unless otherwise stated.

Kinze®, and the Kinze® logo, are registered trademarks of Kinze Manufacturing, Inc.

Mach Till™ is a trademark of Kinze Manufacturing, Inc.

This page left blank intentionally.

BASE MACHINE

| | |
|--|-----|
| Machine Overview | P3 |
| Hitch | P4 |
| Jack Assembly | P5 |
| Transport Tower | P6 |
| Front Hitch | P7 |
| Rear Hitch | P8 |
| Wheel and Rockshaft (2018 - 2021 Production) | P10 |
| Wheel and Rockshaft (2022 Production and on) | P12 |
| Hub/Spindle Assembly | P14 |
| Center Frame | P15 |
| Wing Frame | P16 |
| Dirt Deflector Assembly (2018 - 2021 Production) | P18 |
| Dirt Deflector Assembly (2022 Production and on) | P19 |
| Disc Arm Components and Disc Options | P20 |
| Disc Gang Components, Mach Till 201 | P22 |
| Disc Gang Components, Mach Till 261 | P24 |
| Roller Frame | P26 |
| Rubber Roller Components | P28 |
| Scraper Components | P29 |
| Gauge Wheel Assembly (2018 - 2021 Production) | P30 |
| Gauge Wheel Assembly (2022 Production and on) | P32 |
| Gauge Wheel Hub Assembly | P34 |

HYDRAULICS

| | |
|---|-----|
| Hydraulic Schematic - Transport | P35 |
| Hydraulic Schematic, Depth (2018-2021 Production) | P36 |
| Hydraulic Schematic, Depth (2018-2021 Production) | P37 |
| Hydraulic Schematic, Depth (2022 Production and on) | P38 |
| Hydraulic Schematic, Depth (2022 Production and on) | P39 |
| Hydraulic Schematic - Wings | P40 |
| Hydraulic Schematic - Jack | P42 |
| Transport Cylinder | P43 |
| Cylinder and Depth Stop Components | P44 |
| Hydraulic Schematic | P46 |

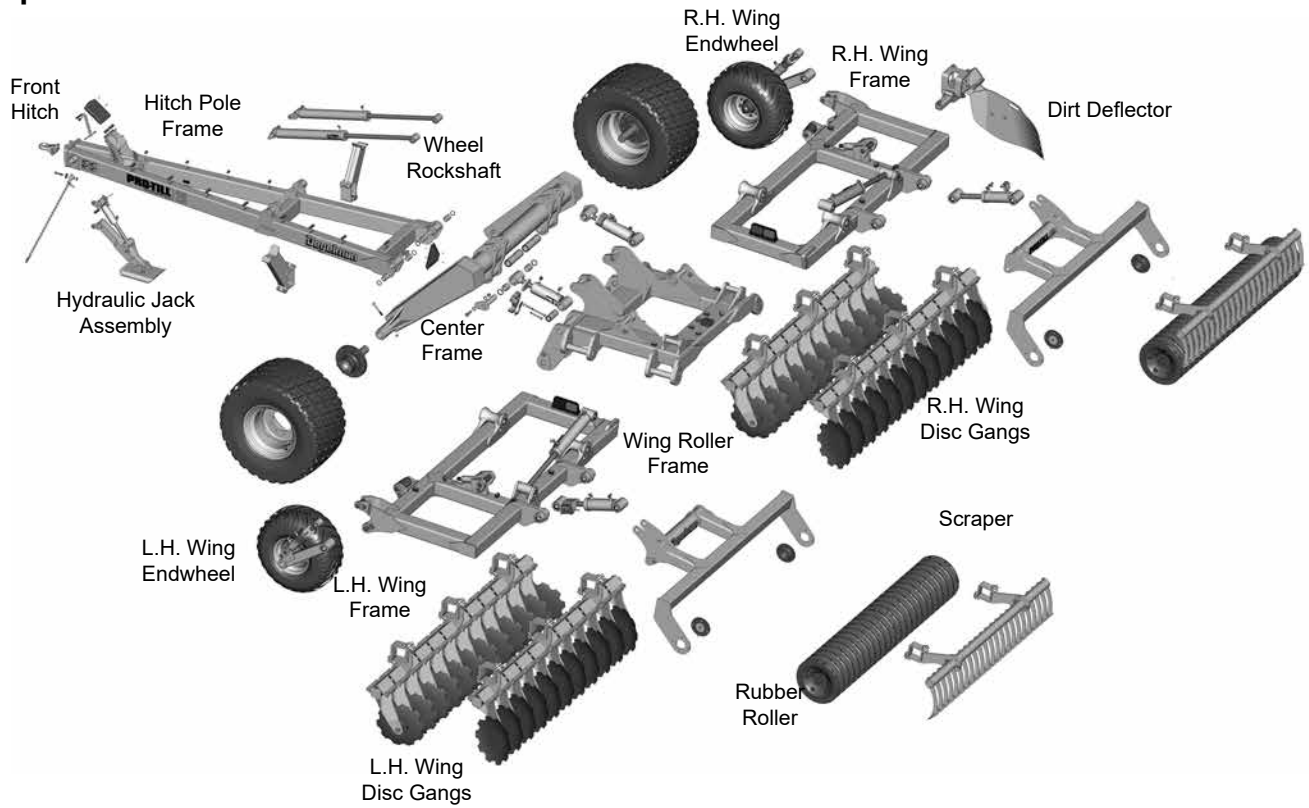
ELECTRICAL

| | |
|--------------------------------|-----|
| Electrical Schematic | P48 |
|--------------------------------|-----|

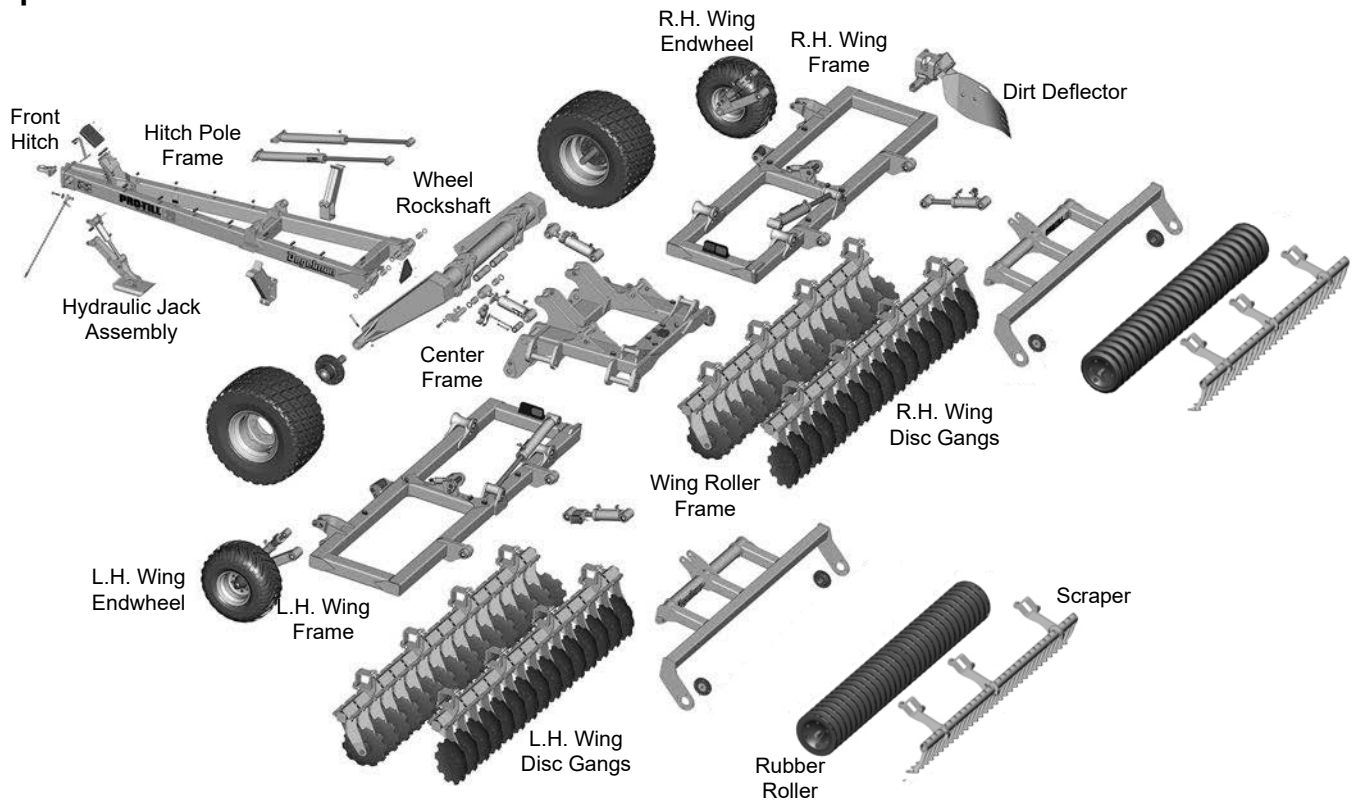
DECAL AND MISCELLANEOUS P51**NUMERICAL INDEX P55**

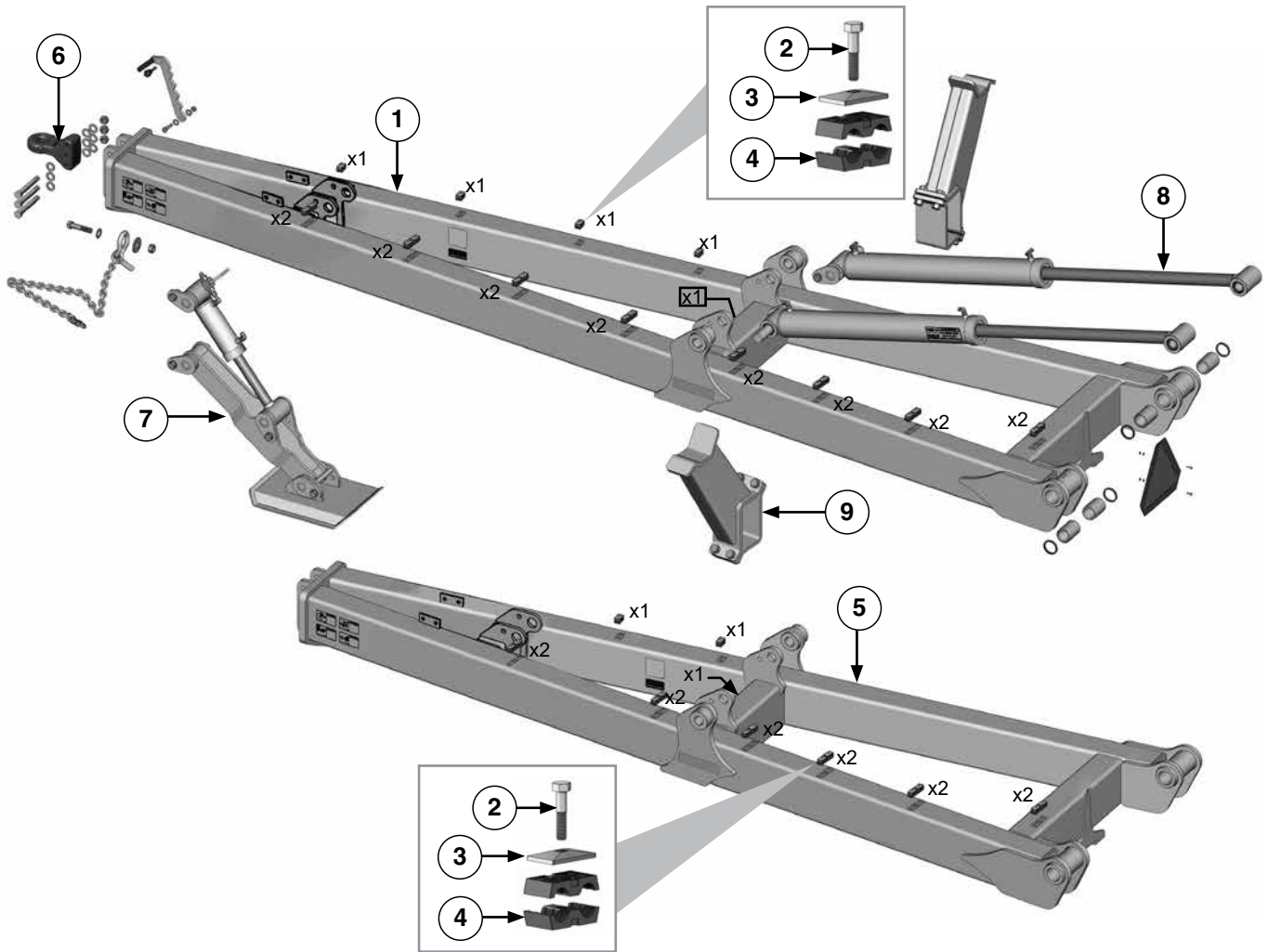
This page left blank intentionally.

Exploded Overview of a Mach Till 201

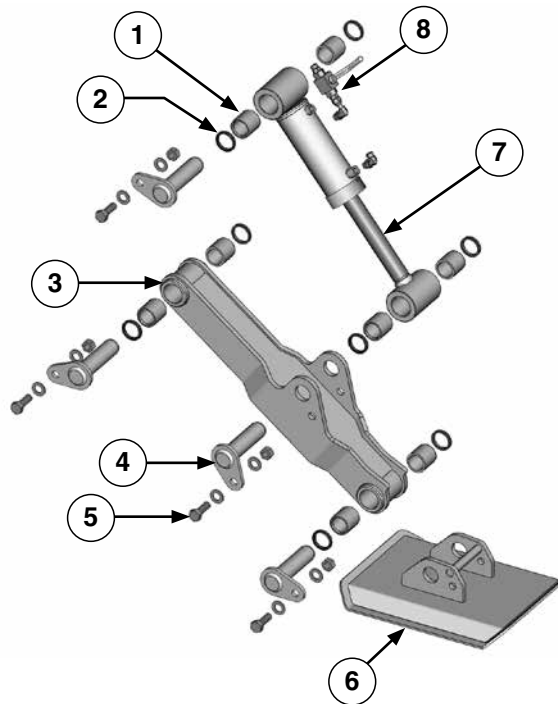


Exploded Overview of a Mach Till 261

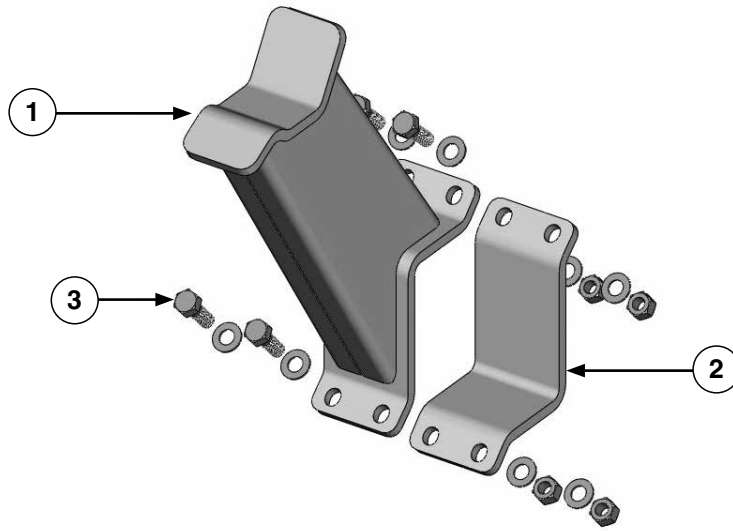




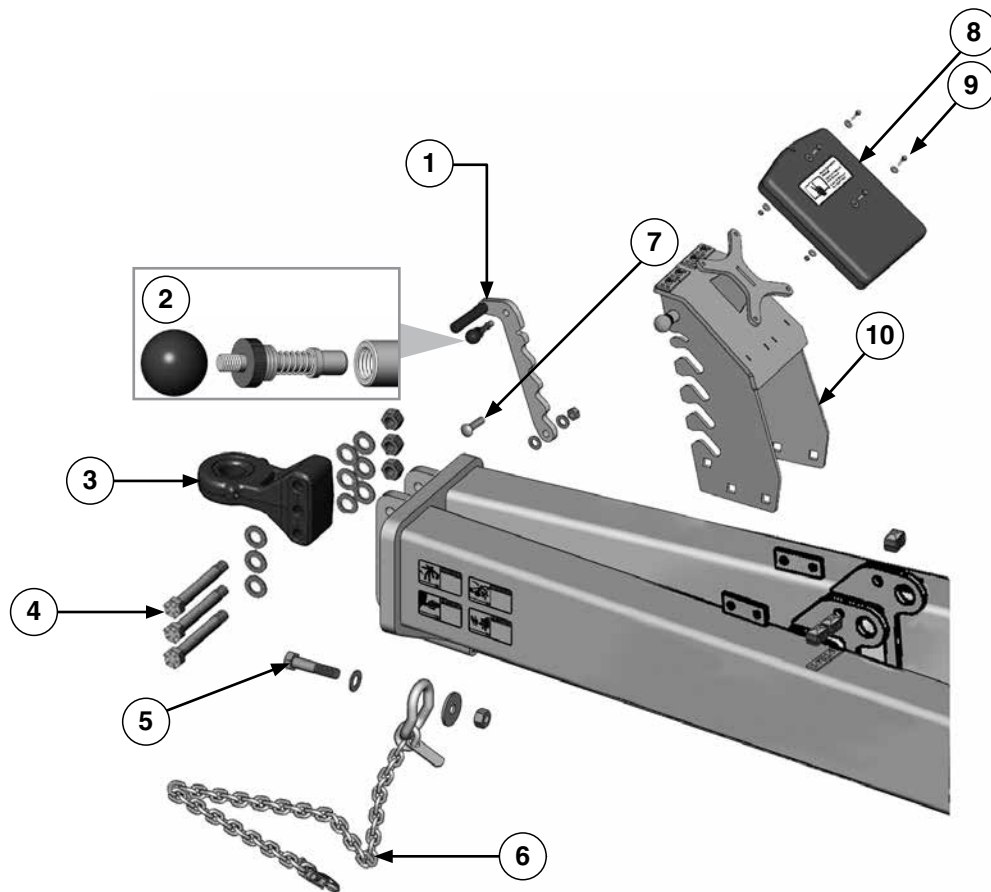
| ITEM | PART NO. | QTY. | DESCRIPTION |
|------|------------|-------|--|
| 1 | GA573060BU | 1 | Hitch, Mach Till 261 |
| 2 | G1118144 | 22/25 | Hex Bolt, 1 ⁵ / ₁₆ " x 1 ¹ / ₂ " |
| 3 | GD780279 | 22/25 | Top Hydraulic Hose Clamp Plate |
| 4 | GA780346 | 22/25 | Hydraulic Hose Clamp, 1/2" (2 Halves Per Set) |
| 5 | GA573092BU | 1 | Hitch, Mach Till 201 |
| 6 | --- | - | See "Front Hitch" on page P7 |
| 7 | --- | - | See "Jack Assembly" on page P5 |
| 8 | GA123068BK | - | See "Transport Cylinder" on page P43 |
| 9 | --- | - | See "Transport Tower" on page P6 |



| ITEM | PART NO. | QTY. | DESCRIPTION |
|------|------------|------|--|
| 1 | G1117225 | 8 | Bushing, 2½" O.D. x 2" I.D. x 2" |
| 2 | GD133135 | 8 | Wiper Seal |
| 3 | GA573175BK | 1 | Jack Leg |
| 4 | GD575193 | 4 | Pin, 2" x 8½" |
| | GD575194 | 4 | Pin Plate |
| 5 | G11661 | 4 | Hex Head Cap Screw, 7/8"-9 x 2¾", Grade 8 |
| | G1118774 | 8 | Flat Washer, 7/8" |
| | G1117416 | 4 | Lock Nut, 7/8" |
| 6 | GA573180BK | 1 | Jack Pad |
| 7 | GA27257 | 1 | Hydraulic Cylinder, 4" x 8" x 2" (Black Rod - Part Number Stamped on Barrel) |
| | GA123412BK | 1 | Hydraulic Cylinder, 4" x 8" x 2" (Chrome Rod) |
| 8 | --- | - | See "Hydraulic Schematic - Jack" on page P42 |

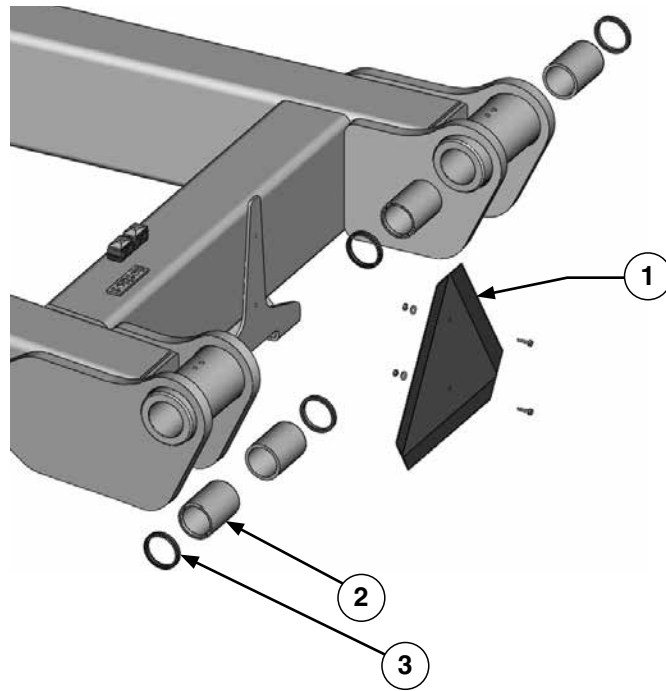


| ITEM | PART NO. | QTY. | DESCRIPTION |
|------|------------|------|----------------------------|
| 1 | GA573185BU | 2 | Transport Tower |
| 2 | GD573190BU | 2 | Transport Tower Clamp |
| 3 | G1118134 | 8 | Hex Bolt, 1" x 3", Grade 8 |
| | G1131020 | 16 | Flat Washer, 1" |
| | G1118911 | 8 | Lock Nut, 1" |



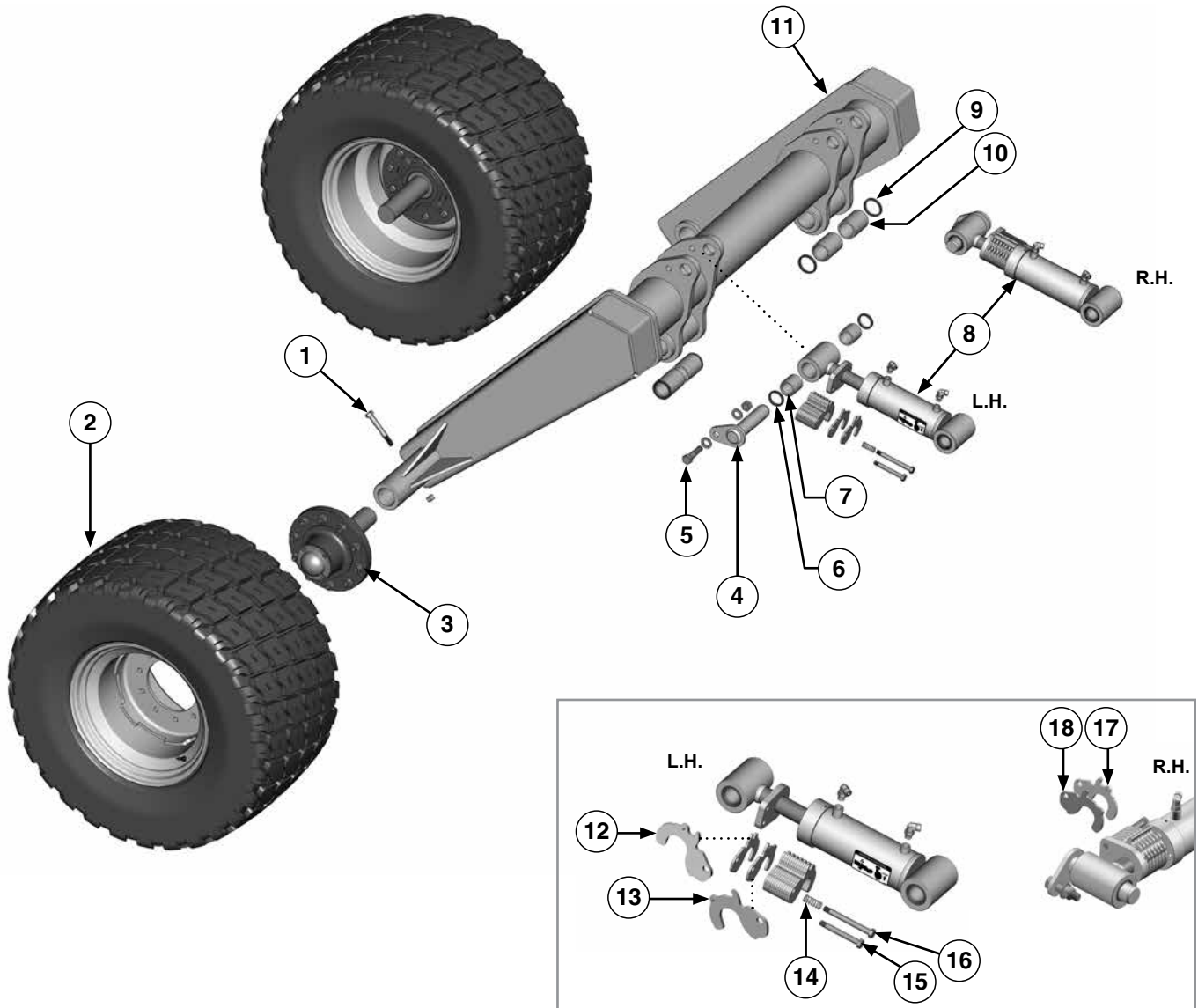
| ITEM | PART NO. | QTY. | DESCRIPTION |
|------|------------|------|--|
| 1 | GA573165BU | 1 | Hydraulic Hose Retainer Handle |
| | GD572930 | - | Handle Grip, Black |
| 2 | GA572931 | - | Pull Pin, 1/2" (Apply Blue Loctite to Threads) |
| 3 | GA124029 | 1 | Hitch |
| 4 | *G1117429 | 3 | Hex Bolt, 1" x 7 5/8" |
| | G1131020 | 9 | Flat Washer, 1" |
| | G1118911 | 3 | Lock Nut, 1", UniTorque |
| 5 | G1117565 | 1 | Hex Bolt, 1" x 4 1/2", Grade 8 |
| | G1131020 | 1 | Flat Washer, 1" |
| | G1118615 | 1 | Flat Washer, 1 1/32" x 3 1/8" |
| | G1118911 | 1 | Lock Nut, 1", UniTorque |
| 6 | GD116302 | 1 | Safety Chain |
| 7 | G1118221 | 1 | Carriage Bolt, 5/8" x 2", Grade 5 |
| | G1118537 | 2 | Flat Washer, 5/8" |
| | G1118447 | 1 | Lock Nut, 5/8", UniTorque |
| 8 | GD133100 | 1 | Manual Holder |
| 9 | G1118123 | 4 | Hex Bolt, 1/4" x 1", Grade 5 |
| | G1118541 | 8 | Flat Washer, 1/4" |
| | G1118483 | 4 | Lock Nut, 1/4", Grade 5 |
| 10 | GA573590BU | 1 | Manual Holder Bracket |
| | G1118221 | 4 | Carriage Bolt, 5/8" x 2", Grade 5 |
| | G1118447 | 4 | Lock Nut, 5/8", UniTorque |
| | G1118537 | 4 | Flat Washer, 5/8" |

*When G1117429 is purchased, it also comes w/quantity 1 of G1131020.



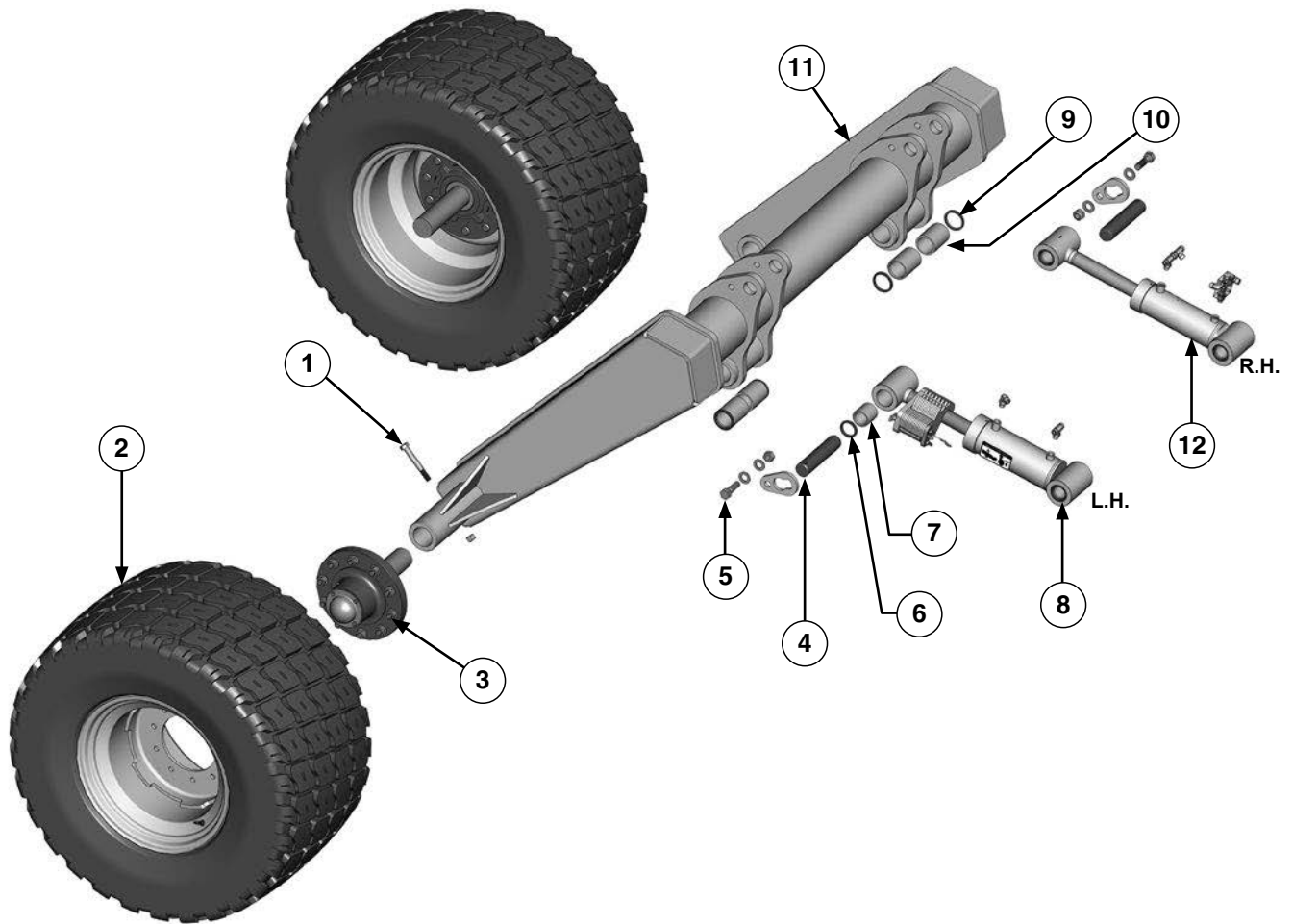
| ITEM | PART NO. | QTY. | DESCRIPTION |
|------|----------|------|-------------------------------------|
| 1 | GD2199 | 1 | SMV Sign |
| | G1118123 | 2 | Hex Bolt, 1/4" x 1", Grade 5 |
| | G1118541 | 2 | Flat Washer, 1/4" |
| | G1118483 | 2 | Lock Nut, 1/4", Grade 5 |
| 2 | GD117226 | 4 | Bushing, 3" O.D. x 2 1/2" I.D. x 4" |
| 3 | GD133136 | 4 | Wiper Seal |

This page left blank intentionally.



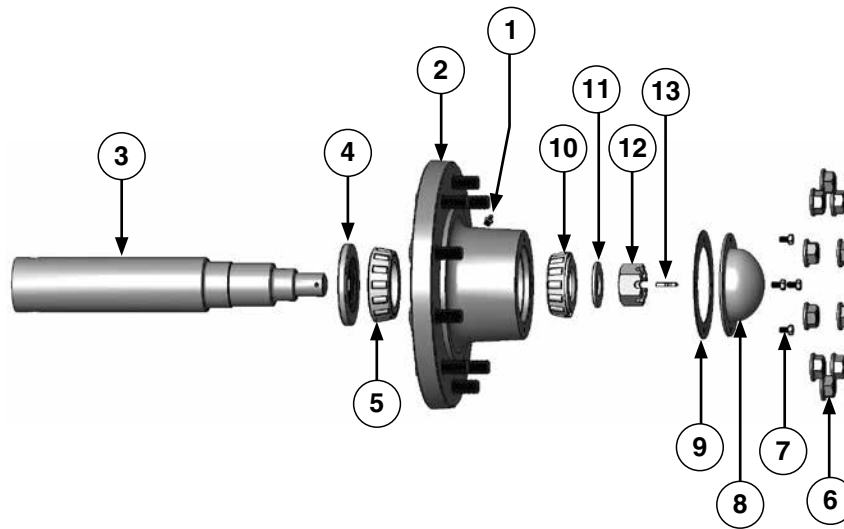
| ITEM | PART NO. | QTY. | DESCRIPTION |
|------|------------|------|---|
| 1 | G1118062 | 2 | Hex Bolt, ¾" x 5½", Grade 8 |
| 2 | GD131819 | 1 | Tire, 600/50R22.5 |
| | GA131806 | 1 | Rim, 22.5 x 20.0 |
| | GR127015 | 1 | Valve Stem |
| 3 | --- | - | See "Hub/Spindle Assembly" on page P12 |
| 4 | GD575195 | 2 | Pin, 2" x 9¼" |
| | GD575194 | 2 | Pin Plate |
| 5 | G1118767 | 2 | Hex Bolt, ⅞" x 3", Grade 8 |
| | G1118774 | 4 | Flat Washer, ⅞" |
| | G1117416 | 2 | Lock Nut, ⅞" |
| 6 | GD133135 | 8 | Wiper Seal |
| 7 | GD117225 | 8 | Bushing, 2½" O.D. x 2" I.D. x 2½" |
| 8 | GA123066BK | 2 | Hydraulic Cylinder, 4¼" x 8" x 2" |
| | GR123046 | - | Seal Kit |
| 9 | GD133136 | 4 | Wiper Seal |
| 10 | GD117226 | 4 | Bushing, 3" O.D. x 2½" I.D. x 4" |
| 11 | GA573045BU | 1 | Rockshaft |
| 12 | GA573449 | 8 | Depth Stop Upper Pin, L.H. |
| 13 | GA573447 | 7 | Depth Stop Lower Pin, L.H. |
| 14 | G1143000 | 2 | Spring |
| 15 | GD117502 | 2 | Hex Bolt, ⅝" x 5" Grade 8 (Apply Blue Loctite to Threads) |
| 16 | G1117509 | 2 | Hex Bolt, ⅝" x 5⅞", Grade 8 (Apply Blue Loctite to Threads) |
| 17 | GA573453 | 8 | Depth Stop Upper Pin, R.H. |
| 18 | GA573448 | 7 | Depth Stop Upper Pin, R.H. |
| A | GA131818GY | - | Wheel Assembly (Includes Items: 2) |

NOTE: Refer To "Torque Values Charts" and "Tire Pressure" in Lubrication and Maintenance Section of Operator Manual

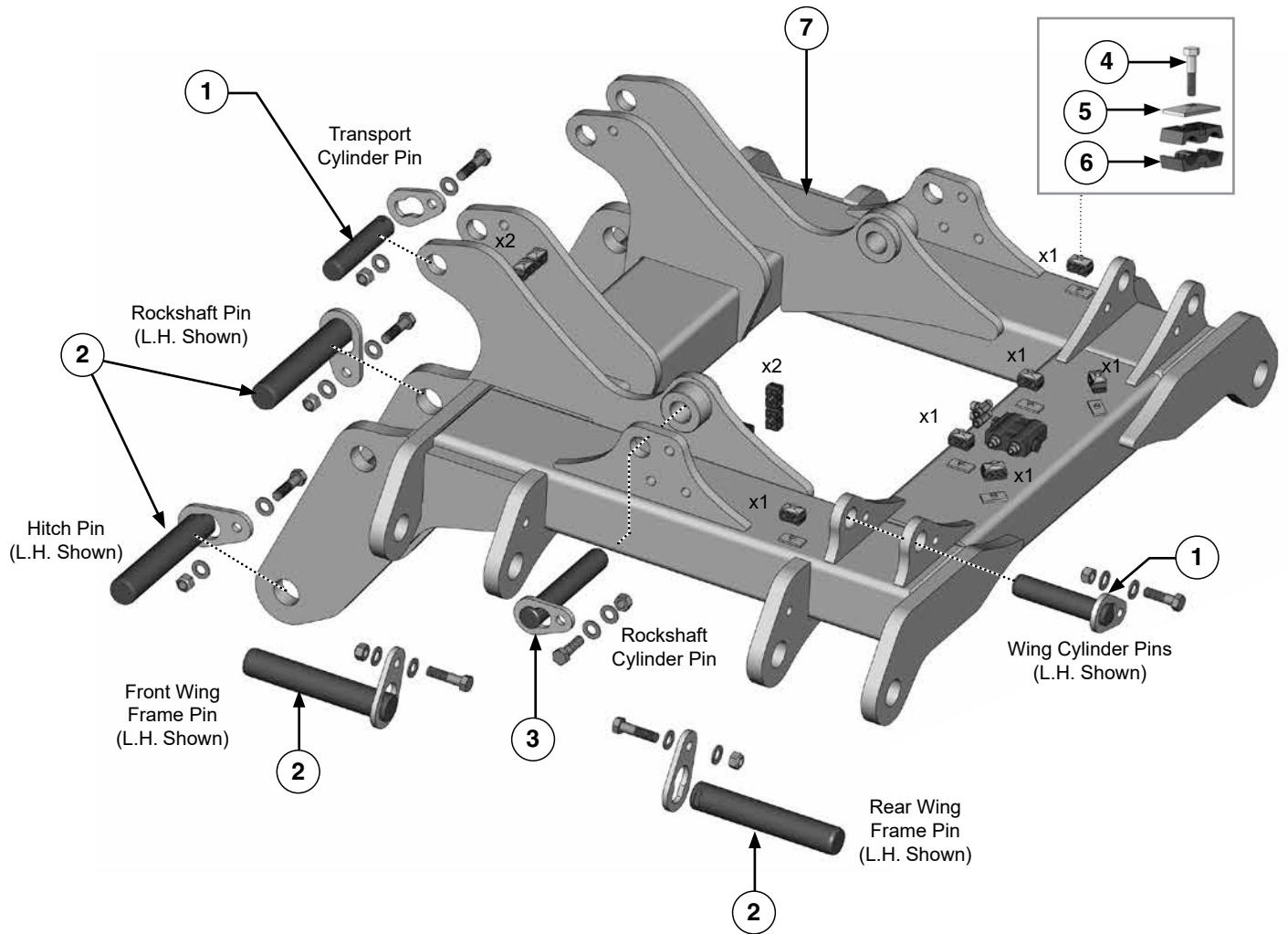


| ITEM | PART NO. | QTY. | DESCRIPTION |
|------|------------|------|--|
| 1 | G1118062 | 2 | Hex Bolt, ¾" x 5½", Grade 8 |
| 2 | GD131819 | 1 | Tire, 600/50R22.5 |
| | GA131806 | 1 | Rim, 22.5 x 20.0 |
| | GR127015 | 1 | Valve Stem |
| 3 | --- | - | See "Hub/Spindle Assembly" on page P14 |
| 4 | GD575195 | 2 | Pin, 2" x 9¼" |
| | GD575194 | 2 | Pin Plate |
| 5 | G1118767 | 2 | Hex Bolt, 7/8" x 3", Grade 8 |
| | G1118774 | 4 | Flat Washer, 7/8" |
| | G1117416 | 2 | Lock Nut, 7/8" |
| 6 | GD133135 | 8 | Wiper Seal |
| 7 | GD117225 | 8 | Bushing, 2½" O.D. x 2" I.D. x 2½" |
| 8 | GA27254 | 1 | Hydraulic Cylinder, 4¼" x 8" x 2" (<i>Black Rod - Part Number Stamped on Barrel</i>) |
| | GA123075BK | - | Hydraulic Cylinder, 4¼" x 8" x 2" (<i>Chrome Rod</i>) |
| | GR2386 | - | Seal Kit (Black Rod) |
| | GR123046 | - | Seal Kit (Chrome Rod) |
| 9 | GD133136 | 4 | Wiper Seal |
| 10 | GD117226 | 4 | Bushing, 3" O.D. x 2½" I.D. x 4" |
| 11 | GA573045BU | 1 | Rockshaft |
| 12 | GA27250 | 1 | Hydraulic Cylinder, 3¾" x 8" x 2" (<i>Black Rod - Part Number Stamped on Barrel</i>) |
| | GA123065BK | - | Hydraulic Cylinder, 3¾" x 8" x 2" (<i>Chrome Rod</i>) |
| | GR2385 | - | Seal Kit (Black Rod) |
| | GR123051 | - | Seal Kit (Chrome Rod) |
| A | GA131818GY | - | Wheel Assembly (Includes Items: 2) |

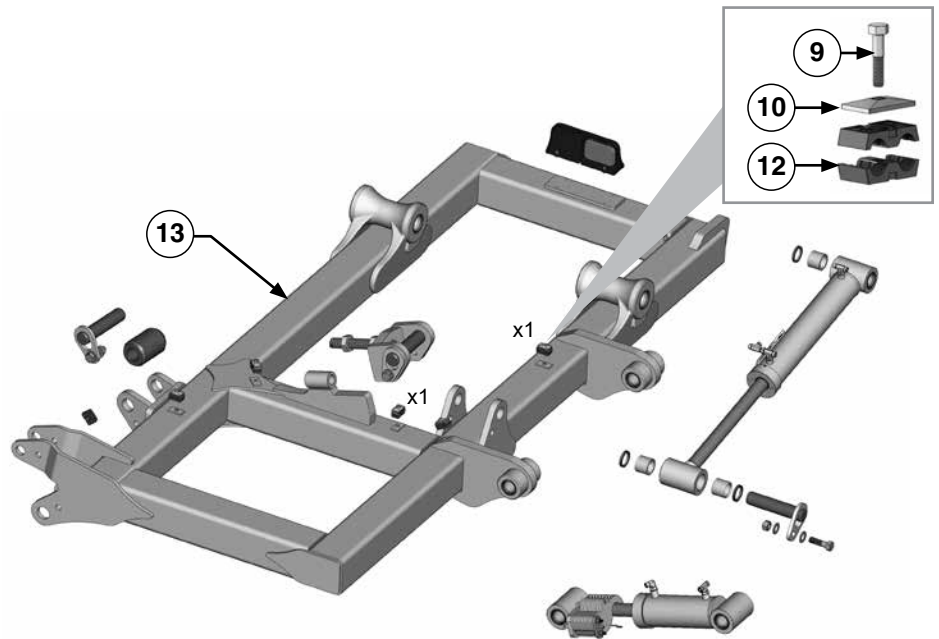
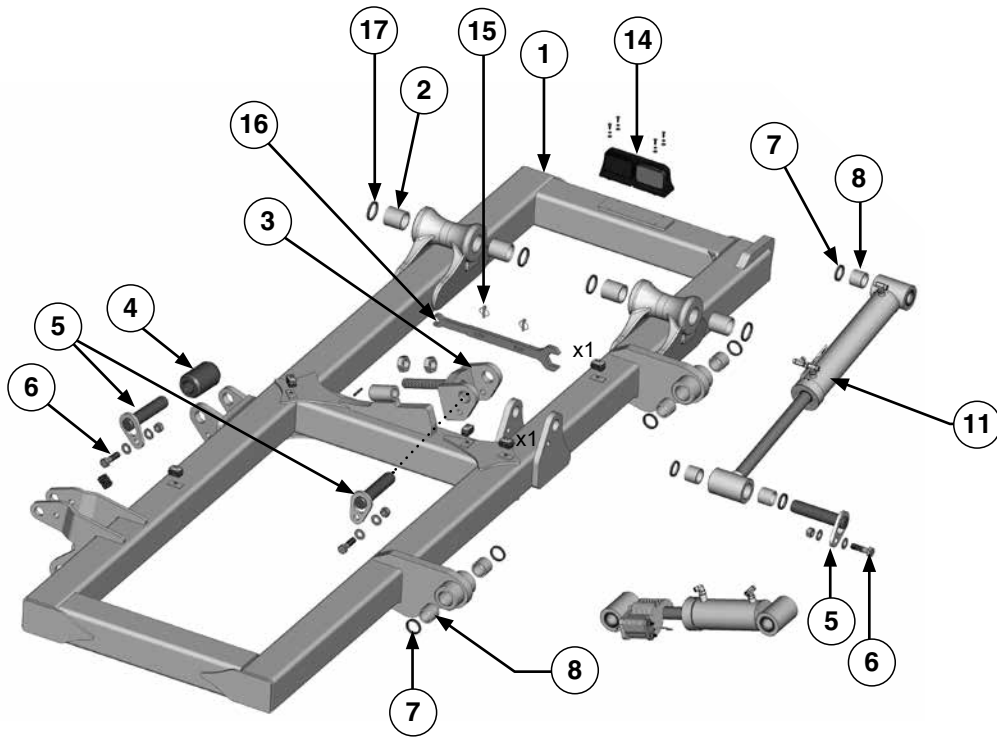
NOTE: Refer To "Torque Values Charts" in Lubrication and Maintenance Section of Operator Manual



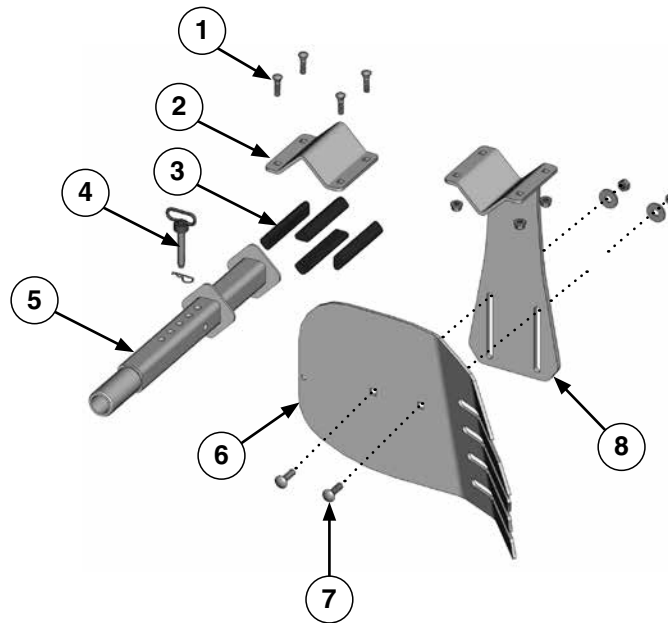
| ITEM | PART NO. | QTY. | DESCRIPTION |
|------|----------|------|---------------------------|
| 1 | GD118332 | 1 | Grease Fitting, 1/8" NPT |
| 2 | GR131832 | 1 | Hub Assembly |
| | GR131834 | 1 | Inner Bearing Cup |
| | GR131835 | 1 | Outer Bearing Cup |
| | GR118723 | 1 | Wheel Stud |
| 3 | GA131833 | 1 | Spindle |
| 4 | GR131840 | 1 | Dust Seal |
| 5 | GR131836 | 1 | Inner Bearing Cone |
| 6 | GR118712 | 10 | Wide Base Nut |
| 7 | GR118641 | 4 | Hex Bolt, 5/16" x 1/2" |
| 8 | GR131838 | 1 | Dust Cap |
| 9 | GR131841 | 1 | Gasket, 4 Hole |
| 10 | GR131837 | 1 | Outer Bearing Cone |
| 11 | GR118963 | 1 | Flat Washer, 1 1/4" |
| 12 | GR118443 | 1 | Slotted Nut, 1 1/4" |
| 13 | GR131839 | 1 | Spindle Nut Retainer Pin |
| A | GA131830 | - | Hub Assembly (Items 1-13) |



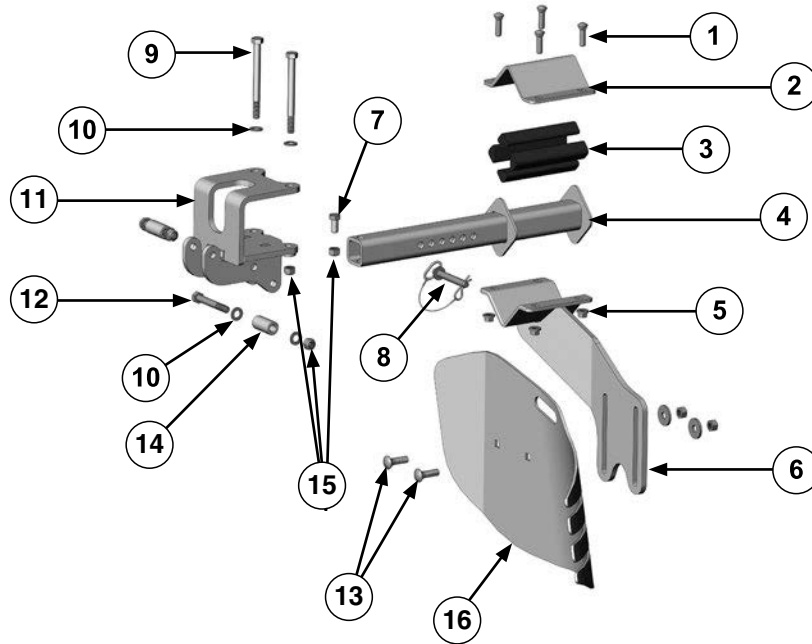
| ITEM | PART NO. | QTY. | DESCRIPTION |
|------|-----------|------|---|
| 1 | GD575195 | 4 | Pin, 2" x 9¼" |
| | GD575194 | 4 | Pin Plate |
| | G1118767 | 4 | Hex Bolt, 7/8" x 3", Grade 8 |
| | G1118774 | 8 | Flat Washer, 7/8" |
| | G1117416 | 4 | Lock Nut, 7/8" |
| 2 | GD575215 | 8 | Pin, 2½" x 14¼" |
| | GD575212 | 8 | Pin Plate |
| | G1118768 | 8 | Hex Bolt, 7/8" x 3½", Grade 8 |
| | G1118774 | 16 | Flat Washer, 7/8" |
| | G1117416 | 8 | Lock Nut, 7/8" |
| 3 | GD575197 | 2 | Pin, 2" x 12¼" |
| | GD575194 | 2 | Pin Plate |
| | G1118767 | 2 | Hex Bolt, 7/8" x 3" |
| | G1118774 | 4 | Flat Washer, 7/8" |
| | G1117416 | 2 | Lock Nut, 7/8" |
| 4 | G1118144 | 10 | Hex Bolt, 5/8" x 1½" |
| 5 | GD780279 | 10 | Top Hydraulic Hose Clamp Plate |
| 6 | GA780346 | 10 | Hydraulic Hose Clamp, 3/8" (2 Halves Per Set) |
| 7 | A573025BU | 1 | Center Frame (Non-Stock Item) |



| ITEM | PART NO. | QTY. | DESCRIPTION |
|------|------------|------|--|
| 1 | A573803BU | 1 | Wing Frame, Mach Till 261 L.H. (Shown) (Non-Stock Item) (2022 Production and on) |
| | A573804BU | 1 | Wing Frame, Mach Till 261 R.H. (Non-Stock Item) (2022 Production and on) |
| | A573340BU | 1 | Wing Frame, Mach Till 261 L.H. (Non-Stock Item) (2018-2021 Production) |
| | A573330BU | 1 | Wing Frame, Mach Till 261 R.H. (Non-Stock Item) (2018-2021 Production) |
| 2 | GD117226 | 4 | Bushing, 3" O.D. x 2½" I.D. x 4" |
| 3 | GA573170BK | 1 | Threaded Adjustment Assembly |
| | G1118451 | 2 | Jam Nut, 1½" |
| 4 | GD573199BK | 1 | Hardened Bushing, 4" O.D x 2-½" I.D. x 5¾" |
| 5 | GD575195 | 1 | Pin, 2" x 9¼" |
| | GD575194 | 1 | Pin Plate |
| 6 | G1118767 | 4 | Hex Bolt, 7/8" x 3", Grade 8 |
| | G1118774 | 8 | Flat Washer, 7/8" |
| | G1117416 | 2 | Lock Nut, 7/8" |
| 7 | GD133135 | 4 | Wiper Seal |
| 8 | GD117225 | 4 | Bushing, 2½" O.D. x 2" I.D. x 2½" |
| 9 | G1118144 | 6 | Hex Bolt, 5/16" x 1½" |
| 10 | GD780279 | 6 | Top Hydraulic Hose Clamp Plate |
| 11 | GA27252 | 2 | Hydraulic Cylinder, 4" x 20" x 2" (<i>Black Rod - Part Number Stamped on Barrel</i>) |
| | GA123067BK | - | Hydraulic Cylinder, 4" x 20" x 2" (<i>Chrome Rod</i>) |
| | GR2387 | - | Seal Kit (Black Rod) |
| | GR123049 | - | Seal Kit (Chrome Rod) |
| 12 | GA780346 | 6 | Hydraulic Hose Clamp, 3/8" (2 Halves Per Set) |
| 13 | A573801BU | 1 | Wing Frame, Mach Till 201, L.H. (Shown) (Non-Stock Item) (2022 Production and on) |
| | A573802BU | 1 | Wing Frame, Mach Till 201, R.H. (Non-Stock Item) (2022 Production and on) |
| | A573325BU | 1 | Wing Frame, Mach Till 201, L.H. (Non-Stock Item) (2018-2021 Production) |
| | A573326BU | 1 | Wing Frame, Mach Till 201, R.H. (Non-Stock Item) (2018-2021 Production) |
| 14 | --- | --- | See "Electrical Schematic" on page P48 |
| 15 | GA118869 | 2 | Lynch Pin |
| 16 | GD573352 | 1 | Adjustment Wrench |
| 17 | GD133136 | 4 | Wiper Seal |



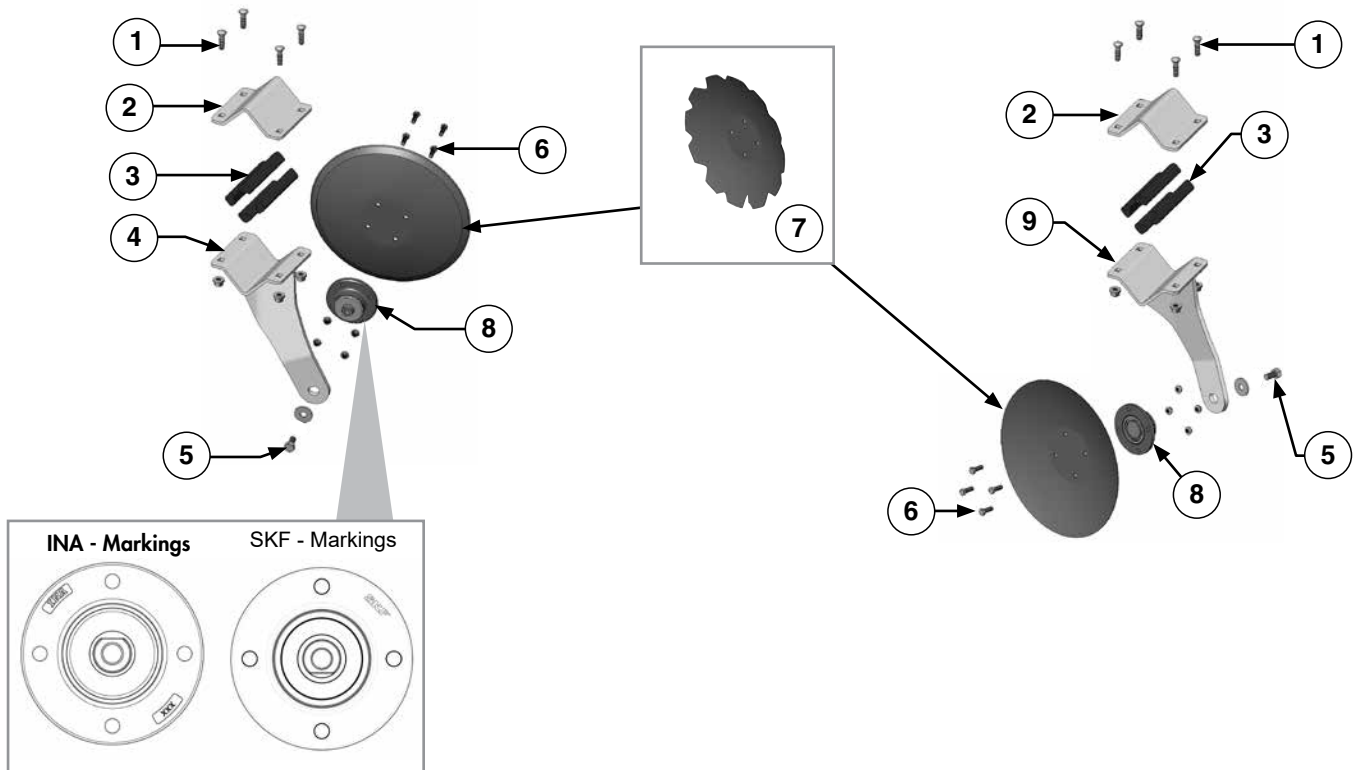
| ITEM | PART NO. | QTY. | DESCRIPTION |
|------|------------|------|---|
| 1 | G1117580 | 4 | Carriage Bolt, 5/8" x 2 1/4", Grade 8 |
| | G1117581 | 4 | Flanged Top Lock Nut, 5/8" |
| 2 | GD572404BK | 1 | Disc Arm Clamp Plate |
| 3 | GD143549 | 4 | Rubber Insert |
| 4 | GA119034 | 1 | Pin, 3/4" x 4" |
| 5 | GA573360BK | 1 | Deflector Tub |
| 6 | GD573370BU | 1 | Deflector Plate |
| 7 | G1117438 | 2 | Carriage Bolt, 3/4" x 2 1/2", Grade 8 |
| | G1118635 | 2 | Hardened Flat Washer, 25/32" I.D. x 2 1/4" O.D. |
| | G1117414 | 2 | Lock Nut, 3/4" |
| 8 | GA573365BK | 1 | Deflector Mount |



| ITEM | PART NO. | QTY. | DESCRIPTION |
|------|------------|------|---|
| 1 | G117580 | 4 | Carriage Bolt, 5/8" x 2 1/4", Grade 8 |
| 2 | GD572404BK | 1 | Disc Arm Clamp Plate |
| 3 | GD143549 | 4 | Rubber Insert |
| 4 | GA573839BK | 1 | Base Tube Assembly |
| 5 | G1117581 | 4 | Flanged Top Lock Nut, 5/8" |
| 6 | GA573832BK | 1 | Deflector Mount Arm |
| 7 | G1118040 | 1 | Hex Bolt, 3/4" x 1 1/2", Grade 5 |
| 8 | GA119036 | 1 | Loop-Grip Pin, 3/4" x 4 1/2" |
| 9 | G10895 | 2 | Hex Head Cap Screw, 3/4"-10 x 8 1/2" |
| 10 | G1118775 | 6 | Flat Washer, 3/4" (M20) |
| 11 | GA573835BU | 1 | Deflector Clamp |
| 12 | G1118062 | 2 | Hex Bolt, 3/4" x 5 1/2", Grade 8 |
| 13 | G1117414 | 2 | Lock Nut, 3/4" |
| | G1118635 | 2 | Hardened Flat Washer, 25/32" I.D. x 2 1/4" O.D. |
| | G1117438 | 2 | Carriage Bolt, 3/4" x 2 1/2", Grade 8 |
| 14 | GD573842 | 2 | Bushing, 1 1/2" O.D. x 25/32" I.D. x 3" |
| 15 | G1117414 | 5 | Lock Nut, 3/4" |
| 16 | GD573841 | 1 | Deflector Plate |

Front Row - Standard Disc Assembly Components

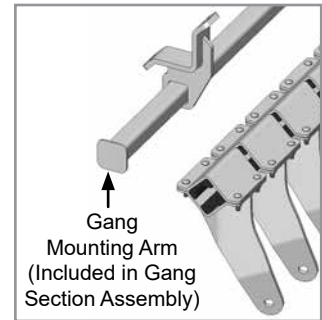
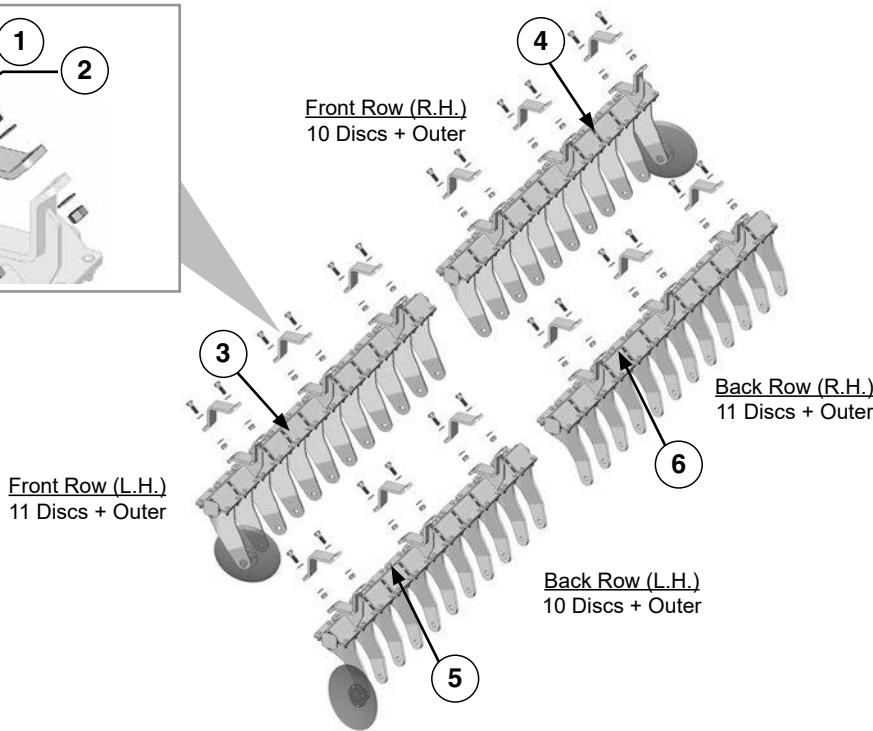
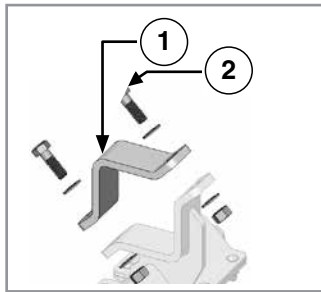
Back Row - Standard Disc Assembly Components



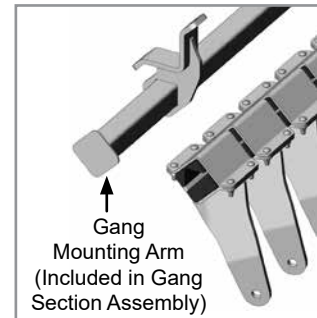
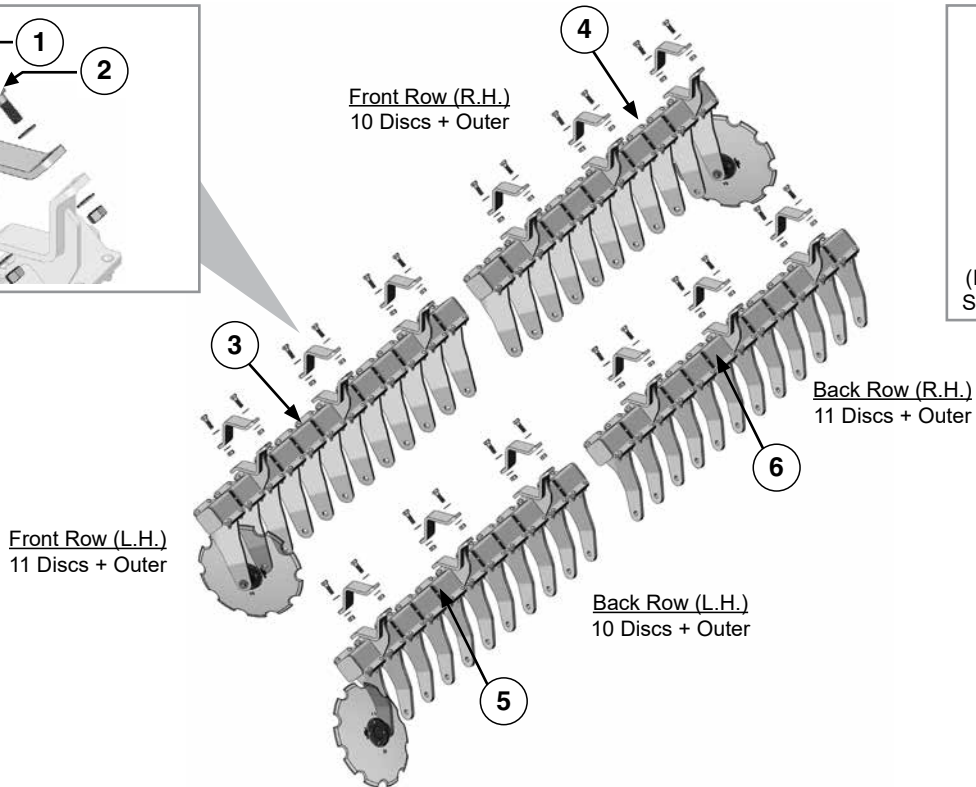
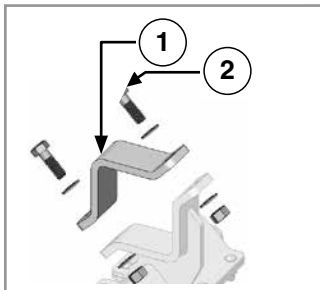
| ITEM | PART NO. | QTY. (per arm) | DESCRIPTION |
|------|------------|-------------------|--|
| 1 | G1117580 | 4 | Carriage Bolt, 5/8" x 2 1/4", Grade 8 |
| | G1117581 | 4 | Flanged Top Lock Nut, 5/8" |
| 2 | GD572404BK | 1 | Disc Arm Clamp Plate, Standard |
| | GD573764BK | | Disc Arm Clamp Plate, Heavy Duty |
| 3 | GD143549 | 4 | Rubber Insert, Standard |
| | GD143575 | | Rubber Insert, Heavy Duty |
| 4 | GA572401BK | 1 | Disc Arm Assembly, Front Row, Standard |
| | GA573758BK | | Disc Arm Assembly, Front Row, Heavy Duty |
| 5 | G1117991 | 1 | Flanged Hex Bolt, 3/4" x 1 1/2", Grade 8 (Apply Blue Loctite to Threads and Torque to 400 ft-lbs) |
| | G1118635 | 1 | Hardened Flat Washer, 25/32" I.D. x 2 1/4" O.D. |
| 6 | G1118279 | 4 | Hex Bolt, 1/2" x 1 1/2", Grade 8 |
| | G1118468 | 4 | Flanged Top Lock Nut, 1/2" |
| 7 | GD143556 | - | Straight Disc Blade, 20" |
| | GD143550 | - | Straight Disc Blade, 18" |
| | GD143553 | - | Double V Disc Blade, 20" |
| | GD143562 | - | Straight Disc Blade, 22" |
| | GD143566 | - | Double V Disc Blade, 22" |
| | GD143565 | - | Notched Disc Blade, 24" |
| | GD143577 | - | Double V Disc Blade, 26" |
| 8 | GA131415 | 1 | Disc Hub |
| | GR121082 | - | O-Ring (SKF) |
| | GR121080 | - | O-Ring (INA) |
| 9 | GA572406BK | 1 | Disc Arm, Back Row, Standard |
| | GA573757BK | | Disc Arm, Back Row, Heavy Duty |

This page left blank intentionally.

Mach Till 201



Mach Till 201 Heavy Duty

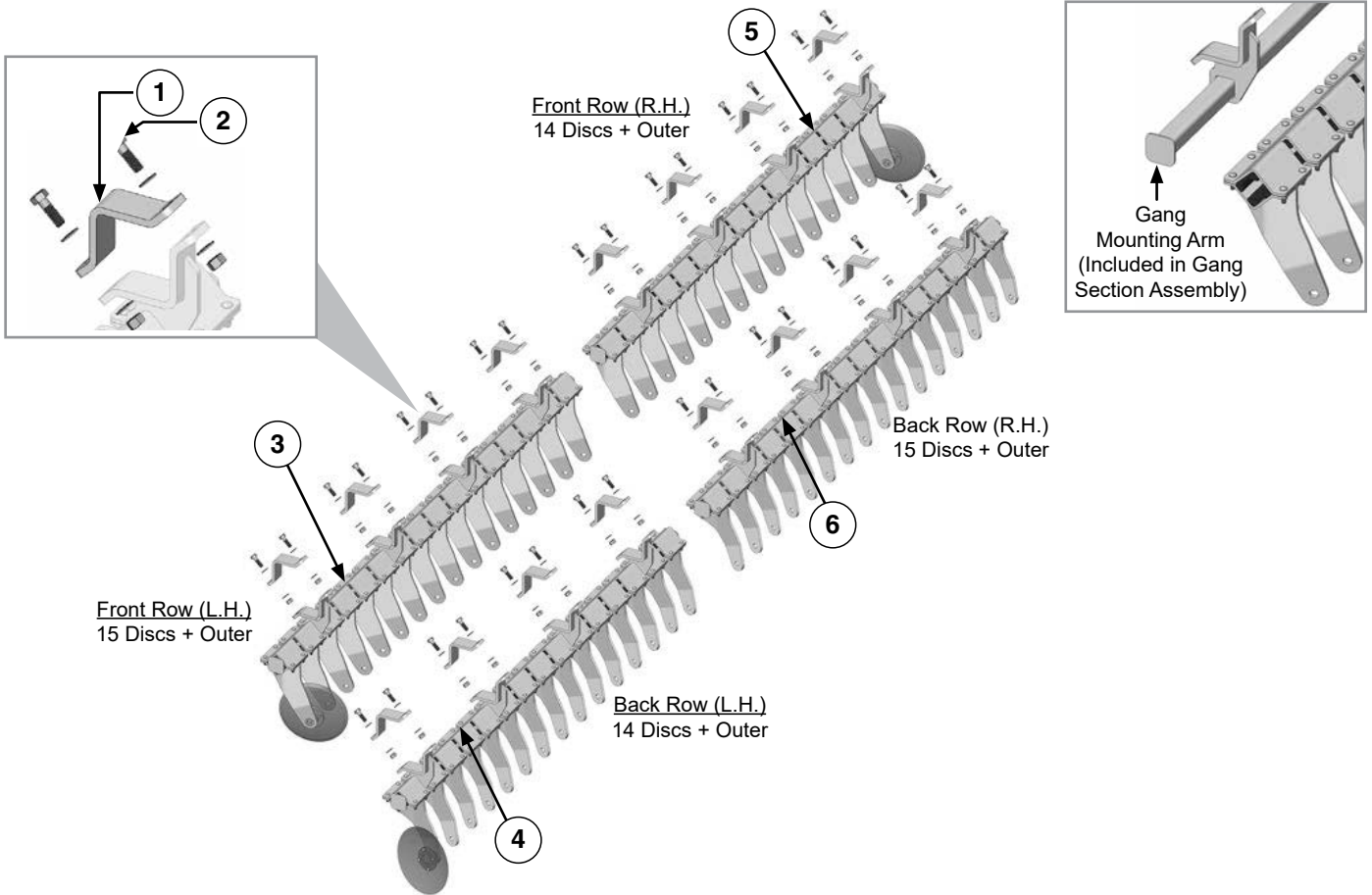


NOTE: See "Setting Gang Section Spacing - Overview" in Machine Operation for detailed instructions.

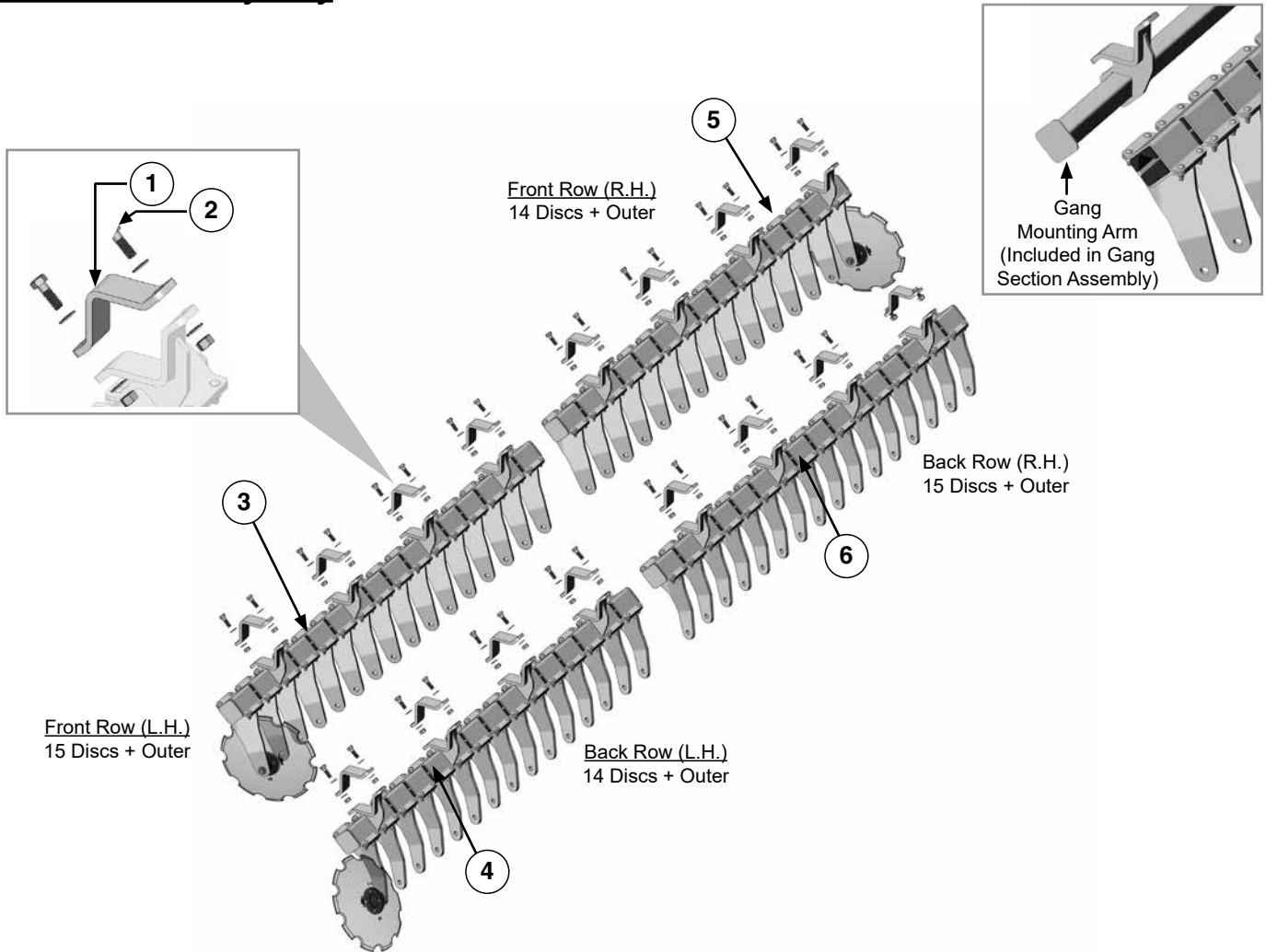
| Step 1 | |
|------------------|------------------|
| Standard | Heavy Duty |
| <u>20" Discs</u> | <u>22" Discs</u> |
| A = 9¼" | A = 9½" |
| B = 5½" | B = 5¼" |
| OR | OR |
| <u>22" Discs</u> | <u>24" Discs</u> |
| A = 9¾" | A = 9½" |
| B = 5¼" | B = 5¾" |
| | OR |
| | <u>26" Discs</u> |
| | A = 10" |
| | B = 4¾" |

| ITEM | PART NO. | QTY. | DESCRIPTION |
|------|------------|------|---|
| 1 | GD572891BK | 1 | V-Clamp Plate |
| 2 | G1118134 | 2 | Hex Bolt, 1" x 3", Grade 8 |
| | G1131020 | 4 | Flat Washer, 1" |
| | G1118911 | 2 | Lock Nut, 1" |
| 3 | A572907BK | 1 | Standard Gang, 12 Arm (Non-Stock Item) |
| | GA572910BK | 1 | Standard 3M Gang Mounting Arm |
| | A573770BK | 1 | Heavy Duty Gang, 12 Arm (Non-Stock Item) |
| | GA573774BK | 1 | Heavy Duty 3M Gang Mounting Arm |
| 4 | A572906BK | 1 | Standard Gang, 11 Arm (Non-Stock Item) |
| | GA572898BK | 1 | Standard 3M Gang Mounting Arm, Short, R.H. |
| | A573772BK | 1 | Heavy Duty Gang, 11 Arm (Non-Stock Item) |
| | GA573776BK | 1 | Heavy Duty 3M Gang Mounting Arm, Short, R.H. |
| 5 | A572905BK | 1 | Standard Gang, 11 Arm (Non-Stock Item) |
| | GA572897BK | 1 | Standard 3M Gang Mounting Arm, Short, L.H. |
| | A573771BK | 1 | Heavy Duty Gang, 11 Arm (Non-Stock Item) |
| | GA573775BK | 1 | Heavy Duty 3M Gang Mounting Arm, Short, L.H. |
| 6 | A572904BK | 1 | Standard Gang, 12 Arm (Non-Stock Item) |
| | GA572910BK | 1 | Standard 3M Gang Mounting Arm |
| | A573773BK | 1 | Heavy Duty Gang, 12 Arm (Non-Stock Item) |
| | GA573774BK | 1 | Heavy Duty 3M Gang Mounting Arm |

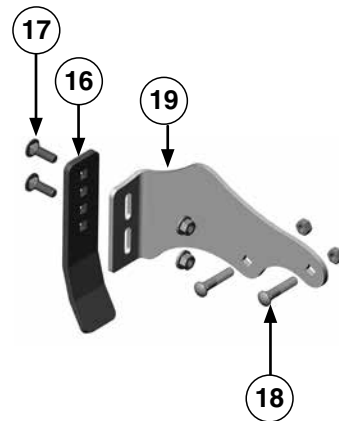
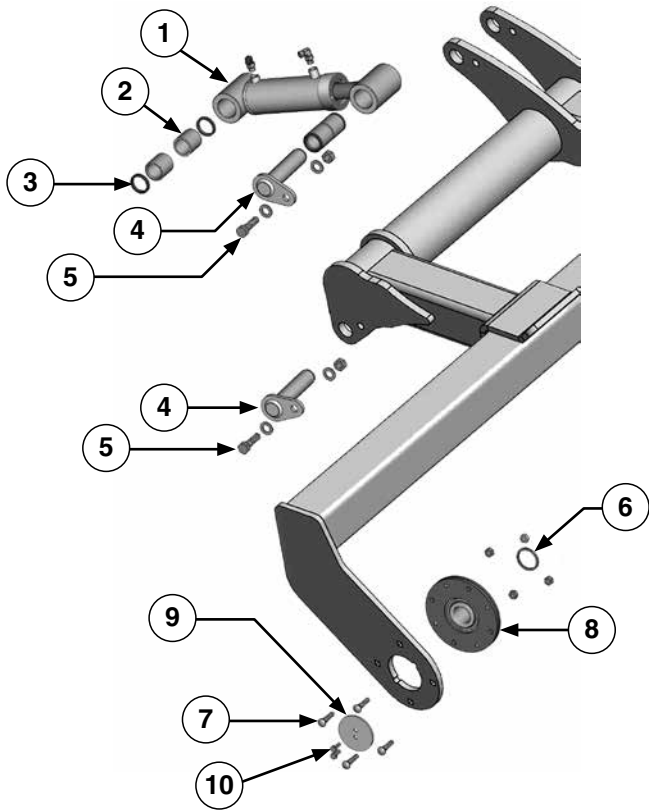
Mach Till 261



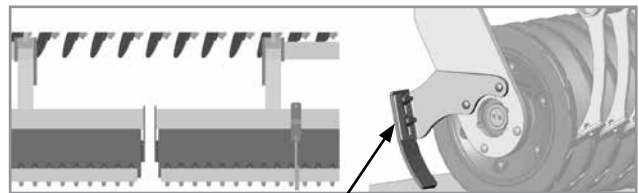
Mach Till 261 Heavy Duty



| ITEM | PART NO. | QTY. | DESCRIPTION |
|------|------------|------|---|
| 1 | GD572891BK | 1 | V-Clamp Plate |
| 2 | G1118134 | 2 | Hex Bolt, 1" x 3", Grade 8 |
| | G1131020 | 4 | Flat Washer, 1" |
| | G1118911 | 2 | Lock Nut, 1" |
| 3 | A572902BK | 1 | Standard Gang, 16 Arm (Non-Stock Item) |
| | GA572909BK | 1 | Standard 4M Gang Mounting Arm |
| | A573750BK | 1 | Heavy Duty Gang, 16 Arm (Non-Stock Item) |
| | GA573754BK | 1 | Heavy Duty 4M Gang Mounting Arm |
| 4 | A572901BK | 1 | Standard Gang, 15 Arm (Non-Stock Item) |
| | GA572895BK | 1 | Standard 4M Gang Mounting Arm, Short, L.H. |
| | A573751BK | 1 | Heavy Duty Gang, 15 Arm (Non-Stock Item) |
| | GA573755BK | 1 | Heavy Duty 4M Gang Mounting Arm, Short, L.H. |
| 5 | A572903BK | 1 | Standard Gang, 15 Arm (Non-Stock Item) |
| | GA572896BK | 1 | Standard 4M Gang Mounting Arm, Short, R.H. |
| | A573752BK | 1 | Heavy Duty Gang, 15 Arm (Non-Stock Item) |
| | GA573756BK | 1 | Heavy Duty 4M Gang Mounting Arm, Short, R.H. |
| 6 | A572900BK | 1 | Standard Gang, 16 Arm (Non-Stock Item) |
| | GA572909BK | 1 | Standard 4M Gang Mounting Arm |
| | A573753BK | 1 | Heavy Duty Gang, 16 Arm (Non-Stock Item) |
| | GA573754BK | 1 | Heavy Duty 4M Gang Mounting Arm |



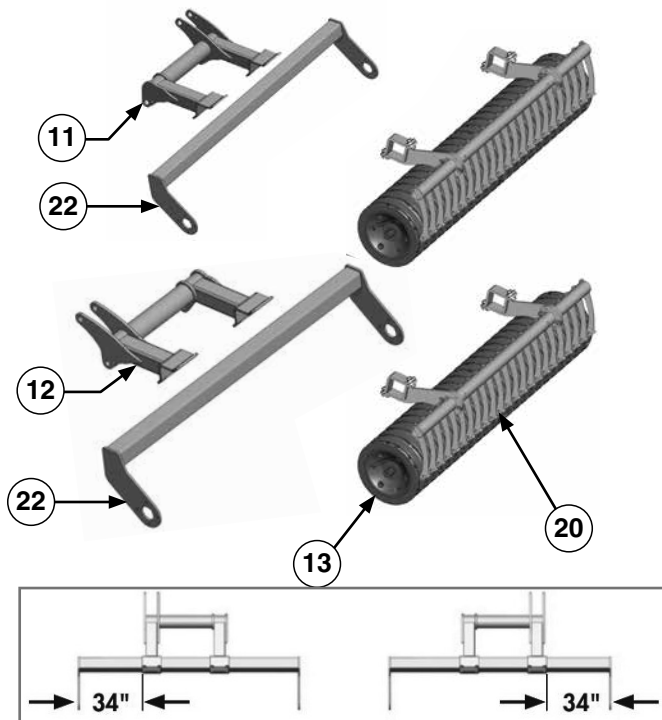
Shown Installed on L.H. End of R.H. Roller



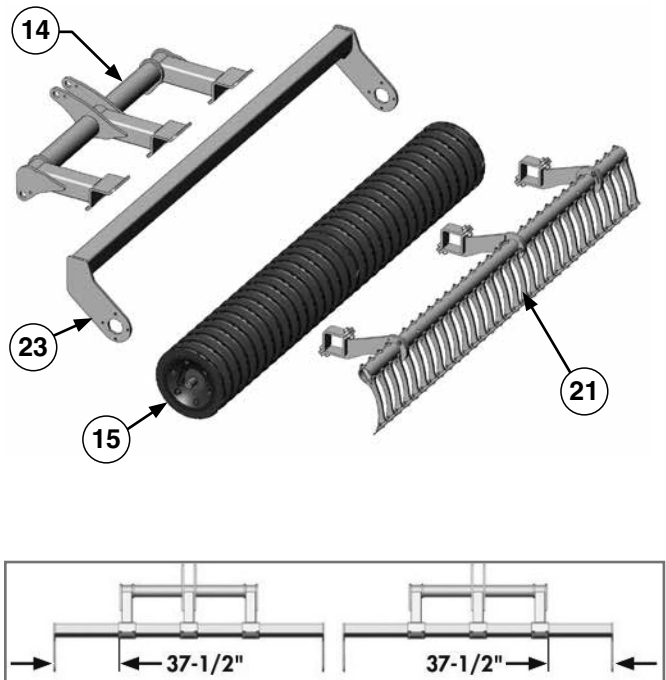
Initially set to highest setting as shown, then adjust lower as necessary until desired results are achieved.

NOTE: Setting too low can result in a trench or possibly cause plugging.

Roller Frame Components, Mach Till 201



Roller Frame Components, Mach Till 261



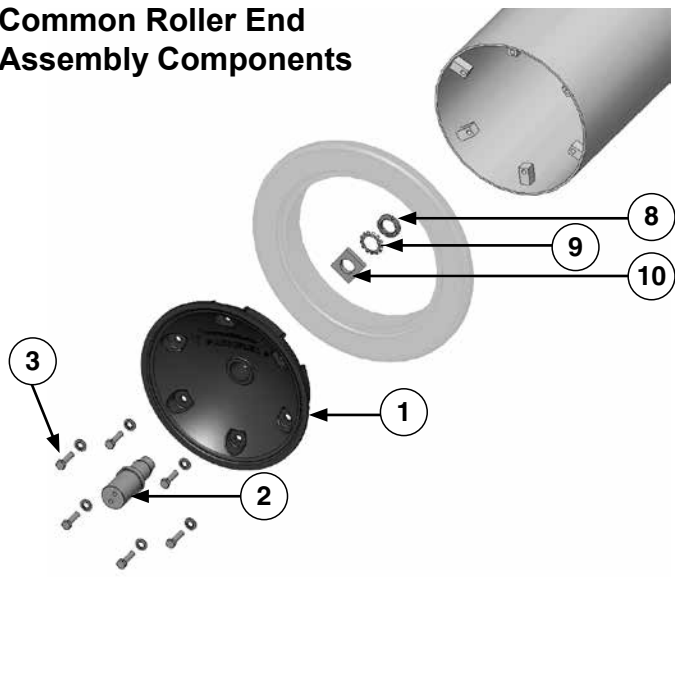
Roller Frame

M0284-02

Model 201/261

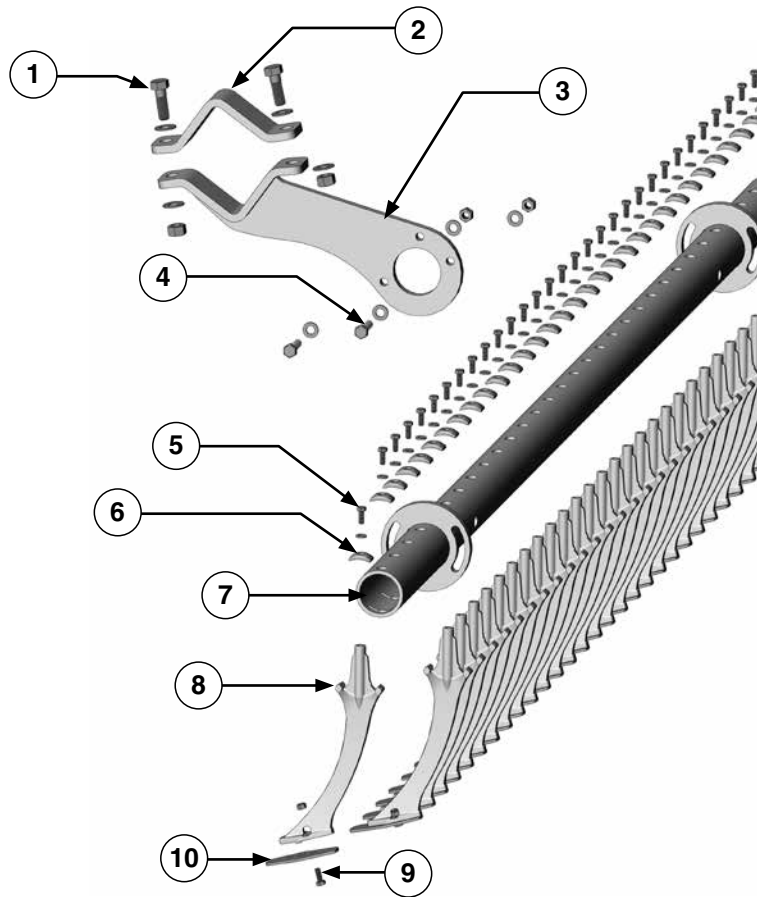
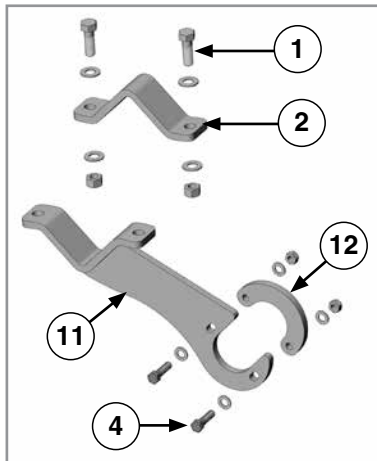
| ITEM | PART NO. | QTY. | DESCRIPTION |
|------|------------|------|---|
| 1 | GA27250 | 1 | Hydraulic Cylinder, 3¾" x 8" x 2" (Black Rod - Part Number Stamped on Barrel) |
| | GA123065BK | - | Hydraulic Cylinder, 3¾" x 8" x 2" (Chrome Rod) |
| | GR2385 | - | Seal Kit (Black Rod) |
| | GR123051 | - | Seal Kit (Chrome Rod) |
| 2 | GD117225 | 4 | Bushing, 2½" O.D. x 2" I.D. x 2½" |
| 3 | GD133135 | 4 | Wiper Seal |
| 4 | GD575195 | 3 | Pin, 2" x 9¼" |
| | GD575194 | 3 | Pin Plate |
| 5 | G1118767 | 3 | Hex Bolt, 7⁄8" x 3", Grade 8 |
| | G1118774 | 6 | Flat Washer, 7⁄8" |
| | G1117416 | 3 | Lock Nut, 7⁄8" |
| 6 | GD572786 | 2 | Roller Spacer |
| 7 | G1117579 | 8 | Carriage Bolt, 5⁄8" x 2½", Grade 8 |
| | G1118447 | 8 | Lock Nut, 5⁄8" |
| 8 | GD117171 | 2 | Bearing |
| | G1117172 | 1 | Bearing Insert |
| 9 | GD572428 | 2 | Washer, 2 Hole |
| 10 | G1118186 | 4 | Hex Bolt, ½" x 1¼", Grade 8 (Apply Blue Loctite to Threads, Torque to 80 ft lbs) |
| 11 | GA573611BU | 1 | Roller Wing Mount, R.H., Mach Till 201 |
| | GD573278BU | 2 | V-Clamp |
| | G1118134 | 8 | Hex Bolt, 1" x 3", Grade 8 |
| | G1131020 | 16 | Flat Washer, 1" |
| | G1118911 | 8 | Lock Nut, 1", UniTorque |
| 12 | GA573610BU | 1 | Roller Wing Mount, L.H., Mach Till 201 |
| | GD573278BU | 2 | V-Clamp |
| | G1118134 | 8 | Hex Bolt, 1" x 3", Grade 8 |
| | G1131020 | 16 | Flat Washer, 1" |
| | G1118911 | 8 | Lock Nut, 1", UniTorque |
| 13 | GA131845 | 2 | 3M Roller, Mach Till 201 |
| 14 | GA573612BU | 2 | Roller Wing Mount, Mach Till 261 |
| | GD573278BU | 6 | V-Clamp |
| | G1118134 | 24 | Hex Bolt, 1" x 3", Grade 8 |
| | G1131020 | 48 | Flat Washer, 1" |
| | G1118911 | 24 | Lock Nut, 1", UniTorque |
| 15 | GA131855 | 2 | 4M Roller, Mach Till 261 |
| 16 | GD573387BK | 1 | Ridge Wiper |
| 17 | G1118221 | 2 | Hex Bolt, 5⁄8" x 2" |
| | G1117581 | 2 | Flanged Top Lock Nut, 5⁄8" |
| 18 | G1117460 | 2 | Hex Bolt, 5⁄8" x 3", Grade 8 |
| | G1118447 | 2 | Lock Nut, 5⁄8" |
| 19 | GD573386BU | 1 | Ridge Wiper Mount |
| 20 | GA572976BK | 2 | 3M Max Life Scraper Section, Mach Till 201 |
| 21 | GA572977BK | 2 | 4M Max Life Scraper Section, Mach Till 261 |
| 22 | GA573305BU | 2 | Roller Frame, Mach Till 201 |
| 23 | GA573615BU | 2 | Roller Frame, Mach Till 261 |

Common Roller End Assembly Components



| ITEM | PART NO. | QTY. | DESCRIPTION |
|------|----------|------|---|
| 1 | GR131712 | 2 | End Plate |
| 2 | GR131717 | 2 | End Axle Shaft |
| 3 | GR131725 | 12 | Roller End Plate Washer |
| | GR117572 | 12 | Hex Bolt, M14 x 50 - 10.9 |
| 4 | GR131730 | 1 | 3M Tube Assembly (Mach Till 201) |
| | GR131816 | 1 | 4M Tube Assembly (Mach Till 261) |
| 5 | GR131848 | 2 | Middle Rubber Ring |
| 6 | GR131847 | - | Standard Rubber Ring (3M = Qty.: 20; 4M = Qty.: 28) |
| 7 | GR131846 | 2 | End Rubber Ring |
| 8 | GR131722 | 2 | Axle Lock Nut |
| 9 | GR131723 | 2 | Axle Lock Washer |
| 10 | GR131716 | 2 | Axle Key |

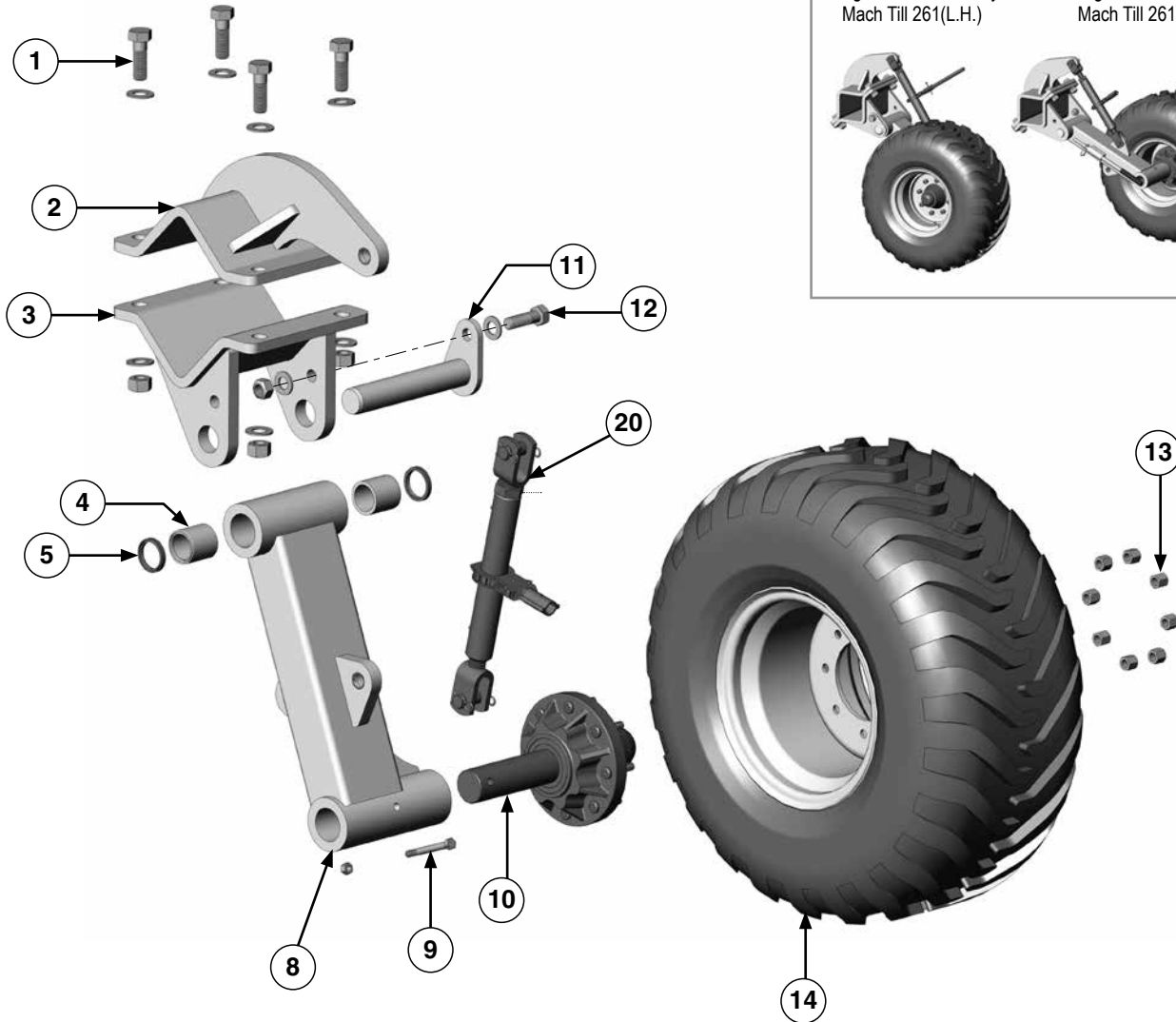
Scraper Assembly Center
Clamp (4m Only)



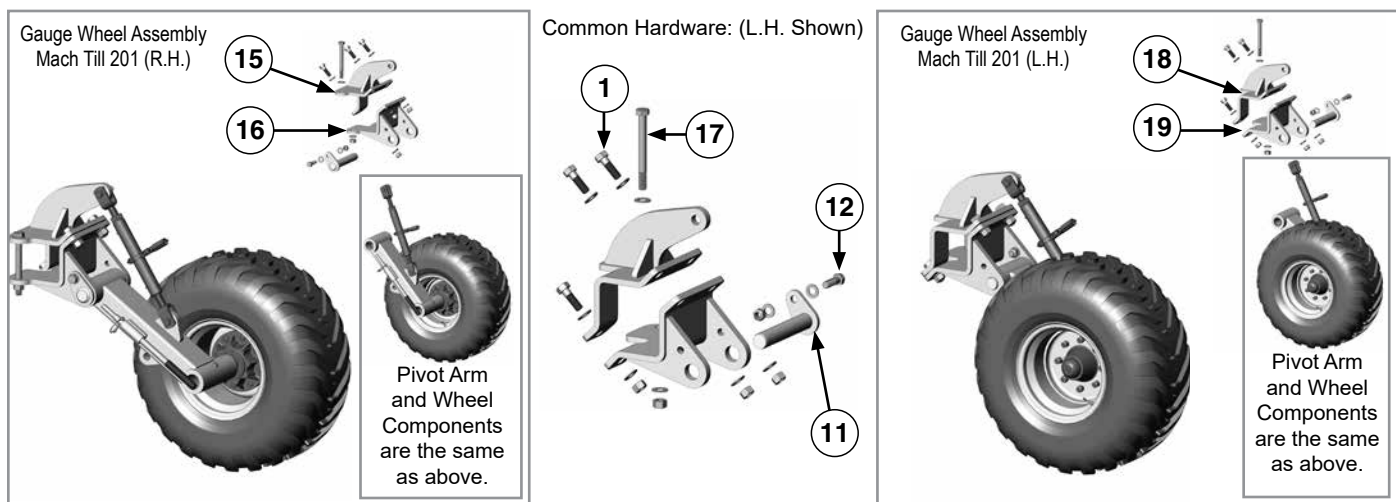
| ITEM | PART NO. | QTY. | DESCRIPTION |
|------|------------|------|--|
| 1 | G1118134 | 4 | Hex Bolt, 1" x 3", Grade 8 |
| | G1131020 | 8 | Flat Washer, 1" |
| | G1118911 | 4 | Lock Nut, 1" |
| 2 | GD572891BK | 2 | V-Clamp Plate |
| 3 | GA572962BK | 2 | Frame Mounting Arm |
| 4 | G1117486 | 4 | Hex Bolt, 3/4" x 2 3/4", Grade 8 |
| | G1118775 | 8 | Flat Washer, 3/4" |
| | G1117414 | 4 | Lock Nut, 3/4" |
| 5 | G1118186 | - | Hex Bolt, 1/2" x 1 1/4", Grade 8 (Apply Blue Loctite to Threads) |
| | G1117599 | - | Lock Washer, 1/2" |
| 6 | GD110067 | - | Scraper Washer |
| 7 | GA572936BK | 1 | 3M Scraper Mount |
| | GA572933BK | 1 | 4M Scraper Mount |
| 8 | GD110066BK | - | Scraper Mounting Arm |
| 9 | G1118186 | - | Hex Bolt, 1/2" x 1 1/4", Grade 8 |
| | G1118729 | - | Lock Nut, 1/2" |
| 10 | GD572957 | 1 | Max-Life Scraper Blade |
| | GD572649 | 46 | Max-Life Scraper Blade Package, Set of 46 (Mach Till 201) |
| | GD572650 | 62 | Max Life Scraper Blade Package, Set of 62 (Mach Till 261) |
| 11 | GD575584BK | 1 | Clamp, Support |
| 12 | GA575586BK | 1 | Clamp, Bolt Plate |

NOTE: Refer To "Torque Values Charts" and "Tire Pressure" in Lubrication and Maintenance Section of Operator Manual

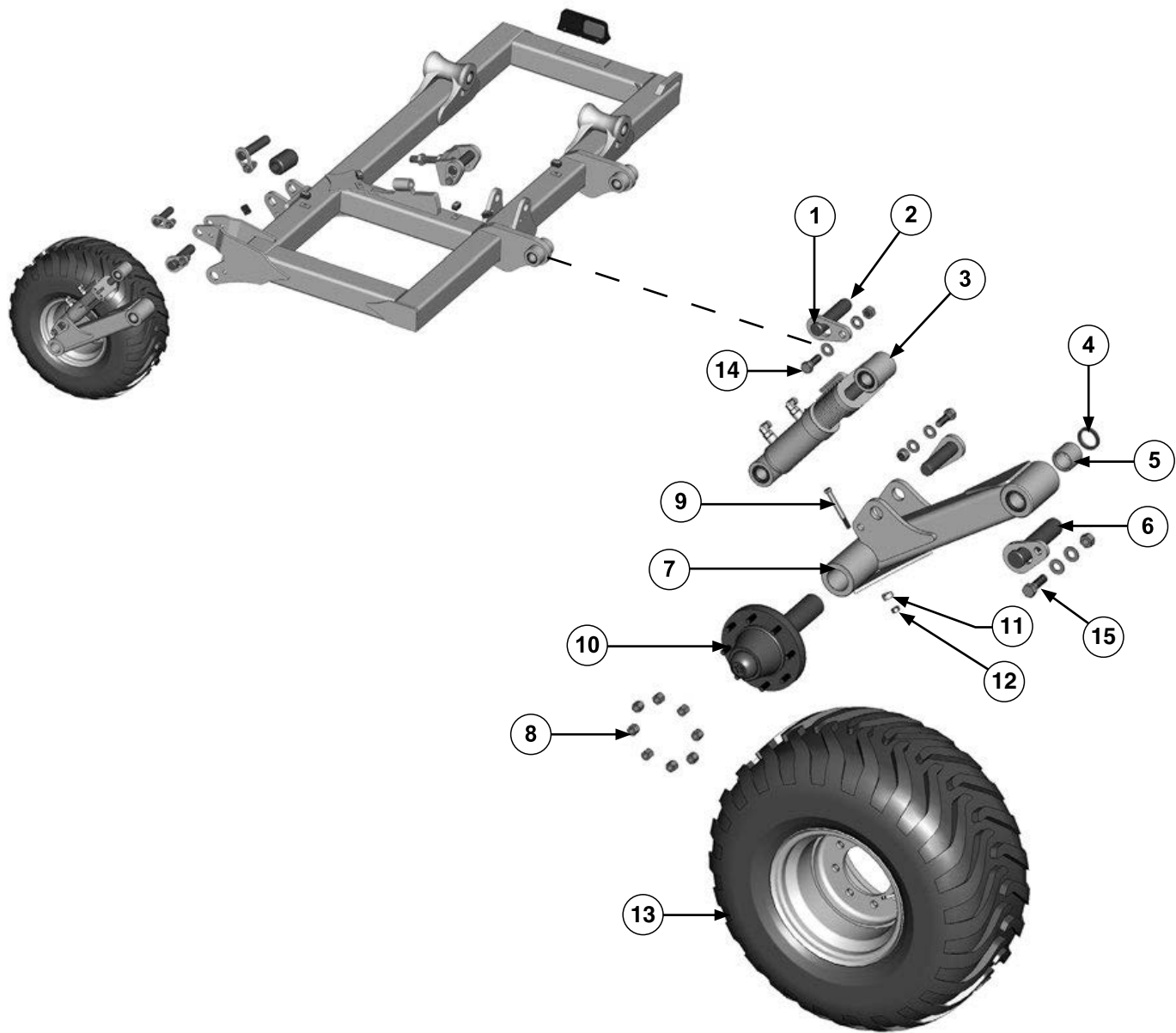
Mach Till 261



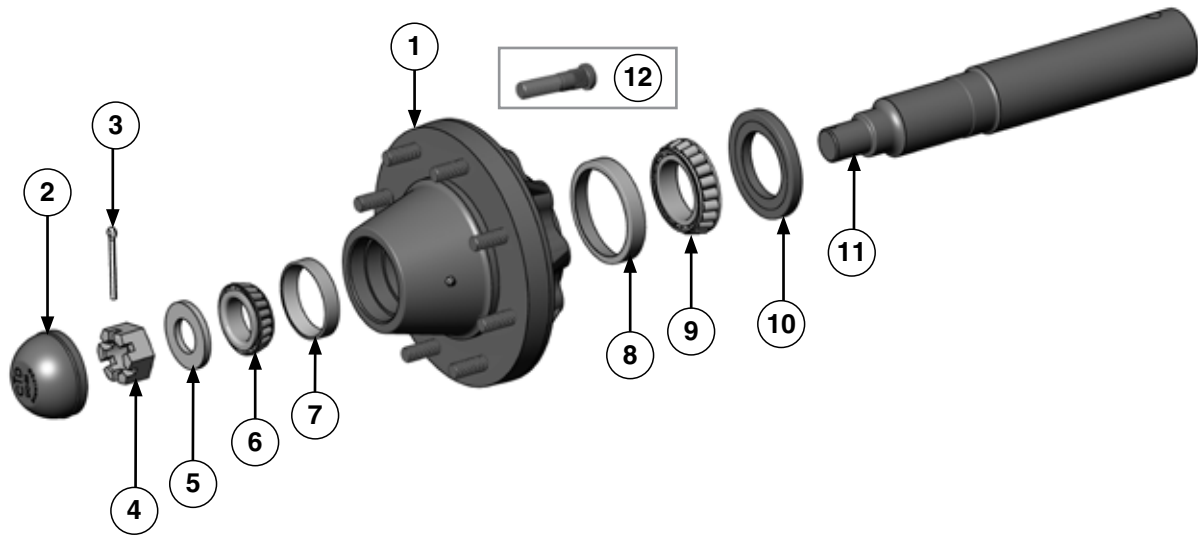
Mach Till 201



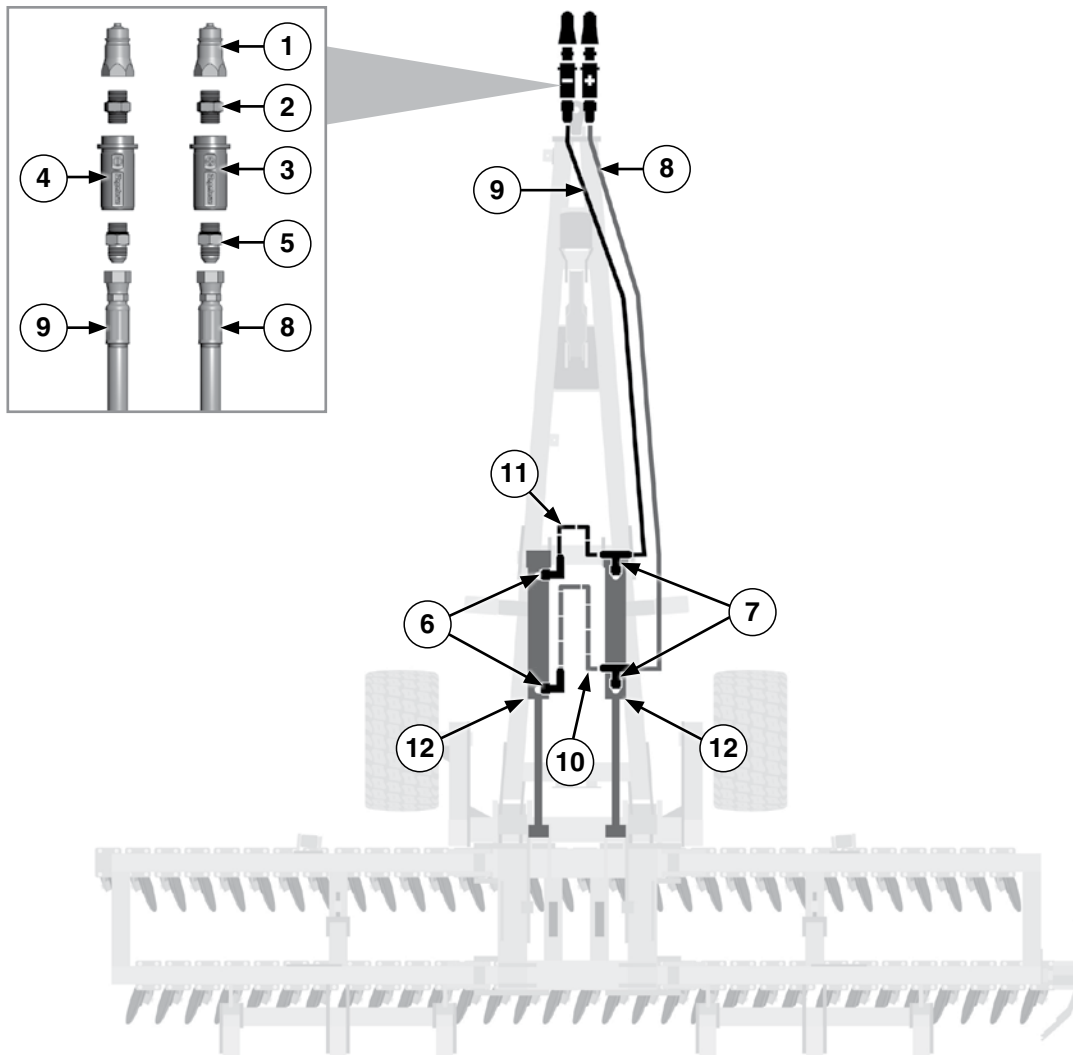
| ITEM | PART NO. | QTY. | DESCRIPTION |
|------|------------|------|--|
| 1 | G1118134 | 4 | Hex Bolt, 1" x 3", Grade 8 |
| | G1131020 | 8 | Flat Washer, 1" |
| | G1118911 | 4 | Lock Nut, 1" |
| 2 | GA573131BU | 1 | Jack V-Clamp |
| 3 | GA573156BU | 1 | Pivot Arm V-Clamp |
| 4 | GD117225 | 2 | Bushing, 2½" O.D. x 2" I.D. x 2½" |
| 5 | GD133135 | 2 | Wiper Seal |
| 6 | --- | --- | --- |
| 7 | --- | --- | --- |
| 8 | GA573155BU | 1 | Gauge Wheel Pivot Arm |
| 9 | G1118721 | 1 | Hex Bolt, ½" x 4½", Grade 8 |
| | GD242982 | 1 | Bushing |
| | G1118729 | 1 | Lock Nut, ½" |
| 10 | -- | - | See "Gauge Wheel Hub Assembly" on page P34 |
| 11 | GD575197 | 1 | Pin, 2" x 12¼" |
| | GD575194 | 1 | Pin Plate |
| 12 | G1118767 | 1 | Hex Bolt, 7/8" x 3", Grade 8 |
| | G1118774 | 2 | Flat Washer, 7/8" |
| | G1117416 | 1 | Lock Nut, 7/8" |
| 13 | G1131776 | 8 | Wheel Nut, 5/8", Grade 5 |
| 14 | GR131852 | 1 | Tire, 400/60-15.5 |
| | GR131853 | 1 | Rim |
| | GR131521 | 1 | Valve Stem |
| 15 | GA573169BU | 1 | Jack V-Clamp, R.H. |
| 16 | GA573168BU | 1 | Pivot Arm V-Clamp, R.H. |
| 17 | G1117407 | 1 | Hex Bolt, 1" x 9½", Grade 5 |
| | G1131020 | 8 | Flat Washer, 1" |
| 18 | GA573192BU | 1 | Jack V-Clamp, L.H. |
| 19 | GA573191BU | 1 | Pivot Arm V-Clamp, L.H. |
| 20 | GA132016 | 1 | Ratchet Jack |
| | GD572930 | 1 | Handle Grip, Black |
| A | GA131851GY | - | Wheel Assembly, L.H. (Includes Items: 14) |
| | GA131850GY | - | Wheel Assembly, R.H. (Includes Items: 14) |



| ITEM | PART NO. | QTY. | DESCRIPTION |
|------|----------------------------------|-------------|---|
| 1 | GD249950 | 2 | Pin Plate |
| 2 | GD249954 | 2 | Pin, 1½" x 6½" |
| 3 | GA27288 GA123740BK | 1 | Hydraulic Cylinder, 3" x 4" x 1½" (<i>Black Rod - Part Number Stamped on Barrel</i>) Hydraulic Cylinder, 3" x 4" x 1½" (<i>Chrome Rod</i>) |
| 4 | GD133135 | 2 | Wiper Seal |
| 5 | GD117225 | 2 | Bushing, 2½" O.D. x 2" I.D. x 2½" |
| 6 | GD575193 GD575194 | 1 1 | Pin, 2" x 7 ⁹ / ₁₆ " Pin Plate |
| 7 | GA573690BU GA573691BU | 1 1 | Arm Assembly, L.H. Arm Assembly, R.H. |
| 8 | G1131776 | 8 | Wheel Nut, 5/8", Grade 5 |
| 9 | G1118721 | 1 | Hex Bolt, ½" x 4½", Grade 8 |
| 10 | --- | 1 | See "Gauge Wheel Hub Assembly" on page P34 |
| 11 | GD242982 | 1 | Bushing |
| 12 | G1118729 | 1 | Lock Nut, ½" |
| 13 | GR131852 GR131853 GR131521 | 1 1 1 | Tire, 400/60-15.5 Rim Valve Stem |
| 14 | G1118743 G1118775 G1117414 | 2 4 2 | Bolt, ¾" x 2¼", Grade 5 Flat Washer, ¾" (M20) Lock Nut, ¾" |
| 15 | G1117416 G1118774 G1117426 | 1 2 1 | Lock Nut, 7/8" Flat Washer, 7/8" Bolt, 7/8" x 2¾", Grade 8 |
| A | GA131851GY GA131850GY | - - | Wheel Assembly, L.H. (Includes Items: 13) Wheel Assembly, R.H. (Includes Items: 13) |

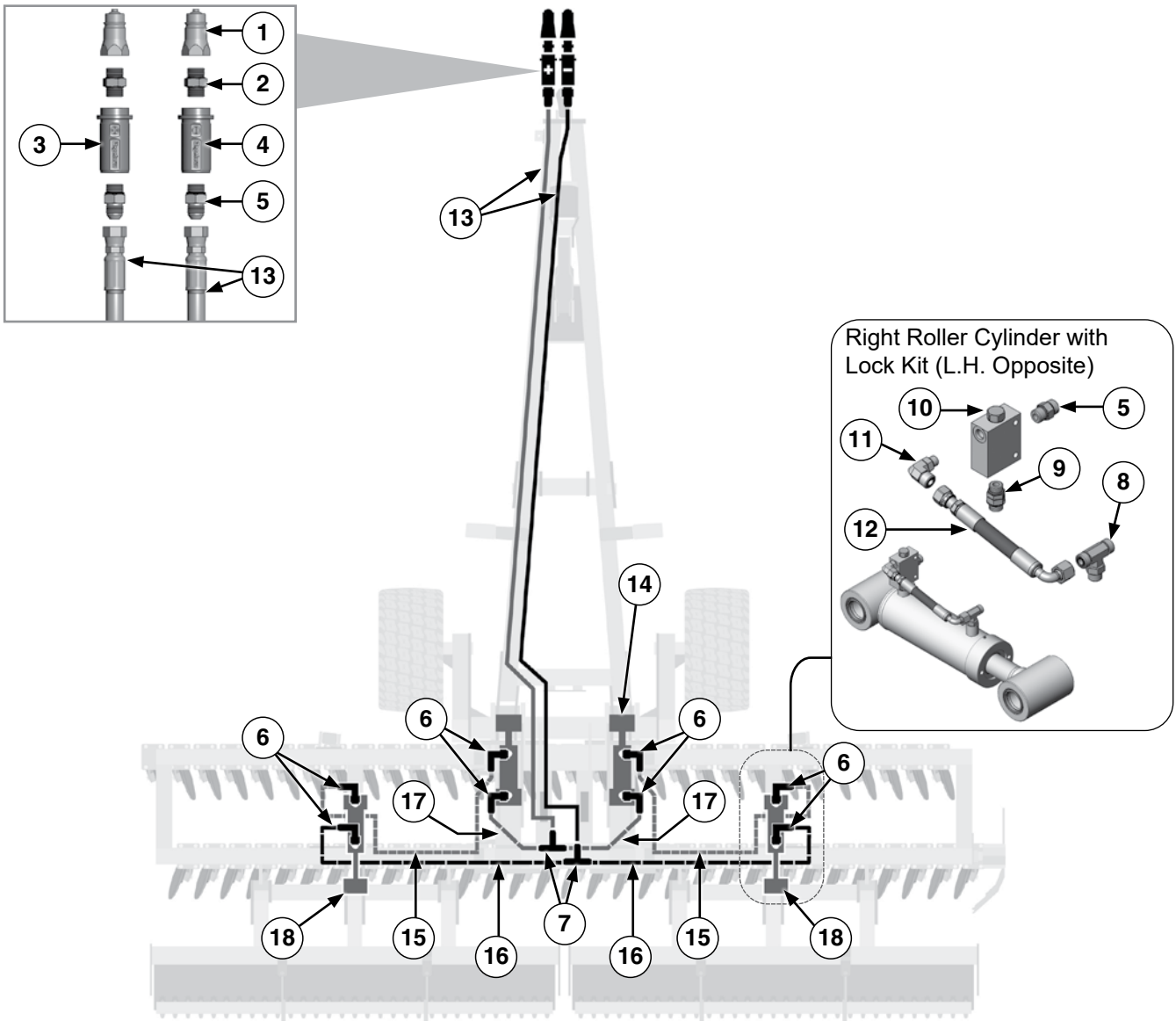


| ITEM | PART NO. | QTY. | DESCRIPTION |
|------|----------|------|-------------------------------------|
| 1 | GR131737 | 1 | Hub W/Cups |
| 2 | GR131739 | 1 | Hub Cap |
| 3 | GR117555 | 1 | Cotter Pin, 3/16" x 2 1/4" |
| 4 | GR131740 | 1 | Castle Nut, 1 1/4" |
| 5 | GR131741 | 1 | Flat Washer, 1 5/16" x 1/4" |
| 6 | GR131745 | 1 | Outer Bearing Cone |
| 7 | GR131746 | 1 | Outer Bearing Cup |
| 8 | GR131028 | 1 | Inner Bearing Cup |
| 9 | GR131744 | 1 | Inner Bearing Cone |
| 10 | GR131742 | 1 | Dust Seal |
| 11 | GR131736 | 1 | Spindle |
| 12 | GR131775 | - | Wheel Stud |
| A | GR131735 | - | Hub Assembly (Includes: Items 1-12) |



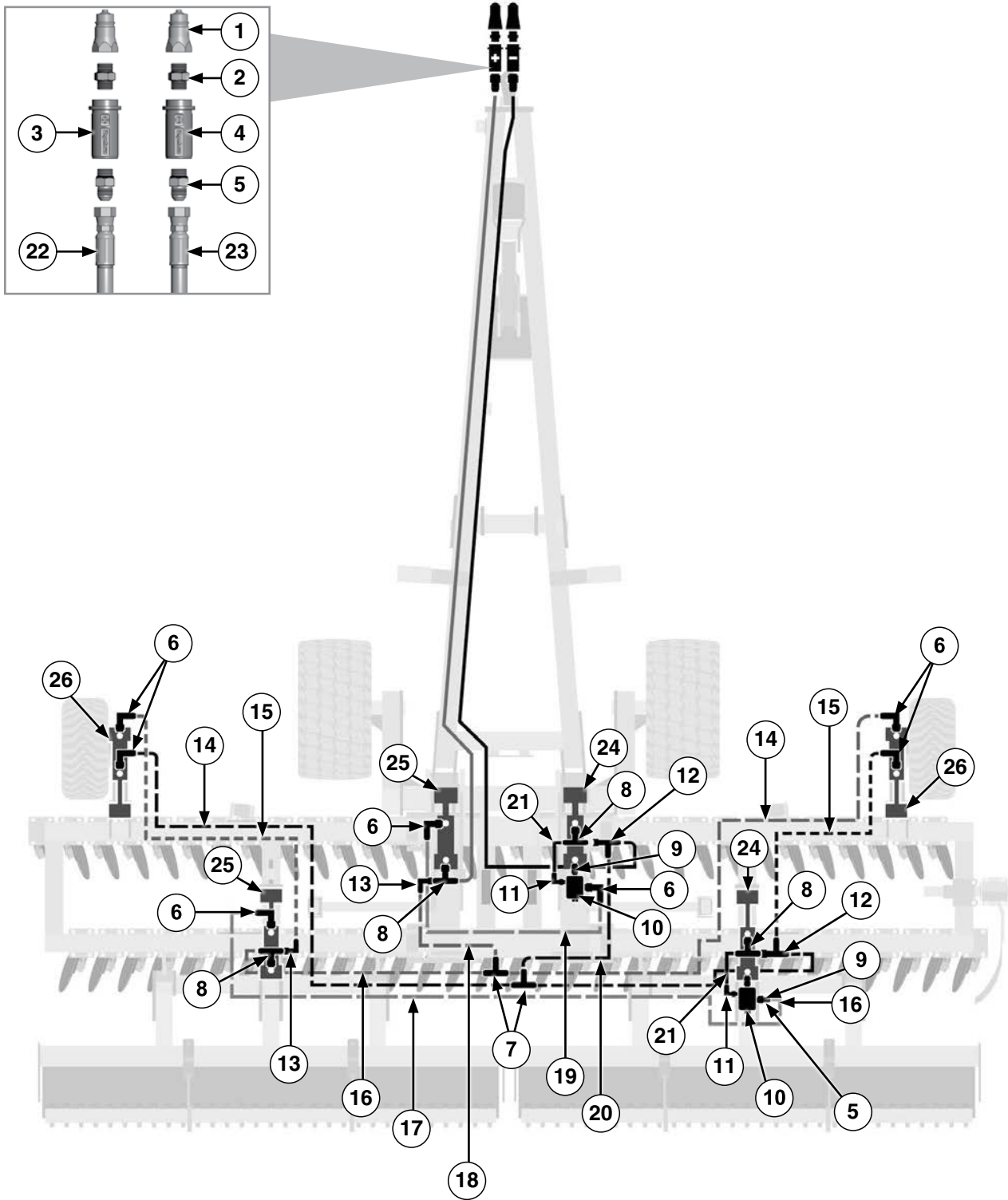
| ITEM | PART NO. | QTY. | DESCRIPTION |
|------|------------|------|---|
| 1 | GD141581 | 2 | Quick Coupler |
| 2 | GD141676 | 2 | Nipple |
| 3 | GD141686BU | 1 | Coupler, Brown (+) |
| 4 | GD141687BU | 1 | Coupler, Brown (-) |
| 5 | GD141703 | 2 | Adaptor, 1/2" ORB M x 1/2" ORFS M |
| 6 | GA141704 | 2 | 90° Elbow, 1/2" ORB M x 1/2" ORFS M |
| 7 | GD141707 | 2 | Tee, 1/2" ORFS M x 1/2" ORFS M x 1/2" ORB M |
| 8 | *A126720 | 1 | Hose Assembly, 3/8" x 254" (Mach Till 261) |
| | *A126716 | 1 | Hose Assembly, 3/8" x 206" (Mach Till 201) |
| 9 | *A126719 | 1 | Hose Assembly, 3/8" x 212" (Mach Till 261) |
| | *A126715 | 1 | Hose Assembly, 3/8" x 164" (Mach Till 201) |
| 10 | *A126714 | 1 | Hose Assembly, 3/8" x 140" |
| 11 | *A126713 | 1 | Hose Assembly, 3/8" x 56" |
| 12 | GA27253 | 2 | Hydraulic Cylinder, 5" x 40" x 2 1/2" (Black Rod - Part Number Stamped on Barrel) |
| | GA123068BK | - | Hydraulic Cylinder, 5" x 40" x 2 1/2" (Chrome Rod) |
| | GR2388 | - | Seal Kit (Black Rod) |
| | GR123069 | - | Seal Kit (Chrome Rod) |

*Hydraulic hose is not stocked by Kinze Repair Parts.



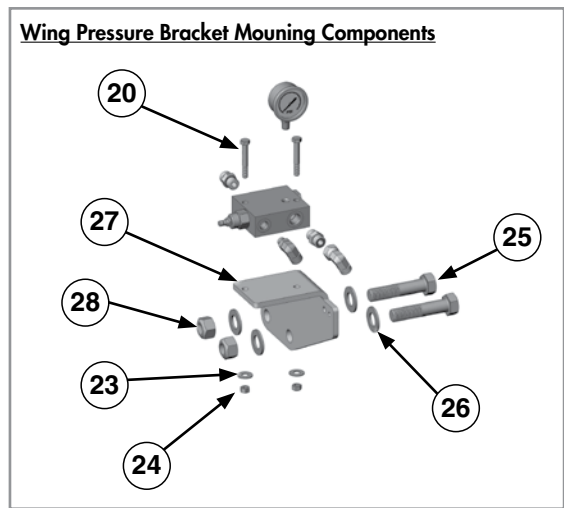
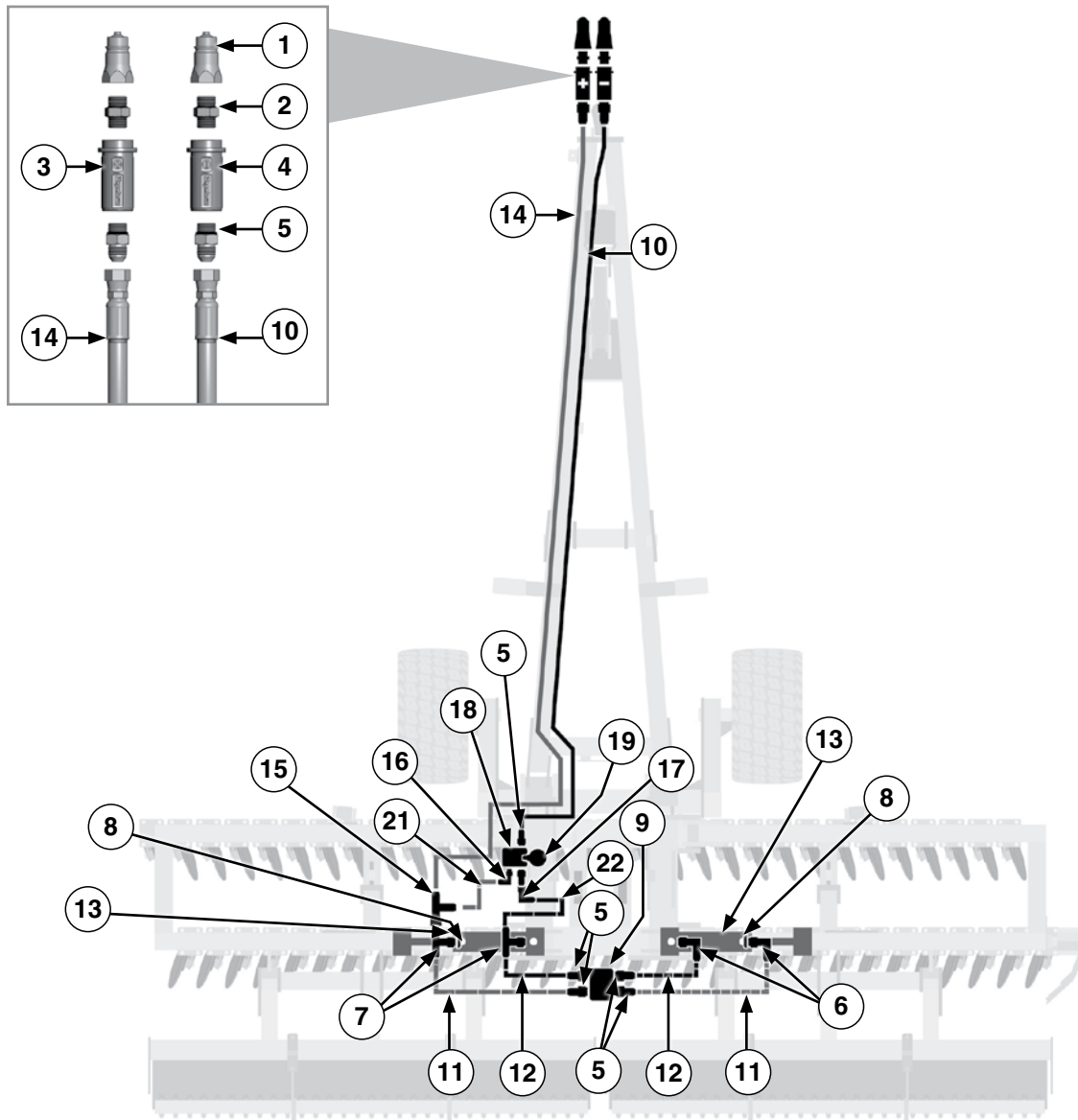
| ITEM | PART NO. | QTY. | DESCRIPTION |
|------|------------|------|--|
| 1 | GD141581 | 2 | Quick Coupler |
| 2 | GD141676 | 2 | Nipple |
| 3 | GD141684BU | 1 | Coupler, Green (+) |
| 4 | GD141685BU | 1 | Coupler, Green (-) |
| 5 | GD141703 | 4 | Adaptor, 1/2" ORB M x 1/2" ORFS M |
| 6 | GA141704 | 4 | 90° Elbow, 1/2" ORB M x 1/2" ORFS M |
| 7 | GD141706 | 2 | Tee, 1/2" ORFS |
| 8 | GD141707 | 2 | Nipple, 3/4" ORB Male x 3/4" ORB |
| 9 | GD141679 | 2 | Nipple, 3/4" ORB Male x 3/4" ORB |
| 10 | GD141735 | 2 | Hydraulic Check Valve |
| 11 | GA141711 | 2 | 90° Elbow, 1/2" ORFS M x 9/16" ORB M |
| 12 | *A126755 | 2 | Hose Assembly, 1/2" x 8 1/2" ORFS F-SW-1 EL |
| 13 | *A126721 | 2 | Hose Assembly, 3/8" x 370" (Mach Till 261) |
| | *A126717 | 2 | Hose Assembly, 3/8" x 322" (Mach Till 201) |
| 14 | GA27251 | 2 | Hydraulic Cylinder, 4 1/4" x 8" x 2" (Black Rod - Part Number Stamped on Barrel) |
| | GA123066BK | - | Hydraulic Cylinder, 4 1/4" x 8" x 2" (Chrome Rod) |
| | GR2386 | - | Seal Kit (Black Rod) |
| | GR123046 | - | Seal Kit (Chrome Rod) |
| 15 | *A126710 | 2 | Hose Assembly, 3/8" x 124" |
| 16 | *A126709 | 2 | Hose Assembly, 3/8" x 112" |
| 17 | *A126708 | 2 | Hose Assembly, 3/8" x 37" |
| 18 | GA27250 | 2 | Hydraulic Cylinder, 3 3/4" x 8" x 2" (Black Rod - Part Number Stamped on Barrel) |
| | GA123065BK | - | Hydraulic Cylinder, 3 3/4" x 8" x 2" (Chrome Rod) |
| | GR2385 | - | Seal Kit (Black Rod) |
| | GR123051 | - | Seal Kit (Chrome Rod) |

*Hydraulic hose is not stocked by Kinze Repair Parts.



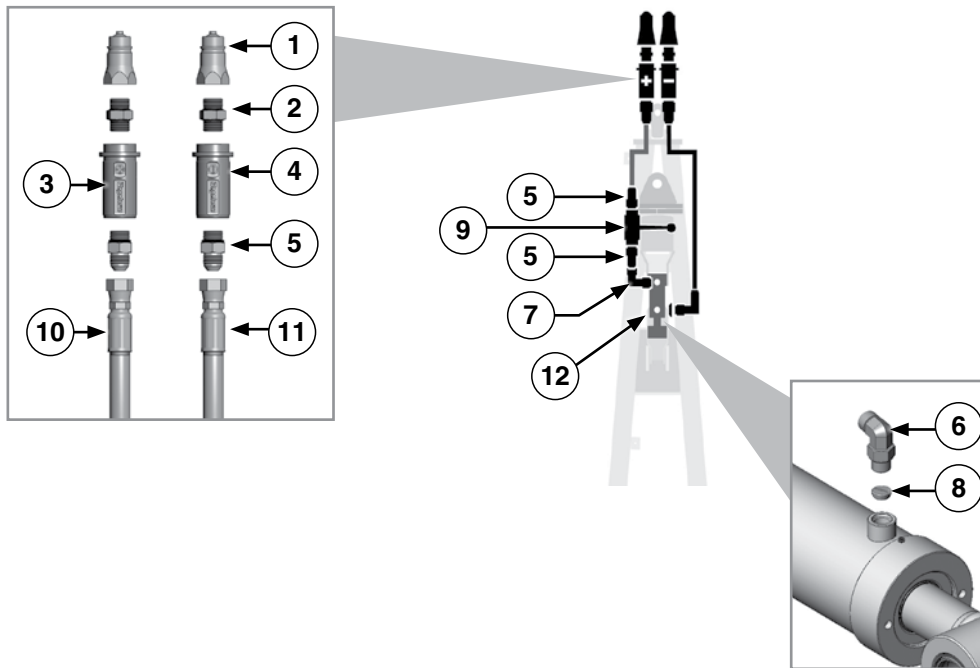
| ITEM | PART NO. | QTY. | DESCRIPTION |
|------|------------|------|--|
| 1 | GD141581 | 2 | Quick Coupler |
| 2 | GD141676 | 2 | Nipple |
| 3 | GD141684BU | 1 | Coupler, Green (+) |
| 4 | GD141685BU | 1 | Coupler, Green (-) |
| 5 | GD141703 | 4 | Adaptor, 1/2" ORB M x 1/2" ORFS M |
| 6 | GA141704 | 4 | 90° Elbow, 1/2" ORB M x 1/2" ORFS M |
| 7 | GD141706 | 2 | Tee, 1/2" ORFS |
| 8 | GD141707 | 2 | Nipple, 3/4" ORB Male x 3/4" ORB |
| 9 | GD141679 | 2 | Nipple, 3/4" ORB Male x 3/4" ORB |
| 10 | GD141735 | 2 | Hydraulic Check Valve |
| 11 | GA141711 | 2 | 90° Elbow, 1/2" ORFS M x 9/16" ORB M |
| 12 | GD141727 | 2 | Tee, 1/2" ORFS M x F-SW x M |
| 13 | GD141715 | 2 | 90° Elbow, 1/2" ORFS M x ORFS F-SW |
| 14 | *A126917 | 2 | Hose Assembly, 3/8" x 322" (Mach Till 261) |
| | *A126920 | 2 | Hose Assembly, 3/8" x 177" (Mach Till 201) |
| 15 | *A126915 | 2 | Hose Assembly, 3/8" x 128" (Mach Till 261) |
| | *A126919 | 2 | Hose Assembly, 3/8" x 109" (Mach Till 201) |
| 16 | *A126914 | 2 | Hose Assembly, 3/8" x 118" |
| 17 | *A126916 | 1 | Hose Assembly, 3/8" x 237" |
| 18 | *A126911 | 1 | Hose Assembly, 3/8" x 39" |
| 19 | *A126913 | 1 | Hose Assembly, 3/8" x 91" |
| 20 | *A126912 | 1 | Hose Assembly, 3/8" x 47" |
| 21 | *A126755 | 1 | Hose Assembly, 3/8" x 8" |
| 22 | *A126721 | 1 | Hose Assembly, 3/8" x 370" (Mach Till 261) |
| | *A126717 | 1 | Hose Assembly, 3/8" x 322" (Mach Till 201) |
| 23 | *A126918 | 1 | Hose Assembly, 3/8" x 420" (Mach Till 261) |
| | *A126721 | 1 | Hose Assembly, 3/8" x 370" (Mach Till 201) |
| 24 | GA27250 | 2 | Hydraulic Cylinder, 3 3/4" x 8" x 2" (Black Rod - Part Number Stamped on Barrel) |
| | GA123065BK | - | Hydraulic Cylinder, 3 3/4" x 8" x 2" (Chrome Rod) |
| | GR2385 | - | Seal Kit (Black Rod) |
| | GR123051 | - | Seal Kit (Chrome Rod) |
| 25 | GA27254 | 2 | Hydraulic Cylinder, 4 1/4" x 8" x 2" (Black Rod - Part Number Stamped on Barrel) |
| | GA123075BK | - | Hydraulic Cylinder, 4 1/4" x 8" x 2" (Chrome Rod) |
| | GR2386 | - | Seal Kit (Black Rod) |
| | GR123046 | - | Seal Kit (Chrome Rod) |
| 26 | GA27288 | 2 | Hydraulic Cylinder, 3" x 4" x 1 1/2" (Black Rod - Part Number Stamped on Barrel) |
| | GA123740BK | - | Hydraulic Cylinder, 3" x 4" x 1 1/2" (Chrome Rod) |
| | GR2390 | - | Seal Kit (Black Rod) |
| | GR123740 | - | Seal Kit (Chrome Rod) |

*Hydraulic hose is not stocked by Kinze Repair Parts.



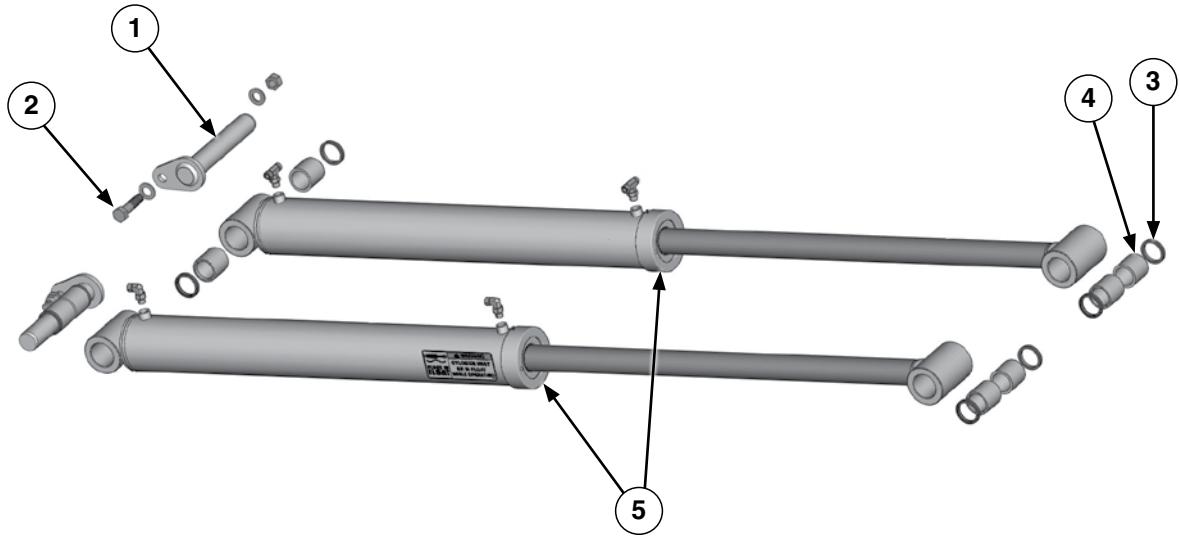
| ITEM | PART NO. | QTY. | DESCRIPTION |
|------|------------|------|---|
| 1 | GD141581 | 2 | Quick Coupler |
| 2 | GD141676 | 2 | Nipple |
| 3 | GD141682BU | 1 | Coupler, Blue (+) |
| 4 | GD141683BU | 1 | Coupler, Blue (-) |
| 5 | GD141703 | 8 | Adaptor, 1/2" ORB M x 1/2" ORFS M |
| 6 | GA141704 | 2 | 90° Elbow, 1/2" ORB M x 1/2" ORFS M |
| 7 | GD141707 | 2 | Tee, 1/2" ORFS M x 1/2" ORFS M x 1/2" ORB M |
| 8 | GD122668 | 2 | Orifice, 3/4"-16 |
| 9 | GA141524 | 1 | Relief Valve, 2000 PSI |
| 10 | *A126721 | 1 | Hose Assembly, 3/8" x 370" (Mach Till 261) |
| | *A126717 | 1 | Hose Assembly, 3/8" x 322" (Mach Till 201) |
| 11 | *A126712 | 2 | Hose Assembly, 3/8" x 50" |
| 12 | *A126707 | 2 | Hose Assembly, 3/8" x 32" |
| 13 | GA27252 | 2 | Hydraulic Cylinder, 4" x 20" x 2" (Black Rod - Part Number Stamped on Barrel) |
| | GA123067BK | - | Hydraulic Cylinder, 4" x 20" x 2" (Chrome Rod) |
| | GR2387 | - | Seal Kit (Black Rod) |
| | GR123049 | - | Seal Kit (Chrome Rod) |
| 14 | *A126722 | 1 | Hose Assembly, 3/8" x 388" (Mach Till 261) |
| | *A126718 | 1 | Hose Assembly, 3/8" x 344" (Mach Till 201) |
| 15 | GD141727 | 1 | Tee, No. 8 ORFS M x F-SW x M Parker, No. 8R6LOS |
| 16 | GA141711 | 1 | 90° Elbow, 1/2" ORFS M x 9/16" ORB M |
| 17 | GD141715 | 1 | 90° Elbow, 1/2" ORFS M x ORFS F-SW |
| 18 | GA141740 | 1 | Reducing Relieving Valve Assembly |
| 19 | GA27098 | 1 | Pressure Gauge, 0-3000 PSI |
| 20 | G10049 | 2 | Hex Head Cap Screw, 3/8"-16 x 2 1/2" |
| 21 | *A126796 | 1 | Hose Assembly, 3/8" x 52" |
| 22 | *A126797 | 1 | Hose Assembly, 3/8" x 26" |
| 23 | G1118511 | 2 | Flat Washer, 3/8" |
| 24 | G1118417 | 2 | Lock Nut, 3/8", Grade 5 |
| 25 | G1117474 | 2 | Hex Bolt, 7/8" x 4", Grade 8 |
| 26 | G1118774 | 4 | Flat Washer, 7/8" |
| 27 | GD573619BU | 1 | Pressure Valve Mount |
| 28 | G1117416 | 2 | Lock Nut, 7/8" |

*Hydraulic hose is not stocked by Kinze Repair Parts.



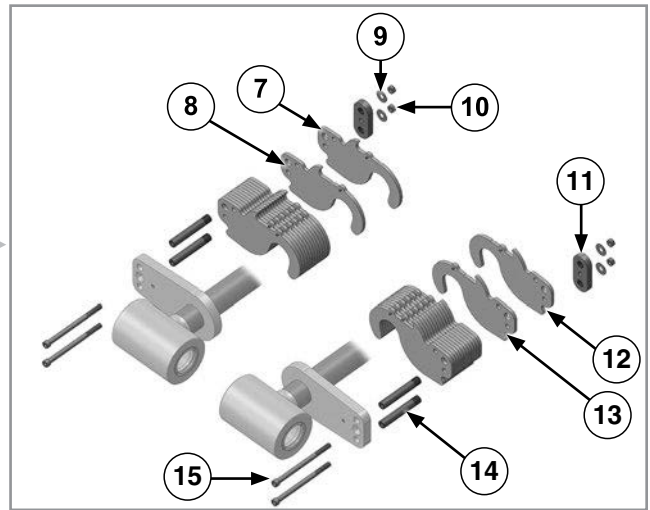
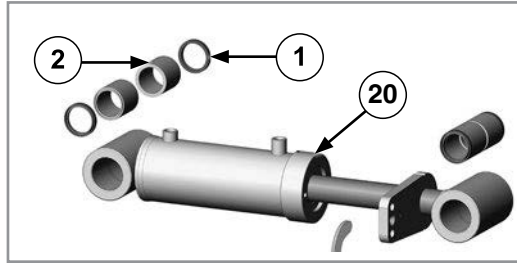
| ITEM | PART NO. | QTY. | DESCRIPTION |
|------|------------|------|--|
| 1 | GD141581 | 2 | Quick Coupler |
| 2 | GD141676 | 2 | Nipple |
| 3 | GD141688BU | 1 | Coupler, Black (+) |
| 4 | GD141689BU | 1 | Coupler, Black (-) |
| 5 | GD141703 | 4 | Adaptor, 1/2" ORB M x 1/2" ORFS M |
| 6 | GA141704 | 1 | 90° Elbow, 1/2" ORB M x 1/2" ORFS M |
| 7 | GA141705 | 1 | 90° Elbow, 1/2" ORB M x 1/2" ORFS F-SW |
| 8 | GD122668 | 1 | Orifice, 3/4"-16 |
| 9 | GA141597 | 1 | Ball Valve, 7250 PSI |
| 10 | *A126709 | 1 | Hose Assembly, 3/8" x 112" |
| 11 | *A126710 | 1 | Hose Assembly, 3/8" x 124" |
| 12 | GA27257 | 1 | Hydraulic Cylinder, 4" x 8" x 2" (Black Rod - Part Number Stamped on Barrel) |
| | GA123412BK | - | Hydraulic Cylinder, 4" x 8" x 2" (Chrome Rod) |
| | GR2387 | - | Seal Kit (Black Rod) |
| | GR123049 | - | Seal Kit (Chrome Rod) |

*Hydraulic hose is not stocked by Kinze Repair Parts.

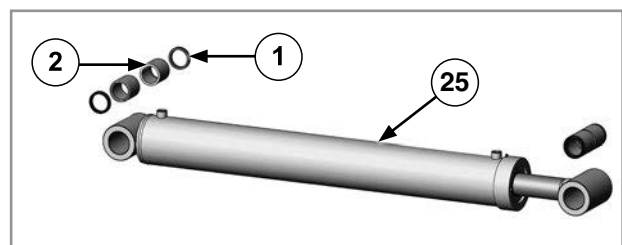
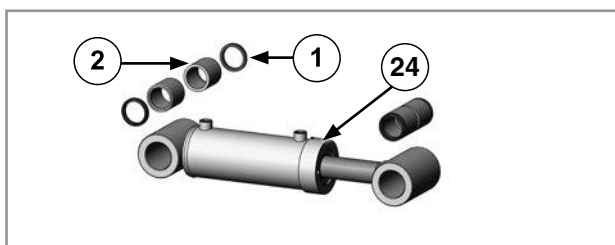
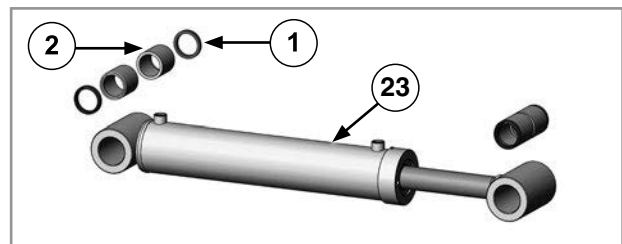
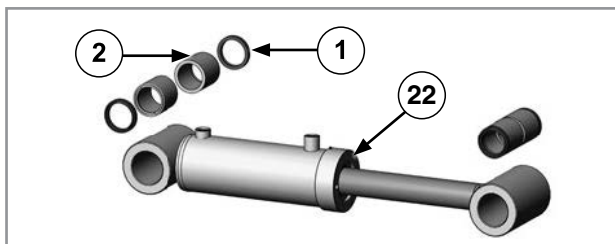
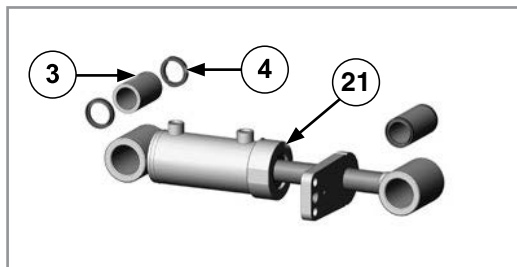
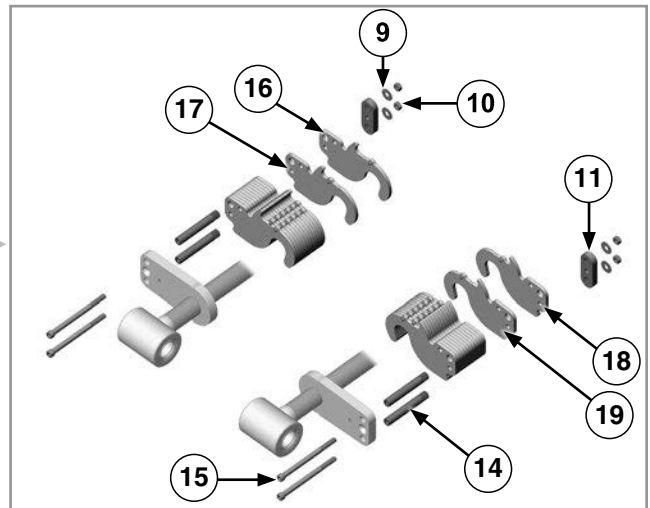
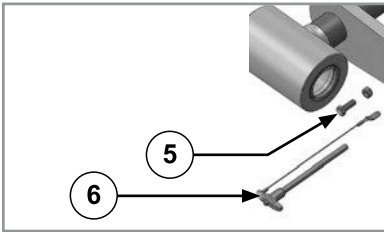


| ITEM | PART NO. | QTY. | DESCRIPTION |
|------|------------|------|--|
| 1 | GD575197 | 2 | Pin, 2" x 12¼" |
| | GD575194 | 2 | Pin Plate |
| 2 | G1118767 | 2 | Hex Bolt, 7/8" x 3" |
| | G1118774 | 4 | Flat Washer, 7/8" |
| | G1117416 | 2 | Lock Nut, 7/8" |
| 3 | GD133135 | 8 | Wiper Seal |
| 4 | GD117225 | 8 | Bushing, 2½" O.D. x 2" I.D. x 2½" |
| 5 | GA27253 | 2 | Hydraulic Cylinder, 5" x 40" x 2½" (Black Rod - Part Number Stamped on Barrel) |
| | GA123068BK | - | Hydraulic Cylinder, 5" x 40" x 2½" (Chrome Rod) |
| | GR2388 | - | Seal Kit (Black Rod) |
| | GR123069 | - | Seal Kit (Chrome Rod) |

Rock Shaft Cylinder

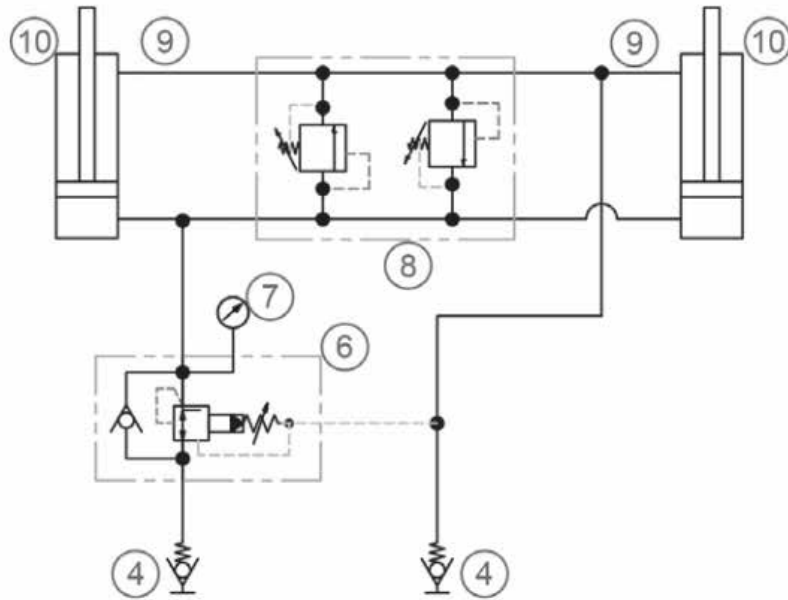


Depth Stop Pin

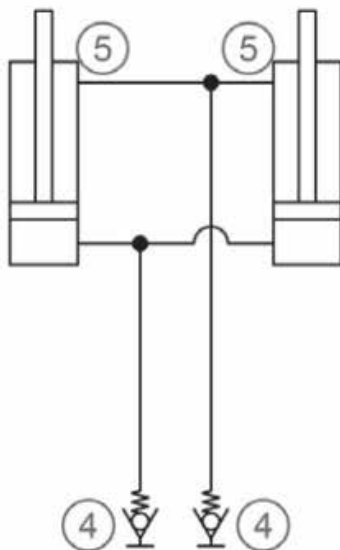


| ITEM | PART NO. | QTY. | DESCRIPTION |
|------|------------|------|---|
| 1 | GD133135 | - | Wiper Seal, 2½" O.D. |
| 2 | GD117225 | - | Bushing, 2½" O.D. x 2½" |
| 3 | GD117240 | - | Bushing, 2" O.D. x 3⅝" |
| 4 | GD133134 | - | Wiper Seal, 2" O.D. |
| 5 | G1118403 | - | Nut, ⅜" |
| | G1118005 | - | Bolt, ⅜" x 1" |
| 6 | GA117589 | - | Self-Locking Pin, ⅜" x 5" |
| 7 | GA573458 | - | Depth Stop, Inner Pin |
| 8 | GA573457 | - | Depth Stop, Outer Pin |
| 9 | G1118511 | - | Flat Washer, ⅜" |
| 10 | G1118417 | - | Lock Nut, ⅜", Grade 5 |
| 11 | GD573599 | - | Threaded Bushing Plate |
| 12 | GA573456 | - | Depth Stop, Inner Pin |
| 13 | GA573455 | - | Depth Stop, Outer Pin |
| 14 | GD573598 | - | Spacer Bushing |
| 15 | G1117626 | - | Bolt, ⅜" x 5½" |
| 16 | GA573682 | - | Depth Stop, Inner Pin |
| 17 | GA573685 | - | Depth Stop, Outer Pin |
| 18 | GA573683 | - | Depth Stop, Inner Pin |
| 19 | GA573686 | - | Depth Stop, Outer Pin |
| 20 | GA27254 | - | Hydraulic Cylinder, 4¼" x 8" x 2" (<i>Black Rod - Part Number Stamped on Barrel</i>) |
| | GA123075BK | - | Hydraulic Cylinder, 4¼" x 8" x 2" (<i>Chrome Rod</i>) |
| | GR2386 | - | Seal Kit (Black Rod) |
| | GR123046 | - | Seal Kit (Chrome Rod) |
| 21 | GA27288 | - | Hydraulic Cylinder, 3" x 4" x 1½" (<i>Black Rod - Part Number Stamped on Barrel</i>) |
| | GA123740BK | - | Hydraulic Cylinder, 3" x 4" x 1½" (<i>Chrome Rod</i>) |
| | GR2390 | - | Seal Kit (Black Rod) |
| | GR123665 | - | Seal Kit (Chrome Rod) |
| 22 | GA27250 | - | Hydraulic Cylinder, 3¾" x 8" x 2" (<i>Black Rod - Part Number Stamped on Barrel</i>) |
| | GA123065BK | - | Hydraulic Cylinder, 3¾" x 8" x 2" (<i>Chrome Rod</i>) |
| | GR2385 | - | Seal Kit (Black Rod) |
| | GR123051 | - | Seal Kit (Chrome Rod) |
| 23 | GA27252 | - | Hydraulic Cylinder, 4" x 20" x 2" (<i>Black Rod - Part Number Stamped on Barrel</i>) |
| | GA123067BK | - | Hydraulic Cylinder, 4" x 20" x 2" (<i>Chrome Rod</i>) |
| | GR2387 | - | Seal Kit (Black Rod) |
| | GR123049 | - | Seal Kit (Chrome Rod) |
| 24 | GA27257 | - | Hydraulic Cylinder, 4" x 8" x 2" (<i>Black Rod - Part Number Stamped on Barrel</i>) |
| | GA123412BK | - | Hydraulic Cylinder, 4" x 8" x 2" (<i>Chrome Rod</i>) |
| | GR2387 | - | Seal Kit (Black Rod) |
| | GR123049 | - | Seal Kit (Chrome Rod) |
| 25 | GA27253 | - | Hydraulic Cylinder, 5" x 40" x 2½" (<i>Black Rod - Part Number Stamped on Barrel</i>) |
| | GA123068BK | - | Hydraulic Cylinder, 5" x 40" x 2½" (<i>Chrome Rod</i>) |
| | GR2388 | - | Seal Kit (Black Rod) |
| | GR123069 | - | Seal Kit (Chrome Rod) |

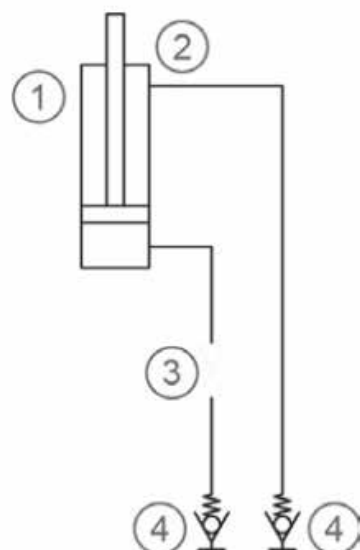
Wing Circuit



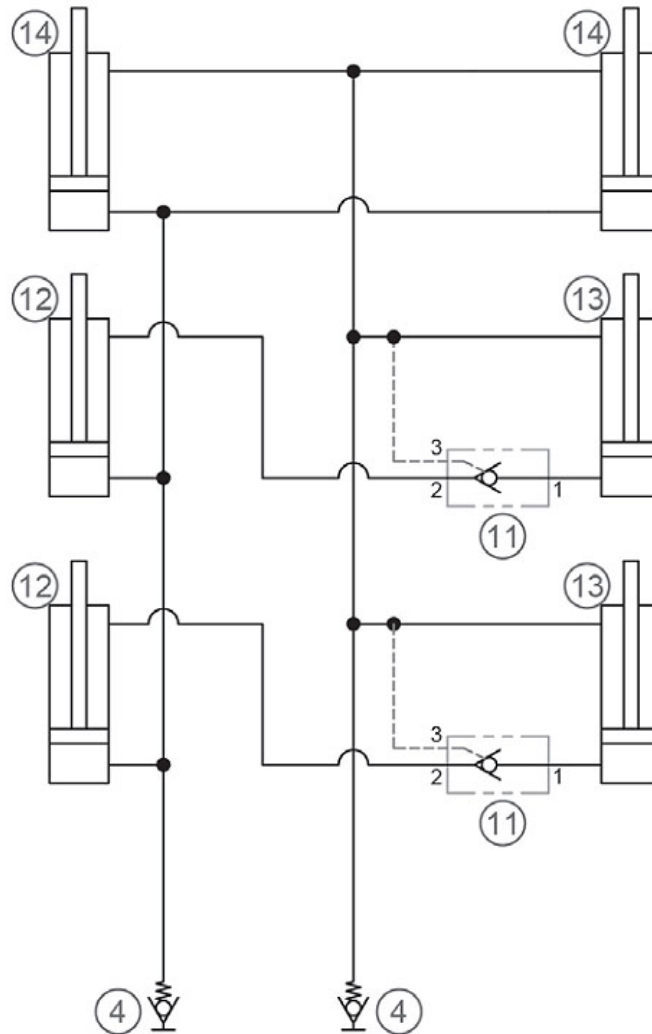
Transport Circuit



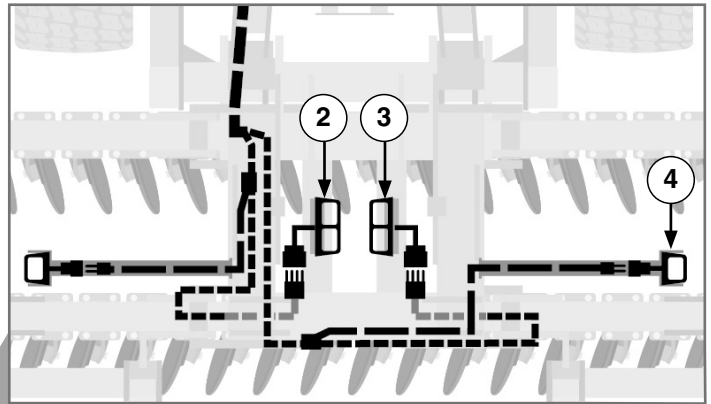
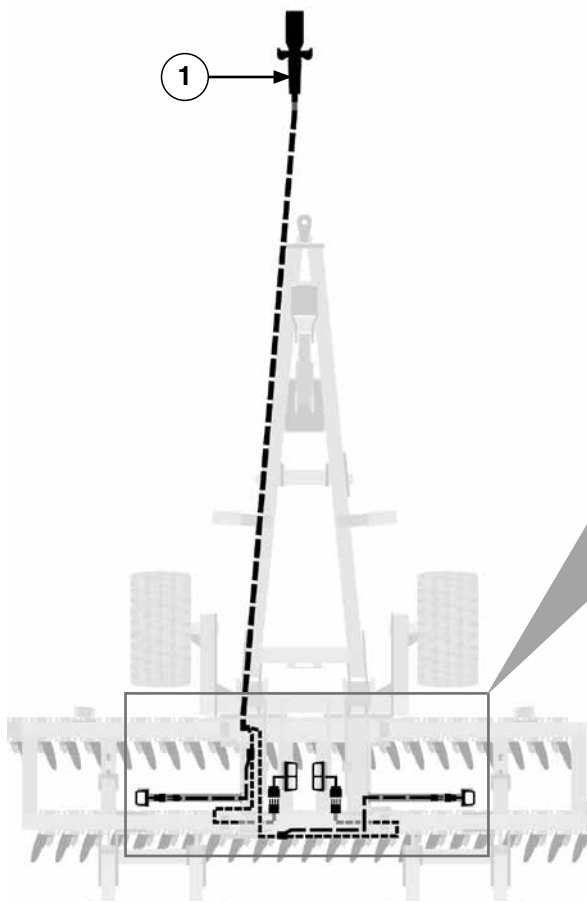
Jack Circuit



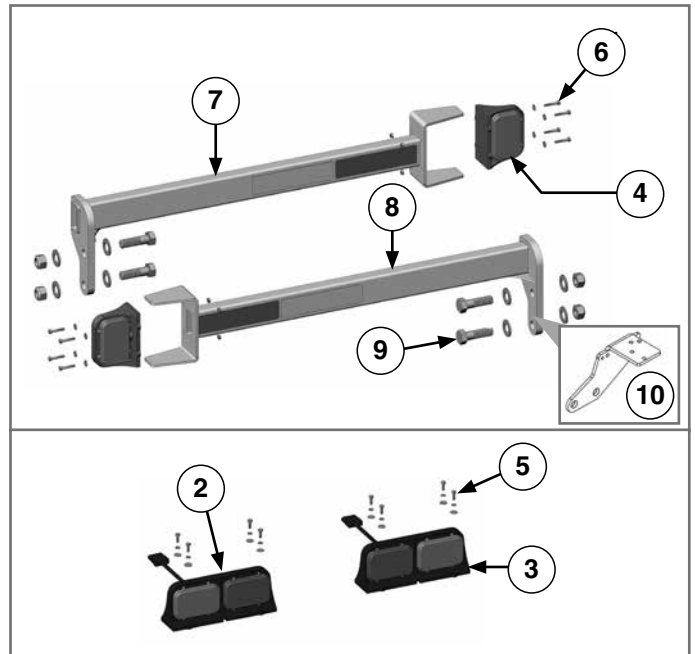
Depth Circuit



| ITEM | PART NO. | QTY. | DESCRIPTION |
|------|------------------------|--------|--------------------------------------|
| 1 | GA123412BK GR123049 | 1 - | Cylinder, 4x 8 x 2 Seal Kit |
| 2 | GD122668 | 1 | Orifice, 3/4-16 UNF |
| 3 | GA141597 | 1 | Ball Valve, 3/4 ORB F |
| 4 | GD141581 | 8 | Coupler Tip, 3/4 ORB F |
| 5 | GA123068BK GR123069 | 2 - | Cylinder, 5 x 40 x 2-1/2 Seal Kit |
| 6 | GA141740 | 1 | Valve, Reducing Relieving |
| 7 | GA141741 | 1 | Pressure Gauge |
| 8 | GA141524 | 1 | Relief Valve, 2000 PSI - 3/4 ORB |
| 9 | GA122668 | 2 | Orifice, 3/4-16 UNF |
| 10 | GA123067BK GR123049 | 2 - | Cylinder, 4 x 20 x 2 Seal Kit |
| 11 | GA141735 | 2 | Valve, P.O. Check Valve |
| 12 | GA123075BK GR123046 | 2 - | Cylinder, 4-1/4 x 8 x 2 Seal Kit |
| 13 | GA123065BK GR123051 | 2 - | Cylinder, 3-3/4 x 8 x 2 Seal Kit |
| 14 | GA123740BK GR123665 | 2 - | Cylinder, 3 x 4 x 1-1/2 Seal Kit |

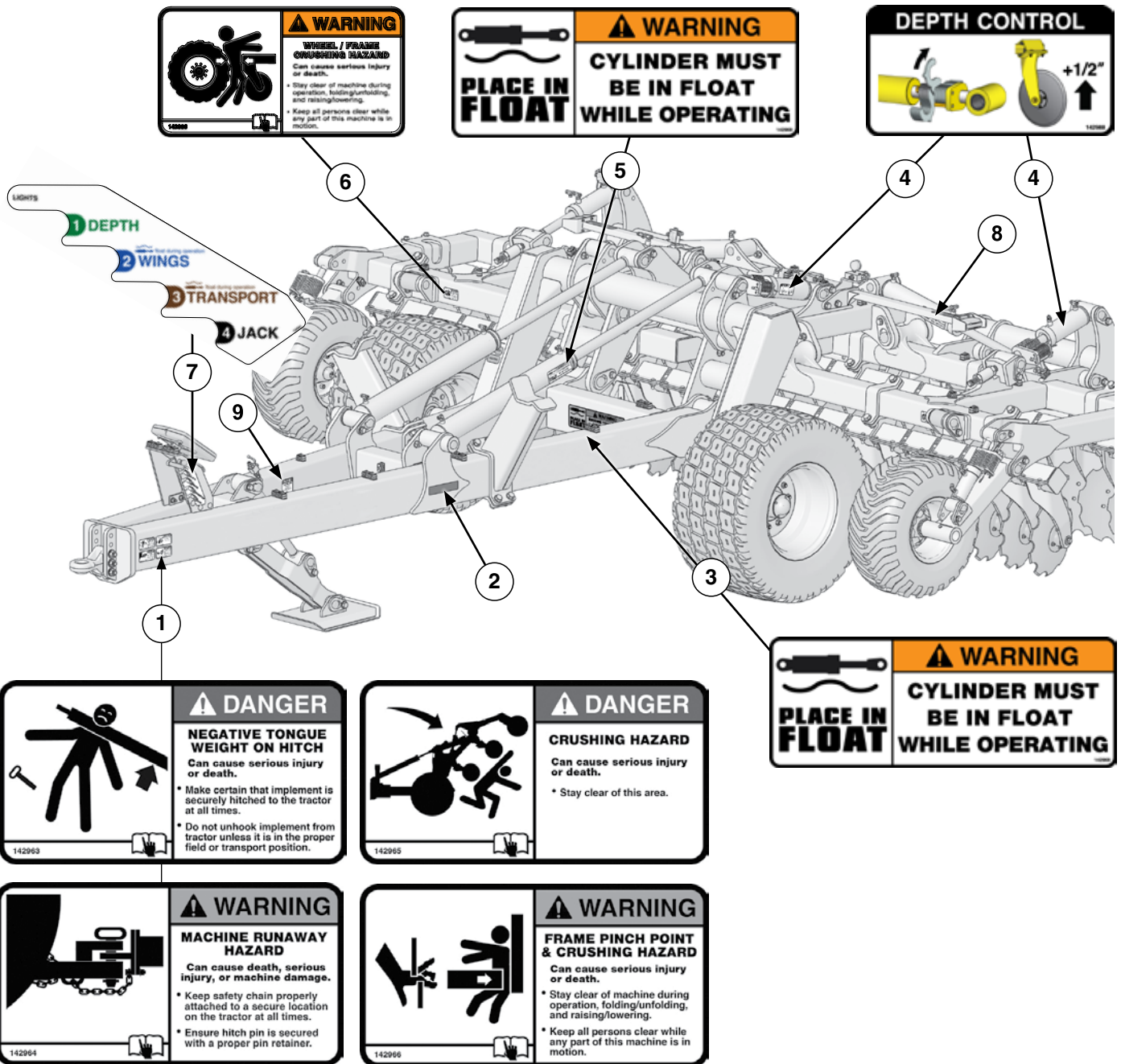


Dual and Single Amber Light Components

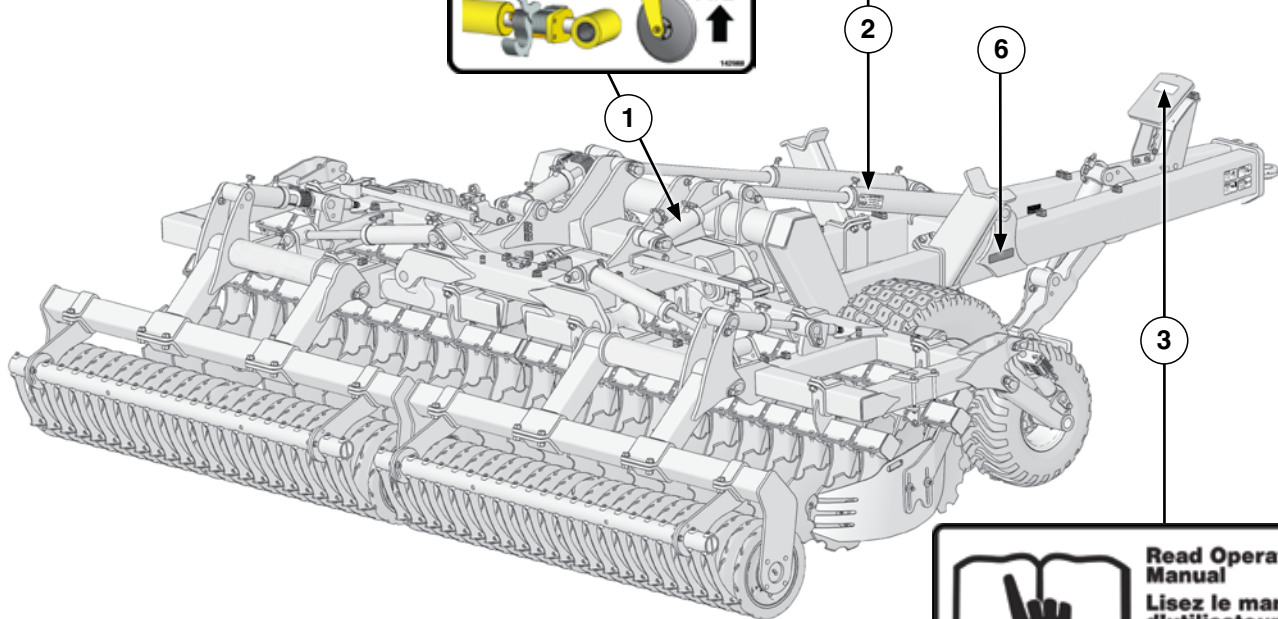
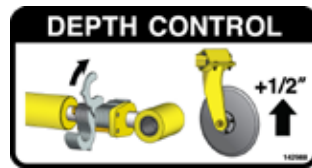
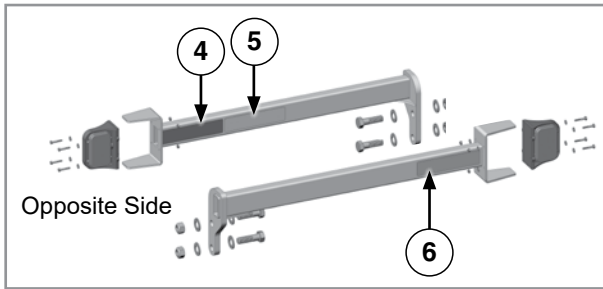


| ITEM | PART NO. | QTY. | DESCRIPTION |
|------|------------|------|----------------------------------|
| 1 | GA573194 | 1 | Wire Harness, Mach Till 201 |
| | GA573193 | - | Wire Harness, Mach Till 261 |
| 2 | GA129125 | 1 | Dual Lamp, L.H. |
| 3 | GA129126 | 1 | Dual Lamp, R.H. |
| 4 | GA129127 | 2 | Single Amber Lamp |
| 5 | G1118983 | 8 | Hex Bolt, 1/4" x 3/4", Grade 5 |
| | G1118533 | 8 | Lock Washer, 1/4" |
| | G1118541 | 8 | Flat Washer, 1/4" |
| 6 | G1118756 | 8 | Hex Bolt, 1/4" x 1 1/4", Grade 5 |
| | G1118541 | 16 | Flat Washer, 1/4" |
| | G1118483 | 8 | Lock Nut, 1/4", Grade 5 |
| 7 | GA573286BU | 1 | Light Bracket, R.H. |
| 8 | GA573285BU | 1 | Light Bracket, L.H. |
| 9 | G1118768 | 4 | Hex Bolt, 7/8" x 3 1/2" |
| | G1118774 | 8 | Flat Washer, 7/8" |
| | G1117416 | 4 | Lock Nut, 7/8" |
| 10 | GD573619BU | 1 | Pressure Valve Mount |

This page left blank intentionally.




| ITEM | PART NO. | QTY. | DESCRIPTION |
|------|------------|------|---|
| 1 | GD142963 | 2 | Decal, Danger |
| | GD142964 | 2 | Decal, Warning |
| | GD142965 | 2 | Decal, Danger |
| | GD142966 | 2 | Decal, Warning |
| 2 | G7100-558 | 2 | Reflective Decal, Amber, 2" x 9", Rectangular |
| 3 | GD142789 | 1 | Decal, Warning |
| 4 | GD142988 | 2 | Decal, Disc Depth |
| 5 | GD142969 | 2 | Decal, Warning |
| 6 | GD142986 | 2 | Decal, Warning |
| 7 | GD142987BU | 1 | Decal, Hose Location |
| 8 | GD142788 | 2 | Decal, Constant Pressure |
| 9 | GD142653 | 1 | Decal, Patent |



| ITEM | PART NO. | QTY. | DESCRIPTION |
|------|-----------|------|---|
| 1 | GD142988 | 2 | Decal, Disc Depth |
| 2 | GD142969 | 2 | Decal, Warning |
| 3 | GD143162 | 1 | Decal, Read Manual |
| 4 | GD142556 | 2 | Decal, Red Reflector |
| 5 | GD142650 | 2 | Decal, Fluorescent |
| 6 | G7100-558 | 4 | Reflective Decal, Amber, 2" x 9", Rectangular |

| | |
|--|---|
| | <p>Part No.: G7100-558 Description: Decal, Amber Reflective Quantity: 6</p> |
| | <p>Part No.: G10111801 (2018 Production - 2022 Winter Production) Description: Kinze Decal, 4.6" x 21.06" Quantity: 2</p> |
| | <p>Part No.: G10111601 (2018 Production - 2022 Winter Production) Description: Kinze Decal, 2½" x 11.45" Quantity: 1</p> |
| | <p>Part No.: G7100-587 (2018 Production - 2022 Winter Production) Description: Decal, Mach Till 261, 4½" x 42" Quantity: 2</p> |
| | <p>Part No.: G7100-594 (2018 Production - 2022 Winter Production) Description: Decal, Mach Till 261, 2½" x 23" Quantity: 1</p> |
| | <p>Part No.: G7100-586 (2018 Production - 2022 Winter Production) Description: Decal, Mach Till 201, 4½" x 42½" Quantity: 2</p> |
| | <p>Part No.: G7100-593 (2018 Production - 2022 Winter Production) Description: Decal, Mach Till 201, 2½" x 23" Quantity: 1</p> |
| | <p>Part No.: G10823201 (2023 Spring Production and On) Description: Decal, Mach Till 201, 6.83" x 44.33" Quantity: 2</p> |
| | <p>Part No.: G10823701 (2023 Spring Production and On) Description: Kinze Decal, 3" x 14" Quantity: 1</p> |
| | <p>Part No.: G10823801 (2023 Spring Production and On) Description: Decal, Mach Till, 3" x 17.89" Quantity: 1</p> |
| | <p>Part No.: G10823901 (2023 Spring Production and On) Description: Decal, HD Quantity: 2</p> |
| | <p>Part No.: G10823301 (2023 Spring Production and On) Description: Decal, Mach Till 261, 6.83" x 44.28" Quantity: 2</p> |

| | |
|---|---|
|  | <p>Part No.: GM0284-01 Description: Operator Manual, Model 201/261 Part No.: GM0284-02 Description: Parts Manual, Model 201/261 Part No.: GPR1321 Description: Binder (Contact Kinze Parts To Order)</p> |
|---|---|

Numerical Index

M0284-02

Model 201/261

| Part No. | Page | Part No. | Page | Part No. | Page | Part No. | Page |
|-----------|------|-----------|------|----------|------|----------|------|
| *A126707 | P41 | A573771BK | P23 | G1118062 | P11 | G1118729 | P33 |
| *A126708 | P37 | A573772BK | P23 | G1118062 | P13 | G1118743 | P33 |
| *A126709 | P37 | A573773BK | P23 | G1118062 | P19 | G1118756 | P49 |
| *A126709 | P42 | A573801BU | P17 | G1118123 | P7 | G1118767 | P11 |
| *A126710 | P37 | A573802BU | P17 | G1118123 | P8 | G1118767 | P13 |
| *A126710 | P42 | A573803BU | P17 | G1118134 | P6 | G1118767 | P15 |
| *A126712 | P41 | A573804BU | P17 | G1118134 | P23 | G1118767 | P15 |
| *A126713 | P35 | G10049 | P41 | G1118134 | P25 | G1118767 | P17 |
| *A126714 | P35 | G10111601 | P53 | G1118134 | P27 | G1118767 | P27 |
| *A126715 | P35 | G10111801 | P53 | G1118134 | P27 | G1118767 | P31 |
| *A126716 | P35 | G10895 | P19 | G1118134 | P27 | G1118767 | P43 |
| *A126717 | P37 | G1117172 | P27 | G1118134 | P29 | G1118768 | P15 |
| *A126717 | P39 | G1117225 | P5 | G1118134 | P31 | G1118768 | P49 |
| *A126717 | P41 | G1117407 | P31 | G1118144 | P4 | G1118774 | P5 |
| *A126718 | P41 | G1117414 | P18 | G1118144 | P15 | G1118774 | P11 |
| *A126719 | P35 | G1117414 | P19 | G1118144 | P17 | G1118774 | P13 |
| *A126720 | P35 | G1117414 | P19 | G1118186 | P27 | G1118774 | P15 |
| *A126721 | P39 | G1117414 | P29 | G1118186 | P29 | G1118774 | P15 |
| *A126721 | P39 | G1117414 | P33 | G1118186 | P29 | G1118774 | P15 |
| *A126755 | P37 | G1117416 | P5 | G1118221 | P7 | G1118774 | P17 |
| *A126755 | P39 | G1117416 | P11 | G1118221 | P7 | G1118774 | P27 |
| *A126796 | P41 | G1117416 | P13 | G1118221 | P27 | G1118774 | P31 |
| *A126797 | P41 | G1117416 | P15 | G1118279 | P20 | G1118774 | P33 |
| *A126911 | P39 | G1117416 | P15 | G1118403 | P45 | G1118774 | P41 |
| *A126912 | P39 | G1117416 | P15 | G1118417 | P41 | G1118774 | P43 |
| *A126913 | P39 | G1117416 | P17 | G1118417 | P45 | G1118774 | P49 |
| *A126914 | P39 | G1117416 | P27 | G1118447 | P7 | G1118775 | P19 |
| *A126915 | P39 | G1117416 | P31 | G1118447 | P7 | G1118775 | P29 |
| *A126916 | P39 | G1117416 | P33 | G1118447 | P27 | G1118775 | P33 |
| *A126917 | P39 | G1117416 | P41 | G1118447 | P27 | G1118911 | P6 |
| *A126918 | P39 | G1117416 | P43 | G1118451 | P17 | G1118911 | P7 |
| *A126919 | P39 | G1117416 | P49 | G1118468 | P20 | G1118911 | P7 |
| *A126920 | P39 | G1117426 | P33 | G1118483 | P7 | G1118911 | P23 |
| *G1117429 | P7 | G1117438 | P18 | G1118483 | P8 | G1118911 | P25 |
| A572900BK | P25 | G1117438 | P19 | G1118483 | P49 | G1118911 | P27 |
| A572901BK | P25 | G1117460 | P27 | G1118511 | P41 | G1118911 | P27 |
| A572902BK | P25 | G1117474 | P41 | G1118511 | P45 | G1118911 | P27 |
| A572903BK | P25 | G1117486 | P29 | G1118533 | P49 | G1118911 | P29 |
| A572904BK | P23 | G1117509 | P11 | G1118537 | P7 | G1118911 | P31 |
| A572905BK | P23 | G1117565 | P7 | G1118537 | P7 | G1118983 | P49 |
| A572906BK | P23 | G1117579 | P27 | G1118541 | P7 | G1131020 | P6 |
| A572907BK | P23 | G1117580 | P18 | G1118541 | P8 | G1131020 | P7 |
| A573025BU | P15 | G1117580 | P20 | G1118541 | P49 | G1131020 | P7 |
| A573325BU | P17 | G1117581 | P18 | G1118541 | P49 | G1131020 | P23 |
| A573326BU | P17 | G1117581 | P19 | G1118615 | P7 | G1131020 | P25 |
| A573330BU | P17 | G1117581 | P20 | G1118635 | P18 | G1131020 | P27 |
| A573340BU | P17 | G1117581 | P27 | G1118635 | P19 | G1131020 | P27 |
| A573750BK | P25 | G1117599 | P29 | G1118635 | P20 | G1131020 | P27 |
| A573751BK | P25 | G1117626 | P45 | G1118721 | P31 | G1131020 | P29 |
| A573752BK | P25 | G1117991 | P20 | G1118721 | P33 | G1131020 | P31 |
| A573753BK | P25 | G1118005 | P45 | G1118729 | P29 | G1131020 | P31 |
| A573770BK | P23 | G1118040 | P19 | G1118729 | P31 | G1131776 | P31 |

| Part No. | Page | Part No. | Page | Part No. | Page | Part No. | Page |
|------------|------|------------|------|------------|------|------------|------|
| G1131776 | P33 | GA131818GY | P11 | GA572895BK | P25 | GA573685 | P45 |
| G1143000 | P11 | GA131818GY | P13 | GA572896BK | P25 | GA573686 | P45 |
| G11661 | P5 | GA131830 | P14 | GA572897BK | P23 | GA573690BU | P33 |
| G117580 | P19 | GA131833 | P14 | GA572898BK | P23 | GA573691BU | P33 |
| G7100-558 | P51 | GA131845 | P27 | GA572909BK | P25 | GA573754BK | P25 |
| G7100-558 | P52 | GA131850GY | P31 | GA572909BK | P25 | GA573754BK | P25 |
| G7100-558 | P53 | GA131850GY | P33 | GA572910BK | P23 | GA573755BK | P25 |
| G7100-586 | P53 | GA131851GY | P31 | GA572910BK | P23 | GA573756BK | P25 |
| G7100-587 | P53 | GA131851GY | P33 | GA572931 | P7 | GA573757BK | P20 |
| G7100-593 | P53 | GA131855 | P27 | GA572933BK | P29 | GA573758BK | P20 |
| G7100-594 | P53 | GA132016 | P31 | GA572936BK | P29 | GA573774BK | P23 |
| GA117589 | P45 | GA141524 | P41 | GA572962BK | P29 | GA573774BK | P23 |
| GA118869 | P17 | GA141524 | P47 | GA572976BK | P27 | GA573775BK | P23 |
| GA119034 | P18 | GA141597 | P42 | GA572977BK | P27 | GA573776BK | P23 |
| GA119036 | P19 | GA141597 | P47 | GA573045BU | P11 | GA573832BK | P19 |
| GA122668 | P47 | GA141704 | P35 | GA573045BU | P13 | GA573835BU | P19 |
| GA123065BK | P13 | GA141704 | P37 | GA573060BU | P4 | GA573839BK | P19 |
| GA123065BK | P27 | GA141704 | P39 | GA573092BU | P4 | GA575586BK | P29 |
| GA123065BK | P37 | GA141704 | P41 | GA573131BU | P31 | GA780346 | P4 |
| GA123065BK | P39 | GA141704 | P42 | GA573155BU | P31 | GA780346 | P15 |
| GA123065BK | P45 | GA141705 | P42 | GA573156BU | P31 | GA780346 | P17 |
| GA123065BK | P47 | GA141711 | P37 | GA573165BU | P7 | GD110066BK | P29 |
| GA123066BK | P11 | GA141711 | P39 | GA573168BU | P31 | GD110067 | P29 |
| GA123066BK | P37 | GA141711 | P41 | GA573169BU | P31 | GD116302 | P7 |
| GA123067BK | P17 | GA141735 | P47 | GA573170BK | P17 | GD117171 | P27 |
| GA123067BK | P41 | GA141740 | P41 | GA573175BK | P5 | GD117225 | P11 |
| GA123067BK | P45 | GA141740 | P47 | GA573180BK | P5 | GD117225 | P13 |
| GA123067BK | P47 | GA141741 | P47 | GA573185BU | P6 | GD117225 | P17 |
| GA123068BK | P4 | GA27098 | P41 | GA573191BU | P31 | GD117225 | P27 |
| GA123068BK | P35 | GA27250 | P13 | GA573192BU | P31 | GD117225 | P31 |
| GA123068BK | P43 | GA27250 | P27 | GA573193 | P49 | GD117225 | P33 |
| GA123068BK | P45 | GA27250 | P39 | GA573194 | P49 | GD117225 | P43 |
| GA123068BK | P47 | GA27250 | P45 | GA573285BU | P49 | GD117225 | P45 |
| GA123075BK | P13 | GA27250 | P37 | GA573286BU | P49 | GD117226 | P8 |
| GA123075BK | P39 | GA27251 | P37 | GA573305BU | P27 | GD117226 | P11 |
| GA123075BK | P45 | GA27252 | P17 | GA573360BK | P18 | GD117226 | P13 |
| GA123075BK | P47 | GA27252 | P45 | GA573365BK | P18 | GD117226 | P17 |
| GA123412BK | P5 | GA27252 | P41 | GA573447 | P11 | GD117240 | P45 |
| GA123412BK | P42 | GA27253 | P35 | GA573448 | P11 | GD117502 | P11 |
| GA123412BK | P45 | GA27253 | P43 | GA573449 | P11 | GD118332 | P14 |
| GA123412BK | P47 | GA27253 | P45 | GA573453 | P11 | GD122668 | P41 |
| GA123740BK | P33 | GA27254 | P13 | GA573455 | P45 | GD122668 | P42 |
| GA123740BK | P39 | GA27254 | P39 | GA573456 | P45 | GD122668 | P47 |
| GA123740BK | P45 | GA27254 | P45 | GA573457 | P45 | GD131819 | P11 |
| GA123740BK | P47 | GA27257 | P5 | GA573458 | P45 | GD131819 | P13 |
| GA124029 | P7 | GA27257 | P42 | GA573590BU | P7 | GD133100 | P7 |
| GA129125 | P49 | GA27257 | P45 | GA573610BU | P27 | GD133134 | P45 |
| GA129126 | P49 | GA27288 | P33 | GA573611BU | P27 | GD133135 | P5 |
| GA129127 | P49 | GA27288 | P39 | GA573612BU | P27 | GD133135 | P11 |
| GA131415 | P20 | GA27288 | P45 | GA573615BU | P27 | GD133135 | P13 |
| GA131806 | P11 | GA572401BK | P20 | GA573682 | P45 | GD133135 | P17 |
| GA131806 | P13 | GA572406BK | P20 | GA573683 | P45 | GD133135 | P27 |

| Part No. | Page | Part No. | Page | Part No. | Page | Part No. | Page |
|-----------------|------|-----------------|------|-----------------|------|---------------|------|
| GD133135..... | P31 | GD142789..... | P51 | GD573619BU..... | P41 | GR123049..... | P45 |
| GD133135..... | P33 | GD142963..... | P51 | GD573619BU..... | P49 | GR123049..... | P45 |
| GD133135..... | P43 | GD142964..... | P51 | GD573764BK..... | P20 | GR123049..... | P47 |
| GD133135..... | P45 | GD142965..... | P51 | GD573841..... | P19 | GR123049..... | P47 |
| GD133136..... | P8 | GD142966..... | P51 | GD573842..... | P19 | GR123051..... | P13 |
| GD133136..... | P11 | GD142969..... | P51 | GD575193..... | P5 | GR123051..... | P27 |
| GD133136..... | P13 | GD142969..... | P52 | GD575193..... | P33 | GR123051..... | P37 |
| GD133136..... | P17 | GD142986..... | P51 | GD575194..... | P5 | GR123051..... | P39 |
| GD141581..... | P35 | GD142987BU..... | P51 | GD575194..... | P11 | GR123051..... | P45 |
| GD141581..... | P37 | GD142988..... | P51 | GD575194..... | P13 | GR123051..... | P47 |
| GD141581..... | P39 | GD142988..... | P52 | GD575194..... | P15 | GR123069..... | P35 |
| GD141581..... | P41 | GD143162..... | P52 | GD575194..... | P15 | GR123069..... | P43 |
| GD141581..... | P42 | GD143549..... | P18 | GD575194..... | P17 | GR123069..... | P45 |
| GD141581..... | P47 | GD143549..... | P19 | GD575194..... | P27 | GR123069..... | P47 |
| GD141676..... | P35 | GD143549..... | P20 | GD575194..... | P31 | GR123665..... | P45 |
| GD141676..... | P37 | GD143550..... | P20 | GD575194..... | P33 | GR123665..... | P47 |
| GD141676..... | P39 | GD143553..... | P20 | GD575194..... | P43 | GR123740..... | P39 |
| GD141676..... | P41 | GD143556..... | P20 | GD575195..... | P11 | GR127015..... | P11 |
| GD141676..... | P42 | GD143562..... | P20 | GD575195..... | P13 | GR127015..... | P13 |
| GD141679..... | P37 | GD143565..... | P20 | GD575195..... | P15 | GR131028..... | P34 |
| GD141679..... | P39 | GD143566..... | P20 | GD575195..... | P17 | GR131521..... | P31 |
| GD141682BU..... | P41 | GD143575..... | P20 | GD575195..... | P27 | GR131521..... | P33 |
| GD141683BU..... | P41 | GD143577..... | P20 | GD575197..... | P15 | GR131712..... | P28 |
| GD141684BU..... | P37 | GD2199..... | P8 | GD575197..... | P31 | GR131716..... | P28 |
| GD141684BU..... | P39 | GD242982..... | P31 | GD575197..... | P43 | GR131717..... | P28 |
| GD141685BU..... | P37 | GD242982..... | P33 | GD575212..... | P15 | GR131722..... | P28 |
| GD141685BU..... | P39 | GD249950..... | P33 | GD575215..... | P15 | GR131723..... | P28 |
| GD141686BU..... | P35 | GD249954..... | P33 | GD575584BK..... | P29 | GR131725..... | P28 |
| GD141687BU..... | P35 | GD572404BK..... | P18 | GD780279..... | P4 | GR131730..... | P28 |
| GD141688BU..... | P42 | GD572404BK..... | P19 | GD780279..... | P15 | GR131735..... | P34 |
| GD141689BU..... | P42 | GD572404BK..... | P20 | GD780279..... | P17 | GR131736..... | P34 |
| GD141703..... | P35 | GD572428..... | P27 | GM0284-01..... | P54 | GR131737..... | P34 |
| GD141703..... | P37 | GD572649..... | P29 | GM0284-02..... | P54 | GR131739..... | P34 |
| GD141703..... | P39 | GD572650..... | P29 | GPR1321..... | P54 | GR131740..... | P34 |
| GD141703..... | P41 | GD572786..... | P27 | GR117555..... | P34 | GR131741..... | P34 |
| GD141703..... | P42 | GD572891BK..... | P23 | GR117572..... | P28 | GR131742..... | P34 |
| GD141706..... | P37 | GD572891BK..... | P25 | GR118443..... | P14 | GR131744..... | P34 |
| GD141706..... | P39 | GD572891BK..... | P29 | GR118641..... | P14 | GR131745..... | P34 |
| GD141707..... | P35 | GD572930..... | P7 | GR118712..... | P14 | GR131746..... | P34 |
| GD141707..... | P37 | GD572930..... | P31 | GR118723..... | P14 | GR131775..... | P34 |
| GD141707..... | P39 | GD572957..... | P29 | GR118963..... | P14 | GR131816..... | P28 |
| GD141707..... | P41 | GD573190BU..... | P6 | GR121080..... | P20 | GR131834..... | P14 |
| GD141715..... | P39 | GD573199BK..... | P17 | GR121082..... | P20 | GR131835..... | P14 |
| GD141715..... | P41 | GD573278BU..... | P27 | GR123046..... | P11 | GR131836..... | P14 |
| GD141727..... | P39 | GD573278BU..... | P27 | GR123046..... | P13 | GR131837..... | P14 |
| GD141727..... | P41 | GD573278BU..... | P27 | GR123046..... | P37 | GR131838..... | P14 |
| GD141735..... | P37 | GD573352..... | P17 | GR123046..... | P39 | GR131839..... | P14 |
| GD141735..... | P39 | GD573370BU..... | P18 | GR123046..... | P45 | GR131840..... | P14 |
| GD142556..... | P52 | GD573386BU..... | P27 | GR123046..... | P47 | GR131841..... | P14 |
| GD142650..... | P52 | GD573387BK..... | P27 | GR123049..... | P17 | GR131846..... | P28 |
| GD142653..... | P51 | GD573598..... | P45 | GR123049..... | P41 | GR131847..... | P28 |
| GD142788..... | P51 | GD573599..... | P45 | GR123049..... | P42 | GR131848..... | P28 |

| Part No. | Page | Part No. | Page | Part No. | Page | Part No. | Page |
|----------|------|----------|------|----------|------|----------|------|
| GR131852 | P31 | | | | | | |
| GR131852 | P33 | | | | | | |
| GR131853 | P31 | | | | | | |
| GR131853 | P33 | | | | | | |
| GR2385 | P13 | | | | | | |
| GR2385 | P27 | | | | | | |
| GR2385 | P37 | | | | | | |
| GR2385 | P39 | | | | | | |
| GR2385 | P45 | | | | | | |
| GR2386 | P13 | | | | | | |
| GR2386 | P37 | | | | | | |
| GR2386 | P39 | | | | | | |
| GR2386 | P45 | | | | | | |
| GR2387 | P17 | | | | | | |
| GR2387 | P41 | | | | | | |
| GR2387 | P42 | | | | | | |
| GR2387 | P45 | | | | | | |
| GR2387 | P45 | | | | | | |
| GR2388 | P35 | | | | | | |
| GR2388 | P43 | | | | | | |
| GR2388 | P45 | | | | | | |
| GR2390 | P39 | | | | | | |
| GR2390 | P45 | | | | | | |