

# MODEL 3605 PIVOT FOLD PLANTER PARTS MANUAL

**M0303-02**

**Rev. 7/24**

This manual applies to:            Model: 3605 Twin-Line Planters:  
2021 Production and On

Record the model number and serial number of your planter along with date purchased:

Serial Number \_\_\_\_\_

Date Purchased \_\_\_\_\_

Information in this manual was current at time of printing. However, due to Kinze's ongoing product improvement, production changes may cause your machine to appear slightly different in detail. Kinze Manufacturing, Inc. reserves the right to change specifications or design without notice and without incurring obligation to install the same on machines previously manufactured.

Right hand (R.H.) and left hand (L.H.), as used throughout this manual, are determined by facing in the direction the machine will travel when in use, unless otherwise stated.

**ROW UNIT**

Pull Row Unit Assembly . . . . . P1  
 Shank Assembly, Seed Tube, and Depth Adjustment . . . . . P3  
 Pneumatic Down Pressure Package Option . . . . . P5  
 Parallel Arms, Mounting Support Plate, and Quick Adjustable Down Forces Springs Option . . . . . P7  
 Ag Leader Electric Clutch . . . . . P9  
 15" Seed Opener Disc Blade/Bearing Assembly and Scrapers . . . . . P11  
 Gauge Wheels . . . . . P13  
 "V" Closing Wheels . . . . . P15  
 Row Unit Light Mount Bracket and Extension . . . . . P17  
 Hopper Support and Meter Drive . . . . . P19  
 Row Unit Idler (Ground Contact Drive) . . . . . P21  
 Row Unit Idler (Electric Clutch) . . . . . P22  
 Seed Hopper and Lid . . . . . P24  
 Finger Pickup Seed Meter . . . . . P25  
 Brush-Type Seed Meter 2.0 . . . . . P27  
 Vacuum Seed Meter . . . . . P29  
 Granular Chemical . . . . . P31  
 Granular Chemical Hopper and Hopper Panel Extension . . . . . P33  
 Granular Chemical Meter and Meter Drive . . . . . P34  
 Row Unit Mounted No Till Coulter . . . . . P35  
 Coulter Mounted Residue Wheels . . . . . P37  
 Coulter Mounted Residue Wheel W/Treader . . . . . P39

**SPLIT ROW**

Push Row Unit Assembly . . . . . P43  
 Parallel Arms and Face Plate (Split Row) . . . . . P45  
 Shank and Depth Adjustment (Split Row) . . . . . P49  
 Pneumatic Down Pressure Package (Split Row) . . . . . P51  
 Split Row Unit Drive . . . . . P53  
 Ag Leader Electric Clutch, Push Unit . . . . . P55  
 Hydraulic Down Force, 12 Row (Split Row) . . . . . P57  
 Hydraulic Down Force, 16 Row (Split Row) . . . . . P59

**VACUUM SYSTEM**

Manifolds and Mounts . . . . . P61  
 Vacuum Fan Snorkel Mount . . . . . P63  
 Vacuum System . . . . . P65  
 Vacuum Fan Hydraulic Components . . . . . P67  
 Vacuum Manifolds and Hoses, 12 Row . . . . . P69  
 Vacuum Manifolds and Hoses, 16 Row . . . . . P70  
 PTO Pump Drive and Oil Cooler Option, Vacuum . . . . . P71  
 PTO Pump - Single Stage, Vacuum . . . . . P73

**BULK FILL**

Bulk Fill Fan Mounts . . . . . P75  
 Bulk Fill Fan Hydraulic Components (Mechanical) . . . . . P77  
 Bulk Fill Fan Hydraulic Components (Vacuum) . . . . . P79  
 Bulk Fill Fan System . . . . . P81  
 Bulk Fill Hoses, 12 Row . . . . . P83  
 Bulk Fill Hoses, 16 Row . . . . . P84  
 Bulk Fill Manifolds and Distribution Hoses . . . . . P85  
 Bulk Fill Entrainer Assembly . . . . . P87  
 Bulk Fill Tank Assembly . . . . . P89  
 Bulk Fill Scale Package (2021 Production) . . . . . P91  
 Bulk Fill Scale Package (2022 Production and On) . . . . . P93  
 Mechanical Row Unit, Bulk Fill . . . . . P95  
 Vacuum Row Unit, Bulk Fill . . . . . P97  
 Split Row Unit, Bulk Fill . . . . . P99  
 Bulk Fill Catwalk . . . . . P101  
 PTO Pump Drive and Oil Cooler Option, Bulk Fill . . . . . P103

**BASE MACHINE**

Outer Hitch . . . . . P105  
 Safety Chain . . . . . P107  
 2-Point Hitch Option . . . . . P108  
 Inner Hitch, "Y" . . . . . P109  
 Hose Take-Up . . . . . P111  
 Center Frame . . . . . P113  
 Hydraulic Drive Package Option . . . . . P115  
 Wing Frame . . . . . P117  
 Weight Transfer Mechanism . . . . . P119  
 Center Pivot . . . . . P121  
 Axle Assembly . . . . . P123  
 Implement Switch Assembly (2021 Production) . . . . . P126  
 Implement Switch Assembly (2022 Production and On) . . . . . P126  
 Rock Guard Package . . . . . P127  
 Ground Drive Wheel . . . . . P129  
 Contact Wheel and Drive Shaft(s) . . . . . P131  
 Seed Rate Transmission and Row Unit Drill Shafts . . . . . P135  
 Inner Module Drive . . . . . P137  
 Point Row Clutch . . . . . P139  
 Pneumatic Down Pressure Control Console, Sending Unit, and Harnesses . . . . . P141  
 Air Compressor, Dual Solenoid Assembly, Tubing, and Fittings . . . . . P143  
 Row Marker Assembly . . . . . P145  
 Row Marker Stand . . . . . P148  
 Row Marker Spindle/Hub/Blade . . . . . P149

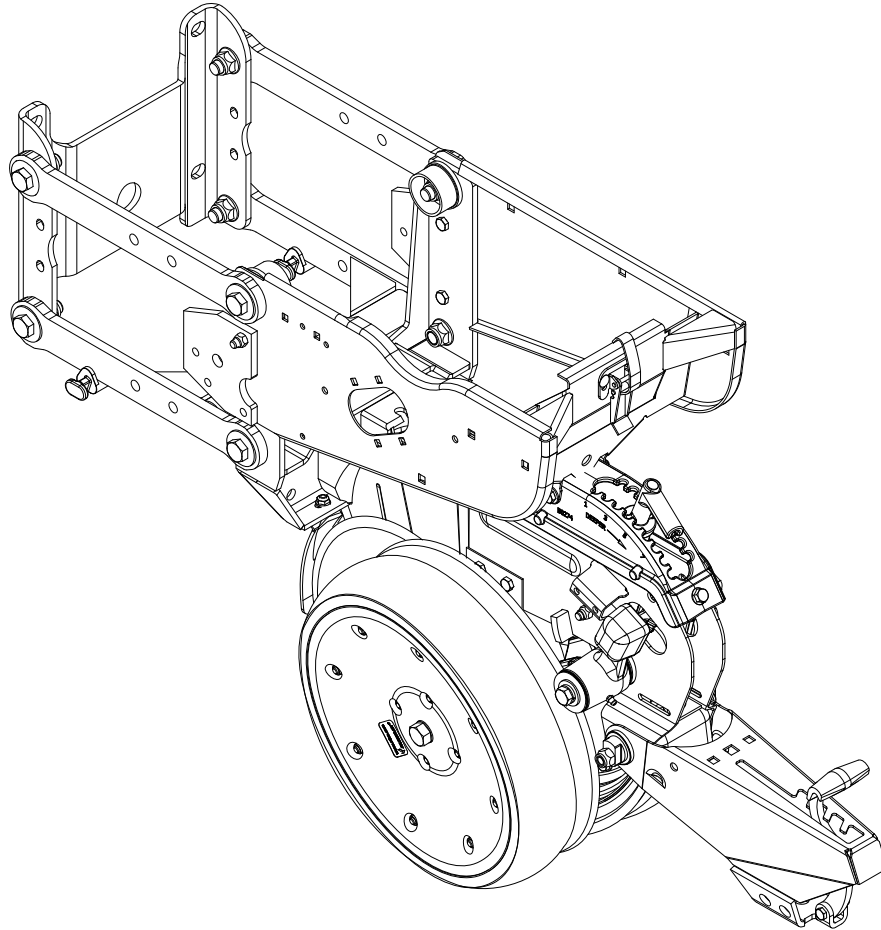
**HYDRAULICS**

Hydraulic Hoses and Fittings on Hitch . . . . .	P151	Ag Leader Electric Clutch . . . . .	P207
Hydraulic Hoses and Fittings on Planter Frame, 12 Row . . . . .	P153	Ag Leader Interconnect Schematic . . . . .	P209
Hydraulic Hoses and Fittings on Planter Frame, 16 Row . . . . .	P155	Shaft Rotation Sensor . . . . .	P211
Wing Down Pressure Hydraulic Schematics (Mechanical and Vacuum) . . . . .	P157	Miscellaneous Electronic Parts . . . . .	P212
PTO Hydraulics, Vacuum . . . . .	P159	GPS 7500 Receiver Package . . . . .	P213
Hydraulic Down Force Hydraulic Schematics, 12 Row . . . . .	P161	ISOBUS Electric Clutch Package (2021 Production Only) . . . . .	P215
Hydraulic Down Force Hydraulic Schematics, 16 Row . . . . .	P163	ISOBUS Retrofit Cabling Package (2021 Production Only) . . . . .	P217
Row Marker Cylinder . . . . .	P165	Hydraulic Down Force Display and Harnesses . . . . .	P219
Rotation Cylinder . . . . .	P166	Hydraulic Down Force, Pull Row . . . . .	P221
Wing Lift Cylinder, 12 Row . . . . .	P167	Hydraulic Down Force, Interplant Push Row . . . . .	P223
Wing Lift Cylinder, 16 Row . . . . .	P168	Hydraulic Down Force, Interplant Even-Row . . . . .	P224
Center Lift Cylinder . . . . .	P169	PTO Package Electrical Schematic . . . . .	P225
Wing Lock Cylinder . . . . .	P172		
Tongue Lock Cylinder . . . . .	P173	<b>FERTILIZER</b>	
Transport Latch Cylinder . . . . .	P173	Depth/Gauge Wheel Attachment for Notched Single Disc Fertilizer Opener . . . . .	P231
Wing Down Pressure Cylinder . . . . .	P174	Dry Fertilizer Coupler/Shafts . . . . .	P237
Tongue Cylinder . . . . .	P175	Dry Fertilizer Drive . . . . .	P233
Hydraulic Down Force Cylinder . . . . .	P177	Dry Fertilizer Hopper and Mounts . . . . .	P235
Junction Block - Located on R.H. Side of Center Pivot . . . . .	P178	HD Single Disc Fertilizer Opener (Blade and Drop Tube) . . . . .	P227
Junction/Valve Blocks - Located on R.H. Rear Center Frame . . . . .	P179	Liquid Fertilizer Flow Divider Mount and Hoses (Conventional) . . . . .	P247
Valve Blocks - Located on R.H. Rear Center Frame . . . . .	P181	Liquid Fertilizer Piston Pump Flow Divider . . . . .	P253
Valve Block - Located on Hitch . . . . .	P183	Liquid Fertilizer Piston Pump Mount and Ground Drive Wheel . . . . .	P245
Wing Down Pressure Valve Block . . . . .	P185	Liquid Fertilizer Piston Pump (Uses 18 Tooth Sprocket) . . . . .	P251
Hydraulic Motor Assembly . . . . .	P187	Liquid Fertilizer Tanks, Saddles, Saddle Mounts, and Hoses (Bulk Fill) . . . . .	P241
Optional Flow Control Needle Valve Kit . . . . .	P189	Liquid Fertilizer Tanks, Saddles, Saddle Mounts, and Hoses (Conventional) . . . . .	P239
Vacuum Fan Hydraulic Motor Assembly . . . . .	P189	Liquid Fertilizer Tube In Furrow . . . . .	P255
Vacuum Fan Motor Valve Block Assembly (Located Below Vacuum Fan Motor Assembly) . . . . .	P190	Notched Single Disc Fertilizer Opener . . . . .	P229
Bulk Fill Fan Valve Block . . . . .	P191	Rear Trailer Hitch (Bulk Fill) . . . . .	P259
Solenoid Valve . . . . .	P192	Rear Trailer Hitch (Conventional) . . . . .	P257
Hydraulic Down Force Manifold Block and In-Line Filter Assembly . . . . .	P193		
Hydraulic Down Force Manifold Block . . . . .	P195	<b>DECALS, PAINT, AND MISCELLANEOUS. . . . .</b>	<b>P261</b>
Row Unit Control Block, Pull Row Units . . . . .	P196		
Row Unit Control Block, Push Row Units . . . . .	P197	<b>NUMERICAL INDEX . . . . .</b>	<b>P275</b>

**ELECTRONICS**

Bulk Fill Work Light . . . . .	P199
Electrical Components . . . . .	P201
KPM III Electronic Seed Monitor . . . . .	P203
Ag Leader PMM . . . . .	P205

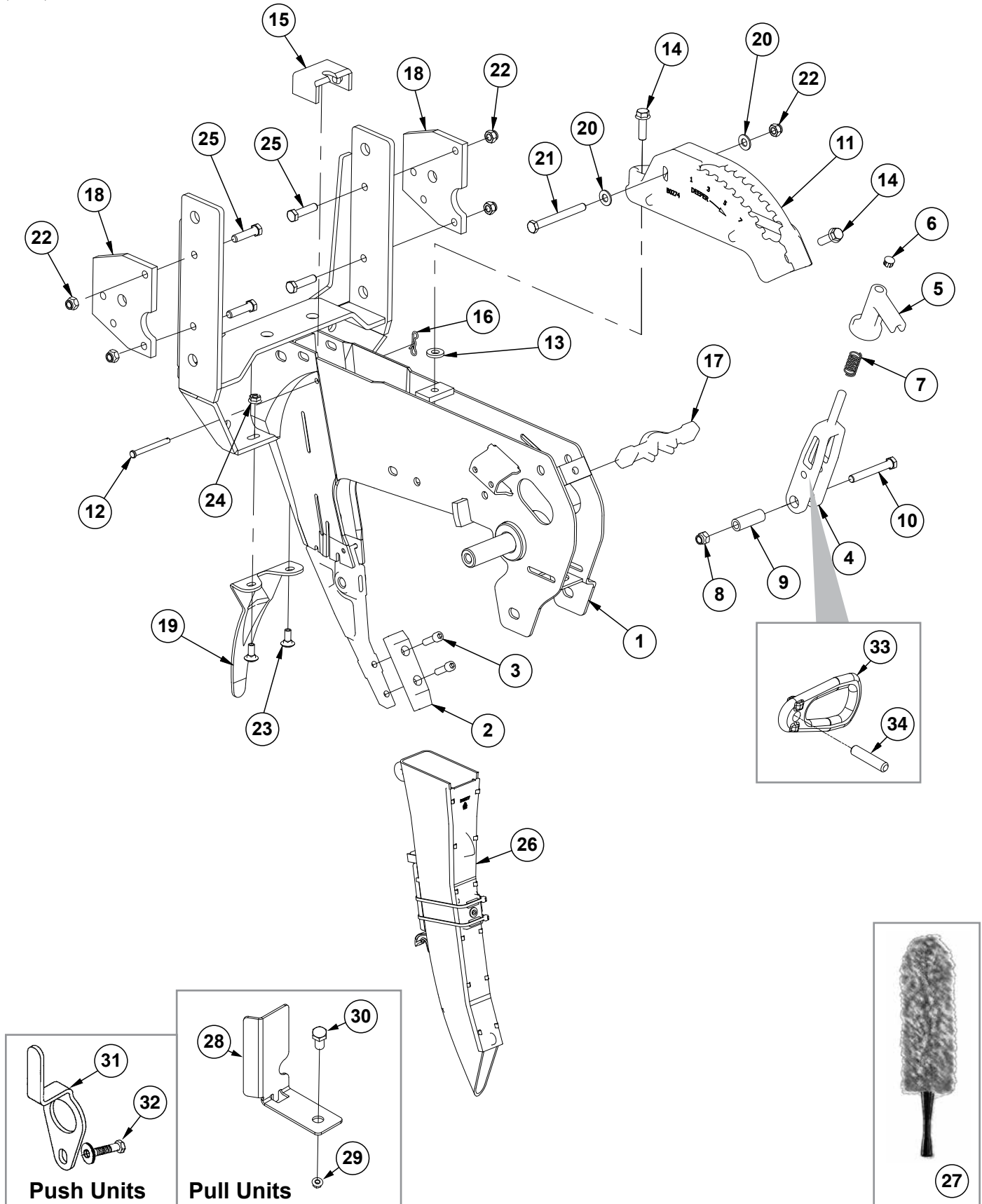
**NOTE:** Row unit assembly does not include the following: seed meter assembly, seed tube assembly, row unit hopper assembly, closing wheels, or seed meter clutch.



ITEM	PART NO.	QTY. (Per Row)	DESCRIPTION
1	G10502X	1	Pull Row Unit Assembly, Standard Gauge Wheel
2	G10984X	1	Pull Row Unit Assembly, Spoked Gauge Wheel

**This page left blank intentionally.**

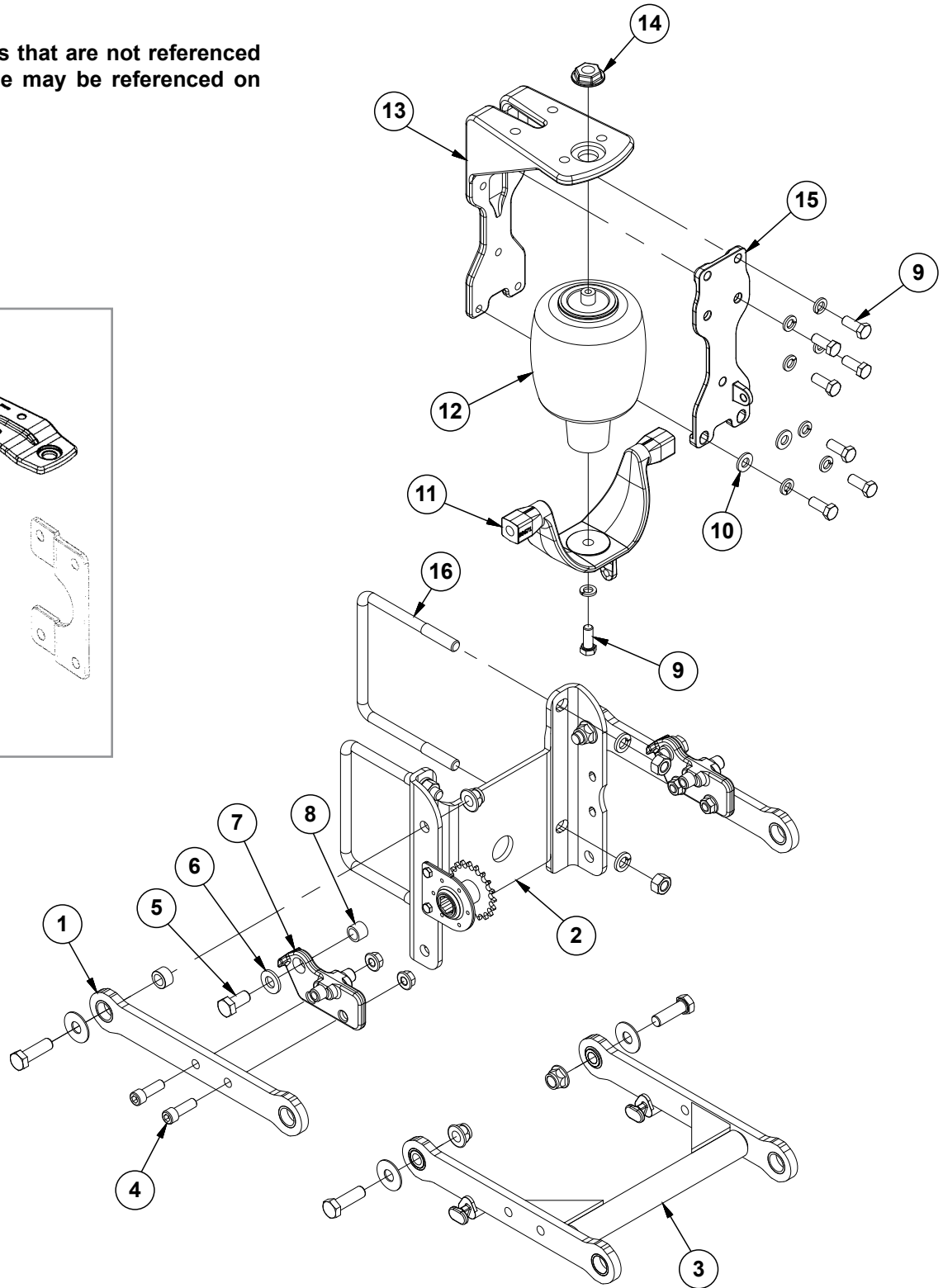
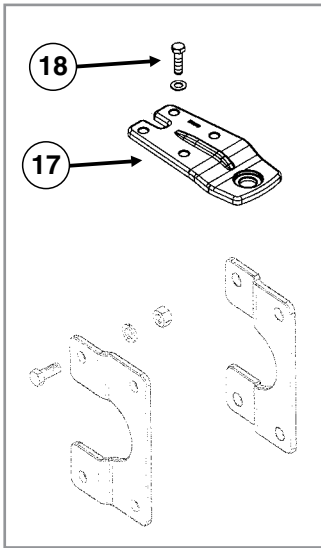
(IP1577)



ITEM	PART NO.	QTY. (Per Row)	DESCRIPTION
1	GA10157 GD11001 G10438	1 - -	Shank W/Gauge Wheel Pivot Spindle and Set Screw Spindle Hex Head Cap Screw, 1/2"-13 x 3/4"
2	G10038601	1	Scraper
3	G10500901	2	Hex Socket Head Cap Screw, 5/16"-18 x 1", Grade 8
4	GB0267	1	Lever, Depth Adjustment
5	GB0266	1	Handle, Depth Adjustment
6	GD3612	1	Cap Plug
7	GD10993	1	Spring
8	G11591	1	Hex Lock Nut, 3/8"-24, Grade C
9	GD11259	1	Sleeve, 3/8" I.D. x 5/8" O.D. x 1 <sup>25</sup> / <sub>32</sub> " Long
10	G11592	1	Hex Head Cap Screw, 3/8"-24 x 2 <sup>3</sup> / <sub>4</sub> ", Grade 8
11	GB0274	1	Cover, Depth Adjustment
12	G10551	1	Clevis Pin, 1/4" x 2 1/2"
13	G10207	1	Washer, 7/8" O.D. x 1 <sup>3</sup> / <sub>32</sub> " I.D. x .134" (If Applicable)
14	G11015	2	Hex Washer Head Cap Screw, 3/8"-16 x 1 <sup>1</sup> / <sub>4</sub> "
15	GD16245	1	Sun Shade (Rubber)
16	G10122301	1	Bow Tie Cotter Pin
17	GB0265	1	Pivot Link, Depth Adjustment
18	GD24545	2	Row Unit Stop
19	GD28390	1	Shield
20	G11387	2	Flat Washer, 3/8" SAE
21	G10061	1	Hex Head Cap Screw, 3/8"-16 x 3 <sup>1</sup> / <sub>2</sub> "
22	G10108	4	Lock Nut, 3/8"-16
23	G10312	2	Carriage Bolt, 5/16"-18 x 3/4"
24	G10620	2	Serrated Flange Nut, 5/16"-18
25	G10003	3	Hex Head Cap Screw, 3/8"-16 x 1 <sup>1</sup> / <sub>2</sub> "
26	G10745401	1	Seed Tube Assembly
27	G10475701	1	Seed Tube Brush, Microfiber
28	GD29798	1	Chain Guard
29	G10071	1	Serrated Flange Nut, 1/2"-13
30	G10014	1	Hex Head Cap Screw, 1/2"-13 x 1"
31	GD17014	1	Hose Guide, Push Units
32	G10047 G11387 G10108	1 2-3 1	Hex Head Cap Screw, 3/8"-16 x 1 <sup>3</sup> / <sub>4</sub> " Flat Washer, 3/8" SAE Lock Nut, 3/8"-16
33	GB0285	1	Collar, Depth Adjustment
34	G10402701	1	Depth Adjust Pin

(IP1640)

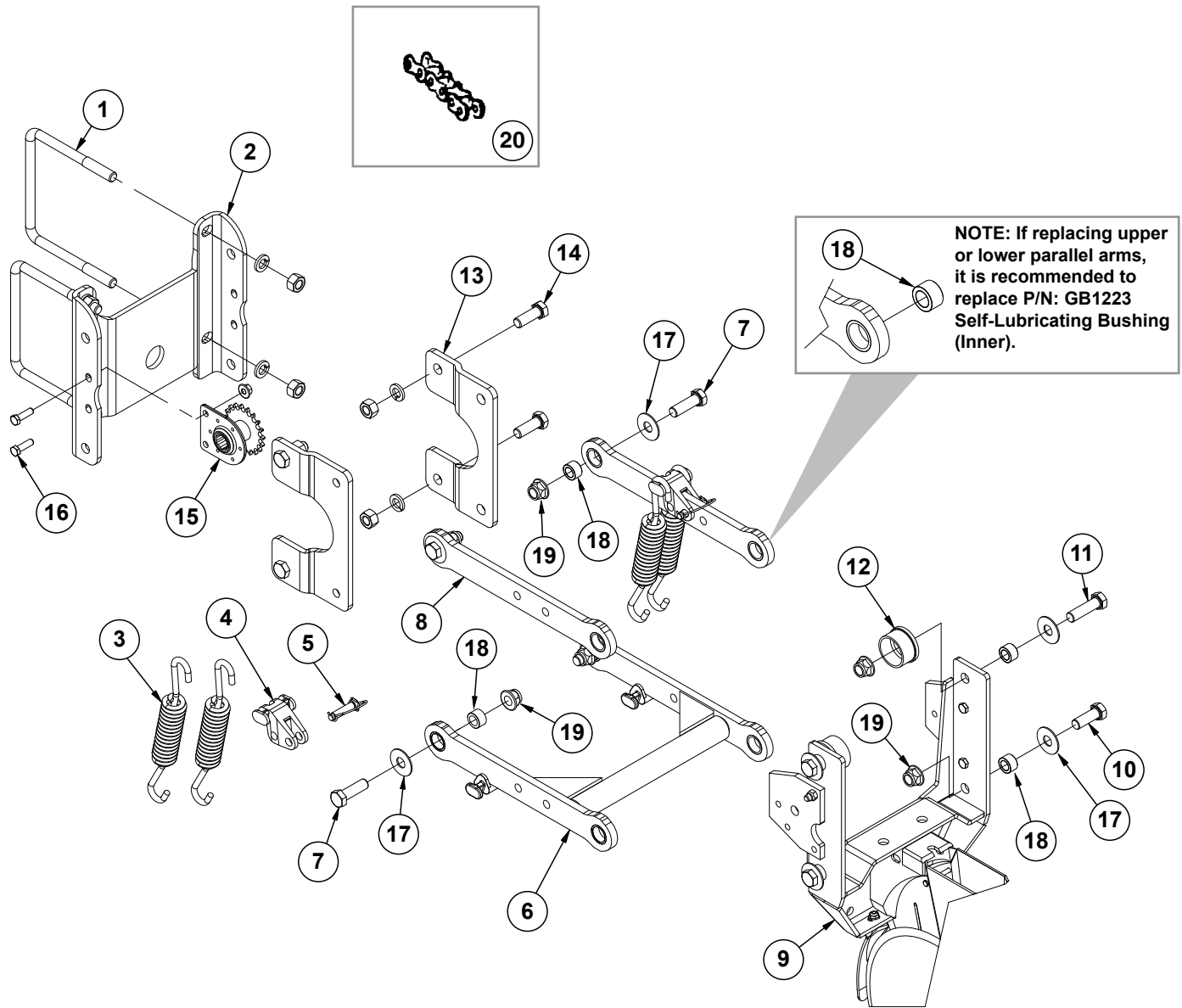
**NOTE:** Items that are not referenced on this page may be referenced on [page P7](#).





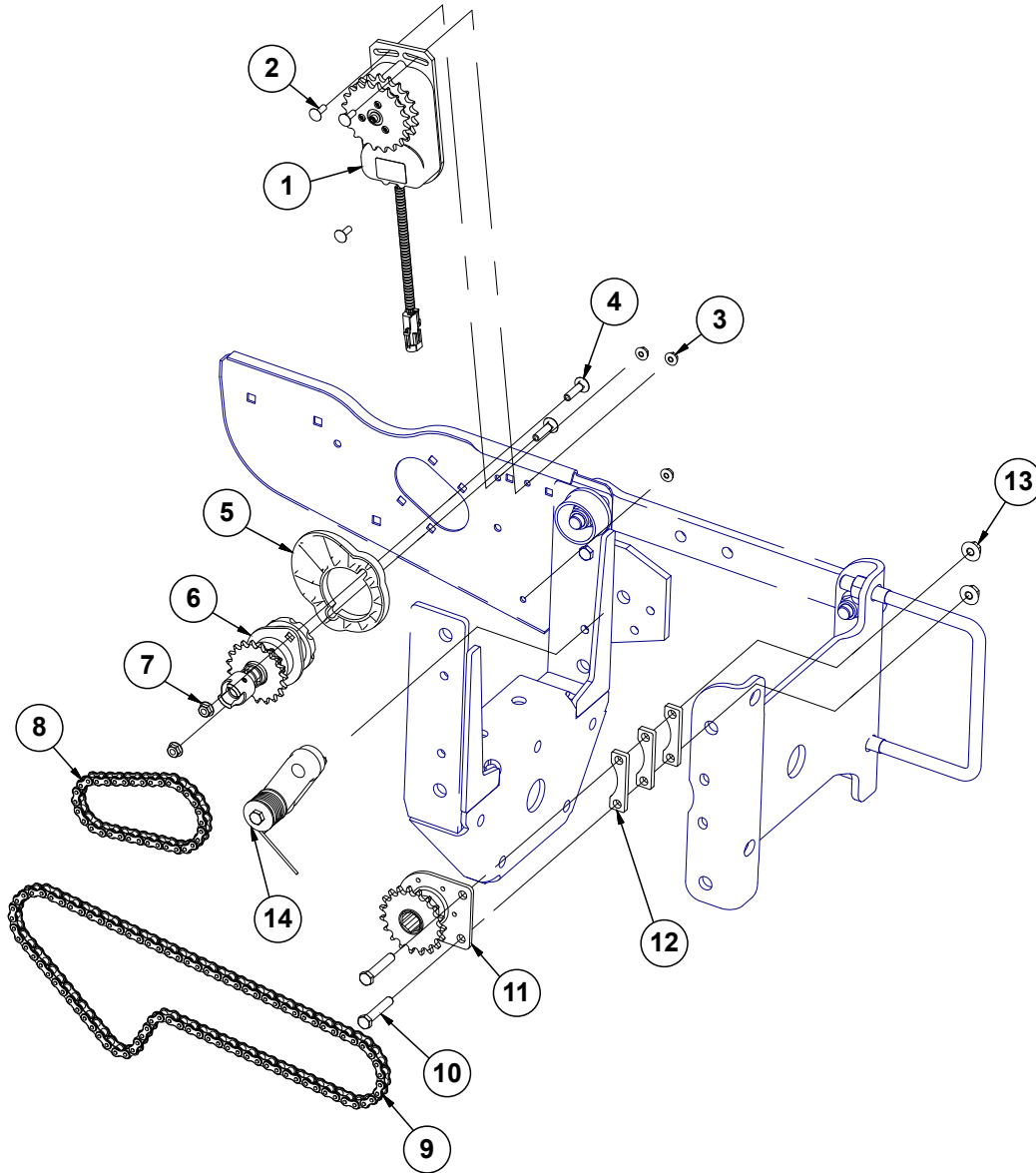
ITEM	PART NO.	QTY. (Per Row)	DESCRIPTION
1	---	2	<a href="#">See "Parallel Arms, Mounting Support Plate, and Quick Adjustable Down Forces Springs Option" on page P7</a>
2	GD10036	1	Mounting Support Plate
3	---	1	<a href="#">See "Parallel Arms, Mounting Support Plate, and Quick Adjustable Down Forces Springs Option" on page P7</a>
4	G11220	4	Hex Socket Cap Screw, 1/2"-13 x 1 1/2"
	G10071	4	Serrated Flange Nut, 1/2"-13
5	G11018	2	Hex Head Cap Screw, 5/8"-18 x 1 1/4"
6	G11391	2	Flat Washer, 5/8" SAE
7	GB0395	2	Bracket
8	GD3180-30	2	Sleeve, 7/8" O.D. x 5/8" I.D. x 2 1/32"
9	G10037	8	Hex Head Cap Screw, 1/2"-13 x 1 1/4"
	G10228	8	Lock Washer, 1/2"
10	G11389	2	Flat Washer, 1/2" SAE
11	GD23995	1	Saddle
12	GA11982	1	Air Spring Assembly
13	GB0396	1	Head Mount
14	GB0397	1	Shoulder Nut, 3/4"-16
15	GB0393	1	Plate
16	---	---	<a href="#">See "Parallel Arms, Mounting Support Plate, and Quick Adjustable Down Forces Springs Option" on page P7</a>
17	GB0398	1	Extension
18	G10039	4	Hex Head Cap Screw, 1/2"-13 x 1 3/4"
	G11389	4	Flat Washer, 1/2" SAE
	G10111	4	Lock Nut, 1/2"-13

(IP1578)



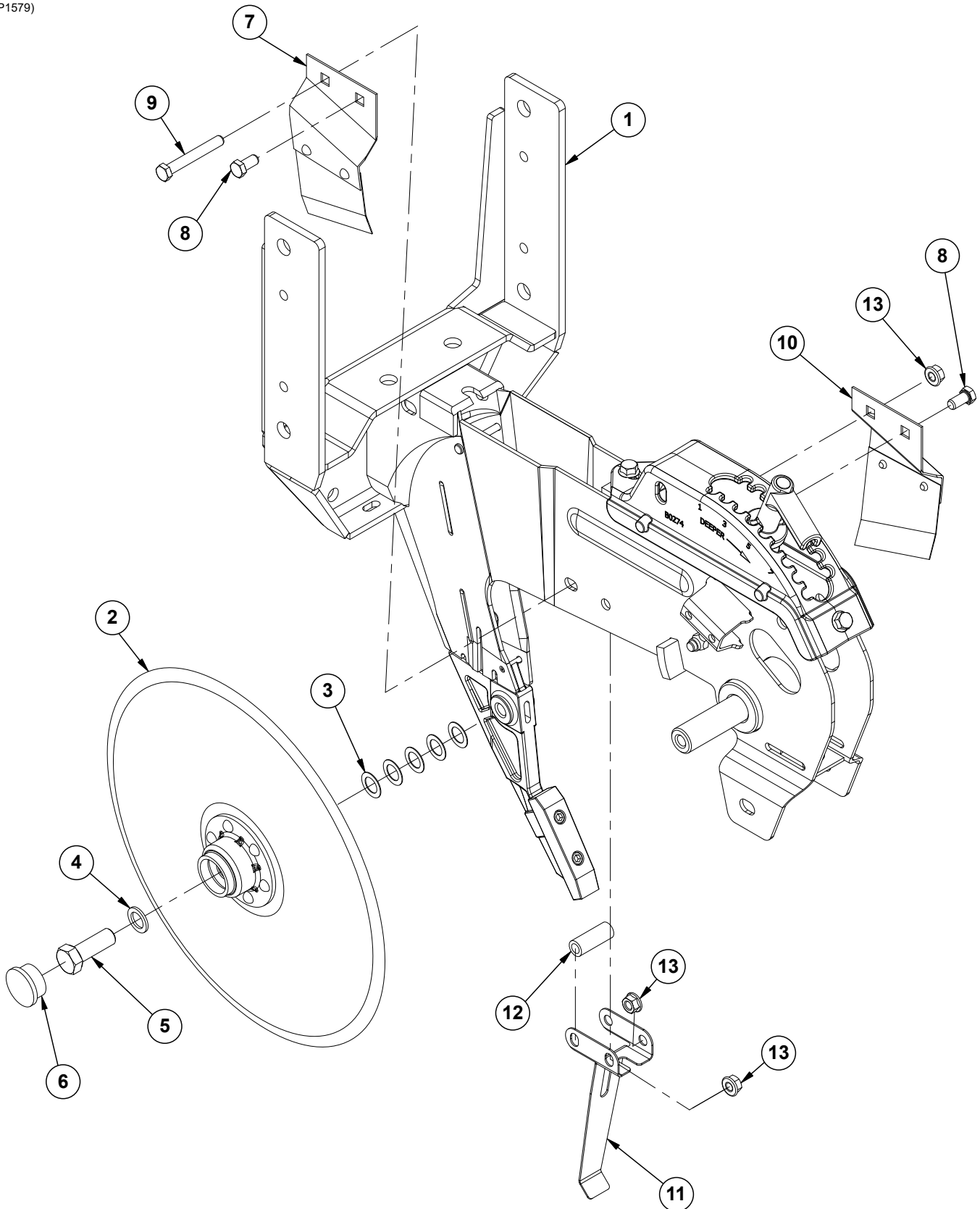
ITEM	PART NO.	QTY. (Per Row)	DESCRIPTION
1	GD1113	2	U-Bolt, 5" x 7" x 5/8"-11
	G10230	4	Lock Washer, 5/8"
	G10104	4	Hex Nut, 5/8"-11
2	GD10036	1	Mounting Support Plate
3	GD21337	4	Heavy Duty Down Pressure Spring
4	GB0186	2	Spring Anchor
5	GD14217	2	Tab Lock Pin, 7/16" x 1 1/2"
6	G10011201	1	Lower Parallel Arm Assembly
	GB1224		Self-Lubricating Bushing, 1 1/4" O.D. x 1" I.D. x 1/2" (Included in G10011201)
7	G10732	4	Hex Head Cap Screw, 5/8"-18 x 2"
8	G10011101	2	Upper Parallel Arm Assembly
	GB1224	2	Self-Lubricating Bushing, 1 1/4" O.D. x 1" I.D. x 1/2" (Included in G10011101)
9	---	1	<a href="#">See "Shank Assembly, Seed Tube, and Depth Adjustment" on page P3</a>
10	G10751	2	Hex Head Cap Screw, 5/8"-18 x 1 3/4"
11	G10752	2	Hex Head Cap Screw, 5/8"-18 x 2 1/4"
12	GB0314	2	Hopper Mount
13	GB0366	2	Extension Bracket
14	G10751	4	Hex Head Cap Screw, 5/8"-11 x 1 3/4"
	G11976	4	Flat Washer, 5/8" x 1 3/4"
	G11514	4	Non-Serrated Flange Locknut, 5/8"-18
15	GA1720	1	Bearing/Sprocket, 7/8" Hex Bore
16	G10004	2	Hex Head Cap Screw, 3/8"-16 x 1 1/4"
	G11091	2	Serrated Flange Nut, 3/8"-16
17	G11976	8	Flat Washer, 5/8" x 1 3/4"
18	GB1223	8	Self-Lubricating Bushing
19	G11514	8	Lock Nut, 5/8"-18
20	G3303-98	1	Chain, No. 41, 98 Pitch Including Connector Link (Mechanical)
	G3303-108	1	Chain, No. 41, 108 Pitch Including Connector Link (Vacuum)
	G3303-16	1	Chain, No. 41, 16 Pitch Including Connector Link (Used W/Row Unit Extension Brackets)
	G3303-114	1	Chain, No. 41, 114 Pitch Including Connector Link (Mechanical - 4 Center Rows Only)
	G3303-124	1	Chain, No.41, 124 Pitch Including Connector Link (Vacuum - 4 Center Rows Only)
	GR0196	-	Connector Link, No. 41
A	G6325X	-	U-Bolt Package For 5" x 7" Toolbar, Includes: (2) GD1113, (4) G10230, (4) G10104
B	G1K758	-	Pull Row Unit Parallel Arm Kit, Includes: (2) G10011101, (1) G10011201, (8) GB1223, (8) G11976, (4) G10732, (2) G10751, (2) G10752, (8) G11514, (1) IS1066

(IP1664)



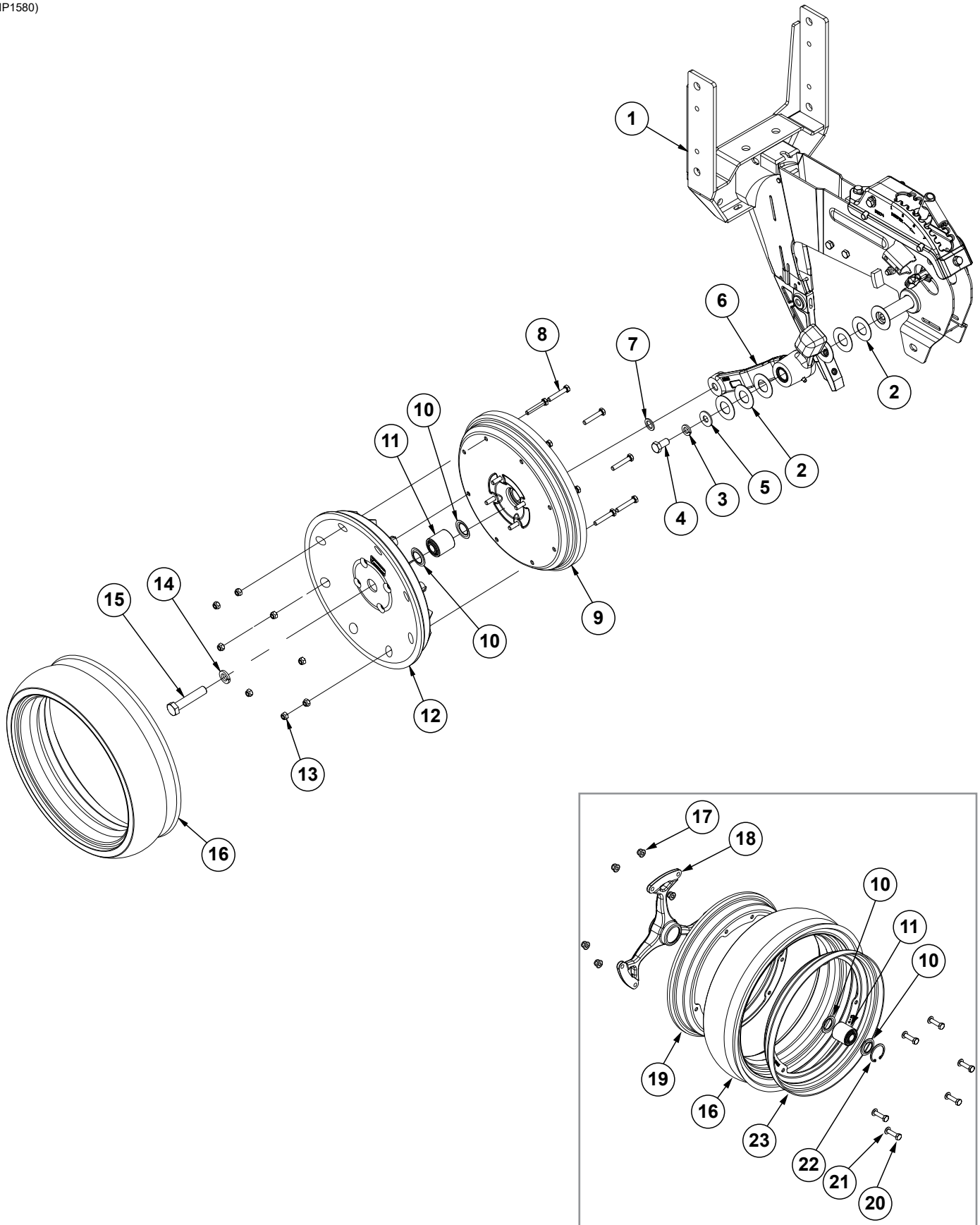
ITEM	PART NO.	QTY. (Per Row)	DESCRIPTION
1	GA16374	1	Electric Clutch
2	G10310	3	Carriage Bolt, 1/4"-20 x 3/4", Grade 2
3	G10621	3	Serrated Flange Nut, 1/4"-20
4	G10338	2	Carriage Bolt, 5/16"-18 x 1 1/4"
5	G11013001	1	Clutch Adapter Plate
6	GA10151	1	Seed Meter Clutch Assembly, 11/19 Tooth (Mechanical) Shown
	GA20640	-	Seed Meter Clutch Assembly, 11/28 Tooth (Vacuum)
7	G10620	2	Serrated Flange Nut, 5/16"-18
8	G3303-34	1	Chain, No. 41, 34 Pitch Including Connector Link (Mechanical)
	G3303-44	-	Chain, No. 41, 44 Pitch Including Connector Link (Vacuum)
9	G3303-88	1	Chain, No. 41, 88 Pitch Including Connector Link (Pull Row Unit) Shown
	G3303-103	4	Chain, No. 41, 103 Pitch Including Connector Link (4 Center Row Units Only)
10	G10048	2	Hex Head Cap Screw, 3/8"-16 x 2"
11	GA1720	1	Bearing/Sprocket, 7/8" Hex Bore
12	GD23774	3	Spacer
13	G11091	2	Serrated Flange Nut, 3/8"-16
14	---	1	<a href="#">See "Row Unit Idler (Electric Clutch)" on page P22</a>

(IP1579)



ITEM	PART NO.	QTY. (Per Row)	DESCRIPTION
1	---	1	<a href="#">See "Shank Assembly, Seed Tube, and Depth Adjustment" on page P3</a>
2	G10018801	2	Disc and Bearing Assembly
	GA26920	1	Bearing (Included W/G10018801)
	GD11306	1	Disc Blade, 3.5 mm x 15" (Included W/G10018801)
	GD36860	1	Bearing Housing (Included W/G10018801)
	GD36990	6	Rivet, 1/4" x 9/16" (Included W/G10018801)
3	GD30725	10	Machine Bushing, 5/8" (.030" Thick) (5 Per)
4	G10397801	2	Special Machine Bushing, 5/8" x 1" O.D.
5	GD36856	1	Opener Blade Bolt, 5/8"-11 x 1 3/4", Grade 5 (L.H. Threads)
	G10005	1	Hex Head Cap Screw, 5/8"-11 x 1 3/4"
6	G10090401	2	Plastic Ribbed Hub Cap (1 Per)
7	GA2012L	1	Disc Scraper, L.H.
8	G10002	2	Hex Head Cap Screw, 3/8"-16 x 3/4"
9	G10325	1	Hex Head Cap Screw, 3/8"-16 x 2 3/4"
10	GA2012R	1	Disc Scraper, R.H.
11	GD35444	1	Seed Tube Bracket
12	GD2971-31	1	Sleeve, 3/8" I.D x 5/8" O.D. x 1.78" Long
13	G10622	3	Serrated Flange Nut, 3/8"-16

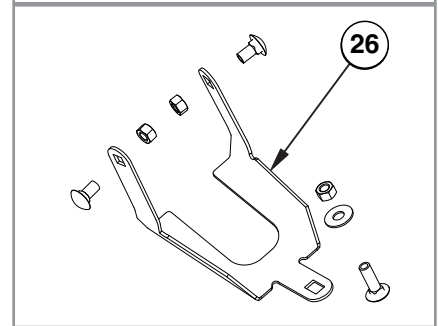
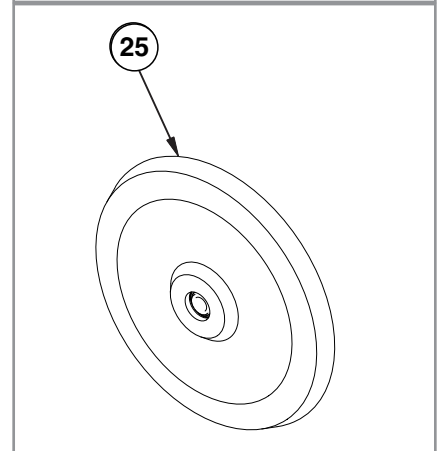
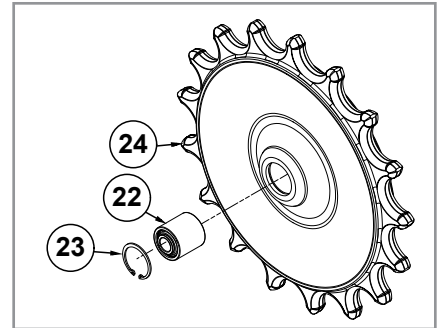
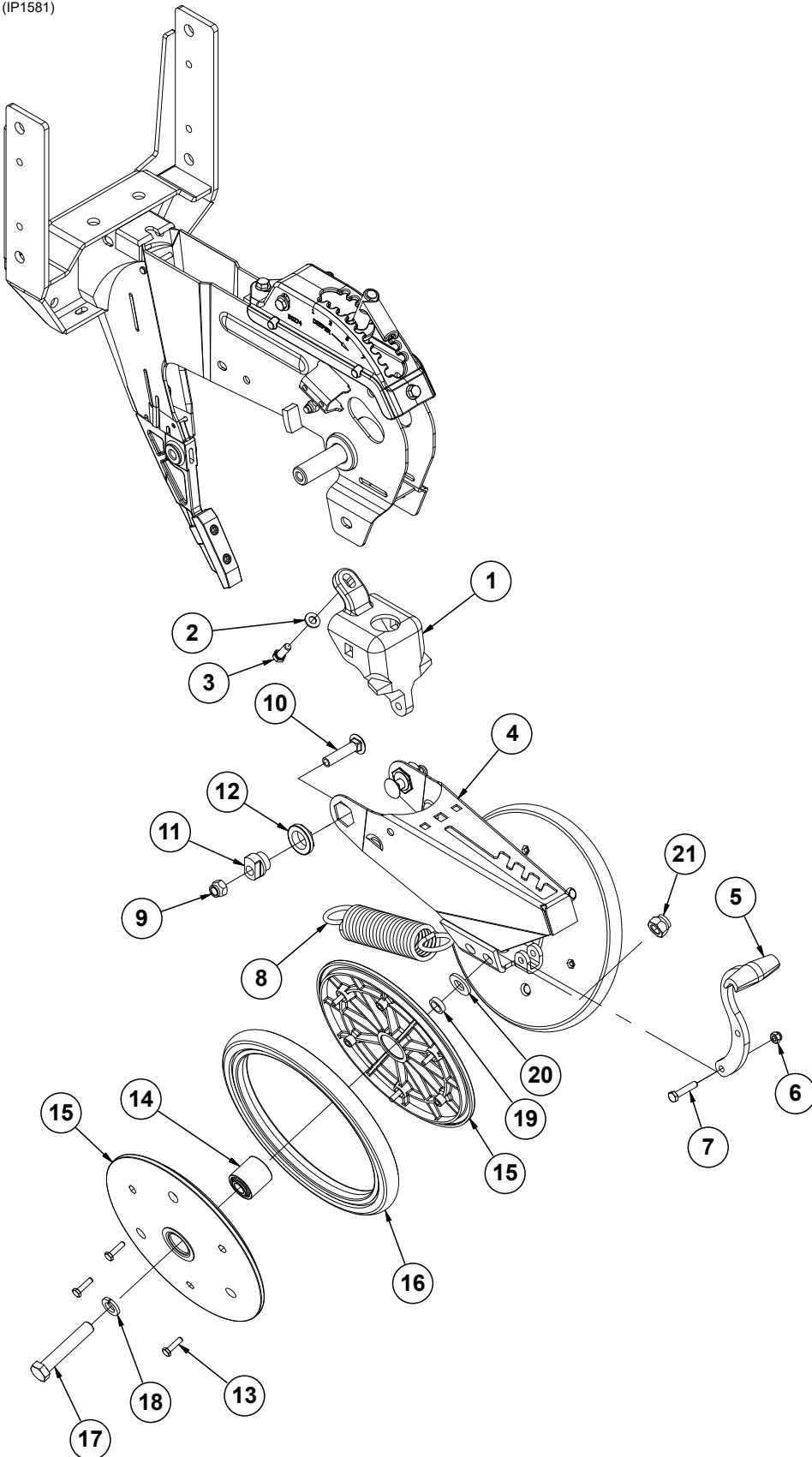
(IP1580)





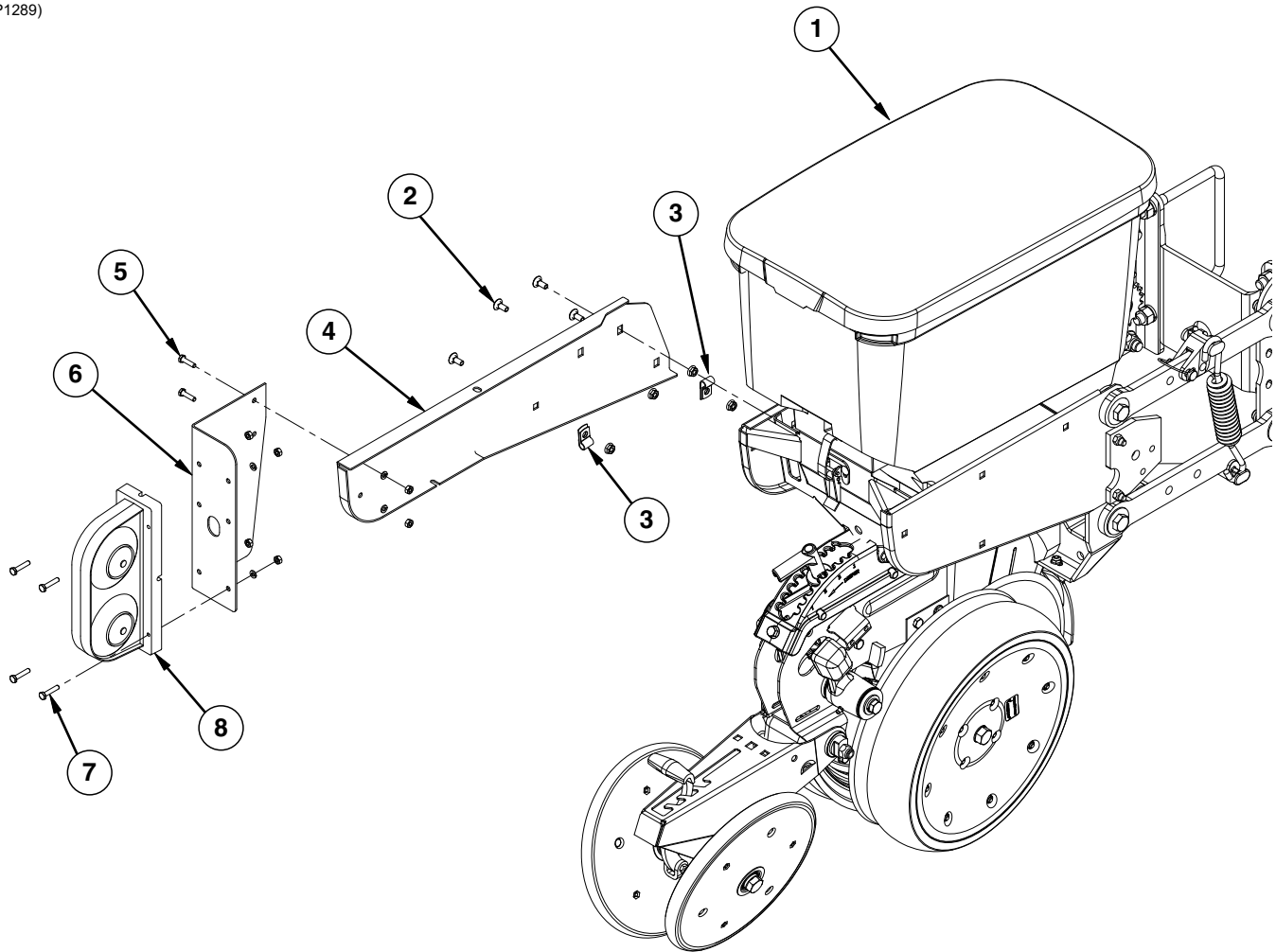
ITEM	PART NO.	QTY. (Per Row)	DESCRIPTION
1	---	-	<a href="#">See "Shank Assembly, Seed Tube, and Depth Adjustment" on page P3</a>
2	G10940	7	Machine Bushing, 1" (.048" Thick)
3	G10228	2	Lock Washer, 1/2"
4	G10014	2	Hex Head Cap Screw, 1/2"-13 x 1"
5	G10216	2	Washer, 1/2" USS
6	GA21677	1	Wheel Arm W/Grease Fitting, Bushings, and Seals, L.H. (Shown)
	GA21676	-	Wheel Arm W/Grease Fitting, Bushings, and Seals, R.H.
	GD10991	2	Seal (Per Arm) (Included W/GA21677 and GA21676)
	GB0276	2	Bushing, 1" I.D. x 1 1/4" O.D. x 1" Long (Per Arm) (Included W/GA21677 and GA21676)
7	G10397801	1	Special Machine Bushing, 5/8" x 1" O.D.
8	G10871701	8	Hex Non-Serrated Cap Screw, M8 x 45
9	G10028701	1	Half Gauge Wheel
	G10871601	4	Hex Non-Serrated Cap Screw, M8 x 25
	G11386	4	Flat Washer, 5/16" SAE
10	GD36713	2	Gauge Wheel Dust Shield
11	GA6171	1	Bearing
12	GD36709	1	Half Gauge Wheel
13	G10871801	12	Hex Flanged Lock Nut, Nylon Lock - M8
14	G10230	1	Lock Washer, 5/8"
15	G10010	1	Hex Head Cap Screw, 5/8"-11 x 3"
16	G10028601	1	Tire, 4 1/2" x 16
17	G10335001	6	Flange Wheel
18	G10334701	1	Flange Hub
19	G10334901	1	Flange Wheel
20	G10335101	6	Screw, M8 x 30/8.8
21	G11386	6	Flat Washer, 5/16" SAE
22	G10335201	1	Elastic Ring
23	G10334801	1	Flange Wheel
A	G10028801	-	Standard Gauge Wheel Complete (Items 8-13 and 16)
B	G1K296	-	Gauge Wheel Arm Bushing and Seal Driver Kit, Includes: (1) Seal Driver, (1) Bushing Driver, (1) Instruction
C	G10322501	-	Spoked Gauge Wheel Complete (Items 10-11 and 16-23)

(IP1581)



ITEM	PART NO.	QTY. (Per Row)	DESCRIPTION
1	GB0268	1	Wheel Arm Mount
2	G11387	1	Flat Washer, 3/8" SAE
3	G10001	1	Hex Head Cap Screw, 3/8"-16 x 1"
4	GA15197	1	Closing Wheel Arm
5	GB0254	1	Lever
6	G10109	1	Lock Nut, 5/16"-18, Grade 8
7	G10133	1	Hex Head Cap Screw, 5/16"-18 x 1 1/2"
8	GD8460	1	Spring
9	G10111	2	Lock Nut, 1/2"-13
10	G11419	2	Carriage Bolt, 1/2"-13 x 2 1/4"
11	GB0239	2	Eccentric Bushing
12	GB0282	2	Stepped Bushing
13	G10064	6	Hex Head Cap Screw, 1/4"-20 x 1"
14	GA6171	1	Bearing
15	GD9120	2	Nylon Half Wheel
16	GD1085	1	Rubber Tire, 1" x 12"
17	G10013	2	Hex Head Cap Screw, 5/8"-11 x 3 1/2"
18	G10230	2	Lock Washer, 5/8"
19	GD1109	2	Bushing, 4 1/64" I.D. x 7/8" O.D. x 1/4" Long
20	G11391	2	Flat Washer, 5/8" SAE
21	G10107	2	Lock Nut, 5/8"-11
22	GA6171	1	Bearing
23	G11862	1	Internal Retaining Ring
24	GA26958	1	Spiked Closing Wheel (Items 22 and 23)
25	GA6597	1	Cast Iron Closing Wheel W/Bearing
	GA6171	1	Bearing
26	G1K345	-	Closing Wheel Shield Kit W/Hardware and Instruction
	GD26146	1	Closing Wheel Shield (Included W/G1K345)
	G10599	1	Carriage Bolt, 3/8"-16 x 1 1/4" (Included W/G1K345)
	G10308	2	Carriage Bolt, 3/8"-16 x 3/4" (Included W/G1K345)
	G10101	3	Hex Nut, 3/8"-16 (Included W/G1K345)
	G10229	3	Lock Washer, 3/8" (Included W/G1K345)
	G11387	1	Hardened Washer, 3/8" SAE (Included W/G1K345)
A	GA6434	-	Rubber Closing Wheel Complete W/Bearing (Items 13-16)

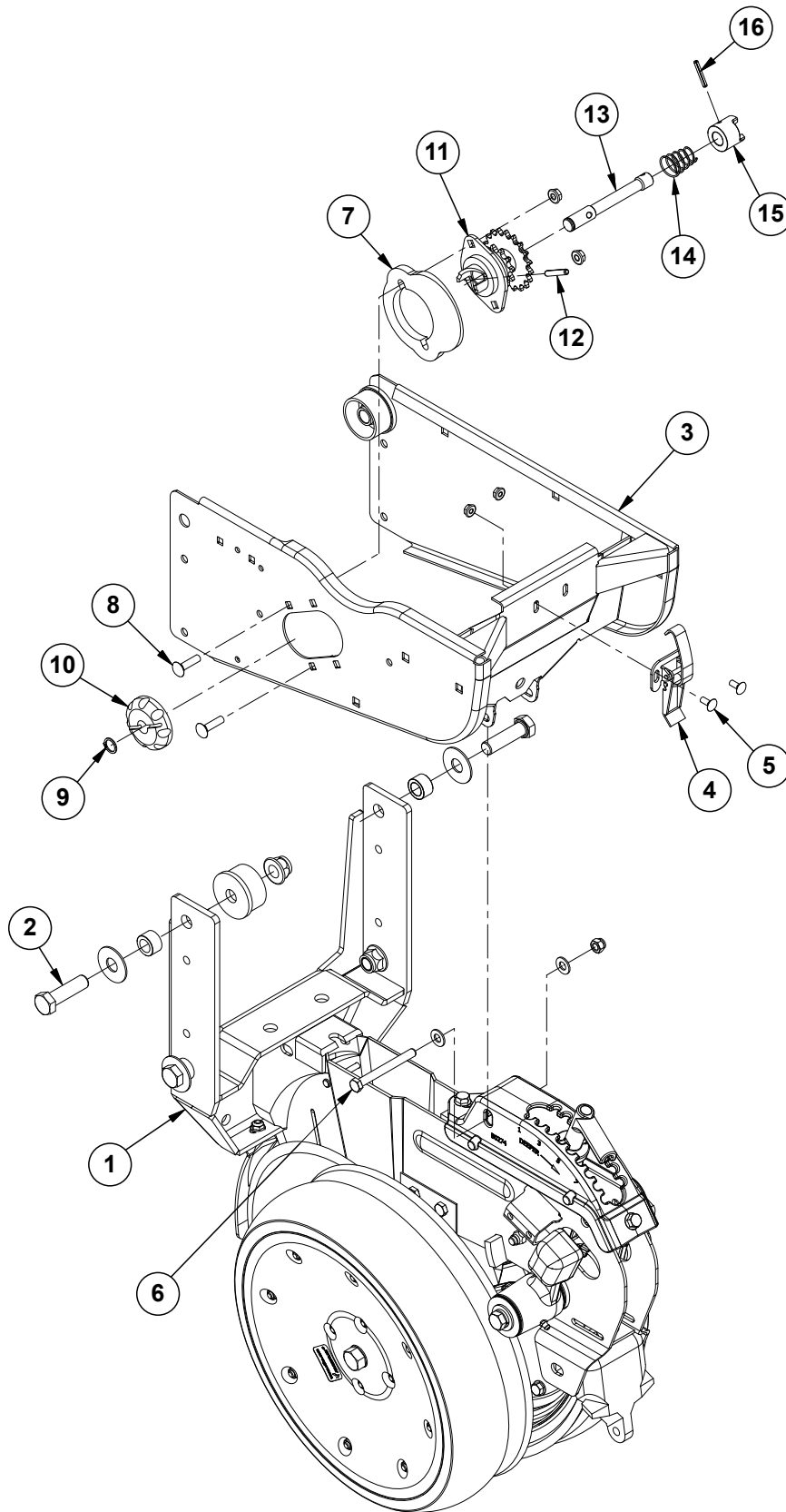
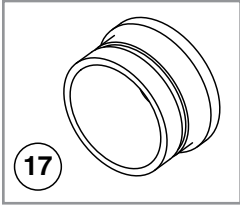
(IP1289)



ITEM	PART NO.	QTY.	DESCRIPTION
1	---	-	<a href="#">See "Shank Assembly, Seed Tube, and Depth Adjustment" on page P3</a> <a href="#">See "Parallel Arms, Mounting Support Plate, and Quick Adjustable Down Forces Springs Option" on page P7</a> <a href="#">See "Hopper Support and Meter Drive" on page P19</a>
2	G10312	4	Carriage Bolt, 5/16"-18 x 3/4"
	G10620	4	Serrated Flange Nut, 5/16"-18
3	GD6291	2	Insulated Clamp, 3/8"
4	GD36264	1	Light Mount Extension
5	G10064	2	Hex Head Cap Screw, 1/4"-20 x 1"
6	GD12724	1	Bracket
7	G10064	4	Hex Head Cap Screw, 1/4"-20 x 1"
	G10110	4	Lock Nut, 1/4"-20, Grade B
8	---	-	<a href="#">See "Electrical Components" on page P201</a>

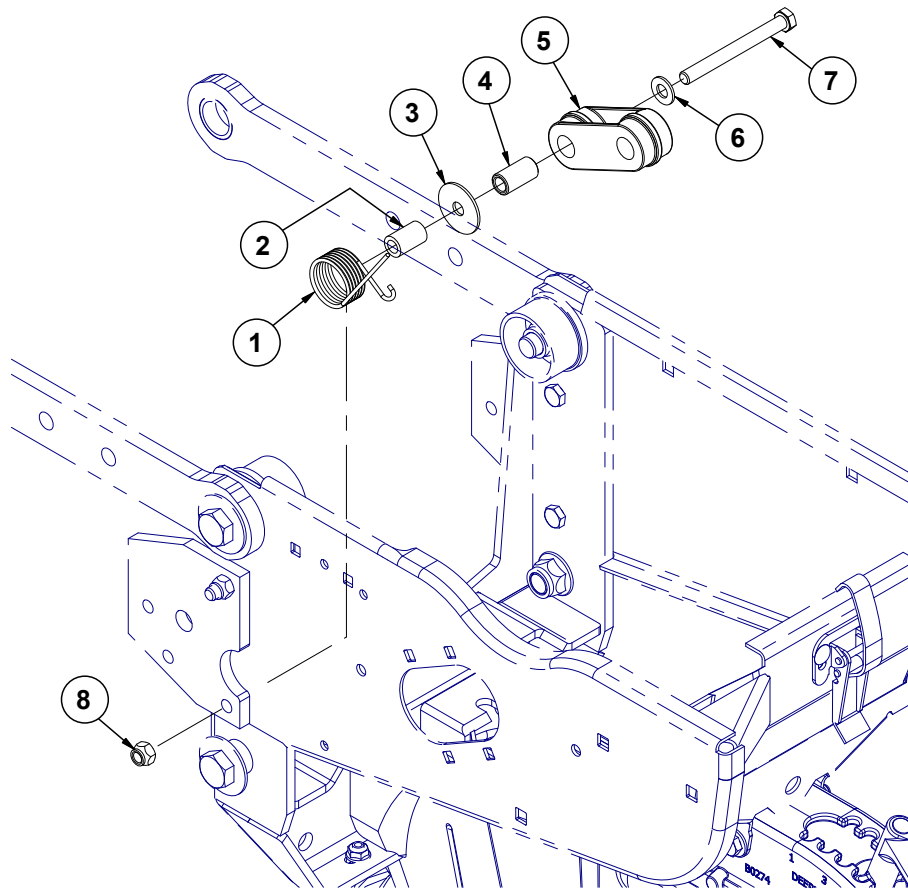
**This page left blank intentionally.**

(IP1582)



ITEM	PART NO.	QTY. (Per Row)	DESCRIPTION
1	---	1	<a href="#">See "Shank Assembly, Seed Tube, and Depth Adjustment" on page P3</a>
2	G10752	2	Hex Head Cap Screw, 5/8"-18 x 2 1/4"
3	G10329801	1	Hopper Support
4	GA2007	1	Hopper Hold Down Latch
5	G10309	2	Carriage Bolt, 1/4"-20 x 5/8", Grade 2
	G10621	2	Serrated Flange Nut, 1/4"-20
6	G10061	1	Hex Head Cap Screw, 3/8"-16 x 3 1/2"
	G11387	2	Flat Washer, 3/8" SAE
	G10108	1	Lock Nut, 3/8"-16
7	G11013001	1	Clutch Adapter Plate
8	G10338	2	Carriage Bolt, 5/16"-18 x 1 1/4"
	G10620	2	Serrated Flange Nut, 5/16"-18
9	G10567	1	External Retaining Ring, 5/8"
10	GD11239	1	Knob
11	GA10137	1	Double Sprocket and Bearing, Drive Clutch, 11/19 Tooth (Mechanical)
	GA12143	-	Double Sprocket and Bearing, Drive Clutch, 11/28 Tooth (Vacuum)
12	G10602	1	Spring Pin, 1/4" x 1 1/2"
13	GD29507	1	Clutch Shaft
14	GD11413	1	Spring
15	GB0278	1	Coupler
16	G10546	1	Spring Pin, 3/16" x 1 1/4"
17	GD17052	-	Vacuum Plug
A	GA10151	-	Seed Meter Clutch Assembly, 11/19 Tooth (Items 9-16) (Mechanical)
B	GA20640	-	Seed Meter Clutch Assembly, 11/28 Tooth (Items 9-16) (Vacuum)

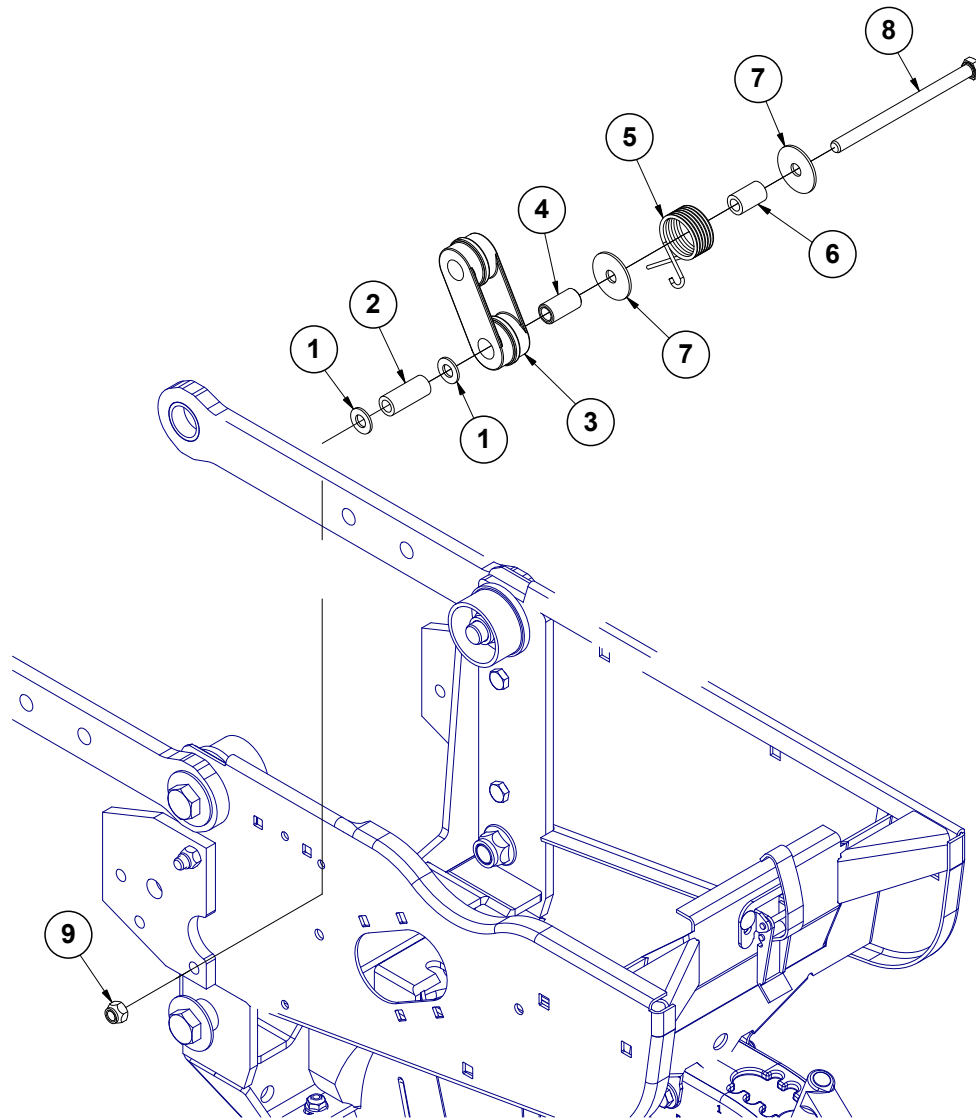
(IP1583)



ITEM	PART NO.	QTY. (Per Row)	DESCRIPTION
1	GD1065	1	Idler Spring
2	GD7318	1	Sleeve, 1" Long
3	G10201	1	Special Washer, 3/8" x 1 1/2" O.D.
4	GD1026	1	Sleeve, 1 3/16" Long
5	GD11962	1	Idler
6	G11387	1	Flat Washer, 3/8" SAE
7	G10326	1	Hex Head Cap Screw, 3/8"-16 x 3 3/4"
8	G10108	1	Lock Nut, 3/8"-16



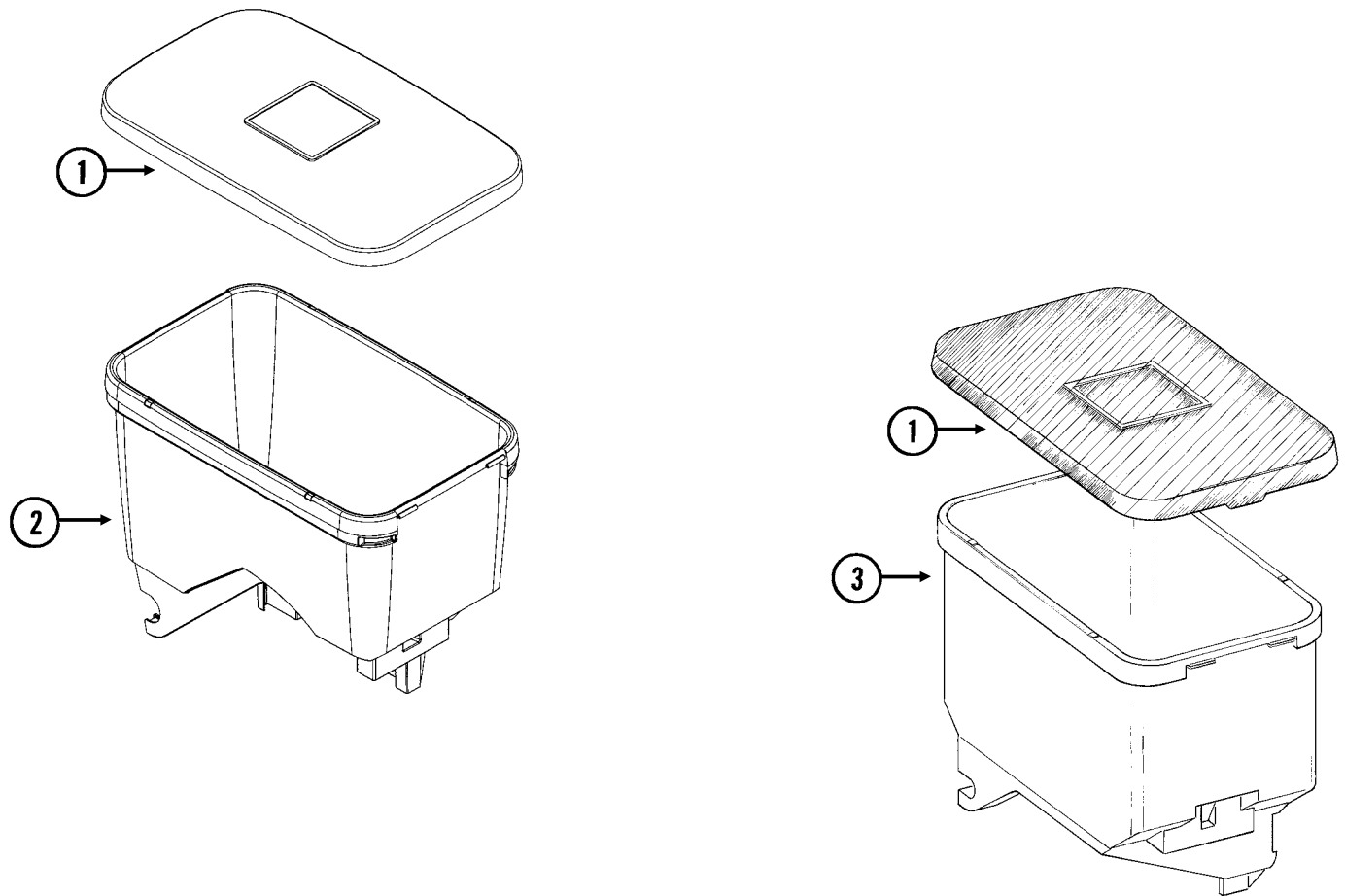
(IP1584)



ITEM	PART NO.	QTY. (Per Row)	DESCRIPTION
1	G11387	2	Flat Washer, 3/8" SAE
2	GD23773	1	Chain Idler Spacer
3	GD11962	1	Idler
4	GD1026	1	Sleeve, 1 3/16" Long
5	GD1065	1	Idler Spring
6	GD7318	1	Sleeve, 1" Long
7	G10201	2	Special Washer, 3/8" x 1 1/2" O.D.
8	G10687	1	Hex Head Cap Screw, 3/8"-16 x 5 1/2"
9	G10108	1	Lock Nut, 3/8"-16

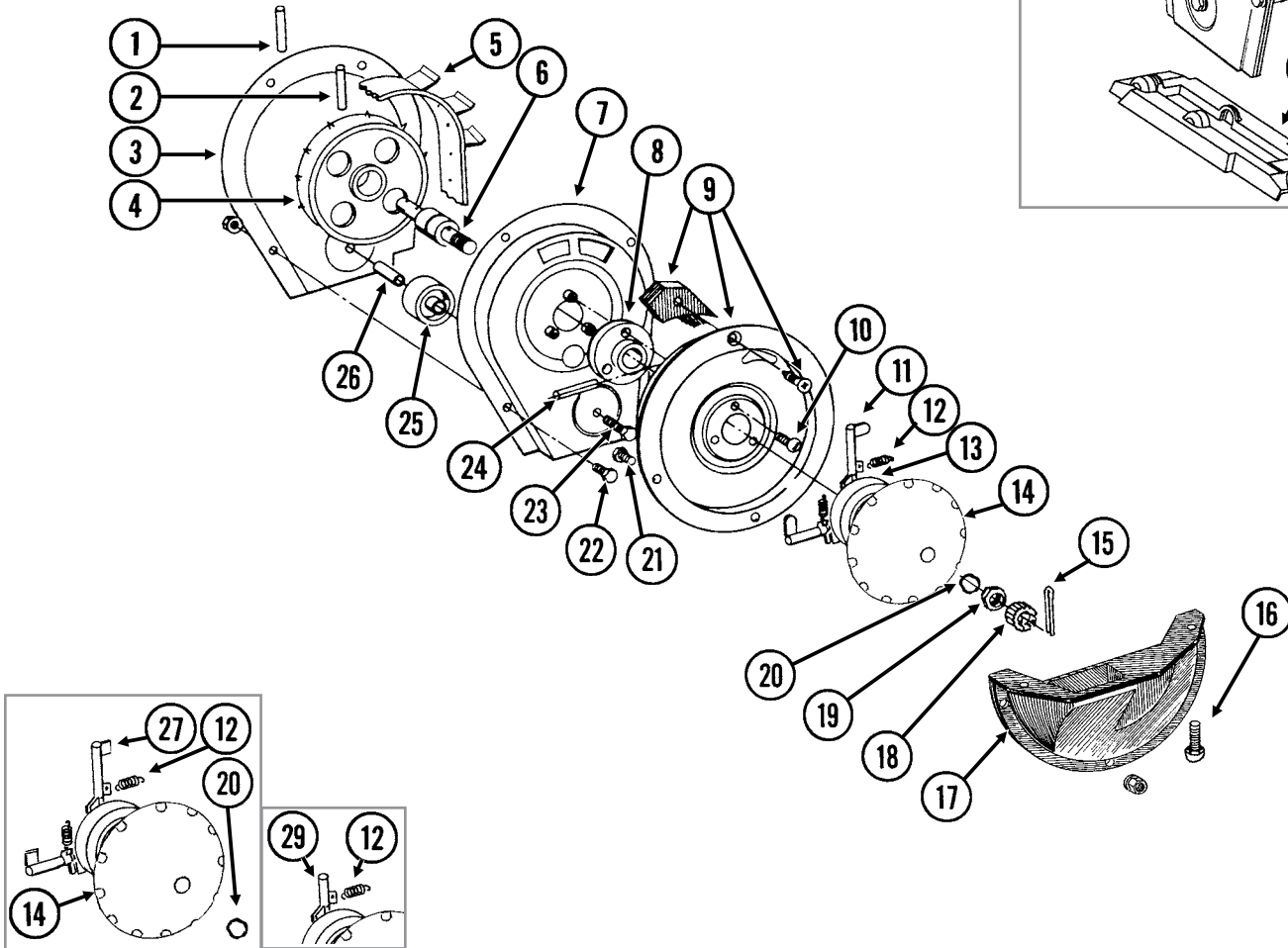
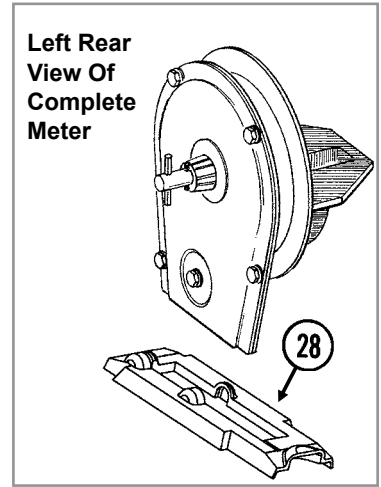
**This page left blank intentionally.**

(METR12/RU87e)

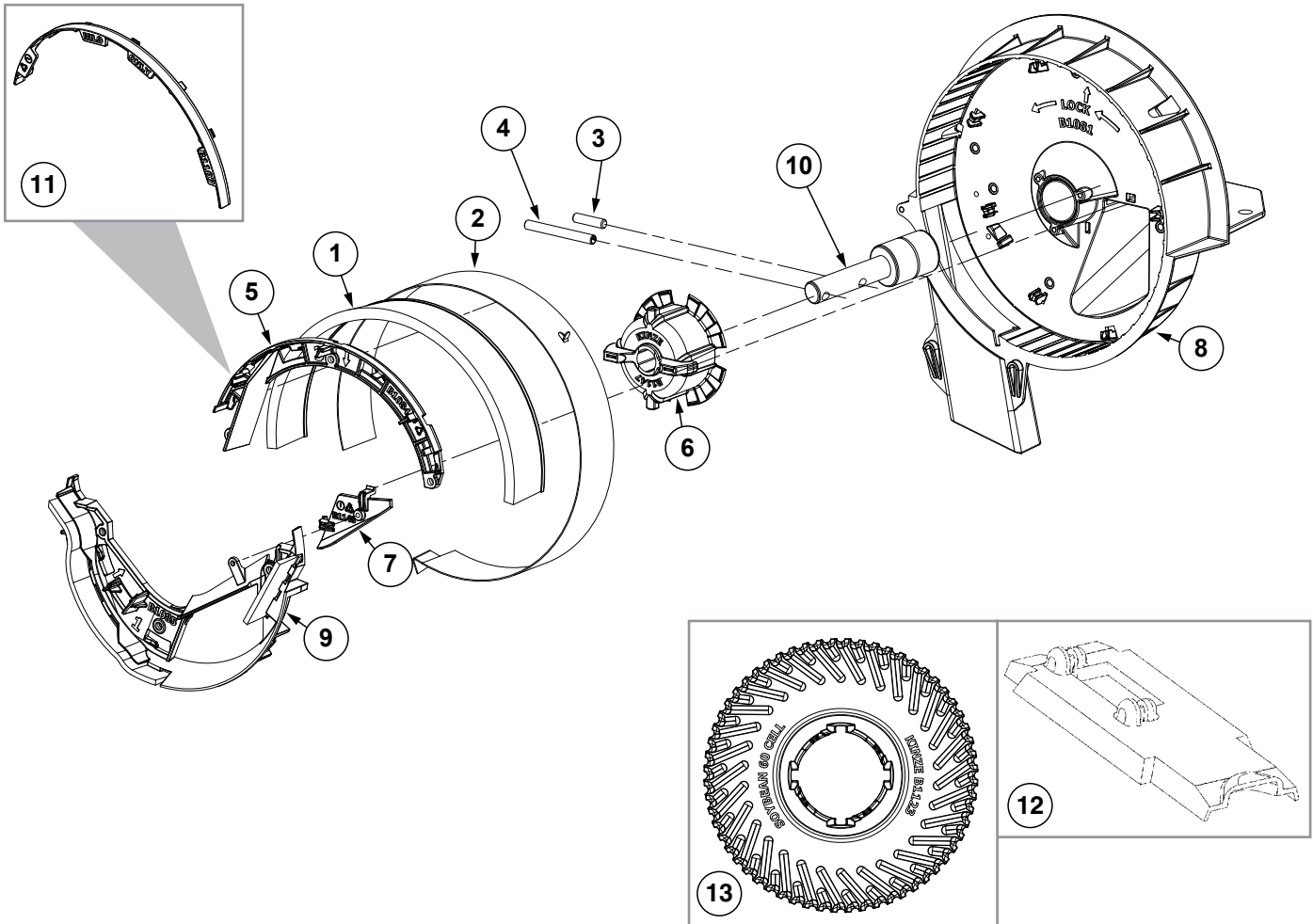


ITEM	PART NO.	QTY.	DESCRIPTION
1	GD11279	1	Lid
2	GA24873	1	Seed Hopper (Vacuum)
	GD12561	-	Threaded Insert, 5/16"-18 (Included W/GA20254)
3	GA9714	1	Seed Hopper, Reinforced (Mechanical)
	GD12561	-	Threaded Insert, 5/16"-18 (Included W/GA20254)

RUA015/RUA056/RUA057(RU13k/RU13d)

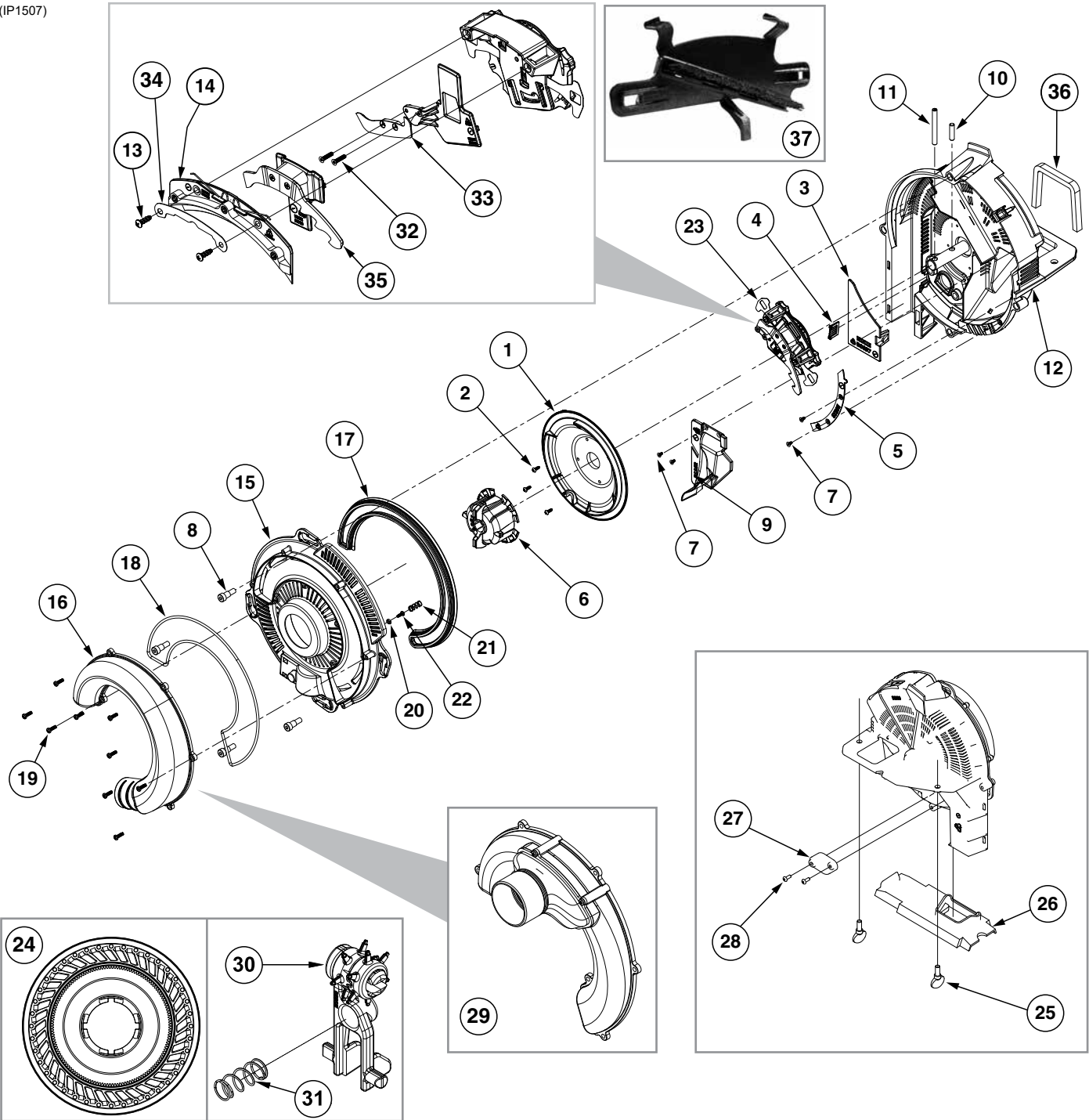


ITEM	PART NO.	QTY. (Per Row)	DESCRIPTION
1	G10602	1	Spring Pin, 1/4" x 1 1/2"
2	G10604	1	Spring Pin, 3/16" x 1 1/2"
3	G10429301	1	Housing Cover
4	GD1041	1	Belt Drive Sprocket
5	GD11286	1	Seed Belt
6	GA2019	1	Bearing
7	G10429101	1	Conveyor Housing
8	GB0110	1	Bearing Housing
9	GR1569	-	Carrier Plate W/Brush and Screw (Corn)
	GR0664	-	Carrier Plate W/Brush and Screw (Sunflower)
	GA2020	-	Brush
	G10690	-	Rolling Thread Screw, No. 10 x 3/4"
10	G10401	3	Slotted Hex Washer Head Screw, No. 10-32 x 5/8"
11	GD18704	12	Finger, Corn
12	GD19790	12	Spring
13	GB0410	1	Cam
14	GD11528	1	Finger Holder
15	G10470	1	Cotter Pin, 5/32" x 1"
16	G11009	2	Locking Thumbscrew, 5/16"-18 x 3/4"
17	GD36922	1	Seed Baffle
18	GD1083	1	Cover Nut
19	G10500	1	Jam Nut, 5/8"-18 UNF
20	GA8343	1	Wave Washer, 5/8" (Triple Wave)
21	G10020	3	Hex Head Cap Screw, 1/4"-20 x 5/8"
	G10323	3	Hex Flange Nut, 1/4"-20, No Serrations
22	G10022	4	Hex Head Cap Screw, 1/4"-20 x 1/2"
	G10621	4	Serrated Flange Nut, 1/4"-20
23	G10021	1	Hex Head Cap Screw, 1/4"-20 x 1 1/2"
	G10621	1	Serrated Flange Nut, 1/4"-20
24	G10603	1	Spring Pin, 1/4" x 1 1/4"
25	GD1042	1	Idler
26	GB0120	1	Bushing, 1 7/64" I.D. x 1 1/32" Long
27	GD19333	12	Finger, Oil Sunflower
28	GD15698	1	Shank Cover, Finger Pickup Seed Meter
29	GD11787	-	Half Rate Blank Finger
A	GR1848	-	Finger Assembly, Corn (Items 11-14 and 20)
B	GR2154	-	Finger Assembly, Oil Sunflower (Items 12, 14, 20, 27, and 30)
C	700-01078	-	Corn Meter (Items 1-26 and 28)



ITEM	PART NO.	QTY. (Per Row)	DESCRIPTION
1	GA5699	1	Upper Brush
2	GD8778	1	Wear Strip
3	G11448	1	Pin, 1/4" x 1"
4	G10475	1	Spring Pin, 1/4" x 2 1/4"
5	GB1084	1	Upper Brush Retainer (Used W/Soybean and Wheat Discs)
6	GB1147	1	Disc Hub
7	GB1148	1	Lower Retainer Wall
8	G10478101	1	Brush Meter Housing
9	G10476201	1	Lower Brush Retainer Assembly
	G10266501	1	Lower Brush Retainer (Included W/G10476201)
	GD34021-02	1	Brush, 6" (Included W/G10476201)
	GD35784-01	1	Brush, 2" (Included W/G10476201)
10	GA5698	1	Bearing
11	GB1107	-	Upper Brush Retainer (Used W/Milo/Grain Sorghum Discs)
12	GD15699	1	Shank Cover, Brush-Type Seed Meter
13	GB1123		Seed Disc, Soybean, 60 Cell, Black Color-Coded
	GB1171		Seed Disc, Soybean, 54 Cell, Dark Gray Color-Coded
	GB1124		Seed Disc, Soybean, 48 Cell, Dark Blue Color-Coded
	GB1130		Seed Disc, Small Milo/Grain Sorghum, 30 Cell, Orange Color-Coded
	GB1131		Seed Disc, Large Milo/Grain Sorghum, 30 Cell, Light Blue Color-Coded
	GB1132		Seed Disc, High Rate Small Milo/Grain Sorghum, 60 Cell, Red Color-Coded
	GB1133		Seed Disc, High Rate Large Milo/Grain Sorghum, 60 Cell, Yellow Color-Coded
	GB1134		Seed Disc, Wheat, 54 Cell, Purple Color-Coded
A	700-01339	-	Brush Meter 2.0 (Items 1-11)

(IP1507)

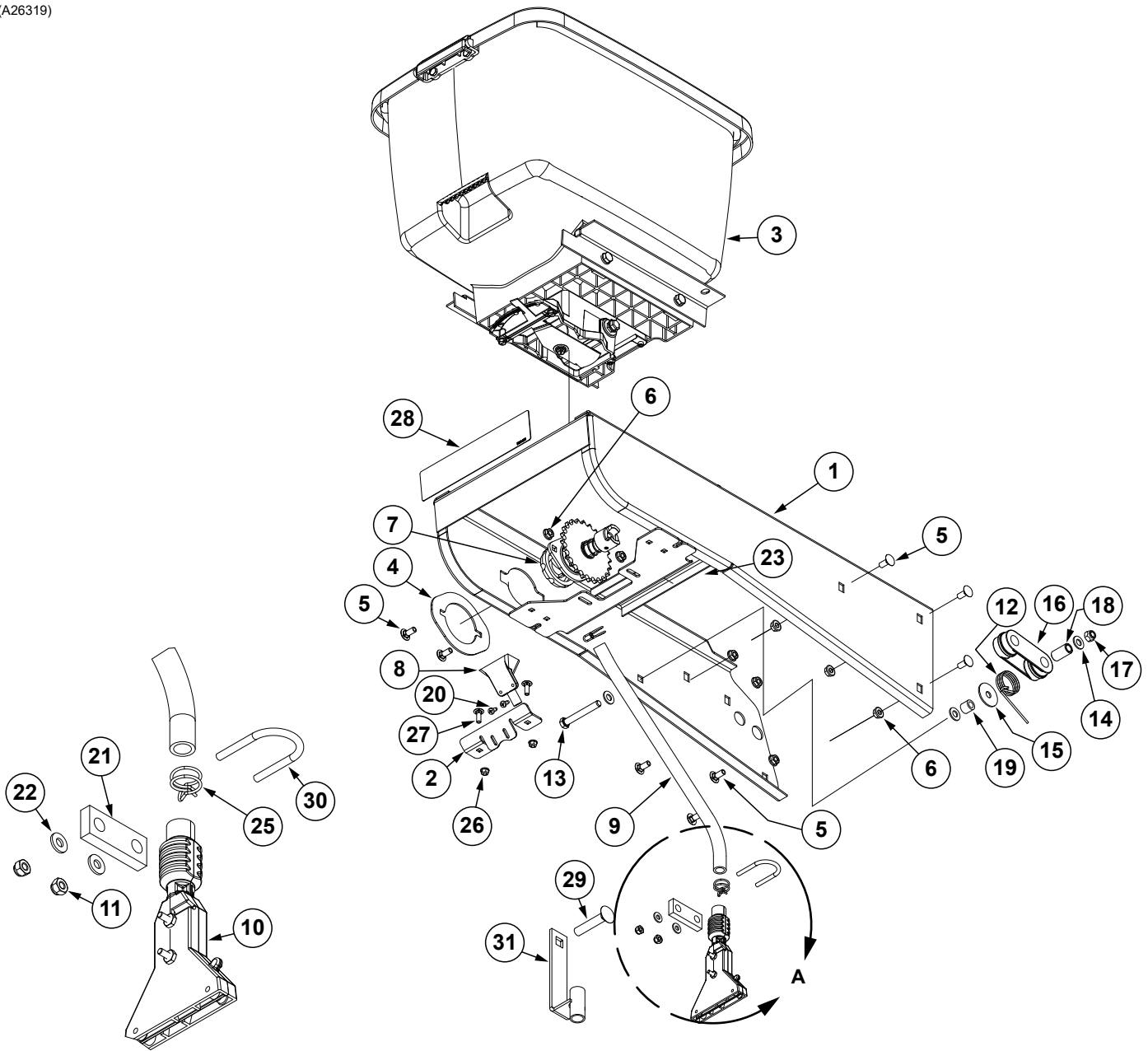


ITEM	PART NO.	QTY.	DESCRIPTION
1	GB0815	1	Shield
2	G11965	3	Torx Pan Head Tapping Screw, No. 6-19 x 3/8"
3	GB0697	1	Chute Cover
4	GB0780	1	Brush
5	GB0823	1	Baffle
6	GB1147	1	Disc Hub

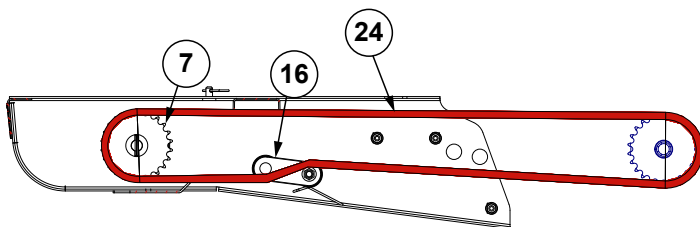


ITEM	PART NO.	QTY.	DESCRIPTION
7	G11618	4	Torx Flat Head Tapping Screw, No. 6-19 x ¼"
8	G11172	4	Hex Socket Head Shoulder Screw, ¼"-20 x ⅜", Stainless Steel
9	GA24878	1	Baffle Assembly
10	G11448	1	Pin, ¼" x 1"
11	G10475	1	Spring Pin, ¼" x 2¼"
12	GA24877	1	Meter Housing W/Bearing
13	G11578	2	Phillips Pan Head Tapping Screw, No. 8-18 x ½"
14	GA24676	1	Singulator Guide Assembly
15	GB0920	1	Cover
16	GB0818	1	Vacuum Port, Pull Row Unit
17	GB0676	1	Lip Seal
18	GD26593	1	Gasket Housing
19	G11556	9	Phillips Pan Head Tapping Screw, 6-19 x ½"
20	GB0907	1	Retainer Spring
21	G10483101	1	Compression Spring
22	G11619	1	Phillips Pan Head Tapping Screw, No. 6-19 x ⅜"
23	GA24752	1	Singulator Assembly (Includes Items 13 and 14)
24	G11152X	1	Seed Disc, Corn (40 Cell) Light Blue Color-Coded, Ejector Wheel, and Spring
	G11047X	-	Seed Disc, Soybean (120 Cell) Black Color-Coded, Ejector Wheel, and Spring
	G11154X	-	Seed Disc, Sugar Beets/Milo, Dark Orange Color-Coded, Ejector Wheel, and Spring
	G11153X	-	Seed Disc, Sunflower (40 Cell) Gray Color-Coded, Ejector Wheel, and Spring
	G11105X	-	Seed Disc, Cotton (60 Cell) Green Color-Coded, Ejector Wheel, and Spring
	G11106X	-	Seed Disc, Black Turtle, Navy Edible Bean and Popcorn (60 Cell) Brown Color-Coded, Ejector Wheel, and Spring
	G11107X	-	Seed Disc, Pinto, Great Northern Edible Beans, and Soybean (60 Cell) Dark Blue Color Coded, Ejector Wheel, and Spring
	GB1237	-	Anti-Static Blank Seed Disc
	GB1231	-	Blank Seed Disc
	G11048X	-	Seed Disc, Soybean (60 Cell) Black Color-Coded
	G11042X	-	Seed Disc, Wheat (54 Cell) Purple Color-Coded
	G11332X	-	Seed Disc, Wheat (231 Cell) Red Color-Coded, Ejector Wheel, Spring, and Wheat Brush Singulator (Item 37)
25	G11009	2	Locking Thumbscrew, ⅝"-18 x ¾"
26	GB0926	1	Shank Cover
27	GD28631	1	Cover Plate
28	G11281	2	Hex Button Head Cap Screw, 10-24 x ½"
29	GA20111	1	Vacuum Port, Push Row Unit
30	G10665101	-	Ejector Arm, Corn
	G10483401	-	Ejector Arm, Soybean (120 Cell)
	G10665001	-	Ejector Arm, Sunflower
	G10664901	-	Ejector Arm, Beets/Milo
	G10614301	-	Ejector Arm, Black Turtle, Navy, Pinto, Great Northern Edible Bean, Popcorn
	G10483201	-	Ejector Arm, Soybean (60 Cell)
	GA26989	-	Ejector Arm, Wheat (54 Cell)
	G10936101	-	Ejector Arm, Wheat (231 Cell)
31	G10483101	-	Compression Spring
32	G11693	2	Torx Flat Head Machine Screw, No. 4-40 x ½"
33	GB0921	1	Lower Blade
34	GD29657	1	Retainer
35	GB0958	1	Outer Blade
36	GD34774	1	Meter Gasket
37	G10983301	1	Wheat Brush Singulator Assembly
	G10983101	1	Wheat Brush Mount (Included W/G10983301)
	G10983201	1	Brush (Included W/G10983301)
A	G9903X	-	Vacuum Meter Assembly, Pull Row Unit (Excludes Items 24 and 29-31)
B	G9897X	-	Vacuum Meter Assembly, Push Row Unit (Excludes Items 16, 24, and 30-31)
C	GA20622	-	Cover Assembly (Items 15-22)

(A26319)



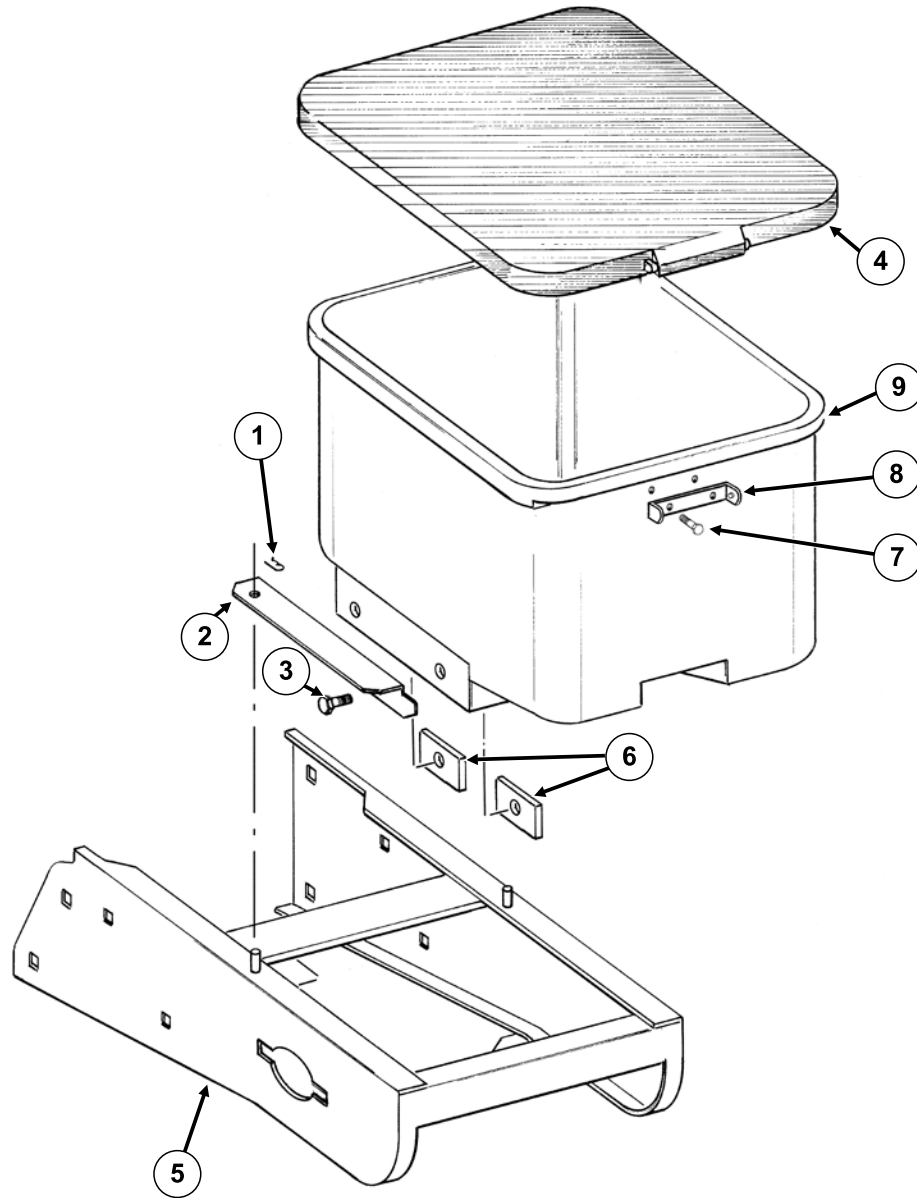
Detail A



Chain Routing

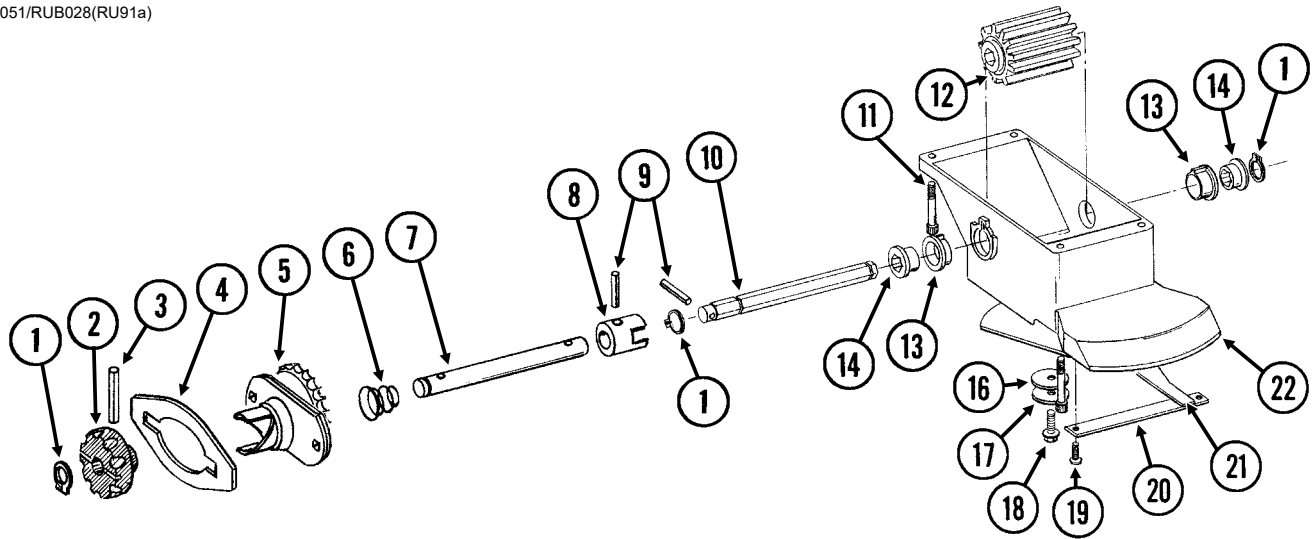
ITEM	PART NO.	QTY. (Per Row)	DESCRIPTION
1	GA26287	1	Hopper Panel Extension <b>(Non-Stock Item)</b>
2	GD36277	1	Funnel Bracket
3	---	-	<a href="#">See "Granular Chemical Hopper and Hopper Panel Extension" on page P33</a>
4	GD11305	1	Plate
5	G10312	8	Carriage Bolt, 5/16"-18 x 3/4"
6	G10620	8	Serrated Flange Nut, 5/16"-18
7	---	1	<a href="#">See "Granular Chemical Meter and Meter Drive" on page P34</a>
8	GD2423	1	Funnel
9	GD2947	1	Hose, 7/16" x 28"
10	GA6907	1	Slope-Compensating Bander W/Hardware (4 1/2" Band Width)
	G10864	1	Uni-Clamp (Included W/GA6907)
	G10757	2	Pan Head Screw, No. 10-32 x 1 1/4" (Included W/GA6907)
	G10758	2	Hex Nut, No. 10-32 (Included W/GA6907)
11	G10110	2	Lock Nut, 1/4"-20, Grade B
12	GD11219	1	Spring
13	G10325	1	Hex Head Cap Screw, 3/8"-16 x 2 3/4"
14	G11387	3	Flat Washer, 3/8" SAE
15	G10201	1	Special Washer, 3/8" x 1 1/2" O.D.
16	GD11962	1	Idler
17	G10108	1	Lock Nut, 3/8"-16
18	GD1026	1	Sleeve, 1 3/16" Long
19	GD2971-10	1	Sleeve, 9/16" Long
20	G10966	2	Phillips Head Self-Tapping Screw, No. 10 x 1/2"
21	GD10984	1	Spacer
22	G11385	2	Flat Washer, 1/4" SAE
23	G10670	2	Hair Pin Clip, No. 3
24	G3303-114	1	Chain, No. 41, 114 Pitch Including Connector Link (Mechanical)
	G3303-108	-	Chain, No. 41, 108 Pitch Including Connector Link (Vacuum)
	GR0196	1	Connector Link, No. 41
25	G11209	2	Wire Hose Clamp, 3/4"
26	G10621	2	Serrated Flange Nut, 1/4"-20
27	G10310	2	Carriage Bolt, 1/4"-20 x 3/4", Grade 2
28	---	-	<a href="#">See "Decals, Paint, and Miscellaneous" on page P261</a>
29	G10315	1	Carriage Bolt, 1/2"-13 x 2 1/2" (Replaces Existing 1/2" x 2 1/4" Hardware)
30	GD10963	1	U-Bolt, 1 1/2" x 1 5/16" x 1/4"-20
31	GA6741	1	Bracket (Straight Drop In-Furrow)

(METR14d)



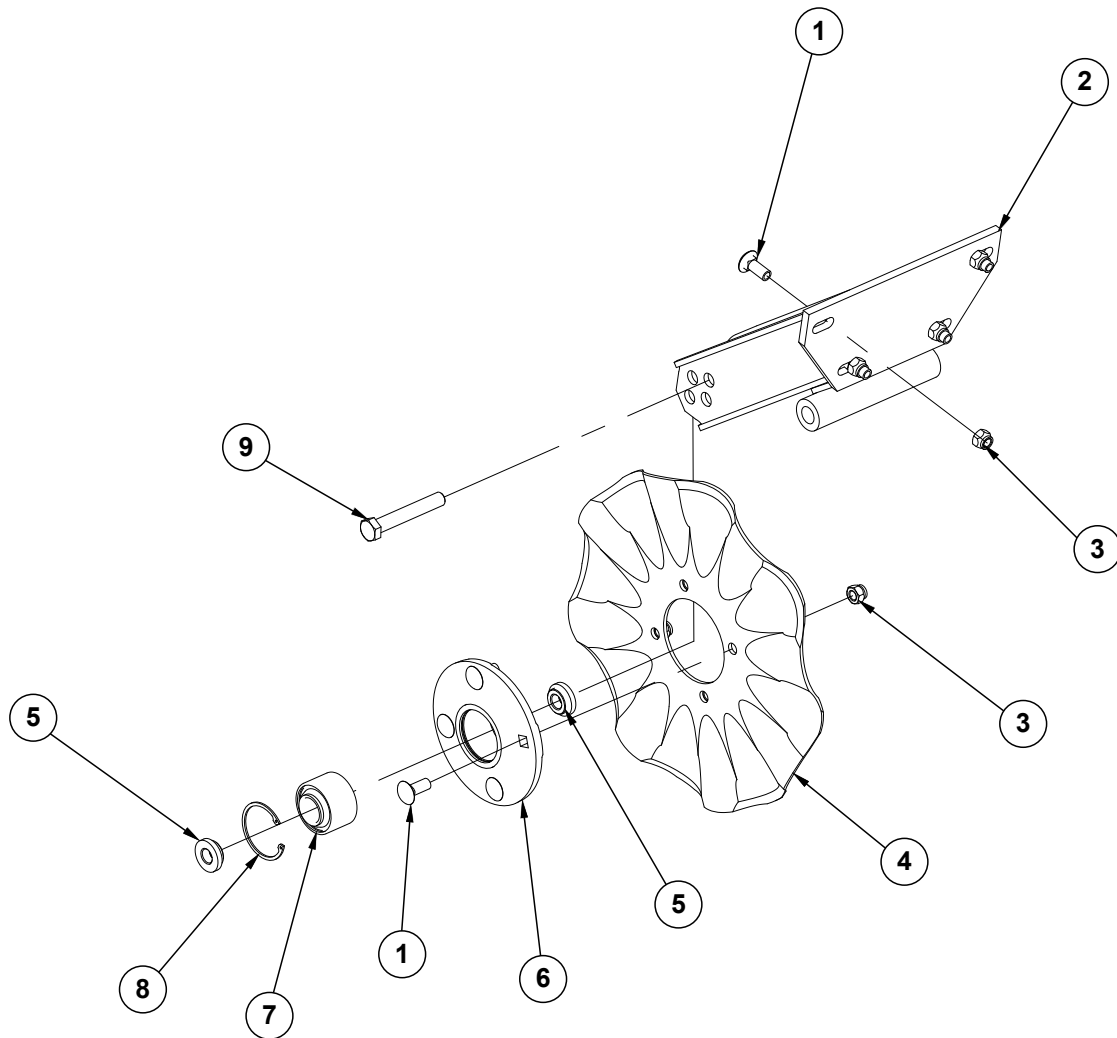
ITEM	PART NO.	QTY. (Per Row)	DESCRIPTION
1	G10670	2	Hair Pin Clip, No. 3
2	GD1059L	1	Support, L.H. (Shown)
	GD1059R	1	Support, R.H.
3	G10002	4	Hex Head Cap Screw, 3/8"-16 x 3/4"
	G10229	4	Lock Washer, 3/8"
4	GA4444	1	Lid
5	GA26287	1	Hopper Panel Extension ( <b>Non-Stock Item</b> )
6	GD11424	4	Block
7	G10023	2	Hex Head Cap Screw, 1/4"-20 x 3/4"
	G10621	2	Serrated Flange Nut, 1/4"-20
8	GD1060	1	Hinge
9	GA8371	1	Hopper

RUA051/RUB028(RU91a)



ITEM	PART NO.	QTY. (Per Row)	DESCRIPTION
1	G10567	3	External Retaining Ring, 5/8"
2	GD11239	1	Knob
3	G10602	1	Spring Pin, 1/4" x 1 1/2"
4	---	-	<a href="#">See "Granular Chemical Hopper and Hopper Panel Extension" on page P33</a>
5	GA8364	1	Sprocket and Bearing, Drive Clutch, 24 Tooth
6	GD11413	1	Spring
7	GD11240	1	Shaft
8	GB0278	1	Coupler
9	G10546	2	Spring Pin, 3/16" x 1 1/4"
10	GD11297	1	Shaft
11	G11793	4	Hex Socket Head Cap Screw, No. 10-24 x 7/8"
12	GD7148	1	Feed Roller, Hex Bore
13	GB0115	2	Bearing
14	GD7258	2	Hex Bushing
15	---	-	---
16	G10660	1	Wave Washer, 1/2"
17	G11385	1	Flat Washer, 1/4" SAE
18	G10570	1	Slotted Hex Self-Tapping Screw, 1/4"-20 x 3/4"
19	G11073	2	Slotted Hex Self-Tapping Screw, No. 10 x 3/8"
20	GD1061	1	Support Strap
21	GD1063	1	Metering Gate
22	GB0116	1	Granular Housing
A	GA8326	-	Granular Chemical Meter Complete (Items 1, 9, 10, 12-14 and 16-22)
B	GA8366	-	Granular Chemical Meter Clutch (Items 1-3 and 5-9)

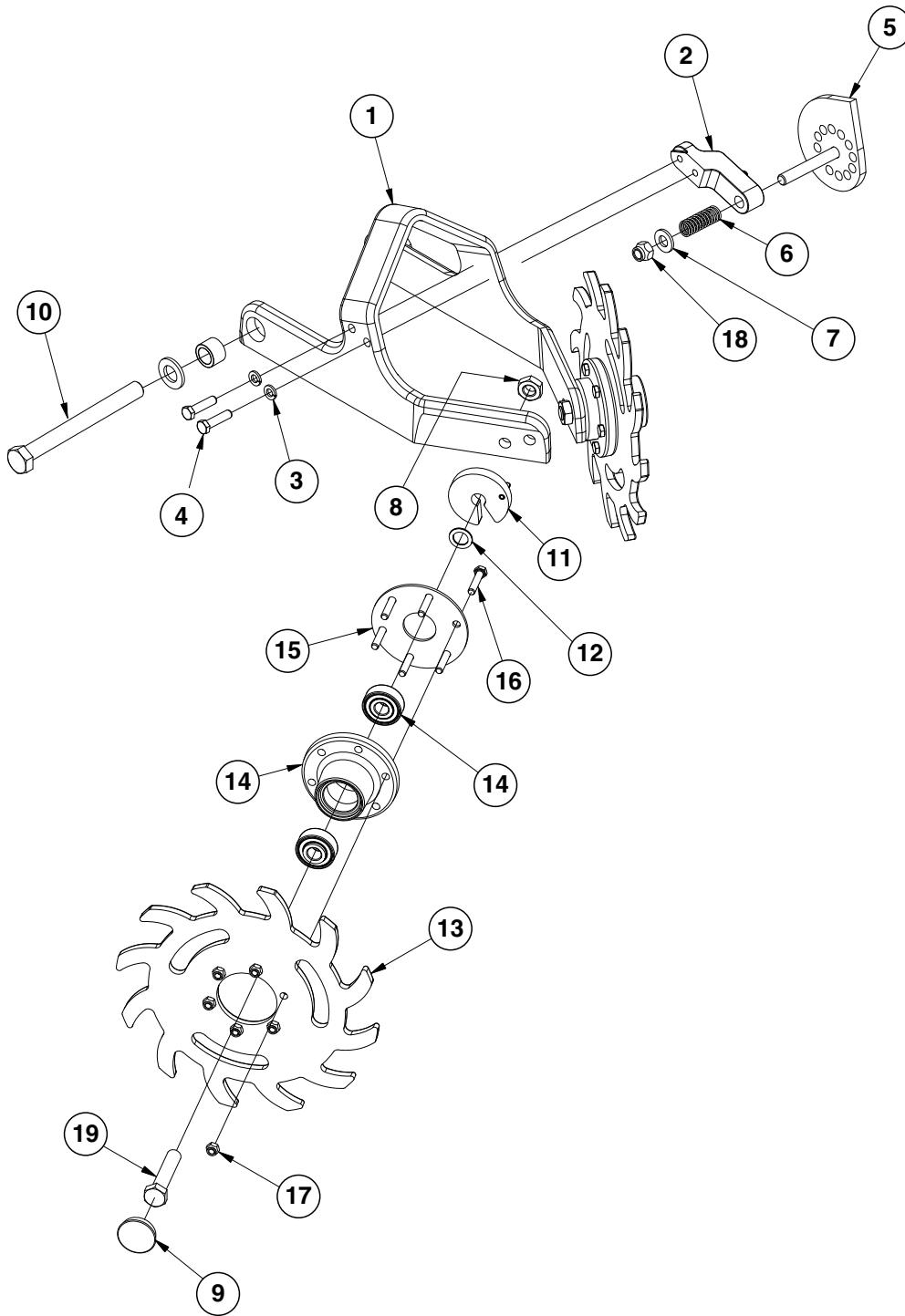
(IP1279)



ITEM	PART NO.	QTY. (Per Row)	DESCRIPTION
1	G10636	8	Carriage Bolt, 1/2"-13 x 1 1/2"
2	GA24239	1	Arm
3	G10111	8	Lock Nut, 1/2"-13
4	GD7803	1	Disc Blade, Fluted, 1", 8 Flutes (Shown)
	GD7804	-	Disc Blade, Bubbled, 1"
	GD9254	-	Disc Blade, Fluted, 3/4", 13 Flutes
	G10901301	-	Disc Blade, Fluted, 5/8", 25 Waves
5	GD11677	2	Adapter
6	GA8641	1	Hub W/Bearing And Retaining Ring (Includes items 7 and 8)
7	GA8603	1	Bearing, Double Row
8	GD19292	1	Retaining Ring (Square), 2 7/16"
9	G10036	1	Hex Head Cap Screw, 5/8"-11 x 4"
	G10107	1	Lock Nut, 5/8"-11

**This page left blank intentionally.**

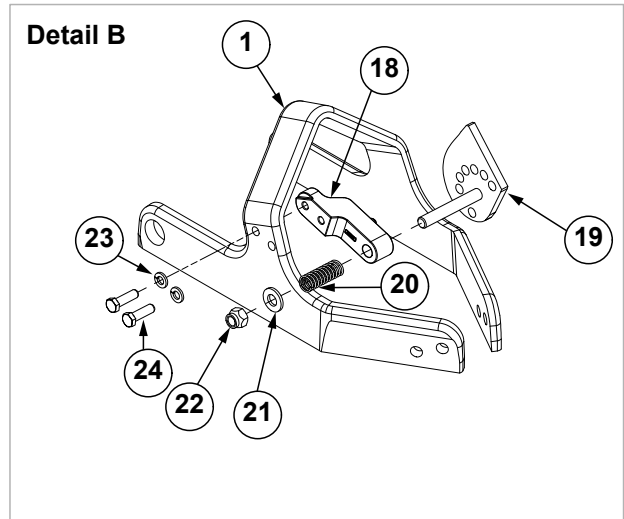
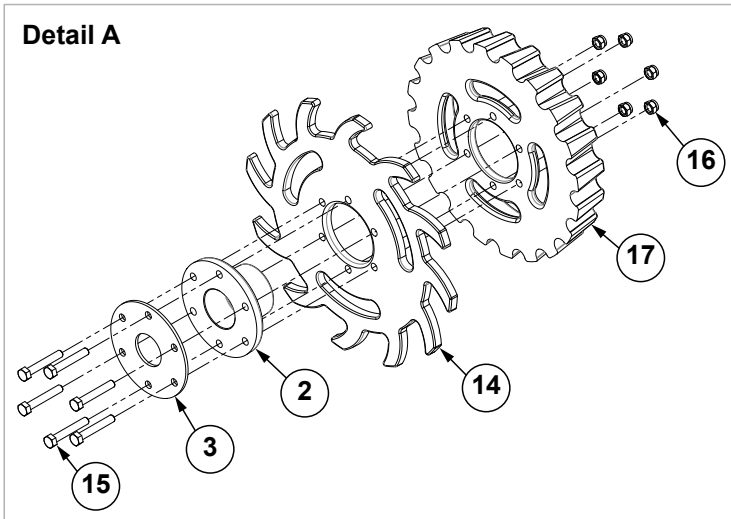
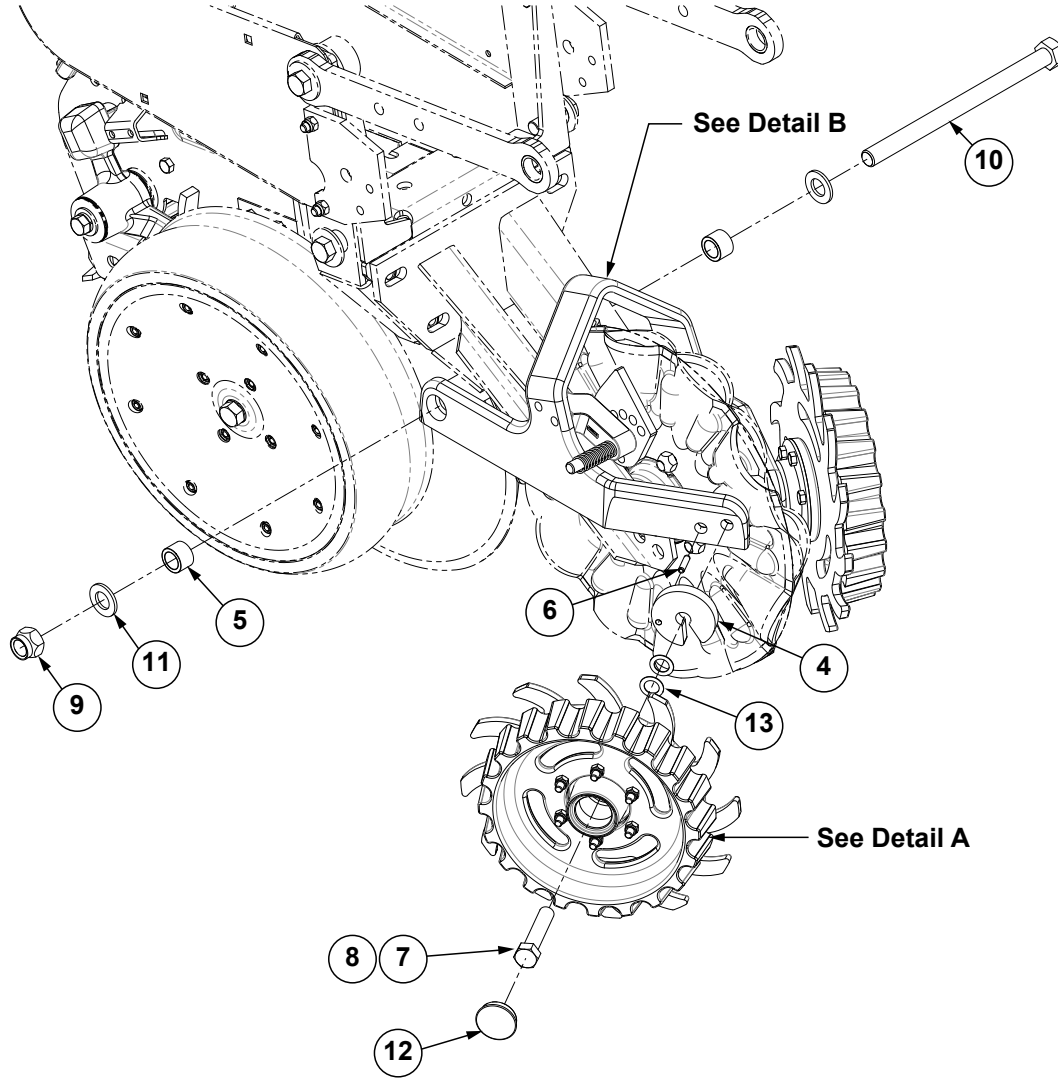
(IP1468)





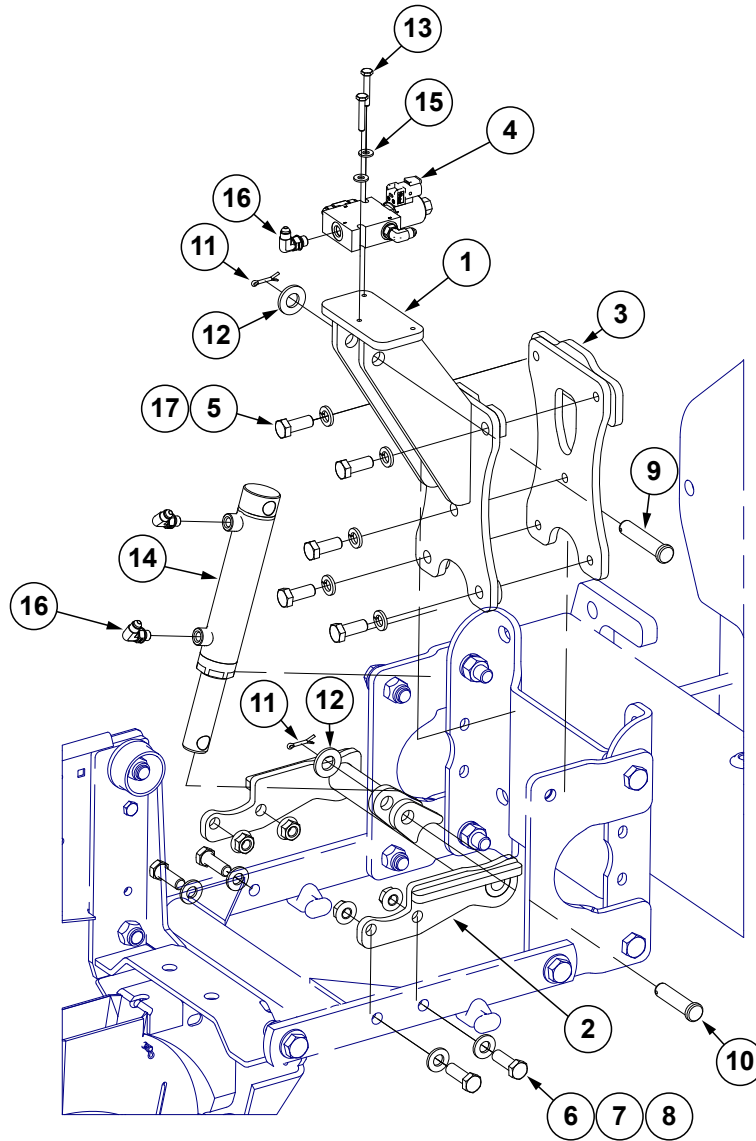
ITEM	PART NO.	QTY. (Per Row)	DESCRIPTION
1	GB0464	1	Residue Wheel Mount
2	GD26973	1	Cam Locking Pin
3	G10229	2	Lock Washer, 3/8"
4	G10004	2	Hex Head Cap Screw, 3/8"-16 x 1 1/4"
5	GA27038	1	Cam
6	GD10519	1	Spring
7	G11389	1	Flat Washer, 1/2" Plated SAE
8	G10503	2	Hex Jam Nut, 5/8"-11, Grade 2
9	GD1132	2	Dust Cap
10	G11236	1	Hex Head Cap Screw, 3/4"-10 x 10 1/2"
	G11392	2	Flat Washer, 3/4" SAE
	GB0383	2	Bushing, 1 1/8" O.D. x 25/32" I.D. x 3/4" Long
	G11228	1	Lock Nut, 3/4"-10
11	GA8760	2	Weed Guard W/Spring Pin
	G10765	-	Spring Pin, 1/4" x 1" (Included W/GA8760)
12	GD30725	4	Machine Bushing, 5/8" (.030" Thick)
13	GB0387	2	Wheel, 12 Tine, 3/8" x 12"
14	GA5654	2	Hub W/Bearings
	GA2014	-	Bearing (Included W/GA5654)
15	GD9724	2	Backing Plate
16	G10133	12	Hex Head Cap Screw, 5/16"-18 x 1 1/2"
17	G10109	12	Lock Nut, 5/16"-18, Grade 8
18	G10974	1	Lock Nut W/Nylon Insert, 1/2"-13
19	G10010	2	Hex Head Cap Screw, 5/8"-11 x 3"
A	GA12235	-	L.H. Residue Wheel (Items 13-17)
B	GA12236	-	R.H. Residue Wheel (Items 13-17)

(106531/106528/A19012)



ITEM	PART NO.	QTY. (Per Row)	DESCRIPTION
1	GB0464	1	Residue Wheel Mount
2	GA5654	2	Hub W/Bearings
	GA2014	-	Bearing (Included W/GA5654)
3	GD9724	1	Backing Plate
4	GD11784	2	Weed Guard
5	GB0383	2	Bushing, 1 1/8" O.D. x 25/32" I.D. x 3/4" Long
6	G10765	2	Spring Pin, 1/4" x 1"
7	G10010	2	Hex Head Cap Screw, 5/8"-11 x 3"
8	G10503	2	Hex Jam Nut, 5/8"-11, Grade 2
9	G11228	1	Lock Nut, 3/4"-10
10	G11236	1	Hex Head Cap Screw, 3/4"-10 x 10 1/2"
11	G11392	2	Flat Washer, 3/4" SAE
12	GD1132	2	Dust Cap
13	GD30725	4	Machine Bushing, 5/8" (.030" Thick)
14	GB0387	1	Wheel, 12 Tine, 3/8" x 12"
15	G10041	6	Hex Head Cap Screw, 5/16"-18 x 2"
16	G10109	6	Lock Nut, 5/16"-18, Grade 8
17	G10427101	1	Row Cleaner Floater
18	GD26973	1	Cam Locking Pin
19	GA27038	1	Cam
20	GD10519	1	Spring
21	G11389	1	Flat Washer, 1/2" Plated SAE
22	G10974	1	Lock Nut W/Nylon Insert, 1/2"-13
23	G10229	2	Lock Washer, 3/8"
24	G10004	2	Hex Head Cap Screw, 3/8"-16 x 1 1/4"
A	G10652801	1	L.H. Residue Wheel (Items 2-3 and 14-17)
B	G10652901	1	R.H. Residue Wheel (Items 2-3 and 14-17)

(A25516\_a)



ITEM	PART NO.	QTY. (per row)	DESCRIPTION
1	GA25258	1	Upper Mounting Bracket
2	GA25257	1	Lower Mounting Bracket
3	GA25401	1	Back Mount
4	---	1	<a href="#">See "Row Unit Control Block, Pull Row Units" on page P196</a>
5	G10037	5	Hex Head Cap Screw, 1/2"-13 X 1 1/4"
6	G10017	4	Hex Head Cap Screw, 1/2"-13 x 1 1/2"
7	G11389	4	Flat Washer, 1/2" Plated SAE
8	G10071	4	Serrated Flange Nut, 1/2"-13
9	G11875	1	Clevis Pin, 5/8" x 3"
10	G10564	1	Clevis Pin, 5/8" x 2 1/2"
11	G10451	2	Cotter Pin, 1/8" x 1"
12	G11391	2	Flat Washer, 5/8" SAE
13	GD35459	2	Hex Head Cap Screw, 1/4"-20 x 1 1/2", Grade 5 (W/Blue Loctite)
14	GA25261	1	<a href="#">See "Hydraulic Down Force Cylinder" on page P177</a>
15	G11385	2	Flat Washer, 1/4" SAE
16	G6801-04-04	3	90° Elbow, 7/16"-20
17	G10228	5	Lock Washer, 1/2"

**NOTE:** Push row units use the same seed tube, row unit depth adjustment components, quick adjustable down force springs, 15" opener disc blades, gauge wheels, closing wheels, meter drive and seed hopper as the pull row unit. See those pages for common parts.

[See "Shank Assembly, Seed Tube, and Depth Adjustment" on page P3](#)

[See "Parallel Arms, Mounting Support Plate, and Quick Adjustable Down Forces Springs Option" on page P7](#)

[See "15" Seed Opener Disc Blade/Bearing Assembly and Scrapers" on page P11](#)

[See "Gauge Wheels" on page P13](#)

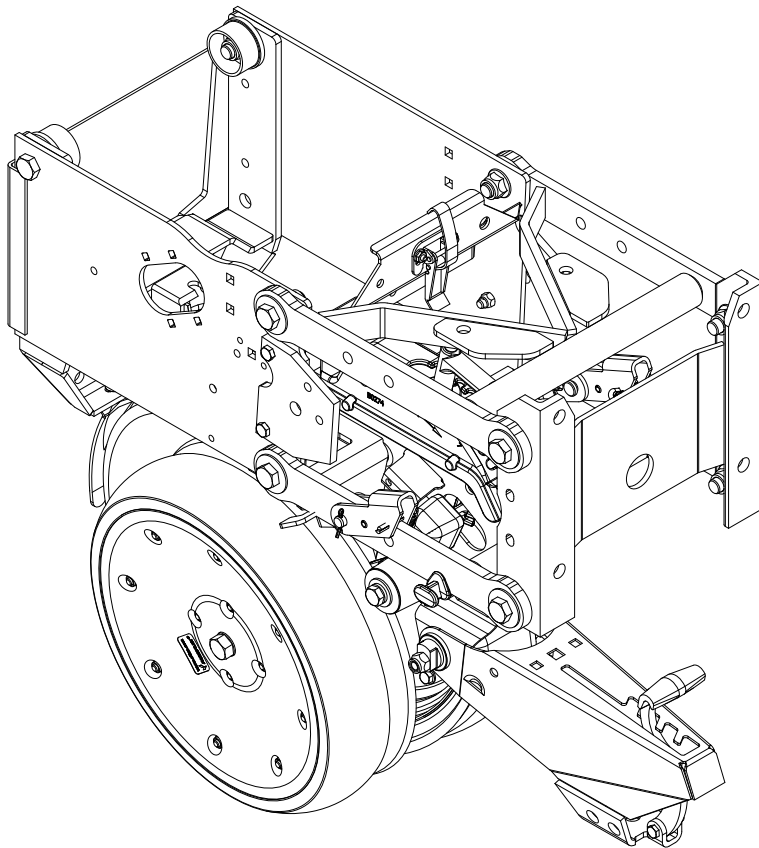
[See "'V" Closing Wheels" on page P15](#)

[See "Hopper Support and Meter Drive" on page P19](#)

[See "Seed Hopper and Lid" on page P24](#)

[See "Row Unit Idler \(Ground Contact Drive\)" on page P21](#)

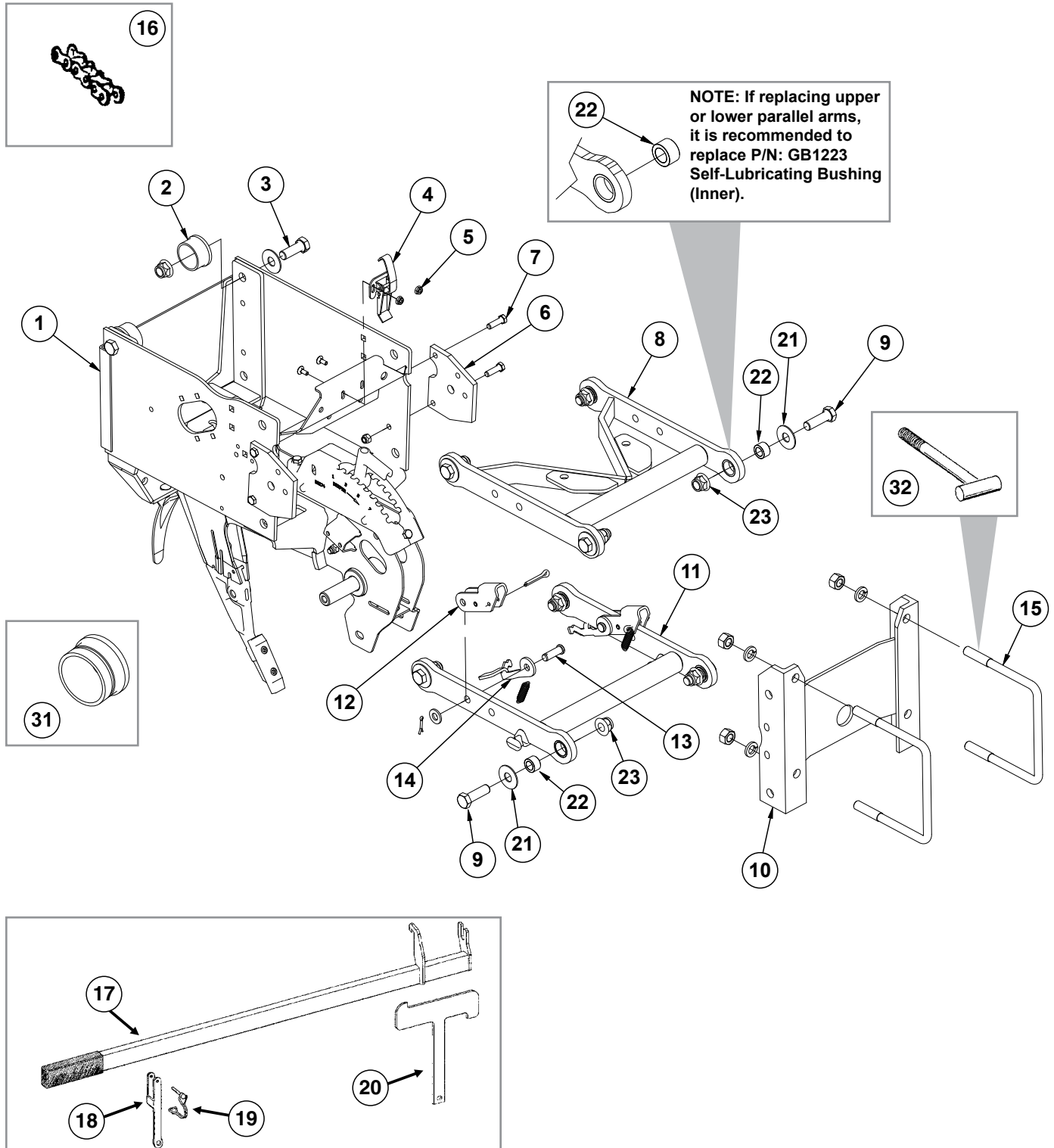
**NOTE:** Row unit assembly does not include the following: seed meter assembly, seed tube assembly, row unit hopper assembly, closing wheels, or seed meter clutch.



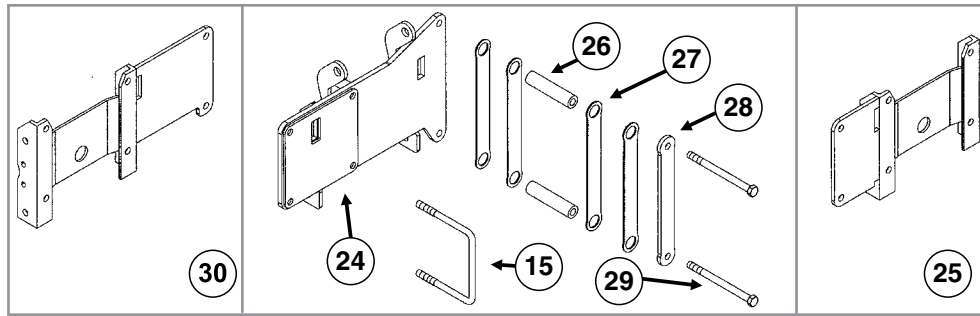
ITEM	PART NO.	QTY. (Per Row)	DESCRIPTION
1	G10504X	1	Push Row Unit Assembly, Standard Gauge Wheel
2	G10985X	1	Push Row Unit Assembly, Spoked Gauge Wheel

**This page left blank intentionally.**

**NOTE:** Push row units use the same seed tube, row unit depth adjustment components, quick adjustable down force springs, 15" opener disc blades, gauge wheels, closing wheels, meter drive and seed hopper as the pull row unit. See those pages for common parts.







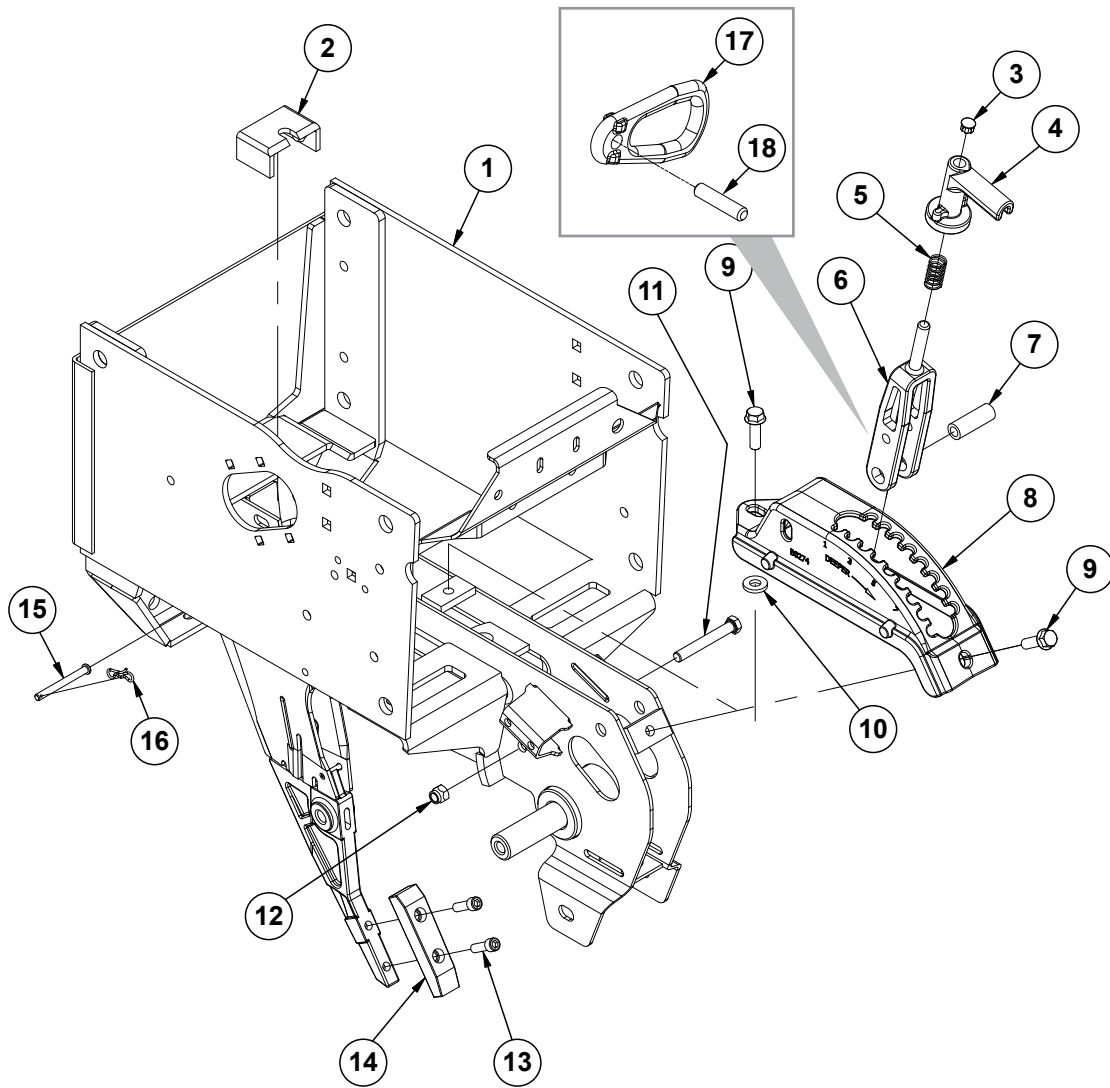
ITEM	PART NO.	QTY. (Per Row)	DESCRIPTION
1	---	1	<a href="#">See "Shank and Depth Adjustment (Split Row)" on page P49</a>
2	GB0314	2	Hopper Mount
3	G10751	2	Hex Head Cap Screw, 5/8"-18 x 1 3/4"
	G11514	2	Lock Nut, 5/8"-18
4	GA2007	1	Hopper Hold Down Latch
5	G10621	2	Serrated Flange Nut, 1/4"-20
	G10309	2	Carriage Bolt, 1/4"-20 x 5/8", Grade 5
6	GD24545	2	Row Unit Stop
7	G10003	4	Hex Head Cap Screw, 3/8"-16 x 1 1/2"
	G10108	4	Lock Nut, 3/8"-16
8	G10011301	1	Upper Parallel Arm Assembly
	GB1224	-	Self-Lubricating Bushing (Included W/G10011301)
9	G10732	4	Hex Head Cap Screw, 5/8"-18 x 2"
10	GA11971	1	Mounting Plate
11	G10011401	1	Lower Parallel Arm Assembly
	GB1224	-	Self-Lubricating Bushing (Included W/G10011301)
12	GD11264	1	Lockup
	G10718	2	Spring Pin, 5/16" x 1 1/8"
	G10463	2	Cotter Pin, 1/4" x 1 1/2"
	GD25569	2	Spring
13	G10284	2	Clevis Pin, 1/2" x 1 1/2"
	G11389	2	Flat Washer, 1/2" Plated SAE
	G10451	2	Cotter Pin, 1/8" x 1"
14	GD25568	1	Spring Mount Tab, L.H.
	GD29459	1	Spring Mount Tab, R.H.
15	GD1113	2	U-Bolt, 5" x 7" x 5/8"-11
	G10230	4	Lock Washer, 5/8"
	G10104	4	Hex Nut, 5/8"-11
16	G3303-96	1	Chain, No. 41, 96 Pitch Including Connector Link
	GR0196	1	Connector Link, No. 41
17	GA24889	-	Lift Lever W/Boot
	GD11649	-	Boot (Included W/GA24889)
18	GD35471	1	Bracket (Lift Lever)
19	GD9695	1	Wire Lock Pin, 1/4" x 1 3/4"
20	GD35472	1	Mount
21	G11976	8	Flat Washer, 5/8" x 1 3/4"
22	GB1223	8	Self-Lubricating Bushing
23	G11514	8	Lock Nut, 5/8"-18
24	GA12677	-	Offset Hinge Mount
25	GA12675	-	Offset Mount
26	GD7817-18	2	Spacer, 1 1/16" I.D. x 5 1/2" Long

Continued on the next page.

ITEM	PART NO.	QTY. (Per Row)	DESCRIPTION
27	GD18136	4	Pad
28	GD18135	1	Bar
29	G10341	-	Hex Head Cap Screw, 5/8"-11 x 8"
	G10230	-	Lock Washer, 5/8"
	G10104	-	Hex Nut, 5/8"-11
30	GA12676	-	Offset Mount
31	GD17052	-	Vacuum Plug
	G10001	-	Hex Head Cap Screw, 3/8"-16 x 1"
	G10108	-	Lock Nut, 3/8"-16
	G11387	-	Flat Washer, 3/8" SAE
32	GA9105	-	T-Bolt, 5/8"-11 x 6" (Center Rows)
	G10230	-	Lock Washer, 5/8"
	G10104	-	Hex Nut, 5/8"-11
A	G1K534	-	Push Unit Lock-Up Kit, Items 6, and 12-14 (Includes GD24545 - Push Unit Stop)
B	G1K535	-	Push Unit Spring Lock-Up Kit, Items 12-14
C	G1K759	-	Push Row Unit Parallel Kit, Includes: (1) G10011301, (1) G10011401, (8) GB1223, (8) G11976, (2) G10732, (8) G11514, (6) G10751, (2) IS1066

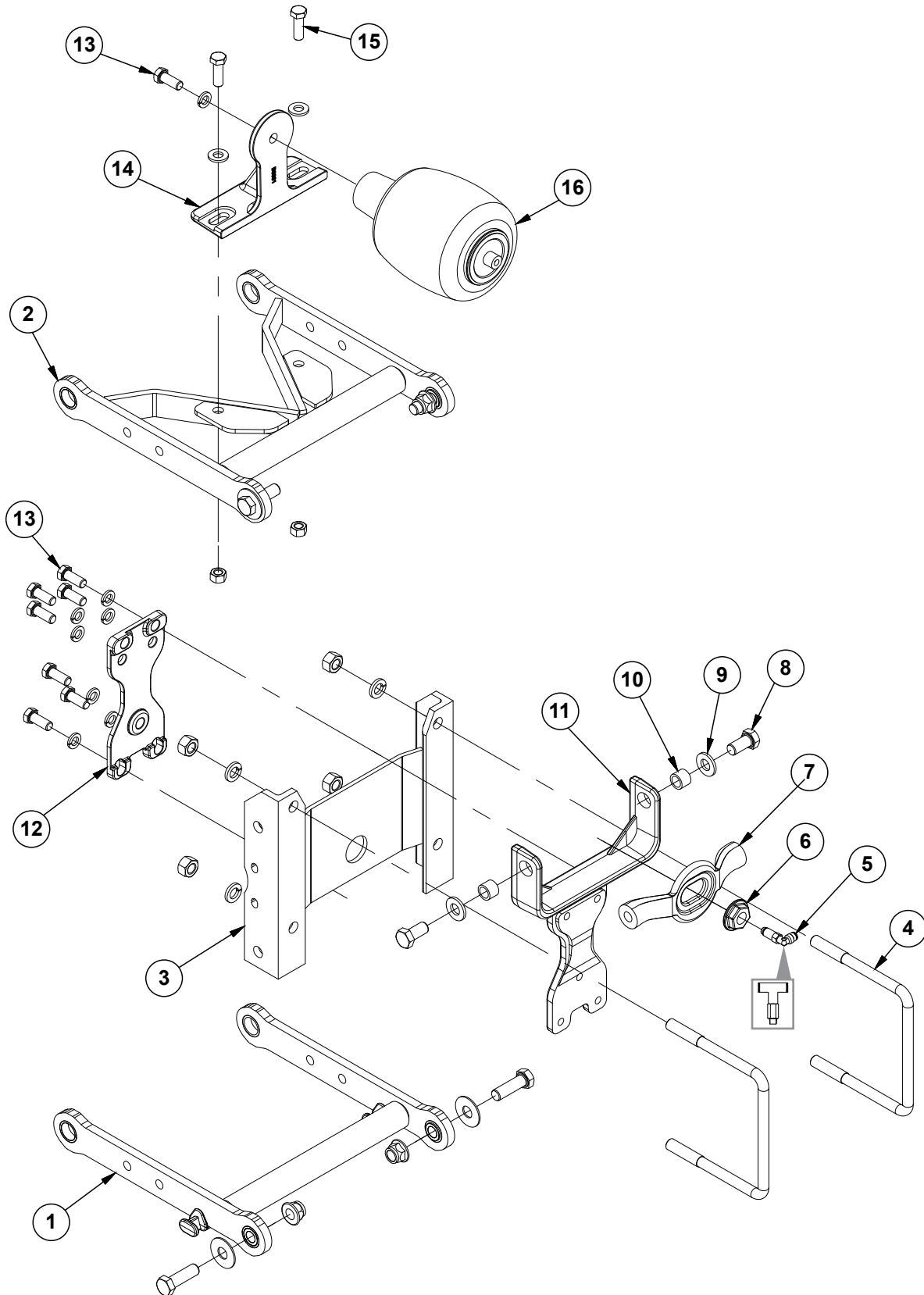
**This page left blank intentionally.**

(IP1585)

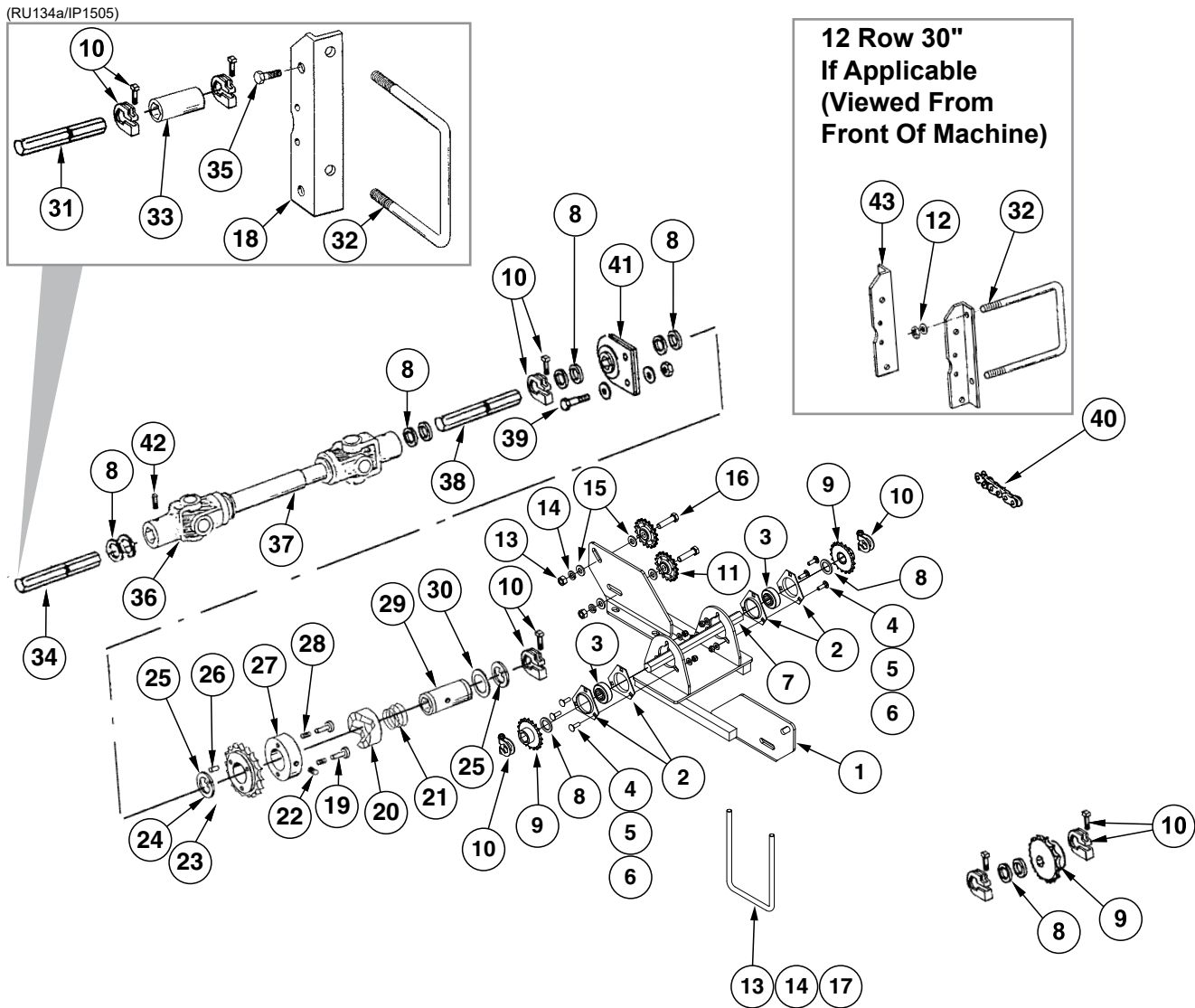


ITEM	PART NO.	QTY. (Per Row)	DESCRIPTION
1	GA26297	1	Push Row Unit Shank
2	GD16245	1	Sun Shade (Rubber)
3	GD3612	1	Cap Plug
4	GB0266	1	Handle, Depth Adjustment
5	GD10993	1	Spring
6	GB0267	1	Lever, Depth Adjustment
7	GD11259	1	Sleeve, $\frac{3}{8}$ " I.D. x $\frac{5}{8}$ " O.D. x $1\frac{25}{32}$ " Long
8	GB0274	1	Cover, Depth Adjustment
9	G11015	2	Hex Washer Head Cap Screw, $\frac{3}{8}$ "-16 x $1\frac{1}{4}$ "
10	G10207	1	Washer, $\frac{7}{8}$ " O.D. x $1\frac{3}{32}$ " I.D. x .134"
11	G11592	1	Hex Head Cap Screw, $\frac{3}{8}$ "-24 x $2\frac{3}{4}$ ", Grade 8
12	G11591	1	Nylon Lock Nut, $\frac{3}{8}$ "-24, Grade C
13	G10500901	2	Hex Socket Head Cap Screw, $\frac{5}{16}$ "-18 x 1"
14	G10038601	1	Scraper
15	G10551	1	Clevis Pin, $\frac{1}{4}$ " x $2\frac{1}{2}$ "
16	G10122301	1	Bow Tie Cotter Pin
17	GB0285	1	Collar, Depth Adjustment
18	G10402701	1	Pin, $\frac{3}{8}$ " x $1\frac{2}{3}$ "

(IP1641)



ITEM	PART NO.	QTY. (Per Row)	DESCRIPTION
1	---	---	<a href="#">See "Parallel Arms and Face Plate (Split Row)" on page P45</a>
2	---	---	<a href="#">See "Parallel Arms and Face Plate (Split Row)" on page P45</a>
3	---	1	<a href="#">See "Parallel Arms and Face Plate (Split Row)" on page P45</a>
4	---	---	<a href="#">See "Parallel Arms and Face Plate (Split Row)" on page P45</a>
5	GD18011 GD18274	1 -	Elbow, 3/8" x 1/8" NPT Extended Tee, 3/8" x 1/8" NPT Extended, Push Row Unit
6	GB0397	1	Shoulder Nut, 3/4"-16
7	GB0392	1	Yoke
8	G11018	2	Hex Head Cap Screw, 5/8"-18 x 1 1/4"
9	G11391	2	Flat Washer, 5/8" SAE
10	GD3180-30	2	Sleeve, 7/8" O.D. x 5/8" I.D. x 2 1/32"
11	GB0390	1	Yoke Mount
12	GB0389	1	Plate
13	G10037 G10228	8 8	Hex Head Cap Screw, 1/2"-13 x 1 1/4" Lock Washer, 1/2"
14	GB0391	1	Mount
15	G10017 G11389 G10228 G10102	2 2 2 2	Hex Head Cap Screw, 1/2"-13 x 1 1/2" Flat Washer, 1/2" SAE Lock Washer, 1/2" Hex Nut, 1/2"-13
16	GA11982	1	Air Spring Assembly

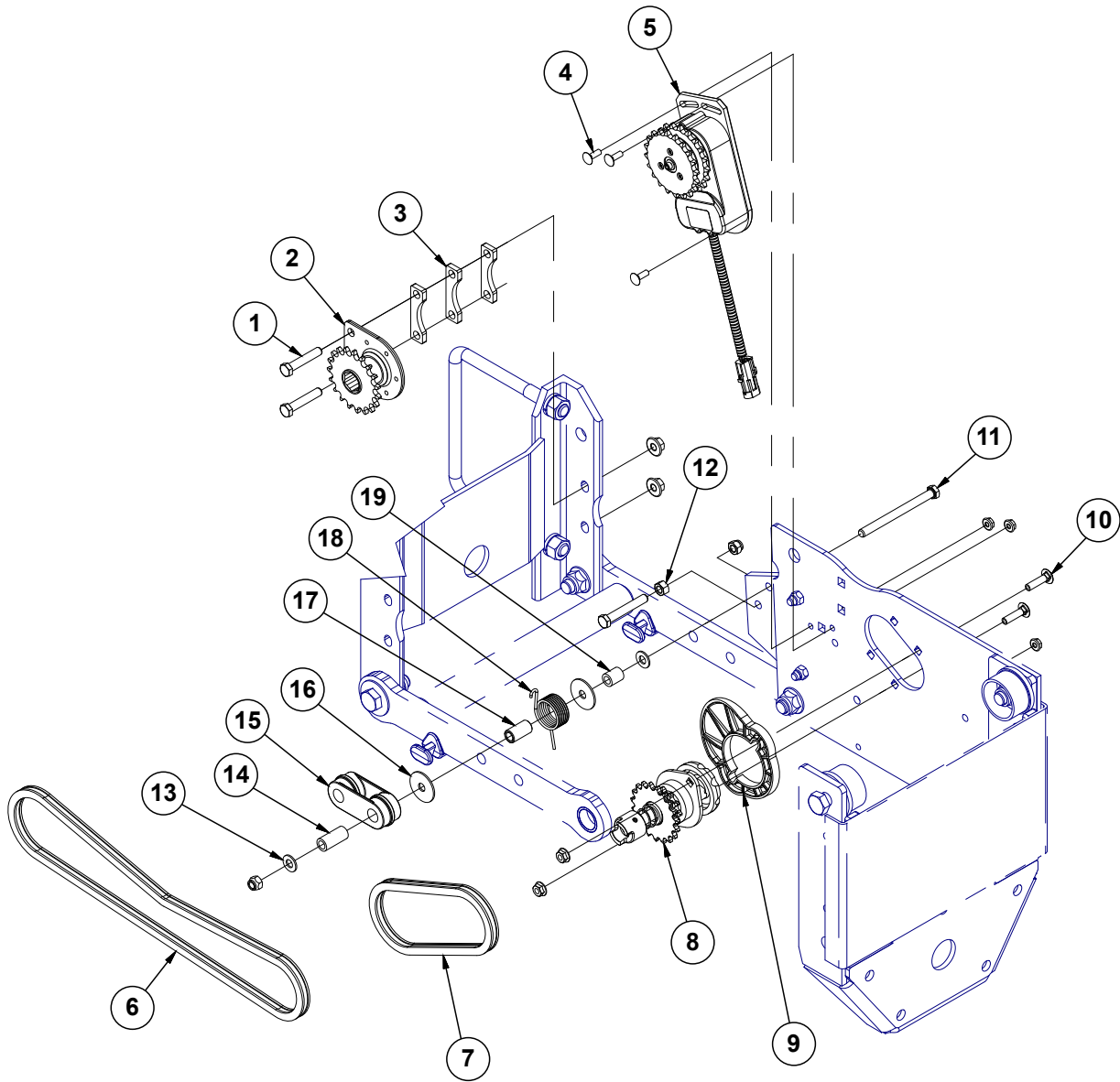


ITEM	PART NO.	QTY.	DESCRIPTION
1	GA24371	1	L.H. Crossover
	GA24372	-	R.H. Crossover
2	G3400-01	4	Flangette
3	G2100-03	2	Bearing, 7/8" Hex Bore, Spherical
4	G11386	6	Flat Washer, 5/16" SAE
5	G10109	6	Lock Nut, 5/16"-18
6	G10303	6	Carriage Bolt, 5/16"-18 x 1"
7	GD0914-12.50	1	Hex Shaft, 7/8" x 12 1/2"
8	G10233	2	Machine Bushing, 1 1/2" x 1/32", 10 Gauge (.1345")
9	GA5107	2	Sprocket, 19 Tooth
10	GA11331	2	Hex Lock Clamp Assembly
11	GA7154	2	Sprocket W/Bearing, 18 Tooth
12	GD11973	-	Support Angle, L.H.
13	G10102	4	Hex Nut, 1/2"-13
14	G10228	4	Lock Washer, 1/2"
15	G11389	8	Flat Washer, 1/2" Plated SAE
16	G10016	4	Hex Head Cap Screw, 1/2"-13 x 2"



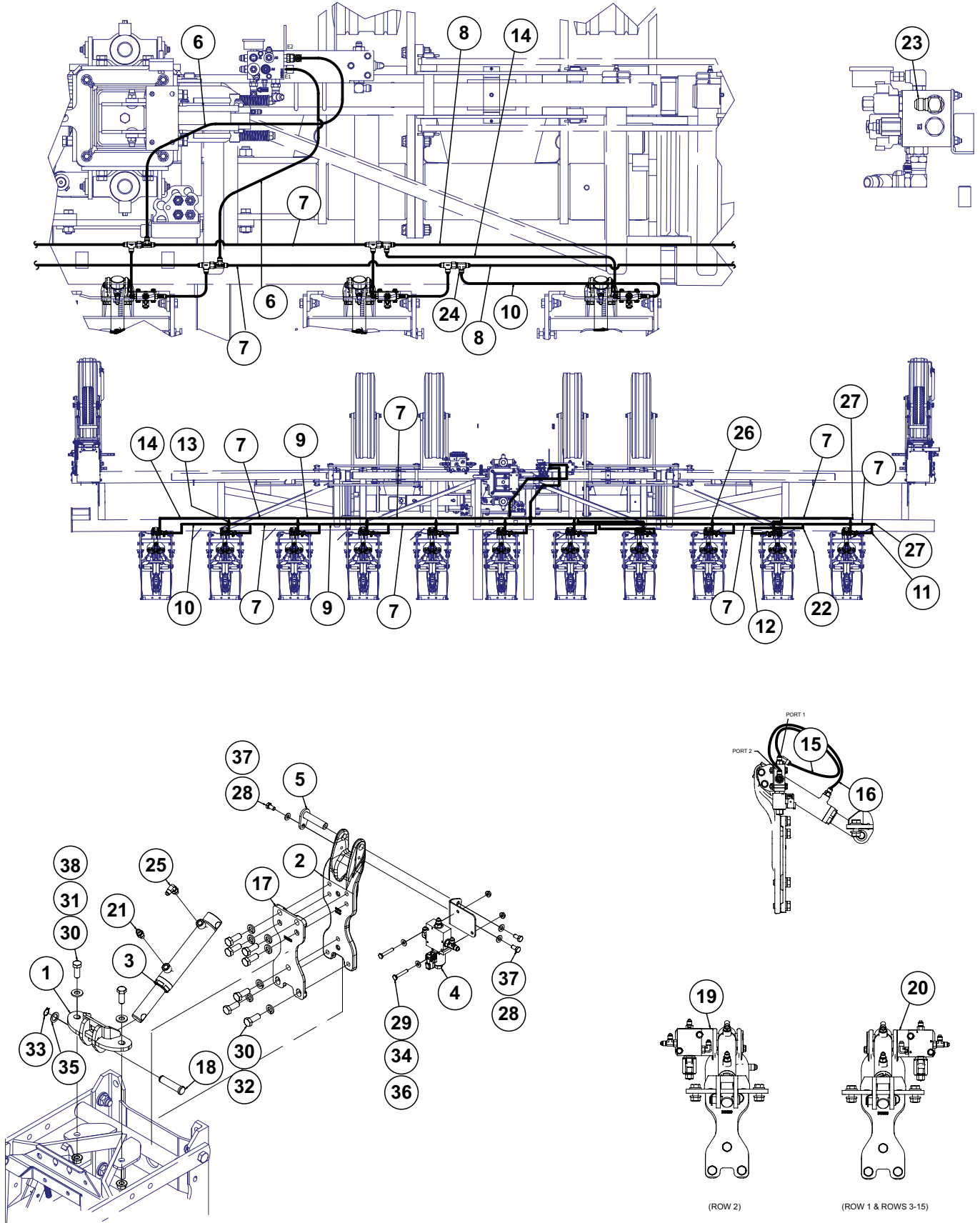
ITEM	PART NO.	QTY.	DESCRIPTION
17	GD8306	2	U-Bolt, 7" x 5" x 1/2"-13
18	GD11972	-	Support Angle, R.H.
19	GR1410	1	Pin
20	GR1409	1	Knurled Collar
21	GR1408	1	Compression Spring
22	G10535	1	Hex Socket Set Screw, 3/8"-16 x 3/4"
23	GR1412	1	Sprocket, 19 Tooth
24	GR1406	1	Bushing
25	G10496	2	External Inverted Snap Ring, 1 1/2"
26	G10968	1	Spring Pin, 5/32" x 7/16"
27	GR1405	1	Lock Collar
28	GR1413	1	Spring
29	GR1407	1	Drive Shaft
30	GR1411	1	Shim
31	GD0914-15	-	Hex Shaft, 7/8" x 15" (No Holes), 12 Row 30" W/Even-Row Push Row Unit
	GD0914-24	-	Hex Shaft, 7/8" x 24" (No Holes), 12 Row 36"/38" W/Even-Row Push Row Unit
	GD0914-27	-	Hex Shaft, 7/8" x 27" (No Holes), 16 Row 30" W/Even-Row Push Row Unit
32	GD1113	-	U-Bolt, 5" x 7" x 5/8"-11
	G10230	-	Lock Washer, 5/8"
	G10104	-	Hex Nut, 5/8"-11
33	GD1719	-	Coupler, 4"
34	GD0914-48	-	Hex Shaft, 7/8" x 48" (No Holes), R.H. Side, 12 Row 30" And 16 Row 30"
	GD0914-66	-	Hex Shaft, 7/8" x 66" (No Holes), L.H. Side, 12 Row 30" And 16 Row 30"
35	G10752	-	Hex Head Cap Screw, 5/8"-18 x 2 1/4"
	G11391	-	Flat Washer, 5/8" SAE
	G10412	-	Lock Nut, 5/8"-18
36	GA7052	-	U-Joint W/Grease Fitting, Female, 10 1/4" Long, 12 Row 30" And 16 Row 30"
	GR1557	-	Grease Fitting, 45°, Metric (Included W/GA7052)
	GR1297	-	Inboard Yoke And Outer Profile (10 1/4" U-Joint) (Included W/GA7052)
	GR1298	-	Inboard Yoke And Outer Profile (18 1/8" U-Joint)
	GR1294	-	Cross And Bearing Kit (Included W/GA7052)
	GR1293	-	Yoke, 7/8" Hex (Included W/GA7052)
37	GA7051	1	U-Joint W/Grease Fitting, Male, 12 1/4" Long
	GR1557	-	Grease Fitting, 45°, Metric (Included W/GA7051)
	GR1296	-	Inner Profile (Included W/GA7051)
	GR1295	-	Inboard Yoke (Included W/GA7051)
	GR1301	-	Spring Pin, 8 mm x 50 mm (Included W/GA7051)
	GR1294	-	Cross And Bearing Kit (Included W/GA7051)
	GR1293	-	Yoke, 7/8" Hex (Included W/GA7051)
38	GD0914-90	-	Hex Shaft, 7/8" x 90" (No Holes), Both Sides, 12 Row 30"
	GD0914-128	-	Hex Shaft, 7/8" x 128" (No Holes), R.H. Side, 16 Row 30"
	GD0914-138	-	Hex Shaft, 7/8" x 138" (No Holes), L.H. Side, 16 Row 30"
39	G10004	-	Hex Head Cap Screw, 3/8"-16 x 1 1/4"
	G11387	-	Flat Washer, 3/8" SAE
	G10229	-	Lock Washer, 3/8"
	G10101	-	Hex Nut, 3/8"-16
40	G3310-122	1	Chain, No. 40, 122 Pitch Including Connector Link
	GR0912	-	Connector Link, No. 40
41	GA2180	-	Hanger Bearing, 7/8" Hex Bore
42	G10688	-	Square Head Set Screw, 3/8"-16 x 5/8"
A	GA8092	-	Clutch Sprocket Assembly, 19 Tooth (Items 19-30)
B	G1K331	-	Clutch Sprocket Kit (Items 23, 24 And 26)

(IP1665)



ITEM	PART NO.	QTY. (Per Row)	DESCRIPTION
1	G10048	2	Hex Head Cap Screw, 3/8"-16 x 2"
	G11091	2	Serrated Flange Nut, 3/8"-16
2	GA1720	1	Bearing/Sprocket, 7/8" Hex Bore
3	GD23774	3	Spacer
4	G10310	3	Carriage Bolt, 1/4"-20 x 3/4", Grade 2
	G10621	3	Serrated Flange Nut, 1/4"-20
5	GA16374	1	Electric Clutch
6	G3303-78	1	Chain, No. 41, 78 Pitch Including Connector Link
7	G3303-41	1	Chain, No. 41, 41 Pitch Including Connector Link
8	GA10151	1	Seed Meter Clutch Assembly, 11/19 Tooth (Mechanical)
	GA20640	-	Seed Meter Clutch Assembly, 11/28 Tooth (Vacuum)
9	G11013001	1	Clutch Adapter Plate
10	G10338	2	Carriage Bolt, 5/16"-18 x 1 1/4"
	G10620	2	Serrated Flange Nut, 5/16"-18
11	G10753	1	Hex Head Cap Screw, 3/8"-16 x 4 1/2"
	G10108	2	Lock Nut, 3/8"-16
12	G10101	1	Hex Nut, 3/8"-16
	G10049	1	Hex Head Cap Screw, 3/8"-16 x 2 1/2"
13	G11387	2	Flat Washer, 3/8" SAE
14	GD8893-01	1	Sleeve, 1 3/8" Long
15	GB0968	1	Drive Idler, Push Unit
16	G10201	2	Special Washer, 3/8" x 1 1/2" O.D.
17	GD1026	1	Sleeve, 1 3/16"
18	GD11218	1	Spring
19	GD2971-24	1	Sleeve, 3/4"

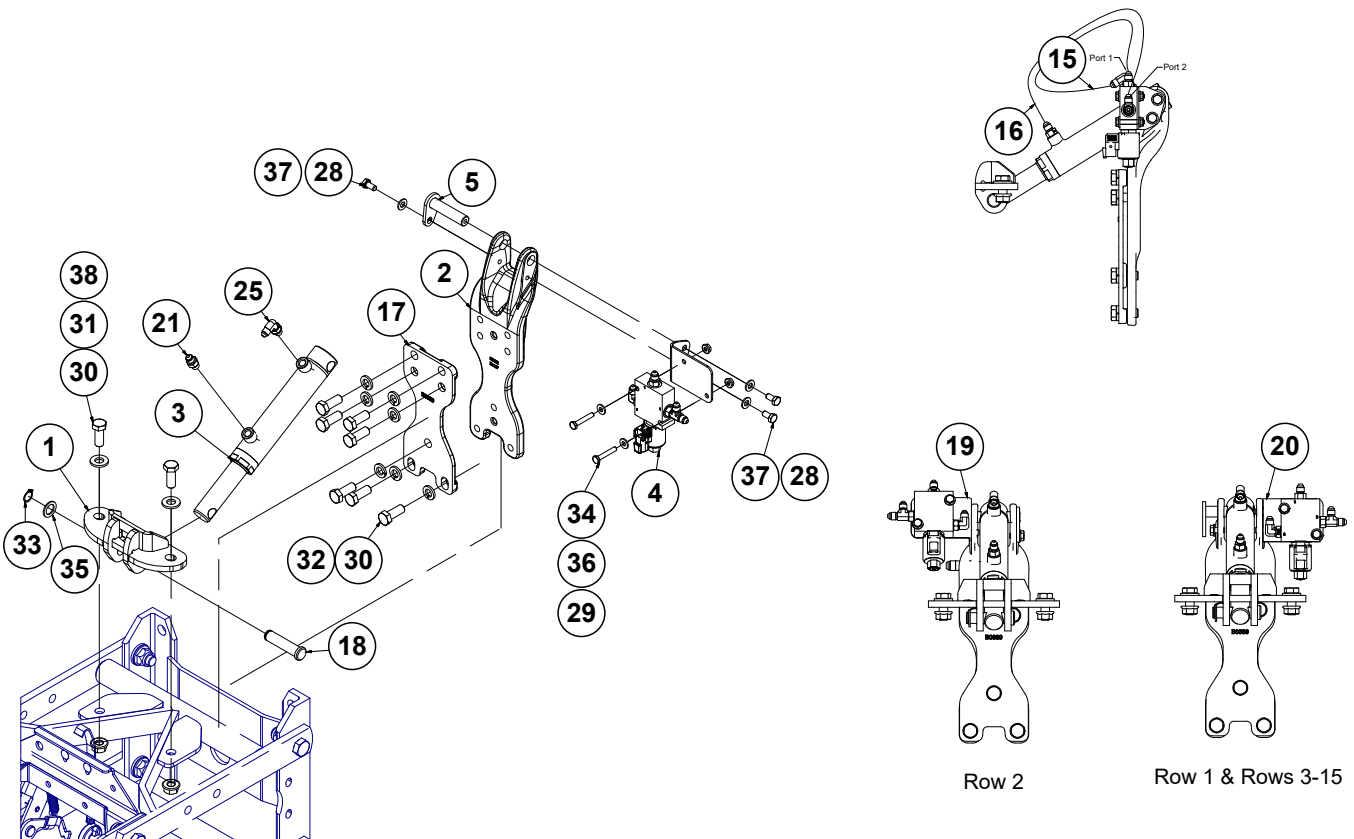
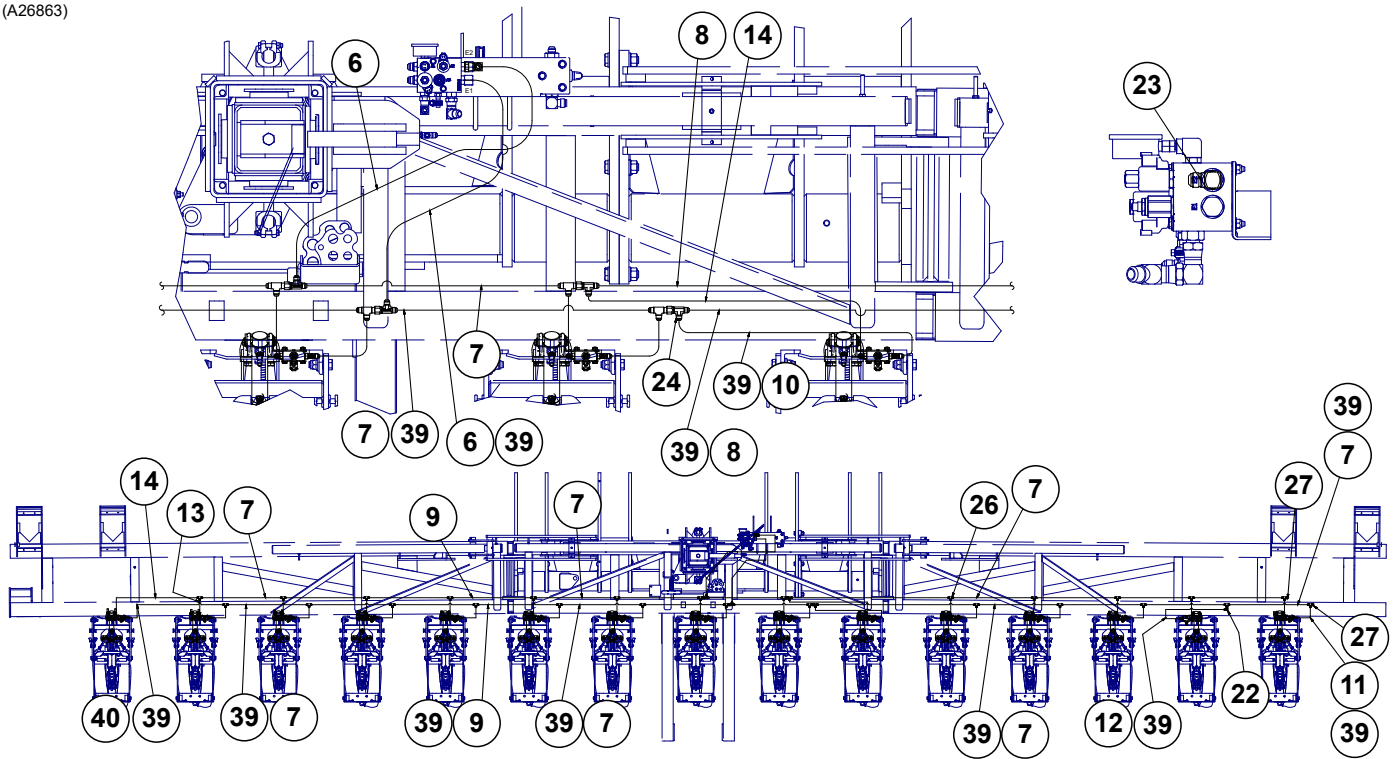
(A26868)



ITEM	PART NO.	QTY.	DESCRIPTION
1	GA25240	11	Rod Mount
2	GD35211	11	Down Force Cylinder Mount
3	GA25261	11	<a href="#">See "Hydraulic Down Force Cylinder" on page P177</a>
4	---	11	<a href="#">See "Row Unit Control Block, Push Row Units" on page P197</a>
5	GA25384	11	Hammer Strap Pin
6	*A25690-48	2	Hose Assembly, 3/8" x 48" (06F-08F STD 90)
7	*A12038	12	Hose Assembly, 3/8" x 30" (06F-06F)
8	*A12080	2	Hose Assembly, 3/8" x 64" (06F-06F)
9	*A15081-36	2	Hose Assembly, 3/8" x 36" (06F-06F)
10	*A7680-35	2	Hose Assembly, 1/4" x 35" (04F 90S-06F)
11	*A7680-11	8	Hose Assembly, 1/4" x 11" (04F-06F)
12	*A7681-28	1	Hose Assembly, 1/4" x 28" (04F 90S-06F)
13	*A7682-11	9	Hose Assembly, 1/4" x 11" (04L90F-06F)
14	*A7682-35	2	Hose Assembly, 1/4" x 35" (04L90F-06F)
15	*A7678-20	11	Hose Assembly, 1/4" x 20" (04F-04F)
16	*A7678-19	11	Hose Assembly, 1/4" x 19" (04F-04F)
17	GB0389	11	Plate
18	GD26970	11	Pin, 5/8" x 2 1/2"
19	GD35230	1	Valve Block Mount, R.H.
20	GD35231	10	Valve Block Mount, L.H.
21	G6400-04 GR1465	11 -	Connector W/O-Ring, 7/16"-20 Male JIC To O-Ring O-Ring
22	G6500-06	1	Swivel Elbow, 90°, 9/16"-18 Male JIC To Female
23	G6500-08	1	Swivel Elbow, 90°, 3/4"-16 Male JIC To Female
24	G6602-06	4	Swivel Tee, 9/16"-18 JIC
25	G6801-04-04	11	90° Adjustable Elbow, 7/16"-20
26	G2603-06	18	Tee, 9/16"-18 Male JIC
27	G304-C-6	2	Cap Nut, 9/16"-18
28	G10018	33	Hex Head Cap Screw, 5/16"-18 x 5/8"
29	G10021	22	Hex Head Cap Screw, 1/4"-20 x 1 1/2"
30	G10037	99	Hex Head Cap Screw, 1/2"-13 x 1 1/4"
31	G10071	22	Serrated Flange Nut, 1/2"-13
32	G10228	77	Lock Washer, 1/2"
33	G10567	11	External Retaining Ring, 5/8"
34	G10621	22	Serrated Flange Nut, 1/4"-20
35	G10918	11	Machine Bushing, 5/8", 14 Gauge (.0747")
36	G11385	22	Flat Washer, 1/4" SAE
37	G11386	33	Flat Washer, 5/16" SAE
38	G11389	22	Flat Washer, 1/2" Plated SAE

\* Hydraulic hose is not stocked by Kinze Repair Parts.

(A26863)

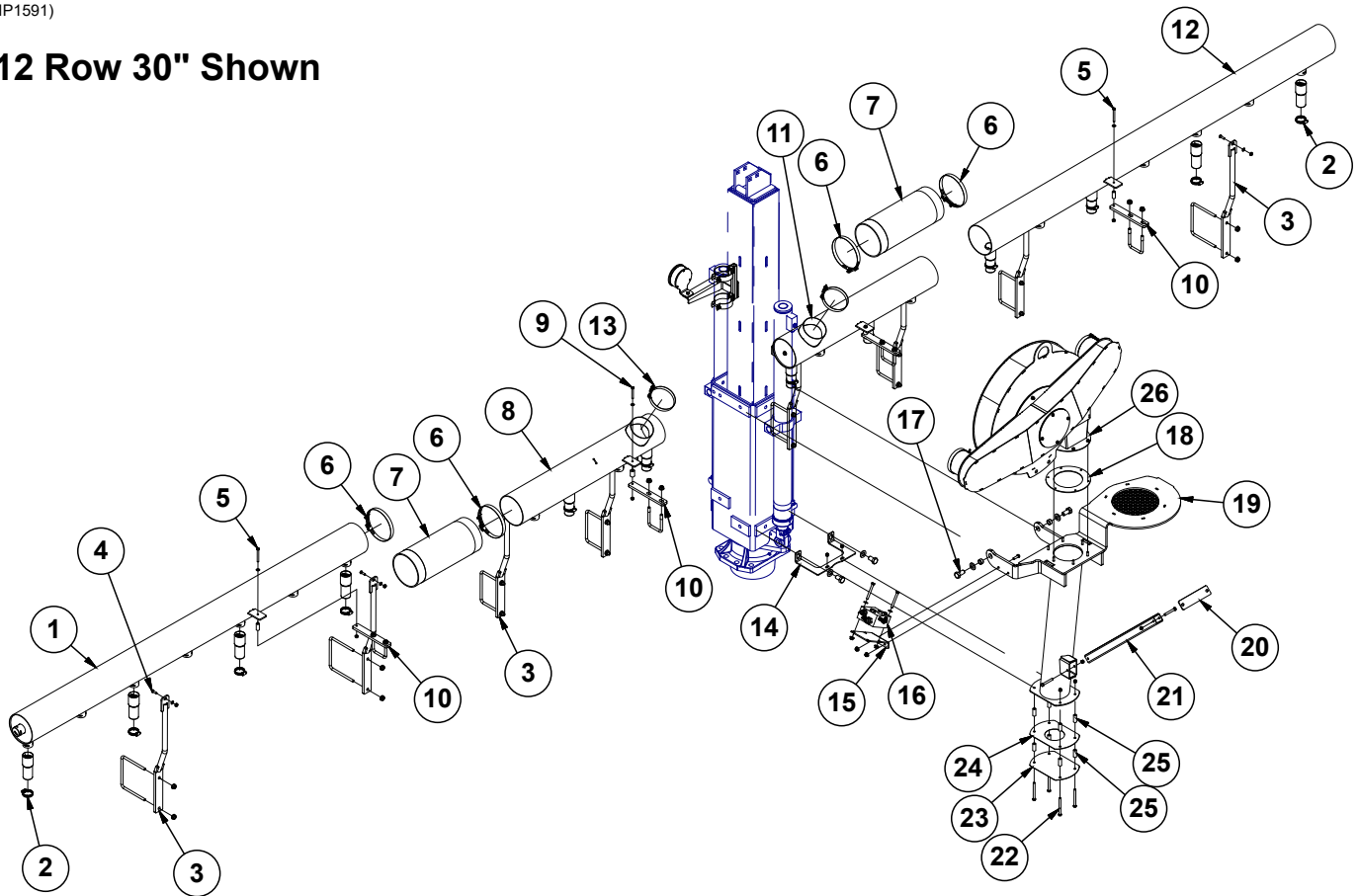


ITEM	PART NO.	QTY.	DESCRIPTION
1	GA25240	15	Rod Mount
2	GD35211	15	Down Force Cylinder Mount
3	GA25261	15	<a href="#">See "Hydraulic Down Force Cylinder" on page P177</a>
4	---	15	<a href="#">See "Row Unit Control Block, Push Row Units" on page P197</a>
5	GA25384	15	Hammer Strap Pin
6	*A25690-48	2	Hose Assembly, 3/8" x 48" (06F-08F STD 90)
7	*A12038	21	Hose Assembly, 3/8" x 30" (06F-06F)
8	*A12080	2	Hose Assembly, 3/8" x 64" (06F-06F)
9	*A15081-36	2	Hose Assembly, 3/8" x 36" (06F-06F)
10	*A7680-35	1	Hose Assembly, 1/4" x 35" (04F 90S-06F)
11	*A7680-9	12	Hose Assembly, 1/4" x 9" (04F-06F)
12	*A7681-28	1	Hose Assembly, 1/4" x 28" (04F 90S-06F)
13	*A7682-11	13	Hose Assembly, 1/4" x 11" (04L90F-06F)
14	*A7682-35	2	Hose Assembly, 1/4" x 35" (04L90F-06F)
15	*A7678-20	15	Hose Assembly, 1/4" x 20" (04F-04F)
16	*A7678-19	15	Hose Assembly, 1/4" x 19" (04F-04F)
17	GB0389	15	Plate
18	GD26970	15	Pin, 5/8" x 2 1/2"
19	GD35230	1	Valve Block Mount, R.H.
20	GD35231	14	Valve Block Mount, L.H.
21	G6400-04 GR1465	15 -	Connector W/O-Ring, 7/16"-20 Male JIC To O-Ring O-Ring
22	G6500-06	1	Swivel Elbow, 90°, 9/16"-18 Male JIC To Female
23	G6500-08	1	Swivel Elbow, 90°, 3/4"-16 Male JIC To Female
24	G6602-06	4	Swivel Tee, 9/16"-18 JIC
25	G6801-04-04	15	90° Adjustable Elbow, 7/16"-20
26	G2603-06	26	Tee, 9/16"-18 Male JIC
27	G304-C-6	2	Cap Nut, 9/16"-18
28	G10018	45	Hex Head Cap Screw, 5/16"-18 x 5/8"
29	G10021	30	Hex Head Cap Screw, 1/4"-20 x 1 1/2"
30	G10037	135	Hex Head Cap Screw, 1/2"-13 x 1 1/4"
31	G10071	30	Serrated Flange Nut, 1/2"-13
32	G10228	105	Lock Washer, 1/2"
33	G10567	15	External Retaining Ring, 5/8"
34	G10621	30	Serrated Flange Nut, 1/4"-20
35	G10918	15	Machine Bushing, 5/8", 14 Gauge (.0747")
36	G11385	30	Flat Washer, 1/4" SAE
37	G11386	45	Flat Washer, 5/16" SAE
38	G11389	30	Flat Washer, 1/2" Plated SAE
39	GD35904-01	-	Hose Identification Sleeve, Purple PP
40	*A7680-42	1	Hose Assembly, 1/4" x 42" (04F-06F)

\* Hydraulic hose is not stocked by Kinze Repair Parts.

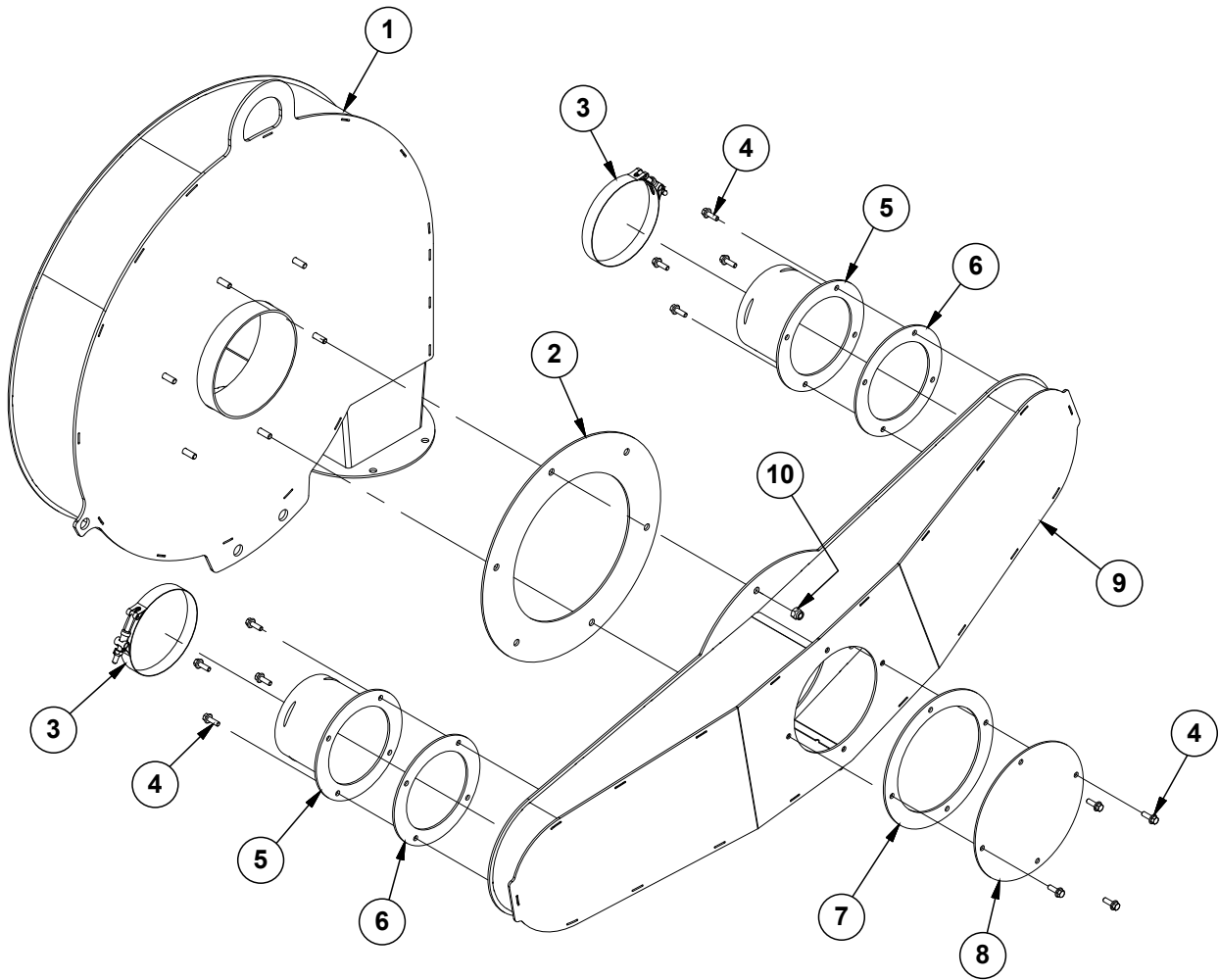
(IP1591)

12 Row 30" Shown





ITEM	PART NO.	QTY.	DESCRIPTION
1	G10224001	1	Manifold, 12 Row (Shown)
	G10223501	1	Manifold, 16 Row
2	G10676	12/16	Hose Clamp, No. 36, Stainless Steel
	GD31424	12/16	Vacuum Cuff Screw, 1½"
3	G10117601	8	Mainframe Manifold Mount
	GD11721	8	U-Bolt, 5" x 7" x ½"-13
	G10071	16	Serrated Flange Nut, ½"-13
4	G10019	8	Hex Head Cap Screw, ⅝"-18 x 1"
	G11386	8	Flat Washer, ⅝" SAE
	G10620	8	Serrated Flange Nut, ⅝"-18
5	G10755	2	Hex Head Cap Screw, ⅝"-18 x 3"
	GD2971-21	2	Sleeve
	G11386	2	Flat Washer, ⅝" SAE
	G10620	2	Serrated Flange Nut, ⅝"-18
6	G11146	4	T-Bolt Clamp, 6¾"
7	GD16317-01	2	Hose, 7" x 21"
8	G10117701	1	Manifold
9	G10060	2	Hex Head Cap Screw, ⅝"-18 x 2 ½"
	G11386	2	Flat Washer, ⅝" SAE
	G10620	2	Serrated Flange Nut, ⅝"-18
10	GD20722	4	Wing Manifold Mount
	GD4743	4	U-Bolt, 3" x 3" x ½"-13
11	G10224201	1	Manifold
12	G10100901	1	Manifold, 12 Row (Shown)
	G10223701	1	Manifold, 16 Row
13	G11188	4	T-Bolt Clamp, 5¼"
14	G10244501	1	Diffuser Mount Bracket
	G10025	2	Hex Head Cap Screw, ¾"-10 x 1½"
	G11392	2	Flat Washer, ¾" SAE
15	G10307901	1	Hydraulic Block Mount
	G10809	2	Hex Head Cap Screw, ⅜"-16 x 3¼"
	G11387	2	Flat Washer, ⅜" SAE
	G11091	2	Serrated Flange Nut, ⅜"-16
16	---	1	<a href="#">See "Vacuum Fan Motor Valve Block Assembly (Located Below Vacuum Fan Motor Assembly)" on page P190</a>
	G10809	2	Hex Head Cap Screw, ⅜"-16 x 3¼"
	G11387	8	Flat Washer, ⅜" SAE
17	G10025	2	Hex Head Cap Screw, ¾"-10 x 1½"
	GD20539	2	Bushing
	G11392	2	Flat Washer, ¾" SAE
18	G10083301	1	Flange Seal, 6 Bolt
19	G10349101	1	Fan Mount
20	GA14444	1	Ladder Stiffener Mount
21	G10190401	1	Ladder Stiffener Tube
	G10325	2	Hex Head Cap Screw, ⅜"-16 x 2¾"
	G10108	2	Lock Nut, ⅜"-16
22	G10753	4	Hex Head Cap Screw, ⅜"-16 x 4½"
	G10108	4	Lock Nut, ⅜"-16
23	G10188701	1	Diffuser Cap
24	G10188801	1	Diffuser Ring
25	GD2971-26	8	Sleeve, ⅜" I.D x ⅝" O.D. x 1.63" Long
26	---	1	<a href="#">See "Vacuum Fan Snorkel Mount" on page P63</a>
	G10004	6	Hex Head Cap Screw, ⅜"-16 x 1¼"
	G10108	6	Lock Nut, ⅜"-18

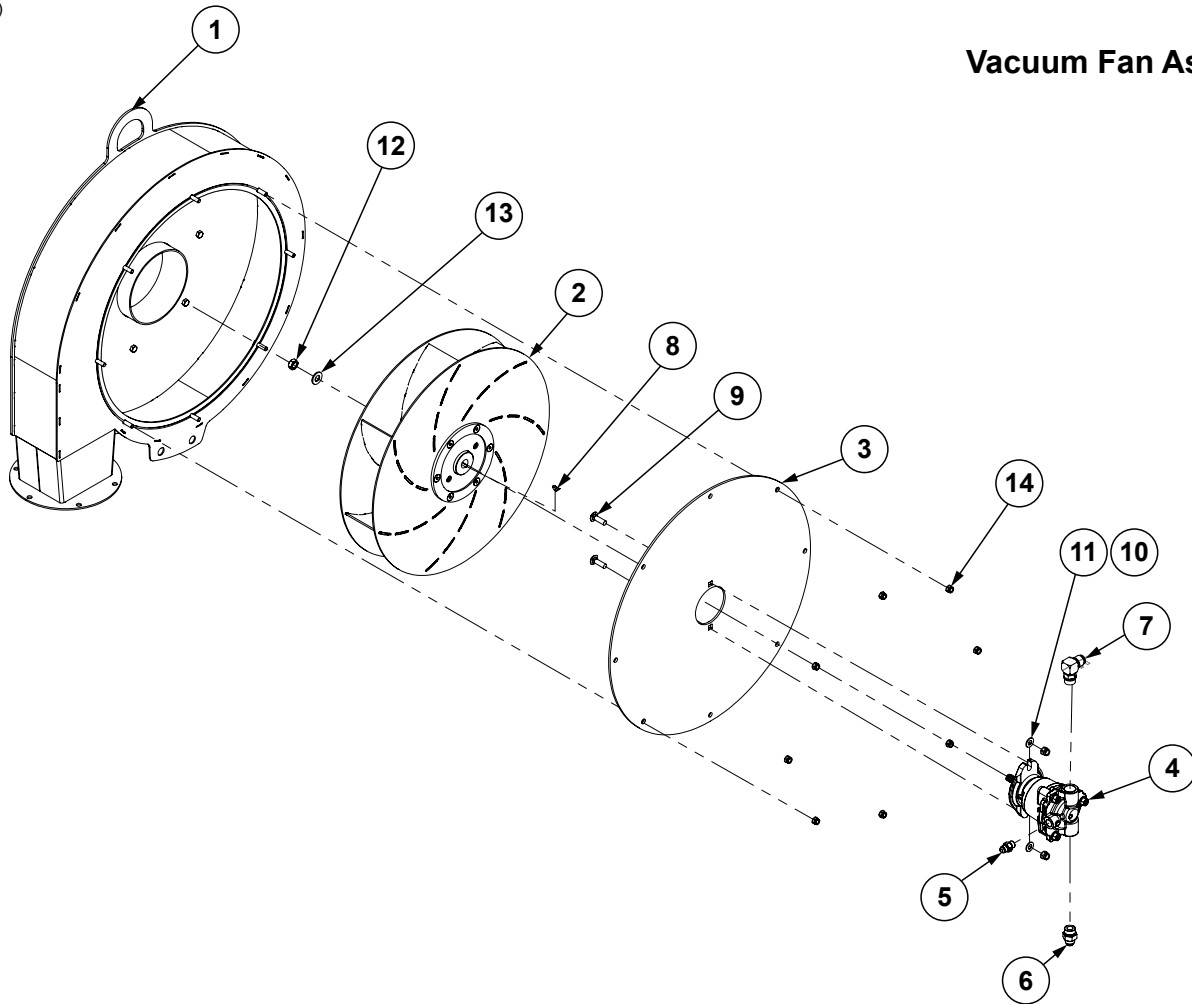


ITEM	PART NO.	QTY.	DESCRIPTION
1	---	---	<a href="#">See "Vacuum System" on page P65</a>
2	G10117801	1	Gasket Spacer
3	G11188	2	T-Bolt Clamp, 5¼"
4	G11166	12	Hex Socket Flange Cap Screw, ¼"-20 x ¾"
5	GA13667	2	Snorkel Flange
6	GD19460	2	Flange Seal, 4 Bolt
7	GD19470	1	Flange Seal, 4 Bolt
8	GD19469	1	Snorkel Access Cover
9	G10225101	1	Snorkel
10	G10901	6	Lock Nut, ⅜"-16

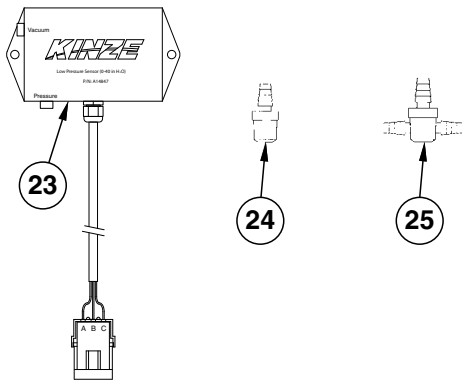
**This page left blank intentionally.**

(10341501)

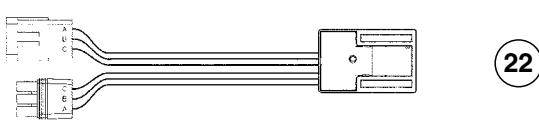
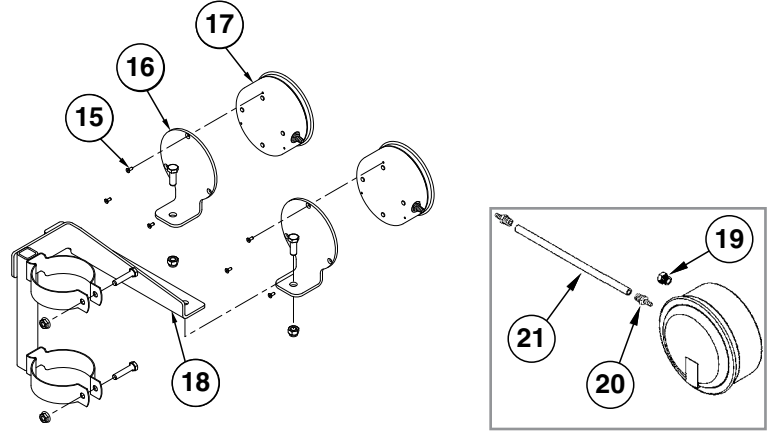
Vacuum Fan Assembly



Sending Unit

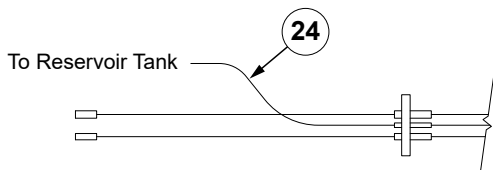
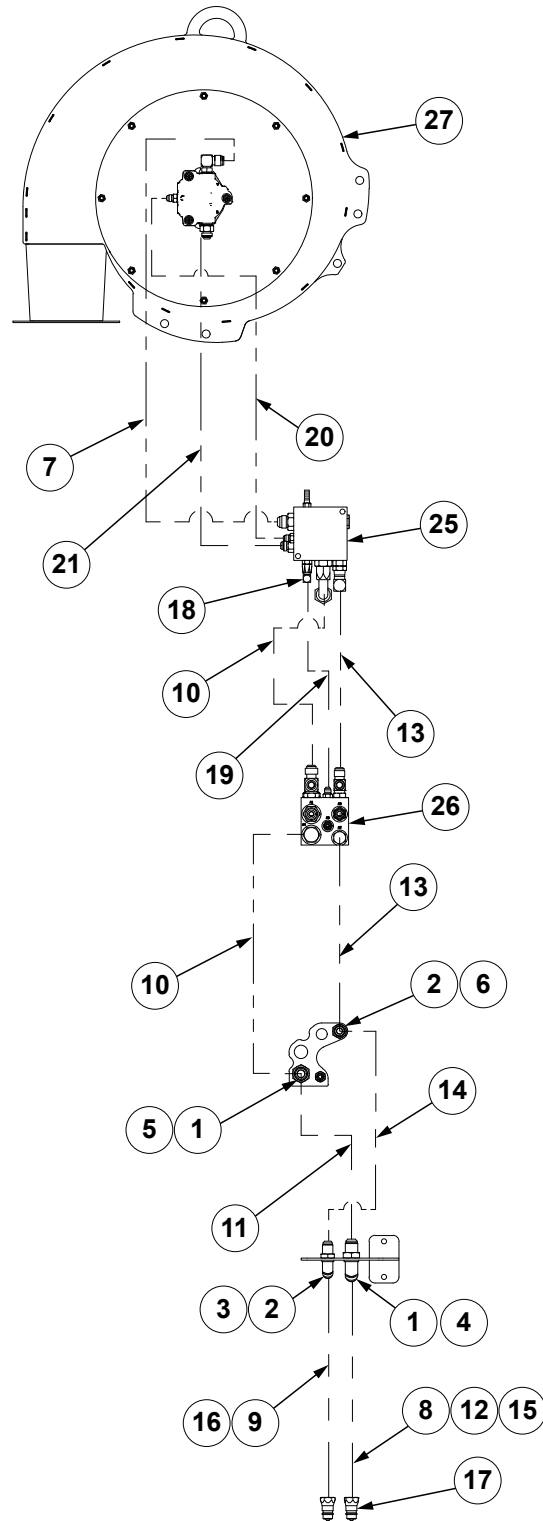
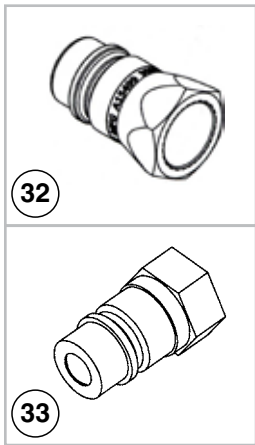


Analog Gauge



ITEM	PART NO.	QTY.	DESCRIPTION
1	G10341401	1	Vacuum Fan Housing
2	G10341601	1	Vacuum Fan Impellor
3	G10341001	1	Motor Mount Cover
4	GA24543	1	Hydraulic Motor
	GR2333	-	Seal Kit
	GR2314	-	Motor Key
5	G6400-06	1	Connector W/O-Ring, ¼"-18 Male JIC To O-Ring
	GR1045	-	O-Ring
6	G6400-08-10	1	Connector W/O-Ring, ¾"-16 Male JIC To ⅞"-14 O-Ring
	GR1466	-	O-Ring
7	G6801-10	1	Elbow W/O-Ring, 90°, ⅞"-14 Male JIC To O-Ring
	GR1466	-	O-Ring
8	GR2314	1	Motor Key
9	G10599	2	Carriage Bolt, ⅜"-16 x 1¼"
10	G10901	2	Lock Nut, ⅜"-16
11	G11387	2	Flat Washer, ⅜" SAE
12	G11704	1	Hex Jam Nut, ½"-20, Grade 2
13	G11389	1	Flat Washer, ½" Plated SAE
14	G11182	8	Lock Nut W/Nylon Insert, ⅝"-18
15	G11215	6	Hex Socket Head Cap Screw, No. 6-32 x ⅜", Grade 8
16	GD15804	2	Mount
	G10108	2	Lock Nut, ⅜"-16
	G10004	2	Hex Head Cap Screw, ⅜"-16 x 1¼"
17	GA21406	2	Analog Vacuum Gauge W/Hose Barb
	GR1777	-	Hose Barb, ⅜" x ⅛" NPT (Included W/GA21406)
18	---	-	<a href="#">See "Center Pivot" on page P121</a>
19	GA10799	1	Breather, ⅛" Male NPT
20	GR1777	-	Hose Barb, ⅛" Male NPT To ⅜" Barb
21	GD15849-02	1	Clear Tubing, ⅝" O.D. x ⅜" I.D. x 120"
22	GA12812	-	Hall Effect Adapter
23	GA14847	1	Low Pressure Sensor (0-40 IN H <sub>2</sub> O) (Replaces GA12811)
	GD17151-20	-	Tubing, ¼" x 10', (Only with GA14847)
	GD16324-01	-	Clear Plastic Tubing, ¼" x 45"
	GA9964	-	Strain Relief
	G1K248	-	3-Pin Female Connector Kit (Black), Includes: (3) 3-Pin Female Housings, (9) Pin Contacts, (9) Seals
24	GR1736	1	Hose Barb, ⅛" Male NPT To Barb
25	GD21278	-	Reducing Tee, ⅜" x ⅛"

(10077801)

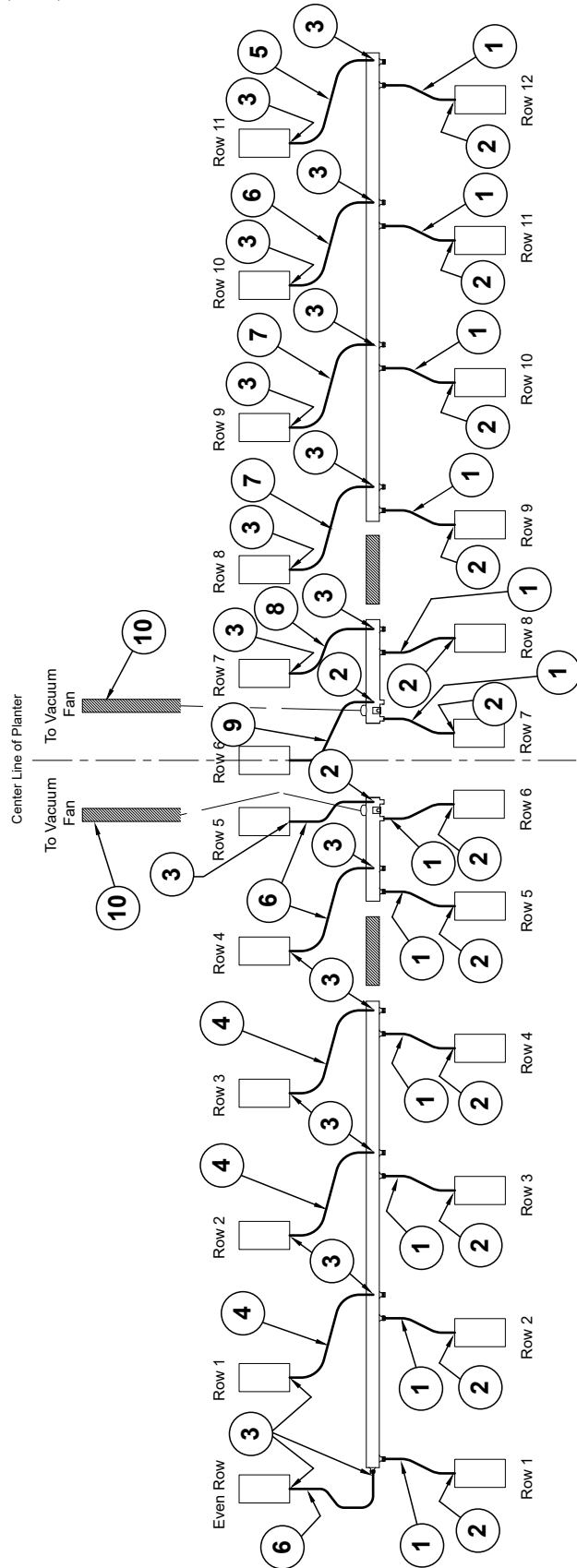


Mechanical/Vacuum W/Tractor Mounted PTO Pump

ITEM	PART NO.	QTY.	DESCRIPTION
1	G306-12	2	Lock Nut, 1 $\frac{1}{16}$ "-12
2	G306-10	2	Lock Nut, $\frac{7}{8}$ "-14
3	G2702-10	1	Bulkhead Elbow, 45°, $\frac{7}{8}$ "-14 Male JIC
4	G2702-12	1	45° Bulkhead Tube Union, 1 $\frac{1}{16}$ "-12 Male JIC
5	G2700-12	1	Bulkhead Tube Union, 1 $\frac{1}{16}$ "-12 Male JIC
6	G2700-10	1	Bulkhead Tube Union, $\frac{7}{8}$ "-14 Male JIC
7	*A21541-28	1	Hose Assembly, $\frac{5}{8}$ " x 28" (10F-12F90M)
8	GA26924-06	1	Hose Label/Cover, Green (Retract)
9	GA26924-05	1	Hose Label/Cover, Green (Extend)
10	*A11443	2	Hose Assembly, $\frac{5}{8}$ " x 73" (12F-12F)
11	*A11442	1	Hose Assembly, $\frac{5}{8}$ " x 137 $\frac{1}{2}$ " (12F-12F)
12	*A21548-206	1	Hose Assembly, $\frac{5}{8}$ " x 206" (12F-1/2M NPTF W/Ext., W/Tip), 12 Row
	*A21548-266		Hose Assembly, $\frac{5}{8}$ " x 266" (12F-1/2M NPTF W/Ext., W/Tip), 16 Row
13	A1464	2	Hose Assembly, $\frac{1}{2}$ " x 72" (10F-10F)
14	*A12751	1	Hose Assembly, $\frac{1}{2}$ " x 142 $\frac{1}{2}$ "
15	G7100-375	1	Tag, Hydraulic Motor Return Line
16	*A18693-206	1	Hose Assembly, $\frac{1}{2}$ " x 206" (10F-1/2M NPTF W/Ext., W/Tip), 12 Row
	*A18693-268	-	Hose Assembly, $\frac{1}{2}$ " x 268" (10F-1/2M NPTF W/Ext., W/Tip), 16 Row
17	GD25522	1	Hydraulic Tip Cover
18	G6500-06	1	Connector W/O-Ring, $\frac{9}{16}$ "-18 Male JIC To O-Ring
19	*A12094	1	Hose Assembly, $\frac{3}{8}$ " x 73" (06F-06F)
20	*A12002	1	Hose Assembly, $\frac{3}{8}$ " x 32" (06F-06F)
21	*A12745	1	Hose Assembly, $\frac{1}{2}$ " x 22" (08F-10F)
22	GA15499	-	Special Pioneer Coupler, Zero Pressure Return
	GD25522	-	Hydraulic Tip Cover
23	GD4086	-	ISO Coupler
24	*A12092	1	Hose Assembly, $\frac{3}{8}$ " x 127" (06F-08F), 12 Row
	*A12091	-	Hose Assembly, $\frac{3}{8}$ " x 187" (06F-08F), 16 Row
25	---		<a href="#">See "Vacuum Fan Motor Valve Block Assembly (Located Below Vacuum Fan Motor Assembly)" on page P190</a>
26	---		<a href="#">See "Valve Blocks - Located on R.H. Rear Center Frame" on page P181</a>
27	---		<a href="#">See "Vacuum Fan Hydraulic Components" on page P67</a>

\*Hydraulic hose is not stocked by Kinze Repair Parts.

(IP1594)



R.H. Side Of Planter

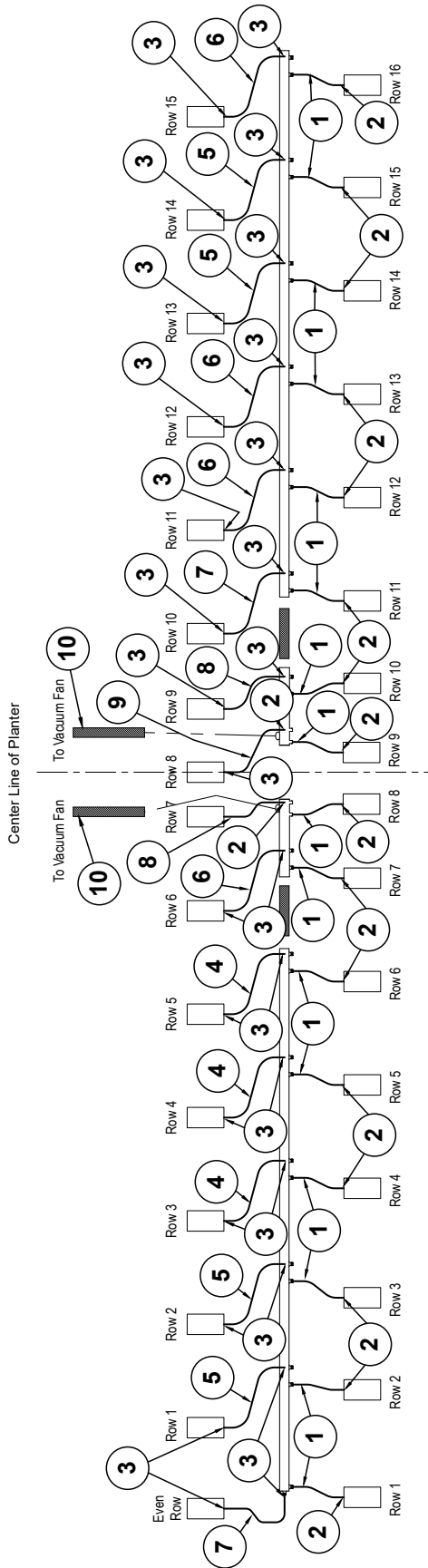
L.H. Side Of Planter

ITEM	PART NO.	QTY.	DESCRIPTION
1	*D36495-55	12	Hose, 1½" x 55" (Black)
2	GB1216	14	Vacuum Cuff Screw (Manifold), 1½"
	GB1313	-	90° Elbow, 1½" Hose (Meter)
3	GD31424	20	Vacuum Cuff Screw, 1½"
4	*D36495-36	3	Hose, 1½" x 36" (Black)
5	*D36495-40	1	Hose, 1½" x 40" (Black)
6	*D36495-42	4	Hose, 1½" x 42" (Black)
7	*D36495-46	2	Hose, 1½" x 46" (Black)
8	*D36495-50	1	Hose, 1½" x 50" (Black)
9	*D36495-70	1	Hose, 1½" x 70" (Black)
10	GD15867-04	2	Hose, 5" x 42"

\*Hose not stocked by Kinze repair parts, but is available in bulk (GD36495-600)



(IP1595)



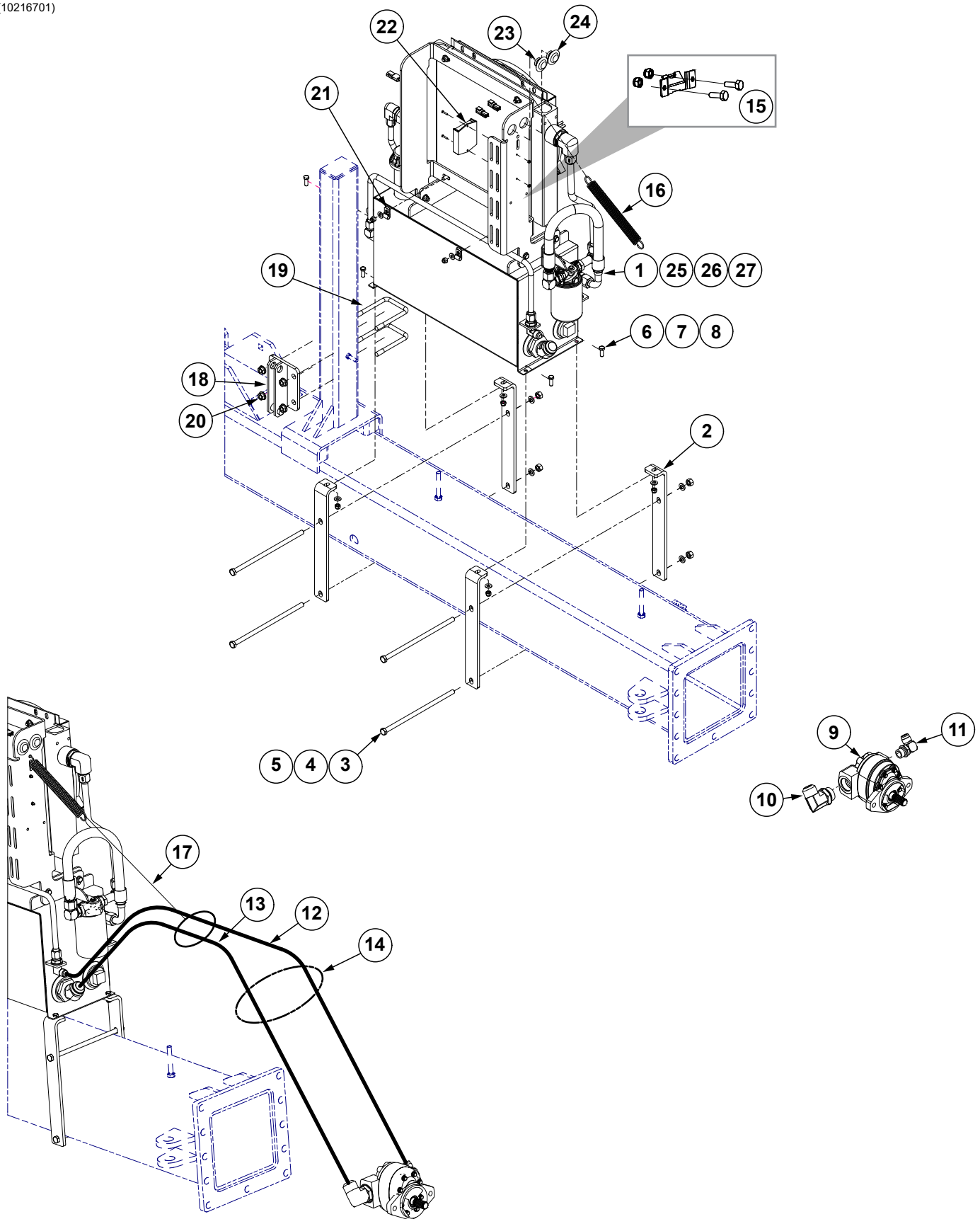
R.H. SIDE OF PLANTER

L.H. SIDE OF PLANTER

ITEM	PART NO.	QTY.	DESCRIPTION
1	*D36495-55	16	Hose, 1/2" x 55" (Black)
2	GB1216	18	Vacuum Cuff Screw (Meter), 1 1/2"
3	GD31424	28	Vacuum Cuff Screw, 1 1/2"
4	*D36495-36	3	Hose, 1 1/2" x 36" (Black)
5	*D36495-40	4	Hose, 1 1/2" x 40" (Black)
6	*D36495-42	4	Hose, 1 1/2" x 42" (Black)
7	*D36495-46	1	Hose, 1 1/2" x 46" (Black)
8	*D36495-50	2	Hose, 1 1/2" x 50" (Black)
9	*D36495-70	1	Hose, 1 1/2" x 70" (Black)
10	GD15867-04	2	Hose, 5" x 42"

\*Hose not stocked by Kinze repair parts, but is available in bulk (GD36495-600)

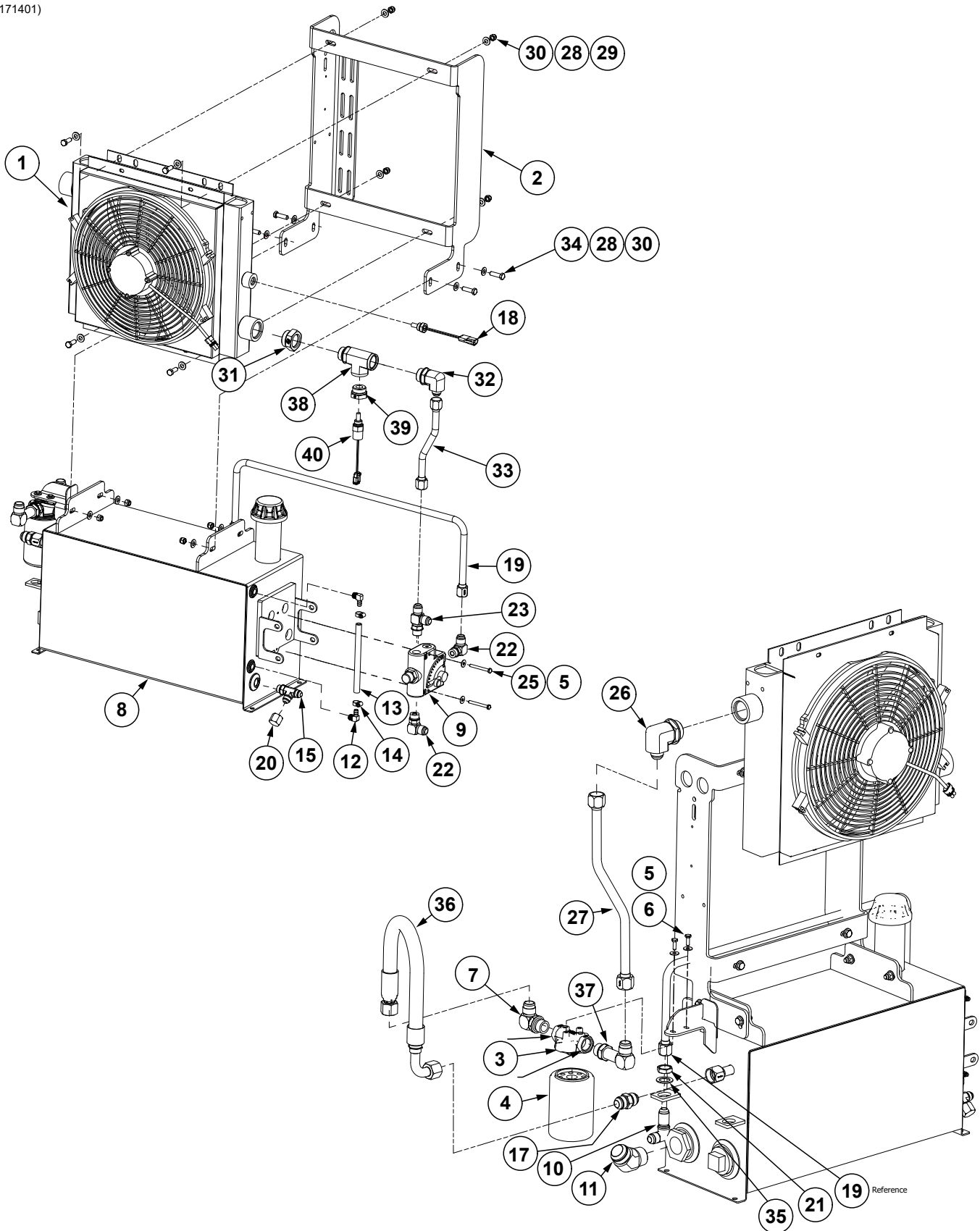
(10216701)



ITEM	PART NO.	QTY.	DESCRIPTION
1	---	---	<a href="#">See "PTO Pump - Single Stage, Vacuum" on page P73</a>
2	G10216901	4	Tank Mount Bracket
3	G11158	4	Hex Head Cap Screw, ½"-13 x 1½"
4	G10228	4	Lock Washer, ½"
5	G10102	4	Hex Nut, ½"-13
6	G10001	4	Hex Head Cap Screw, ⅜"-16 x 1"
7	G11387	4	Hardened Washer, ⅜" SAE
8	G10108	4	Lock Nut, ⅜"-16
9	GA14446	1	PTO Pump
10	G6801-20	1	Elbow W/O-Ring, 90°, 1⅝"-12 Male JIC To O-Ring
11	G6801-12 GR1467	1 -	Elbow W/O-Ring, 90°, 1¼"-12 Male JIC To O-Ring O-Ring
12	*A25707-72	1	Hose Assembly, ½" AR x 72" (10F45-12F)
13	*A11810-72	1	Hose Assembly, 1¼" x 72" (20F - 20F)
14	GD19383-03	1	Hose Wrap, 60"
15	G10567801 G10023 G10110	1 2 2	Relay Module Mount Bracket Hex Head Cap Screw, ¼"-20 x ¾" Lock Nut, ¼"-20, Grade B
16	GD0829	1	Spring
17	GA14152	1	Hose Strap
18	GA11528	1	Bracket
19	GD16642	2	U-Bolt, 3" x 4" x ½"-13
20	G10071	4	Serrated Flange Nut, ½"-13
21	GD6291	2	Insulated Clamp, ⅜"
22	G10396901	1	Reverser Module Assembly
23	G10098401	1	PTO Red Light Harness
24	G10098301	1	PTO Green Light Harness
25	G10049501	1	Tractor Battery Connection Harness and Fuse Kit
26	G10724901	1	Tractor Power Harness
27	G10649801	1	PTO Harness, 3000 Series

\*Hydraulic hose is not stocked by Kinze Repair Parts.

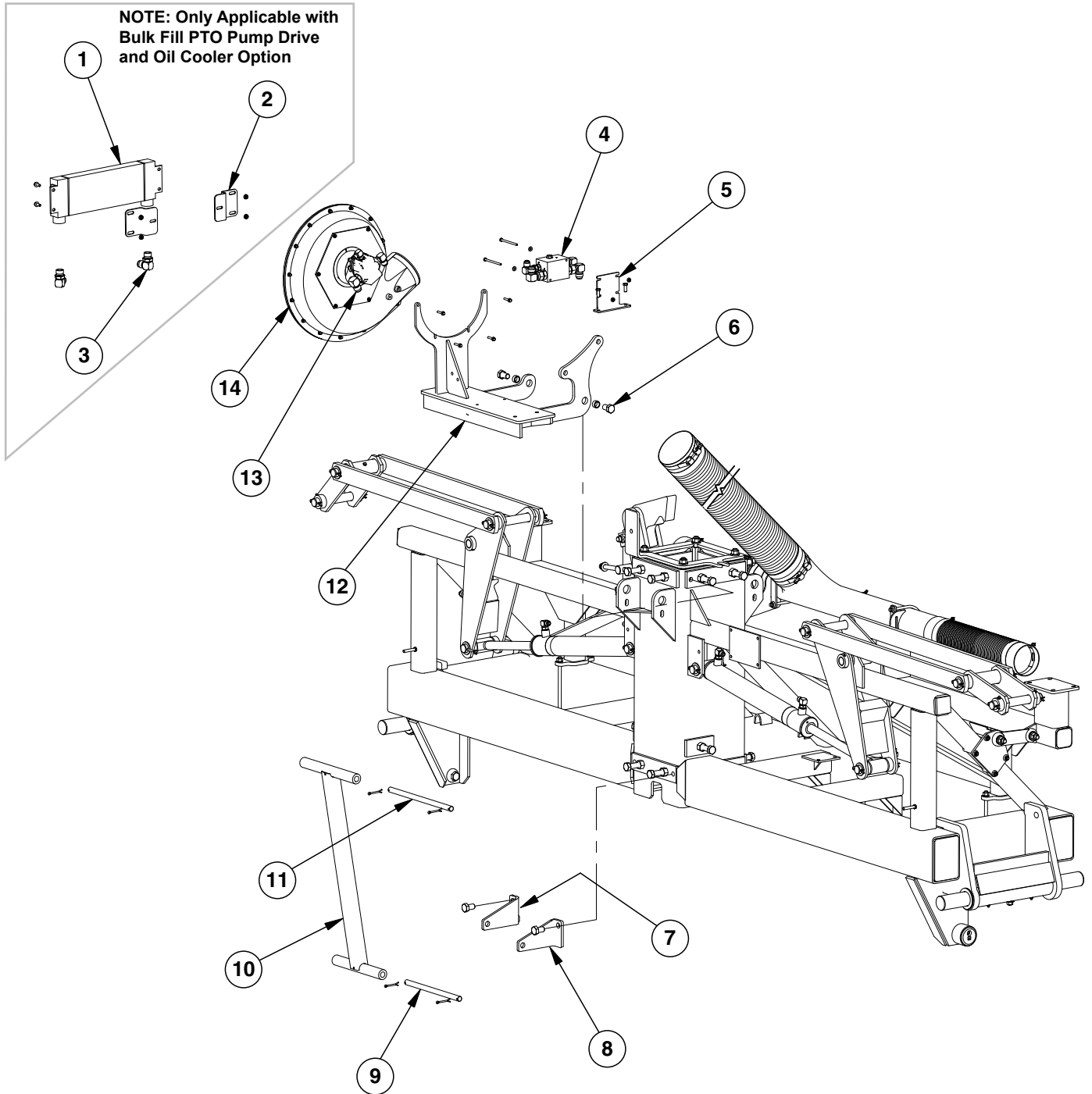
(10171401)



ITEM	PART NO.	QTY.	DESCRIPTION
1	G10207201	1	Cooler and Fan Assembly
2	G10395301	1	Cooler Mount Bracket
3	GD16038	1	Filter Head
4	GD16037	1	Oil Filter, 10 Micron
5	G10209	4	Washer, ¼" USS
6	G10023	2	Hex Head Cap Screw, ¼"-20 x ¾"
7	G6801-12 GR1467	2 -	Elbow W/O-Ring, 90°, 1½"-12 Male JIC To O-Ring O-Ring
8	G10395501 GA27102 GD16040	1 - -	PTO Reservoir Filler Breather (Included W/G10395501) Strainer (Included W/G10395501)
9	GA10918	1	Flow Control Valve
10	G2701-10	1	Elbow, 90°, ⅞"-14 Male JIC
11	G2503-20	1	Elbow, 45°, 1⅝"-12 JIC x 1¼" MNPT
12	GD35381	2	⅜" O.D. Brass Barbed x ¼" NPT 90° Elbow
13	*D6279-07	1	Clear Plastic Tubing, ⅜" x 7¼"
14	G10331001	2	No. 4 Hose Clamp, ⅝" - 1¼" x ⅝"
15	G6804-08 GR1037	1 -	Adjustable Tee, ¾"-16 Male JIC To O-Ring O-Ring
17	G2403-12	1	Union, 1½"-12 Male JIC
18	G10087001	1	Temperature Sensor, 100°
19	G10211501	1	Steel Hydraulic Line, ⅝"
20	G304-C-8	1	Cap Nut, ¾"-16
21	G306-10	1	Lock Nut, ⅞"-14
22	G6801-10 GR1466	2 -	Elbow W/O-Ring, 90°, ⅞"-14 Male JIC To O-Ring O-Ring
23	G6804-10	1	Tee, ⅞"-14 JIC, ⅞"-14-O-Ring
24	---	---	---
25	G10880	2	Hex Head Cap Screw, ¼"-20 x 2¼"
26	G6801-12-20	1	Swivel Elbow, 90°, 1½"-12 x 1⅝"-12
27	G10194501	1	Steel Hydraulic Line, ¾"
28	G11387	16	Flat Washer, ⅜" SAE
29	G10001	4	Hex Head Cap Screw, ⅜"-16 x 1"
30	G10108	8	Lock Nut, ⅜"-16
31	G6410-20-16	1	Adapter, 1⅝"-12 O-Ring x 1⅝"-12
32	G6801-10-16	1	Adjustable 90° Elbow, ⅞"-14 x 1⅝"-12 O-Ring
33	G10395401	1	Steel Hydraulic Line, ⅝"
34	G10004	4	Hex Head Cap Screw, ⅜"-16 x 1¼"
35	G10235	1	Machine Bushing, ⅞", 14 Gauge (.0747")
36	*A12937-24	1	Hose Assembly, ¾" x 24" (12F-12F90S)
37	G6801-LL-12	1	Adjustable Elbow W/O-Ring, 1½"-12 x 1½"-12
38	G6835-16-16-16	1	Tee, 1⅝" O-Ring
39	G6410-16-08	1	Adapter W/O-Ring, 1⅝"-12 x ¾"-16
40	G10098201	1	Temperature Sensor

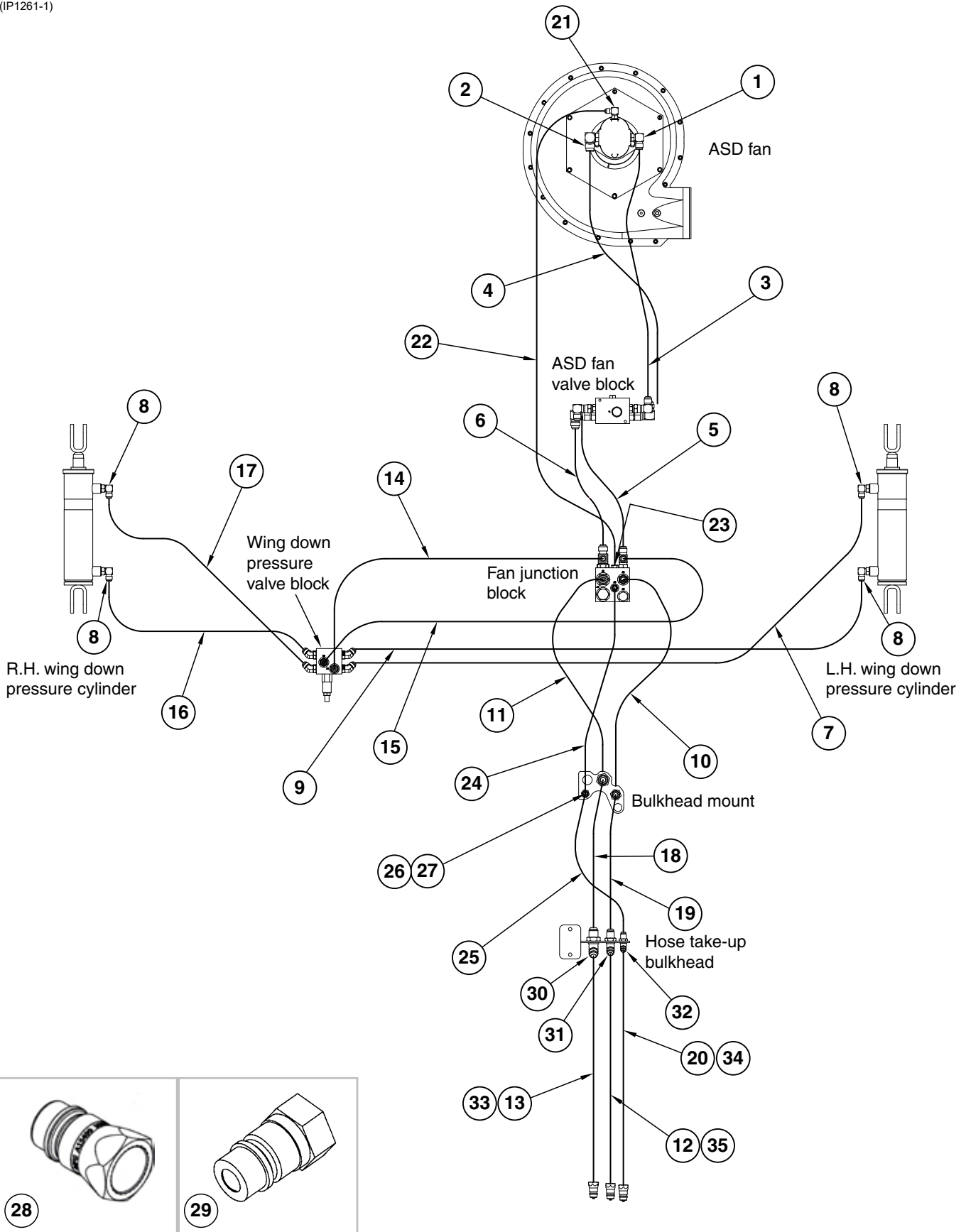
\*Item is not stocked by Kinze repair parts, but is available in bulk (GD6279-00).

(IP1263-2)



ITEM	PART NO.	QTY.	DESCRIPTION
1	GA10917	1	Hydraulic Oil Cooler
	G10961	4	Flanged Whiz Lock Screw, 5/16"-18 x 3/4", No Serration
	G10620	4	Serrated Flange Nut, 5/16"-18
2	GD19225	2	Cooler Mount Bracket
3	G6801-12	2	Elbow W/O-Ring, 90°, 1 1/16"-12 Male JIC To O-Ring
4	---	-	<a href="#">See "Bulk Fill Fan Valve Block" on page P191</a>
	G10162	2	Hex Head Cap Screw, 1/4"-20 x 3 1/4"
	G11385	2	Flat Washer, 1/4" SAE
	G10621	2	Serrated Flange Nut, 1/4"-20
5	GD20591	1	Bulk Fill Hydraulic Block Mount
	G10001	2	Hex Head Cap Screw, 3/8"-16 x 1"
6	G10156	2	Hex Head Cap Screw, 3/4"-10 x 1 1/4"
	GD20539	2	Bushing
7	GA14385	1	Strut Mount, L.H.
	G10025	1	Hex Head Cap Screw, 3/4"-10 x 1 1/2"
8	GA14384	1	Strut Mount, R.H.
	G10025	1	Hex Head Cap Screw, 3/4"-10 x 1 1/2"
9	GD20534	1	Lower Strut Pin
	G10462	2	Cotter Pin, 3/16" x 2"
10	GA14383	1	Fan Strut Mount
11	GD20518	1	Upper Strut Pin
	G10462	2	Cotter Pin, 3/16" x 2"
12	GA22268	1	Fan Mount
	G11337	4	Hex Serrated Flange Cap Screw, 1/4"-20 x 1 1/4"
13	G6801-12-10	1	Elbow W/O-Ring, 90°, 1 1/16"-12 Male JIC To 7/8"-14 O-Ring
	G6801-10	1	Elbow W/O-Ring, 90°, 7/8"-14 Male JIC To O-Ring
	GR1466	-	O-Ring
14	---	-	<a href="#">See "Bulk Fill Fan System" on page P81</a>

(IP1261-1)

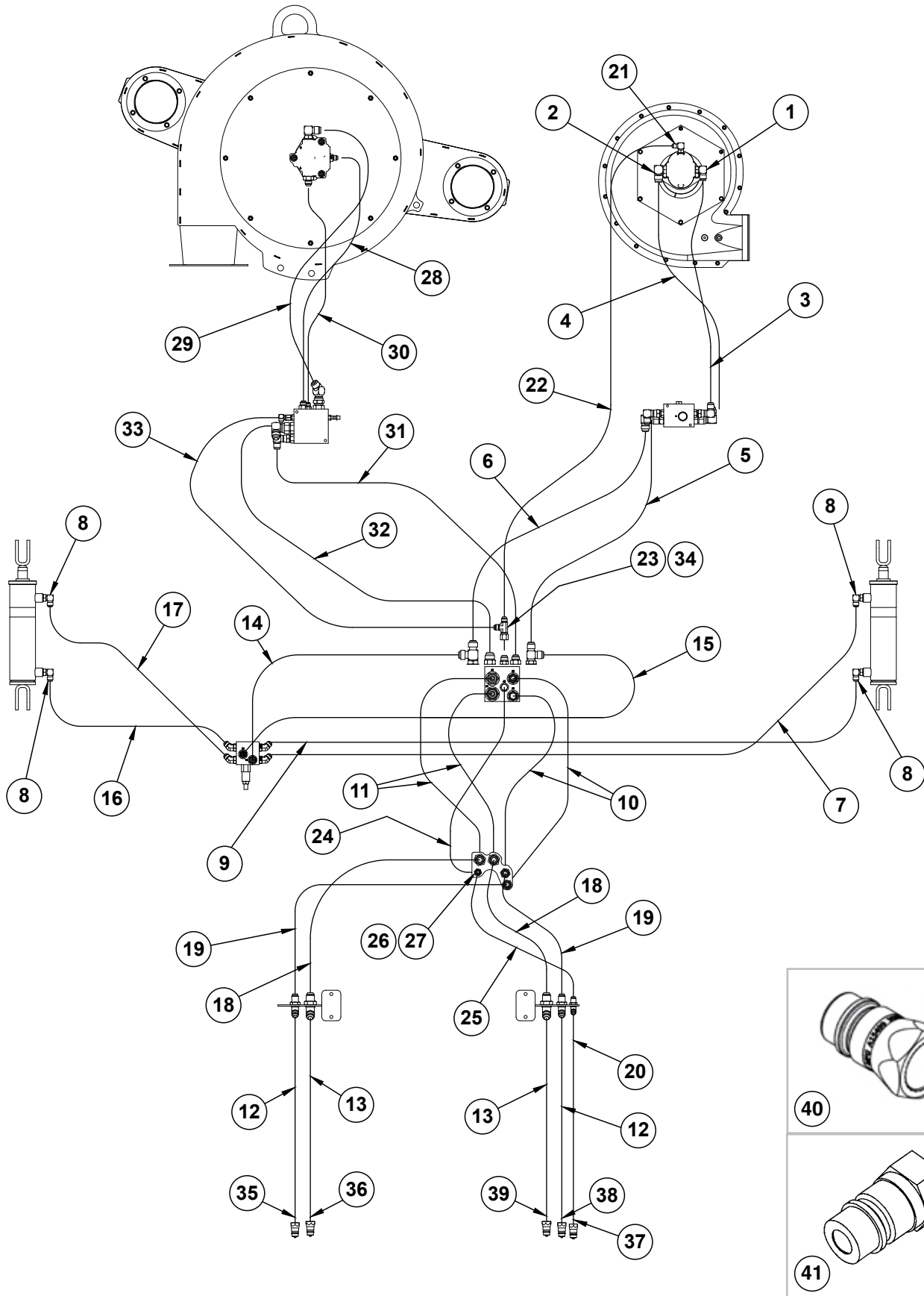




ITEM	PART NO.	QTY.	DESCRIPTION
1	G6801-12 GR1467	1 -	Elbow W/O-Ring, 90°, 1 $\frac{1}{16}$ "-12 Male JIC To O-Ring O-Ring
2	G6801-10-12 GR1037	1 -	Elbow W/O-Ring, 90°, $\frac{7}{8}$ "-14 Male JIC To 1 $\frac{1}{16}$ "-12 O-Ring O-Ring
3	*A12755	1	Hose Assembly, $\frac{1}{2}$ " x 44"
4	*A11447	1	Hose Assembly, $\frac{5}{8}$ " x 45"
5	*A1464	1	Hose Assembly, $\frac{1}{2}$ " x 72" (10F-10F)
6	*A11443	1	Hose Assembly, $\frac{5}{8}$ " x 73" (12F-12F)
7	*A3117	1	Hose Assembly, $\frac{3}{8}$ " x 176"
8	G6801-08 GR1037	4 -	Elbow W/O-Ring, 90°, $\frac{3}{4}$ "-16 Male JIC To O-Ring O-Ring
9	*A12076	1	Hose Assembly, $\frac{3}{8}$ " x 165"
10	*A1464	1	Hose Assembly, $\frac{1}{2}$ " x 72"
11	*A11443	1	Hose Assembly, $\frac{5}{8}$ " x 73"
12	*A18693-206 *A18693-268	1 -	Hose Assembly, $\frac{1}{2}$ " x 206" (10F-1/2M NPTF W/Ext., W/Tip), 12 Row Hose Assembly, $\frac{1}{2}$ " x 268" (10F-1/2M NPTF W/Ext., W/Tip), 16 Row
13	*A21548-206 *A21548-266	1 -	Hose Assembly, $\frac{5}{8}$ " x 206" (12F-1/2M NPTF W/Ext., W/Tip), 12 Row Hose Assembly, $\frac{5}{8}$ " x 266" (12F-1/2M NPTF W/Ext., W/Tip), 16 Row
14	*A12752	1	Hose Assembly, $\frac{1}{2}$ " x 23"
15	*A12085	1	Hose Assembly, $\frac{3}{8}$ " x 26"
16	*A3158	1	Hose Assembly, $\frac{3}{8}$ " x 46"
17	*A1021	1	Hose Assembly, $\frac{3}{8}$ " x 56"
18	*A11442 *A11458	1 -	Hose Assembly, $\frac{5}{8}$ " x 137 $\frac{1}{2}$ ", 12 Row 30" and 16 Row 30" Hose Assembly, $\frac{5}{8}$ " x 152", 16 Row 7.5" Twin Row
19	*A12751 *A12774	1 -	Hose Assembly, $\frac{1}{2}$ " x 142 $\frac{1}{2}$ ", 12 Row 30" and 16 Row 30" Hose Assembly, $\frac{1}{2}$ " x 157", 16 Row 7.5" Twin Row
20	*A26938-206 *A26938-266	1 -	Hose Assembly, $\frac{3}{8}$ " x 206" (08F-1/2M NPTF W/Ext., W/Tip), 12 Row Hose Assembly, $\frac{3}{8}$ " x 266" (08F-1/2M NPTF W/Ext., W/Tip), 16 Row
21	G6801-06 GR1045	1 -	Elbow W/O-Ring, 90°, $\frac{9}{16}$ "-18 Male JIC To O-Ring O-Ring
22	*A12094	1	Hose Assembly, $\frac{3}{8}$ " x 73" (06F-06F)
23	G6400-06 GR1045	1 -	Connector W/O-Ring, $\frac{9}{16}$ "-18 Male JIC To O-Ring O-Ring
24	*A12094	1	Hose Assembly, $\frac{3}{8}$ " x 73
25	*A12096 *A15023	1 -	Hose Assembly, $\frac{3}{8}$ " x 140", 12 Row 30" and 16 Row 30" Hose Assembly, $\frac{3}{8}$ " x 154", 16 Row 7.5" Twin Row
26	G306-06	1	Lock Nut, $\frac{9}{16}$ "-18
27	G2700-06-06	1	Bulkhead Tube Union, $\frac{9}{16}$ "-18 Male JIC
28	GA15499 GD25522	- -	Special Pioneer Coupler, Zero Pressure Return Hydraulic Tip Cover
29	GD4086	-	ISO Coupler
30	G2702-12	1	Bulkhead Elbow, 45°, 1 $\frac{1}{16}$ "-12 Male JIC
31	G2702-10	1	Bulkhead Elbow, 45°, $\frac{7}{8}$ "-14 Male JIC
32	G2702-06	1	Bulkhead Elbow, 45°, $\frac{9}{16}$ "-18 Male JIC
33	GA26924-08	1	Hose Label/Cover, Yellow (Retract)
34	GA26924-11	1	Hose Label/Cover, Orange (Case Drain)
35	GA26924-07	1	Hose Label/Cover, Yellow (Extend)

\* Hydraulic hose is not stocked by Kinze Repair Parts.

(IP1622)



## Bulk Fill Fan Hydraulic Components (Vacuum)

M0303-02

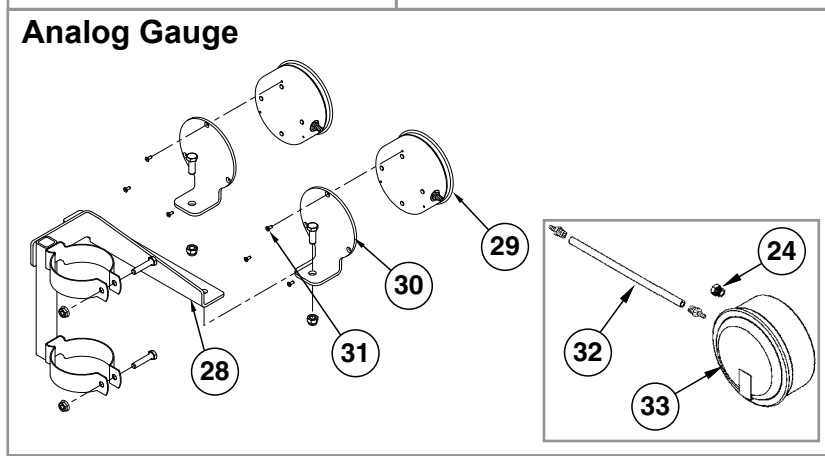
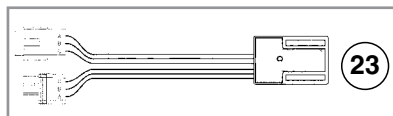
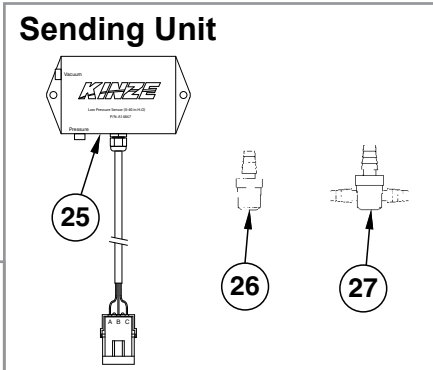
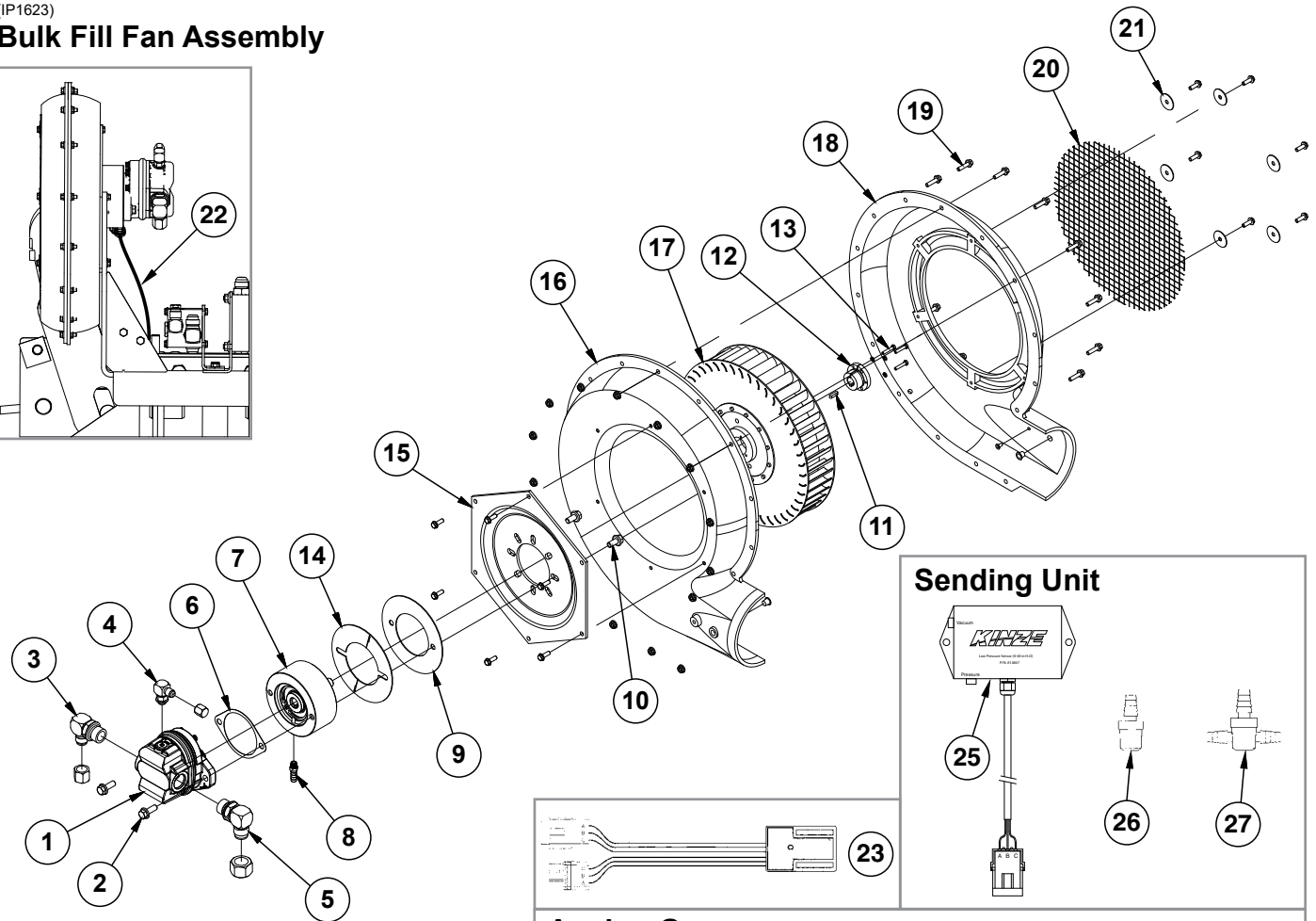
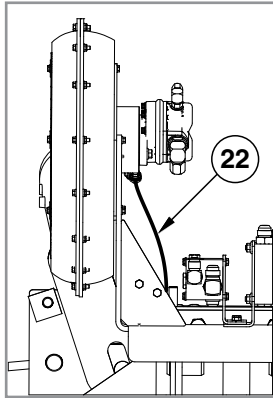
Model 3605

ITEM	PART NO.	QTY.	DESCRIPTION
1	G6801-10 GR1466	1 -	Elbow W/O-Ring, 90°, 7/8"-14 Male JIC To O-Ring O-Ring
2	G6801-12-10 GR1466	1 -	Elbow W/O-Ring, 90°, 1 1/16"-12 Male JIC To 7/8"-14 O-Ring O-Ring
3	*A21533-30	1	Hose Assembly, 3/4" x 30" (12F-12F)
4	*A18688-38	1	Hose Assembly, 1/2" x 38" (10F - 10F90)
5	*A18679-83	1	Hose Assembly, 1/2" x 83" (10F-10M JIC)
6	*A21535-83	1	Hose Assembly, 5/8" x 83" (12F-12M JIC)
7	*A3117	1	Hose Assembly, 3/8" x 176" (08F-08F)
8	G6801-08 GR1037	4 -	Elbow W/O-Ring, 90°, 3/4"-16 Male JIC To O-Ring O-Ring
9	*A12076	1	Hose Assembly, 3/8" x 165" (08F-08F)
10	*A1464	2	Hose Assembly, 1/2" x 72" (10F-10F)
11	*A11443	2	Hose Assembly, 5/8" x 73" (12F-12F)
12	*A18693-206 *A18693-268	2 -	Hose Assembly, 1/2" x 206" (10F-1/2M NPTF W/Ext., W/Tip), 12 Row Only Hose Assembly, 1/2" x 268" (10F-1/2M NPTF W/Ext., W/Tip), 16 Row Only
13	*A21548-206 *A21548-266	2 -	Hose Assembly, 5/8" x 206" (12F-1/2M NPTF W/Ext., W/Tip), 12 Row Only Hose Assembly, 5/8" x 266" (12F-1/2M NPTF W/Ext., W/Tip), 16 Row Only
14	*A12752	1	Hose Assembly, 1/2" x 23" (10F-12F)
15	*A12085	1	Hose Assembly, 3/8" x 26" (08F-10F)
16	*A3158	1	Hose Assembly, 3/8" x 46" (08F-08F)
17	*A1021	1	Hose Assembly, 3/8" x 56" (08F-08F)
18	*A11442 *A11458	1 -	Hose Assembly, 5/8" x 137 1/2" (12F-12F), 12 Row 30" and 16 Row 30" Hose Assembly, 5/8" x 152" (12F-12F), 16 Row 7.5" Twin Row
19	*A12751 *A12774	1 -	Hose Assembly, 1/2" x 142 1/2" (10F-10F), 12 Row 30" and 16 Row 30" Hose Assembly, 1/2" x 157" (10F-10F), 16 Row 7.5" Twin Row
20	*A26938-206 *A26938-266	1 -	Hose Assembly, 3/8" x 206" (08F-1/2M NPTF W/Ext., W/Tip), 12 Row Only Hose Assembly, 3/8" x 266" (08F-1/2M NPTF W/Ext., W/Tip), 16 Row Only
21	G6801-06 GR1045	1 -	Elbow W/O-Ring, 90°, 9/16"-18 Male JIC To O-Ring O-Ring
22	*A12095	1	Hose Assembly, 3/8" x 80" (06F-06F)
23	G6400-06 GR1045	1 -	Connector W/O-Ring, 9/16"-18 Male JIC To O-Ring O-Ring
24	*A12094	1	Hose Assembly, 3/8" x 73" (06F-06F)
25	*A12096 *A15023	1 -	Hose Assembly, 3/8" x 140" (06F-08F), 12 Row 30" and 16 Row 30" Hose Assembly, 3/8" x 154", 16 Row 7.5" Twin Row
26	G306-06	1	Lock Nut, 9/16"-18
27	G2700-06-06	1	Bulkhead Tube Union, 9/16"-18 Male JIC
28	*A8273	1	Hose Assembly, 1/2" x 21" (10F-10F)
29	*A21555-19	1	Hose Assembly, 5/8" x 19" (12F-12F 90)
30	*A12002	1	Hose Assembly, 3/8" x 32" (06F-06F)
31	*A12753	1	Hose Assembly, 1/2" x 57" (10F-10F)
32	*A11444	1	Hose Assembly, 5/8" x 59" (12F-12F)
33	*A12080	1	Hose Assembly, 3/8" x 64" (06F-06F)
34	G6602-06	1	Swivel Tee, 9/16"-18 JIC
35	GA26924-05	1	Hose Label/Cover, Green (Extend)
36	GA26924-06	1	Hose Label/Cover, Green (Retract)
37	GA26924-11	1	Hose Label/Cover, Orange (Retract)
38	GA26924-07	1	Hose Label/Cover, Yellow (Extend)
39	GA26924-08	1	Hose Label/Cover, Yellow (Retract)
40	GA15499 GD25522	- -	Special Pioneer Coupler, Zero Pressure Return Hydraulic Tip Cover
41	GD4086	-	ISO Coupler

\* Hydraulic hose is not stocked by Kinze Repair Parts.

(IP1623)

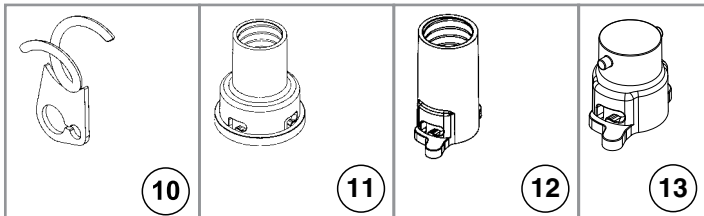
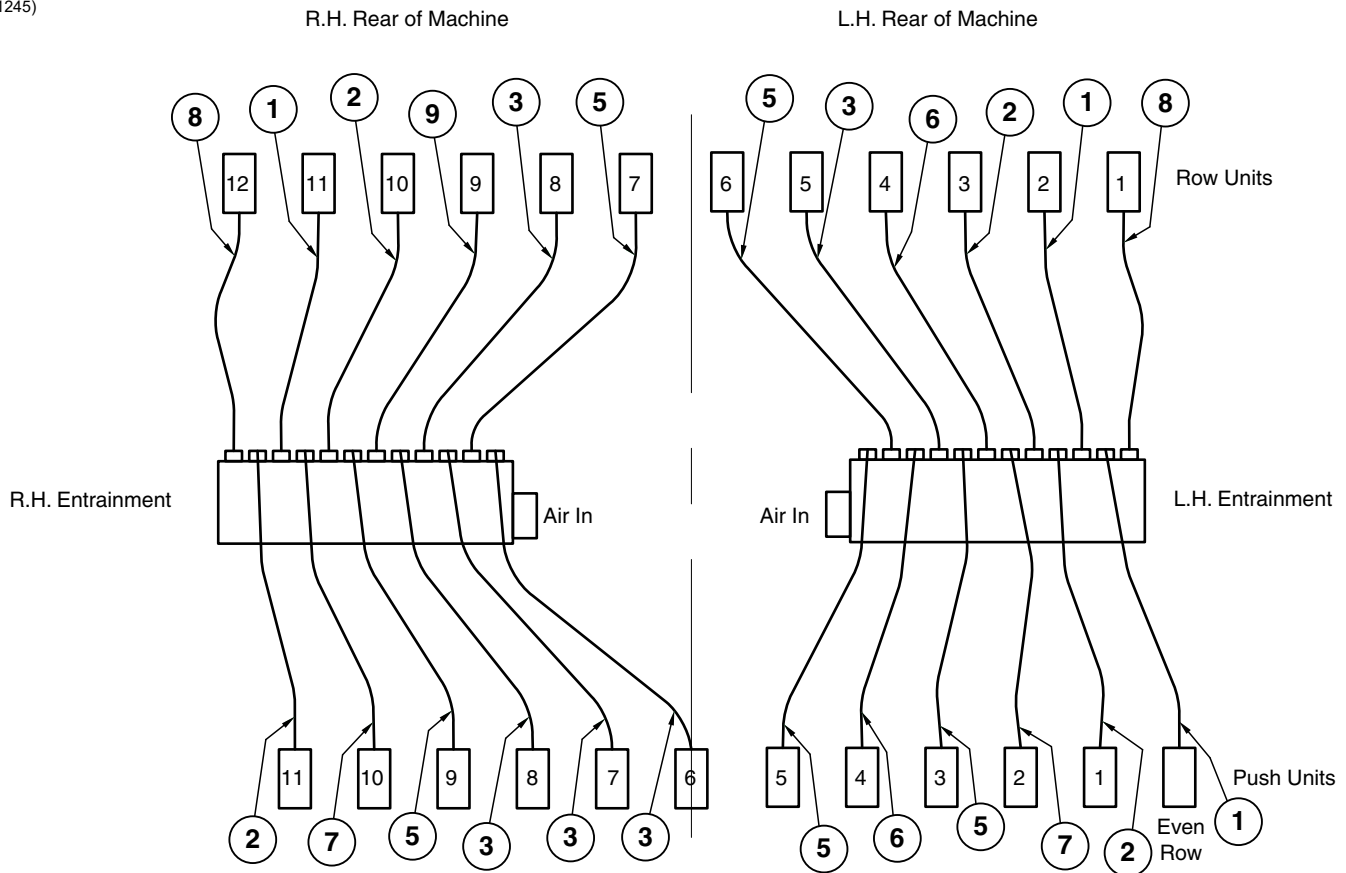
**Bulk Fill Fan Assembly**



ITEM	PART NO.	QTY.	DESCRIPTION
1	GA14574	1	Hydraulic Motor
	GR2000	-	Hydraulic Motor Key
2	G11124	2	Hex Serrated Flange Cap Screw, 3/8"-16 x 1"
3	G6801-12-10	1	Elbow W/O-Ring, 90°, 1 1/16"-12 Male JIC To 7/8"-14 O-Ring
	GR1466	-	O-Ring
	G304-C-10	1	Cap Nut, 7/8"-14
4	G6801-06	1	Elbow W/O-Ring, 90°, 9/16"-18 Male JIC To O-Ring
	GR1045	-	O-Ring
	G304-C-6	1	Cap Nut, 9/16"-18

ITEM	PART NO.	QTY.	DESCRIPTION
5	G6801-12	1	Elbow W/O-Ring, 90°, 1 $\frac{1}{16}$ "-12 Male JIC To O-Ring
	GR1467	-	O-Ring
	G304-C-12	1	Cap Nut, 1 $\frac{1}{16}$ -12
6	GD30882	1	Gasket, 2-Bolt Mount
7	GA25388	1	Overhung Load Adapter
	GD20928	-	Bearing (Included W/GA25388)
8	GD35294	1	Hose Barb, 1 $\frac{1}{8}$ "-27 NPTF x 3 $\frac{3}{8}$ "
9	GD25644	1	Cover Plate
10	G11123	2	Hex Serrated Flange Cap Screw, 3 $\frac{3}{8}$ "-16 x 3 $\frac{3}{4}$ "
11	GD21300	1	Key Stock, 3 $\frac{3}{16}$ " x 3 $\frac{3}{4}$ "
12	GR1961	1	Bushing, 5 $\frac{5}{8}$ "
13	G11518	3	Hex Head Machine Screw, #10-24 x 1"
	G10243	3	Washer, No. 10 SAE
14	GR1968	1	Cover Plate
15	GR1969	1	Backing Plate
	G10988	12	Hex Non-Serrated Flange Cap Screw, 1 $\frac{1}{4}$ "-20 x 3 $\frac{3}{4}$ "
16	GR1966	1	Non-Flanged Inner Case
	GR1979	1	Plastic Plug, 7 $\frac{7}{16}$ "
17	GR2109	1	Impeller
18	GR1965	1	Non-Flanged Outer Case
	GR1978	1	Plastic Plug, 1 $\frac{1}{4}$ "
	GR1979	1	Plastic Plug, 7 $\frac{7}{16}$ "
19	G11409	15	Hex Serrated Flanged Cap Screw, 1 $\frac{1}{4}$ "-20 x 1"
	G10621	15	Serrated Flange Nut, 1 $\frac{1}{4}$ "-20
20	GR1967	1	Screen
21	GR1977	6	Fender Washer, 1 $\frac{1}{4}$ "
22	GD6279-06	1	Clear Plastic Tubing, 3 $\frac{3}{8}$ " O.D. x 72"
	G10681	1	Hose Clamp, No. 6
23	GA12812	-	Hall Effect Adapter
24	GA10799	1	Breather, 1 $\frac{1}{8}$ " Male NPT
25	GA14847	1	Low Pressure Sensor (0-40 IN H <sub>2</sub> O) (Replaces GA14116)
	GD16324-01	-	Clear Plastic Tubing, 1 $\frac{1}{4}$ " x 45"
	GA9964	-	Strain Relief
	G1K248	-	3-Pin Female Connector Kit (Black), Includes: (3) 3-Pin Female Housings, (9) Pin Contacts, (9) Seals
26	GR1736	1	Hose Barb, 1 $\frac{1}{8}$ " Male NPT To Barb
27	GD21278	-	Reducing Tee, 3 $\frac{3}{16}$ " x 1 $\frac{1}{8}$ "
28	---	---	<a href="#">See "Center Pivot" on page P121</a>
29	GA21406	2	Pressure Gauge W/Hose Barb
	GR1777	-	Hose Barb, 3 $\frac{3}{16}$ " x 1 $\frac{1}{8}$ " NPT (Included W/GA21406)
30	GD15804	2	Mount
	G10108	2	Lock Nut, 3 $\frac{3}{8}$ "-16
	G10004	2	Hex Head Cap Screw, 3 $\frac{3}{8}$ "-16 x 1 $\frac{1}{4}$ "
31	G11215	6	Hex Socket Head Cap Screw, No. 6-32 x 3 $\frac{3}{8}$ ", Grade 8
32	GD15849-02	1	Clear Tubing, 5 $\frac{5}{16}$ " O.D. x 3 $\frac{3}{16}$ " I.D. x 120"
33	GA21406	1	Analog Vacuum Gauge W/Hose Barb
	GR1777	-	Hose Barb, 1 $\frac{1}{8}$ " Male NPT To 3 $\frac{3}{16}$ " Barb (Included W/GA21406)
A	GA14572	-	Bulk Fill Fan Assembly (Non-Flanged) (Items 14-21)
B	GR1960	-	Hydraulic Motor Seal Kit

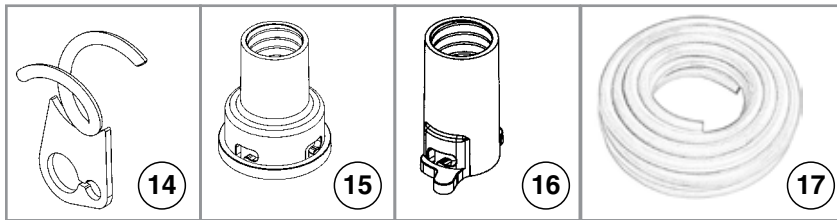
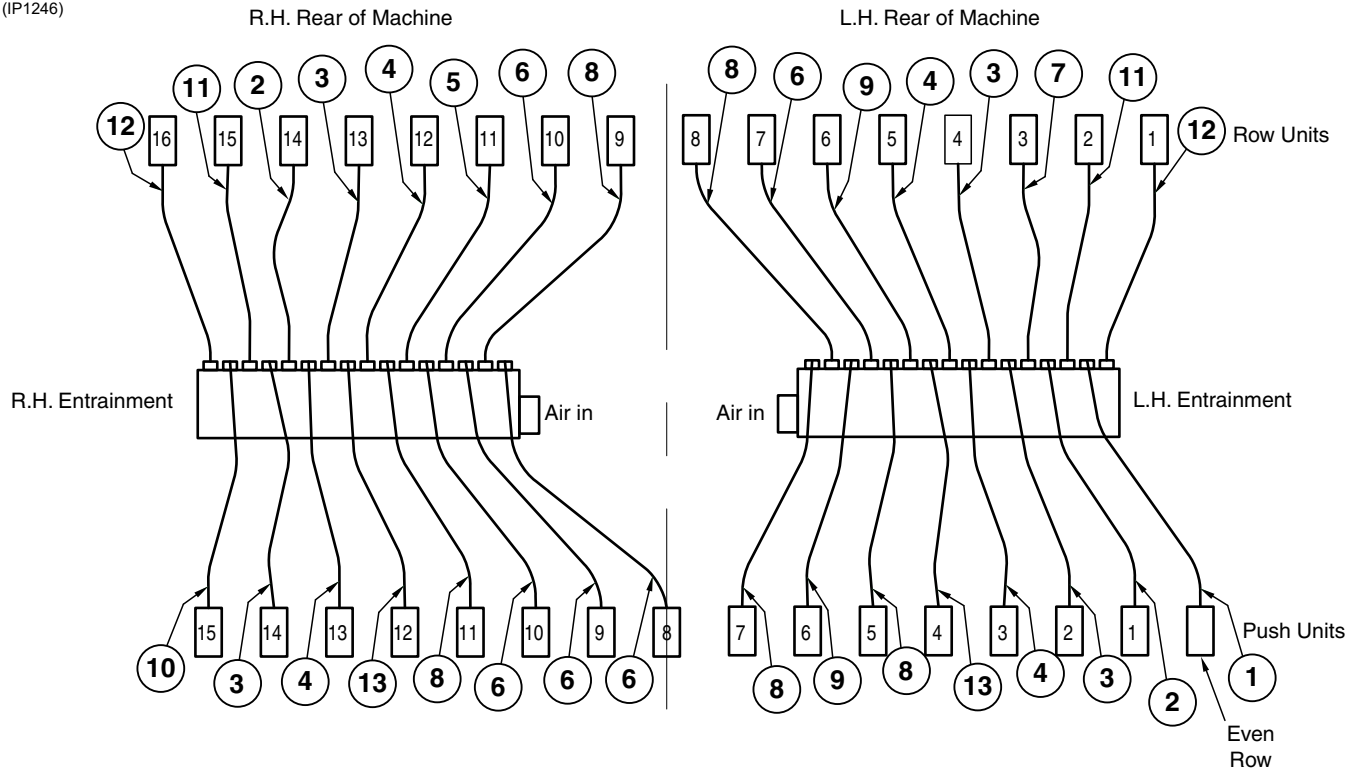
(IP1245)



ITEM	PART NO.	QTY.	DESCRIPTION
1	*A13802	3	Hose Assembly, 1 1/4" x 161"
2	*A13803	4	Hose Assembly, 1 1/4" x 133"
3	*A13805	5	Hose Assembly, 1 1/4" x 71"
4	*A13801	1	Hose Assembly, 1 1/4" x 192"
5	*A13807	5	Hose Assembly, 1 1/4" x 82"
6	*A13808	2	Hose Assembly, 1 1/4" x 93"
7	*A13824	2	Hose Assembly, 1 1/4" x 103"
8	*A13801	2	Hose Assembly, 1 1/4" x 192"
9	*A13804	1	Hose Assembly, 1 1/4" x 101"
10	GA14593	-	Hose Holder (Used on Rows 1 and 12)
11	GB0425	-	Dissipator Quick Coupler
12	GB0429	-	Seed Entrainer Quick Coupler
13	GB0431	-	Bulk Fill Small Cap
	GD19508	-	Small O-Ring

\*Hose not stocked by Kinze repair parts, but is available in bulk (GR1947).

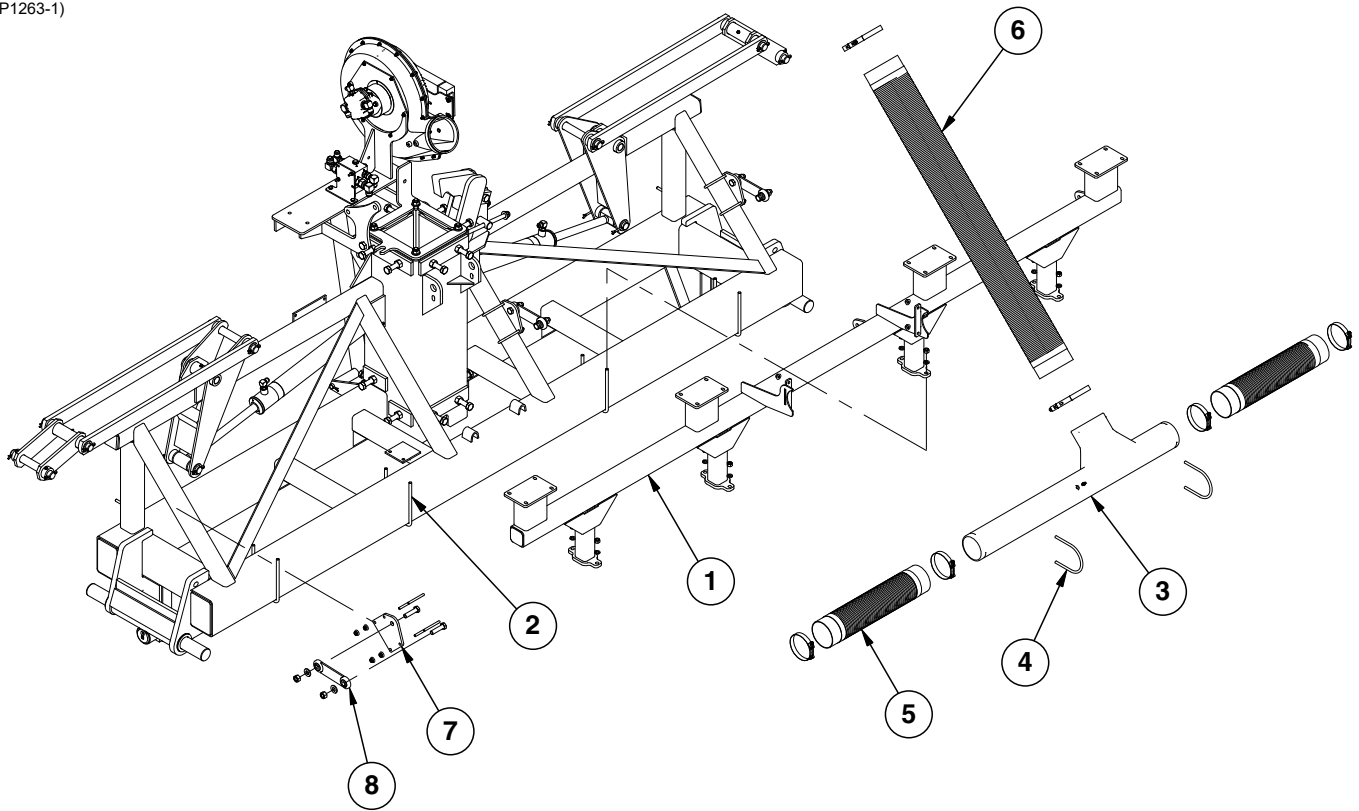
(IP1246)



ITEM	PART NO.	QTY.	DESCRIPTION
1	*A13800	1	Hose Assembly, 1¼" x 218"
2	*A13801	2	Hose Assembly, 1¼" x 192"
3	*A13802	4	Hose Assembly, 1¼" x 161"
4	*A13803	4	Hose Assembly, 1¼" x 133"
5	*A13804	1	Hose Assembly, 1¼" x 101"
6	*A13805	5	Hose Assembly, 1¼" x 71"
7	*A13826	1	Hose Assembly, 1¼" x 176"
8	*A13807	5	Hose Assembly, 1¼" x 82"
9	*A13808	2	Hose Assembly, 1¼" x 93"
10	*A13809	1	Hose Assembly, 1¼" x 205"
11	*A13810	2	Hose Assembly, 1¼" x 225"
12	*A13817	2	Hose Assembly, 1¼" x 246"
13	*A13824	2	Hose Assembly, 1¼" x 103"
14	GA14593	-	Hose Holder (Used on Rows 1, 2, 15, and 16)
15	GB0425	-	Dissipator Quick Coupler
16	GB0429	-	Seed Entrainer Quick Coupler
17	GR1947	-	Bulk Fill Hose, 1" I.D. x 1¼" O.D. x 100'

\*Hose not stocked by Kinze repair parts, but is available in bulk (GR1947).

(IP1263-1)

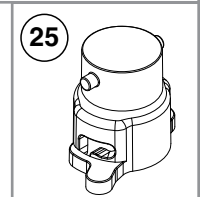
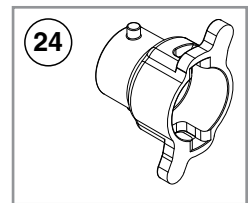
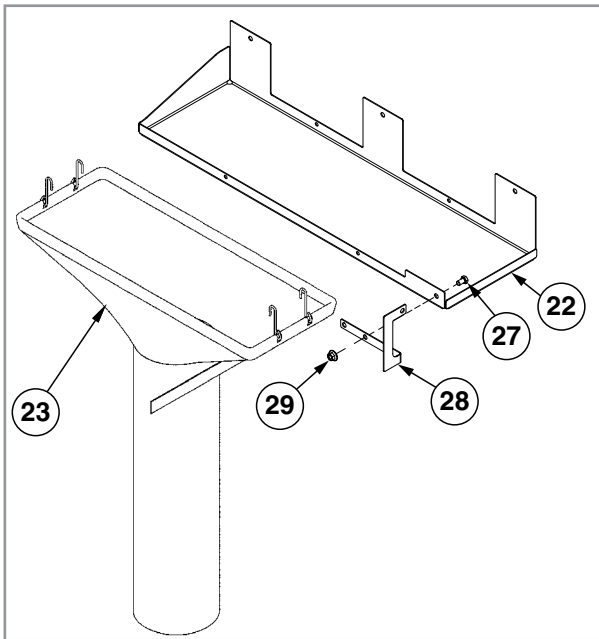
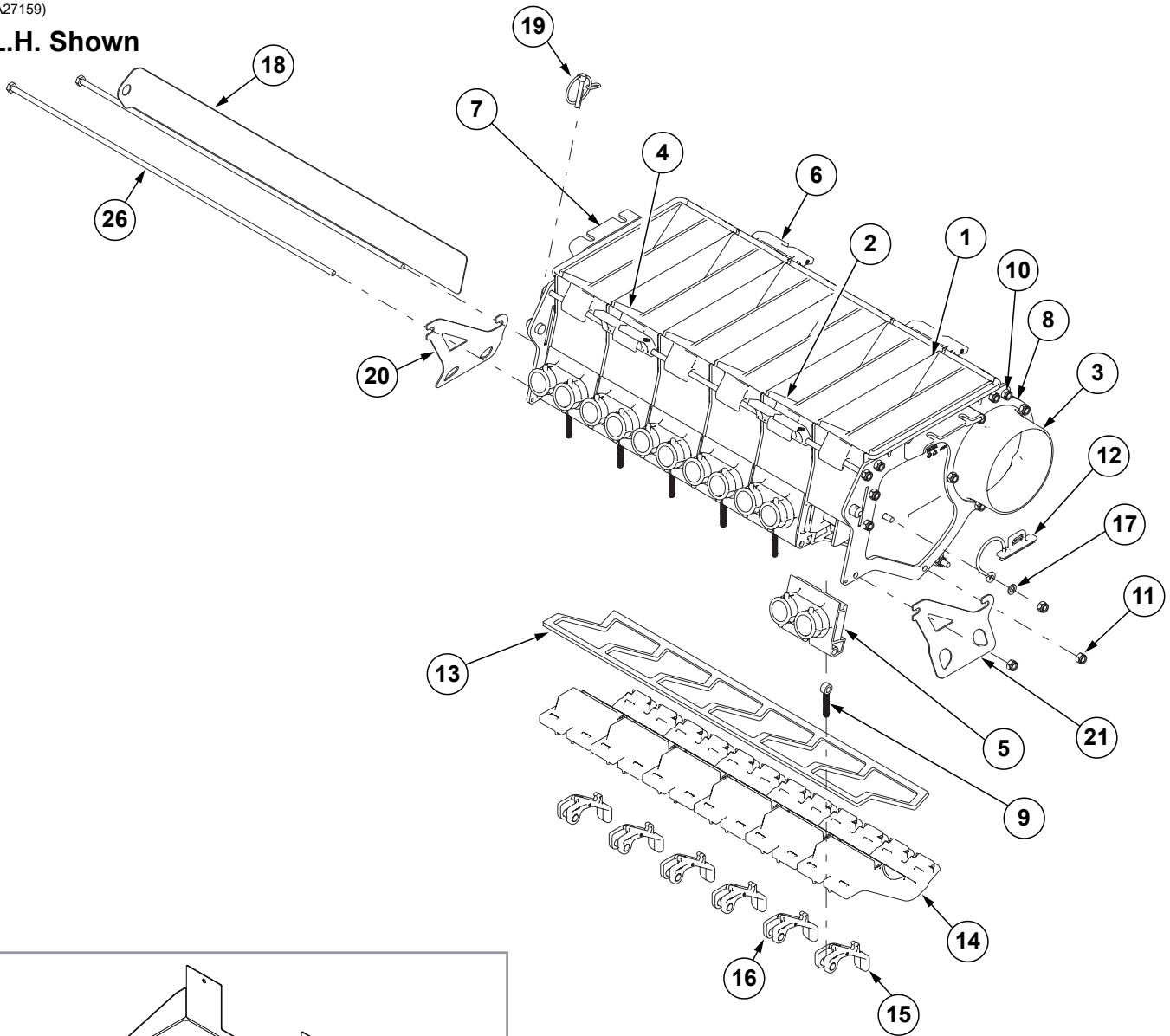




ITEM	PART NO.	QTY.	DESCRIPTION
1	GA14330	1	Front Bulk Fill Mount Support, 12 Row 30" and 16 Row 30"
	GA17088	-	Front Bulk Fill Mount Support, 16 Row 7.5" Twin Row
2	GD8306	4	U-Bolt, 7" x 5" x 1/2"-13
	G10071	8	Serrated Flange Nut, 1/2"-13
3	GB0493	1	Bulk Fill Manifold
	GR1777	1	Hose Barb, 1/8" Male NPT To 3/16" Barb
4	GD19639	2	U-Bolt, 4 1/2" x 3/8"-16
	G11091	4	Serrated Flange Nut, 3/8"-16
5	GD19659-05	2	Black Hose, 4 1/2" I.D. x 22"
	G11360	4	T-Bolt Hose Clamp, 4 1/2"
6	GD19658-02	1	Black Hose, 6" I.D. x 56"
	G11367	2	T-Bolt Clamp 6"
7	GD20401	3	Link Mount
	GD19212	6	U-Bolt, 2 1/2" x 3/8"-16
	G11091	12	Serrated Flange Nut, 3/8"-16
8	GD33962	3	Link
	G10008	6	Hex Head Cap Screw, 5/8"-11 x 2"
	G11391	6	Flat Washer, 5/8" SAE
	G10104	6	Hex Nut, 5/8"-11

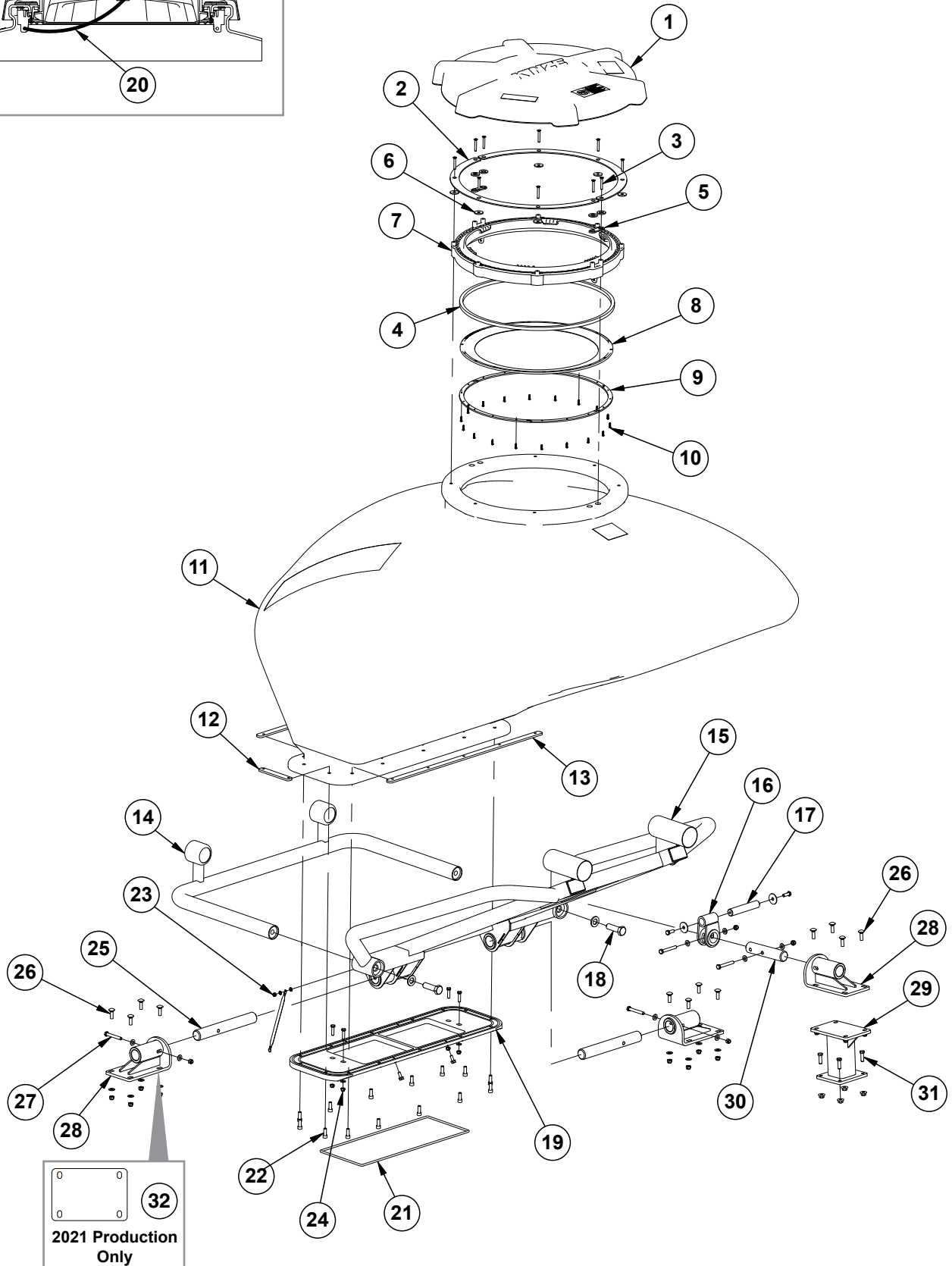
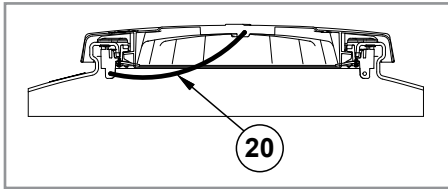
(A27159)

L.H. Shown



ITEM	PART NO.	QTY.	DESCRIPTION
1	GB1195	6	Entrainer Section
2	GB1197	5	Entrainer Interior Wall
3	GB1201	1	Entrainer End Cap, L.H.
4	GB1199	1	Entrainer End Cap, L.H.
5	GB1196	6	Entrainer Outlet Dual, 1"
6	GB1204	4	Entrainer Mount Adapter
7	G10950901	1	Entrainer Retainment Assembly, L.H.
8	G10950801	1	Entrainer Retainment Assembly, R.H.
9	GD19864	6	Eye Bolt, ¼"-20 x 1.83"
10	GD37049	13	Hex Head Cap Screw, ¼"-20 x 21¼", Grade 2, 12 Row
	GD37050	15	Hex Head Cap Screw, ¼"-20 x 28¼", Grade 2, 16 Row
11	G11320	15	Lock Nut, ¼"-20, Grade B
12	GB0444	2	Bulk Fill Shutoff Door Plug
13	G10301201	1	Cleanout Door Gasket, 12 Row
	G10301301	-	Cleanout Door Gasket, 16 Row
14	GA26104	6	Entrainer Door
15	GB1203	6	Entrainer Door Latch
16	GD21080	6	Cam Nut, ¼"-20
17	G11328	2	Washer, ¼"
18	G10495103	1	Entrainer Slide, 12 Row
	G10495102		Entrainer Slide, 16 Row
19	G11339	1	Pin W/Chain
20	G10017201	1	Bulk Fill Chute Hanger
21	G10017301	1	Bulk Fill Chute Hanger
22	G10246301	1	Clean Out Chute Bottom
23	GA14822	1	Cleanout Chute, 12 Row
	GA14823		Cleanout Chute, 16 Row
24	GB0430	-	Bulk Fill Large Cap
25	GB0431	-	Bulk Fill Small Cap (If Applicable)
26	GD19852	3	Hex Head Cap Screw, ¼"-20 x 22"
27	G10328	1	Hex Head Cap Screw, ⅜"-16 x ⅝"
28	G10246001	1	Cleanout Chute Mount
29	G10108	1	Lock Nut, ⅜"-16
A	GA27158 GA27160	-	Bulk Fill Entrainer Assembly, R.H. (Items 1-21), 12 Row Bulk Fill Entrainer Assembly, R.H. (Items 1-21), 16 Row
B	GA27159 GA27163	-	Bulk Fill Entrainer Assembly, L.H. (Shown) (Items 1-21), 12 Row Bulk Fill Entrainer Assembly, L.H. (Items 1-21), 16 Row

(IP1615)

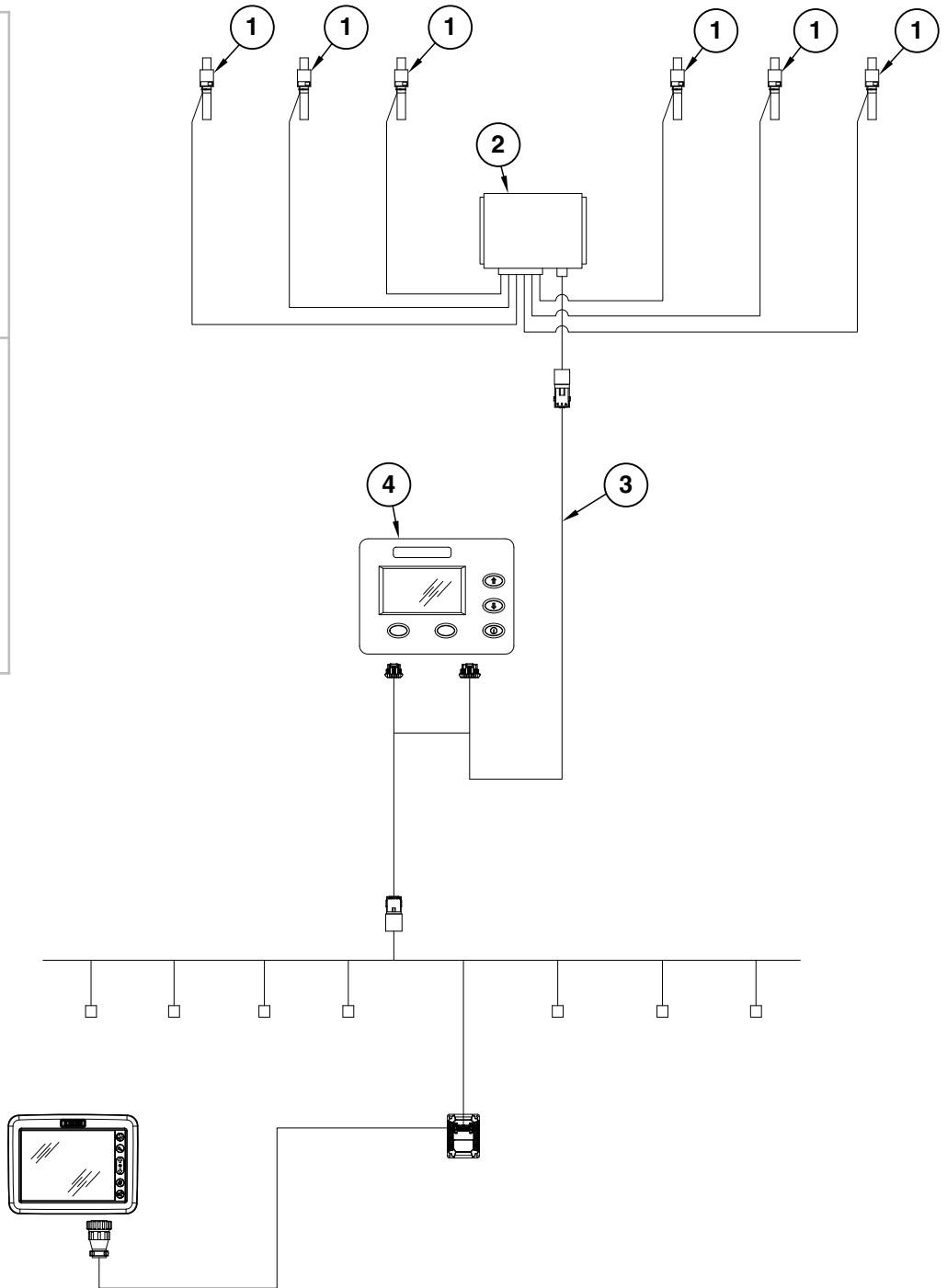
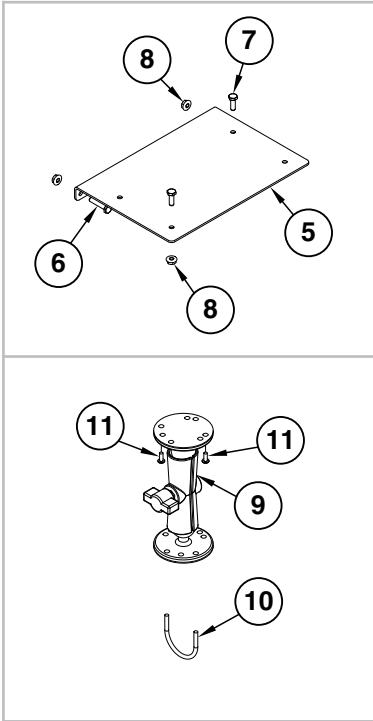


ITEM	PART NO.	QTY.	DESCRIPTION
1	GB0673	1	Bulk Fill Tank Lid
2	GD35844	2	Top Ring Mount Plate
3	G10132501	10	Hex Flange Head Cap Screw, ¼"-20 x 1¾"
	GD24754	4	Foam Seal
4	*GD35274-01	1	Ribbon Sealer, 66½" (Length Used For Tank Lid)
5	GB0905	2	Lid Seal Ring Spacer
6	GD35857	6	Foam Seal Washer
7	GB1206	1	Bulk Fill Tank Lid Latch
8	GB0675	1	Bulk Fill Tank Lid Seal
9	GD24386	6	Bulk Fill Lid Seal Ring Segment
10	G11522	18	Phillip Pan Head Tapping Screw, #8-18 x ⅝"
11	G10126101	1	Bulk Seed Tank, 40 Bushel
12	GD20923	2	Entrainer Mount Tap Block, Short
13	G10057501	2	Entrainer Mount Tap Block
14	GA14856	1	Front Bulk Fill Tank Frame
15	GA14858	1	Rear Bulk Fill Tank Mount
16	GA14040	1	Rear Bulk Fill Tank Mount
17	GD20037	1	Pin, 1" x 5⅜"
	G10201	2	Special Washer, ⅜" x 1½" O.D.
	G10001	2	Hex Head Cap Screw, ⅜"-16 x 1"
18	G10027	2	Hex Head Cap Screw, ¼"-10 x 2½"
	G11392	2	Flat Washer, ¾" SAE
19	GD37001	1	Entrainer Adapter, 12 Row
	GD19690-03	1	Ribbon Sealer, 6½'
	GD19690-04	1	Ribbon Sealer, 7'
	G10961	4	Flanged Whiz Lock Screw, ⅝"-18 x ¾", No Serration
20	GD24879-01	1	Rope Tether, 36"
	G11386	1	Flat Washer, ⅝" SAE
21	G10302501	1	Foam Cord, 58"
22	G11261	14	Hex Socket Head Cap Screw, ⅜"-16 x 1"
23	G11528	1	Hex Nut W/External Tooth Washer, ¼"-20
	G11249	2	External Tooth Washer, ¼"
	GD27607	1	Ground Strap
24	G11182	4	Lock Nut W/Nylon Insert, ⅝"-18
	G11386	4	Flat Washer, ⅝" SAE
	G10171	4	Hex Head Cap Screw, ⅝"-18 x 1¼"
25	GD20035	2	Pin, 1½" x 11¼"
26	G10599	12	Carriage Bolt, ⅜"-16 x 1¼"
	G11387	12	Flat Washer, ⅜" SAE
	G10108	12	Lock Nut, ⅜"-16
27	G10325	4	Hex Head Cap Screw, ⅜"-16 x 2¾"
	G11387	8	Hardened Washer, ⅜" SAE
	G10108	4	Lock Nut, ⅜"-16
28	GA14041	3	Bulk Fill Tank Mount
29	GA14052	1	Rear Tank Mount
30	GD20036	1	Pin, 1½" x 7"
31	G10004	4	Hex Head Cap Screw, ⅜"-16 x 1¼"
	G11091	4	Serrated Flange Nut, ⅜"-16
32	G10328201	6	Spacer
	G10306	24	Carriage Bolt, ⅜"-16 x 2"
	G11387	24	Flat Washer, ⅜" SAE
	G10108	24	Lock Nut, ⅜"-16
A	G10129501	-	Bulk Fill Lid Seal Assembly, (Items 7-10)

\*Available in bulk only (21.75').

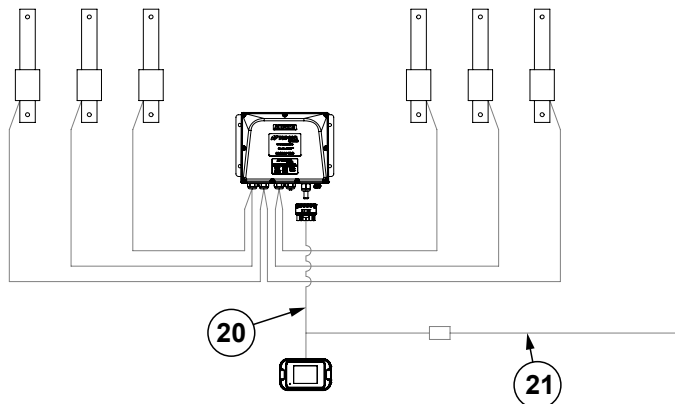
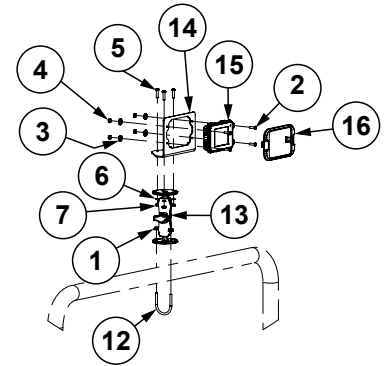
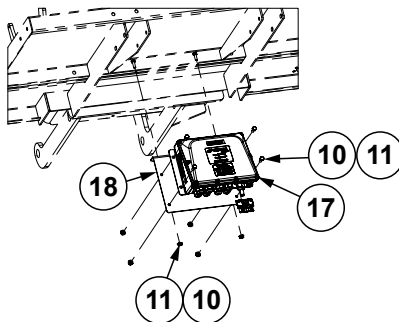
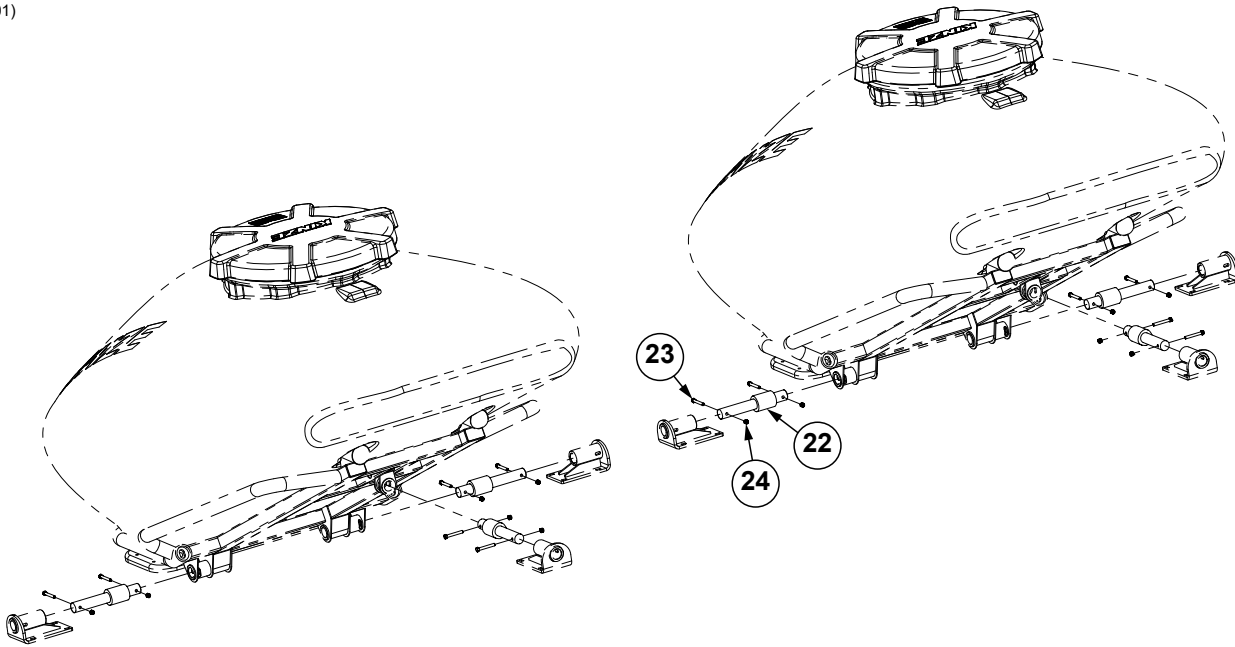
†Item is not stocked by Kinze repair parts, but is available in bulk (GD37047-05).

(IP1192)



ITEM	PART NO.	QTY.	DESCRIPTION
1	GA14135	6	Load Cell
2	A14136	1	Scale Module
3	GA14129	1	Power Cable
4	GA14133	1	Bulk Fill Scale Display
5	G10265001	1	Module Mounting Bracket
6	G10857	2	Hex Head Cap Screw, ¼"-20 x 1¼"
7	G10002	2	Hex Head Cap Screw, ⅜"-16 x ¾"
8	G10621	4	Serrated Flange Nut, ¼"-20
9	GA12403	1	Mounting Bracket Assembly, Includes: (2) Mounting Brackets, (2) Connector Halves, (1) Compression Spring
10	GD20282	1	U-Bolt, #10-32
	G11284	2	Serrated Flange Nut, #10-32
11	G11216	2	Phillips Pan Head Machine Screw, No. 10-32 x ½", Stainless Steel

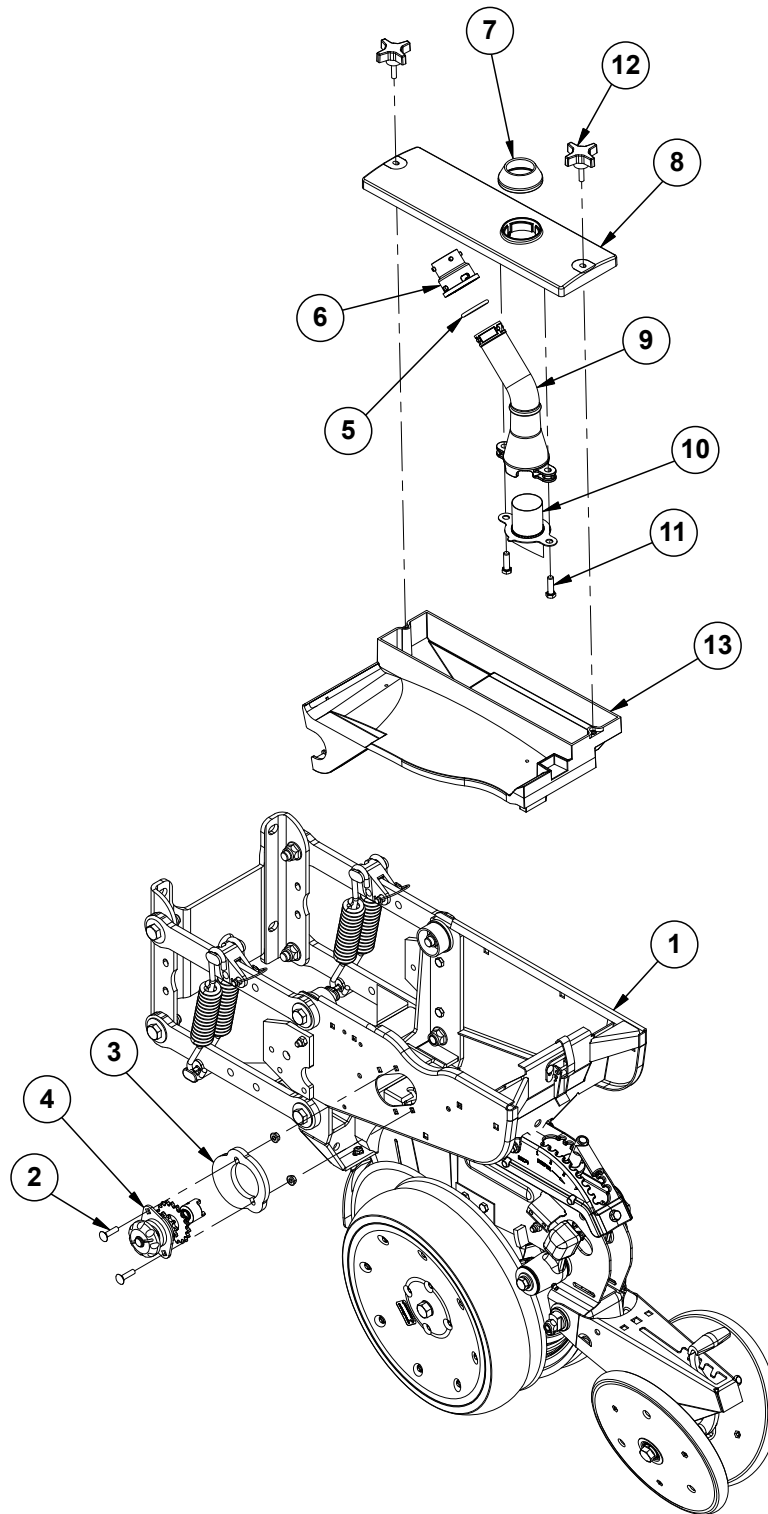
(10288601)





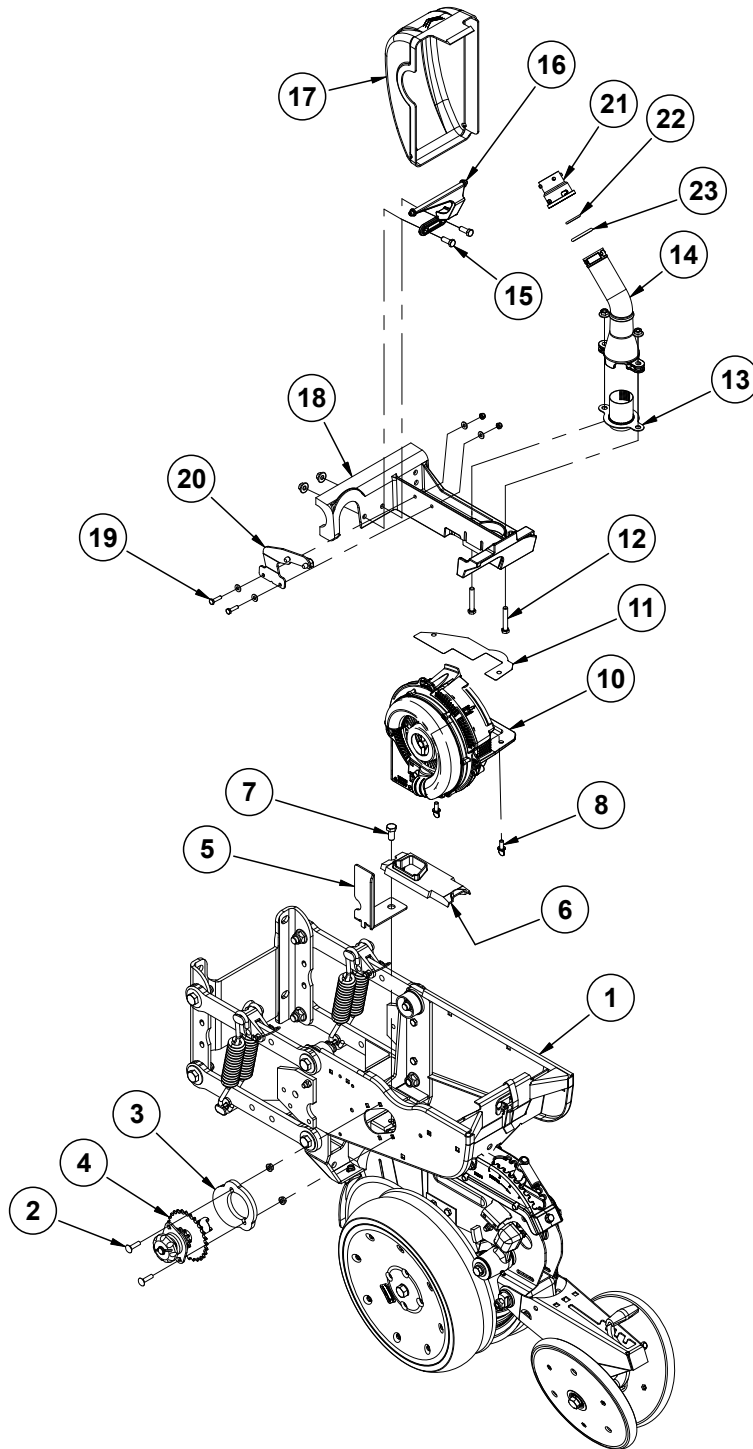
ITEM	PART NO.	QTY.	DESCRIPTION
1	G11284	2	Serrated Flange Nut, No. 8-32
2	G11065	4	Phillips Pan Head Machine Screw, No. 8-32 x 5/8", Stainless Steel
3	G10931	4	Lock Washer, No. 8, Internal/External, Stainless Steel
4	G10251	4	Hex Nut, No. 8-32
5	G11401	3	Phillips Pan Head Machine Screw, No. 10-32 x 3/4", Stainless Steel
6	G10257	3	Lock Washer, No. 10
7	G10758	3	Hex Nut, No. 10-32
8	---	---	---
9	---	---	---
10	G10023	6	Hex Head Cap Screw, 1/4"-20 x 3/4"
11	G10621	6	Serrated Flange Nut, 1/4"-20
12	GD20282	1	U-Bolt, #10-32
13	GA12403	1	Mounting Bracket Assembly, Includes: (2) Mounting Brackets, (2) Connector Halves, (1) Compression Spring
14	G10242601	1	Display Mount Bracket
15	G10488901	1	PHD28 Scale Display
16	G10267101	1	PHD28 Bezel
17	G10002701	1	CAN Scale Module
18	G10265001	1	Scale Module Mount
19	---	---	---
20	G10242801	1	PHD28 Bulk Fill Scale CAN Cable
21	G10266901	1	CAN Stub Harness
22	GA14135	6	Load Cell
23	G10325	12	Hex Head Cap Screw, 3/8"-16 x 2 3/4"
24	G10108	12	Lock Nut, 3/8"-16

(IP1638)



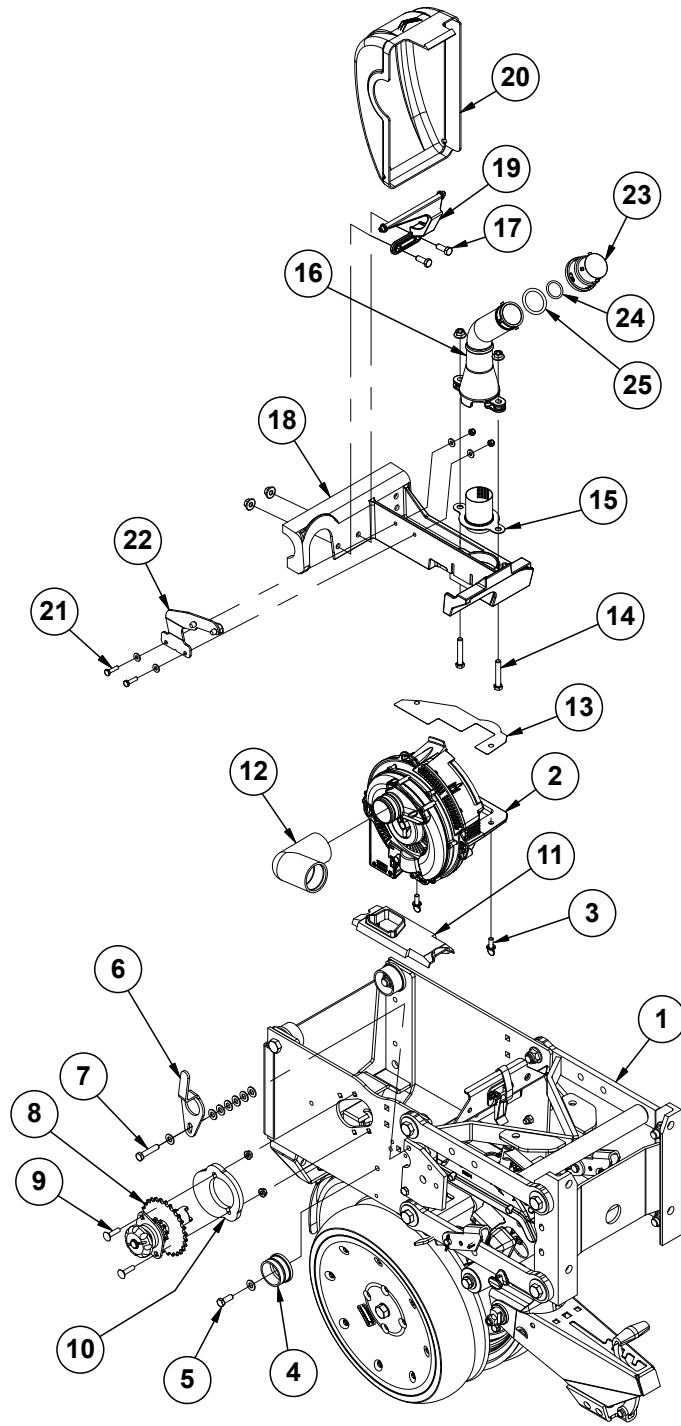
ITEM	PART NO.	QTY. Per Row	DESCRIPTION
1	---	-	<a href="#">See "Shank Assembly, Seed Tube, and Depth Adjustment" on page P3</a> <a href="#">See "Parallel Arms, Mounting Support Plate, and Quick Adjustable Down Forces, Springs Option" on page P7</a> <a href="#">See "Hopper Support and Meter Drive" on page P19</a>
2	G10338	2	Carriage Bolt, 5/16"-18 x 1 1/4"
	G10620	2	Serrated Flange Nut, 5/16"-18
3	G11013001	1	Clutch Adapter Plate
4	GA10151	1	Seed Meter Clutch Assembly, 11/19 Tooth
5	GD19509	1	O-Ring, Large
6	GB0430	1	Bulk Fill Large Cap
7	GB0446	1	Bulk Fill Mechanical Meter Cover Seal
8	GB0445	1	Bulk Fill Mechanical Meter Cover
9	GB0455	1	Bulk Fill Air Pressure Dissipator
10	GB0574	1	Air Dissipator Screen
11	G10004	2	Hex Head Cap Screw, 3/8"-16 x 1 1/4"
12	GD29339	2	4-Prong Knob
13	GA9547	1	Mini-Hopper
	GD12561	-	Threaded Insert, 5/16"-18
A	GA14031	-	Bulk Fill Mechanical Meter Cover Assembly (Items 7-11)

(IP1636)



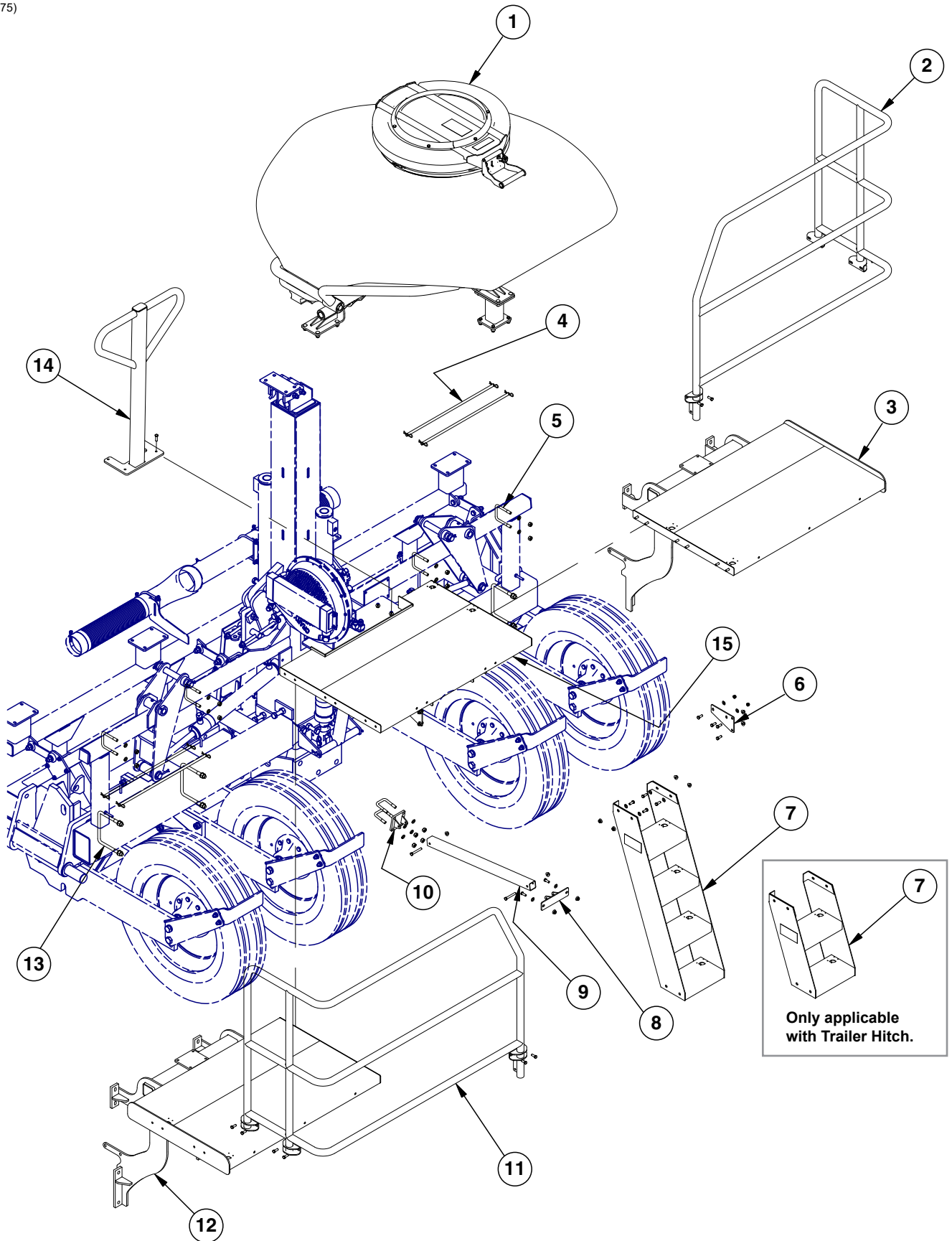
ITEM	PART NO.	QTY.	DESCRIPTION
1	---	1	<a href="#">See "Shank Assembly, Seed Tube, and Depth Adjustment" on page P3</a> <a href="#">See "Parallel Arms, Mounting Support Plate, and Quick Adjustable Down Forces Springs Option" on page P7</a> <a href="#">See "Hopper Support and Meter Drive" on page P19</a>
2	G10338	2	Carriage Bolt, 5/16"-18 x 1 1/4"
	G10620	2	Serrated Flange Nut, 5/16"-18
3	G11013001	1	Clutch Adapter Plate
4	GA20640	1	Meter Drive Assembly, 11/28 Tooth
	G3303-108	-	Chain, No. 41, 108 Pitch Including Connector Link
	G3303-120	-	Chain, No. 41, 120 Pitch Including Connector Link (Center 4 Rows)
	GR0196	-	Connector Link, No. 41
5	GD29798	1	Chain Guard
6	GB0926	1	Shank Cover
7	G10014	1	Hex Head Cap Screw, 1/2"-13 x 1"
	G10071	1	Serrated Flange Nut, 1/2"-13
8	G11009	2	Locking Thumbscrew, 5/16"-18 x 3/4"
9	---	---	---
10	----	1	<a href="#">See "Vacuum Seed Meter" on page P29</a>
11	GD29413	1	Hopper Shim
12	G10939	2	Hex Head Cap Screw, 3/8"-16 x 2 1/4"
	G11091	2	Serrated Flange Nut, 3/8"-16
13	GB0901	1	Air Dissipator Screen
14	GB0455	1	Bulk Fill Air Pressure Dissipator
15	G10001	2	Hex Head Cap Screw, 3/8"-16 x 1"
	G11091	2	Serrated Flange Nut, 3/8"-16
16	GB0717	1	Vacuum Meter Cover Hinge
17	GB0428	1	Meter Cover
18	GA25304	1	Meter Mount W/Inserts
	GD35858	-	Threaded Insert, 5/16"-18 (Included W/GA25304)
19	G10064	2	Hex Head Cap Screw, 1/4"-20 x 1"
	G11385	4	Flat Washer, 1/4" SAE
	G10110	2	Lock Nut, 1/4"-20, Grade B
20	GA21309	1	Meter Support
21	GB0430	1	Bulk Fill Large Cap
22	GD19508	1	Small O-Ring
23	GD19509	1	O-Ring, Large

(IP1637)



ITEM	PART NO.	QTY.	DESCRIPTION
1	---	---	<a href="#">See "Shank and Depth Adjustment (Split Row)" on page P49</a> <a href="#">See "Parallel Arms and Face Plate (Split Row)" on page P45</a>
2	GA21482	1	<a href="#">See "Vacuum Seed Meter" on page P29</a>
3	G11009	2	Locking Thumbscrew, 5/16"-18 x 3/4"
4	GD17052	1	Vacuum Plug
5	G10001	1	Hex Head Cap Screw, 3/8"-16 x 1"
	G11387	8	Hardened Washer, 3/8" SAE
	G10108	1	Lock Nut, 3/8"-16
6	G10180301	1	Vacuum Hose Guide
7	G10047	1	Hex Head Cap Screw, 3/8"-16 x 1 3/4"
8	GA20640	1	Meter Drive Assembly, 11/28 Tooth
	G3303-108	-	Chain, No. 41, 108 Pitch Including Connector Link
	G3303-120	-	Chain, No. 41, 120 Pitch Including Connector Link (Center 4 Rows)
	GR0196	-	Connector Link, No. 41
9	G10338	2	Carriage Bolt, 5/16"-18 x 1 1/4"
	G10620	2	Serrated Flange Nut, 5/16"-18
10	G11013001	1	Clutch Adapter Plate
11	GB0926	1	Shank Cover
12	GB1313	1	90° Elbow, 1 1/2" Hose
13	GD29413	1	Hopper Shim
14	G10939	2	Hex Head Cap Screw, 3/8"-16 x 2 1/4"
	G11091	2	Serrated Flange Nut, 3/8"-16
15	GB0901	1	Air Dissipator Screen
16	GB0455	1	Bulk Fill Air Pressure Dissipator
17	G10001	2	Hex Head Cap Screw, 3/8"-16 x 1"
	G11091	2	Serrated Flange Nut, 3/8"-16
18	GA25304	1	Meter Mount W/Inserts
	GD35858	-	Threaded Insert, 5/16"-18 (Included W/GA25304)
19	GB0717	1	Vacuum Meter Cover Hinge
20	GB0428	1	Vacuum Meter Cover
21	G10064	2	Hex Head Cap Screw, 1/4"-20 x 1"
	G10110	2	Lock Nut, 1/4"-20, Grade B
	G11385	4	Flat Washer, 1/4" SAE
22	GA21309	1	Meter Support
23	GB0430	1	Bulk Fill Large Cap
24	GD19508	1	Small O-Ring
25	GD19509	1	O-Ring, Large

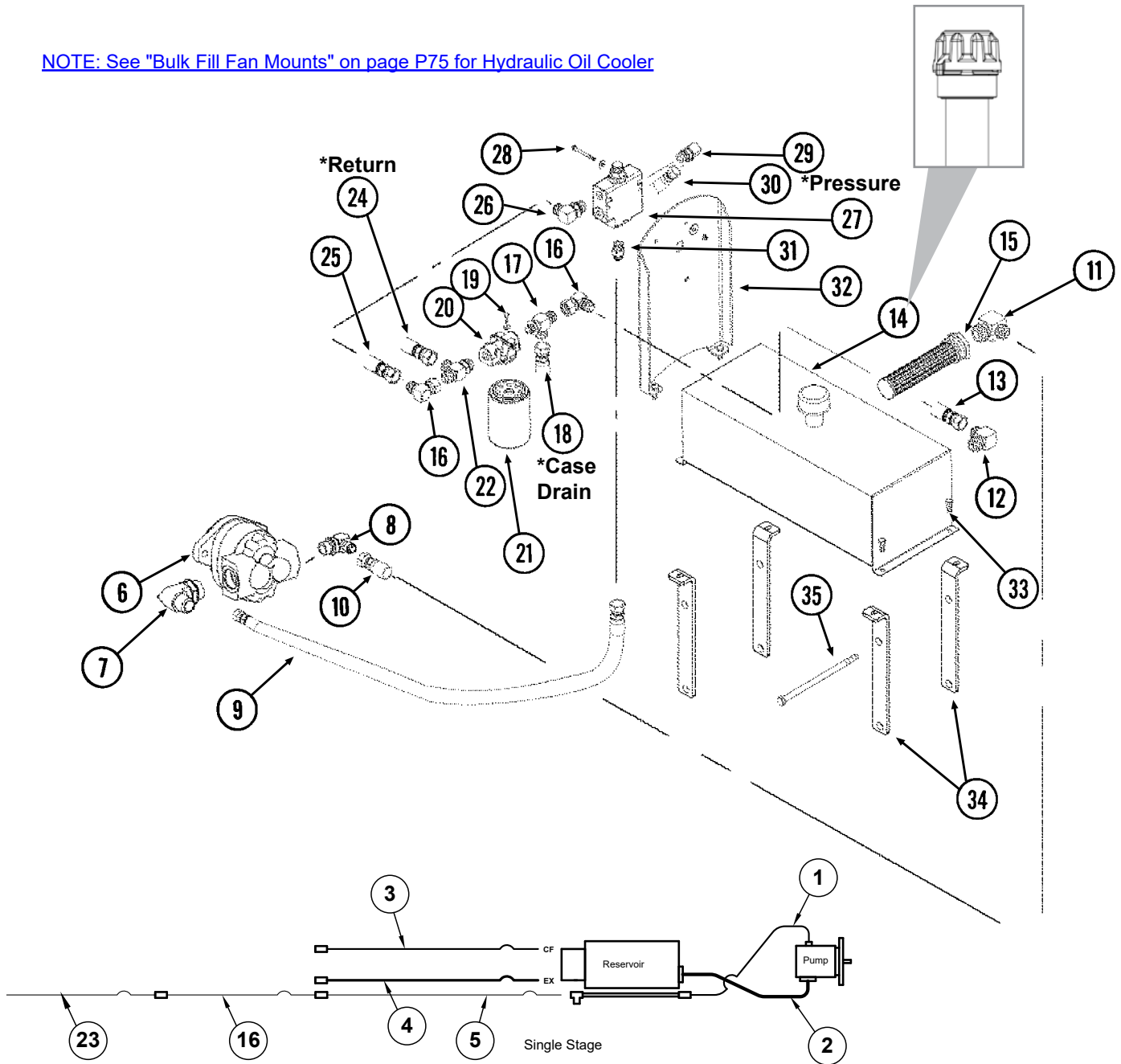
(IP1275)





ITEM	PART NO.	QTY.	DESCRIPTION
1	---	2	<a href="#">See "Bulk Fill Tank Assembly" on page P89</a>
2	GA14372	1	R.H. Rail
	G11091	6	Serrated Flange Nut, 3/8"-16
	G10001	6	Hex Head Cap Screw, 3/8"-16 x 1"
3	GA14370	1	R.H. Catwalk
	G4431-01	1	Edge Molding, 3/8" x 19"
	G11091	6	Serrated Flange Nut, 3/8"-16
	G10001	6	Hex Head Cap Screw, 3/8"-16 x 1"
4	GD20756	4	Seed Tube Hold Down Pin
	G11303	8	Hair Pin Clip, #9, 9/32" x 2 15/16"
5	GD4743	4	U-Bolt, 3" x 3" x 1/2"-13
	G10071	8	Serrated Flange Nut, 1/2"-13
6	GD20599	2	Rail Stiffener
	G11387	10	Flat Washer, 3/8" SAE
	G10108	4	Lock Nut, 3/8"-16
	G11091	4	Serrated Flange Nut, 3/8"-16
	G10001	8	Hex Head Cap Screw, 3/8"-16 x 1"
7	GA17070	1	Wide Ladder
	GA16145	-	Short Ladder (Only Applicable with Trailer Hitch)
	GA17078	-	Narrow Ladder (Only Applicable with Insecticide)
	G11091	4	Serrated Flange Nut, 3/8"-16
	G10049	4	Hex Head Cap Screw, 3/8"-16 x 2 1/2"
8	GA14444	1	Ladder Stiffener Mount
	G10325	2	Hex Head Cap Screw, 3/8"-16 x 2 3/4"
	G11091	4	Serrated Flange Nut, 3/8"-16
	G10001	2	Hex Head Cap Screw, 3/8"-16 x 1"
9	GD20589	1	Ladder Stiffener Tube
10	GD2721	2	U-Bolt, 2" x 2" x 1/2"-13
	G10228	4	Lock Washer, 1/2"
	G10102	4	Hex Nut, 1/2"-13
	GA14445	1	Strut Stiffener Mount
11	GA14373	1	L.H. Rail
	G11091	6	Serrated Flange Nut, 3/8"-16
	G10001	6	Hex Head Cap Screw, 3/8"-16 x 1"
12	GA14371	1	L.H. Catwalk
	G11091	6	Serrated Flange Nut, 3/8"-16
	G10001	6	Hex Head Cap Screw, 3/8"-16 x 1"
13	GD1113	4	U-Bolt, 5" x 7" x 5/8"-11
	G10230	8	Lock Washer, 5/8"
	G10104	8	Hex Nut, 5/8"-11
14	GA14589	1	Front Handrail
	G10004	2	Hex Head Cap Screw, 3/8"-16 x 1 1/4"
	G11091	2	Serrated Flange Nut, 3/8"-16
15	GA17080	1	Center Catwalk

[NOTE: See "Bulk Fill Fan Mounts" on page P75 for Hydraulic Oil Cooler](#)

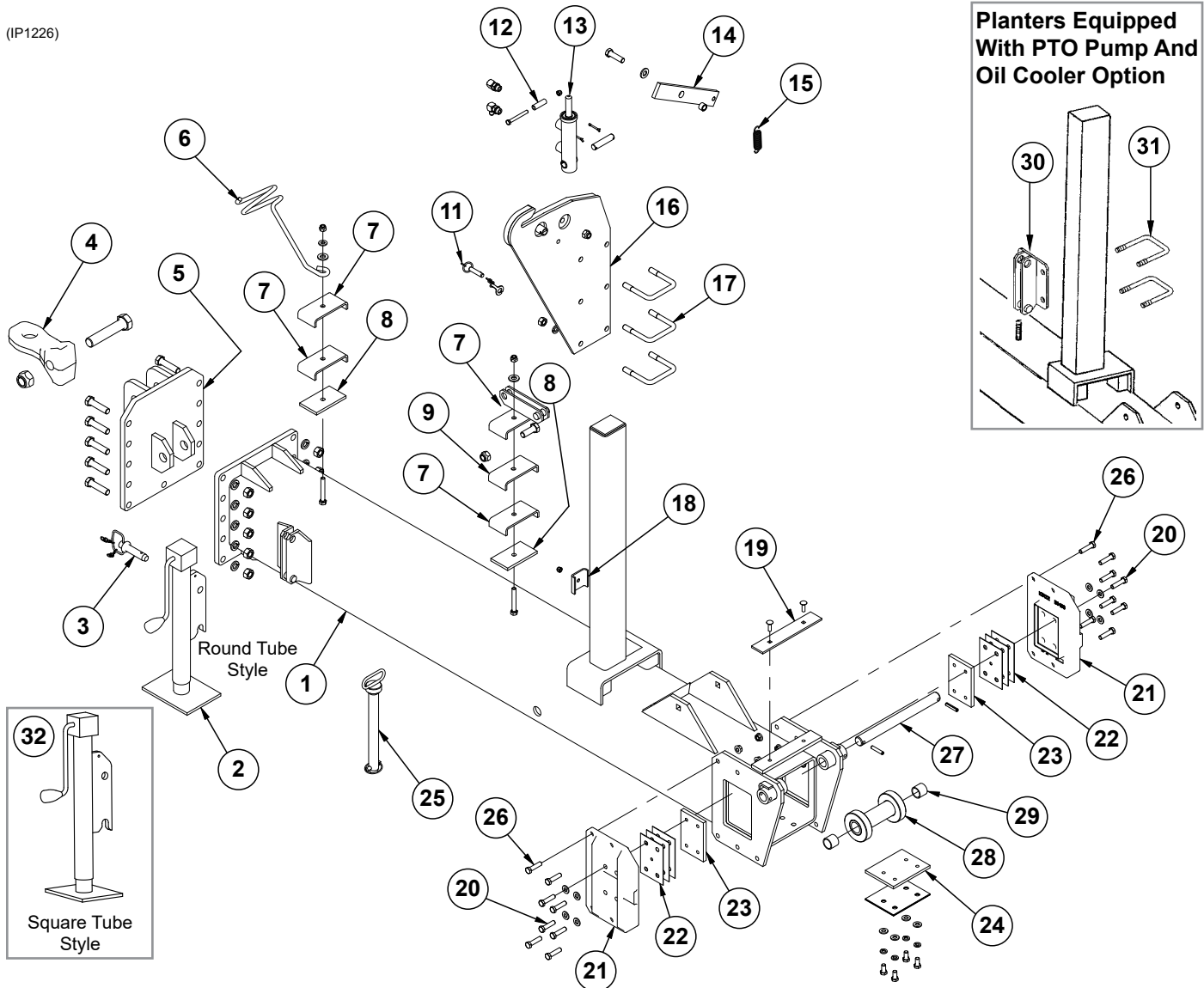


ITEM	PART NO.	QTY.	DESCRIPTION
1	*A18699-66	1	Hose Assembly, 1/2" x 66" (10F45 - 12F)
2	*A11810-64	1	Hose Assembly, 1 1/4" x 64" (20F - 20F)
3	*A25706-82	1	Hose Assembly, 1/2" x 82" (10F-10F90S), 12 Row
	*A25706-142	1	Hose Assembly, 1/2" x 142" (10F - 10F90S), 16 Row
4	*A21554-84	1	Hose Assembly, 5/8" x 84" (10F90S-12F), 12 Row
	*A21554-144	1	Hose Assembly, 5/8" x 144" (10F90S - 12F), 16 Row
5	*A15092-86	1	Hose Assembly, 3/8" x 86" (06F - 08F), 12 Row
	*A15092-146	1	Hose Assembly, 3/8" x 146" (06F - 08F), 16 Row
6	G10225X	-	PTO Pump Replacement Package (Includes Pump and Instruction Sheet)
	GR2025	-	

ITEM	PART NO.	QTY.	DESCRIPTION
7	G6801-10-12 GR1467	1 -	Elbow W/O-Ring, 90°, 7/8"-14 Male JIC To 1 1/16"-12 O-Ring O-Ring
8	G6801-16-20 GR1786	- -	Elbow W/O-Ring, 90°, 1 5/16"-12 Female JIC To O-Ring O-Ring
9	*A1464	1	Hose Assembly, 1/2" x 72"
10	*A6201	1	Hose Assembly, 1" x 72"
11	G2501-16-20	1	Elbow, 90°, 1 5/16"-12 Male JIC To 1 1/4" NPT
12	G2501-12-16	1	Elbow, 90°, 1 1/16"-12 Male JIC To 1" NPT
13	*A3371	1	Hose Assembly, 3/4" x 25"
14	GA27105 GR1834	1 -	Reservoir W/Breather, 10 Gallon Raised Filler Breather (Included W/GA27105)
15	GD16040	1	Strainer
16	*A12096	1	Hose Assembly, 3/8" x 140" (06F-08F)
17	G6804-12-12 GR1467	1 -	Adjustable Tee W/O-Ring, 1 1/16"-12 Male JIC To 1 1/16"-12 Male O-Ring To 3/4"-16 O-Ring
18	*A1105 *A7607	- -	Hose Assembly, 1/4" x 125", 12 Row 30" Hose Assembly, 1/4" x 187", 16 Row 30"
19	G10023 G10227	2 2	Hex Head Cap Screw, 1/4"-20 x 3/4" Lock Washer, 1/4"
20	GD16038	1	Filter Head
21	GD16037	1	Oil Filter, 10 Micron
22	G6804-12 GR1467	1 -	Adjustable Tee W/O-Ring, 1 1/16"-12 Male JIC To O-Ring O-Ring
23	*A12094	1	Hose Assembly, 3/8" x 73" (06F-06F)
24	*A12929 *A12928	- -	Hose Assembly, 3/4" x 127", 12 Row 30" Hose Assembly, 3/4" x 187", 16 Row 30"
25	*A21533-36	1	Hose Assembly, 3/4" x 36" (12F-12F)
26	G6801-12-10 GR1466	1 -	Elbow W/O-Ring, 90°, 1 1/16"-12 Male JIC To 7/8"-14 O-Ring O-Ring
27	GA10918	1	Flow Control Valve
28	G10403 G11385 G10110	2 4 2	Hex Head Cap Screw, 1/4"-20 x 2 1/2" Flat Washer, 1/4" SAE Lock Nut, 1/4"-20, Grade 8
29	G6801-10 GR1466	1 -	Elbow W/O-Ring, 90°, 7/8"-14 Male JIC To O-Ring O-Ring
30	*A12758 *A12757	- -	Hose Assembly, 1/2" x 135", 12 Row 30" Hose Assembly, 1/2" x 195", 16 Row 30"
31	G6400-10 GR1466	1 -	Connector W/O-Ring, 7/8"-14 Male JIC To O-Ring O-Ring
32	G10048201	1	Mounting Bracket
33	G10001 G11387 G10108	2 4 4	Hex Head Cap Screw, 3/8"-16 x 1" Flat Washer, 3/8" SAE Lock Nut, 3/8"-16
34	GD16644	4	Bracket, 14 1/2"
35	G11158 G10228 G10102	4 4 4	Hex Head Cap Screw, 1/2"-13 x 1 1/2" Lock Washer, 1/2" Hex Nut, 1/2"-13

\* Hydraulic hose is not stocked by Kinze Repair Parts.

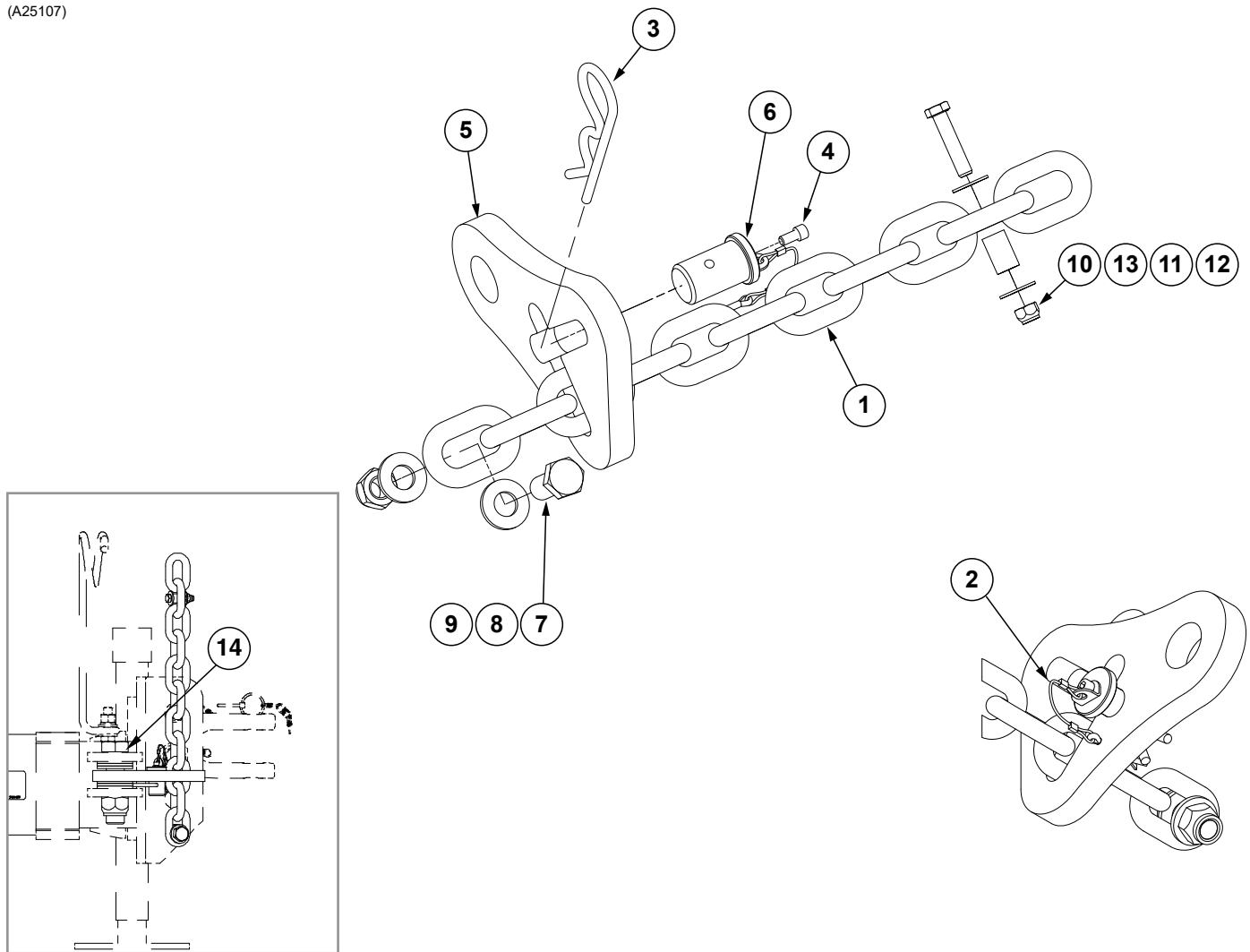
(IP1226)



ITEM	PART NO.	QTY.	DESCRIPTION
1	A14310	1	Outer Hitch, "Y", 97½" 12 Row 30" <b>(Non-Stock Item)</b>
	A7088	-	Outer Hitch, "Y", 127½", 16 Row 30" <b>(Non-Stock Item)</b>
	A12529	-	Outer Hitch, "Y", 127½", 16 Row 7.5" Twin Row <b>(Non-Stock Item)</b>
2	GA13986	1	Jack Assembly Complete
	GR2152	1	Crank Repair Kit (Included W/GA13986)
	GR2153	1	Bevel Gear Set, Includes: (2) Bevel Gears, (1) Gear Pin, (1) Groove Pin (Included W/GA13986)
3	GA4995	1	Detent Pin Assembly
4	GB0292	1	Hitch Clevis, Single (2" Hole)
	G10694601	1	Articulating Hitch, Cat 4
	G10169	1	Hex Head Cap Screw, 1¼"-7 x 6"
	G10157	1	Lock Nut, 1¼"-7
5	GA9837	1	Hitch Mount, 12 Row 30" and 16 Row 30"
	GA12577	-	Hitch Mount, 16 Row 7.5" Twin Row
	G10028	11	Hex Head Cap Screw, ¾"-10 x 3"
	G11392	11	Flat Washer, ¾" SAE
	G10105	11	Hex Nut, ¾"-10
6	GD8260	1	Hose Holder
	G11391	1	Flat Washer, ⅝", SAE
	G11389	1	Flat Washer, ½", SAE
	G10111	1	Lock Nut, ½"-13

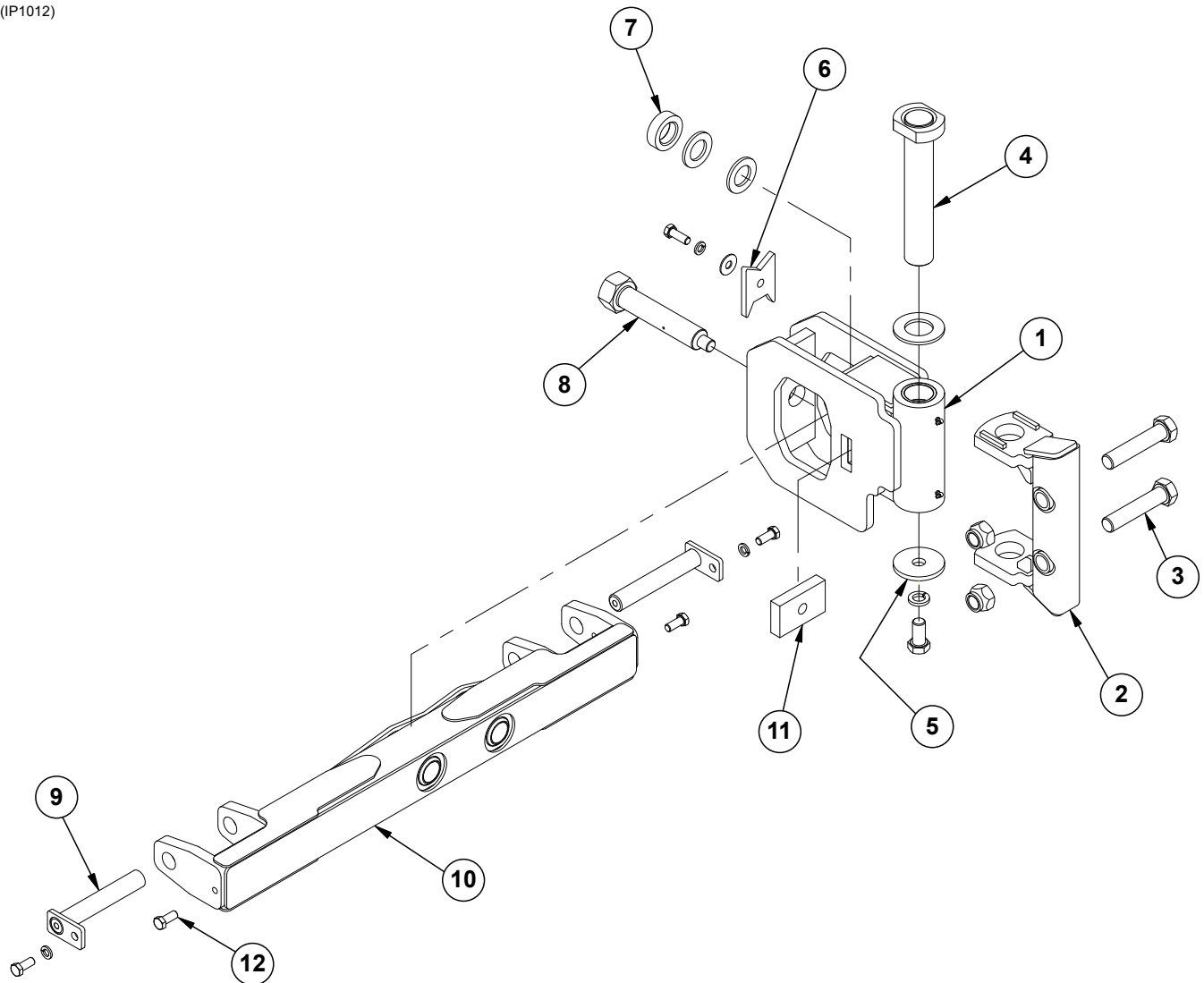
ITEM	PART NO.	QTY.	DESCRIPTION
7	GD8188	3	Hose Clamp, 7/8" x 3" x 5 3/8"
8	GD8189	2	Rubber Strip, 3/8"
9	GA5842	1	Bracket, Jack Mount
	G10026	1	Hex Head Cap Screw, 3/4"-10 x 2"
	G10112	1	Lock Nut, 3/4"-10
10	GD14121	1	Hose Clamp, 7/8" x 3 1/2"
	G10111	1	Lock Nut, 1/2"-13
11	GA7022	1	Detent Pin W/Chain (Transport Latch Locking Pin)
12	GD2971-09	1	Sleeve, 2" Long
	G10809	1	Hex Head Cap Screw, 3/8"-16 x 3/4"
	G10108	1	Lock Nut, 3/8"-16
13	GA9559	1	<a href="#">See "Transport Latch Cylinder" on page P173</a>
	G6801-06-08	2	Elbow W/O-Ring, 90°, 9/16"-18 Male JIC To 3/4"-16 O-Ring
	GD7137	1	Pin, 3/4" x 3 3/8"
	G10457	2	Cotter Pin, 5/32" x 1 1/2"
14	GA7016	1	Catch Bar
	GB0218	1	Bushing, 2 1/32" I.D. x 7/8" O.D. x 1 9/32" Long
	G10006	1	Hex Head Cap Screw, 5/8"-11 x 2 1/4"
	G10107	1	Lock Nut, 5/8"-11
	G11391	1	Flat Washer, 5/8", SAE
15	GD5857	1	Spring
16	GA7433	1	Transport Catch
	G10765	1	Spring Pin, 1/4" x 1"
17	GD32368	3	U-Bolt, 3" x 4" x 5/8"-11
	G10230	6	Lock Washer, 5/8"
	G10104	6	Hex Nut, 5/8"-11
18	GD5875	1	Hose Clamp, 9/16" x 2 1/2" x 2"
	G10108	1	Lock Nut, 3/8"-16
19	GD20728	1	Spacer Bar
	G10599	2	Carriage Bolt, 3/8"-16 x 1 1/4"
	G10108	2	Lock Nut, 3/8"-16
20	G10016	4	Hex Head Cap Screw, 1/2"-13 x 2"
	G11389	4	Flat Washer, 1/2", SAE
21	GB0458	1	Wear Pad Retainer, L.H. and R.H.
22	GD3501	3	Shim, 4" x 6"
23	GD9960	1	Wear Pad, Nylatron, 4" x 6" (As Required)
24	GD7518	1	Shim, 3/8"
	GD7519	3	Shim, 16 Gauge (.0598")
	G10014	4	Hex Head Cap Screw, 1/2"-13 x 1"
	G10228	4	Lock Washer, 1/2"
	G11389	4	Flat Washer, 1/2" Plated SAE
25	GA13768	1	Safety Pin, 12 3/4"
26	G10016	8	Hex Head Cap Screw, 1/2"-13 x 2"
	G10071	8	Serrated Flange Nut, 1/2"-13
27	GD7251	1	Pin, 1 1/4" x 14"
	G10610	2	Spring Pin, 3/8" x 2"
28	GA4842	1	Roller W/Bushings
29	GD6556	2	Bronze Bushing
30	GA11528	1	Bracket
31	GD16642	2	U-Bolt, 3" x 4" x 1/2"-13
	G10071	4	Serrated Flange Nut, 1/2"-13
32	G11044501	-	Jack Assembly Complete (Square Tube Style)
	G11044201	-	Side Wide Handle, 8.5" (Included W/G11044501)
	G11043301	-	Gear Set (Included W/G11044501)
	G11044001	-	5/8" Pin Kit W/Chain (Included W/G11044501)
	G11044401	-	Bearing (Included W/G11044501)
A	GA14943	-	Wear Pad Retainer Assembly, (Items 20-23)
B	GA4842	-	Roller Assembly, (Items 28 and 29)

(A25107)

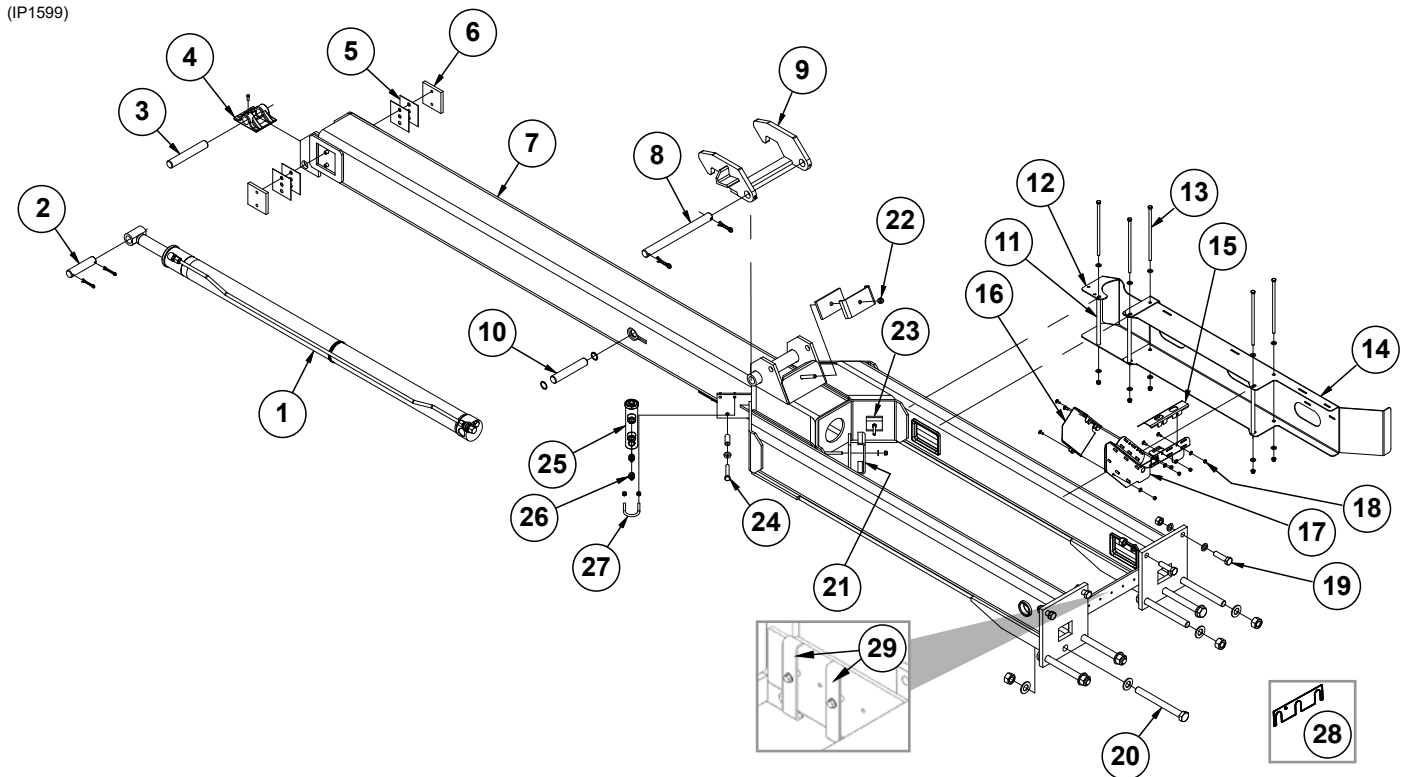


ITEM	PART NO.	QTY.	DESCRIPTION
1	G3324-01	1	Safety Chain, 13MM Grade 70, 97½"
2	GD35339	1	Looped Tether W/Tabs and Cotter Pin
3	G10671	1	Hairpin Cotter, ⅜" x 3¼"
4	G11874	1	Hex Socket Head Cap Screw, ¼"-20 x ½"
5	GD35127	1	Single Chain Latch
6	GD35340	1	Chain Latch Pin
7	G10007	1	Hex Head Cap Screw, ⅝"-11 x 1½"
8	G11391	2	Flat Washer, ⅝" SAE
9	G10107	1	Lock Nut, ⅝"-11
10	G10108	1	Lock Nut, ⅝"-16
11	GD8893-07	1	Sleeve, 1" Long
12	G10047	1	Hex Head Cap Screw, ⅝"-16 x 1¾"
13	G10210	2	Washer, ⅝" USS
14	G11290	1	Hex Head Cap Screw, 1¼"-7 x 5"
	G10157	1	Lock Nut, 1¼"-7
	G11396	6	Flat Washer, 1¼" SAE
A	G9978X	-	⅝" Transport Safety Chain Package (Items 1-13)

(IP1012)



ITEM	PART NO.	QTY.	DESCRIPTION
1	GA13665	1	Hitch Pivot
2	GA13783	1	Pivot Mount
3	G10169	2	Hex Head Cap Screw, 1 1/4"-7 x 6"
	G10157	2	Lock Nut, 1 1/4"-7
4	GA12163	1	Pin, 13 3/8"
	GD15725	1	Washer, 4" O.D. x 2 1/4" I.D. x 1/4"
5	GD17245	1	Washer, 4" O.D. x 1 1/32" I.D. x 3/8"
	G11223	1	Hex Head Cap Screw, 1"-8 x 2"
	G10118	1	Lock Washer, 1"
6	GD15100	1	Pivot Lock
	G11391	1	Flat Washer, 5/8" SAE
	G10005	1	Hex Head Cap Screw, 7/8"-11 x 1 3/4"
7	GD16226	1	Sleeve, 3" O.D. x 1 25/32" x 29/32" Thick
	GD16303	2	Washer, 3" O.D. x 1 25/32" x 1/4" Thick
8	GA13673	1	Pivot Pin
9	GA11079	2	Hammer Strap, Category 3 And 3N
	G10007	2	Hex Head Cap Screw, 5/8"-11 x 1 1/2"
	G10230	2	Lock Washer, 5/8"
10	GA12164	1	Hitch Bar
11	GD19468	1	Tapped Bar
12	G10034	2	Hex Head Cap Screw, 3/8"-16 x 1 1/2"

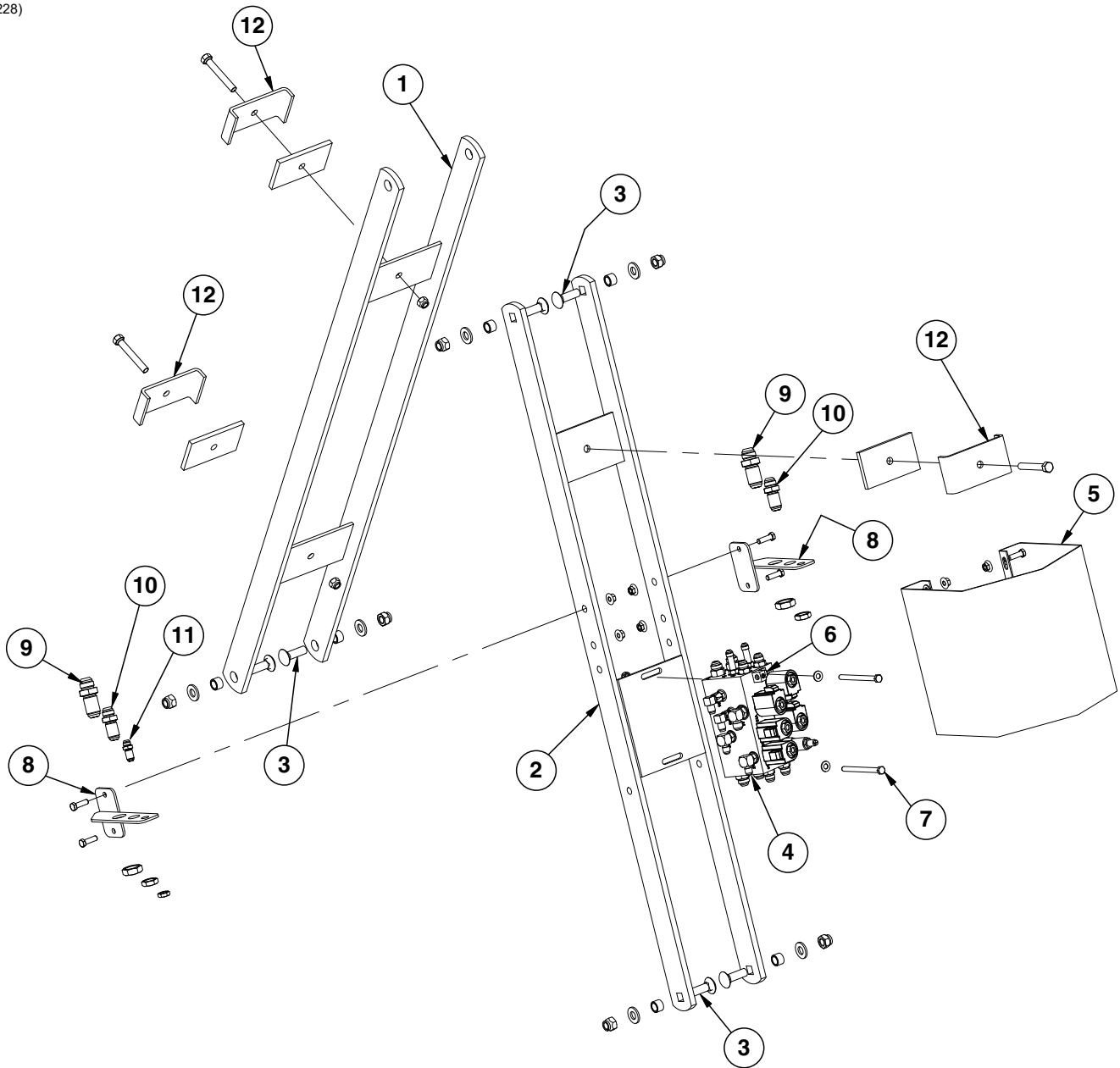


ITEM	PART NO.	QTY.	DESCRIPTION
1	GA13938 GA13954	1 -	<a href="#">See "Tongue Cylinder" on page P175</a> (12 Row) <a href="#">See "Tongue Cylinder" on page P175</a> (16 Row)
2	GD0826 G10460	1 4	Pin, 1 1/4" x 5 1/2" Cotter Pin, 1/4" x 2"
3	GD3537-11 GD3537-12	1	Shaft, 1 1/4" x 7", 12 Row 30" Shaft, 1 1/4" x 8", 16 Row 30"
4	GB0246 G10131	1 1	Hitch Shoe Square Head Set Screw, 5/16"-18 x 3/4"
5	GD5154	4	Shim, 4" x 4"
6	GD9959 G10014 G10017 G11389	2 4 4 4	Wear Pad, Nylatron, 4" x 4" Hex Head Cap Screw, 1/2"-13 x 1", 12 Row 30" Hex Head Cap Screw, 1/2"-13 x 1 1/2", 16 Row 30" Flat Washer, 1/2" SAE
7	A14309 A14307 A17087	1 - -	Inner Hitch, 175 3/8", 12 Row 30" (Shown) <b>(Non-Stock Item)</b> Inner Hitch, 205 3/8", 16 Row 30" <b>(Non-Stock Item)</b> Inner Hitch, 205 3/8", 16 Row 7.5" Twin Row <b>(Non-Stock Item)</b>
8	GD5804 GD7883 G10468	1 1 2	Pin, 1 1/4" x 12", 12 Row Pin, 1 1/4" x 14 1/2", 16 Row Cotter Pin, 3/8" x 2"
9	GA7424 G10641	1 -	Tongue Hook W/Grease Fittings Grease Fitting, 1/8" NPT Grease Fitting, 1/8" NPT (Included W/GA7424)
10	GD3537-20 G11230	1	Shaft, 1 1/4" x 7 1/8" Retaining Ring
11	G10091301	3	Sleeve, 9/16" O.D. x .433 I.D. x 8.688"
12	G10091001	1	Debris Shield
13	G10595 G11387 G10108	4 10 4	Hex Head Cap Screw, 3/8"-16 x 10", Grade 5 Flat Washer, 3/8" SAE Lock Nut, 3/8"-16
14	G10090901	1	Harness Channel



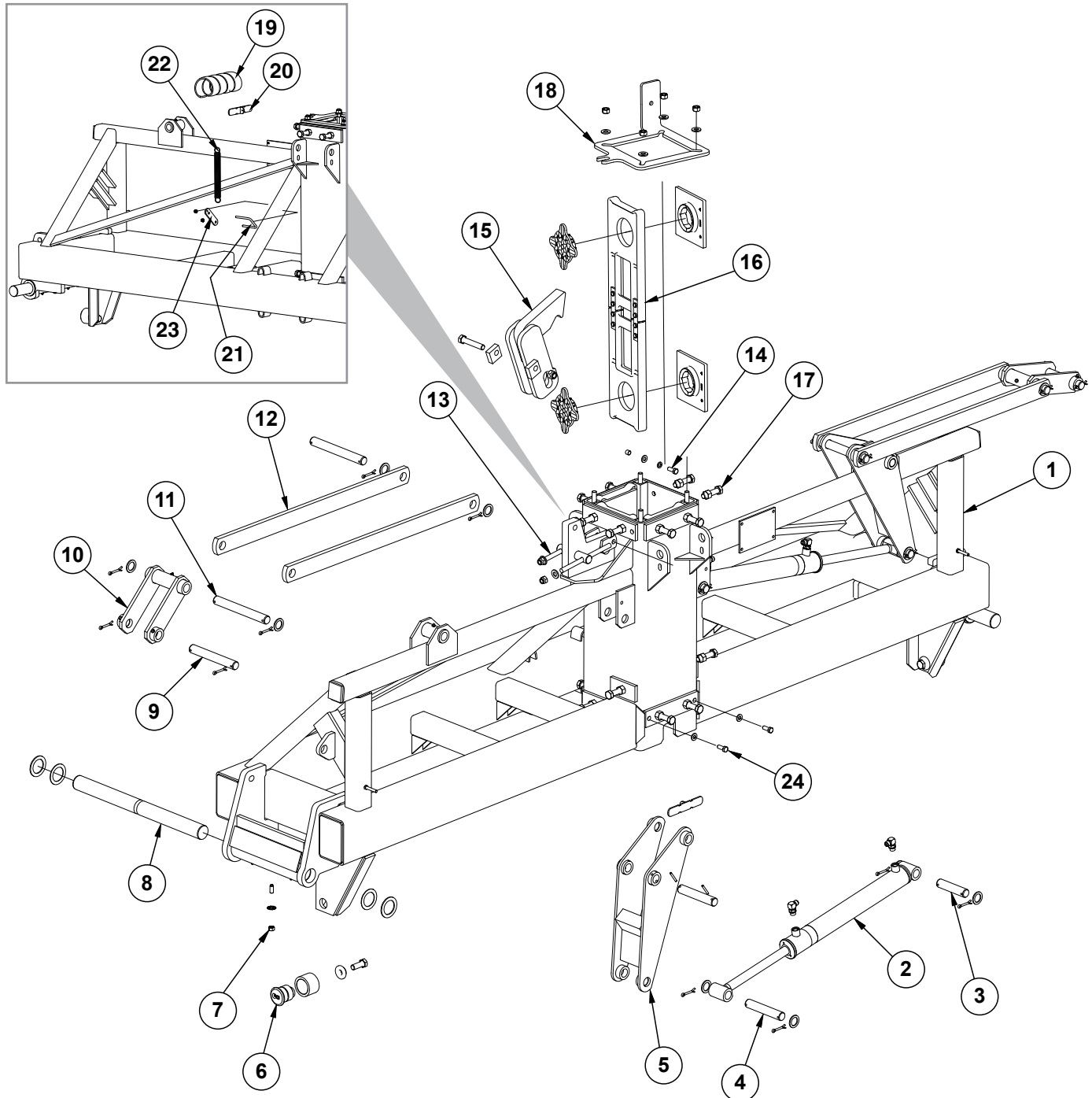
ITEM	PART NO.	QTY.	DESCRIPTION
15	G10091201	1	Center Cover
16	G10090801	1	Diagonal Harness Cover
17	G10091101	1	Center Frame Electric Plate
18	G10103	5	Hex Nut, 1/4"-20
	G11385	5	Flat Washer, 1/4" SAE
	G10309	5	Carriage Bolt, 1/4"-20 x 5/8", Grade 5
19	G10124501	3	Hex Head Cap Screw, 3/4"-10 x 2 3/4", Grade 8
	GD2169	5	Special Washer, 25/32" I.D. x 1 1/4" O.D., Hardened
	G10436	3	Hex Nut, 3/4"-10
20	G10808	6	Hex Head Cap Screw, 1"-8 x 10", Grade 8
	G11394	12	Flat Washer, 1" SAE
	G10647	6	Hex Nut, 1"-8, Grade 8
21	GD8188	1	Hose Clamp, 7/8" x 3" x 5 3/8"
	GD8189	1	Rubber Strip, 3/8"
	G11387	1	Flat Washer, 3/8" SAE
	G10108	2	Lock Nut, 3/8"-16
22	G10111	1	Lock Nut, 1/2"-13
	GD8188	1	Hose Clamp, 7/8" x 3" x 5 3/8"
	GD8189	1	Rubber Strip, 3/8"
23	GD5875	1	Hose Clamp, 9/16" x 2 1/2" x 2"
24	G10585	1	Hex Head Cap Screw, 1/2"-13 x 3 1/4"
	G11389	1	Flat Washer, 1/2" Plated SAE
	GD10538-01	1	Sleeve
	G11091	2	Serrated Flange Nut, 3/8"-16
	G10071	1	Serrated Flange Nut, 1/2"-13
25	GA9205	1	<a href="#">See "Tongue Lock Cylinder" on page P173</a>
26	G6400-06-08	2	Connector W/O-Ring, 9/16"-18 Male JIC To 3/4"-16 O-Ring
	GR1037	-	O-Ring
27	GD10530	1	U-Bolt, 2 1/8" x 1 7/8" x 3/8"-16
	G10101	2	Hex Nut, 3/8"-16
28	GD13544	2	Shim, 2 1/2" x 10", 10 Gauge (.1345")
29	G11015101	2	Hose Clamp
	GD11963-07	2	Sleeve, 1/2" O.D. x .384" I.D. x 1"
	G11387	2	Flat Washer, 3/8" SAE
	G10047	2	Hex Head Cap Screw, 3/8"-16 x 1 3/4"

(IP1228)



ITEM	PART NO.	QTY.	DESCRIPTION
1	GA14322	-	Front Hose Take-Up, 41", 12 Row 30"
	GA14515	1	Front Hose Take-Up, 56", 16 Row 30" (Shown)
2	GA14323	-	Rear Hose Take-Up, 41", 12 Row 30"
	GA14514	1	Rear Hose Take-Up, 56", 16 Row 30" (Shown)
3	G10689	6	Carriage Bolt, 5/8"-11 x 2"
	GB0218	6	Bushing, 2 1/32" I.D. x 7/8" O.D. x 1 9/32" Long
	G11391	6	Flat Washer, 5/8" SAE
	G10107	6	Lock Nut, 5/8"-11
4	---	1	<a href="#">See "Valve Block - Located on Hitch" on page P183</a>
5	GD9952	1	Cover
	G10004	8	Hex Head Cap Screw, 3/8"-16 x 1 1/4"
	G11091	8	Serrated Flange Nut, 3/8"-16
6	GA3584	1	Ground Clamp
7	G10172	2	Hex Head Cap Screw, 3/8"-16 x 5"
	G11387	6	Flat Washer, 3/8" SAE
	G10108	2	Lock Nut, 3/8"-16
8	GA14519	2	Hose Take-Up Bulk Head
	G10004	4	Hex Head Cap Screw, 3/8"-16 x 1 1/4"
	G11091	4	Serrated Flange Nut, 3/8"-16
9	G2700-12	2	Bulkhead Tube Union, 1 1/16"-12 Male JIC
	G306-12	2	Lock Nut, 1 1/16"-12
10	G2700-10	2	Bulkhead Tube Union, 7/8"-14 Male JIC
	G306-10	2	Lock Nut, 7/8"-14
11	G2700-06-06	2	Bulkhead Tube Union, 9/16"-18 Male JIC
	G306-06	1	Lock Nut, 9/16"-18
12	GD8188	3	Hose Clamp, 7/8" x 3" x 5 3/8"
	GD8189	3	Rubber Pad
	G11170	3	Hex Head Tap Bolt, 1/2"-13 x 3 1/2"
	G10111	3	Lock Nut, 1/2"-13

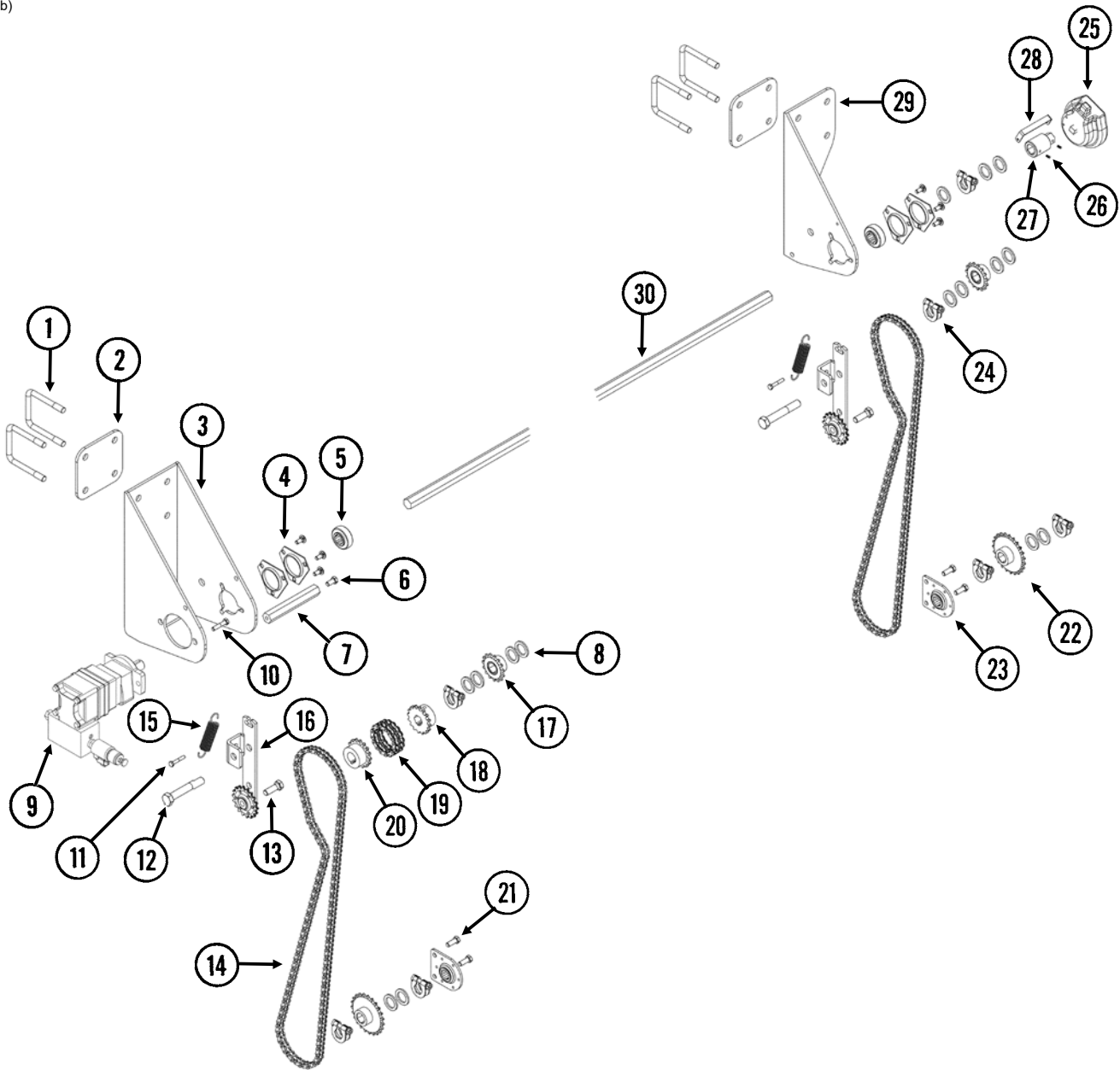
(IP1229)



ITEM	PART NO.	QTY.	DESCRIPTION
1	GA14939	1	Center Frame W/Cam Follower Mounts ( <b>Non-Stock Item</b> )
	GA6929	-	Cam Follower Mount, L.H. (Included W/GA14939)
	GA6928	-	Cam Follower Mount, R.H. (Included W/GA14939)
2	GA21115	2	<a href="#">See "Wing Lock Cylinder" on page P172</a>
	G6801-08	4	Elbow W/O-Ring, 90°, 3/4"-16 Male JIC To O-Ring
3	GD0826	2	Pin, 1 1/4" x 5 1/2"
	G10159	4	Washer, 1 7/8"
	G10460	4	Cotter Pin, 1/4" x 2"

ITEM	PART NO.	QTY.	DESCRIPTION
4	GD9955	2	Pin, 1¼" x 7"
	G10460	4	Cotter Pin, ¼" x 2"
	G10159	4	Washer, 1⅞"
5	GA7019	2	Toggle Link
	GD9955	2	Pin, 1¼" x 7"
	G10606	4	Spring Pin, ¼"x 2"
6	GA6497	2	Cam Follower W/Grease Fitting
	G10640	-	Grease Fitting, ¼"-28 (Included W/GA6497)
	GD10532	2	Sleeve
	GB0409	2	Spring Washer
	G10026	2	Hex Head Cap Screw, ¾"-10 x 2"
7	G10102	2	Hex Nut, ½"-13
	G10527	2	Lock Washer, ½" Internal/External
	G10828	2	Hex Socket Set Screw, ½"-13 x 1¼"
8	GD10531	2	Hinge Pin, 2⅞" x 25¾"
	G10336	4	Machine Bushing, 2⅞", 14 Gauge (As Required)
	G10234	4	Machine Bushing, 2⅞", 10 Gauge (As Required)
9	GD9963	2	Pin, 1¼" x 9"
	G10460	4	Cotter Pin, ¼" x 2"
10	GA7018	2	Link
11	GD9964	2	Pin, 1¼" x 10½"
	G10460	4	Cotter Pin, ¼" x 2"
	G10159	4	Washer, 1⅞"
12	GD9956	4	Wing Link Bar, 39⅞"
	GD9964	2	Pin, 1¼" x 10½"
	G10460	4	Cotter Pin, ¼" x 2"
	G10159	4	Washer, 1⅞"
13	GA6943	2	Spring Rod
	GD9870	1	Pin, 1¼" x 6"
	GD9898	1	Pin, 1¼" x 2 <sup>15</sup> / <sub>16</sub> "
	GD10006	2	Spring
	G11391	2	Flat Washer, ⅝" SAE
	G10107	2	Lock Nut, ⅝"-11
14	G10037	2	Hex Head Cap Screw, ½"-13 x 1¼"
	G10228	2	Lock Washer, ½"
	G11389	2	Flat Washer, ½" SAE
	GD7904-02	2	Sleeve, ½" x ½" Long
15	GA7390	1	Safety Hook
	GD10492	2	Adjustment Block
	G10044	1	Hex Head Cap Screw, ¾"-10 x 4"
	G10112	1	Lock Nut, ¾"-10
16	GA7579	4	Pad Holder W/Bars
	GB0867	4	Wear Pad
	G10851101	4	Retainer Wear Pad
17	G10543	16	Hex Head Cap Screw, ¾"-10 x 3", Full Thread
	G10105	-	Hex Nut, ¾"-10
18	GD9968	1	Cap
	G11391	4	Flat Washer, ⅝" SAE
	G10104	4	Hex Nut, ⅝"-11
19	GD19383-02	1	Hose Wrap, 40"
20	GA13934	1	Hose Anchor
21	GD19212	1	U-Bolt, 2½" x ⅜"-16
	G11091	2	Serrated Flange Nut, ⅜"-16
22	GD0829	1	Spring
23	GD20696	1	Hose Anchor
24	G10716	4	Hex Head Cap Screw, ¾"-10 x 1"
	G11392	4	Flat Washer, ¾" SAE

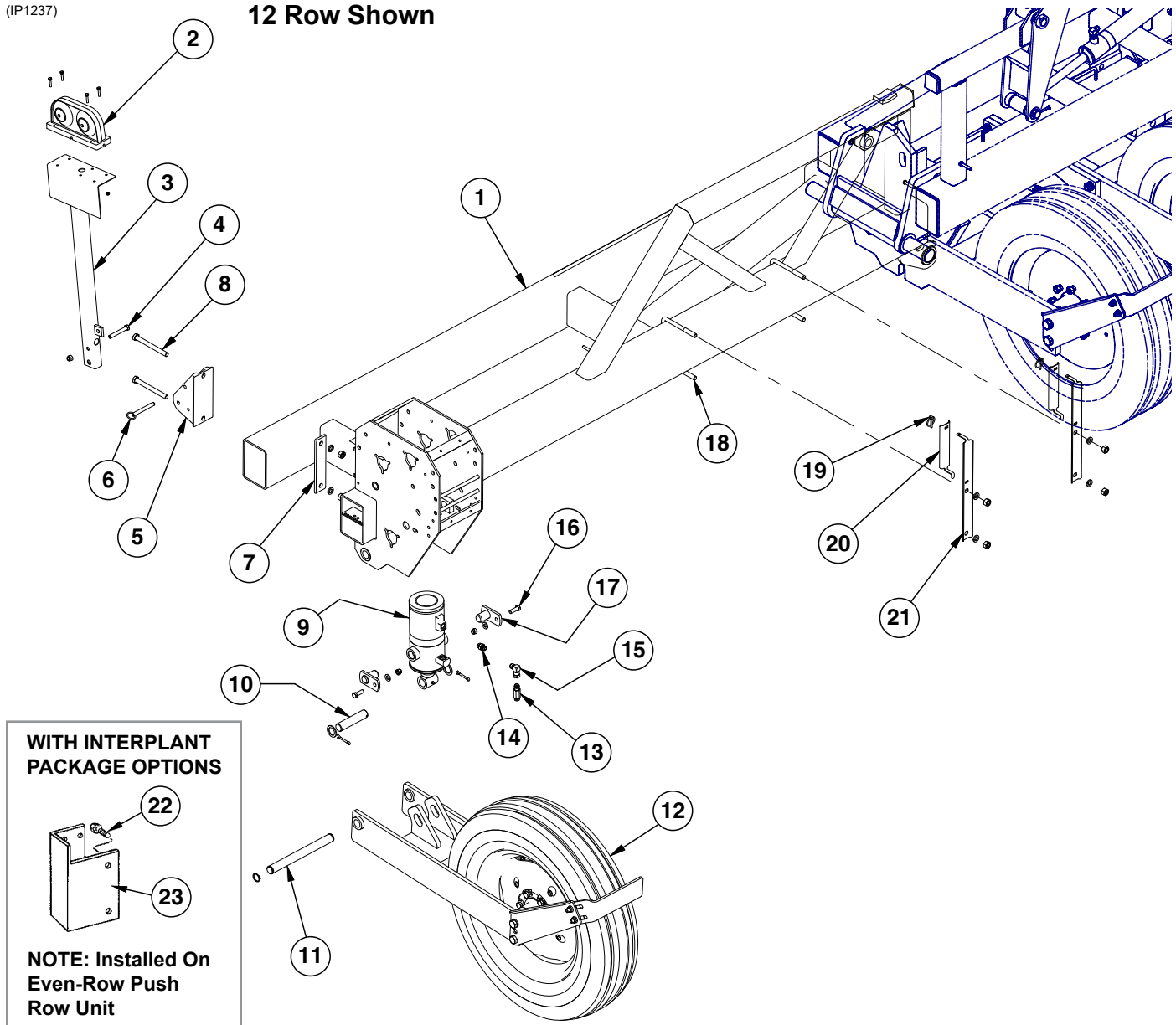
(VI56b)



ITEM	PART NO.	QTY.	DESCRIPTION
1	GD4743	4	U-Bolt, 3" x 3" x 1/2"-13
	G10228	8	Lock Washer, 1/2"
	G10102	8	Hex Nut, 1/2"-13
2	GD18114	2	Spacer Plate
3	GA12569	1	Motor Bracket
4	G3400-01	4	Flangette
5	G2100-03	2	Bearing, 7/8" Hex Bore, Spherical
6	G10002	2	Hex Head Cap Screw, 3/8"-16 x 3/4"
7	GD18326	1	Hex Spacer
8	G10233	15	Machine Bushing, 1", 10 Gauge
9	---	-	<a href="#">See "Hydraulic Motor Assembly" on page P187</a>
10	G10133	2	Hex Head Cap Screw, 5/16"-18 x 1 1/2"
	G10232	2	Lock Washer, 5/16"
	G10106	2	Hex Nut, 5/16"-18
11	G10021	2	Hex Head Cap Screw, 1/4"-20 x 1 1/2"
	G10110	2	Lock Nut, 1/4"-20, Grade B
12	G10036	2	Hex Head Cap Screw, 5/8"-11 x 4"
	G10103	2	Hex Nut, 1/4"-20
13	G10017	2	Hex Head Cap Screw, 1/2"-13 x 1 1/2"
	G10102	2	Hex Nut, 1/2"-13
14	G3310-84	2	Chain, No. 40, 84 Pitch Including Connector Link
	GR0912	-	Connector Link, No. 40
15	GD5857	2	Spring
16	GA9553	2	Idler W/Sprocket And Hardware
	GA7154	2	Sprocket W/Bearing, 19 Tooth (Included W/GA9553)
	G10017	2	Hex Head Cap Screw, 1/2"-13 x 1 1/2" (Included W/GA9553)
	G10128	2	Machine Bushing, 1/2", 14 Gauge (Included W/GA9553)
	G10501	2	Hex Jam Nut, 1/2"-13, Grade 2 (Included W/GA9553)
	GD13422	2	Idler Arm (Included W/GA9553)
17	GA5105	2	Sprocket, 15 Tooth
18	GD16490	2	Coupler, 1" I.D.
19	G3317-16	1	Chain, Double No. 40, 16 Pitches
	GR1790	-	Connector Link, Double No. 40
20	GD16489	1	Coupler, 7/8" Hex
21	G10001	4	Hex Head Cap Screw, 3/8"-16 x 1"
	G10101	4	Hex Nut, 3/8"-16
22	GA5108	2	Sprocket, 23 Tooth (Mechanical)
	GA5114	2	Sprocket, 30 Tooth (Vacuum)
23	GA2180	2	Hanger Bearing, 7/8" Hex Bore
24	GA11331	-	Hex Lock Clamp Assembly
25	GA12565	1	Encoder Module
26	G11242	2	Hex Socket Set Screw, 1/4"-20 x 3/8"
27	GA12661	1	Hex Adapter Encoder
28	GD18115	1	Encoder Bracket
29	GD18014	1	Carrier Bracket
30	GD0914-54.75	1	Hex Shaft, 7/8" x 54 3/4" (No Holes)

(IP1237)

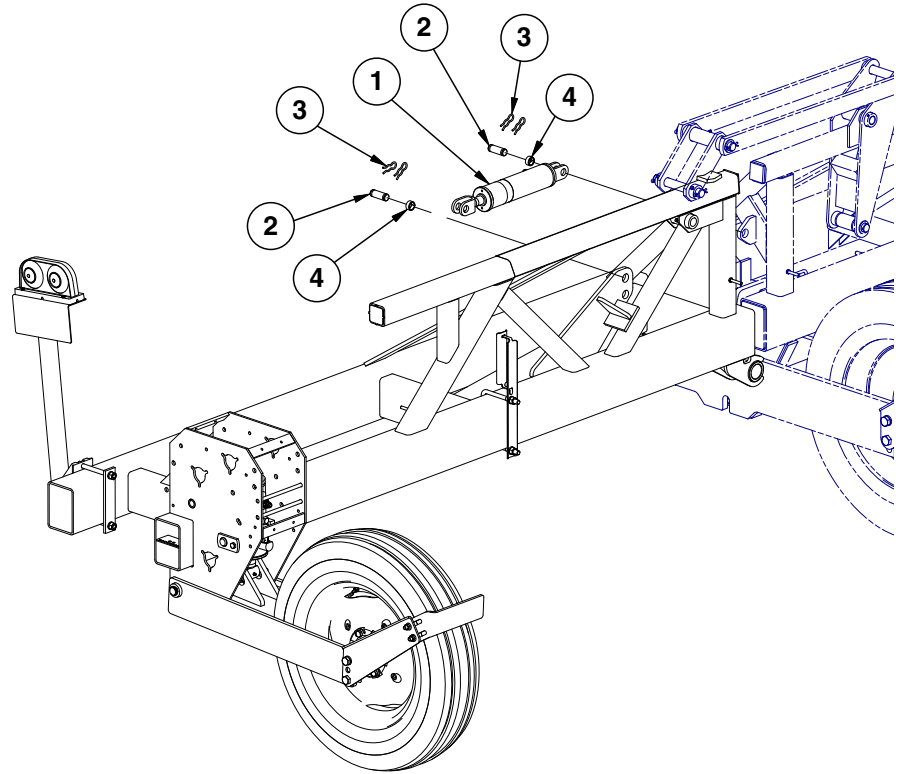
12 Row Shown





ITEM	PART NO.	QTY.	DESCRIPTION
1	A14935	1	Wing, L.H., 119¼", 12 Row 30" <b>(Non-Stock Item)</b>
	A14936	-	Wing, R.H., 119¼", 12 Row 30" <b>(Non-Stock Item)</b>
	A14938	-	Wing, R.H., 179¼", 16 Row 30" (Two Wheel Towers Per Wing) <b>(Non-Stock Item)</b>
	A14937	-	Wing, L.H., 179¼", 16 Row 30" (Two Wheel Towers Per Wing) <b>(Non-Stock Item)</b>
2	---	-	<a href="#">See "Electrical Components" on page P201</a>
	G10064	4	Hex Head Cap Screw, ¼"-20 x 1"
	G10110	4	Lock Nut, ¼"-20, Grade B
3	GA9840	1	Light Bracket
4	G10033	1	Hex Head Cap Screw, ½"-13 x 3½"
	G10111	3	Lock Nut, ½"-13
5	GB0309	1	Light Mount Bracket
6	G10874	1	Detent Pin, ½" x 3½" Grip
7	GD18628	1	Mounting Bracket
8	G10439	2	Hex Head Cap Screw, ⅝"-11 x 7"
	G10230	2	Lock Washer, ⅝"
	G10104	2	Hex Nut, ⅝"-11
9	---	-	<a href="#">See "Wing Lift Cylinder, 12 Row" on page P167</a>
	---	-	<a href="#">See "Wing Lift Cylinder, 16 Row" on page P168</a>
10	GD5841	1	Pin, 1¼" x 5⅝"
	G10159	2	Machine Bushing, 1¼", 10 Gauge
	G10460	2	Cotter Pin, ¼" x 2
11	---	-	<a href="#">See "Ground Drive Wheel" on page P129</a>
12	---	-	<a href="#">See "Ground Drive Wheel" on page P129</a>
13	G6400-L-08	1	Long Connector W/O-Ring, ¾"-16 Male JIC To O-Ring
	GR1037	-	O-Ring
14	G6400-08	1	Connector W/O-Ring, ¾"-16 Male JIC To O-Ring
	GR1037	-	O-Ring
15	G6500-08	1	Swivel Elbow, 90°, ¾"-16 Male JIC To Female
16	G10017	2	Hex Head Cap Screw, ½"-13 x 1½"
	G11389	2	Flat Washer, ½" SAE
	G10111	2	Lock Nut, ½"-13
17	GA14359	2	Cylinder Pin
18	GD1113	2	U-Bolt, 5" x 7" x ⅝"-11
	G10230	4	Lock Washer, ⅝"
	G10104	4	Hex Nut, ⅝"-11
19	GD2558	2	Lynch Pin, ¼"
20	GD20595	2	Short Hose Holder Mount
21	GD20593	2	Long Hose Holder Mount
22	G10001	2	Hex Head Cap Screw, ⅜"-16 x 1"
	G10229	2	Lock Washer, ⅜"
	G10101	2	Hex Nut, ⅜"-16
23	GD34922	1	Push Row Unit Light Bracket
A	G7698X	-	Push Row Unit Mounted Light Bracket Package (Items 22 And 23 On This Page And 42" Harness Extension, Item 5 On <a href="#">page P212</a> )

(IP1318)



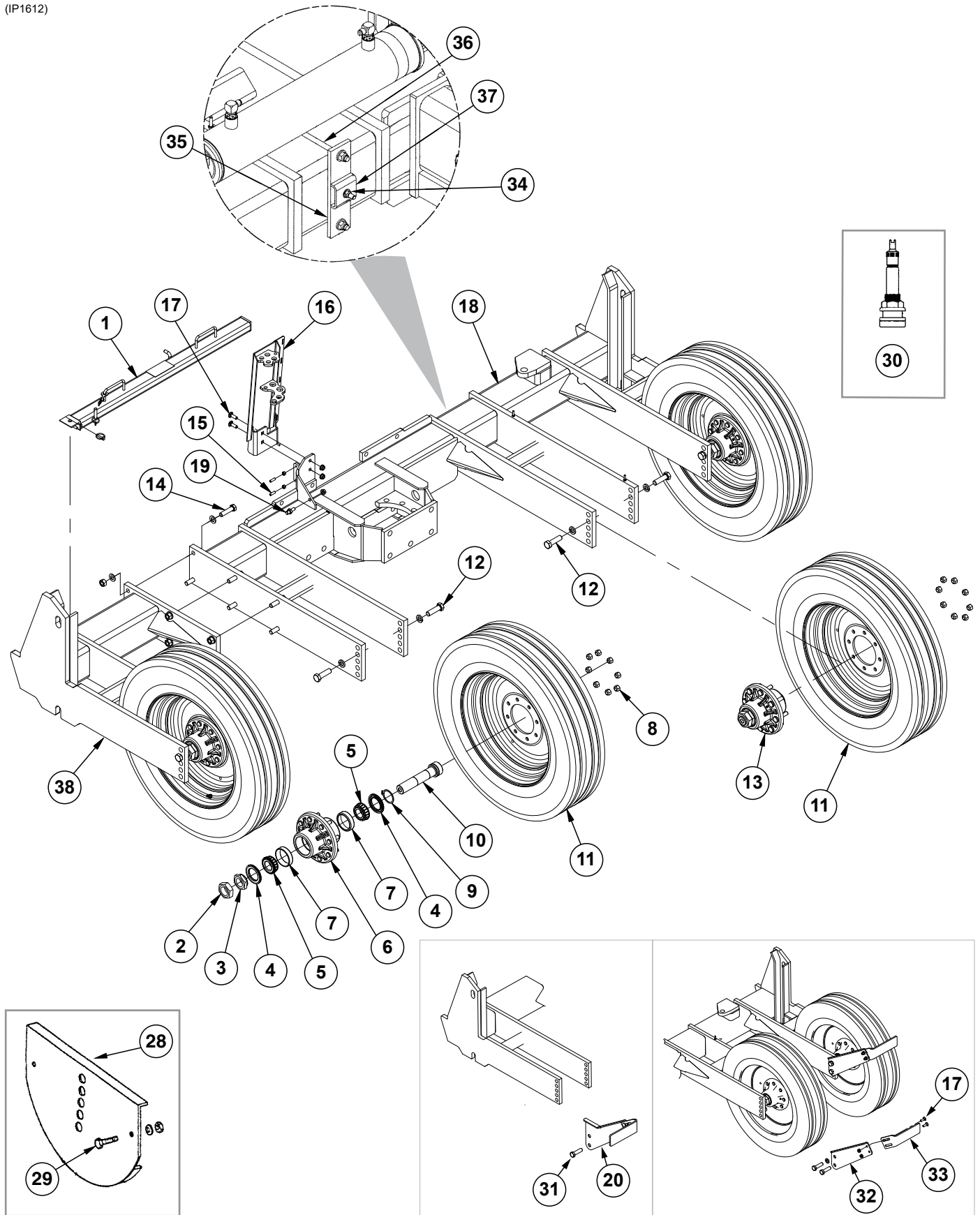
ITEM	PART NO.	QTY.	DESCRIPTION
1	GA14481	2	<a href="#">See "Wing Down Pressure Cylinder" on page P174</a>
2	GR0367	6	Pin, 1" x 2 <sup>7</sup> / <sub>8</sub> "
3	GR0193	12	Hair Pin Clip
4	GD18663	6	Tension Bushing, 1" I.D.

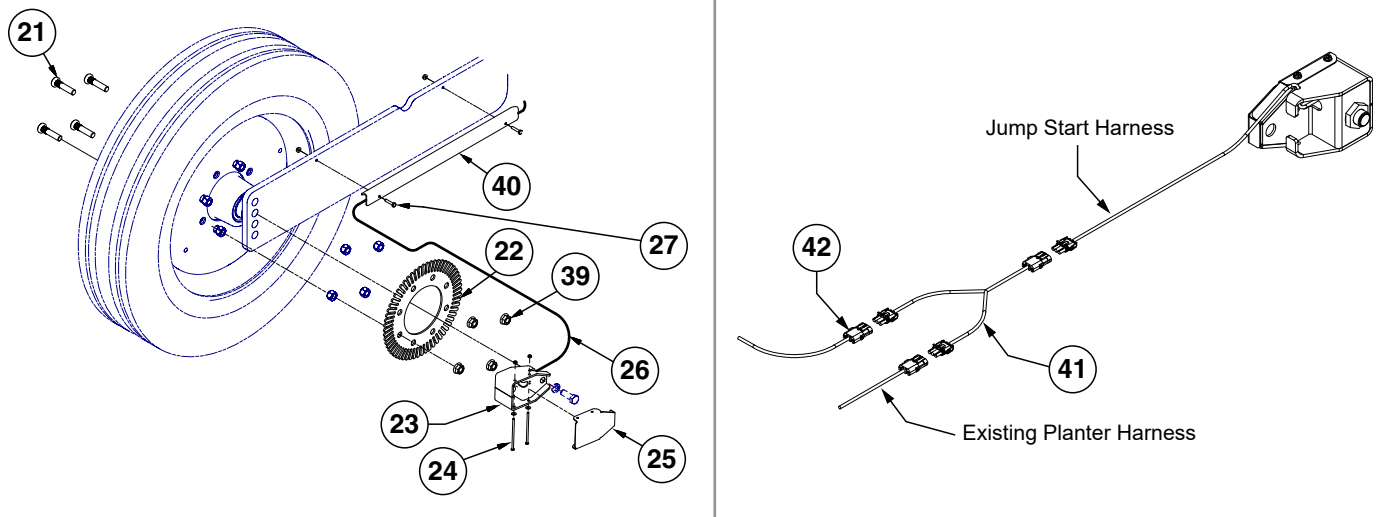
**This page left blank intentionally.**



ITEM	PART NO.	QTY.	DESCRIPTION
1	G10068	4	Hex Head Cap Screw, 5/8"-11 x 6"
	G10107	6	Lock Nut, 5/8"-11
	GD10446	1	Inner Sleeve, 3 <sup>13</sup> / <sub>16</sub> "
	GD10447	1	Outer Sleeve, 3 <sup>5</sup> / <sub>8</sub> "
	GA6964	1	Hook Strap
2	GA21813	2	<a href="#">See "Center Lift Cylinder" on page P169</a> (12 Row)
	GA21627	-	<a href="#">See "Center Lift Cylinder" on page P169</a> (16 Row)
3	GA5121	4	Pin, 2 <sup>1</sup> / <sub>8</sub> "
	G10636	4	Carriage Bolt, 1/2"-13 x 1 1/2"
	G10111	4	Lock Nut, 1/2"-13
4	GR0375	2	Pin, 1" x 3 1/2"
	GR0193	4	Hair Pin Clip
5	GD10092	1	Pin, 1 1/4" x 5 1/4"
	G10049	1	Hex Head Cap Screw, 3/8"-16 x 2 1/2"
	G10108	3	Lock Nut, 3/8"-16
6	GA8904	1	<a href="#">See "Rotation Cylinder" on page P166</a>
	G6801-06-08	2	Elbow W/O-Ring, 90°, 9/16"-18 Male JIC To 3/4"-16 O-Ring
	GR1037	1	O-Ring
7	GD10064	1	Pin, 1 1/4" x 5 1/4"
	G10460	4	Cotter Pin, 1/4" x 2"
8	G6801-06-08	2	Elbow W/O-Ring, 90°, 9/16"-18 Male JIC To 3/4"-16 O-Ring
	GR1037	-	O-Ring
9	G10806	2	Hex Set Screw, 3/8"-16 x 1 1/4"
	G10101	2	Hex Nut, 3/8"-16
10	G10091901	1	Bulkhead Mount
	G10636	2	Carriage Bolt, 1/2"-13 x 1 1/2"
	G10071	11	Serrated Flange Nut, 1/2"-13
11	GD5875	1	Hose Clamp, 9/16" x 2 1/2" x 2"
	G10004	1	Hex Head Cap Screw, 3/8"-16 x 1 1/4"
12	G10329	8	Hex Head Cap Screw, 7/8"-9 x 3 1/2", Grade 8
	GD10063	16	Hardened Washer, 7/8"
	G11053	8	Hex Nut, 7/8"-9, Grade 8
13	GA7540	1	Center Post
14	G10716	1	Hex Head Cap Screw, 3/4"-10 x 1"
15	GA7096	2	Cone
16	G10027	4	Hex Head Cap Screw, 3/4"-10 x 2 1/2"
	GD2169	4	Special Washer, <sup>25</sup> / <sub>32</sub> " I.D. x 1 1/4" O.D., Hardened
17	GD10013	1	Shim, .020" Thick (As Required)
	GD10014	1	Shim, .007" Thick (As Required)
	GD10012	1	Shim, .005" Thick (As Required)
18	GA20687	1	Bearing Housing W/Cups, Less Grease Fitting (Includes Item No. 20)
	G10779	-	Grease Fitting, 90°, 1/4"-28
19	GD9636	1	Bearing Cap
	GD9130	1	O-Ring
20	GD10011	2	Cup
21	GA14600	1	Pressure Gauge Mount
	G10060	2	Hex Head Cap Screw, 5/16"-18 x 2 1/2"
	G10620	2	Serrated Flange Nut, 5/16"-18
22	---	-	<a href="#">See "Vacuum System" on page P65</a> <a href="#">See "Bulk Fill Fan System" on page P81</a>

(IP1612)





ITEM	PART NO.	QTY.	DESCRIPTION
1	GA7098	1	Manual Safety Lockup W/Detent Pin
	GA7022	1	Detent Pin W/Chain
	GD2558	1	Lynch Pin, 1/4"
2	GD7864	1	Special Hex Nut, 1 3/4"-12 UNF
3	GD7089	1	Special Nut, 1 3/4"-12 UNF
4	GA4722	2	Seal
5	GA4723	2	Bearing
6	G10721201	4	Hub W/Cups, Bolts, Nuts And Grease Fitting, 8 Bolt, 1 3/4" Bore
	GR0528	8	Stud, 5/8"-18 x 2 1/4", Grade 8 (Included W/G10721201)
	G10640	1	Grease Fitting, 1/4"-28 (Included W/G10721201)
7	GD7079	2	Cup (Included W/GA4729 or GA27032)
8	G10825001	8	Lug Nut, 5/8"-18, Grade 8 (Included W/G10721201 or GA27032)
9	G10913	1	External Retaining Ring, 2 1/2"
10	GD11245	1	Spindle Shaft
11	GD13409	-	Tire, 255-70R 22.5" W/O Center Rib, Tubeless (Specify Brand*)
	GA14516	-	Rim, 5.5" x 22.5", All Sizes
12	G10441	8	Hex Head Cap Screw, 7/8"-9 x 3", Grade 8
	G10330	8	Lock Washer, 7/8"
13	GA14521	1	Hub W/Cups (Includes Items 8 and 21)
	G10640		Grease Fitting, 1/4"-28 (Included W/GA14521)
14	G10028	6	Hex Head Cap Screw, 3/4"-10 x 3"
	G11392	12	Flat Washer, 3/4" SAE
	G10105	6	Hex Nut, 3/4"-10
15	G10806	2	Hex Set Screw, 3/8"-16 x 1 1/4"
	G10101	2	Hex Nut, 3/8"-16
16	G10091901	1	Bulkhead Mount
17	G10636	2	Carriage Bolt, 1/2"-13 x 1 1/2"
	G10071	2	Serrated Flange Nut, 1/2"-13
18	GA14981	1	Axle, 12 Row and 16 Row
	GA17903	-	Axle, 16 Row Twin Row
19	GD19655	1	Pin
	G10071	1	Serrated Flange Nut, 1/2"-13
20	GA18105	2	L.H. Long Scraper Arm
	GD34179	1	L.H. Slotted Scraper
21	GD18676	4	Lug Bolt, 5/8"-18 x 2 3/4" (If Applicable)

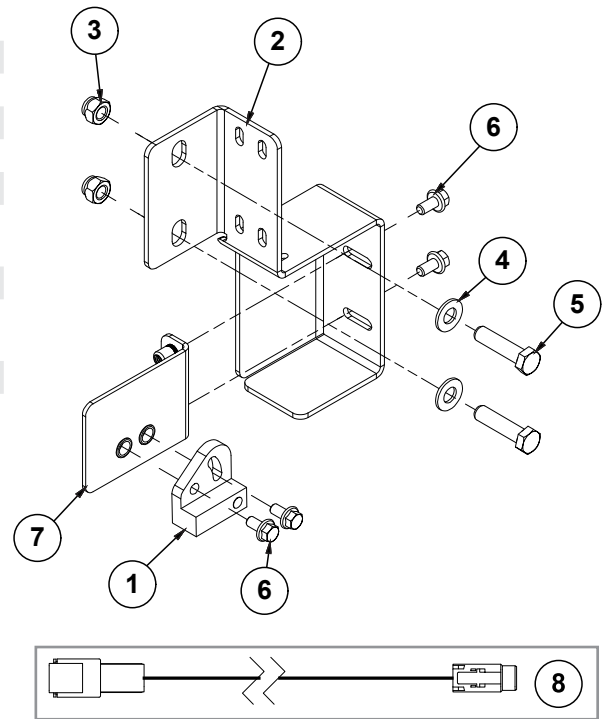
Continued on the next page.

ITEM	PART NO.	QTY.	DESCRIPTION
22	GD18643	1	Jump Start Wheel (If Applicable)
23	G10012301	1	Jump Start Bracket
24	G10621	2	Serrated Flange Nut, 1/4"-20
	G10013101	2	Hex Head Cap Screw, 1/4"-20 x 5-1/2"
	G10209	2	Washer, 1/4" USS
25	G10012201	1	Jump Start Sensor Cover
26	GA13204	1	Motion Sensor
27	G10857	2	Hex Head Cap Screw, 1/4"-20 x 1 1/4"
	G10621	2	Serrated Flange Nut, 1/4"-20
28	GA5716	-	Rock Guard (Optional)
29	G10448	-	Hex Head Cap Screw, 7/8"-9 x 2 1/2", Grade 8
	G10330	-	Lock Washer, 7/8"
	G10955	-	Hex Nut, 7/8"-9
30	GA7434	-	Valve Stem
31	G10441	12	Hex Head Cap Screw, 7/8"-9 x 3", Grade 8
	G10330	12	Lock Washer, 7/8"
	G10955	4	Hex Nut, 7/8"-9
32	GD20457	2	R.H. Long Scraper Arm
33	GD34178	2	R.H. Slotted Scraper
34	G10108	1	Lock Nut, 3/8"-16 (Twin-Row Only)
	G11387	1	Flat Washer, 3/8" SAE (Twin-Row Only)
35	GA17413	1	Mounting Bracket (Twin-Row Only)
36	GD7145	1	U-Bolt, 7" x 7" x 1/2"-13 (Twin-Row Only)
	G10111	2	Lock Nut, 1/2"-13 (Twin-Row Only)
	G11389	2	Flat Washer, 1/2" Plated SAE (Twin-Row Only)
37	GD5875	1	Hose Clamp, 9/16" x 2 1/2" x 2" (Twin-Row Only)
38	GA15453	1	Stub Axle
39	G11254	4	Serrated Flange Nut, 5/8"-18
40	GD18645	1	Cable Guard
41	GA25454	1	Wheel Speed Splitter Harness
42	GA25551	1	Wheel Speed Extension Harness
A	GA14517	-	Tire And Rim Assembly (Items 11 and 30) (Specify Brand*)
B	G10012101	-	Jump Start Bracket Assembly (Items 23 - 26) (If Applicable)
C	GA4727	-	Spindle W/Retaining Ring, 1 3/4" (Items 10 and 11)
D	GA4736	-	Hub/Spindle Assembly (Items 2-5 and 9-10)

\*Specific brand requests will be supplied only as available from current Kinze Repair Parts stock. If a specific brand requested is not in stock, the brand available will be supplied.

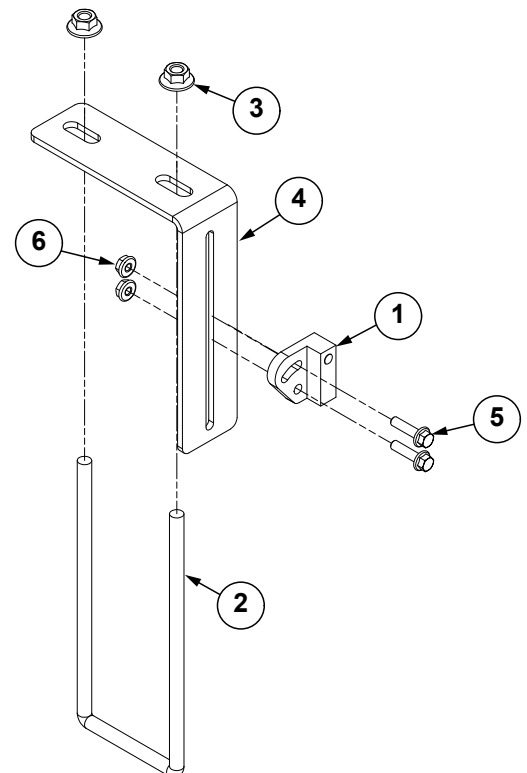


ITEM	PART NO.	QTY.	DESCRIPTION
1	GA18353	1	Position Switch Magnetic Reed
2	G10096201	1	Implement Switch Base Bracket
3	G11091	2	Serrated Flange Nut, 3/8"-16
4	G11387	2	Flat Washer, 3/8" SAE
5	G10003	2	Hex Head Cap Screw, 3/8"-16 x 1 1/2"
6	G11409	4	Hex Serrated Flanged Cap Screw, 1/4"-20 x 1"
7	G10107501	1	Implement Switch Bracket Assembly
8	G10203601	1	Implement Switch Extension Harness, 130"
A	G10096001	-	Implement Switch Assembly, Items 1-7

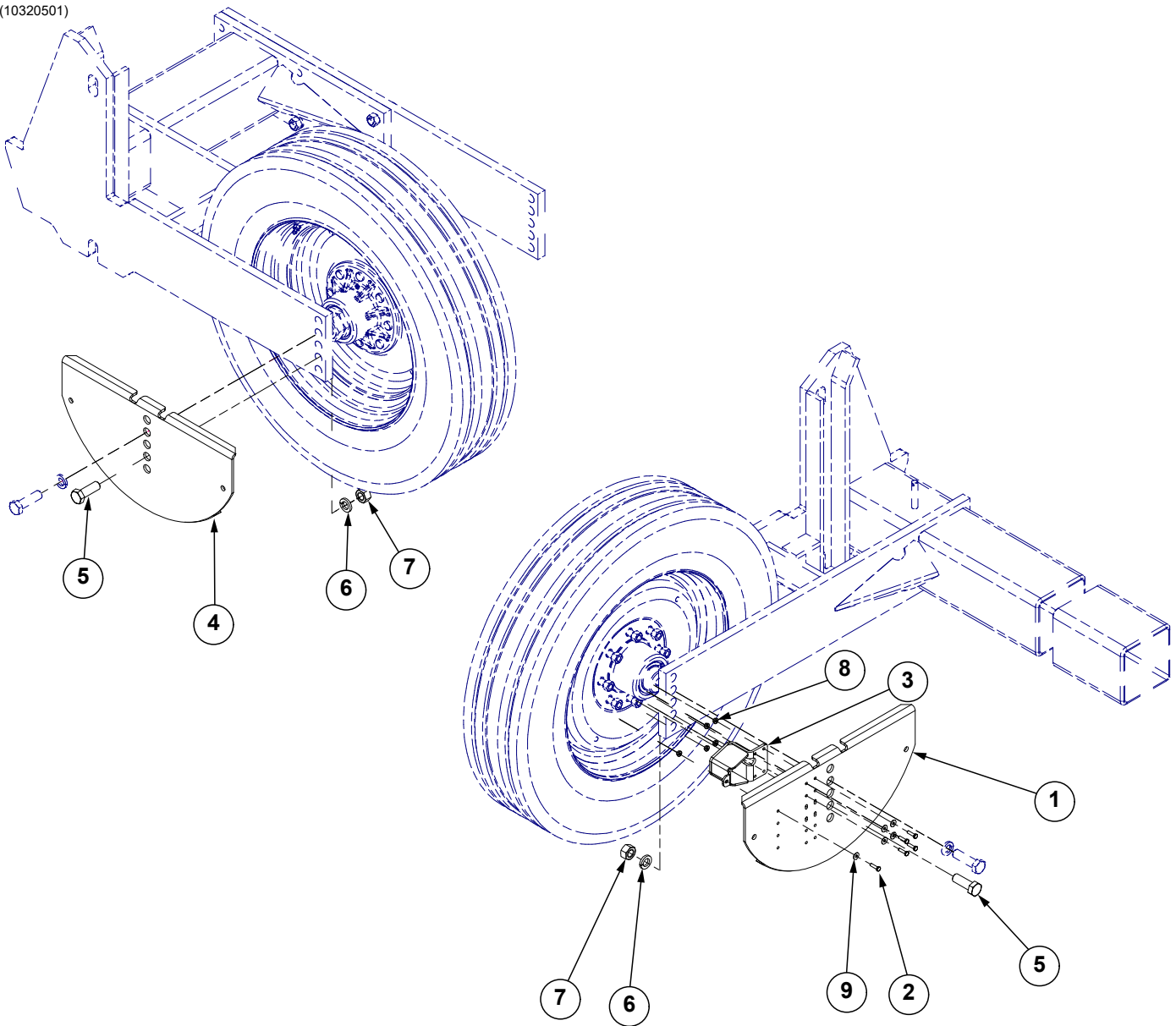


Implement Switch Assembly (2022 Production and On)

ITEM	PART NO.	QTY.	DESCRIPTION
1	GA18353	1	Position Switch Magnetic Reed
2	G10403501	1	U-Bolt, 3" x 8" x 3/8"-16
3	G11091	2	Serrated Flange Nut, 3/8"-16
4	G10403801	1	Switch Mount Bracket
5	G11409	2	Hex Serrated Flanged Cap Screw, 1/4"-20 x 1"
6	G10621	2	Serrated Flange Nut, 1/4"-20
A	G10404901	-	Implement Switch Assembly, Items 1-6



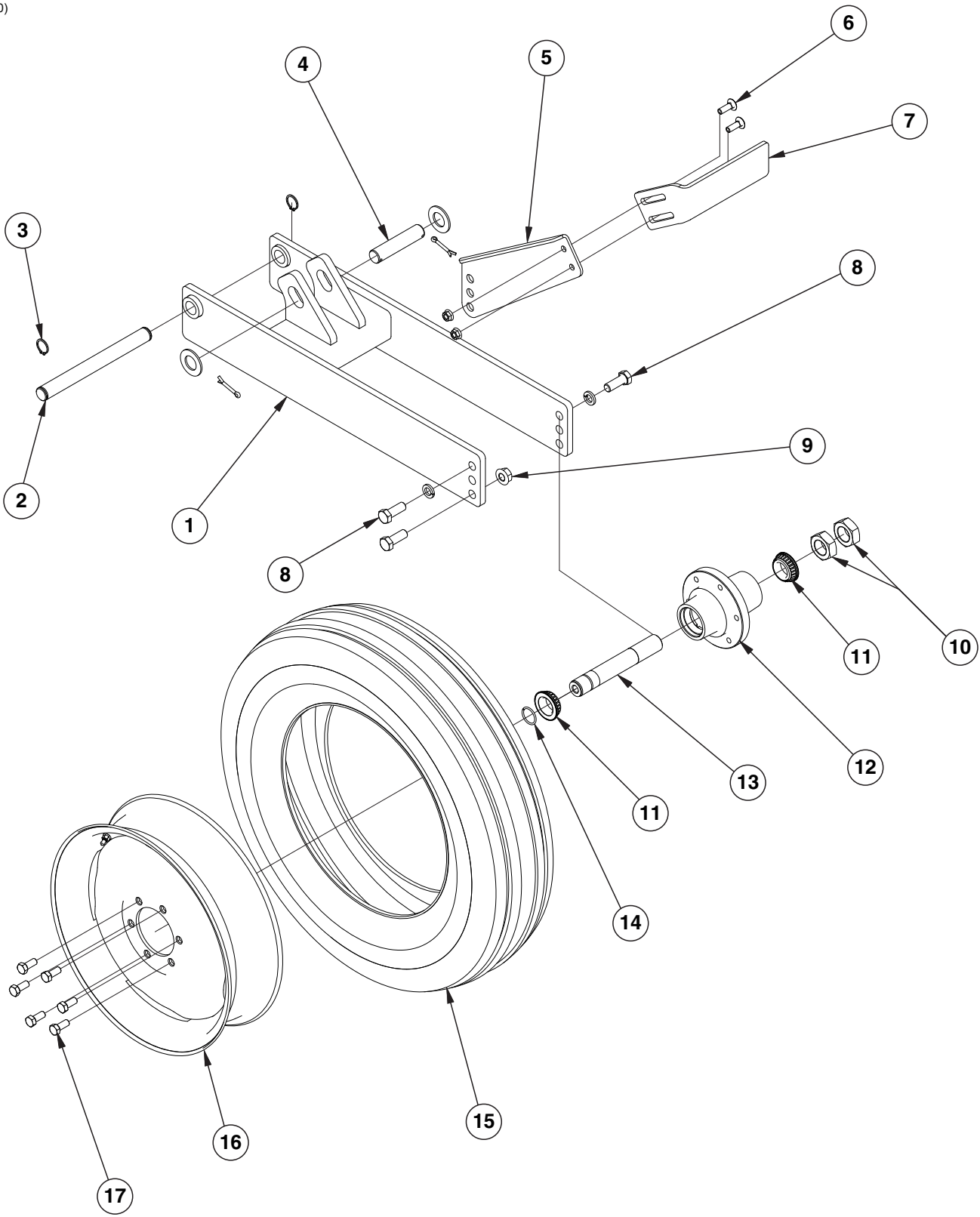
(10320501)



ITEM	PART NO.	QTY.	DESCRIPTION
1	G10318301	1	Rock Wheel Guard W/Jump Start
2	G10064	5	Hex Head Cap Screw, 1/4"-20 x 1"
3	G10020501	1	Jump Start Bracket
4	GA5716	1	Rock Guard
5	G10448	2	Hex Head Cap Screw, 7/8"-9 x 2 1/2", Grade 8
6	G10330	2	Lock Washer, 7/8"
7	G10955	2	Hex Nut, 7/8"-9
8	G10621	5	Serrated Flange Nut, 1/4"-20
9	G10209	5	Washer, 1/4" USS

**This page left blank intentionally.**

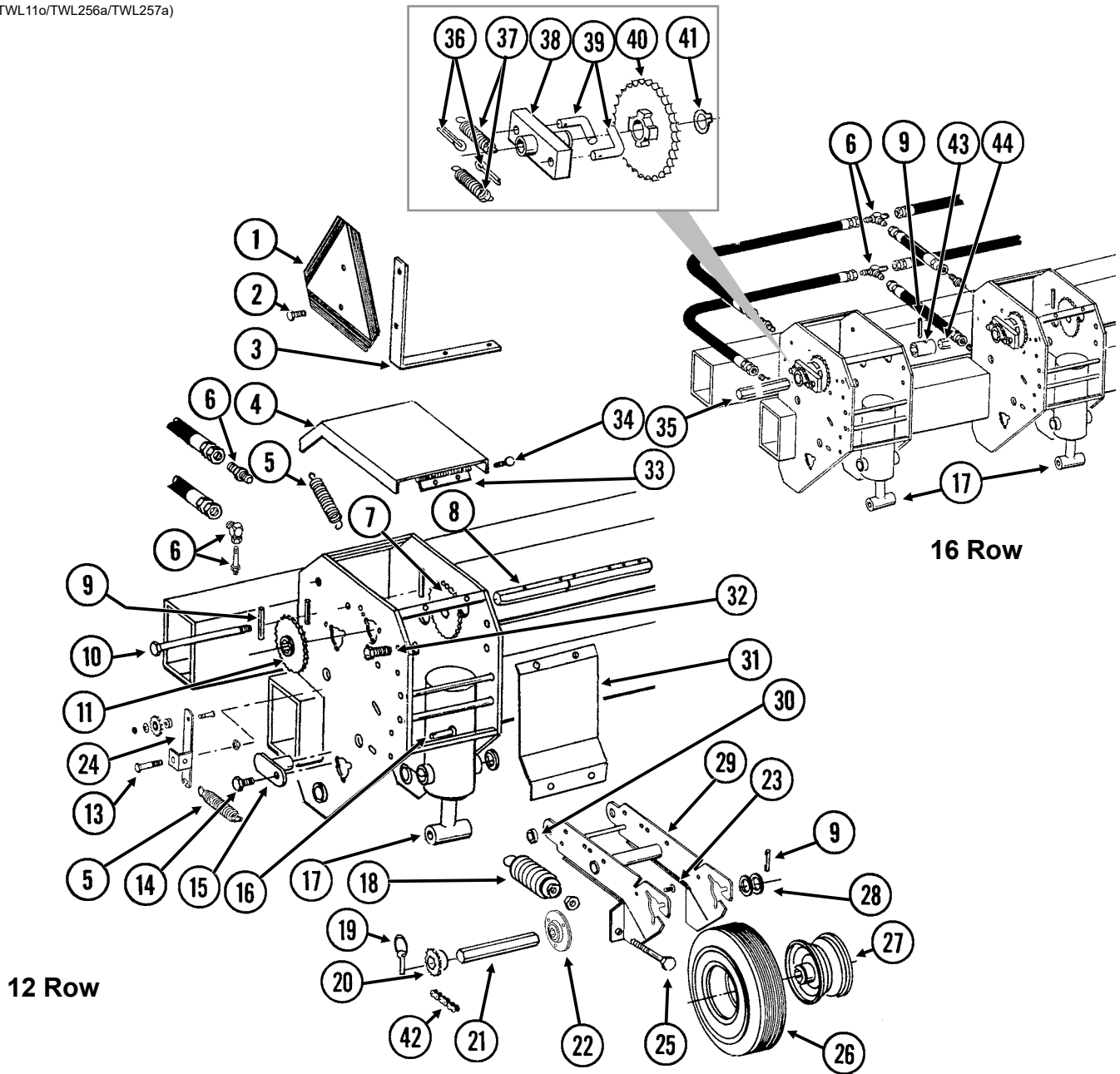
(IP1310)

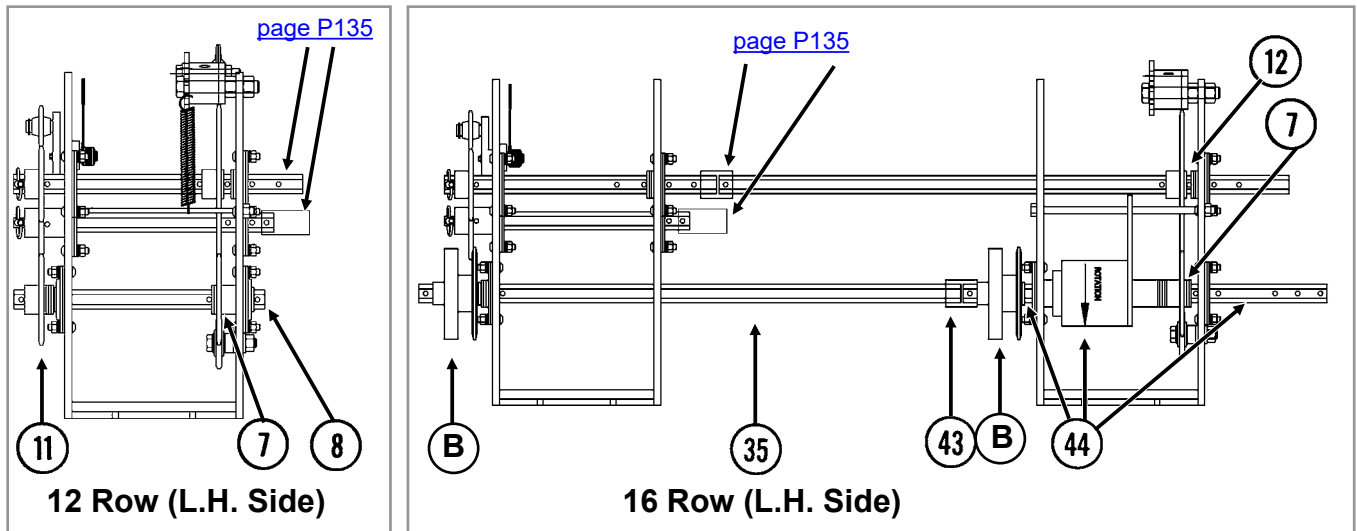


ITEM	PART NO.	QTY. (Per Assy.)	DESCRIPTION
1	GA14349	1	Wheel Module
2	GD20461	1	Pin, 1¼" x 13"
3	G11400	2	Retaining Ring, 1¼"
4	GD5841	1	Pin, 1¼" x 5⅝"
	G11396	2	Flat Washer, 1¼" SAE
	G10460	2	Cotter Pin, ¼" x 2"
5	GD20456	1	Short Scraper Arm
6	G10636	2	Carriage Bolt, ½"-13 x 1½"
	G10071	2	Serrated Flange Nut, ½"-13
7	GD34178	1	Slotted Scrapper
8	G10026	3	Hex Head Cap Screw, ¾"-10 x 2"
	G10231	2	Lock Washer, ¾"
9	G11314	1	Serrated Flange Nut, ¾"-10
10	G11081	2	Hex Jam Nut, 1½"-12, Grade 2
11	GA24825	2	Bearing
12	GA24826	1	Hub W/Cups, 6 Bolt
	GR0434	2	Cup (Included W/GA24826)
13	GA4376	1	Spindle W/Round External Retaining Ring, 10"
14	GD11490	1	Round External Retaining Ring
15	GD13401	1	Tire, 7.50" x 20", 8 Ply, Tubeless W/O Center Rib (Specify Brand*)
	GA7434	1	Valve Stem
16	GA14413	1	Rim, 5.5" x 20"
17	GR0270	6	Lug Bolt, ⅝"-18
A	GA14412	-	Tire And Rim Assembly (Specify Brand*) (Items 15 and 16)
B	GA24828	-	Hub And Spindle Assembly (Items 10-13)

**\*Specific brand requests will be supplied only as available from current Kinze Repair Parts stock. If a specific brand requested is not in stock, the brand available will be supplied.**

(TWL11o/TWL256a/TWL257a)





ITEM	PART NO.	QTY. (Per Assy.)	DESCRIPTION
1	GD2199	1	SMV Sign
2	G10064	2	Hex Head Cap Screw, ¼"-20 x 1"
	G10621	2	Serrated Flange Nut, ¼"-20
3	GD9969	1	Bracket
4	GD10298	1	Cover
5	GD5857	2	Spring
6	---	-	<a href="#">See "Hydraulic Hoses and Fittings on Planter Frame, 12 Row" on page P153</a> <a href="#">See "Hydraulic Hoses and Fittings on Planter Frame, 16 Row" on page P155</a>
7	---	-	<a href="#">See "Inner Module Drive" on page P137</a>
8	GD10543	1	Hex Shaft, 7/8" x 13", <a href="#">See "Point Row Clutch" on page P139</a> (For 12 Row Machines Equipped With Point Row Clutches)
9	G10602	4	Spring Pin, ¼" x 1½"
10	G10595	-	Hex Head Cap Screw, 3/8"-16 x 10" (Used To Secure Point Row Clutch)
	G10108	-	Lock Nut, 3/8"-16
11	GA5114	1	Sprocket, 30 Tooth
12	G10233	2	Machine Bushing, 1", 10 Gauge
	G10345	2	Machine Bushing, 1", 14 Gauge
13	G10036	1	Hex Head Cap Screw, 5/8"-11 x 4"
	G10104	1	Hex Nut, 5/8"-11
	G10107	1	Lock Nut, 5/8"-11
14	G10017	2	Hex Head Cap Screw, ½"-13 x 1½"
	G11389	2	Flat Washer, ½" SAE
	G10111	2	Serrated Flange Nut, ½"-13
15	GA5121	2	Pin, 2 1/8"
16	G10870	1	Clevis Pin, 3/8" x 1"
	G10860	1	Retaining Ring, 3/8"
17	---	-	<a href="#">See "Wing Lift Cylinder, 12 Row" on page P167</a> <a href="#">See "Wing Lift Cylinder, 16 Row" on page P168</a>
18	GA2068	2	Spring W/Plug
19	GD2558	1	Lynch Pin, ¼"

ITEM	PART NO.	QTY. (Per Assy.)	DESCRIPTION
20	GA12192	1	Sprocket, 22 Tooth
	GA5113	1	Sprocket, 28 Tooth
	GA5114	-	Sprocket, 30 Tooth
	GA12191	-	Sprocket, 44 Tooth
	GA5105	-	Sprocket, 15 Tooth
21	GD6775	1	Hex Shaft, 7/8" x 11 3/4" (2 Holes)
22	GA9846	-	Flanged Bearing, 7/8" Hex Bore
23	G10303	6	Carriage Bolt, 5/16"-18 x 1"
	G10232	6	Lock Washer, 5/16"
	G10106	6	Hex Nut, 5/16"-18
24	GA9553	1	Idler W/Sprocket And Hardware, L.H. Side Of Planter
	GA9554	-	Idler W/Sprocket And Hardware, R.H. Side Of Planter
	GA7154	-	Sprocket W/Bearing, 18 Tooth (Included W/GA9553 and GA9554)
	G10017	-	Hex Head Cap Screw, 1/2"-13 x 1 1/2" (Included W/GA9553 and GA9554)
	G10128	-	Machine Bushing, 1/2", 14 Gauge (Included W/GA9553 and GA9554)
	G10501	-	Hex Jam Nut, 1/2"-13, Grade 2 (Included W/GA9553 and GA9554)
25	G11232	2	Hex Head Cap Screw, 1/2"-13 x 4", Grade 5
	G10501	2	Hex Jam Nut, 1/2"-13, Grade 2
26	GD4700	1	Tire, 4.80" x 8", 4 Ply, Rib Implement (Specify Brand*)
27	GA3553	1	Rim, 3.75" x 8"
	GD4701	-	Valve Stem
28	G10233	-	Machine Bushing, 1", 10 Gauge
29	GA7372	1	Wheel Arm
30	GB0218	2	Bushing, 2 1/32" I.D. x 7/8" O.D. x 1 9/32" Long
31	GD6895	1	Shield
32	G10004	2	Hex Head Cap Screw, 5/8"-11 x 1 1/4"
	G10235	6	Machine Bushing, 7/8", 14 Gauge
	G11391	2	Flat Washer, 5/8" SAE
	GB0218	2	Bushing, 2 1/32" I.D. x 7/8" O.D. x 1 9/32" Long
	G10107	2	Lock Nut, 5/8"-11
33	GA13790	1	Slip Joint Hinge Assembly
34	G10064	6	Hex Head Cap Screw, 1/4"-20 x 1"
	G10621	6	Serrated Flange Nut, 1/4"-20
35	GD10099	-	Hex Shaft, 7/8" x 29 5/8"
36	G10453	2	Cotter Pin, 3/16" x 1"
37	GD1256	2	Spring
38	GA0378	1	Block And Hub Assembly
39	GD1255	2	L-Pin
40	GA5165	1	Sprocket, 30 Tooth
41	G10430	1	External Retaining Ring, 1 1/4"
42	G3310-114	1	Chain, No. 40, 114 Pitch Including Connector Link (Used With 22 Tooth Sprocket)
	G3310-118	-	Chain, No. 40, 118 Pitch Including Connector Link (Used With 28 and 30 Tooth Sprocket)
	G3310-126	-	Chain, No. 40, 126 Pitch Including Connector Link (Used With 44 Tooth Sprocket)
	G3310-110	-	Chain, No. 40, 110 Pitch Including Connector Link (Used With 15 Tooth Sprocket)
	GR0912	-	Connector Link, No. 40
43	GD5212	1	Coupler, 1 3/4", 16 Row 30" Only
44	---	-	<a href="#">See "Point Row Clutch" on page P139</a>
A	GA3552	-	Tire And Rim Assembly (Items 26 And 27) (Specify Brand*)
B	GA5164	-	Ratchet/Sprocket Assembly, L.H. Side Of Planter (Items 36-41)
	GA9843	-	Ratchet/Sprocket Assembly, R.H. Side Of Planter (Items 36-41)

\* Specific brand requests will be supplied only as available from current Kinze Repair Parts stock. If a specific brand requested is not in stock, the brand available will be supplied. Different brand tires may have different diameters. Change in tire brand may affect rates. Field checks are recommended after any change in contact tires.



**This page left blank intentionally.**

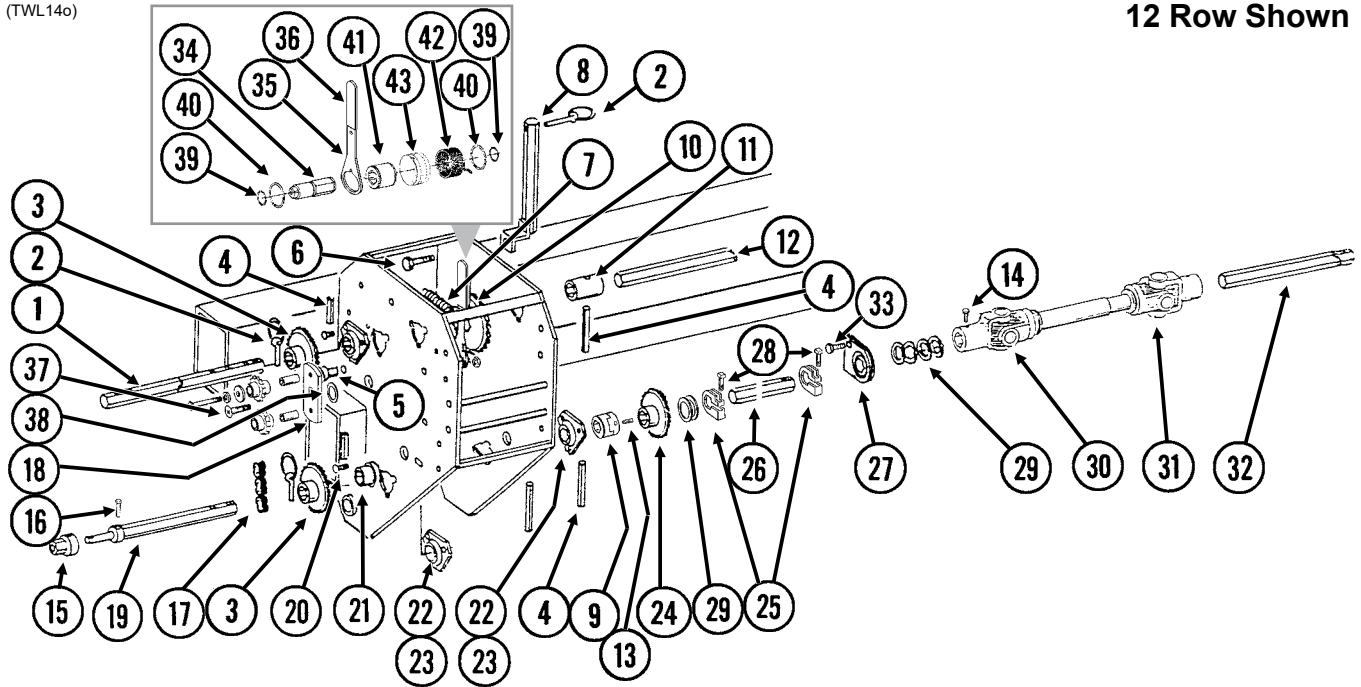
# Seed Rate Transmission and Row Unit Drill Shafts

Model 3605

M0303-02

(TWL14o)

12 Row Shown

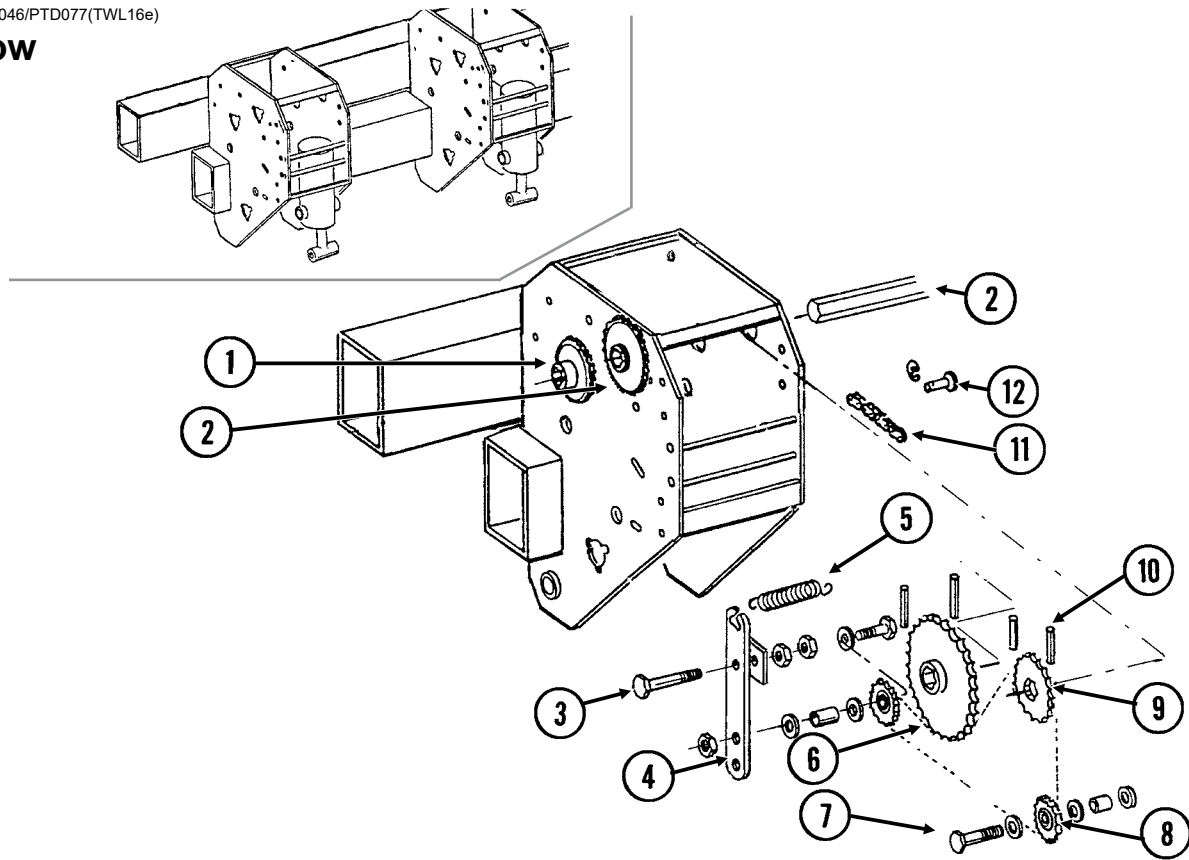


ITEM	PART NO.	QTY. (Per Side)	DESCRIPTION
1	GD6780	1	Shaft, 7/8" x 15"
2	GD2558	3	Lynch Pin, 1/4"
3	GA5105	1	Sprocket, 15 Tooth
	GA5106	1	Sprocket, 17 Tooth
	GA5107	2	Sprocket, 19 Tooth
	GA5108	2	Sprocket, 23 Tooth
	GA5109	1	Sprocket, 24 Tooth
	GA5110	1	Sprocket, 25 Tooth
	GA5111	1	Sprocket, 26 Tooth
	GA5112	1	Sprocket, 27 Tooth
	GA5113	1	Sprocket, 28 Tooth
	GA5114	1	Sprocket, 30 Tooth
4	G10602	-	Spring Pin, 1/4" x 1 1/2"
5	G10870	1	Clevis Pin, 3/8" x 1"
	G10860	1	Retaining Ring, 3/8"
6	G10583	1	Hex Head Cap Screw, 1/2"-13 x 2 3/4"
	GD4887-17	1	Sleeve, 1" O.D. x 9/16" I.D. x 1 1/8"
	G10527	2	Lock Washer, 1/2", Internal/External
	G10111	1	Lock Nut, 1/2"-13
7	GD5857	1	Spring
8	GA10832	1	Sprocket Storage Rod
9	GB0287	2	Coupler
10	---	-	<a href="#">See "Inner Module Drive" on page P137</a>
11	GD5212	1	Coupler, 1 3/4", 16 Row 30" Only
12	GD10100	1	Hex Shaft, 7/8" x 31 3/8", 16 Row 30" Only
13	G10131	4	Square Head Set Screw, 5/16"-18 x 3/4"
14	G10688	-	Square Head Set Screw, 3/8"-16 x 5/8"
15	GD7127	1	Shear Coupler
16	G10821	-	Clevis Pin, 3/16" x 2"
	G10455	-	Cotter Pin, 1/16" x 1/2"
17	G3310-80	1	Chain, No. 40, 80 Pitch Including Connector Link
	GR0912	-	Connector Link, No. 40

ITEM	PART NO.	QTY. (Per Side)	DESCRIPTION
18	GA7336	1	Idler W/Bolt-On Sprockets
	GD7426	-	Sprocket, 12 Tooth
	G10047	-	Hex Head Cap Screw, 3/8"-16 x 1 3/4"
	GD1026	-	Sleeve, 1 3/16" Long
	G11387	-	Flat Washer, 3/8" SAE
	G10229	-	Lock Washer, 3/8"
19	GD7612	1	Shaft, 7/8" x 13 3/4"
20	G10303	-	Carriage Bolt, 5/16"-18 x 1"
	G10620	-	Hex Nut, 5/16"-18
21	GA5548	1	Special Bearing
22	G3400-01	-	Flangette
23	G2100-03	-	Bearing, 7/8" Hex Bore, Spherical
24	GA8092	1	Clutch Sprocket Assembly, 19 tooth ( <a href="#">See "Split Row Unit Drive" on page P53</a> )
25	GD11045	-	Lock Clamp
26	GD0914-106.5	2	Hex Shaft, 7/8" x 106 1/2" (No Holes), Wing, 12 Row 30"
	GD0914-166.50	-	Hex Shaft, 7/8" x 166 1/2" (No Holes), Wing, 16 Row 30"
27	GA2180	-	Hanger Bearing, 7/8" Hex Bore
28	G10130	-	Square Head Machine Bolt, 5/16"-18 x 1 3/4"
	G10923	-	Flange Nut, 5/16"-18, No Serration
29	G10233	-	Machine Bushing, 1", 10 Gauge
30	GA7052	-	U-Joint W/Grease Fitting, Female, 10 1/4" Long, 12 Row 30" And 16 Row 30"
	GR1557	-	Grease Fitting, 45°, Metric (Included W/GA7052)
	GR1298	-	Inboard Yoke And Outer Profile (18 1/4" U-Joint)
	GR1297	-	Inboard Yoke And Outer Profile (10 1/4" U-Joint) (Included W/GA7052)
	GR1294	-	Cross And Bearing Kit (Included W/GA7052)
	GR1293	-	Yoke, 7/8" Hex (Included W/GA7052)
31	GA7051	-	U-Joint W/Grease Fitting, Male, 12 1/4" Long
	GR1557	-	Grease Fitting, 45°, Metric (Included W/GA7051)
	GR1296	-	Inner Profile (Included W/GA7051)
	GR1295	-	Inboard Yoke (Included W/GA7051)
	GR1301	-	Spring Pin, 8 mm x 50 mm (Included W/GA7051)
	GR1294	-	Cross And Bearing Kit (Included W/GA7051)
32	GD0914-45	1	Hex Shaft, 7/8" x 45" (No Holes), R.H. Main Frame, 12 Row 30" and 16 Row 30"
	GD0914-35	-	Hex Shaft, 7/8" x 35" (No Holes), L.H. Main Frame, 12 Row 30" and 16 Row 30"
	GD0914-38	-	Hex Shaft, 7/8" x 38" (No Holes), L.H. Main Frame, 12 Row 30" and 16 Row 30"
33	G10004	2	Hex Head Cap Screw, 3/8"-16 x 1 1/4"
	G10229	2	Lock Washer, 3/8"
	G10101	-	Hex Nut, 3/8"-16
34	GD14426	1	Tightener Shaft, 3 3/8"
35	GD14431	1	Handle
36	G11078	1	Vinyl Cap
37	G11100	1	Hex Socket Button Head Cap Screw, 1/4"-20 x 1/2", Grade 8
	G11453	1	Fender Washer, 1/4"
38	G10235	1	Machine Bushing, 7/8", 14 Gauge
39	G10496	2	External Inverted Snap Ring, 1 1/2"
40	G11075	2	External Inverted Snap Ring, 7/8"
41	GD14432	1	Sleeve, 1 1/4"
42	GD14414	1	Torsion Spring, R.H. (Used In L.H. Wrap Spring Wrench)(Shown)
	GD14413	-	Torsion Spring, L.H. (Used In R.H. Wrap Spring Wrench)
43	GD19344	-	Release Collar, Gray, L.H. (Shown)
	GD19343	1	Release Collar, Blue, R.H.
A	G1K381	-	Wrap Spring Wrench Replacement Kit, Gray Collar, L.H. (Items 34-43) (Shown)
	G1K380	-	Wrap Spring Wrench Replacement Kit, Blue Collar, R.H. (Items 34-43)

PTD058/PFA046/PTD077(TWL16e)

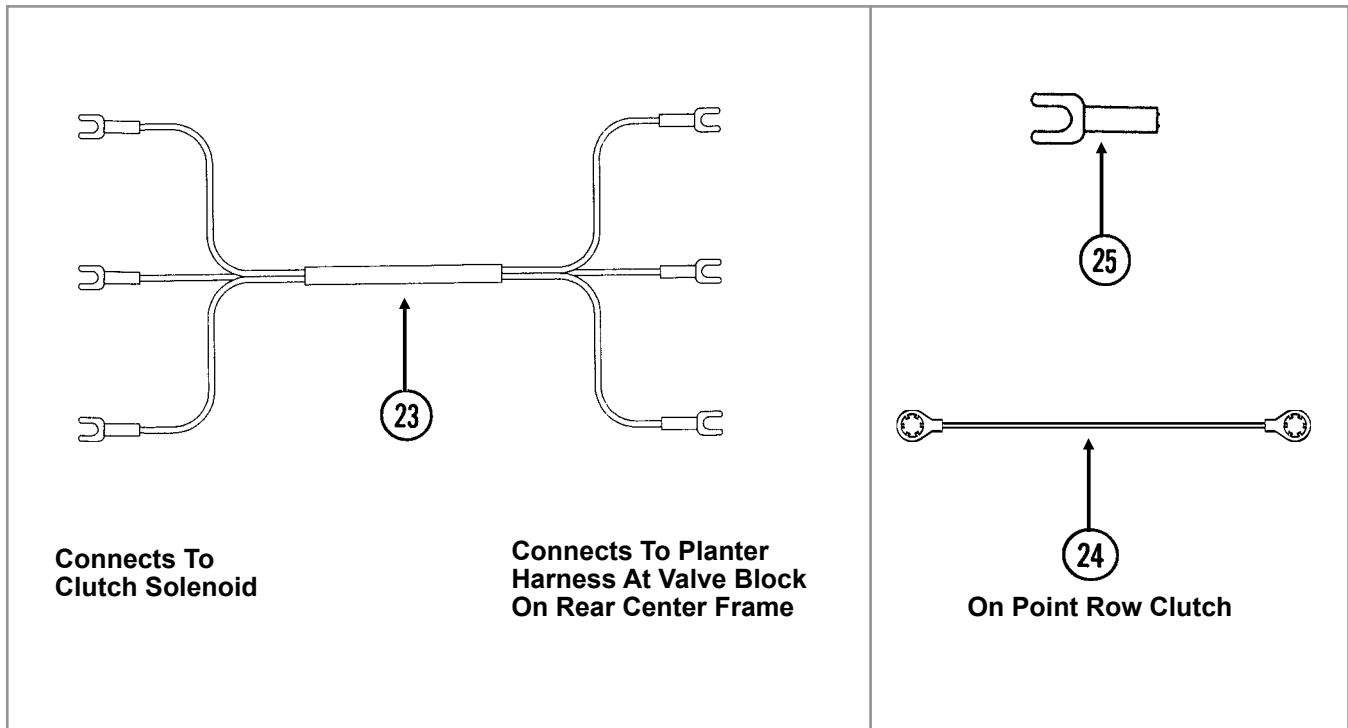
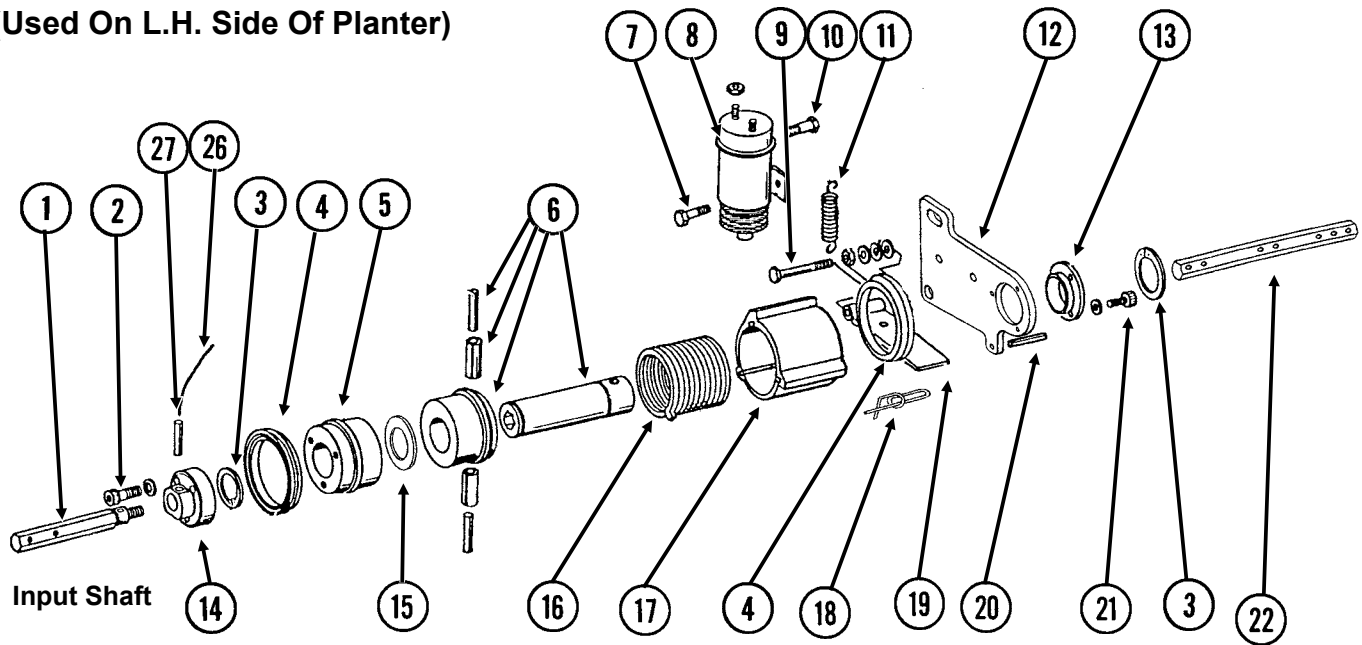
**16 Row**



ITEM	PART NO.	QTY. (Per Module)	DESCRIPTION
1	---	-	<a href="#">See "Seed Rate Transmission and Row Unit Drill Shafts" on page P135</a>
2	---	-	<a href="#">See "Contact Wheel and Drive Shaft(s)" on page P131</a>
3	G10743	1	Hex Head Cap Screw, 5/8"-11 x 3 3/4"
	G10918	3	Machine Bushing, 5/8", 14 Gauge (As Required)
	G10503	1	Hex Jam Nut, 5/8"-11, Grade 2
	G10107	1	Lock Nut, 5/8"-11
4	GA9558	1	Idler W/Sprocket And Hardware, L.H. Side Of Planter
	GA9557	-	Idler W/Sprocket And Hardware, R.H. Side Of Planter
	GA7154	-	Sprocket W/Bearing, 18 Tooth (Included W/GA9558 and GA9557)
	G10038	-	Hex Head Cap Screw, 1/2"-13 x 3" (Included W/GA9558 and GA9557)
	GD4887-17	-	Sleeve, 1 O.D. x 9/16" I.D. x 1 1/8"
	G11389	-	Flat Washer, 1/2" SAE (Included W/GA9558 and GA9557)
	G10111	-	Lock Nut, 1/2"-13 (Included W/GA9558 and GA9557)
5	GD5857	1	Spring
6	GA5194	1	Sprocket, 50 Tooth
7	G10581	1	Hex Head Cap Screw, 1/2"-13 x 2 1/4"
	GD7889	1	Bushing, 1" O.D. x 9/16" I.D. x 7/16" Long
	G10168	2	Machine Bushing, 1/2", 7 Gauge
	G11391	2	Flat Washer, 5/8" SAE
	G10111	1	Lock Nut, 1/2"-13
8	GA7154	1	Sprocket W/Bearing, 18 Tooth
9	GA5113	1	Sprocket, 28 Tooth
10	G10602	-	Spring Pin, 1/4" x 1 1/2"
11	G3310-100	1	Chain, No. 40, 100 Pitch Including Connector Link
	GR0912	-	Connector Link, No. 40
12	G10870	1	Clevis Pin, 3/8" x 1"
	G10860	1	Retaining Ring, 3/8"

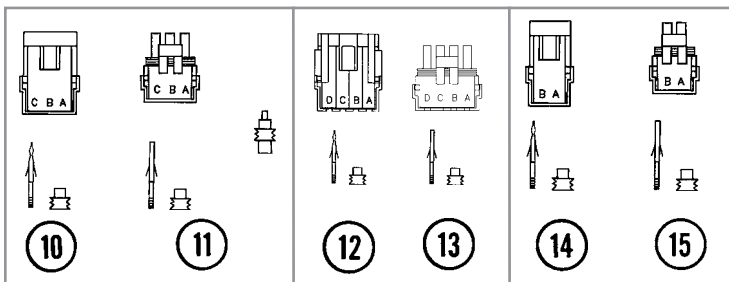
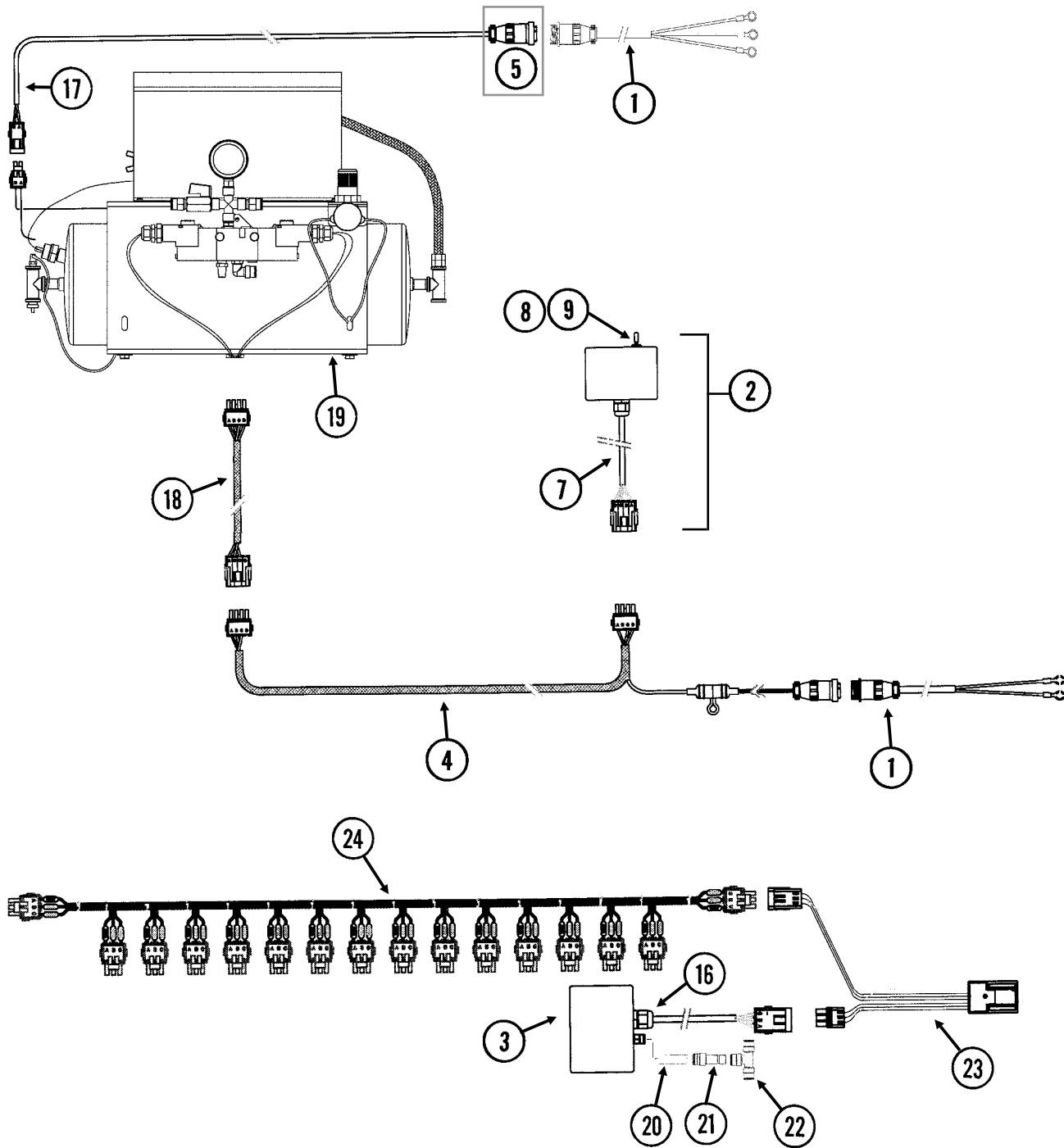
PRC019(TWL70d/TWL71d/TWL71/TWL18/A10054)

**L.H. Point Row Clutch Shown  
(Used On L.H. Side Of Planter)**



ITEM	PART NO.	QTY. (Per Assy.)	DESCRIPTION
1	GD10068	1	Input Shaft, R.H. Threads (Shown)
	GD10069	1	Input Shaft, L.H. Threads
2	G10374	3	Hex Socket Head Cap Screw, ¼"-20 x 1"
	G10227	3	Lock Washer, ¼"
3	G10496	2	External Inverted Snap Ring, 1½"
4	GD14512	2	V-Ring Seal
5	GD10104	1	Input Hub
6	GA7137	1	Hub/Sleeve Assembly W/Spring Pins
	G11934	2	Coiled Spring Pin, ¼" x 1" (Included W/GA7137)
7	G10023	1	Hex Head Cap Screw, ¼"-20 x ¾"
	G10227	1	Lock Washer, ¼"
	G10103	1	Hex Nut, ¼"-20
8	GA8393	1	Solenoid Complete
	GR1306	1	Snap Ring (Included W/GA8393)
	GR1303	1	Spring (Included W/GA8393)
	GR1304	1	Boot (Included W/GA8393)
	GR1305	1	Plunger (Included W/GA8393)
9	G10939	1	Hex Head Cap Screw, ⅜"-16 x 2¼"
	G10101	1	Hex Nut, ⅜"-16
	G11387	1	Flat Washer, ⅜" SAE
	G10229	2	Lock Washer, ⅜"
	G10497	1	Hex Jam Nut, ⅜"-16, Grade 2
10	G10900	1	Hex Socket Head Cap Screw, ¼"-20 x 1¾", Grade 8
	G10227	1	Lock Washer, ¼"
	G10103	2	Hex Nut, ¼"-20
11	GD10123	1	Spring
12	GD10103	1	Mounting Plate
13	GD9667	1	Bushing
14	GD10070	1	Coupler W/R.H. Threads (Shown)
	GD10071	1	Coupler W/L.H. Threads
15	GD14513	1	Felt Washer
16	GD9671	-	Spring, L.H. (Shown)
	GD9672	-	Spring, R.H.
17	GD30903	1	Stop Collar
18	GD11120	1	Rue Ring Cotter, ⅝"
19	GD30902	1	Actuator Arm
20	G10859	1	Spring Pin, ⅜" x 2¼"
21	G10253	3	Hex Socket Head Screw, No. 10-32 x ½"
	G10257	3	Lock Washer, No. 10
22	GD10543	-	Hex Shaft, ⅞" x 13"
23	GA9479	1	Wiring Harness, 228", R.H. Side, 12 Row 30"
	GA9480	-	Wiring Harness, 264", L.H. Side, 12 Row 30"; R.H. Side, 16 Row 30"
	GA9482	-	Wiring Harness, 300", L.H. Side, 16 Row 30"
24	GA10054	-	Ground Cable, Green
25	G10996	-	Fork Terminal
26	GD13524-01	1	Lock Wire, 10", Stainless Steel
27	G10546	1	Spring Pin, ⅜" x 1¼"
A	GA7110	-	Point Row Clutch Assembly, R.H. (R.H. Side Of Machine) (Items 1-21, 24, 26 And 27)
	GA7111	-	Point Row Clutch Assembly, L.H. (L.H. Side Of Machine) (Items 1-21, 24, 26 And 27)

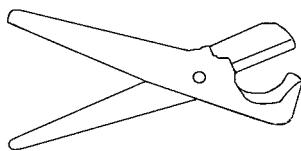
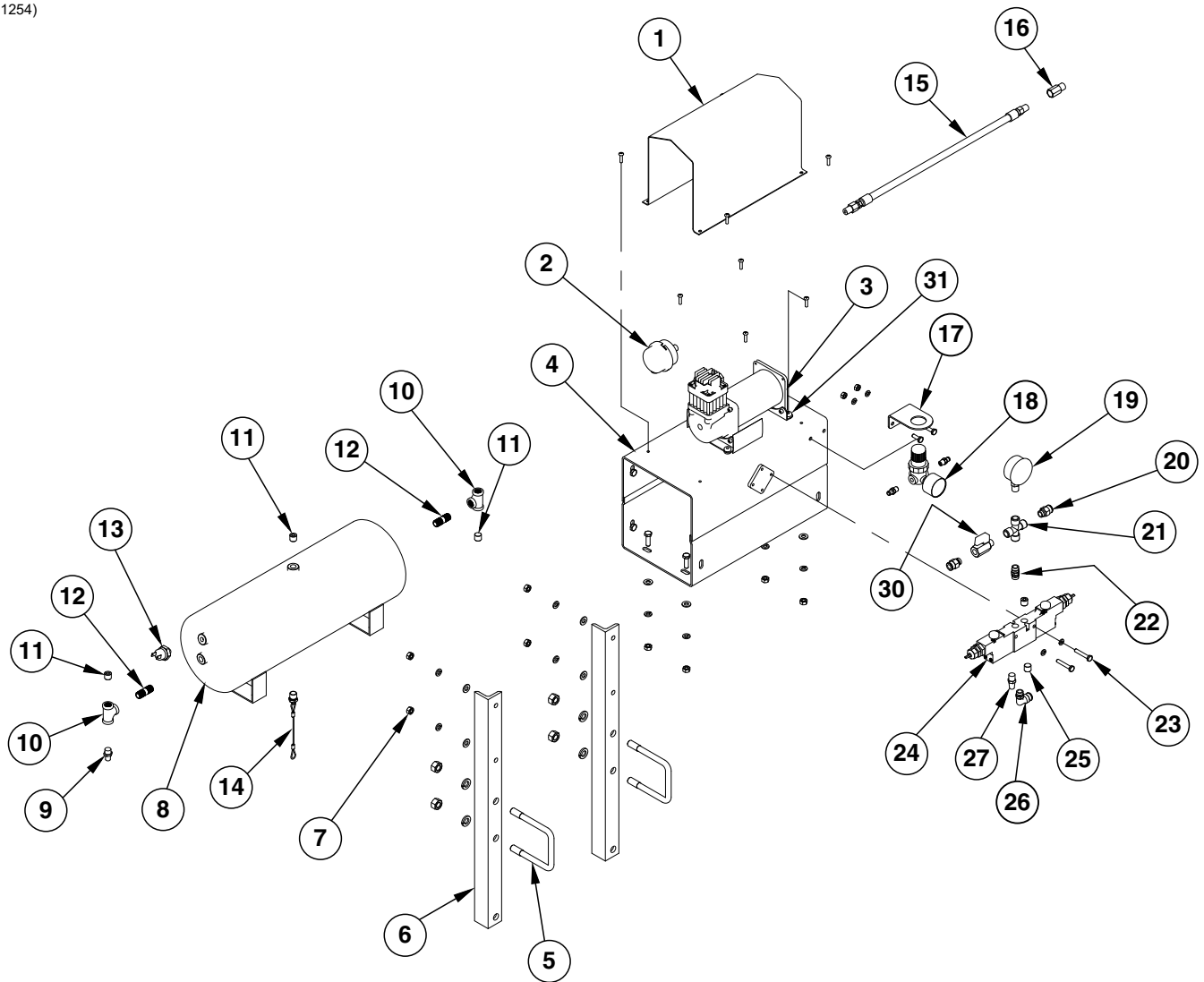
(PNE30b/MTR27a/ELC27b/MTR45/MTR271/PNE30e)



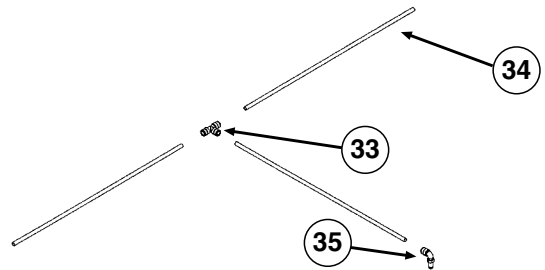


ITEM	PART NO.	QTY.	DESCRIPTION
1	GA17547	2	Power Adapter Cable
2	GA12813	1	Control Box Assembly
3	GA14846	1	High Pressure Sensor (0-120 PSI)
4	GA13944	1	Wiring Harness W/Fuse Holder And Fuse, 206"
	GD14258	-	Fuse Holder (Included W/GA13944)
	GD14660	-	Fuse, 2 Amp Delay Action (Included W/GA13944)
5	G1K268	-	Console Cable Connector Kit, Includes: (1) 3-Pin Connector, (1) Cable Clamp, (1) Lock Ring, (3) Female Terminal Pins
6	---	---	---
7	GA9964	1	Strain Relief
8	GR1363	1	Hex Face Nut, 1 <sup>5</sup> / <sub>32</sub> "-32
	GR1364	1	Internal Tooth Lock Washer, 1 <sup>5</sup> / <sub>32</sub> "
9	GA20765	1	Switch, 3 Position Toggle, Momentary On-Off-Momentary On
10	G1K248	-	3-Pin Female Connector Kit (Black), Includes: (3) 3-Pin Female Housings, (9) Pin Contacts, (9) Seals
11	G1K252	-	3-Pin Male Connector Kit (Black), Includes: (3) 3-Pin Male Housings, (9) Socket Contacts, (9) Seals
12	GA8328	-	4-Pin Female Connector Kit, Includes: (1) 4-Pin Female Housing, (4) Pin Contacts, (4) Seals
13	GA8329	-	4-Pin Male Connector Kit, Includes: (1) 4-Pin Male Housing, (4) Socket Contacts, (4) Seals
14	G1K321	-	2-Pin Female Connector Kit (Black), Includes: (3) 2-Pin Female Housings, (6) Pin Contacts, (6) Seals
15	G1K320	-	2-Pin Male Connector Kit (Black), Includes: (3) 2-Pin Male Housings, (6) Socket Contacts, (6) Seals
16	GA9964	2	Strain Relief
17	GA16392	1	Compressor Harness, 60'
	GD14258	-	Fuse Holder
	GD18275	-	Fuse, 20 Amp
18	GA12858	1	Wiring Harness, 60'
19	---		<a href="#">See "Air Compressor, Dual Solenoid Assembly, Tubing, and Fittings" on page P143</a>
20	GD17151-06	1	Nylon Tubing, 1/4" O.D. x 1 1/2'
21	GD18796	1	Reducer, 3/8" To 1/4"
22	GD18010	1	Tee, 3/8" Tube Union
23	GA12812	1	Hall Effect Adapter
24	---		<a href="#">See "Ag Leader PMM" on page P205</a>

(IP1254)



32

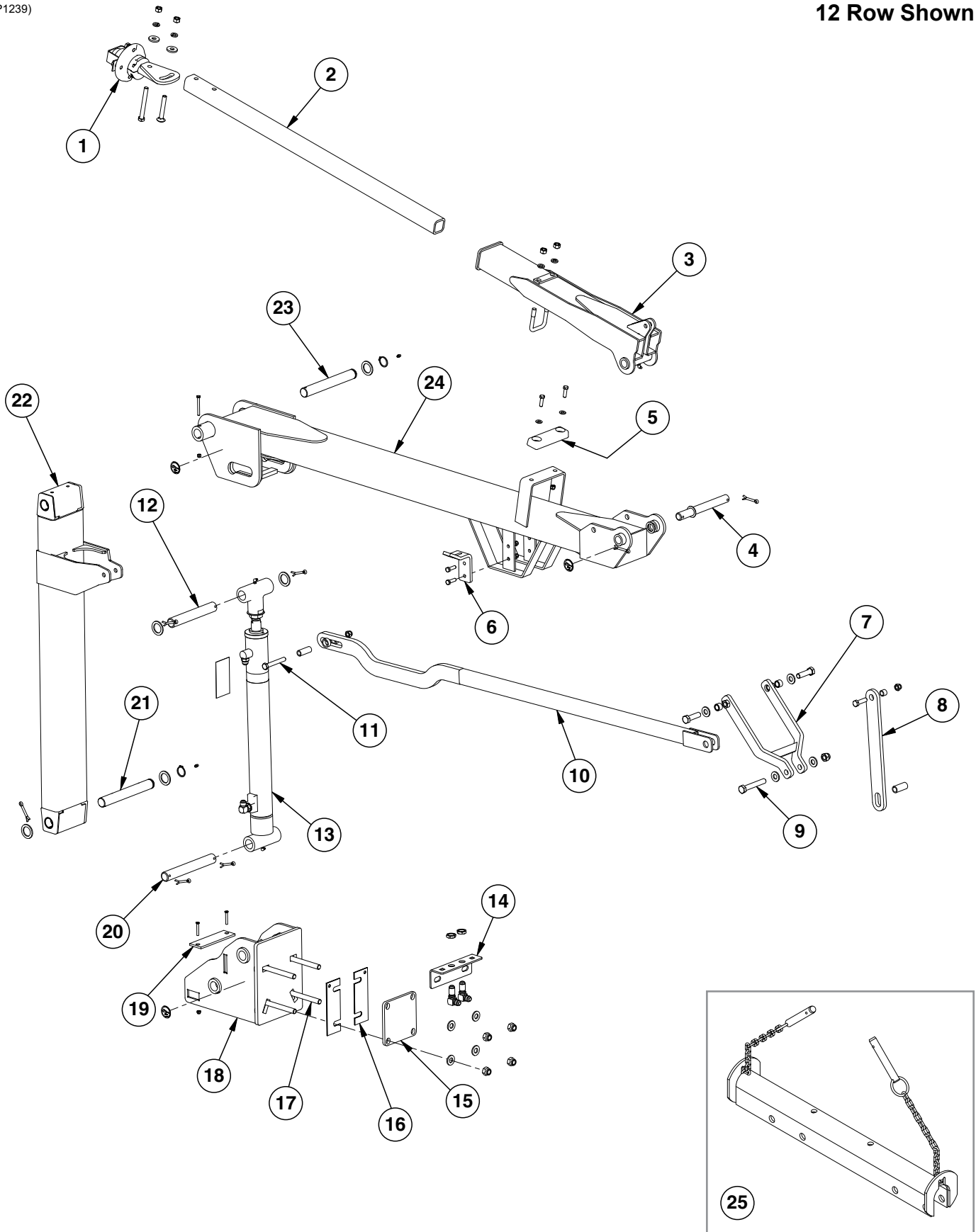


ITEM	PART NO.	QTY.	DESCRIPTION
1	GD18112	1	Cover
	G10992	8	Serrated Flange Nut, No. 10-24
	G11066	8	Phillips Pan Head Machine Screw, No. 10-24 x 3/4", Stainless Steel
2	GA14127	1	Filter Assembly
	GR1943	-	Filter (Included W/GA14127)
3	GA22273	1	Air Compressor W/Harness
	G10992	4	Serrated Flange Nut, No. 10-24
	G11066	4	Phillips Pan Head Machine Screw, No. 10-24 x 3/4", Stainless Steel

ITEM	PART NO.	QTY.	DESCRIPTION
4	GA12358	1	Compressor Mount
	G10019	4	Hex Head Cap Screw, 5/16"-18 x 1"
	G10106	4	Hex Nut, 5/16"-18
	G10232	4	Lock Washer, 5/16"
	G11386	4	Flat Washer, 5/16" SAE
5	GD4743	2	U-Bolt, 3" x 3" x 1/2"-13
	G10228	4	Lock Washer, 1/2"
	G10102	4	Hex Nut, 1/2"-13
6	GD18119	2	Compressor Mount
7	G10019	4	Hex Head Cap Screw, 5/16"-18 x 1"
	G11386	4	Flat Washer, 5/16" SAE
	G10106	4	Hex Nut, 5/16"-18
	G10232	4	Lock Washer, 5/16"
8	GA11988	1	Tank, 3 Gallon
9	GA13512	1	Valve Stem, 1/4" NPT
10	GD19237	2	Tee, 1/4" NPT
11	GD17156	3	Plug, 1/4" NPT
12	GD19238	2	Nipple, 1/4" NPT
13	GR1778	1	Pressure Switch
14	GA11991	1	Drain, 1/4" NPT
15	GR1951	1	Leader Hose without Check Valve
16	GR1921	1	Check Valve
17	GD18084	1	Regulator Bracket
	G10023	2	Hex Head Cap Screw, 1/4"-20 x 3/4"
	G10227	4	Lock Washer, 1/4"
	G10103	2	Hex Nut, 1/4"-20
18	GA12629	1	Mini Regulator W/Gauge
	GD19124	2	Connector, 1/4" x 1/8" NPT
19	GA21405	1	Pressure Gauge, 1/4" NPT
20	GD17141	2	Connector, 1/4" Male NPT
21	GD18078	1	Female Cross, 1/4" NPT
22	GD17154	1	Connector, 1/4" Male NPT
23	G10021	2	Hex Head Cap Screw, 1/4"-20 x 1 1/2"
24	GA22793	1	Dual Solenoid Air Valve
25	GD17156	2	Plug, 1/4" NPT
26	GD17143	1	Swivel Elbow, 1/4" NPT x 3/8"
27	GA11997	1	Breather, 1/4" NPT
28	---	-	---
29	---	-	---
30	GA11992	1	Shutoff Valve, 1/4" NPT
31	GR2233	4	Vibration Isolator Gromet, 4 Pack
32	GA13169	1	Tube Cutter W/Blade
	GR1843	-	Blade
33	GD18010	-	Tee, 3/8" Tube Union, Pull Row Unit (Pneumatic Down Pressure)
	GD18274	-	Tee, 3/8" x 1/8" NPT Extended, Push Row Unit (Pneumatic Down Pressure)
34	GD17150-03	-	Nylon Tubing, 3/8" O.D. x 64', 12 Row Pull Row Units (Pneumatic Down Pressure)
	GD17150-04	-	Nylon Tubing, 3/8" O.D. x 86', 16 Row Pull Row Units (Pneumatic Down Pressure)
	GD17150-08	-	Nylon Tubing, 3/8" O.D. x 60', 11 Row Push Row Units (Pneumatic Down Pressure)
	GD17150-09	-	Nylon Tubing, 3/8" O.D. x 82', 15 Row Push Row Units (Pneumatic Down Pressure)
	GD17150-12	-	Nylon Tubing, 3/8" O.D. x 5', Even-Row Push Row Unit (Pneumatic Down Pressure)
35	GD18011	-	Elbow, 3/8" x 1/8" NPT Extended, Pull Row Unit (Pneumatic Down Pressure)
A	GA12626	-	Air Compressor Assembly (Items 1-4, 8-14, and 25)
B	GA11995	-	Dual Solenoid Assembly (Items 19-22 and 24-30) (Only applicable with pneumatic down pressure option)

(IP1239)

12 Row Shown

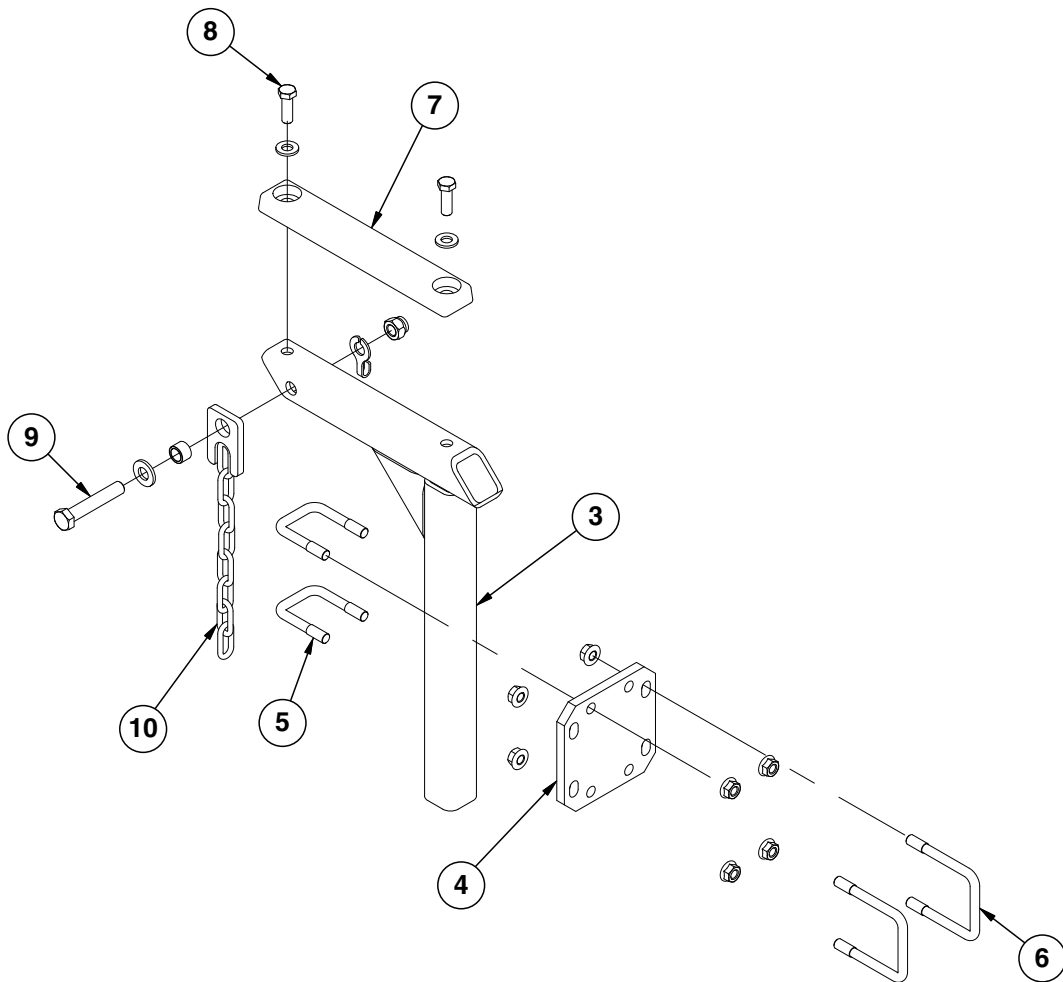


ITEM	PART NO.	QTY. (Per Assy.)	DESCRIPTION
1	GA26909	1	<a href="#">See "Row Marker Spindle/Hub/Blade" on page P149</a>
	G10168	2	Machine Bushing, 1/2", 7 Gauge
	G10045	1	Hex Head Cap Screw, 1/2"-13 x 4 1/2"
	G10844	1	Carriage Bolt, 1/2"-13 x 3 1/2"
	G10228	2	Lock Washer, 1/2"
	G10102	2	Hex Nut, 1/2"-13
2	GD0453-07	1	Extension Tube, 45", 12 Row
	GD0453-03	-	Extension Tube, 50", 16 Row
	GD0453-04	-	Extension Tube, 60", 12 Row Even-Row
	GD0453-08	-	Extension Tube, 65", 16 Row Even-Row
3	GA13994	1	Arm, Third Stage, 12 Row
	GA13114	-	Arm, Third Stage, 16 Row
	G10643	-	Grease Fitting, 45°, 1/4"-28
	GD2721	1	U-Bolt, 2" x 2" x 1 1/2"-13
	G10228	2	Lock Washer, 1/2"
	G10102	2	Hex Nut, 1/2"-13
4	GD18889	1	Pin, 1" x 9/4"
	G10460	2	Cotter Pin, 1/4" x 2"
	G10345	2	Machine Bushing, 1", 14 Gauge
5	GA9145	1	Molded Stop, 6 1/4" Long
	G10004	2	Hex Head Cap Screw, 3/8"-16 x 1 1/4"
	G11387	2	Flat Washer, 3/8" SAE
	G10108	2	Lock Nut, 3/8"-16
6	GD18540	1	Lock-up Chain Bracket
	G10004	2	Hex Head Cap Screw, 3/8"-16 x 1 1/4"
	G10108	2	Lock Nut, 3/8"-16
7	GA13764	1	Linkage
	G11391	2	Flat Washer, 5/8" SAE
	G10006	2	Hex Head Cap Screw, 5/8"-11 x 2 1/4"
	GB0218	2	Bushing, 2 1/32" I.D. x 7/8" O.D. x 1 9/32" Long
	G10107	2	Lock Nut, 5/8"-11
8	GD25189	1	Marker Link
	GD3180-34	1	Sleeve, 7/8" O.D. x 5/8" I.D. x 2"
	GD10538-07	1	Sleeve, 3/4" O.D. x 1/2" I.D. x 3/5"
	G10039	1	Hex Head Cap Screw, 1/2"-13 x 1 3/4"
	G10111	1	Lock Nut, 1/2"-13
9	G10036	1	Hex Head Cap Screw, 5/8"-11 x 4"
	G11391	2	Flat Washer, 5/8" SAE
	G10107	1	Lock Nut, 5/8"-11
10	GA17399	1	Marker Link, 66 3/4", 12 Row
	GA17400	-	Marker Link, 113 1/4", 16 Row
11	G10033	1	Hex Head Cap Screw, 1/2"-13 x 3 1/2"
	GD19661-01	1	Sleeve, 3/4" O.D. x 5 1/100 I.D. x 2"
	GD16418-02	2	Sleeve, 1 1/8" O.D. x 1 3/16" I.D. x 1 1/25"
	G10111	1	Lock Nut, 1/2"-13
12	GD18815	1	Pin, 1 1/4" x 8.38"
	G10159	2	Washer, 1 7/8"
	G10460	2	Cotter Pin, 1/4" x 2"
13	GA21030	1	<a href="#">See "Row Marker Cylinder" on page P165</a>
	G6801-08	1	Elbow W/O-Ring, 90°, 3/4"-16 Male JIC To O-Ring
	GR1037	-	O-Ring
	G6400-08-04	1	Connector W/O-Ring, 3/4"-16 Male JIC To 7/16"-20 O-Ring
	GR1465	-	O-Ring
14	GD26024	1	Bulkhead Mount
	G306-08	2	Lock Nut, 3/4"-16
	G2701-08	2	Bulkhead Elbow, 90°, 3/4"-16 Male JIC
	G10107	4	Lock Nut, 5/8"-11

ITEM	PART NO.	QTY. (Per Assy.)	DESCRIPTION
15	GD13360	1	Plate, 6" x 6", 12 Row
	GD13359	-	Plate, 7" x 7", 16 Row
16	GD10792	4	Shim, 2½" x 7¼", 16 Gauge, 12 Row Only
17	G10011	4	Hex Head Cap Screw, ⅝"-11 x 5½"
	G11391	4	Flat Washer, ⅝" SAE
18	GA14361	1	Marker Mount
19	GD19491	1	Marker Mount Wear Pad
	G11319	2	Slotted Flat Head Machine Screw, ¼"-20 x 1¾"
	G11320	2	Lock Nut, ¼"-20, Grade B
20	GD31511	1	Hydraulic Cylinder Marker Arm Pin
	G10159	2	Washer, 1⅞", 10 Gauge (.1345")
	G11400	1	Retaining Ring, 1¼"
	G10640	1	Grease Fitting, ¼"-28
	G10460	2	Cotter Pin, ¼" x 2"
21	GD21143	1	Marker Pin, 1¼" x 9½", 12 Row 30" and 16 Row 30"
	GD10186		Marker Pin, 1¼" x 9½", 12 Row 36"/38"
	G11400	1	Retaining Ring, 1¼"
	G10640	1	Grease Fitting, ¼"-28
22	GA13487	1	Arm, First Stage
	G10403	1	Hex Head Cap Screw, ¼"-20 x 2½"
	G11320	1	Lock Nut, ¼"-20, Grade B
	GD11751		Steel Bushing, 1" Wide
23	GD21142	1	Marker Pin, 1¼" x 11 <sup>59</sup> / <sub>64</sub> "
	G11400	1	Retaining Ring, 1¼"
	G10640	1	Grease Fitting, ¼"-28
	G11320	1	Lock Nut, ¼"-20, Grade B
	G10403	1	Hex Head Cap Screw, ¼"-20 x 2½"
24	GA17401	1	Arm W/Grease Fitting, Second Stage, 12 Row
	GA17402	-	Arm W/Grease Fitting, Second Stage, 16 Row
25	GA24754	1	Cylinder Lock-Up
	G10536	2	Detent Pin, ½" x 2½" Grip

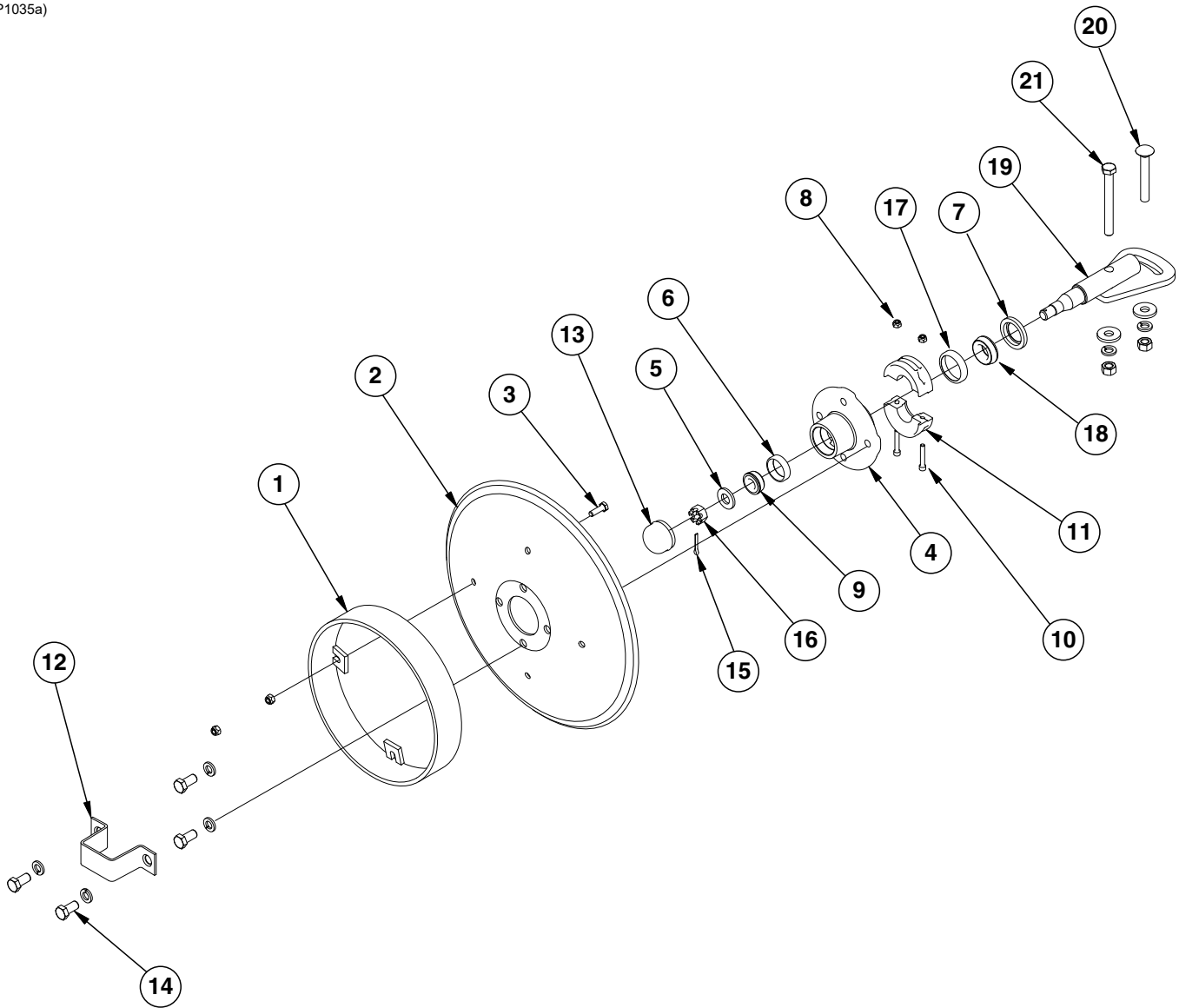
(IP1260)

L.H. Shown



ITEM	PART NO.	QTY. (Per Assy.)	DESCRIPTION
1	---	-	---
2	---	-	---
3	GA14402	1	Marker Stand
4	GD9981	1	Marker Stand Bar
5	GD2721	2	U-Bolt, 2" x 2" x 1/2"-13
	G10071	4	Serrated Flange Nut, 1/2"-13
6	GD4743	2	U-Bolt, 3" x 3" x 1/2"-13
	G10071	4	Serrated Flange Nut, 1/2"-13
7	GA9088	1	Molded Stop, 12 1/4" Long
8	G10017	2	Hex Head Cap Screw, 1/2"-13 x 1 1/2"
	G11389	2	Flat Washer, 1/2" SAE
	G10111	2	Lock Nut, 1/2"-13
9	G10743	1	Hex Head Cap Screw, 5/8"-11 x 3 3/4"
	G11391	1	Flat Washer, 5/8" SAE
	GB0218	1	Bushing, 2 1/32" I.D. x 7/8" O.D. x 1 9/32" Long
	GD10088	1	Special Washer
	G10107	1	Lock Nut, 5/8"-11
10	GA13340	1	Chain Lockup

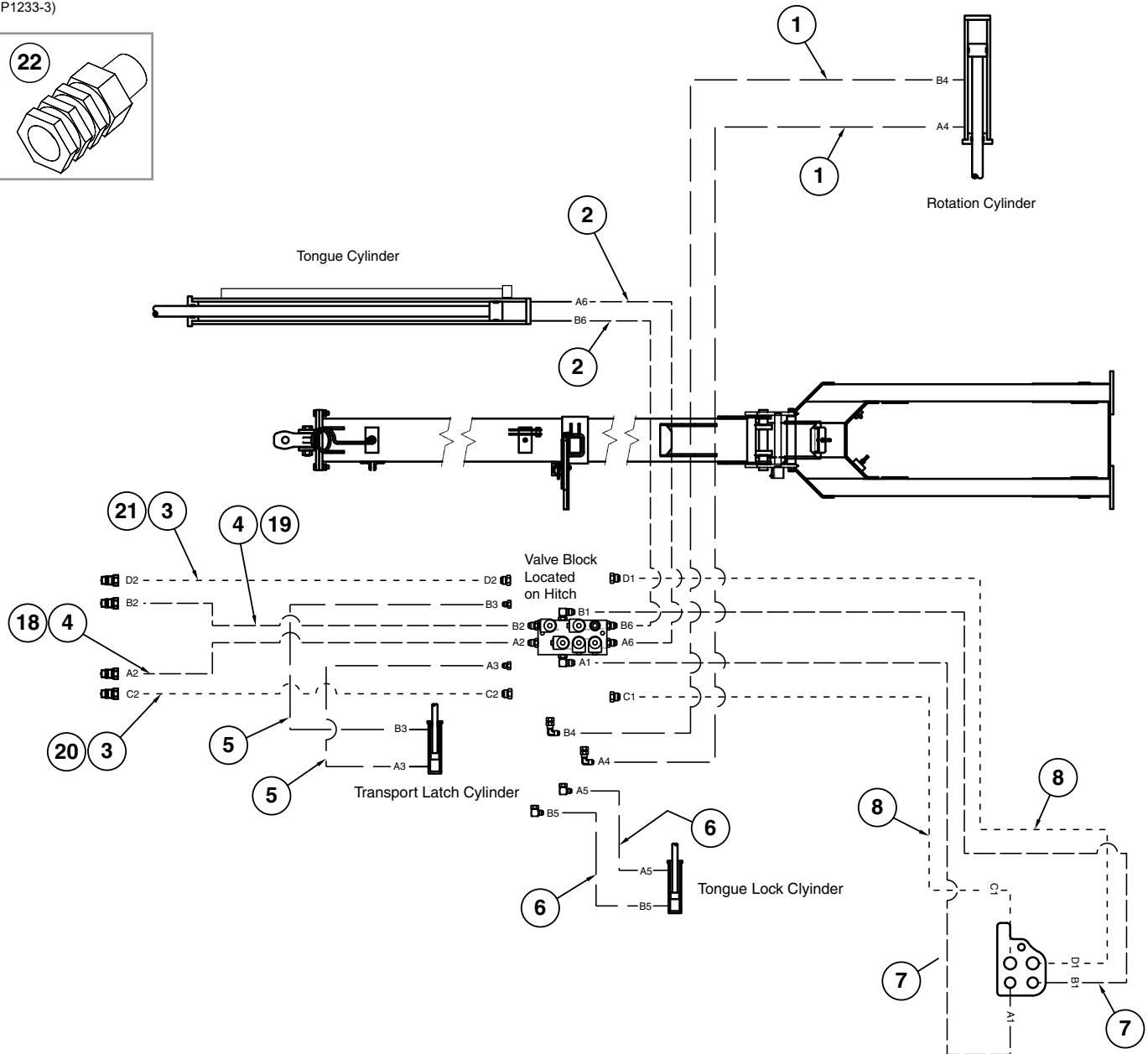
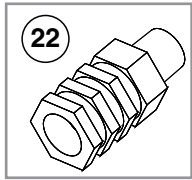
(IP1035a)



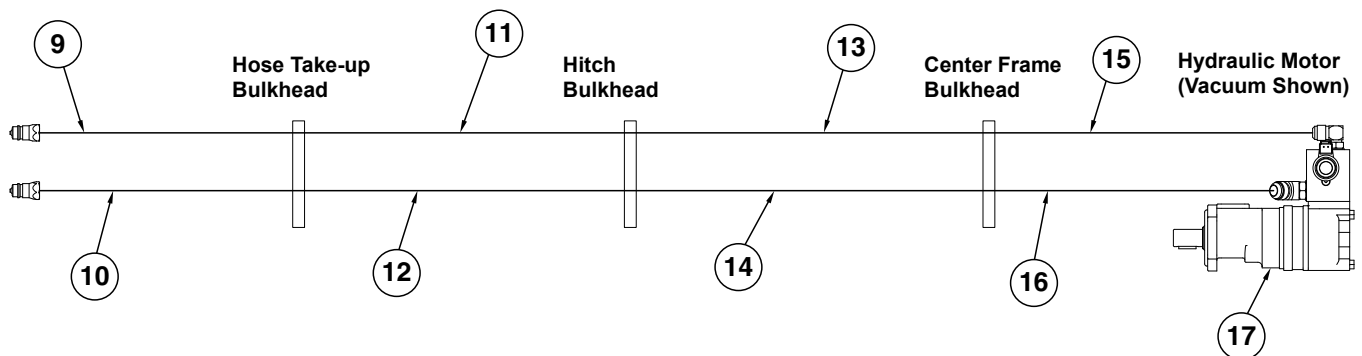


ITEM	PART NO.	QTY. (Per Assy.)	DESCRIPTION
1	GA5853	1	Depth Band
2	GD0746	1	Disc Blade, Solid, 16" (Shown)
	GD10283	-	Disc Blade, Notched, 16" (Optional)
3	G10019	4	Hex Head Cap Screw, 5/16"-18 x 1"
	G10109	4	Lock Nut, 5/16"-18, Grade 8
4	GD26876	1	Hub W/Cups, 4 Bolt (Includes Items 6 and 17)
5	G11391	1	Flat Washer, 5/8" SAE
6	GR0151	1	Outer Cup
7	GD21540	1	Grease Seal
8	G10110	2	Lock Nut, 1/4"-20, Grade B
9	GA0257	1	Bearing
10	G11418	2	Hex Socket Head Cap Screw, 1/4"-20 x 1 1/2"
11	GB0554	2	Hub Shield
12	GD2597	1	Retainer
13	GD0840	1	Dust Cap
14	G10722	4	Hex Head Cap Screw, 1/2"-20 x 1"
	G10228	4	Lock Washer, 1/2"
15	G10544	1	Cotter Pin, 5/32" x 1"
16	G10725	1	Slotted Hex Nut, 5/8"-18
17	GR0150	1	Inner Cup
18	GA0245	1	Bearing
19	GA15151	1	Spindle
20	G10844	1	Carriage Bolt, 1/2"-13 x 3 1/2"
	G10168	1	Machine Bushing, 1/2", 7 Gauge
	G10228	1	Lock Washer, 1/2"
	G10102	1	Hex Nut, 1/2"-13
21	G10045	1	Hex Head Cap Screw, 1/2"-13 x 4 1/2"
	G10168	2	Machine Bushing, 1/2", 7 Gauge
	G10228	2	Lock Washer, 1/2"
	G10102	2	Hex Nut, 1/2"-13
A	GA26909	-	Hub And Spindle Assembly, (Items 4-7, 9, and 12-19)

(IP1233-3)



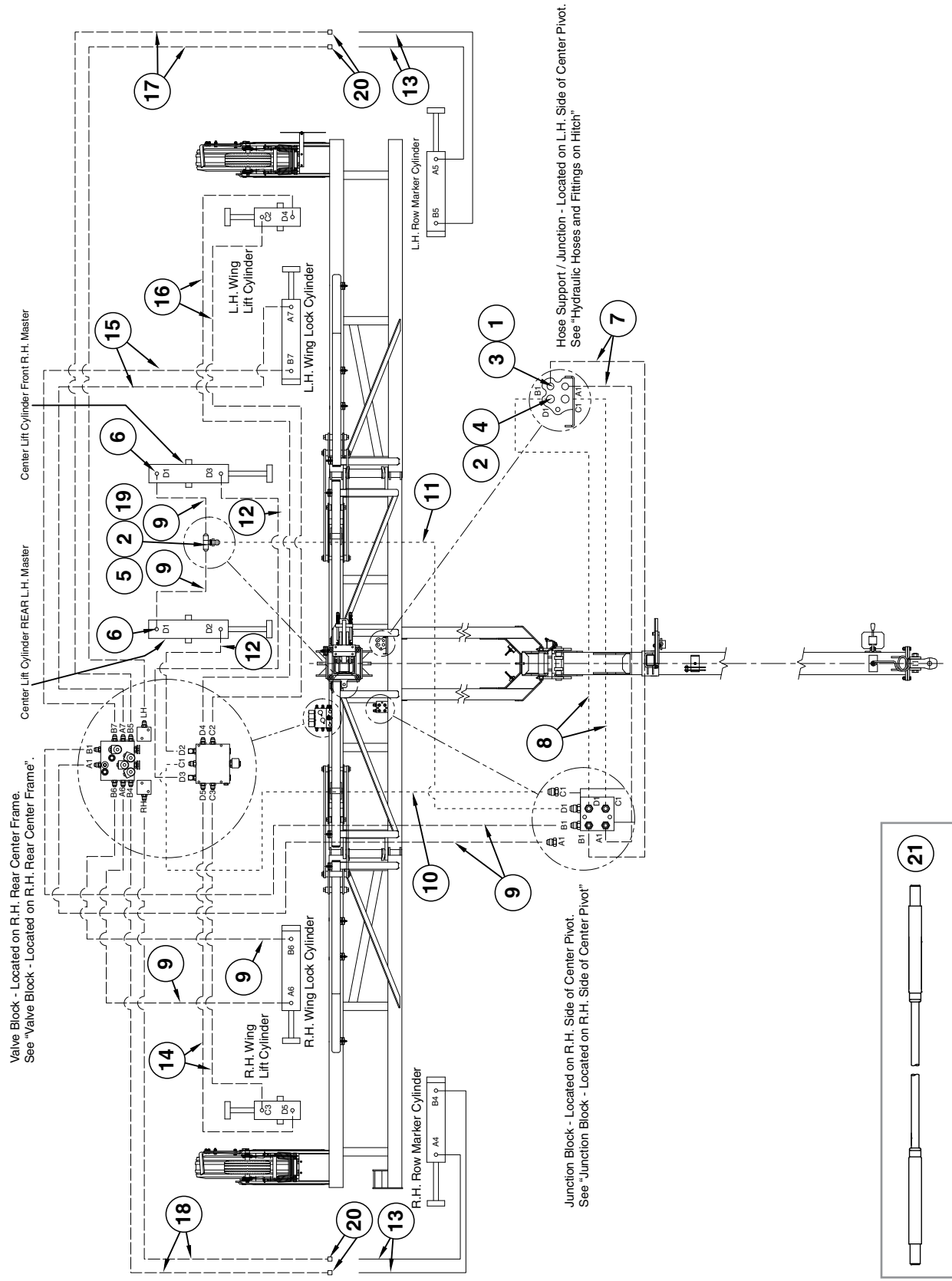
Hydraulic Drive



ITEM	PART NO.	QTY.	DESCRIPTION
1	*A1116	2	Hose Assembly, 1/4" x 136" (06F-06F)
2	*A3118	2	Hose Assembly, 3/8" x 80" (08F-08F)
3	*A18693-268	2	Hose Assembly, 1/2" x 268" (10F-1/2M NPTF W/Ext., W/Tip), 16 Row 30"
	*A18693-209	-	Hose Assembly, 1/2" x 209" (10F-1/2M NPTF W/Ext., W/Tip), 12 Row 30"
4	*A26936-269	2	Hose Assembly, 3/8" x 269" (08F-1/2M NPTF W/Ext., W/Tip), 16 Row 30"
	*A26936-209	-	Hose Assembly, 3/8" x 209" (08F-1/2M NPTF W/Ext., W/Tip), 12 Row 30"
5	*A1129	2	Hose Assembly, 1/4" x 168" (06F-06F), 16 Row 30"
	*A1171	-	Hose Assembly, 1/4" x 108" (06F-06F), 12 Row 30"
6	*A1139	2	Hose Assembly, 1/4" x 40" (06F-06F), 12 Row 30" and 16 Row 30"
7	*A1041	2	Hose Assembly, 3/8" x 130" (08F-08F)
8	*A1478	2	Hose Assembly, 1/2" x 128" (10F-10F)
9	*A12754	1	Hose Assembly, 1/2" x 206" (1/2M NPTF-10F), 12 Row 30"
	*A8266	1	Hose Assembly, 1/2" x 268" (1/2M NPTF-10F), 16 Row 30"
10	*A11449	1	Hose Assembly, 5/8" x 206" (1/2M NPTF-12F), 12 Row 30"
	*A11450	1	Hose Assembly, 5/8" x 266" (1/2M NPTF-12F), 16 Row 30"
11	*A12751	1	Hose Assembly, 1/2" x 142 1/2" (10F-10F)
12	*A11442	1	Hose Assembly, 5/8" x 137 1/2" (12F-12F)
13	*A1464	1	Hose Assembly, 1/2" x 72" (10F-10F)
14	*A11443	1	Hose Assembly, 5/8" x 73" (12F-12F)
15	*A12756	1	Hose Assembly, 1/2" x 97" (10F-10F)
16	*A11448	1	Hose Assembly, 5/8" x 100" (12F-12F)
17	---	-	<a href="#">See "Hydraulic Motor Assembly" on page P187</a>
18	GA26924-03	1	Hose Label/Cover, Blue (Extend)
19	GA26924-04	1	Hose Label/Cover, Blue (Retract)
20	GA26924-01	1	Hose Label/Cover, Red (Extend)
21	GA26924-02	1	Hose Label/Cover, Red (Retract)
22	GD36866	-	Fitting, 1/2"

\* Hydraulic hose is not stocked by Kinze Repair Parts.

(IP1317)

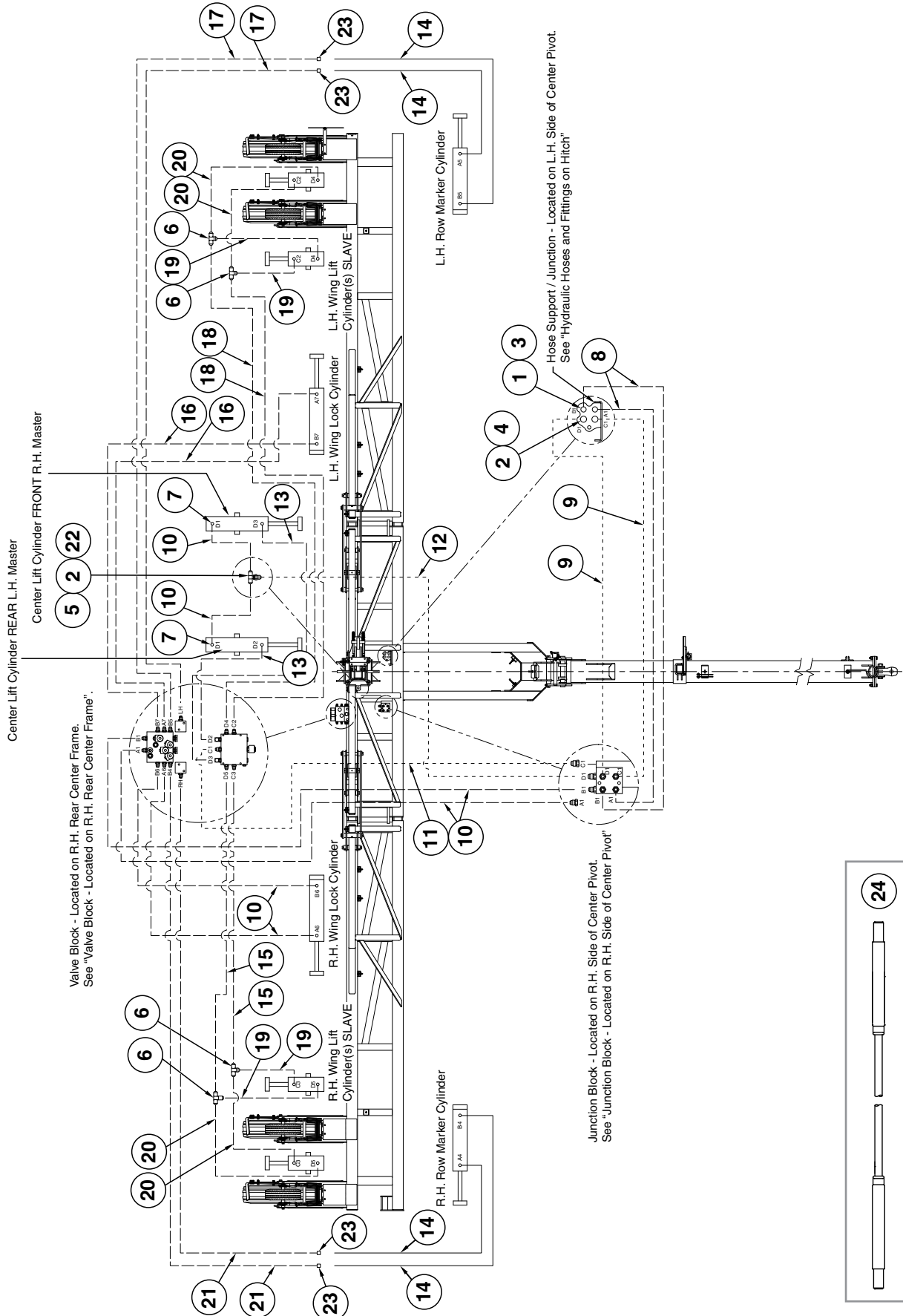


ITEM	PART NO.	QTY.	DESCRIPTION
1	G306-08	2	Lock Nut, 3/4"-16
2	G306-10	3	Lock Nut, 7/8"-14
3	G2700-08	2	Bulkhead Tube Union, 3/4"-16 Male JIC
4	G2700-10	2	Bulkhead Tube Union, 7/8"-14 Male JIC
5	G2703-08-08-10	1	Bulkhead Tee, 7/8"-14 Male JIC To 3/4"-16 JIC
6	G6400-08 GR1037	4 -	Connector W/O-Ring, 3/4"-16 Male JIC To O-Ring O-Ring
7	*A12090	2	Hose Assembly, 3/8" x 63"
8	*A8267	2	Hose Assembly, 1/2" x 58"
9	*A1076	6	Hose Assembly, 3/8" x 30"
10	*A1424	1	Hose Assembly, 1/2" x 30"
11	*A1404	1	Hose Assembly, 1/2" x 41"
12	*A3131	2	Hose Assembly, 3/8" x 42"
13	*A3158	4	Hose Assembly, 3/8" x 46"
14	*A25400-246	2	Hose Assembly, 3/8" x 246" (08F-08F)
15	*A1055	2	Hose Assembly, 3/8" x 66"
16	*A25400-296	2	Hose Assembly, 3/8" x 296" (08F-08F)
17	*A12042	2	Hose Assembly, 3/8" x 228"
18	*A3117	2	Hose Assembly, 3/8" x 176"
19	G10235	1	Machine Bushing, 7/8", 14 Gauge
20	G2408-08	4	Plug, 3/4"-16
21	GA6608	-	Cable Assembly

\* Hydraulic hose is not stocked by Kinze Repair Parts.

(IP1233-4)

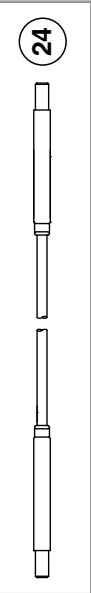
16 Row Shown



Valve Block - Located on R.H. Rear Center Frame. See "Valve Block - Located on R.H. Rear Center Frame".

Hose Support / Junction - Located on L.H. Side of Center Pivot. See "Hydraulic Hoses and Fittings on Hitch".

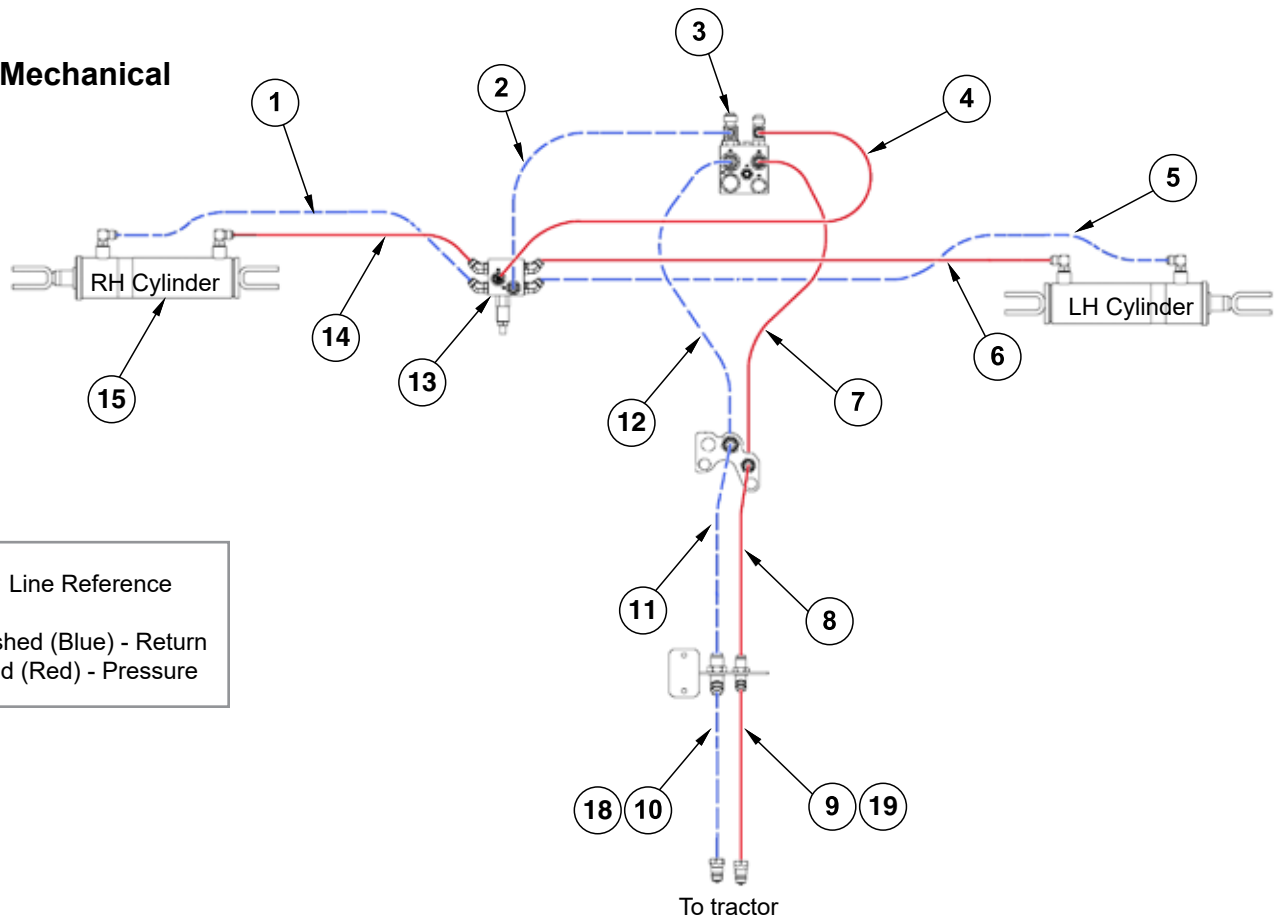
Junction Block - Located on R.H. Side of Center Pivot. See "Junction Block - Located on R.H. Side of Center Pivot".



ITEM	PART NO.	QTY.	DESCRIPTION
1	G306-08	2	Lock Nut, 3/4"-16
2	G306-10	3	Lock Nut, 7/8"-14
3	G2700-08	2	Bulkhead Tube Union, 3/4"-16 Male JIC
4	G2700-10	2	Bulkhead Tube Union, 7/8"-14 Male JIC
5	G2703-08-08-10	1	Bulkhead Tee, 7/8"-14 Male JIC To 3/4"-16 JIC
6	G2603-08	4	Tee, 3/4"-16 Male JIC
7	G6400-08 GR1037	4 -	Connector W/O-Ring, 3/4"-16 Male JIC To O-Ring O-Ring
8	*A12090	2	Hose Assembly, 3/8" x 63"
9	*A8267	2	Hose Assembly, 1/2" x 58"
10	*A1076	6	Hose Assembly, 3/8" x 30"
11	*A1424	1	Hose Assembly, 1/2" x 30"
12	*A1404	1	Hose Assembly, 1/2" x 41"
13	*A3131	1	Hose Assembly, 3/8" x 42"
14	A3158	4	Hose Assembly, 3/8" x 46"
15	*A1057	2	Hose Assembly, 3/8" x 216"
16	*A1055	2	Hose Assembly, 3/8" x 66"
17	*A1097	2	Hose Assembly, 3/8" x 288"
18	*A1034 *A1033	2 -	Hose Assembly, 3/8" x 272" Hose Assembly, 3/8" x 250"
19	*A3122	4	Hose Assembly, 3/8" x 10 1/2"
20	*A1018	4	Hose Assembly, 3/8" x 40"
21	*A12041	1	Hose Assembly, 3/8" x 244"
22	G10235	1	Machine Bushing, 7/8", 14 Gauge
23	G2408-08	4	Plug, 3/4"-16
24	GA6608	-	Cable Guide

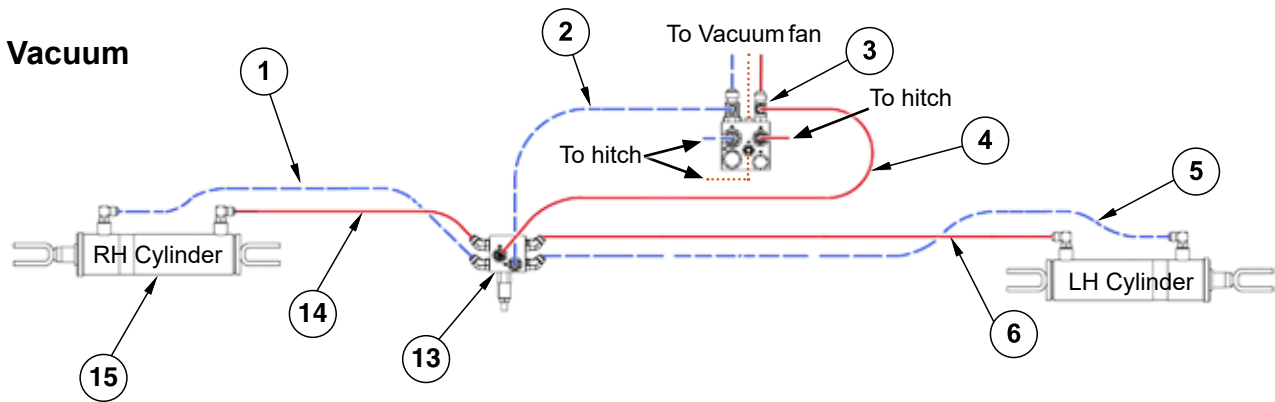
\* Hydraulic hose is not stocked by Kinze Repair Parts.

**Mechanical**

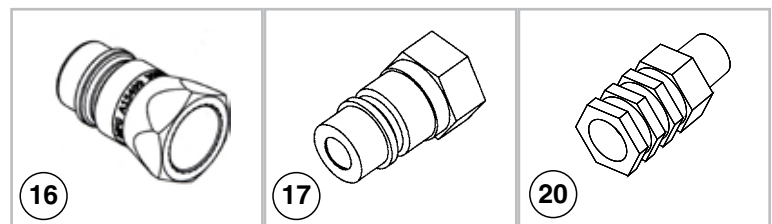


Line Reference  
Dashed (Blue) - Return  
Solid (Red) - Pressure

**Vacuum**



Line Reference  
Dashed (Blue) - Return  
Solid (Red) - Pressure  
Dotted (Orange) - Case Drain

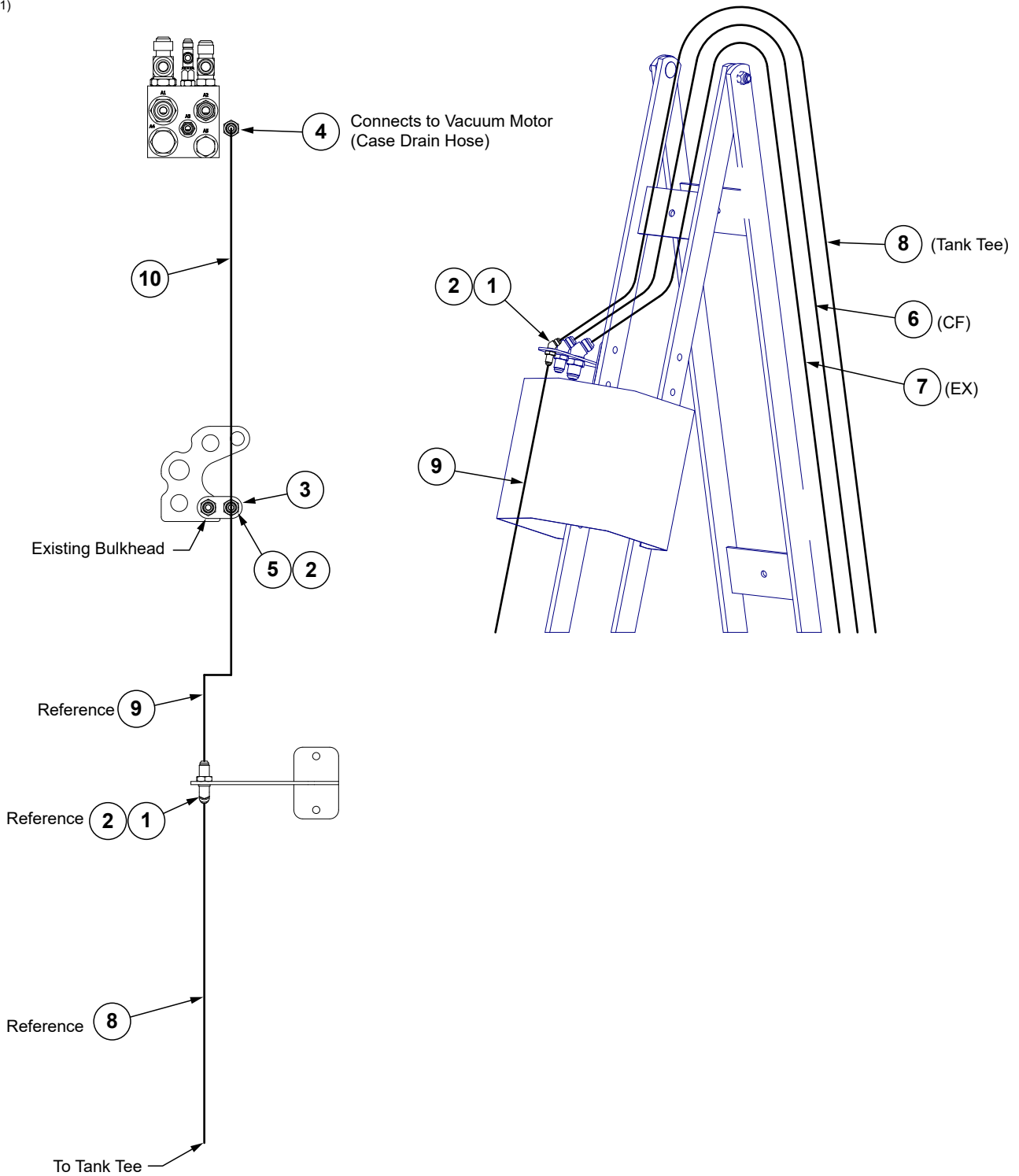




ITEM	PART NO.	QTY.	DESCRIPTION
1	*A1021	1	Hose Assembly, 3/8" x 56" (08F-08F)
2	*A12752	1	Hose Assembly, 1/2" x 23" (10F-12F)
3	---	-	<a href="#">See "Junction/Valve Blocks - Located on R.H. Rear Center Frame" on page P179</a>
4	*A12085	1	Hose Assembly, 3/8" x 26" (08F-10F)
5	*A12076	1	Hose Assembly, 3/8" x 165" (08F-08F)
6	*A3117	1	Hose Assembly, 3/8" x 176" (08F-08F)
7	*A1464	1	Hose Assembly, 1/2" x 72" (10F-10F)
8	*A12751	1	Hose Assembly, 1/2" x 142 1/2" (10F-10F)
9	*A18693-206	1	Hose Assembly, 1/2" x 206" (10F-1/2M NPTF W/Ext., W/Tip), 12 Row
	*A18693-268	-	Hose Assembly, 1/2" x 268" (10F-1/2M NPTF W/Ext., W/Tip), 16 Row
10	*A21548-206	1	Hose Assembly, 5/8" x 206" (12F-1/2M NPTF W/Ext., W/Tip), 12 Row
	*A21548-266	-	Hose Assembly, 5/8" x 266" (12F-1/2M NPTF W/Ext., W/Tip), 16 Row
11	*A11442	1	Hose Assembly, 5/8" x 137 1/2" (12F-12F)
12	*A11443	1	Hose Assembly, 5/8" x 73" (12F-12F)
13	---	-	<a href="#">See "Wing Down Pressure Valve Block" on page P185</a>
14	*A3158	1	Hose Assembly, 3/8" x 46" (08F-08F)
15	---	-	<a href="#">See "Wing Down Pressure Cylinder" on page P174</a>
16	GA15499	-	Special Pioneer Coupler, Zero Pressure Return
	GD25522	-	Hydraulic Tip Cover
17	GD4086	-	ISO Coupler
18	GA26924-08	-	Hose Label/Cover, Yellow (Retract)
19	GA26924-07	-	Hose Label/Cover, Yellow (Extend)
20	GD36866	-	Fitting, 1/2"

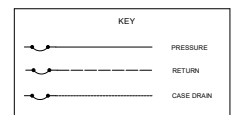
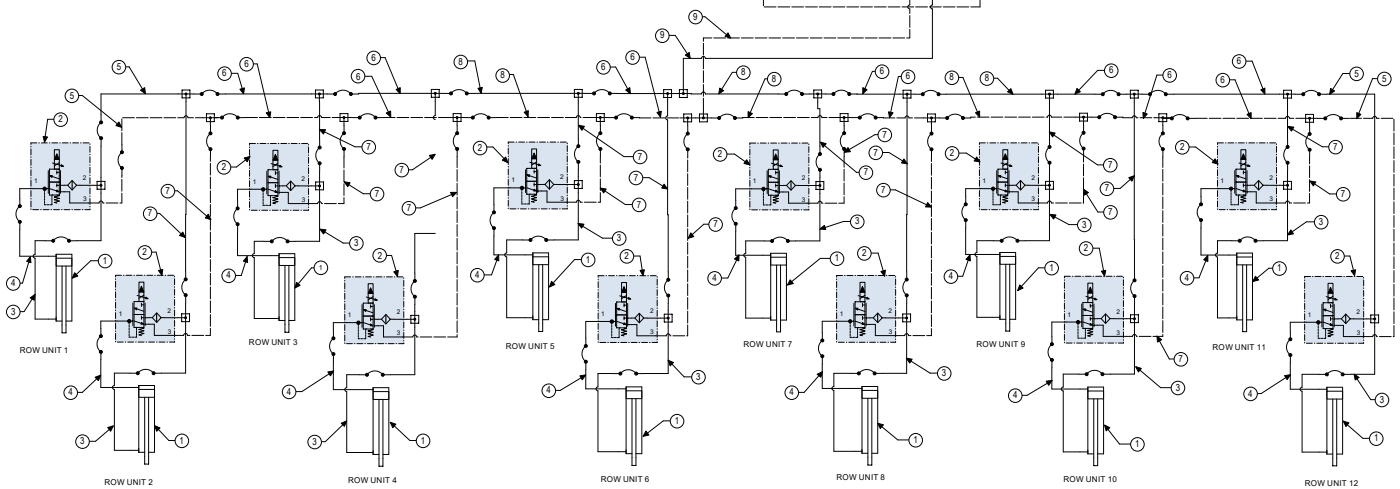
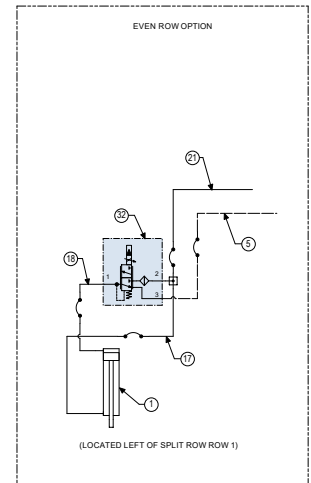
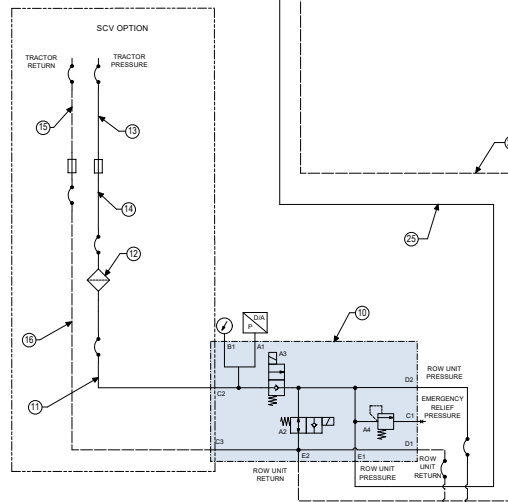
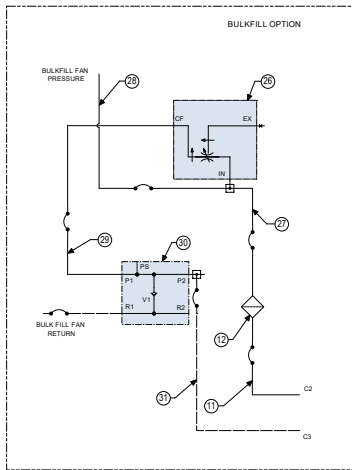
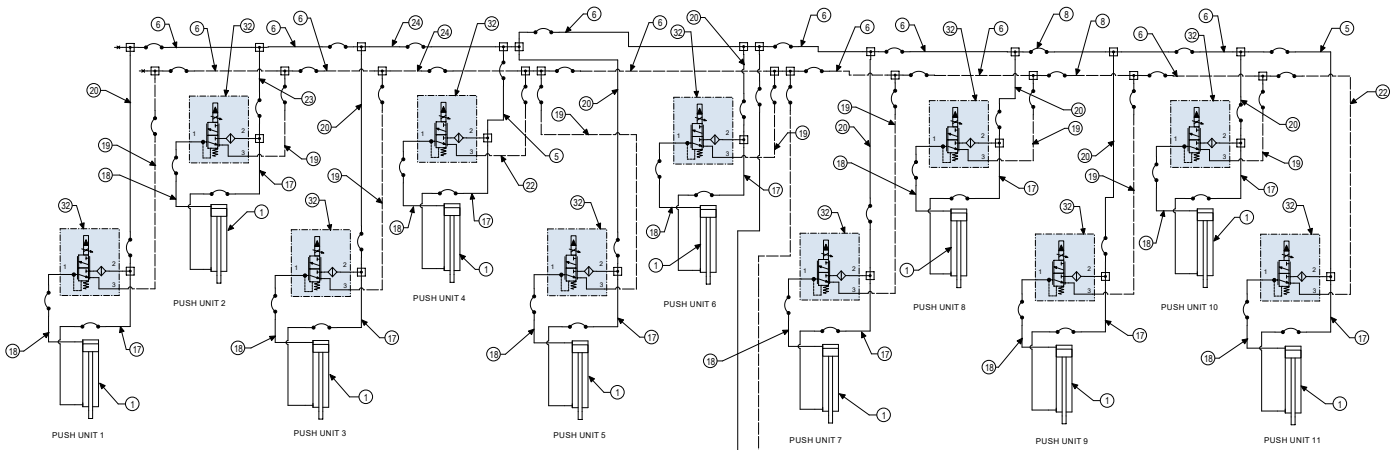
\* Hydraulic hose is not stocked by Kinze Repair Parts.

(10217901)



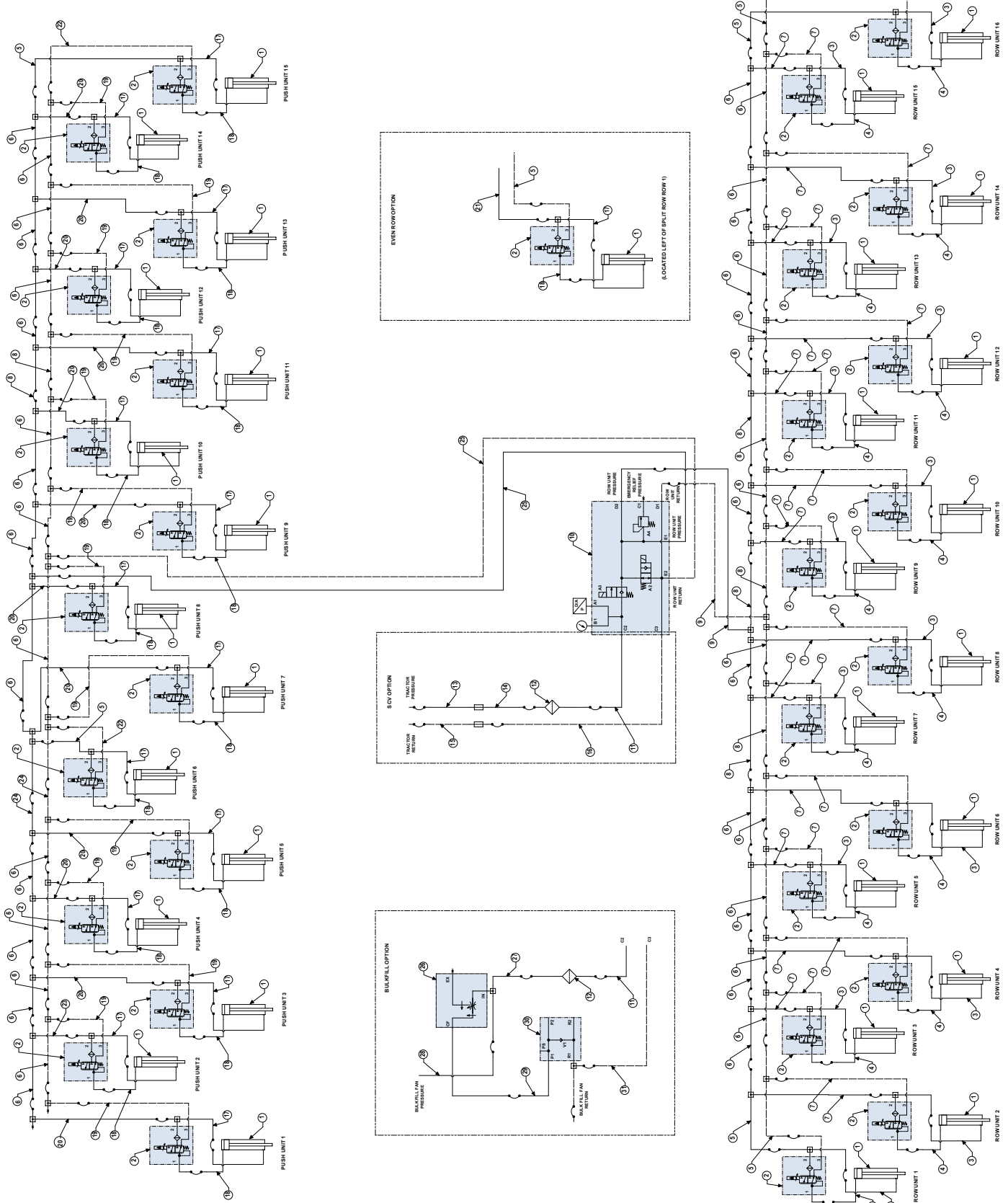
ITEM	PART NO.	QTY.	DESCRIPTION
1	G2702-06	1	Bulkhead Elbow, 45°, 1/16"-18 Male JIC
2	G306-06	2	Lock Nut, 1/16"-18
3	G10217801	1	Bulkhead Mount Bracket (Bulk Fill Only)
4	G2403-06	1	Union, 1/16"-18 Male JIC (Bulk Fill Only)
5	G2700-06-06	1	Bulkhead Tube Union, 1/16"-18 Male JIC
6	*A25706-82 *A25706-142	1	Hose Assembly, 1/2" x 82" (10F - 10F90S), 12 Row Hose Assembly, 1/2" x 142" (10F - 10F90S), 16 Row
7	*A21554-84 *A21554-144	1	Hose Assembly, 5/8" x 84" (10F90S - 12F), 12 Row Hose Assembly, 5/8" x 144" (10F90S - 12F), 16 Row
8	*A15092-86 *A15092-146	1	Hose Assembly, 3/8" x 86" (06F - 08F), 12 Row Hose Assembly, 3/8" x 146" (06F - 08F), 16 Row
9	*A12096	1	Hose Assembly, 3/8" x 140" (06F-08F)
10	*A12094	1	Hose Assembly, 3/8" x 73" (06F-06F)

\* Hydraulic hose is not stocked by Kinze Repair Parts.



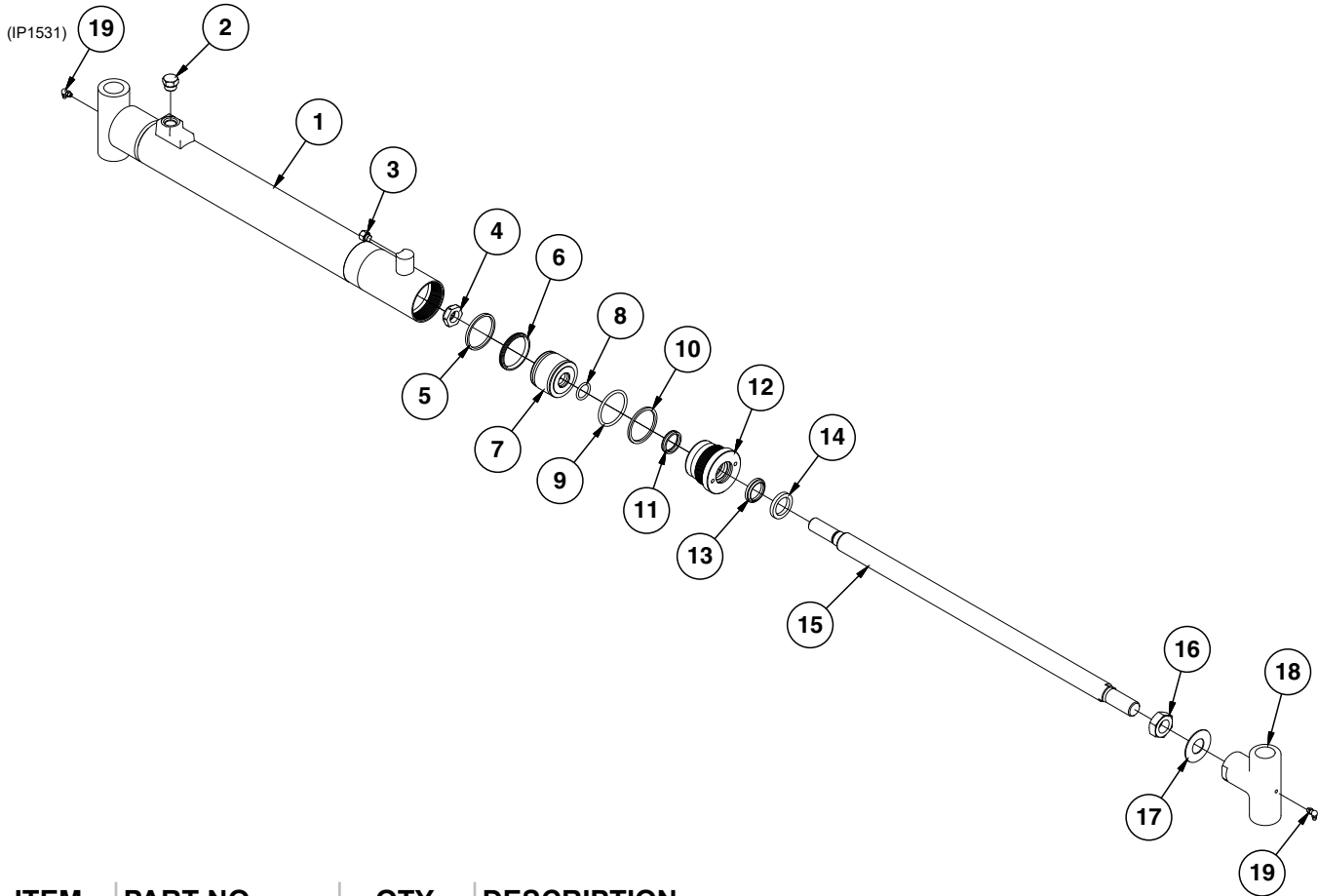
ITEM	PART NO.	QTY.	DESCRIPTION
1	GA25261	24	<a href="#">See "Hydraulic Down Force Cylinder" on page P177</a>
2	---	12	<a href="#">See "Row Unit Control Block, Pull Row Units" on page P196</a>
3	*A7677-20	12	Hose Assembly, 1/4" x 20" (04F - 04F STD 90)
4	*A7678-13	12	Hose Assembly, 1/4" x 13" (04F-04F)
5	*A7680-35	7	Hose Assembly, 1/4" X 35" (04F 90S-06F)
6	*A12038	24	Hose Assembly, 3/8" x 30" (06F-06F)
7	*A7680-14	20	Hose Assembly, 1/4" x 14" (04F-04F)
8	*A15081-36	8	Hose Assembly, 3/8" x 36" (06F-06F)
9	*A25504-30	2	Hose Assembly, 3/8" x 30" (06F-08F90S)
10	---	1	<a href="#">See "Hydraulic Down Force Manifold Block" on page P195</a>
11	*A18671-30	2	Hose Assembly, 1/2" x 30" (08F-08F90S)
12	*A25857	2	<a href="#">See "Hydraulic Down Force Manifold Block and In-Line Filter Assembly" on page P193</a>
13	*A18695-334	1	Hose Assembly, 1/2" x 334" (08F-1/2M NPTF W/Ext., W/Tip)
14	*A18667-160	1	Hose Assembly, 1/2" x 160" (08F-08F)
15	*A21550-334	1	Hose Assembly, 5/8" x 334" (10F-1/2M NPTF W/Ext., W/Tip)
16	*A21530-160	1	Hose Assembly, 5/8" x 160" (10F-10F)
17	*A7678-19	12	Hose Assembly, 1/4" x 19" (04F-04F)
18	*A7680-20	12	Hose Assembly, 1/4" x 20" (04F-06F)
19	*A7682-11	9	Hose Assembly, 1/4" x 11" (04L90F-06F)
20	*A7680-11	8	Hose Assembly, 1/4" x 11" (04F-06F)
21	*A7681-35	1	Hose Assembly, 1/4" x 35" (04F90S-06F)
22	*A7682-35	2	Hose Assembly, 1/4" x 35" (04L90F-06F)
23	*A7681-28	1	Hose Assembly, 1/4" x 28" (04F 90S-06F)
24	*A12080	2	Hose Assembly, 3/8" x 64" (06F-06F)
25	*A25690-48	2	Hose Assembly, 3/8" X 48" (06F-08F STD 90)
26	GA10918	1	Flow Control Valve
27	*A18683-37	1	Hose Assembly, 1/2" x 37" (10F-10F90S)
28	*A1408	1	Hose Assembly, 1/2" x 36" (10M-10F)
29	*A1464	1	Hose Assembly, 1/2" x 72" (10F-10F)
30	---	1	<a href="#">See "Bulk Fill Fan Valve Block" on page P191</a>
31	*A25503	1	Hose Assembly, 5/8" x 60" (10F-12F)
32	---	12	<a href="#">See "Row Unit Control Block, Push Row Units" on page P197</a>

\* Hydraulic hose is not stocked by Kinze Repair Parts.



ITEM	PART NO.	QTY.	DESCRIPTION
1	GA25261	32	<a href="#">See "Hydraulic Down Force Cylinder" on page P177</a>
2	---	32	<a href="#">See "Row Unit Control Block, Pull Row Units" on page P196</a>
3	*A7677-20	16	Hose Assembly, 1/4" x 20" (04F - 04F STD 90)
4	*A7678-13	16	Hose Assembly, 1/4" x 13" (04F-04F)
5	*A7680-35	7	Hose Assembly, 1/4" X 35" (04F 90S-06F)
6	*A12038	40	Hose Assembly, 3/8" x 30" (06F-06F)
7	*A7680-14	28	Hose Assembly, 1/4" x 14" (04F-04F)
8	*A15081-36	8	Hose Assembly, 3/8" x 36" (06F-06F)
9	*A25504-30	8	Hose Assembly, 3/8" x 30" (06F-08F90S)
10	---	1	<a href="#">See "Hydraulic Down Force Manifold Block" on page P195</a>
11	*A18671-30	2	Hose Assembly, 1/2" x 30" (08F-08F90S)
12	*A25857	2	<a href="#">See "Hydraulic Down Force Manifold Block and In-Line Filter Assembly" on page P193</a>
13	*A18695-400	1	Hose Assembly, 1/2" x 400" (08F-1/2M NPTF W/Ext., W/Tip)
14	*A18667-160	1	Hose Assembly, 1/2" x 160" (08F-08F)
15	*A21550-400	1	Hose Assembly, 5/8" x 400" (10F-1/2M NPTF W/Ext., W/Tip)
16	*A21530-160	1	Hose Assembly, 5/8" x 160" (10F-10F)
17	*A7678-19	16	Hose Assembly, 1/4" x 19" (04F-04F)
18	*A7678-20	16	Hose Assembly, 1/4" x 20" (04F-06F)
19	*A7682-11	13	Hose Assembly, 1/4" x 11" (04L90F-06F)
20	*A7680-9	12	Hose Assembly, 1/4" x 9" (04F-06F)
21	*A7681-35	1	Hose Assembly, 1/4" x 35" (04F90S-06F)
22	*A7682-35	2	Hose Assembly, 1/4" x 35" (04L90F-06F)
23	*A7681-28	1	Hose Assembly, 1/4" x 28" (04F 90S-06F)
24	*A12080	2	Hose Assembly, 3/8" x 64" (06F-06F)
25	*A25690-48	2	Hose Assembly, 3/8" X 48" (06F-08F STD 90)
26	*A10918	1	Flow Control Valve
27	*A18683-37	1	Hose Assembly, 1/2" x 37" (10F-10F90S)
28	*A1408	1	Hose Assembly, 1/2" x 36" (10M-10F)
29	*A1464	1	Hose Assembly, 1/2" x 72" (10F-10F)
30	---	1	<a href="#">See "Bulk Fill Fan Valve Block" on page P191</a>
31	*A25503	1	Hose Assembly, 5/8" x 60" (10F-12F)

\* Hydraulic hose is not stocked by Kinze Repair Parts.

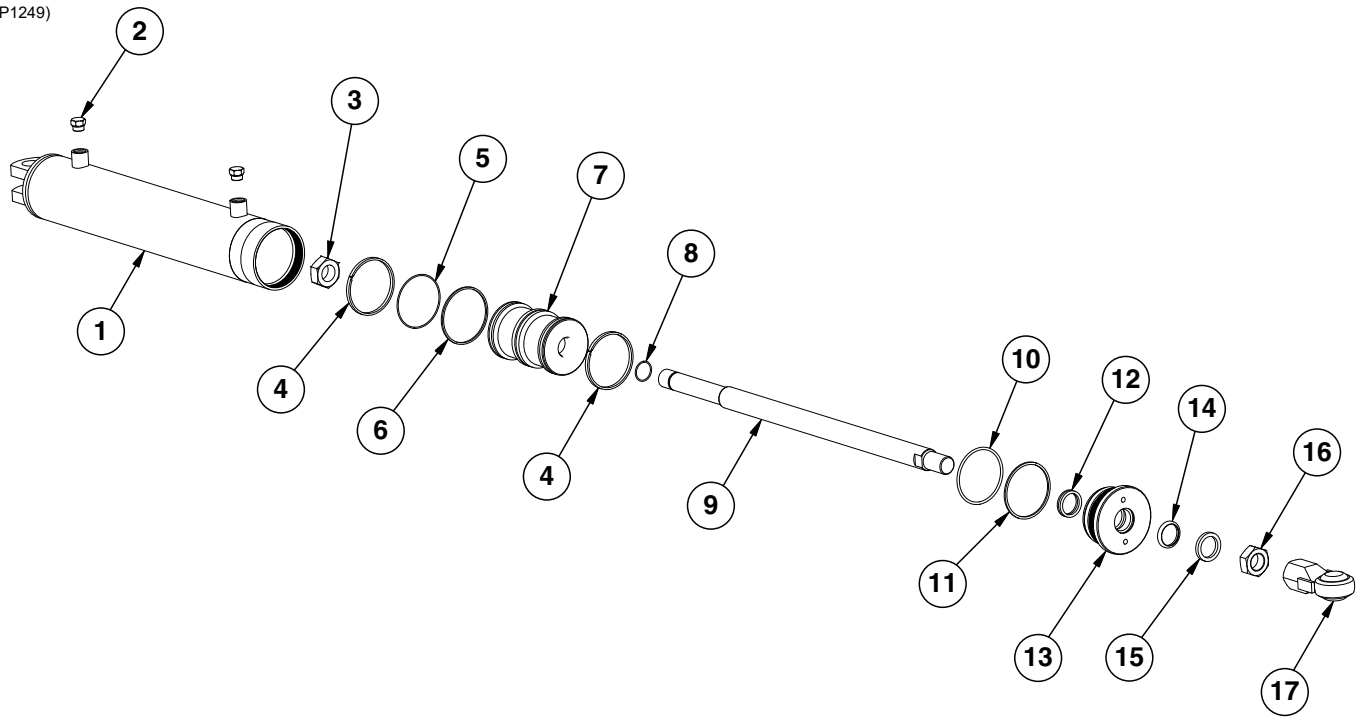


ITEM	PART NO.	QTY.	DESCRIPTION
1	A14631	1	Barrel (Non-Stock Item)
2	G6408-08 GR1037	1	Plug W/O-Ring, 3/4"-16 O-Ring O-Ring
3	G6408-04 GR1465	1	Plug W/O-Ring, 7/16"-20 O-Ring O-Ring
4	GD27234	1	Nylon Lock Nut, 7/8"-14, Grade 8
5	*D12012	1	Piston Ring
6	*A24473	1	BP Seal
7	GD30264	1	Piston
8	*D30262	1	O-Ring, No. 213
9	*D12212	1	O-Ring, No. 330
10	*D12213	1	Back-Up Ring
11	*D12251	1	U-Cup
12	GD10207	1	Gland
13	*D12210	1	Wiper
14	GD12102	1	Ring, 1 1/4"
15	GD30263	1	Rod
16	G10324	1	Hex Jam Nut, 1"-14, Grade 2
17	GD23002	1	Locking Device
18	GD14308	1	Threaded Sleeve End
19	G10779	2	Grease Fitting, 90°, 1/4"-28
A	GA21030	--	Cylinder Complete, 2 1/2" x 20" (Part Number Stamped On Barrel)
B	GR1925	1	Seal Kit, Includes: (2) O-Rings, (1) Back-Up Ring, (1) U-Cup, (1) Wiper, (1) Piston Ring, (1) T-Seal

\* Item is part of seal kit, item can not be purchased individually.



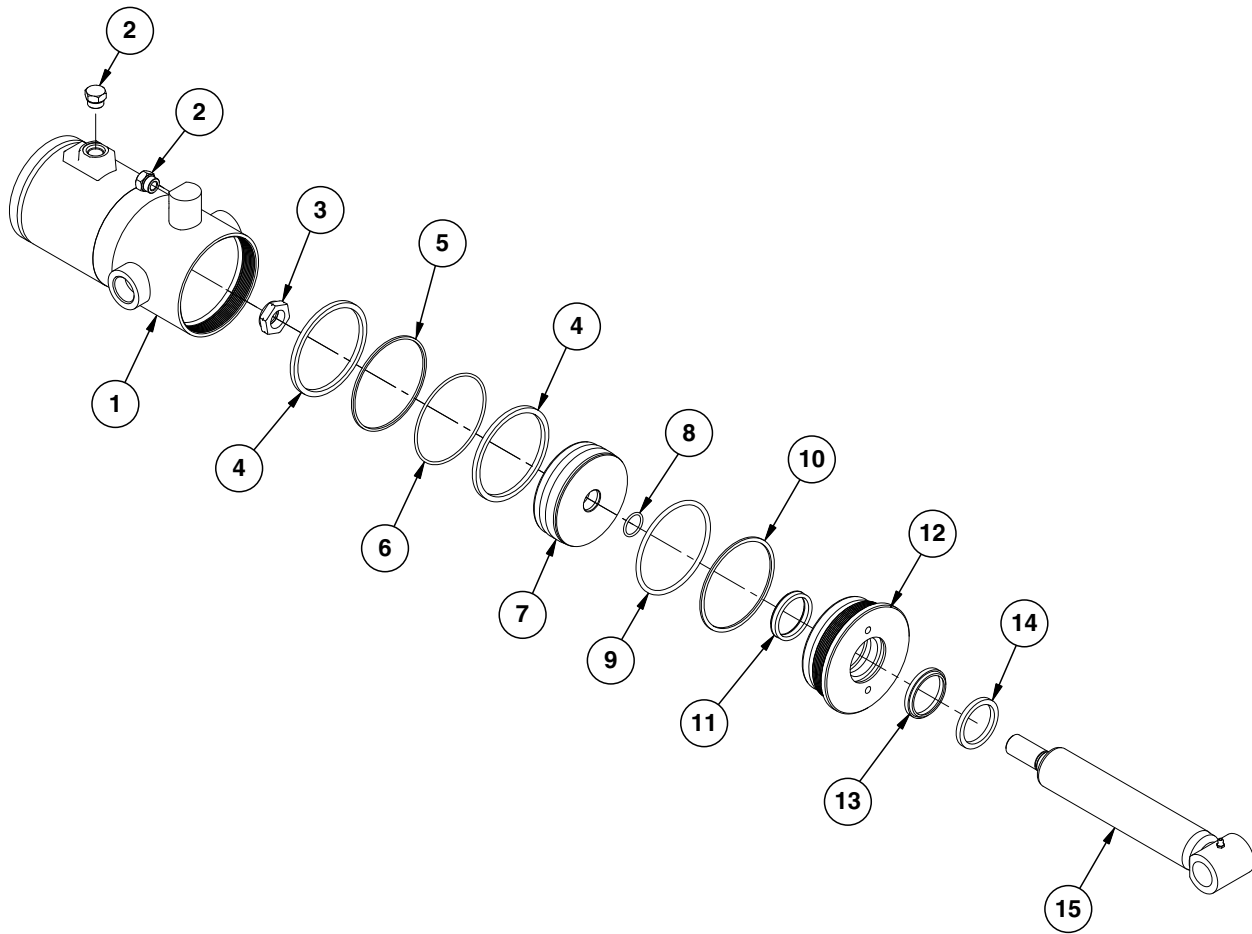
(IP1249)



ITEM	PART NO.	QTY.	DESCRIPTION
1	A7220	1	Barrel (Non-Stock Item)
2	G6408-08 GR1037	2 -	Plug W/O-Ring, 3/4"-16 O-Ring
3	G10972	1	Lock Nut, 1 1/4"-12
4	*D12040	2	Cast Iron Ring
5	*D12072	1	Piston Seal
6	*D12224	1	Expander
7	GD11992	1	Piston
8	*D12223	1	O-Ring
9	GD11991	1	Rod
10	*D12221	1	O-Ring
11	*D12222	1	Backup Ring
12	*D12252	1	U-Cup
13	GD11988	1	Gland
14	*D12206	1	Wiper
15	GD12103	1	Ring
16	G11896	1	Hex Jam Nut, 1 1/4"-12, Grade 5
17	GA7221	1	Threaded Ball Joint End
A	GA8904	-	Cylinder Complete, 4" x 16" (Part Number Stamped On Barrel)
B	GR1524	-	Seal Kit, Includes: (2) O-Rings, (1) U-Cup, (1) Wiper, (1) Seal, (2) Cast Iron Rings, (1) Backup Ring, (1) Expander

\* Item is part of seal kit, item can not be purchased individually.

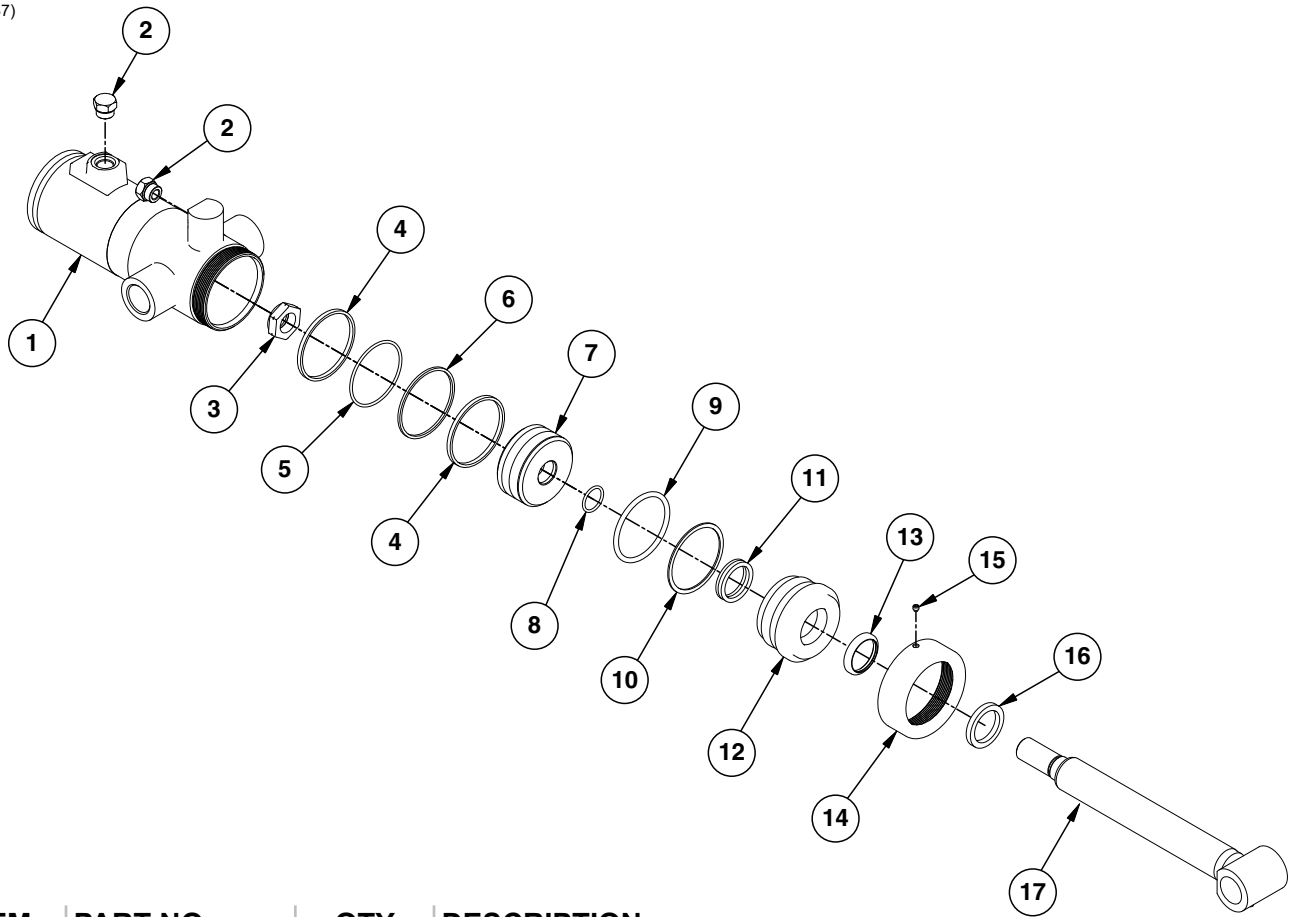
(IP1538)



ITEM	PART NO.	QTY	DESCRIPTION
1	A14278	1	Barrel (Non-Stock Item)
2	G6408-08 GR1037	2 -	Plug W/O-Ring, 3/4"-16 O-Ring O-Ring
3	GD27235	1	Nylon Lock Nut, 1"-14, Grade 8
4	*D12092	2	Cast Iron Piston Ring
5	*D12093	1	Piston Seal
6	*D12248	1	Energizer Seal
7	GD29651	1	Piston
8	*D29649	1	O-Ring, No. 215
9	*D12246	1	O-Ring, No. 348
10	*D12247	1	Back-up Ring
11	*D12255	1	U-Cup
12	GD12572	1	Gland
13	*D12240	1	Wiper, 2"
14	GD12106	1	Ring
15	GA20773 GA21590	1 -	Rod, Style A (Part Number Stamped On Barrel - A20772) Rod, Style B (Part Number Stamped On Barrel - A21589)
A	GA20772 GA21589	-- --	Cylinder Complete, 4 3/4" x 6" (Part Number Stamped On Barrel), Style A Cylinder Complete, 4 3/4" x 6.19" (Part Number Stamped On Barrel), Style B
B	GR2224	1	Seal Kit, Includes: (1)Wiper, (2) O-Rings, (1) Back-up Ring, (1) U-Cup, (1) Seal, (2) Cast Iron Rings, (1)Energizer Seal

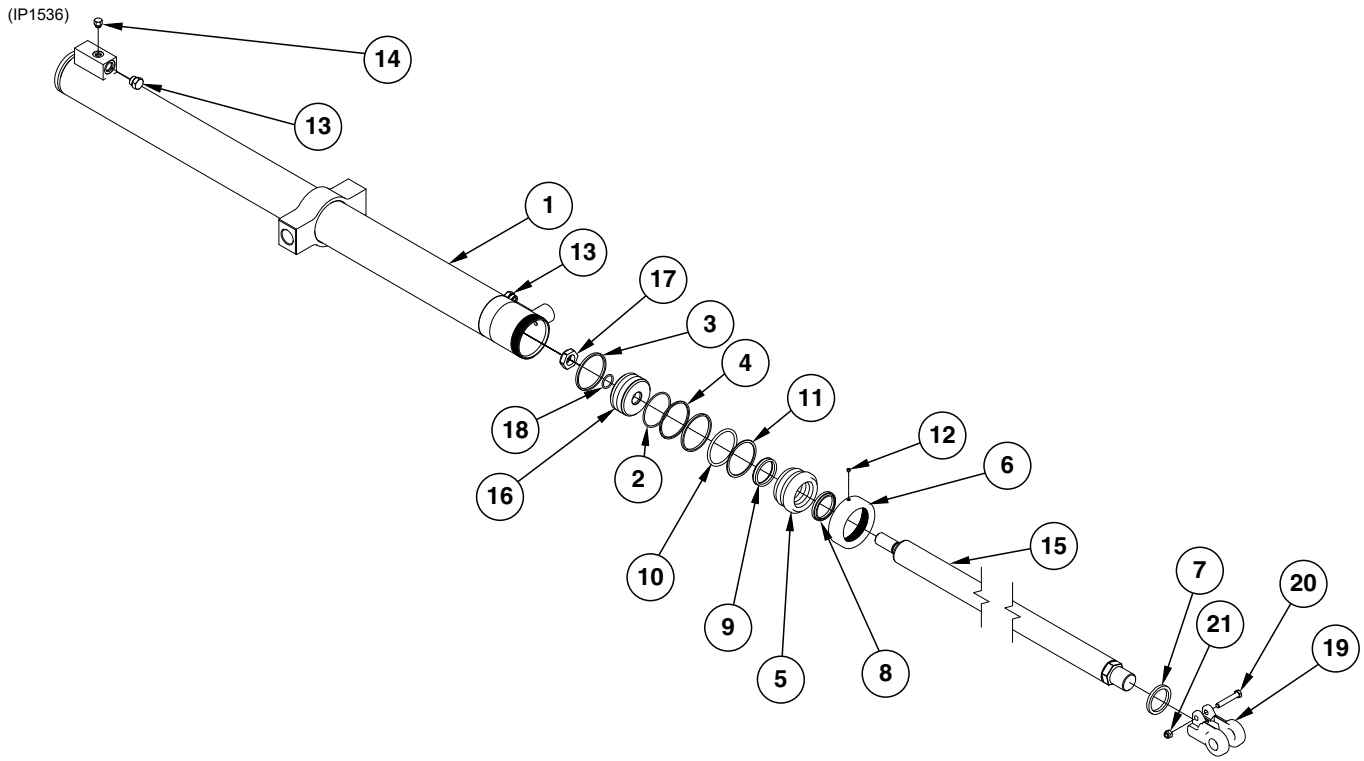
\* Item is part of seal kit, item can not be purchased individually.

(IP1537)



ITEM	PART NO.	QTY	DESCRIPTION
1	GA9467	1	Barrel (Non-Stock Item)
2	G6408-08 GR1037	2 -	Plug W/O-Ring, 3/4"-16 O-Ring O-Ring
3	GD27235	1	Nylon Lock Nut, 1"-14, Grade 8
4	*D12110	2	Cast Iron Piston Ring
5	*D12108	1	Piston Seal
6	*D12257	1	Energizer Seal
7	GD30697	1	Piston
8	*D29649	1	O-Ring, No. 215
9	*D12227	1	O-Ring, No. 336
10	*D12228	1	Back-Up Ring
11	*D12252	1	U-Cup
12	GD13302	1	Gland
13	*D12206	1	Wiper, 1 1/2"
14	GD13303	1	Cap
15	G10907	1	Set Screw, 1/4"-20 x 1/4"
16	GD12103	1	Ring
17	GA21592	1	Rod
A	GA21591	--	Cylinder Complete, 3 1/4" x 6.19" (Part Number Stamped On Barrel)
B	GR1573	--	Seal Kit, Includes: (1)Wiper, (2) O-Rings, (1) Back-up Ring, (1) U-Cup, (1) Seal, (2) Cast Iron Rings, (1)Energizer Seal

\* Item is part of seal kit, item can not be purchased individually.

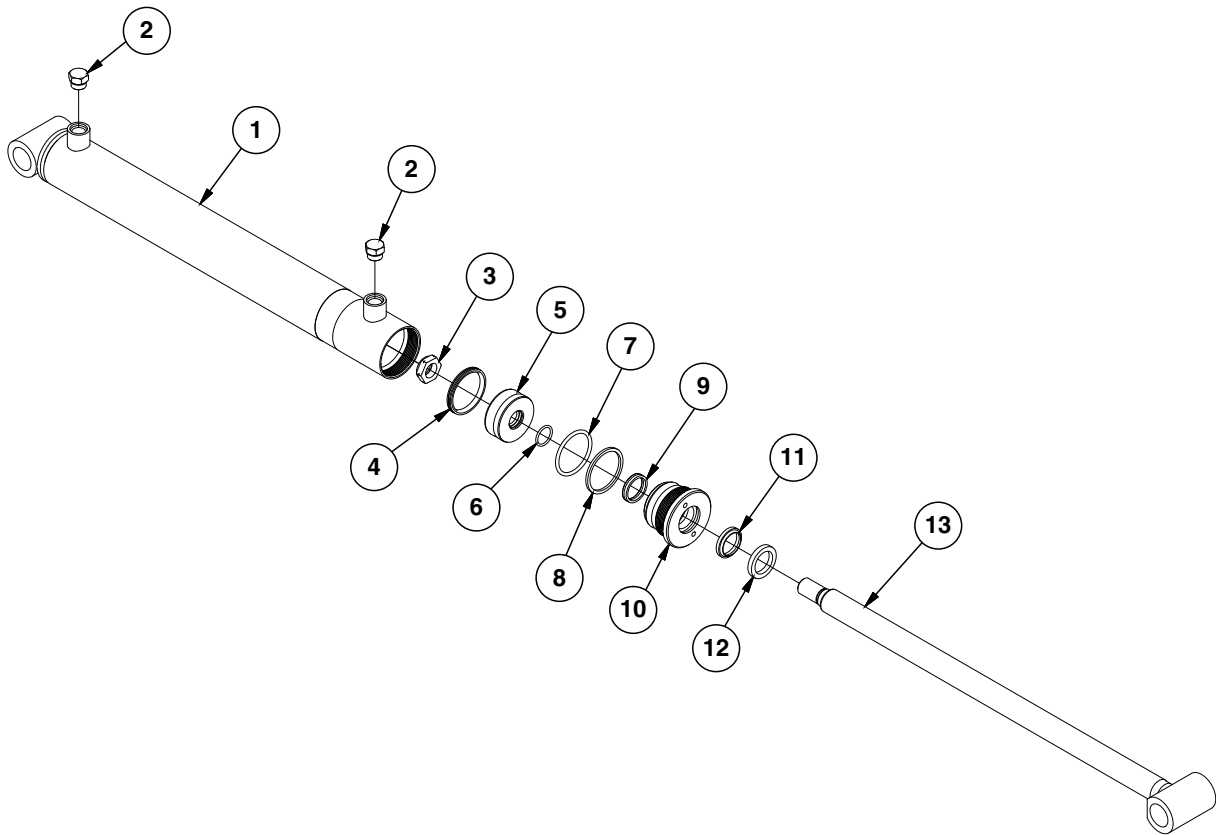


ITEM	PART NO.	QTY.	DESCRIPTION
1	A14275	1	Barrel (Non-Stock Item)
2	*D12108	1	Piston Seal
3	*D12110	2	Cast Iron Ring
4	*D12257	1	Expander
5	GD30881	1	Gland, 12 Row
	GD13307	1	Gland, 16 Row
6	GD13303	1	Cap
7	GD12106	1	Ring
8	*D12218	1	Wiper, 12 Row
	*D12240	1	Wiper, 16 Row
9	*D12254	1	U-Cup, 12 Row
	*D12255	1	U-Cup, 16 Row
10	*D12227	1	O-Ring
11	*D12228	1	Backup Ring
12	G10907	1	Set Screw, 1/4"-20 x 1/4"
13	G6408-08	2	Plug W/O-Ring, 3/4"-16 O-Ring
	GR1037	-	O-Ring
14	G6408-04	1	Plug W/O-Ring, 7/16"-20 O-Ring
	GR1465		O-Ring
15	GD30880	1	Rod, 12 Row
	GD30696	1	Rod, 16 Row
16	GD30697	1	Piston
17	GD27235	1	Nylon Lock Nut, 1"-14, Grade 8
18	*D29649	1	O-Ring, No. 215
19	GD30860	1	Clevis Rod
20	G10939	1	Hex Head Cap Screw, 3/8"-16 x 2 1/4"
21	G10108	1	Lock Nut, 3/8"-16
A	GA21813 GA21627	---	Cylinder Complete, 3 1/4" x 48" (Part Number Stamped On Barrel), 12 Row Cylinder Complete, 3 1/4" x 48" (Part Number Stamped On Barrel), 16 Row
B	GR2234  GR2230	---  ---	Seal Kit (12 Row), Includes: (1) Wiper, (1) Loaded U-Cup, (6) O-Rings, (3) BU Rings, (1) Piston Seal, (1) Energizer Seal, (1) Piston Ring Seal Kit (16 Row), Includes: (1) Wiper, (1) Loaded U-Cup, (6) O-Rings, (4) BU Rings, (1) Piston Seal, (1) Energizer Seal, (1) Piston Ring

\* Item is part of seal kit, item can not be purchased individually.

**This page left blank intentionally.**

(IP1533)

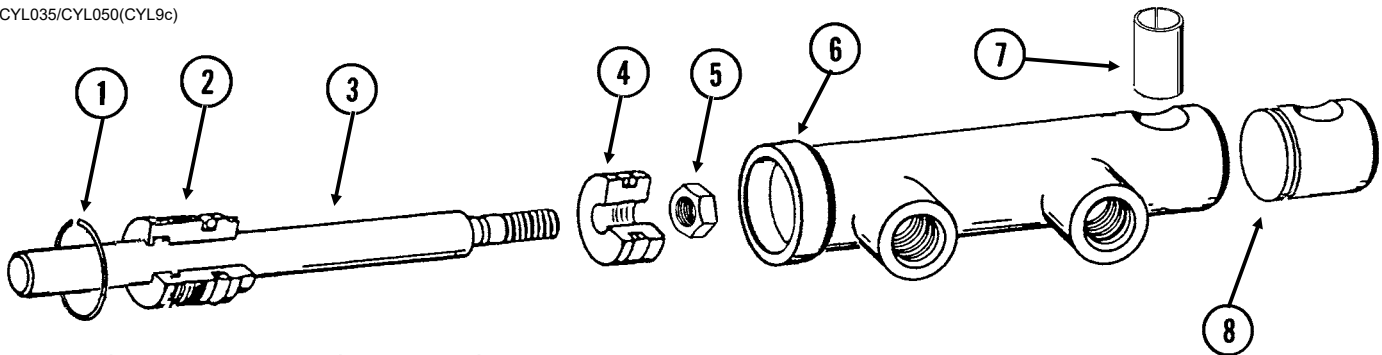


ITEM	PART NO.	QTY.	DESCRIPTION
1	A8822	1	Barrel (Non-Stock Item)
2	G6408-08 GR1037	2 -	Plug W/O-Ring, 3/4"-16 O-Ring O-Ring
3	GD27234	1	Nylon Lock Nut, 7/8"-14, Grade 8
4	*A24473	1	BP Seal
5	GD30401	1	Piston
6	*D30399	1	O-Ring, No. 119
7	*D12212	1	O-Ring, No. 330
8	*D12213	1	Back--Up Ring
9	*D12251	1	U-Cup
10	GD11985	1	Gland
11	*D12210	1	Wiper
12	GD12102	1	Ring
13	GA21114	1	Rod

A	GA21115	--	Cylinder Complete, 2 1/2" x 20 1/16" (Part Number Stamped On Barrel)
B	GR1522	--	Seal Kit, Includes: (1) BP Seal, (2) O-Rings, (1) Backup Ring, (1) U-Cup, (1) Wiper

\* Item is part of seal kit, item can not be purchased individually.

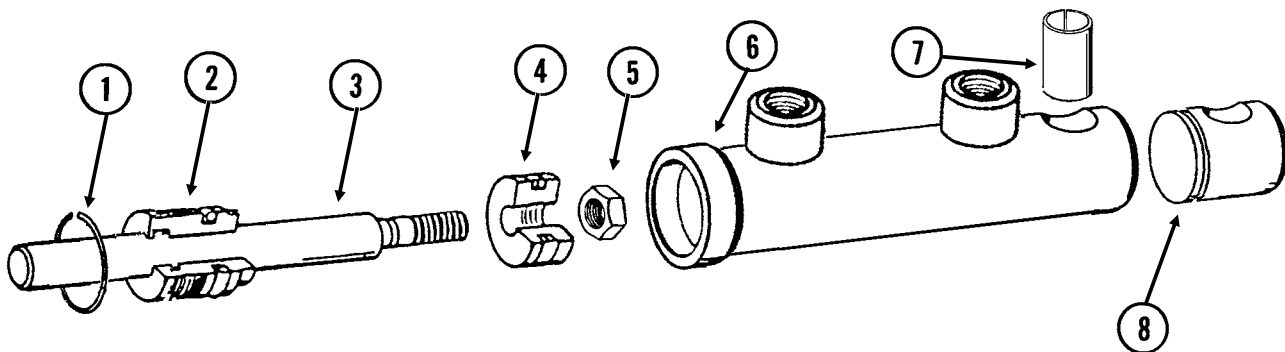
CYL035/CYL050(CYL9c)



ITEM	PART NO.	QTY.	DESCRIPTION
1	G10770	1	Internal Retaining Ring, 1 <sup>11</sup> / <sub>16</sub> "
2	GD13170	1	Gland
3	GD13425	1	Rod
4	GD13172	1	Piston
5	GD27232	1	Nylon Lock Nut, 1/2"-20, Grade 8
6	D13426	1	Barrel ( <b>Non-Stock Item</b> )
7	GD13400	1	Tension Bushing, 1" x 2" Long
8	GD13173	1	End Cap
A	GA9559	-	Cylinder Complete, 1 <sup>1</sup> / <sub>2</sub> " x 2 <sup>1</sup> / <sub>2</sub> " ( <i>Part Number Stamped On Barrel</i> )
B	GR1598	-	Seal Kit, Includes: (3) O-Rings, (2) BU Rings, (1) Wiper, (1) T-Seal, (1) Bronze Bushing, (1) Seal, (1) U-Cup

Tongue Lock Cylinder

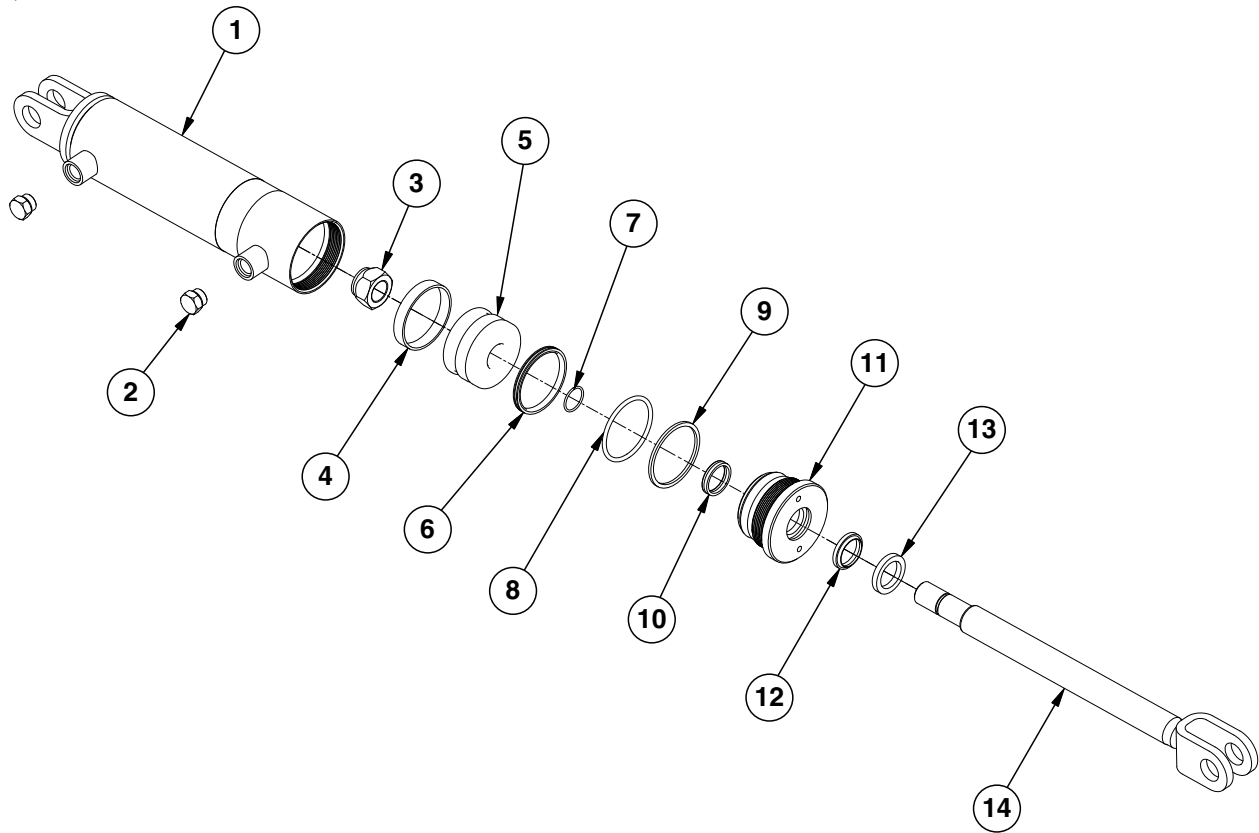
CYL035(CYL9d)



ITEM	PART NO.	QTY.	DESCRIPTION
1	G10770	1	Internal Retaining Ring, 1 <sup>11</sup> / <sub>16</sub> "
2	GD13170	1	Gland
3	GD13171	1	Rod
4	GD13172	1	Piston
5	GD27232	1	Nylon Lock Nut, 1/2"-20, Grade 8
6	D13169	1	Barrel ( <b>Non-Stock Item</b> )
7	GD13400	1	Tension Bushing, 1" x 2" Long
8	GD13173	1	End Cap
A	GA9205	-	Cylinder Complete, 1 <sup>1</sup> / <sub>2</sub> " x 2 <sup>1</sup> / <sub>2</sub> " ( <i>Part Number Stamped On Barrel</i> )
B	GR1598	-	Seal Kit, Includes: (3) O-Rings, (2) BU Rings, (1) Wiper, (1) T-Seal, (1) Bronze Bushing, (1) Seal, (1) U-Cup

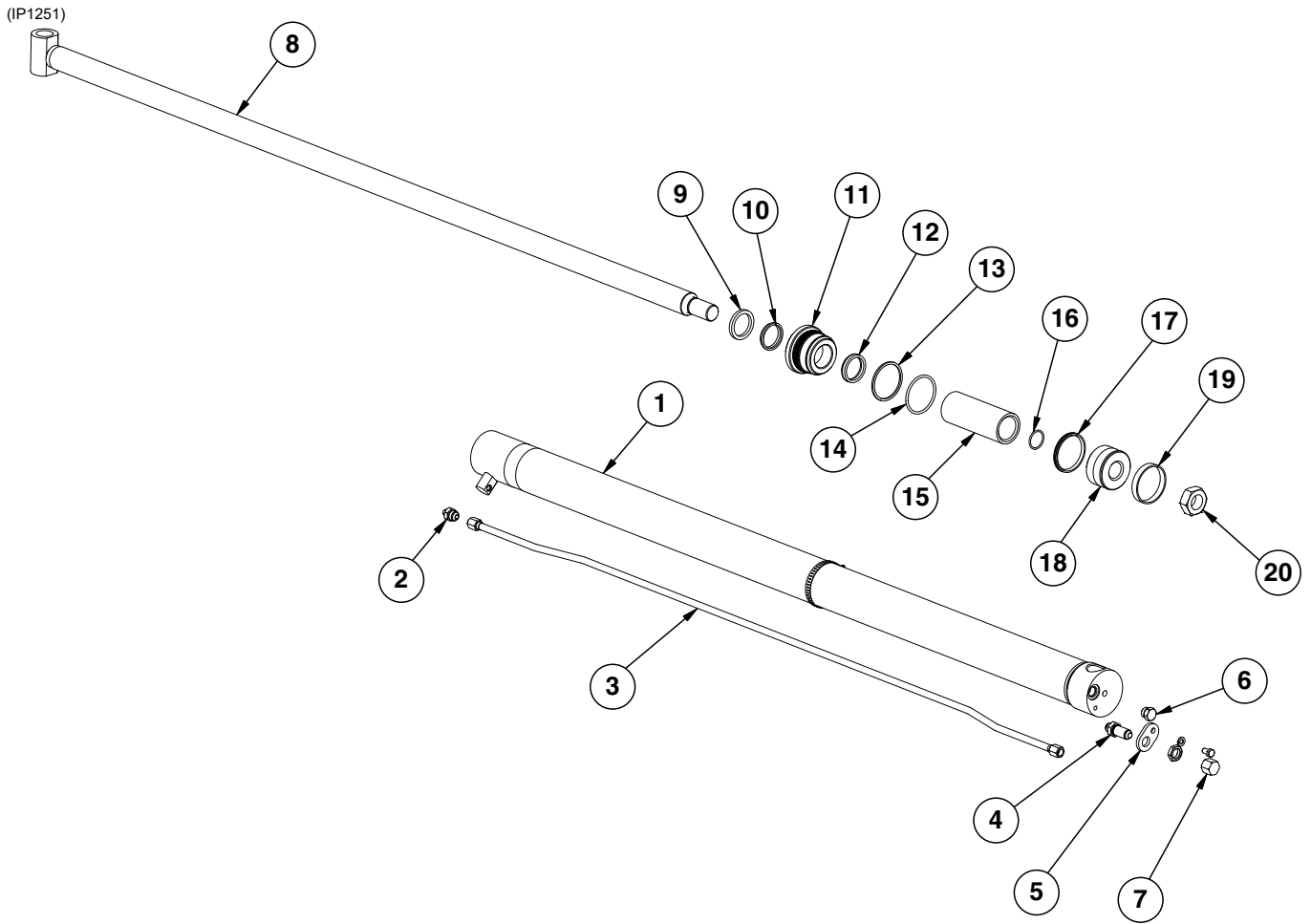


(IP1285)



ITEM	PART NO.	QTY.	DESCRIPTION
1	A14480	1	Barrel <b>(Non-Stock Item)</b>
2	G6408-08 GR1037	2 -	Plug W/O-Ring, 3/4"-16 O-Ring O-Ring
3	G10958	1	Lock Nut, 1"-14
4	*D12047	1	Wear Ring
5	GD12502	1	Piston
6	*A24016	1	BP Seal
7	*D12226	1	O-Ring, No. 120
8	*D12202	1	O-Ring, No. 334
9	*D12203	1	BU Ring
10	*D12251	1	U-Cup
11	GD11999	1	Gland
12	*D12210	1	Wiper
13	GD12102	1	Ring
14	GA14478	1	Rod
A	GA14481	-	Cylinder Complete, 3" x 8" <i>(Part Number Stamped On Barrel)</i>
B	GR1526	1	Seal Kit, Includes: (1) Wear Ring, (2) O-Rings, (1) BU Ring, (1) U-Cup, (1) Wiper, (1) BP Seal

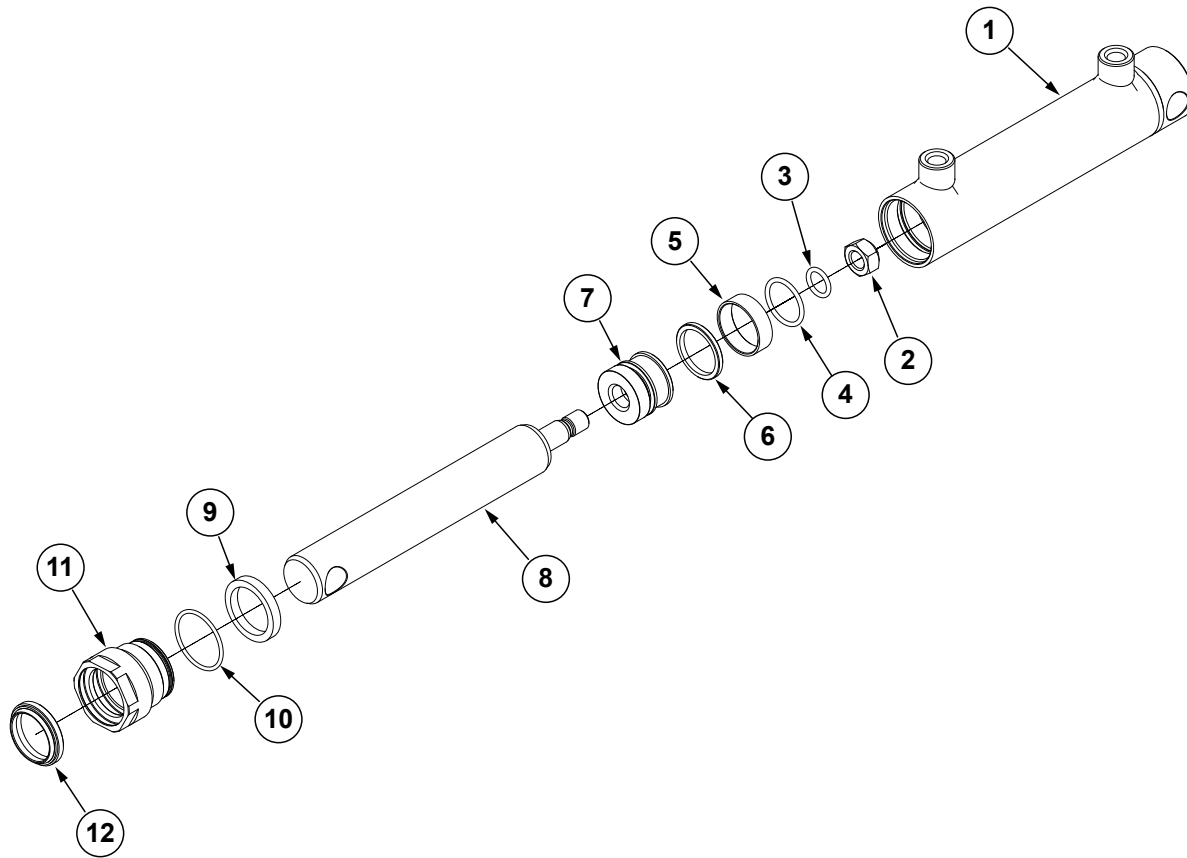
\* Item is part of seal kit, item can not be purchased individually.



ITEM	PART NO.	QTY.	DESCRIPTION
1	A13937 A13953	1 -	Barrel, 12 Row ( <b>Non-Stock Item</b> ) Barrel, 16 Row ( <b>Non-Stock Item</b> )
2	G6400-08-04 GR1465	1 -	Connector W/O-Ring, 3/4"-16 Male JIC To 7/16"-20 O-Ring O-Ring
3	GA13939 GA8979 G10990	1 - 1	Hydraulic Tube Assembly, 62 <sup>7</sup> / <sub>8</sub> ", 12 Row Hydraulic Tube Assembly, 92 <sup>1</sup> / <sub>16</sub> ", 16 Row Hose Clamp, No. 52
4	G2700-08 G306-08	1 1	Bulkhead Tube Union, 3/4"-16 Male JIC Lock Nut, 3/4"-16
5	GD12597 G10328 G10229	1 1 1	Bracket Hex Head Cap Screw, 3/8"-16 x 5/8" Lock Washer, 3/8"
6	G6408-08 GR1037	1 -	Plug W/O-Ring, 3/4"-16 O-Ring O-Ring
7	G304-C-8	1	Cap Nut, 3/4"-16
8	GA13935 GA8859	1 -	Rod Assembly, 12 Row Rod Assembly, 16 Row
9	GD12104	1	Ring
10	*D12200	1	Wiper
11	GD11984	1	Gland
12	*D12253	1	U-Cup
13	*D12203	1	BU Ring
14	*D12202	1	O-Ring, No. 334
15	GD7147	1	Spacer
16	*D12204	1	O-Ring, No. 218
17	*A24016	1	BP Seal
18	GD11970	1	Piston
19	*D12047	1	Wear Ring
20	G10972	1	Lock Nut, 1 <sup>1</sup> / <sub>4</sub> "-12
A	GA13938	-	Cylinder Complete, 3" x 54", 12 Row ( <i>Part Number Stamped On Barrel</i> )
B	GA13954	-	Cylinder Complete, 3" x 84", 16 Row ( <i>Part Number Stamped On Barrel</i> )
C	GR1519	-	Seal Kit Includes: (2) O-Rings, (1) BU Ring, (1) Wear Ring, (1) Wiper, (1) U-Cup, (1) BP Seal

\* Item is part of seal kit, item can not be purchased individually.

(IP1531)

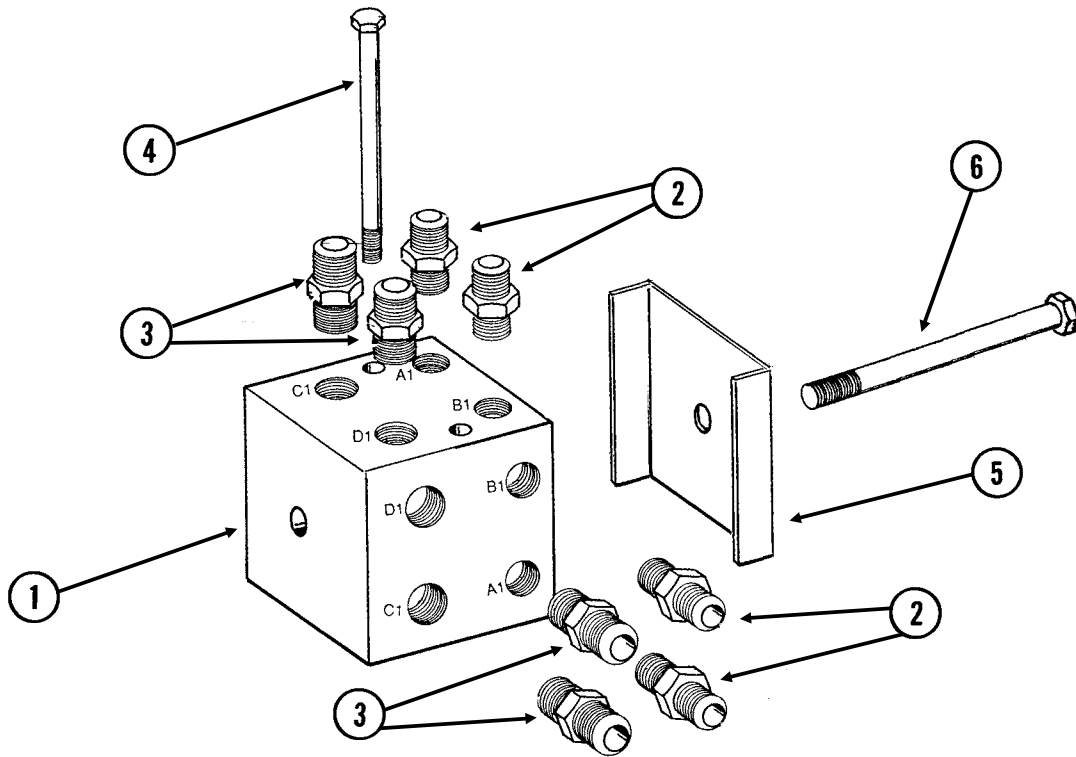


ITEM	PART NO.	QTY.	DESCRIPTION
1	R2282	1	Barrell (Non-Stock Item)
2	*R2309	1	Piston Nut
3	*R2303	1	O-Ring
4	*R2300	1	Piston O-Ring
5	*R2302	1	Wear Band
6	*R2301	1	Piston Seal
7	*R2308	1	Piston
8	*R2281	1	Cylinder Rod
9	*R2305	1	Rod Seal
10	*R2304	1	O-Ring
11	*R2283	1	Head Gland
12	*R2307	1	Wiper

A	GA25261	-	Cylinder Complete, 1¼" x 4¼"
B	GR2362	-	Piston Rod and Seals Assembly, Includes Items 2-8
C	GR2363	-	Head Gland and Seals Assembly, Includes Items 9-12

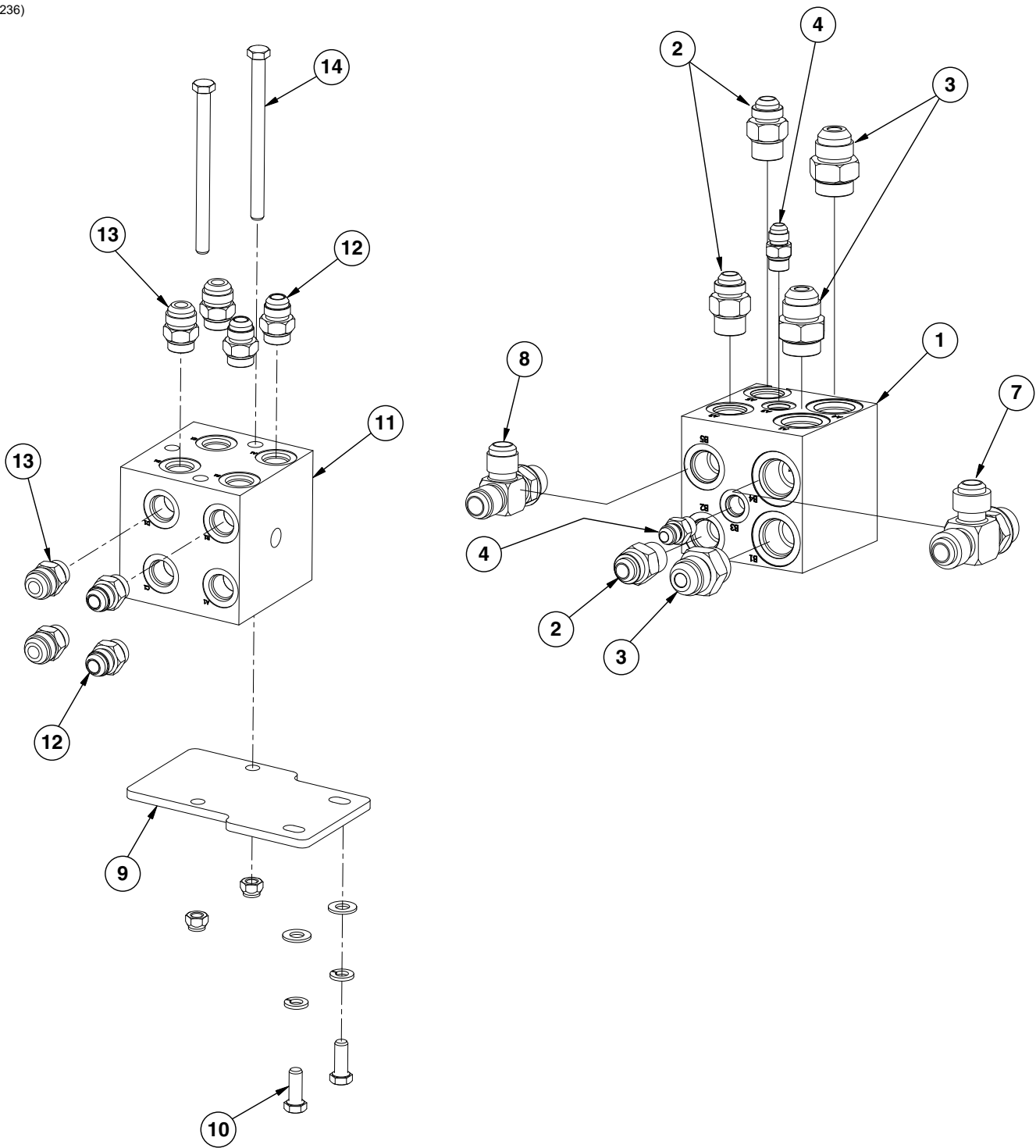
\* Item is part of a sub-assembly, item can not be purchased individually.

VVB036(TWL24k)



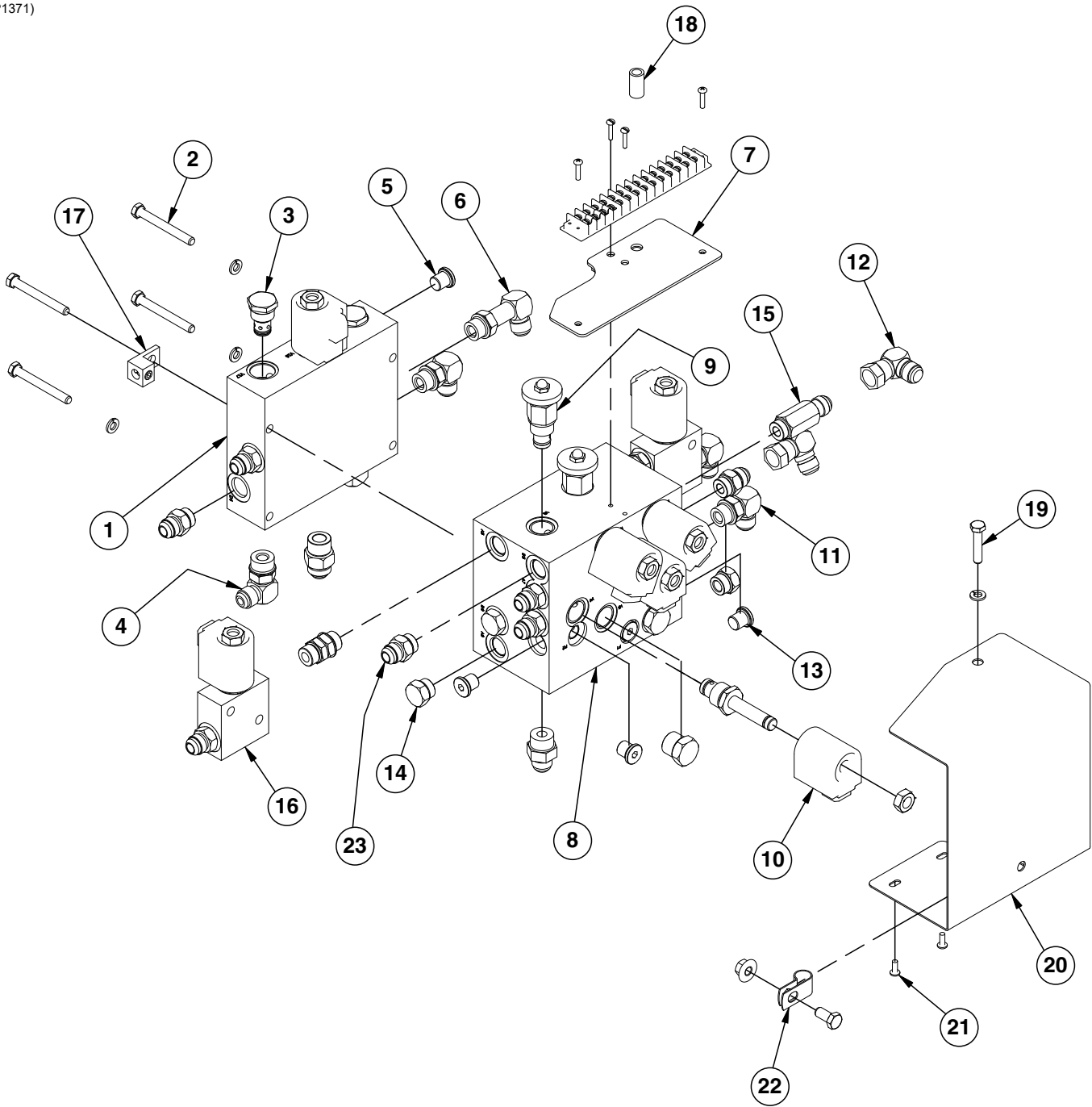
ITEM	PART NO.	QTY.	DESCRIPTION
1	GD9971	1	Manifold Block
2	G6400-08 GR1037	4 -	Connector W/O-Ring, 3/4"-16 Male JIC To O-Ring O-Ring
3	G6400-10-08 GR1037	4 -	Connector W/O-Ring, 7/8"-14 Male JIC To 3/4"-16 O-Ring O-Ring
4	G10172 G10229 G10101	2 2 2	Hex Head Cap Screw, 3/8"-16 x 5" Lock Washer, 3/8" Hex Nut, 3/8"-16
5	GD0740	1	Hose Clamp, 3/4" x 4" x 3 1/2"
6	G10871 G10228 G10102	1 1 1	Hex Head Cap Screw, 1/2"-13 x 6" Lock Washer, 1/2" Hex Nut, 1/2"-13

(IP1236)



ITEM	PART NO.	QTY.	DESCRIPTION
1	GD20697	1	Fan Junction Block
2	G6400-10 GR1037	3 -	Connector W/O-Ring, 7/8"-14 Male JIC To O-Ring O-Ring
3	G6400-12 GR1467	3	Connector, W/O-Ring, 1 1/16"-12 Male JIC To O-Ring O-Ring
4	G6400-06 GR1045	2 -	Connector W/O-Ring, 9/16"-18 Male JIC To O-Ring O-Ring
5	---	-	---
6	---	-	---
7	G6804-12 GR1467	1 -	Adjustable Tee W/O-Ring, 1 1/16"-12 Male JIC To O-Ring O-Ring
8	G6804-10	1	Adjustable Tee W/O-Ring, 7/8"-14 Male JIC To O-Ring
9	GD20695	1	Extension Plate
10	G10001 G10229 G11387	2 2 2	Hex Head Cap Screw, 3/8"-16 x 1" Lock Washer, 3/8" Flat Washer, 3/8" SAE
11	GD9971	1	Manifold Block
12	G6400-08 GR1037	4 -	Connector W/O-Ring, 3/4"-16 Male JIC To O-Ring O-Ring
13	G6400-10-08 GR1037	4 -	Connector W/O-Ring, 7/8"-14 Male JIC To 3/4"-16 O-Ring O-Ring
14	G10172 G10108	2 2	Hex Head Cap Screw, 3/8"-16 x 5" Lock Nut, 3/8"-16

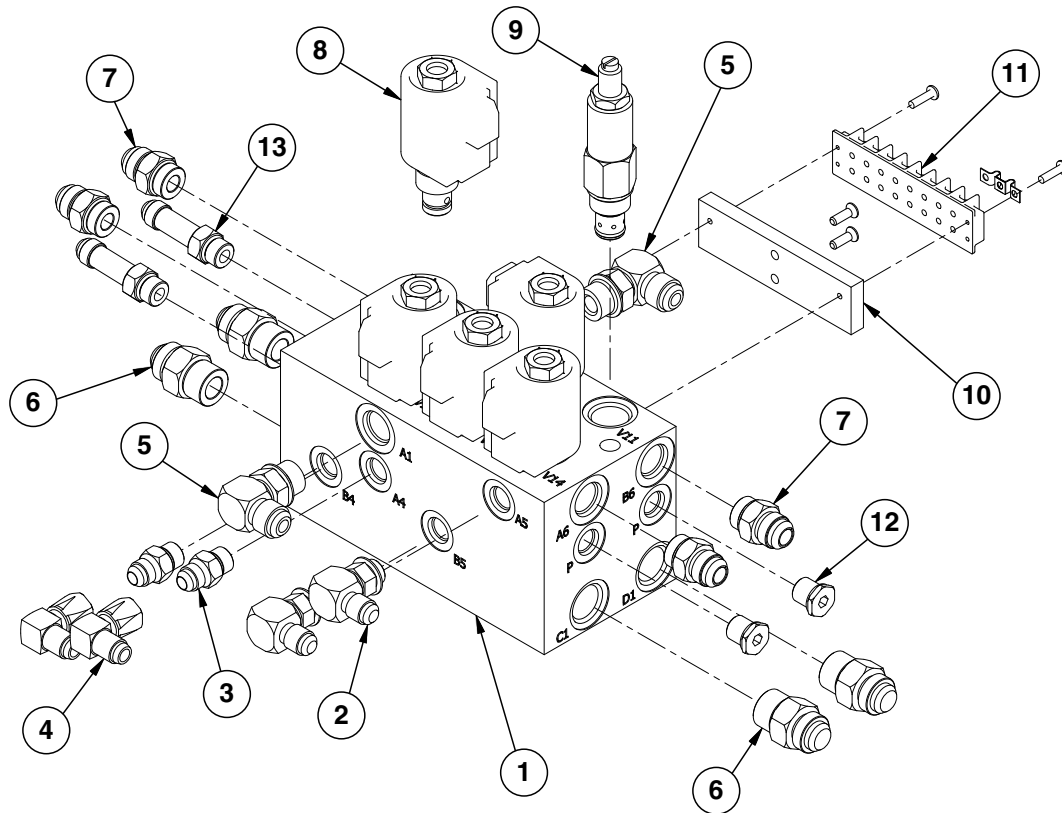
(IP1371)





ITEM	PART NO.	QTY.	DESCRIPTION
1	GD9977	1	Block
	G6801-08	1	Elbow W/O-Ring, 90°, 3/4"-16 Male JIC To O-Ring
	GR1037	-	O-Ring
	G6400-08	2	Connector W/O-Ring, 3/4"-16 Male JIC To O-Ring
	GR1037	-	O-Ring
	G6400-10	1	Connector W/O-Ring, 7/8"-14 Male JIC To O-Ring
	GR1466	-	O-Ring
	---	1	<a href="#">See "Solenoid Valve" on page P192</a>
2	G10583	4	Hex Head Cap Screw, 5/16"-18 x 2 3/4"
	G10232	3	Lock Washer, 5/16"
3	GA4293	2	Check Valve
	GR2041	-	Seal Kit (Included W/GA4293)
4	G6801-08-10	2	Elbow W/O-Ring, 90°, 3/4"-16 Male JIC To 7/8"-14 O-Ring
	GR1466	-	O-Ring
	G6403-NWO-08	2	Adjustable Union, 3/4"-16 O-Ring
5	G6408-H06-O	1	Hex Socket Head Plug W/O-Ring, 9/16"-18 O-Ring
	GR1045	-	O-Ring
6	G6801-L-08	1	Long Elbow W/O-Ring, 90°, 3/4"-16 Male JIC To O-Ring
	GR1037	-	O-Ring
7	GA13741	1	Terminal Strip Mount
	G11066	2	Phillips Pan Head Machine Screw, No. 10-24 x 3/4", Stainless Steel
	G11067	2	Phillips Pan Head Machine Screw, No. 8-32 x 3/4", Stainless Steel
	GA9097	1	Terminal Strip W/Screws, No. 6, 14 Terminal
	GD13310	3	Jumper, 7/16"
8	GD9533	1	Block
	G6408-10	2	Plug W/O-Ring, 7/8"-14 O-Ring
	GR1466	-	O-Ring
	G6400-08	7	Plug W/O-Ring, 3/4"-16 O-Ring
	GR1037	-	O-Ring
9	GA3413	2	Flow Control Valve
10	---	6	<a href="#">See "Solenoid Valve" on page P192</a>
11	G6801-08	2	Elbow W/O-Ring, 90°, 3/4"-16 Male JIC To O-Ring
	GR1037	-	O-Ring
12	G6500-08	2	Swivel Elbow, 90°, 3/4"-16 Male JIC To Female
13	G6408-H06-O	5	Hex Socket Head Plug W/O-Ring, 9/16"-18 O-Ring
	GR1045	-	O-Ring
14	G6408-08	4	Plug W/O-Ring, 3/4"-16 O-Ring
	GR1037	-	O-Ring
15	G6400-L-08	1	Long Connector W/O-Ring, 3/4"-16 Male JIC To O-Ring
16	GD14528	2	Valve Block
17	GA3584	1	Ground Clamp
18	GD8066-02	1	Sleeve, 1" Long
19	G10133	1	Hex Head Cap Screw, 5/16"-18 x 1 1/2"
	G10232	1	Lock Washer, 5/16"
20	GD13146	1	Valve Block Cover
21	G10977	2	Phillips Pan Head Machine Screw, No. 10-24 x 1/2", Stainless Steel
22	GD34779	1	Insulated Clamp, 7/8"
	G10002	1	Hex Head Cap Screw, 3/8"-16 x 3/4"
	G11091	1	Serrated Flange Nut, 3/8"-16
23	G6403-NWO-08	2	Adjustable Union W/O-Ring, 3/4"-16
A	GR0764	-	Seal Kit, Includes: (2) O-Rings, (1) BU Ring

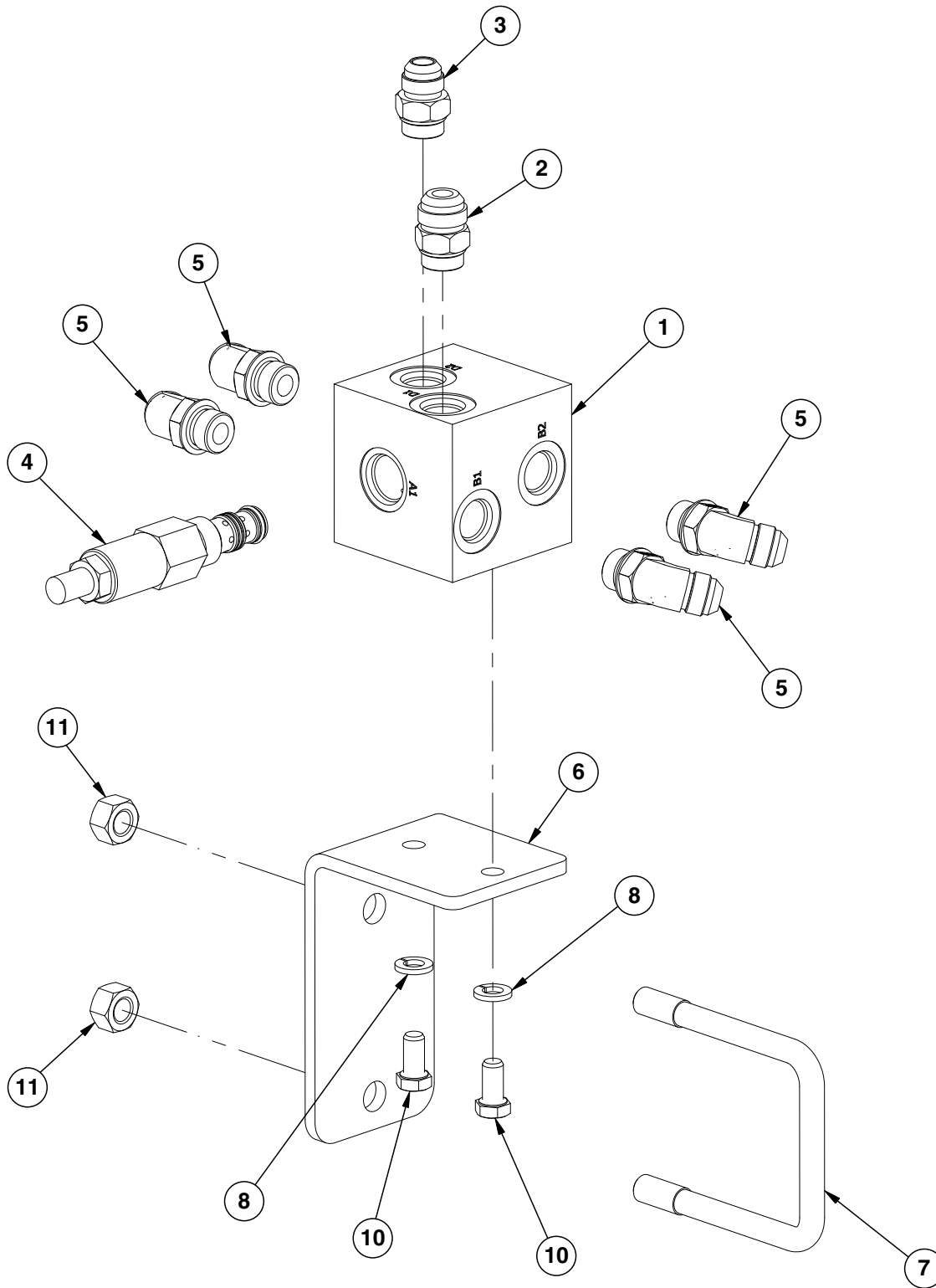
(IP1110/IP1111)



ITEM	PART NO.	QTY.	DESCRIPTION
1	GD9905	1	Block
2	G6801-06 GR1045	2 -	Elbow W/O-Ring, 90°, 1/16"-18 Male JIC To O-Ring O-Ring
3	G6400-06 GR1045	2 -	Connector W/O-Ring, 1/16"-18 Male JIC To O-Ring O-Ring
4	G6500-06	2	Swivel Elbow, 90°, 1/16"-18 Male JIC To Female
5	G6801-08 GR1037	2 -	Elbow W/O-Ring, 90°, 3/4"-16 Male JIC To O-Ring O-Ring
6	G6400-10 GR1466	4 -	Connector W/O-Ring, 7/8"-14 Male JIC To O-Ring O-Ring
7	G6400-08 GR1037	4 -	Connector W/O-Ring, 3/4"-16 Male JIC To O-Ring O-Ring
8	---	-	<a href="#">See "Solenoid Valve" on page P192</a>
9	GA3407	-	Pressure Relief Valve, 1000 PSI
10	GD12818 G11068	1 2	Terminal Strip Mount Phillips Flat Head Machine Screw, No. 10-24 x 5/8", Stainless Steel
11	GA9098 GD13310 G11065	1 2 2	Terminal Strip W/Screws, No. 6, 8 Terminal Jumper, 7/16" Phillips Pan Head Machine Screw, No. 8-32 x 5/8", Stainless Steel
12	G6408-H06-0 GR1045	2 -	Hex Socket Head Plug W/O-Ring, 1/16"-18 O-Ring
13	G6400-L-06 GR1045	2 -	Long Connector W/O-Ring, 1/16"-18 Male JIC To O-Ring O-Ring
A	GR0764	-	Seal Kit, Includes: (2) O-Rings, (1) BU Ring

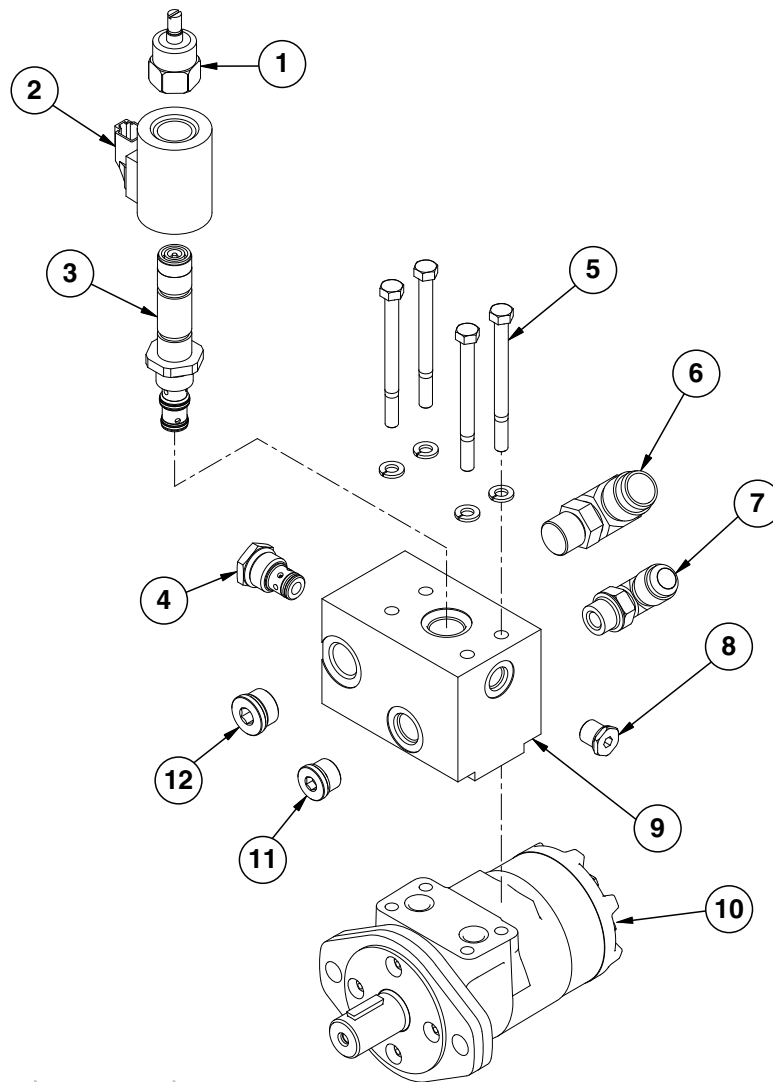
**This page left blank intentionally.**

(IP1256)



ITEM	PART NO.	QTY.	DESCRIPTION
1	GD20718	1	Wing Down Pressure Valve Block
2	G6400-10-08 GR1037	1 -	Connector W/O-Ring, 7/8"-14 Male JIC To 3/4"-16 O-Ring O-Ring
3	G6400-08 GR1037	1 -	Connector W/O-Ring, 3/4"-16 Male JIC To O-Ring O-Ring
4	GA14489 GR2043	1 -	Pressure Reducing Relief Valve Seal Kit (Included W/GA14489)
5	G6802-08 GR1037	4 -	Elbow W/O-Ring, 45°, 3/4"-16 Male JIC To O-Ring O-Ring
6	GD20719	1	Wing Down Pressure Bracket
7	GD4743	1	U-Bolt, 3" x 3" x 1/2"-13
8	G10229	2	Lock Washer, 3/8"
9	---	-	---
10	G10002	2	Hex Head Cap Screw, 3/8"-16 x 3/4"
11	G10071	2	Serrated Flange Nut, 1/2"-13

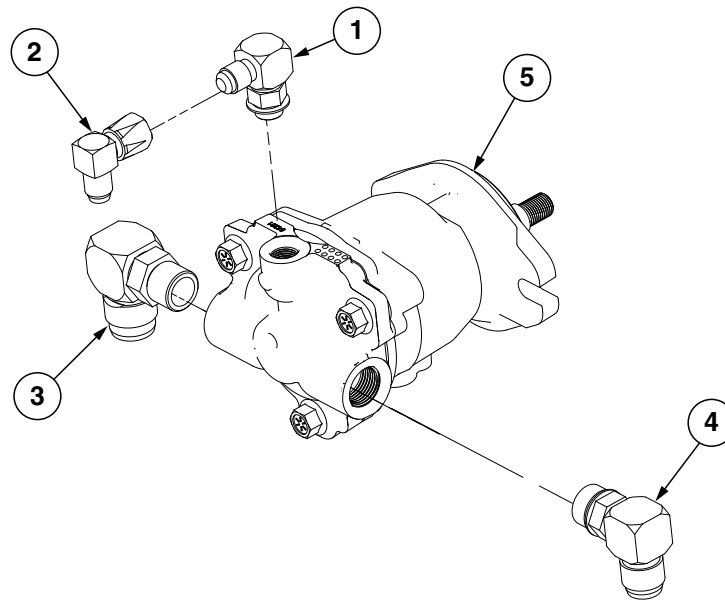
(IP1076)



ITEM	PART NO.	QTY.	DESCRIPTION
1	GR1846	1	Manual Override
2	GA13079	1	Coil
3	GA13078	1	Proportional Valve
4	GA4293	1	Check Valve
	GR2041	-	Seal Kit (Included W/GA4293)
5	G11309	4	Hex Head Cap Screw, 5/16"-18 x 3 3/4"
	G10232	4	Lock Washer, 5/16"
6	G6801-12-10	1	Elbow W/O-Ring, 90°. 1 1/16"-12 Male JIC To 7/8"-14 O-Ring
	GR1466	-	O-Ring
7	G6801-10-08	1	Elbow W/O-Ring, 90°, 7/8"-14 Male JIC To 3/4"-16 O-Ring
	GR1037	-	O-Ring
8	G6408-H06-0	1	Hex Socket Head, 9/16"-18, O-Ring Plug
9	GD19440	1	Valve Block
10	GA13633	1	Hydraulic Motor
	GD18811	2	O-Ring, No. 112 (Included W/GA13633)
11	G6408-H08-0	1	Hex Socket Head Plug W/O-Ring, 3/4"-16 O-Ring
	GR1037	-	O-Ring
12	G6408-H10-0	1	Hex Socket Head Plug W/O-Ring, 7/8"-14 O-Ring
A	GA14576	-	Hydraulic Motor Assembly
B	GR1939	-	Seal Kit (Hydraulic Motor)
C	GR0764	-	Seal Kit (Proportional Valve), Includes: (2) O-Rings, (1) BU Ring

**This page left blank intentionally.**

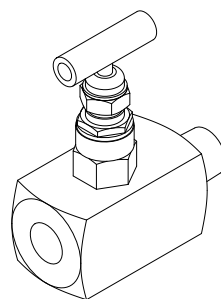
(A10636)



ITEM	PART NO.	QTY.	DESCRIPTION
1	G6801-06 GR1045	1 -	Elbow W/O-Ring, 90°, 1/16"-18 Male JIC To O-Ring O-Ring
2	G6500-06	1	Swivel Elbow, 90°, 1/16"-18 Male JIC To Female
3	G6801-12-10 GR1466	1	Elbow W/O-Ring, 90°. 1 1/16"-12 Male JIC To 7/8"-14 O-Ring O-Ring
4	G6801-10 GR1466	1	Elbow W/O-Ring, 90°, 7/8"-14 Male JIC To O-Ring O-Ring
5	GA24543 GR2314 GR2333	1 - -	Hydraulic Motor Motor Key Seal Kit

**Optional Flow Control Needle Valve Kit**

(IP1064)

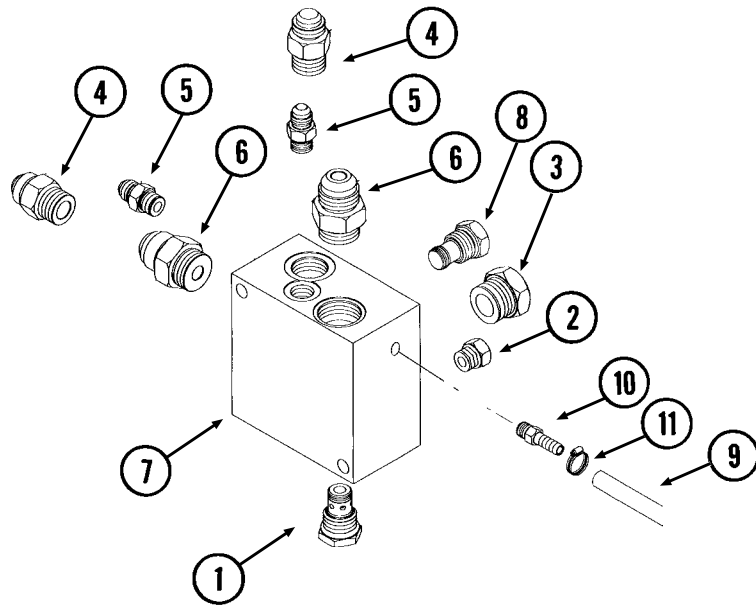


ITEM	PART NO.	QTY.	DESCRIPTION
1	G1K426	-	Needle Valve Kit W/Instructions



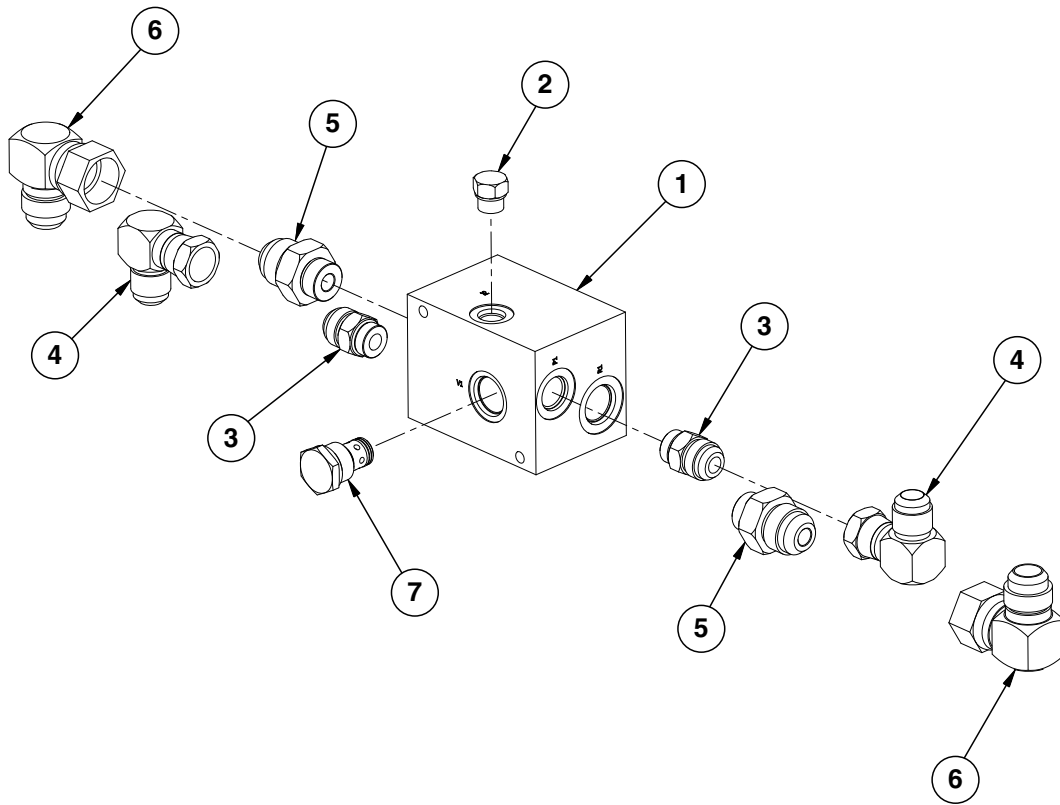
**Vacuum Fan Motor Valve Block Assembly  
(Located Below Vacuum Fan Motor Assembly)**

(A11068d)



ITEM	PART NO.	QTY.	DESCRIPTION
1	GA4293 GR2041	1 -	Check Valve Seal Kit (Included W/GA4293)
2	G6408-06 GR1045	1 -	Plug W/O-Ring, 1/8"-18 O-Ring O-Ring
3	G6408-12 GR1467	1 -	Plug W/O-Ring, 1 1/16"-12 O-Ring O-Ring
4	G6400-10 GR1466	2 -	Connector W/O-Ring, 7/8"-14 Male JIC To O-Ring O-Ring
5	G6400-06 GR1045	2 -	Connector W/O-Ring, 1/2"-18 Male JIC To O-Ring O-Ring
6	G6400-12 GR1467	2 -	Connector W/O-Ring, 1 1/16"-12 Male JIC To O-Ring O-Ring
7	GD16188	1	Valve Block
8	GA11934	1	Relief Valve Cartridge
9	GD6279-05	1	Clear Plastic Tubing, 9/16" O.D. x 60"
10	GD11700	1	Adapter, 1/4" NPT To 3/8" Barb
11	G10681	1	Hose Clamp, No. 6

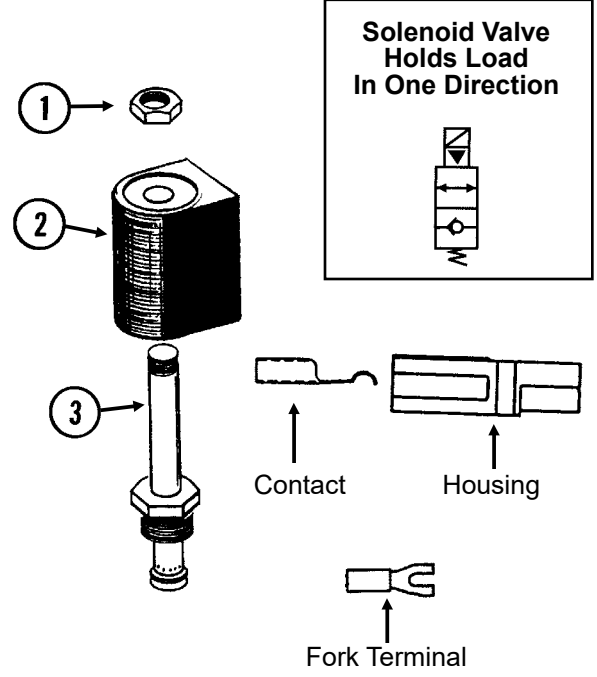
(IP1290)

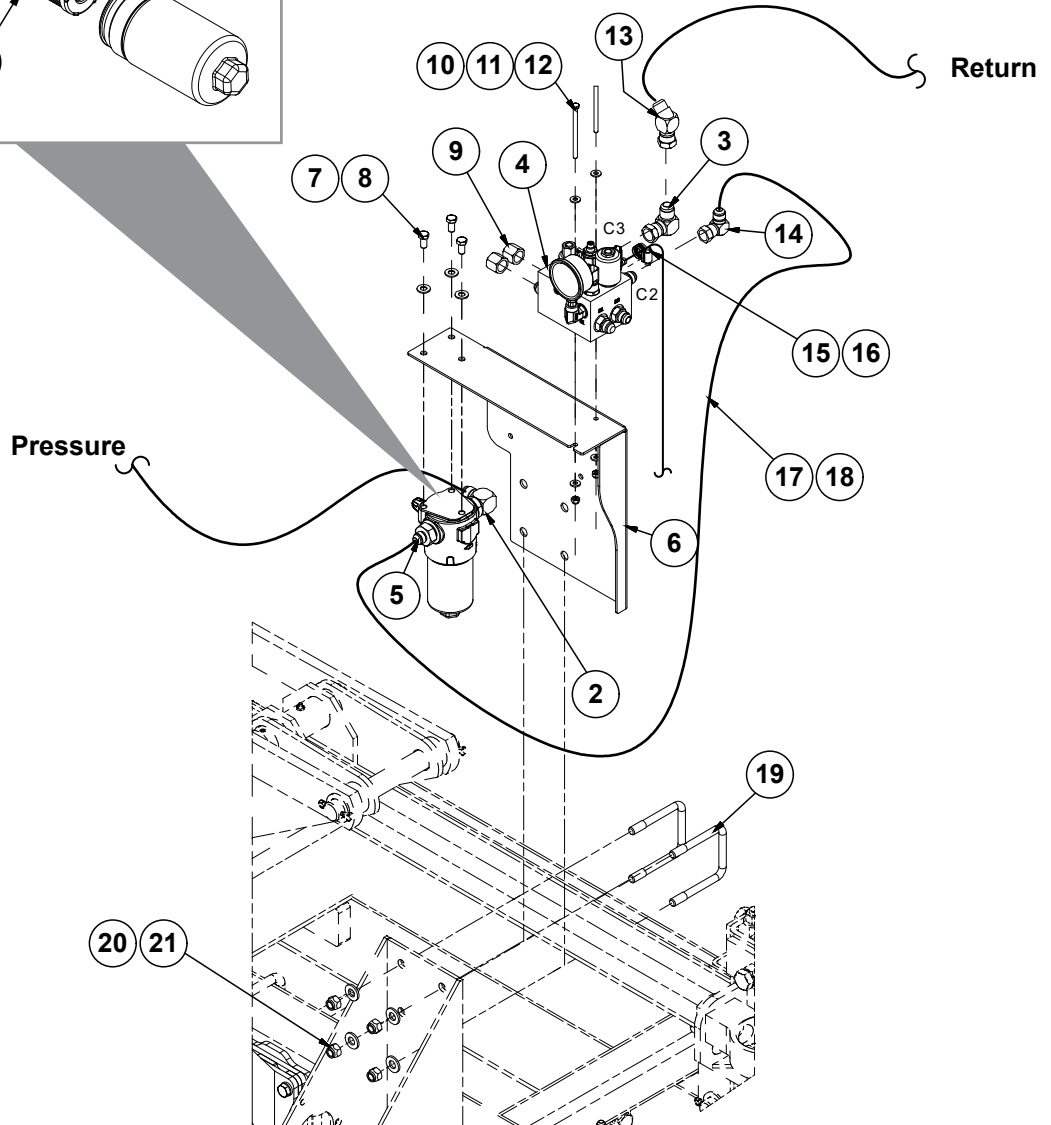
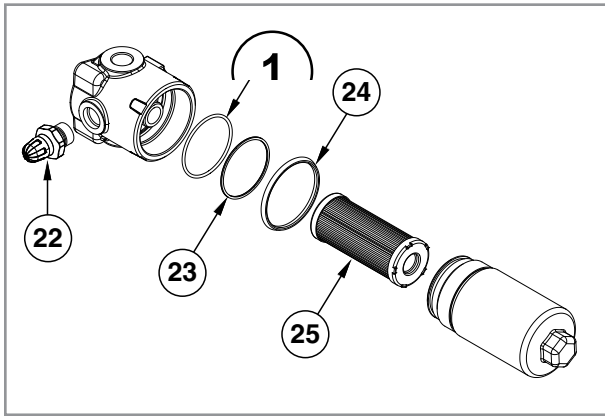


ITEM	PART NO.	QTY.	DESCRIPTION
1	GD19123	1	Bulk Fill Fan Block
2	G6408-06 GR1045	1 -	Plug W/O-Ring, 1/16"-18 O-Ring O-Ring
3	G6400-10-08 GR1037	2 -	Connector W/O-Ring, 7/8"-14 Male JIC To 1/4"-16 O-Ring O-Ring
4	G6500-10	2	Swivel Elbow, 90°, 7/8"-14 Male JIC To Female
5	G6400-12-10	2	Connector W/O-Ring, 1 1/16"-12 JIC To 7/8"-14 O-Ring
6	G6500-12	2	Swivel Elbow, 90°, 1 1/16"-12 Male JIC To Female
7	GA4293 GR2041	1 -	Check Valve Seal Kit (Included W/GA4293)

VVB019(TWL27c/TWL18/PLTR75c/A9481)

ITEM	PART NO.	QTY.	DESCRIPTION
1	GR0761	1	Special Hex Nut, 1/2"-20
2	G1K274	1	Coil Kit W/Contacts, Housings And Fork Terminals
	GD9529	2	Housing, Black (Included W/G1K274)
	GD9530	2	Contact (Included W/G1K274)
	G10996	2	Fork Terminal (Included W/G1K274)
3	GR0763	1	Cartridge
A	G1K275	-	Solenoid Valve Kit W/Solenoid Valve, Contacts, Housings And Fork Terminals
	GD9529	2	Housing, Black
	GD9530	2	Contact
	G10996	2	Fork Terminal
B	GR0764	-	Seal Kit, Includes: (2) O-Rings, (1) BU Ring





ITEM	PART NO.	QTY.	DESCRIPTION
1	**R2367	1	Sealing O-Ring
2	G6801-10-12	1	Elbow W/O-Ring, 90°, 7/8"-14 Male JIC To 1 1/16"-12 O-Ring
3	G6500-10	1	Swivel Elbow, 90°, 7/8"-14 Male JIC To Female
4	---	1	<a href="#">See "Hydraulic Down Force Manifold Block" on page P195</a>
5	G6400-08-12	1	Adapter, 3/4"-16 Male JIC to 1 1/16"-12 O-Ring
6	GD36756	1	Hydraulic Block Mount Bracket
7	G11387	3	Flat Washer, 3/8" SAE
8	G10002	3	Hex Head Cap Screw, 3/8"-16 x 3/4"
9	G304-C-8	2	Cap Nut, 3/4"-16
10	G10110	2	Lock Nut, 1/4"-20, Grade B
11	G11385	4	Flat Washer, 1/4" SAE
12	G11135	2	Hex Head Cap Screw, 1/4"-20 X 3 3/4"
13	G6502-10	1	Swivel Elbow, 45°, 7/8"-14 Male JIC To Female
14	G6500-08	1	Swivel Elbow, 90°, 3/4"-16 Male JIC To Female
15	‡D6279-03	1	Clear PVC Tubing, 3/8" x 28"
16	G10681	1	Hose Clamp, No. 6
17	*A18671-30	1	Hose Assembly, 1/2" x 30" (08F-08F90S)
18	GD10057-20	2	Hose Identification Sleeve, Purple PP
19	GD4743	2	U-Bolt, 3" x 3" x 1/2"-13
20	G11389	4	Flat Washer, 1/2" Plated SAE
21	G10111	4	Lock Nut, 1/2"-13
22	GR2361	1	Flow Indicator
23	†R2366	1	Anti-Extrusion Ring
24	†R2365	1	External O-Ring
25	GD35835	1	Replacement Filter Cartridge

A GA25857 1 In-Line Filter Assembly, Includes Items 22-25

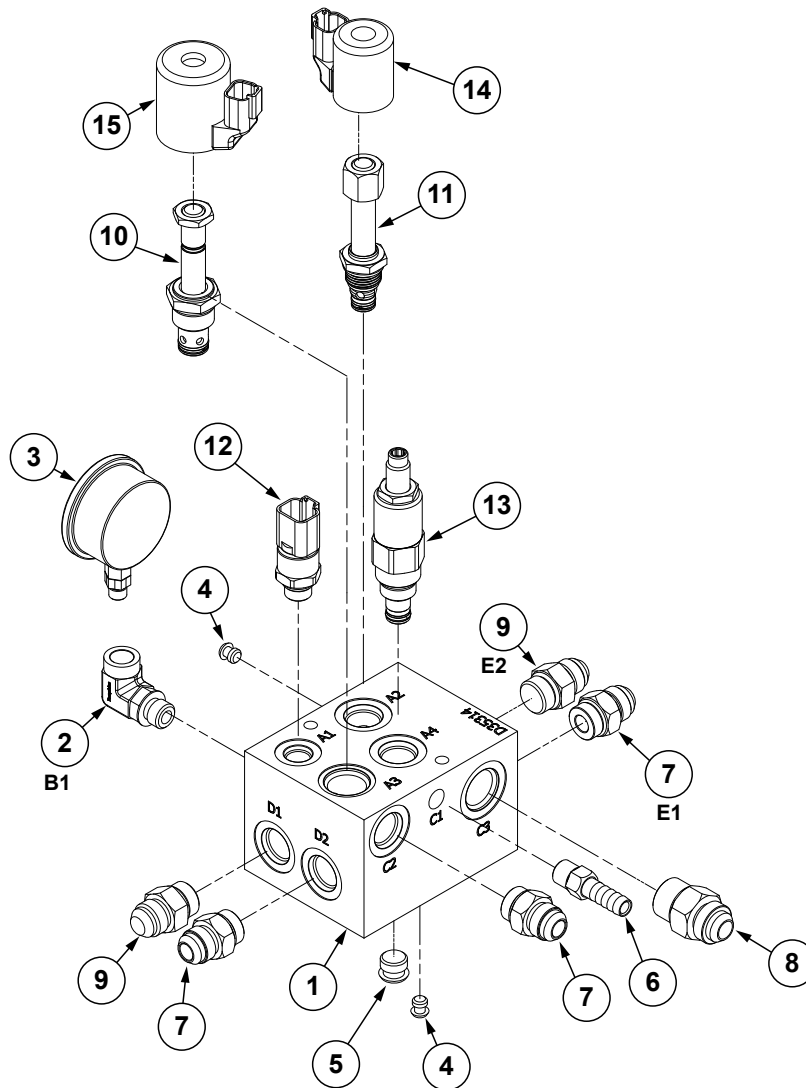
B GR2368 - Seal Kit, Includes: (1) Sealing O-Ring, (1) Anti-Extrusion Ring, (1) External O-Ring

\* Hose not stocked by Kinze repair parts, but is available in bulk. Order GD6279-00.

† Item is part of seal kit, item can not be purchased individually.

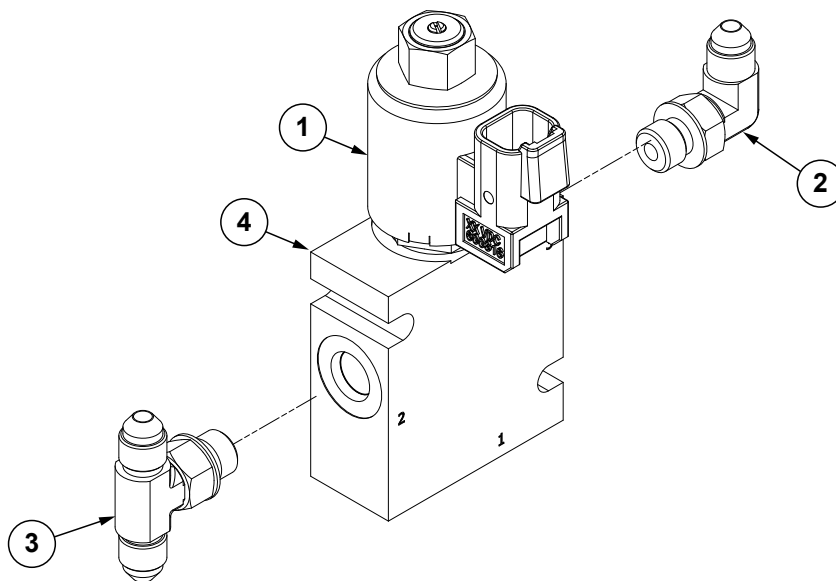
‡ Hose not stocked by Kinze repair parts, but is available in bulk. Order GD6279-00.

(A25289)



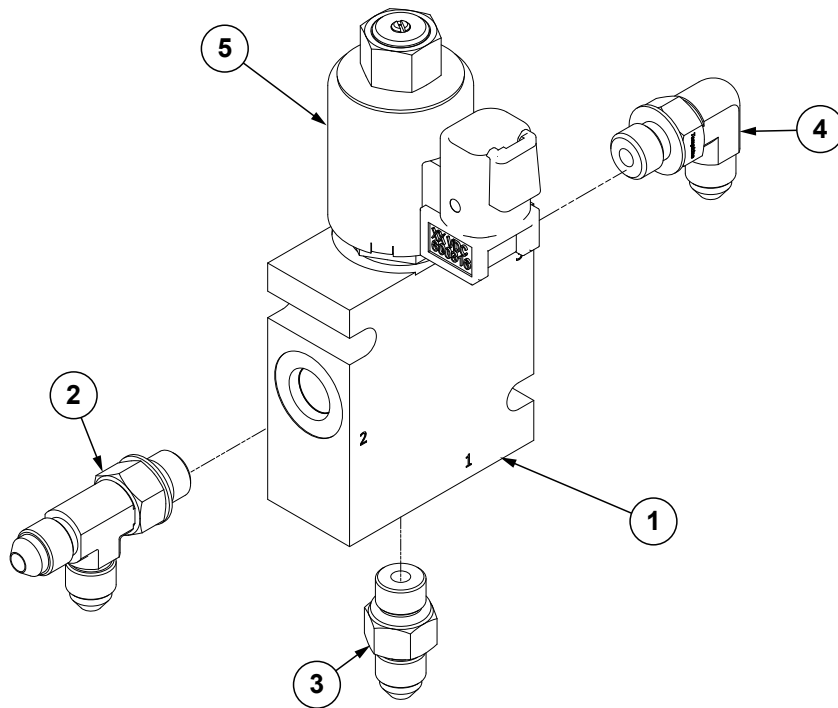
ITEM	PART NO.	QTY.	DESCRIPTION
1	GD35314	1	Manifold Block
2	G6815-06-04	1	90° Adjustable Street Elbow
3	GA26005	1	Pressure Gauge
4	GD29318	2	Plug
5	GD29319	1	Plug
6	GD11700	1	Adapter, 1/4" NPT To 3/8" Barb
7	G6400-08 GR1037	3	Connector W/O-Ring, 3/4"-16 Male JIC To O-Ring
8	G6400-10 GR1466	1	Connector W/O-Ring, 7/8"-14 Male JIC To O-Ring
9	GA20252	2	Check Valve
10	GA25390	1	Solenoid, No. 10, Single Poppet
11	GA25389	1	Solenoid, No. 8, Single Poppet
12	G10568101	1	Pressure Sensor
13	GA25982	1	Direct Relief
14	GA25403	1	Coil, 12V
15	GA25404	1	Coil, 12V

(A25264)



ITEM	PART NO.	QTY.	DESCRIPTION
1	G10941101	1	Manual Override Cartridge Assembly
	GR2287	1	Solenoid Cartridge (Included W/G10941101)
	GR0761	1	Special Hex Nut, 1/2"-20 (Included W/G10941101)
2	G6801-04-04	1	90° Adjustable Elbow, 7/16"-20
3	G6803-04-04-04	1	Adjustable Tee, 7/16"-20
4	GD35271	1	Row Unit Control Block
A	G10945001	-	Row Unit Control Block Sub-Assembly, Items 1 and 4

(A25265)

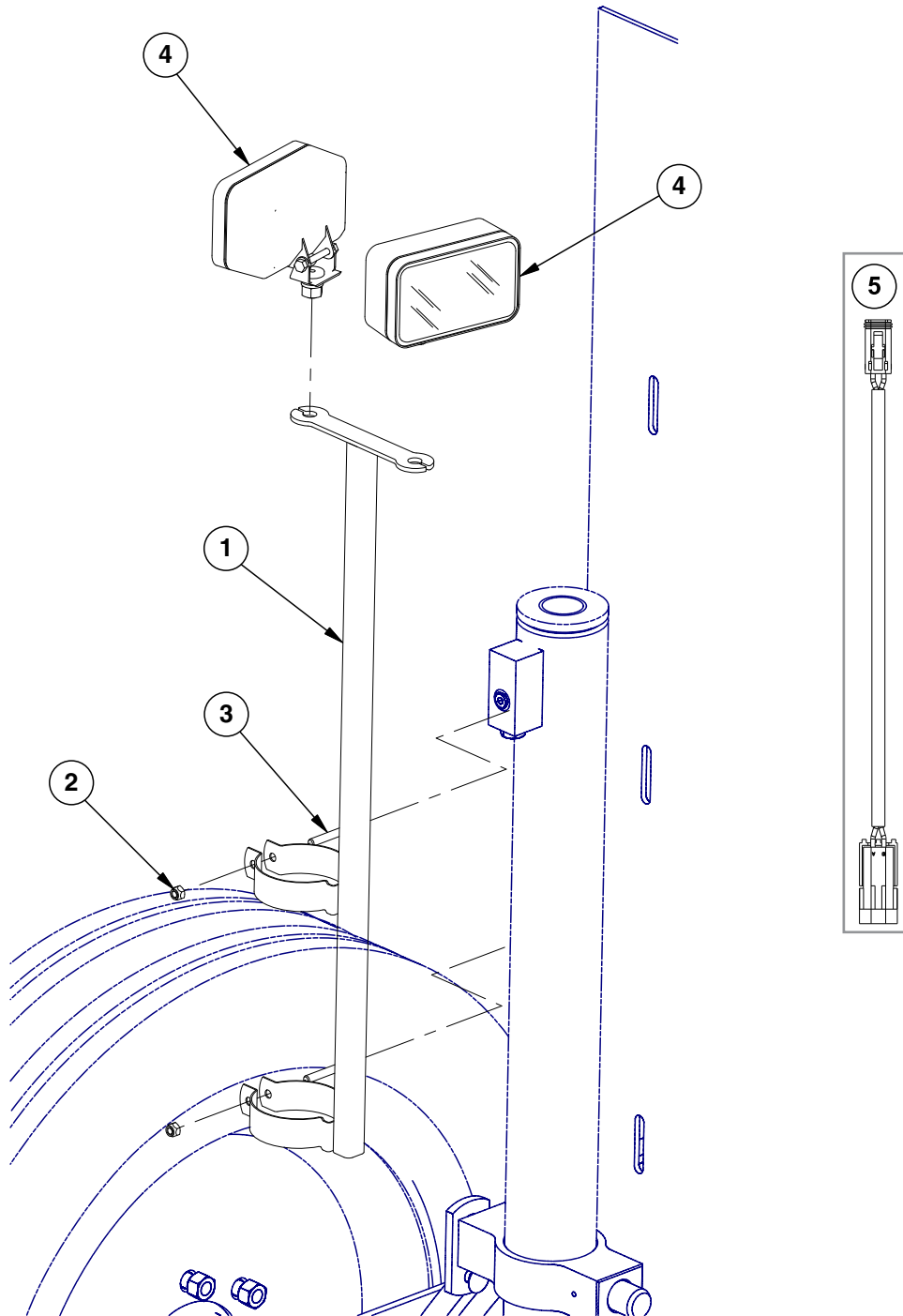


ITEM	PART NO.	QTY.	DESCRIPTION
1	GD35271	1	Row Unit Control Block
2	G6804-04-04-04	1	Adjustable Tee, 7/16"-20
3	G6400-04 GR1465	1 -	Connector W/O-Ring, 7/16"-20 Male JIC To O-Ring O-Ring
4	G6801-04-04	1	90° Adjustable Elbow, 7/16"-20
5	G10941101 GR2287 GR0761	1 1 1	Manual Override Cartridge Assembly Solenoid Cartridge (Included W/GA25286) Special Hex Nut, 1/2"-20 (Included W/GA25286)
A	G10945001	-	Row Unit Control Block Sub-Assembly, Items 1 and 5



**This page left blank intentionally.**

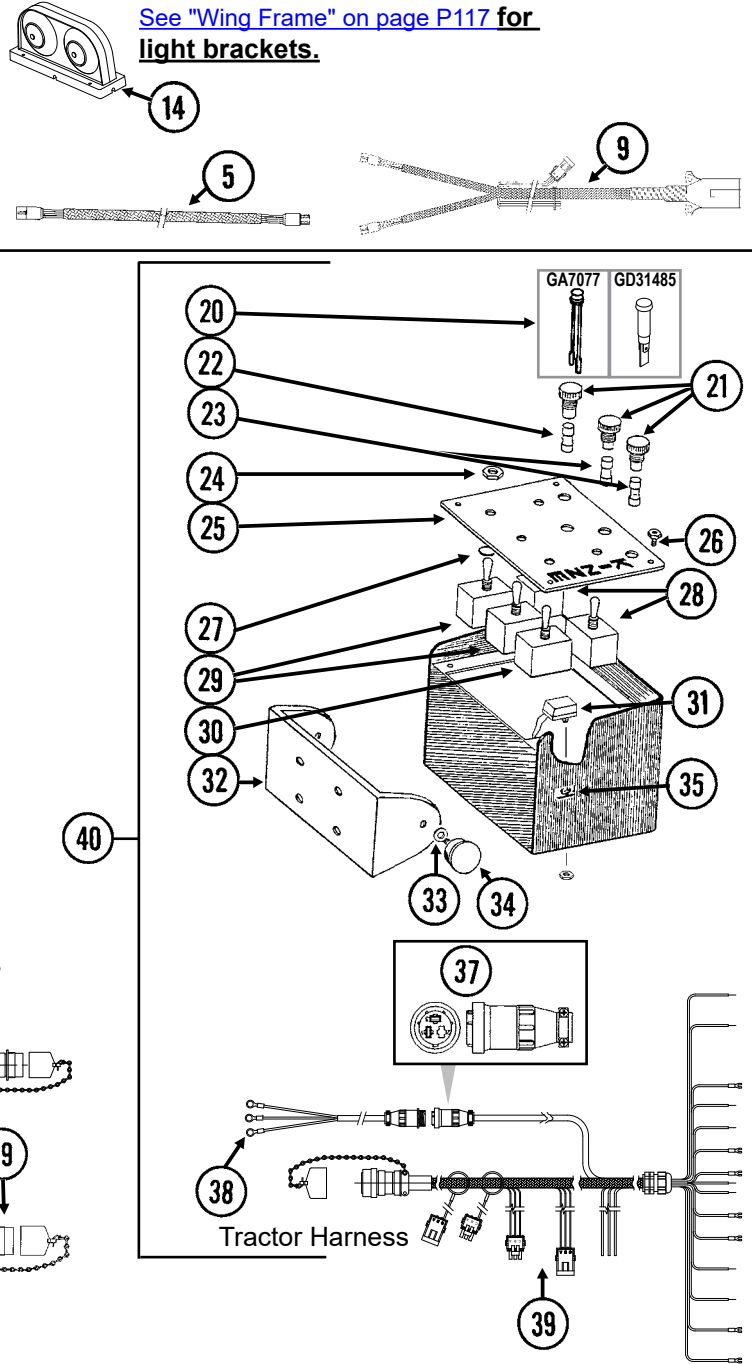
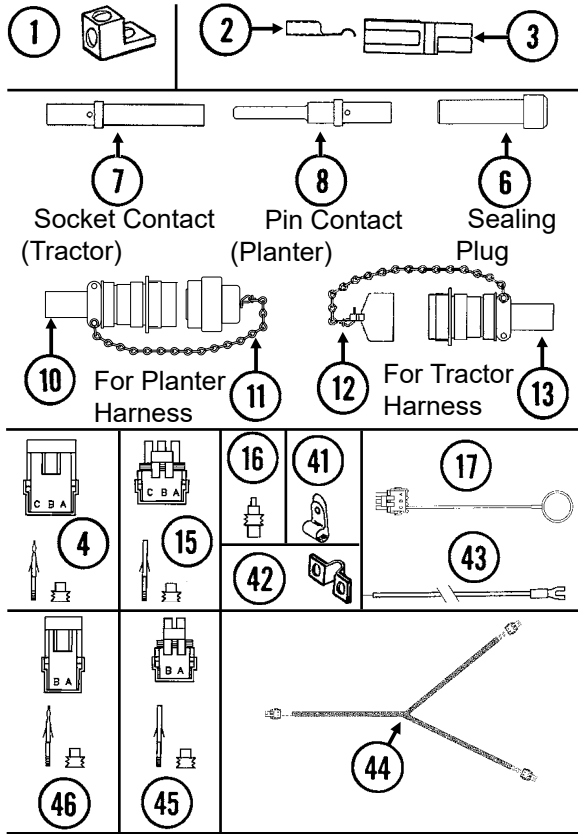
(IP1259)



ITEM	PART NO.	QTY.	DESCRIPTION
1	GA14571	1	Light Mount
2	G10109	2	Lock Nut, 5/16"-18, Grade 8
3	G10041	2	Hex Head Cap Screw, 5/16"-18 x 2"
4	GA18486	2	LED Work Light Assembly
5	GR1923	-	Work Light Extension Harness

**This page left blank intentionally.**

(TWL19a/TWL18/ELC14/ELC3a/ELC5c/MTR27a/ELC39/TWL26e/ELC8/A9481/ELC12b/MTR27i/A9689b/A10924ELC4/FF27b/FF27c/ELC38/A9201a/A9202a/TWL20g/ELC34/ELC35/ELC10c)



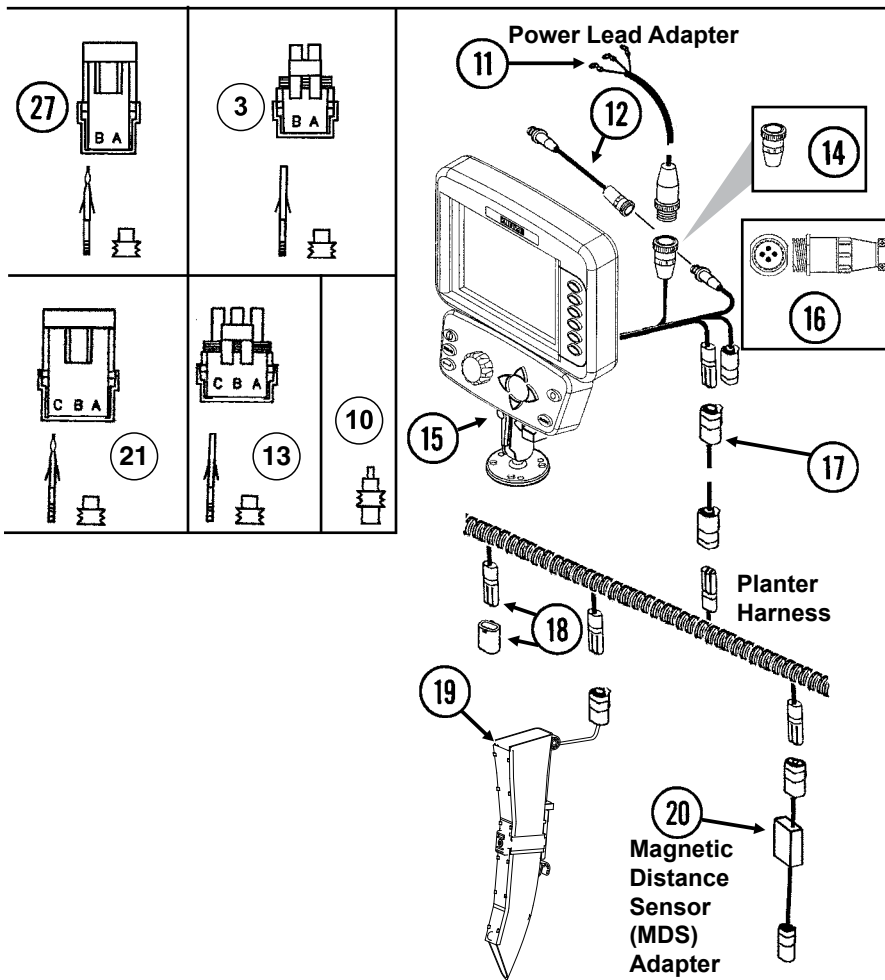
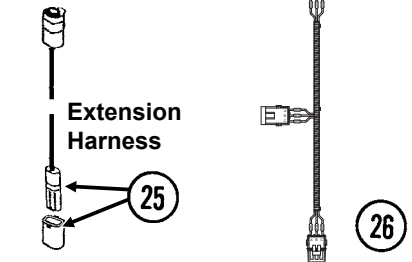
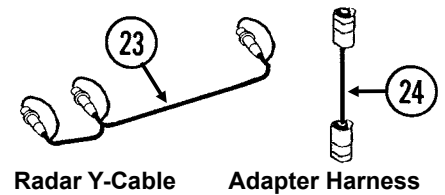
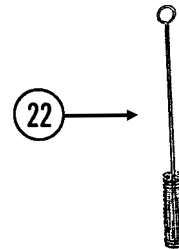
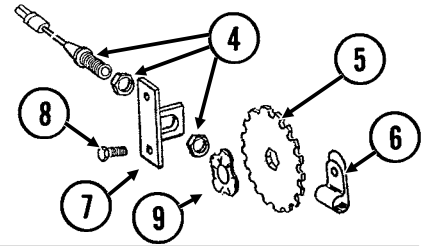
ITEM	PART NO.	QTY.	DESCRIPTION
1	GA3584	-	Ground Clamp
2	GD9530	-	Contact
3	GD9529	-	Housing, Black
	GD12726	-	Housing, Red
4	G1K248	-	3-Pin Female Connector Kit (Black), Includes: (3) 3-Pin Female Housings, (9) Pin Contacts, (9) Seals
5	GA9096	-	Harness Extension, 42"
6	GD8739	-	Sealing Plug, No. 12
7	GD8740	-	Socket Contact, No. 14
8	GD8741	-	Pin Contact, No. 14

ITEM	PART NO.	QTY.	DESCRIPTION
9	GA9202	-	Wiring Harness W/7 Terminal Female Connector, 786" (2 Light Connections), 12 Row 30"
	GA9204	-	Wiring Harness W/7 Terminal Female Connector, 882" (2 Light Connections), 16 Row 30"
	GA5385	-	7 Terminal Female Connector (Included W/GA9202 and GA9204)
10	GA6109	1	Connector W/Cable Clamp, 23 Pin Capacity
11	GD32092	-	Dust Cap W/Chain
12	GD27654	-	Dust Cap W/Chain
13	GA6108	1	Connector W/Cable Clamp, 23 Socket Capacity
14	G10842301	1	Double Light Assembly (Shown)
	G10842401	1	Double Light Assembly
	G10842501	1	Single Amber Light Assembly
15	G1K252	-	3-Pin Male Connector Kit (Black), Includes: (3) 3-Pin Male Housings, (9) Socket Contacts, (9) Seals
16	GD11089	-	Sealing Plug
17	GA8047	-	Dust Plug (Black)
18	GA16338	1	3600 Planter Cable, 12 Row 30"
	GA16339	-	3600 Planter Cable, 16 Row 30"
19	GA11736	-	Harness Extension W/Dust Caps, 180"
20	GA7077	1-4	Indicator Light
	GD31485	1	LED Indicator Light
21	GA2612	3-5	Fuse Holder W/Spade, 1 <sup>33</sup> / <sub>50</sub> "
22	GD2829	1-2	Fuse, 15 Amp, Type AGC
23	GD10243	2-6	Fuse, MDL 10 Amp Delay Action
24	GR1363	5	Hex Face Nut, 1 <sup>5</sup> / <sub>32</sub> "-32
	GR1364	5	Internal Tooth Lock Washer, 1 <sup>5</sup> / <sub>32</sub> "
25	GA8734	1	Cover Plate (Shown)
	GA8735	-	Cover Plate, Planters Equipped With Two-Speed Point Row Clutch
26	GR1292	4	Pan Head Screw, No. 8-32 x 1/2"
27	GD3860	-	O-Ring (If Applicable)
28	GA2528	2	Switch, 3 Position Toggle, On-Off-On
29	GA6978	2	Switch, 3 Position Toggle, Momentary On-Off-Momentary On
30	GA6977	1-2	Switch, 2 Position Toggle, On-Off
31	GA8731	1	Switch, Push Button W/Transformer
32	GD9896	1	Mounting Bracket
33	G11385	4	Flat Washer, 1/4" SAE
34	GA6975	2	Knob
35	GR1290	2	Cage Nut, 1/4"-20
36	---	---	---
37	G1K268	-	Console Cable Connector Kit, Includes: (1) 3-Pin Connector, (1) Cable Clamp, (1) Lock Ring, (3) Female Terminal Pins
38	GA17547	1	Power Adapter Cable
39	GA16340	1	Control Box Cable
40	G7633X	-	Backlit Control Console Assembly W/Mounting Brackets, Short Harness W/Dust Cap And Power Cable
	G7639X	-	Backlit Control Console Assembly W/Mounting Brackets, Short Harness W/Dust Cap And Power Cable (Planters Equipped With Two-Speed Point Row Clutch)
41	GD22965	-	Insulated Clamp, 1/4"
	GD6291	-	Insulated Clamp, 3/8"
	GD13348	-	Insulated Clamp, 1 <sup>1</sup> / <sub>16</sub> "
42	GD13310	-	Jumper, 7/16"
43	GA9481	-	Jumper Wire W/Fork Terminal, 13"
	G10996	-	Fork Terminal
44	GA10924	1	Wiring Harness, 348"
	GA5385	-	7 Terminal Female Connector
45	G1K320	-	2-Pin Male Connector Kit (Black), Includes: (3) 2-Pin Male Housings, (6) Socket Contacts, (6) Seals
46	G1K321	-	2-Pin Female Connector Kit (Black), Includes: (3) 2-Pin Female Housings, (6) Pin Contacts, (6) Seals

**NOTE:** See ["Point Row Clutch" on page P139](#) for R.H. and L.H. Wiring Harness for the point row clutches. See ["KPM III Electronic Seed Monitor" on page P203](#) for those components.

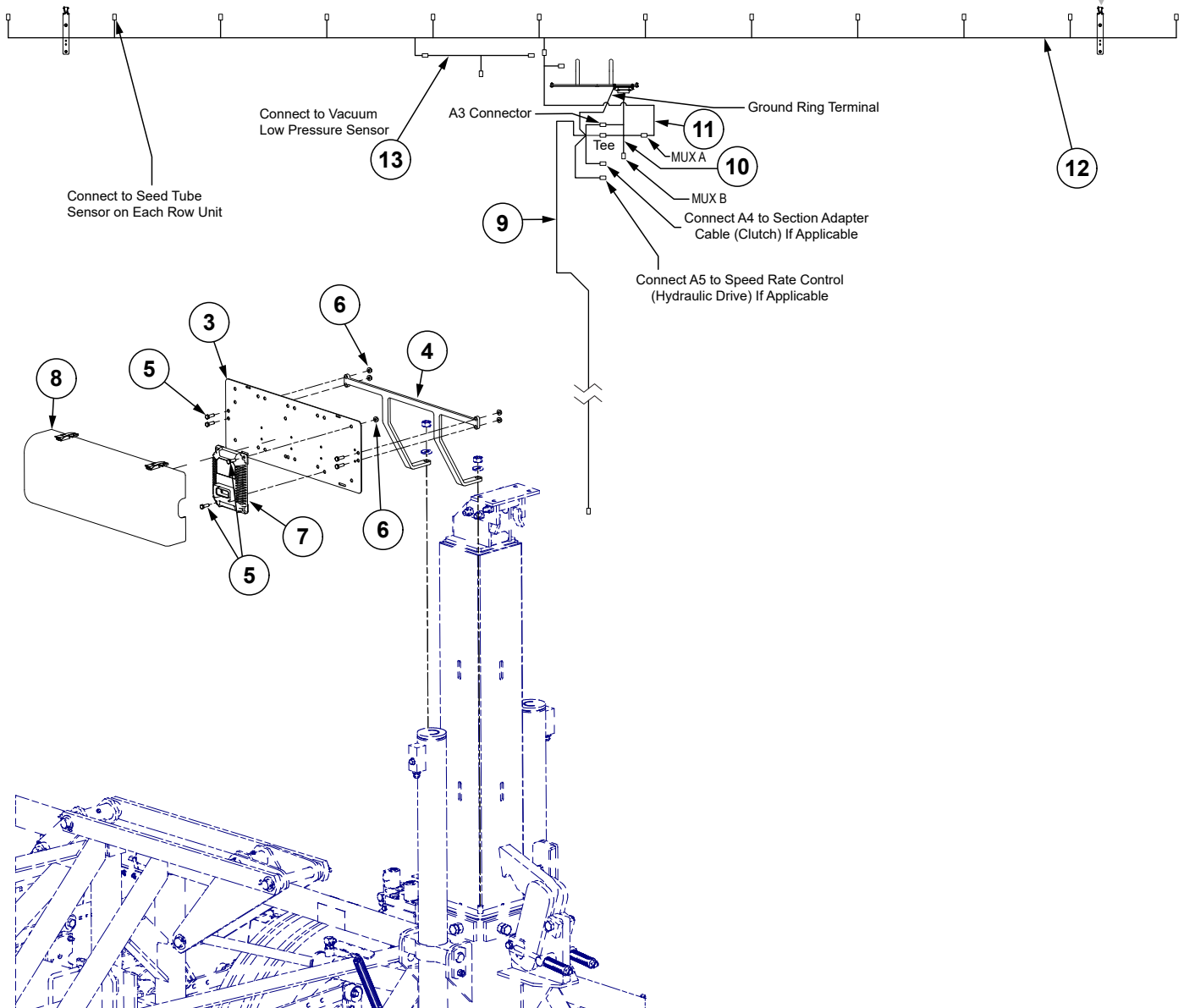
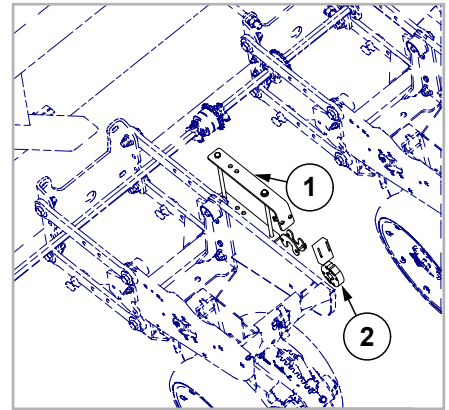
(MTR59)

Magnetic Distance Sensor (MDS)



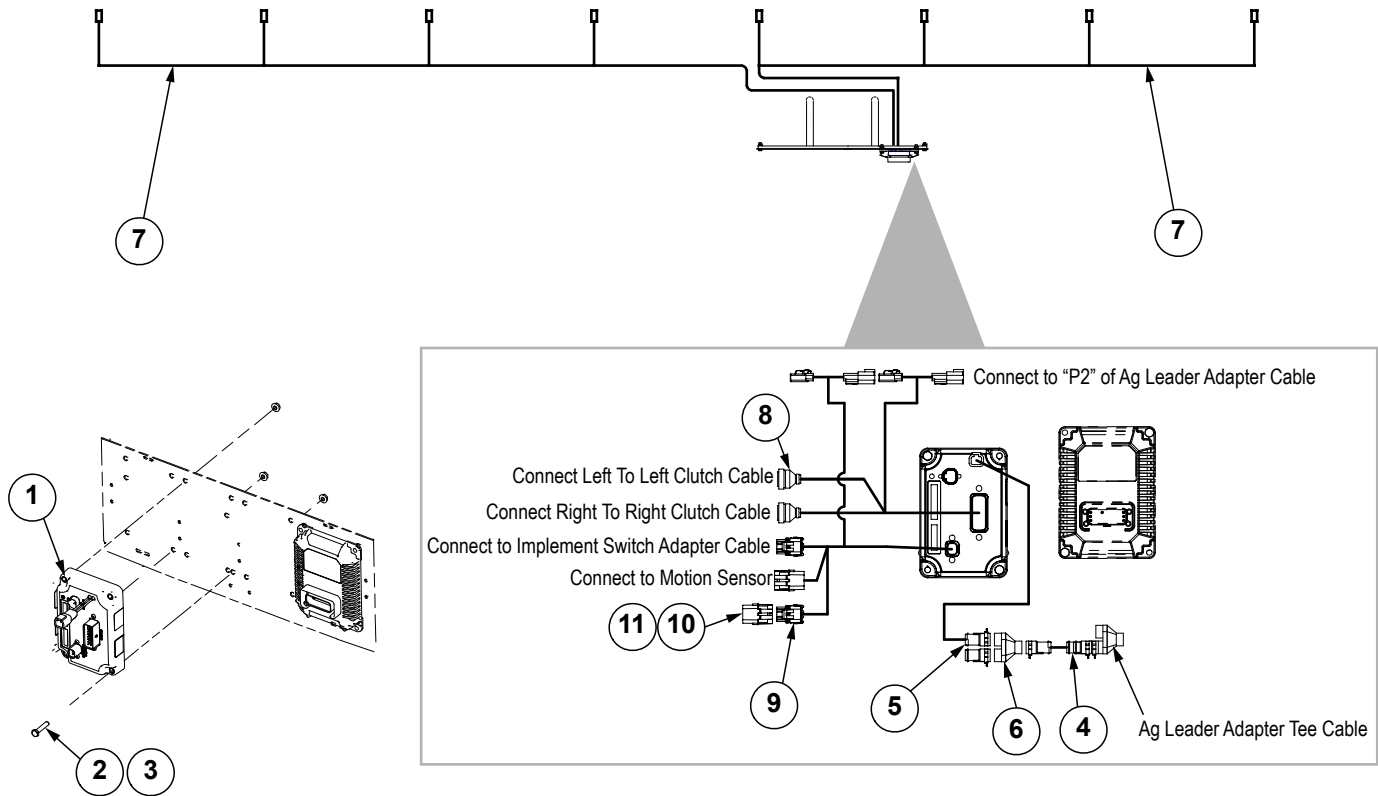
ITEM	PART NO.	QTY.	DESCRIPTION
1	GA8047	-	Dust Plug (Black)
	GA9979	-	Dust Plug (Blue)
2	GA8046	-	Dust Plug (Black)
	GA9978	-	Dust Plug (Blue)
3	G1K320	-	2-Pin Male Connector Kit (Black), Includes: (3) 2-Pin Male Housings, (6) Socket Contacts, (6) Seals
4	GA5600	1	Magnetic Distance Sensor
5	GD8751	-	Magnetic Distance Sensor Pulse Wheel
6	GD13348	-	Insulated Clamp, 1 <sup>1</sup> / <sub>16</sub> "
7	GD8770	1	Bracket
8	G11124	2	Hex Serrated Flange Cap Screw, 3/8"-16 x 1"
	G10229	2	Lock Washer, 3/8"
	G10101	2	Hex Nut, 3/8"-16
9	GD8771	1	Spring Wave Washer
10	GD11089	-	Sealing Plug
11	GA17547	1	Power Lead Adapter
12	GA9144	-	Monitor/Radar Adapter Cable, 10"
13	G1K252	-	3-Pin Male Connector Kit (Black), Includes: (3) 3-Pin Male Housings, (9) Socket Contacts, (9) Seals
	G1K363	-	3-Pin Male Connector Kit (Blue), Includes: (3) 3-Pin Male Housings, (9) Socket Contacts, (9) Seals
14	G1K268	-	Console Cable Connector Kit, Includes: (1) Cable Clamp, (1) 3-Pin Connector, (1) Lock Ring, (3) Female Terminal Pins
15	G8647x	-	KPM III Backlit Console W/Brush (Item 22), Dust Plug (Item 33), Console Mounting Bracket Hardware And Power Harness
	GA12403	-	Mounting Bracket Assembly, Includes: (2) Mounting Brackets, (2) Connector Halves, (1) Compression Spring, (1) Tension Knob, (1) 1/4"-20 x 1 3/4" Hex Head Cap Screw, (1) 1/4" Plastic Washer, (1) 1/4" Steel Washer
	GR1762	-	Console Mounting Bracket Hardware Package, Includes: (3) No. 10-32 x 5/8" Hex Socket Pan Head Screws, (3) No. 10 Lock Washers (Included W/G8647X)
	GA16082	-	Power Harness (Included W/G8647X)
16	G1K322	-	4-Pin Connector Kit W/Male Housing, Includes: (4) Female Socket Contacts And (1) Cable Clamp
17	---	-	See Tractor/Planter Wiring Harness, Items 18 And 39 on page P201
18	GA7852	-	Planter Harness W/Dust Caps (20 Connectors)
	GB1090	-	Dust Cap
19	G10745401	-	Seed Tube W/Computerized Sensor
	GA20902	-	Seed Tube (With Holes For Sensor Installation) (Included W/G10745401)
20	GA7859	1	Magnetic Distance Sensor Adapter (Analog To Digital)
21	G1K248	-	3-Pin Female Connector Kit (Black), Includes: (3) 3-Pin Female Housings, (9) Pin Contacts, (9) Seals
	G1K362	-	3-Pin Female Connector Kit (Blue), Includes: (3) 3-Pin Female Housings, (9) Pin Contacts, (9) Seals
22	GR0594	-	Brush
23	GR0586	1	Radar Y-Cable (Used To Connect Radar Distance Sensor For Multiple Functions)
24	GA7857	-	Adapter Harness, 1'
25	GA7854	-	Extension Harness W/Dust Cap, 15'
	GA7855	-	Extension Harness W/Dust Cap, 30'
	GB1090	-	Dust Cap (Included W/GA7854 and GA7855)
26	GA7853	-	Junction Y-Harness W/Dust Cap
	GB1090	-	Dust Cap (Included W/GA7853)
27	G1K321	-	2-Pin Female Connector Kit (Black), Includes: (3) 2-Pin Female Housings, (6) Pin Contacts, (6) Seals
A	GA6147	-	Magnetic Distance Sensor And Mounting Package (Items 4-9)
B	GR1763	-	KPM III Loaner (Display Only)

(103002)



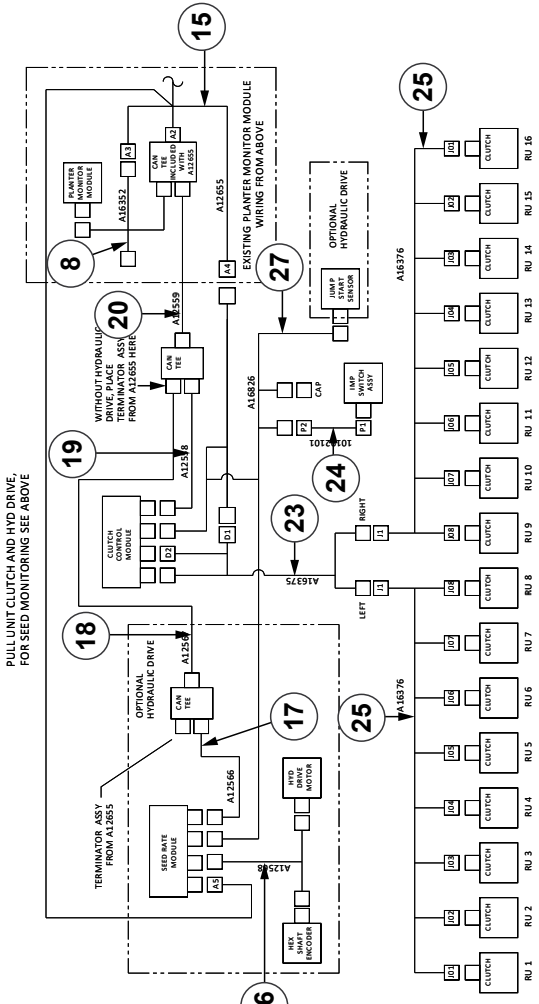
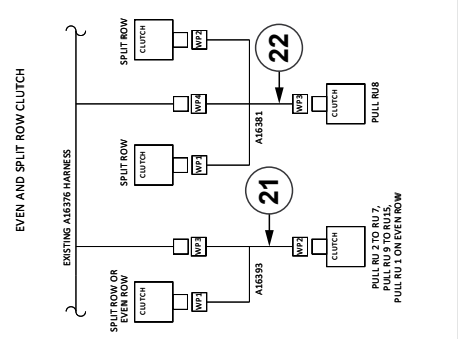
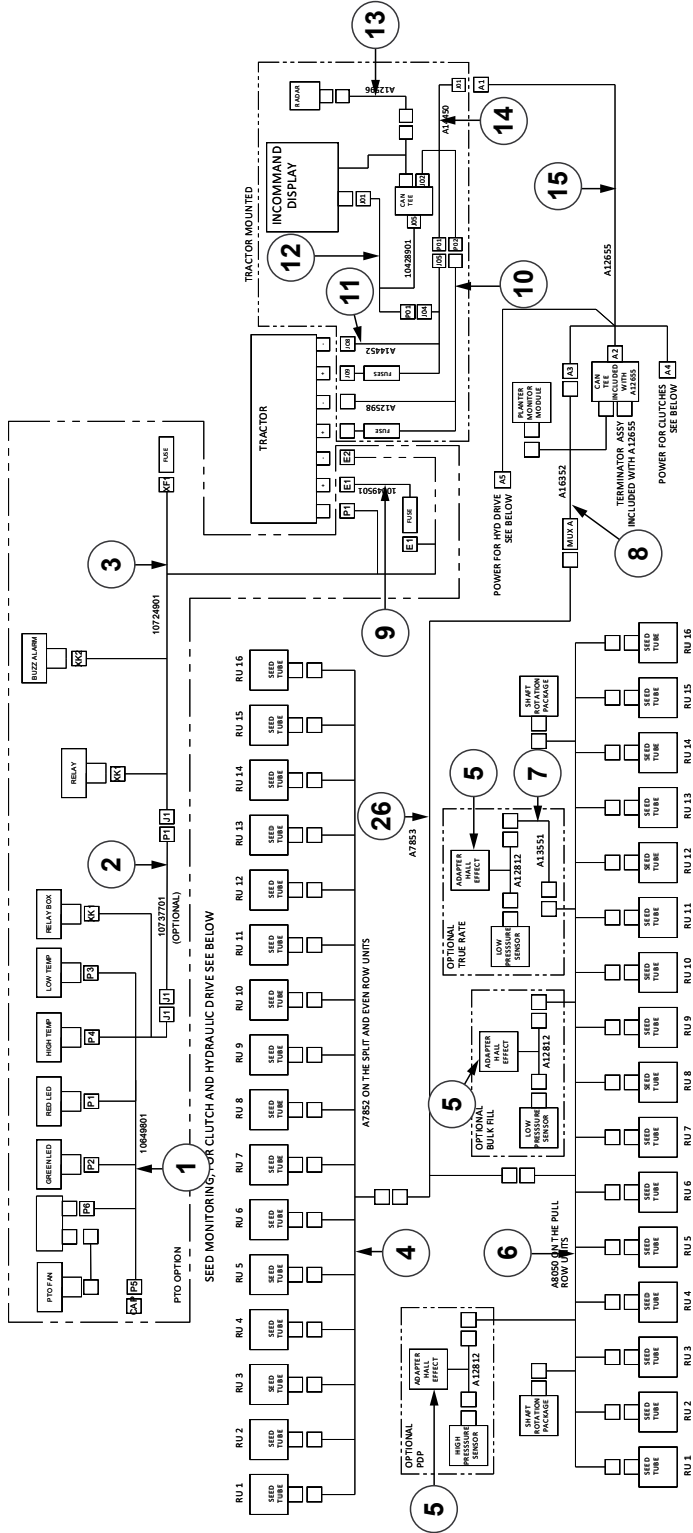


ITEM	PART NO.	QTY.	DESCRIPTION
1	---	1	<a href="#">See "Shaft Rotation Sensor" on page P211</a>
2	---	1	<a href="#">See "Shaft Rotation Sensor" on page P211</a>
3	GD18013	1	Bracket
4	GD19295	1	Support
5	G10019	6	Hex Head Cap Screw, 5/16"-18 x 1"
6	G10620	6	Serrated Flange Nut, 5/16"-18
7	GA16351	1	Planter Monitor Module
8	GA12563	1	Module Cover Assembly W/Lock Clamps
9	GA12555	1	Implement Cable (12 Row)
	GA12655	1	Implement Cable (16 Row)
10	GA16352	1	PMM Cable
11	GA7853	1	Junction Y-Harness W/Dust Cap
	GB1090	-	Dust Cap
12	GA7852	1	Planter Harness W/Dust Caps, 12 Row (20 Connectors)
	GA8050	1	Planter Harness W/Dust Caps, 16 Row (22 Connectors)
	GD11993	-	Dust Cap
13	GA13551		Tee Junction Harness

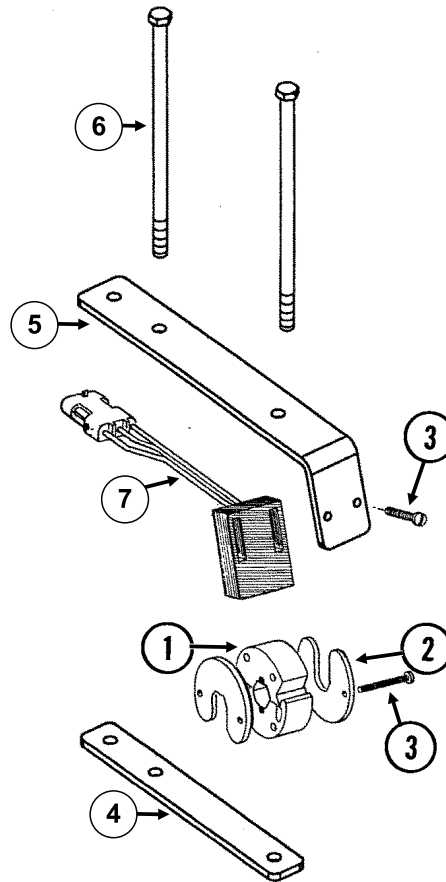


ITEM	PART NO.	QTY.	DESCRIPTION
1	GA12537	1	Clutch Control Module
2	G10133	2	Hex Head Cap Screw, 5/16"-18 x 1 1/2"
3	G10620	2	Serrated Flange Nut, 5/16"-18
4	GA12559	1	Can Extension Cable, 5"
5	GA12558	1	Can Stub Cable, 8"
6	GD18176	1	Y-Splice Connector
7	GA16383	2	Clutch Cable, 12 Row (6 Connectors)
	GA16376	2	Clutch Cable, 16 Row (8 Connectors)
8	GA16382	1	Section Adapter Cable (2 Row), 12 Row
	GA16375	2	Section Adapter Cable (2 Row), 16 Row
9	GA16826	1	Implement Switch Extension Cable
10	GD11079	1	3 Pin Receptacle, Black
11	GD11089	3	Sealing Plug

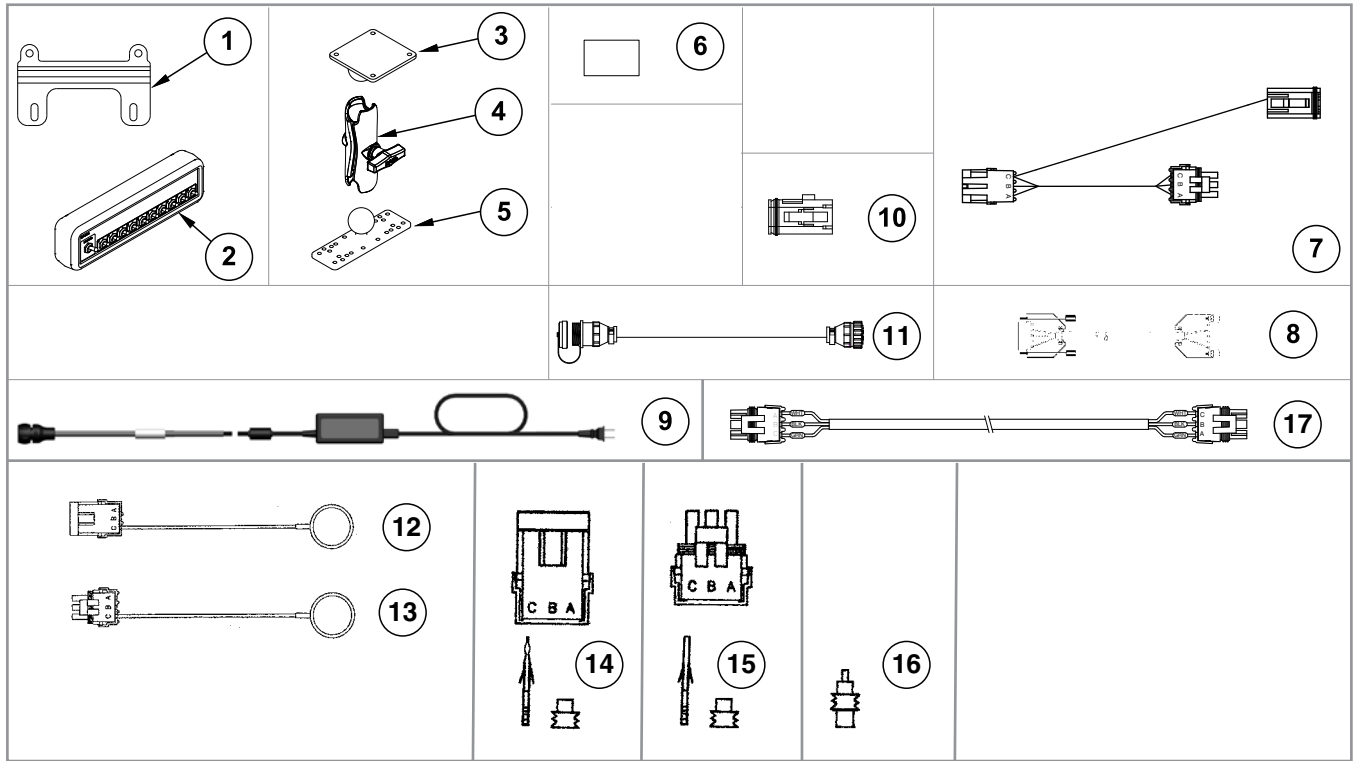
**This page left blank intentionally.**



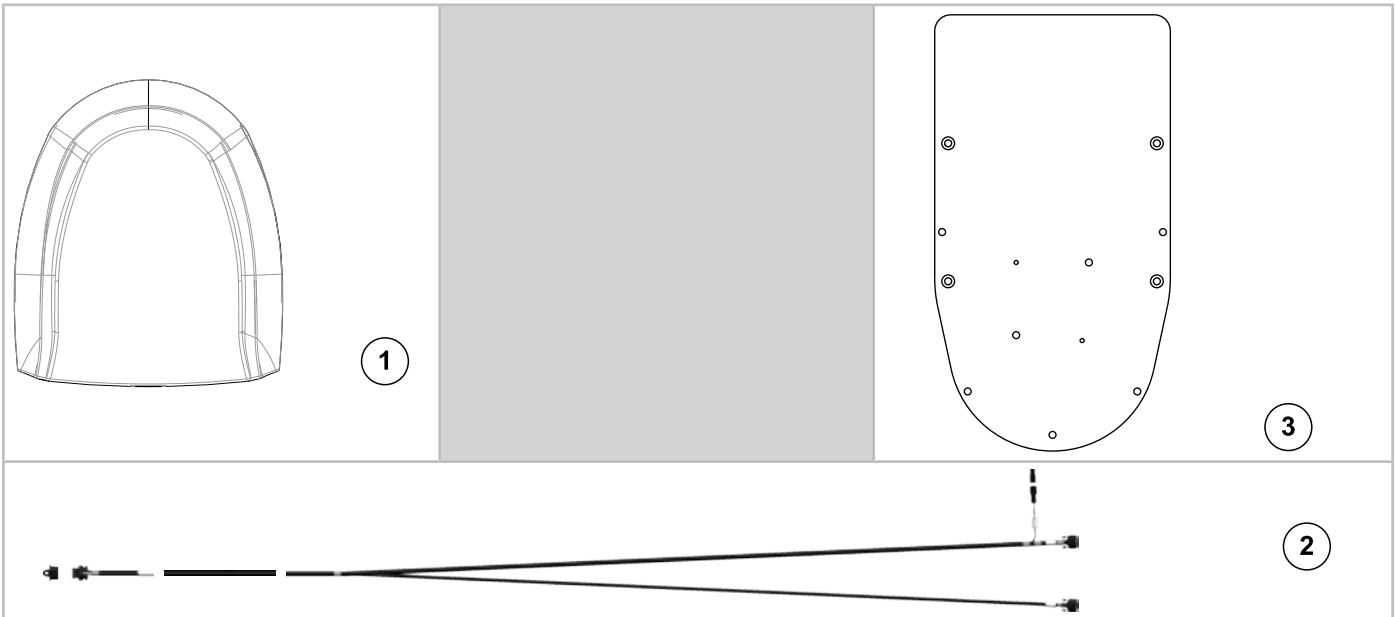
ITEM	PART NO.	QTY.	DESCRIPTION
1	G10649801	1	PTO Harness
2	G10737701		PTO Extension Harness
3	G10724901	1	PTO Tractor Power Harness
4	GA7851	1	Planter Harness W/Dust Caps, 12 Row (16 Connectors)
	GA7852	1	Planter Harness W/Dust Caps, 16 Row (20 Connectors)
	GD11993		Dust Cap
5	GA12812	1	Hall Effect Adapter
6	GA7852	1	Planter Harness W/Dust Caps, 16 Row (20 Connectors)
	GA8050	1	Planter Harness W/Dust Caps, 18 Row (22 Connectors)
	GD11993	-	Dust Cap
7	GA13551	1	Tee Junction Harness
8	GA16352	1	PMM Cable
9	G10049501		Tractor Battery Connection Harness and Fuse Kit
10	GA12598	1	Seed Rate Power Cable
11	GA14452	1	Power Cable
12	G10428901	1	InCommand Display Cable
13	GA12596	1	Radar Adapter Cable
14	GA14450	1	CAN Adapter Cable
15	GA12555	1	Implement Cable, 12 Row
	GA12655	1	Implement Cable, 16 Row
16	GA12568	1	Seed Rate Cable
17	GA12566	1	Cab Stub Cable, 6" (Hydraulic Drive)
18	GA12567	1	Can Extension Cable, 4" (Hydraulic Drive)
19	GA12558	1	Can Stub Cable, 8"
20	GA12559	1	Can Extension Cable, 5"
21	GA16393	14	Split Row Cable (2 Rows)
22	GA16381	1	Split Row Cable (3 Rows)
23	GA16382	1	Section Adapter Cable (2 Row), 12 Row
	GA16375	1	Section Adapter Cable (2 Row), 16 Row
24	G10192101	1	Implement Switch Adapter Harness
25	GA16383	2	Clutch Cable, 12 Row (6 Connectors)
	GA16376	2	Clutch Cable, 16 Row (8 Connectors)
26	GA7853	1	Junction Y-Harness W/Dust Cap
	GB1090	-	Dust Cap
27	GA16826	1	Implement Switch Extension Cable



ITEM	PART NO.	QTY.	DESCRIPTION
1	GR1414	1	Actuator
2	GD11474	2	Cover
3	G11960	8	Phillips Pan Head Machine Screw, No. 8-32 x 1½", Staninless Steel
	G11961	4	Flat Washer, No. 8
	G11202	8	Lock Nut W/Nylon Insert, No. 8-32, Stainless Steel
4	GD18168	2	Mount
5	GD18118	2	Shaft Sensor Mount
6	G10229401	8	Hex Head Cap Screw, ⅜"-16 x 8"
	G11387	4	Lock Washer, ⅜"
	G10108	8	Hex Nut, ⅜"-16
7	GR1415	1	Rotation Sensor
A	GA13521	-	Shaft Sensor Mounting Package (Items 2-3 and 4-6)
B	GA8135	-	Shaft Rotation Kit, Includes: (2) Actuators (2) Rotation Sensors



ITEM	PART NO.	QTY.	DESCRIPTION
1	GR2279	1	Switch Box Bracket
	G12103	4	Lock Washer, M6
	G12212-08	4	Phillips Pan Head Machine Screw, M6-1.0 x 8, Grade 2
2	GA12539	1	Switch Box Module
3	GD18408	1	Ram Vesa Base
4	GA12868	1	Ram Double Socket Arm
5	GD18407	1	Ram Base
6	GA14449	1	Flash Drive (InCommand)
7	GA13572	1	Multi-Product Cable
8	GA12853	1	Null Modem Cable
9	GA24649	1	Power Supply (InCommand)
10	GR1839	1	Dust Plug
11	GA13562	-	Cable Extension, 15' (Ag Leader)
12	GA8046	-	Dust Plug (Black)
	GA9978	-	Dust Plug (Blue)
13	GA8047	-	Dust Plug (Black)
	GA9979	-	Dust Plug (Blue)
14	G1K248	-	3-Pin Female Connector Kit (Black), Includes: (3) 3-Pin Female Housings, (9) Pin Contacts, (9) Seals
	G1K362	-	3-Pin Female Connector Kit (Blue), Includes: (3) 3-Pin Female Housings, (9) Pin Contacts, (9) Seals
15	G1K252	-	3-Pin Male Connector Kit (Black), Includes: (3) 3-Pin Male Housings, (9) Socket Contacts, (9) Seals
	G1K363	-	3-Pin Male Connector Kit (Blue), Includes: (3) 3-Pin Male Housings, (9) Socket Contacts, (9) Seals
16	GD11089	-	Sealing Plug
17	GA16923	-	Dickey John Adapter Cable
A	GA14448	-	Ram Mount Hardware Kit



ITEM	PART NO.	QTY.	DESCRIPTION
1	G10254901	1	GPS Receiver
2	G10254701	1	GPS Dual Port Harness
3	G10254801	1	GPS Mount Bracket

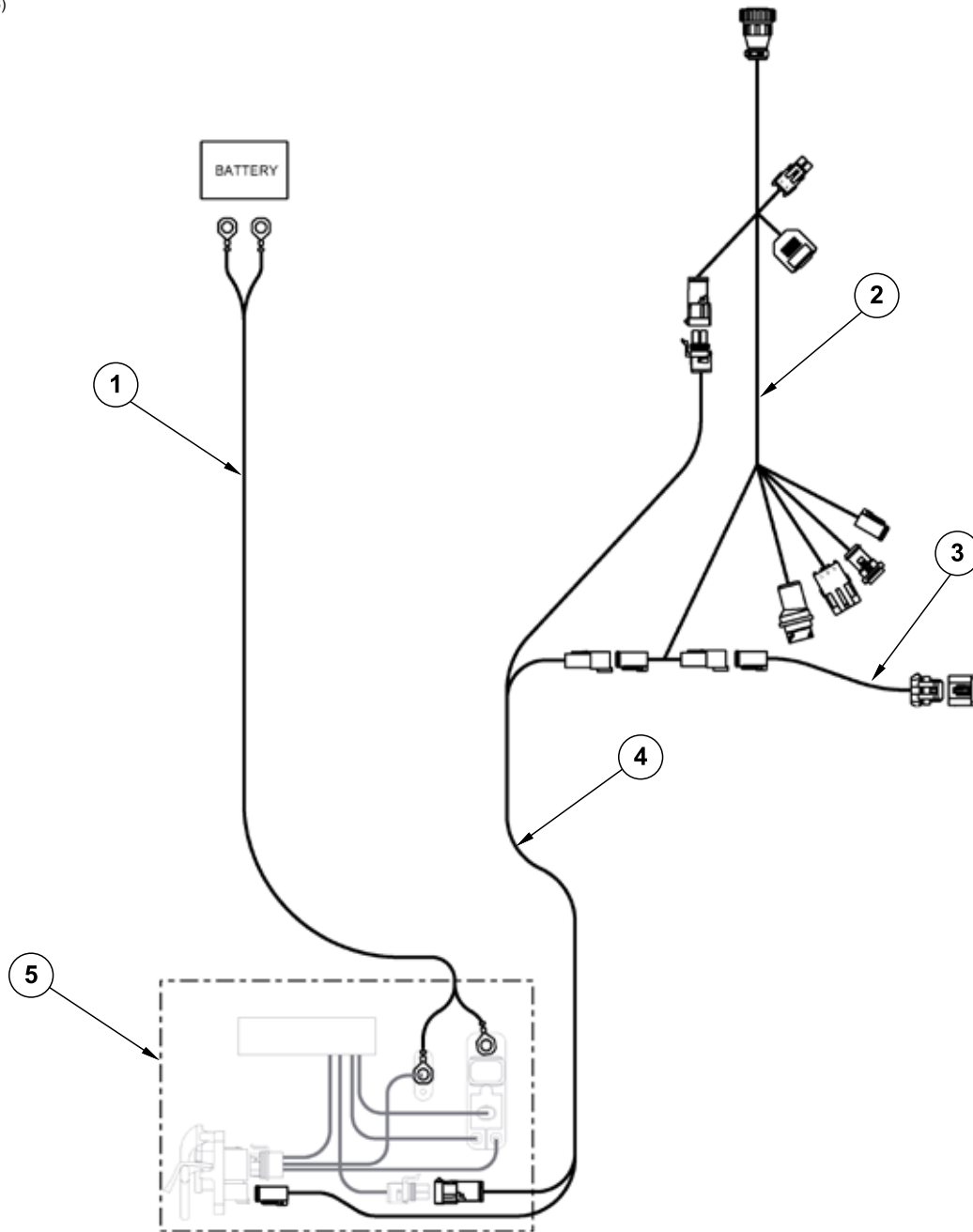


**This page left blank intentionally.**



ITEM	PART NO.	QTY.	DESCRIPTION
1	GA15881	1	ISOBUS Implement Cable, 456", 12 Row
	GA15907	-	ISOBUS Implement Cable, 540", 16 Row
2	GD22968	1	Terminatin Bias Circuit
3	GA15883	1	CAN Jumper Cable
4	GD22975	1	Y-Splitter, 2-Way
5	GA15290	1	ISOBUS Planter Monitor Module
6	GD22974	1	Terminating Resistor, 2-Way DTM
7	GA16343	1	Jump Start Cable
8	GA12812	1	Hall Effect Adapter
9	GA16382	1	Section Adapter Cable, 12 Row (2 Row)
	GA16375	-	Section Adapter Cable, 16 Row (2 Row)
10	GA16383	2	Clutch Cable (6 Connectors), 12 Row
	GA16376	-	Clutch Cable (8 Connectors), 16 Row
11	GA17200	-	Adapter Clutch HS Driver Cable
12	GA16374	-	<a href="#">See "Ag Leader Electric Clutch" on page P9</a>
13	GA16826	-	Implement Switch Extension Cable
14	GA16829	-	<a href="#">See "Parallel Arms, Mounting Support Plate, and Quick Adjustable Down Forces Springs Option" on page P7</a>
15	GA12565	1	Encoder Module
16	---	-	<a href="#">See "Hydraulic Motor Assembly" on page P187</a>
17	GA15884	1	Rate Control Cable
18	GA15288	1	Product Control Module
19	GA15882	1	Product Control Module Cable
20	GA16393	1	Interplant Cable (2 Rows)
	GA16381	-	Interplant Cable (3 Rows)
21	GA16350	-	ISOBUS Extension Cable
22	GA7853	-	Junction Y-Harness W/Dust Cap
	GB1090	-	Dust Cap (Included W/GA7853)
23	GA12568	-	Seed Rate Cable

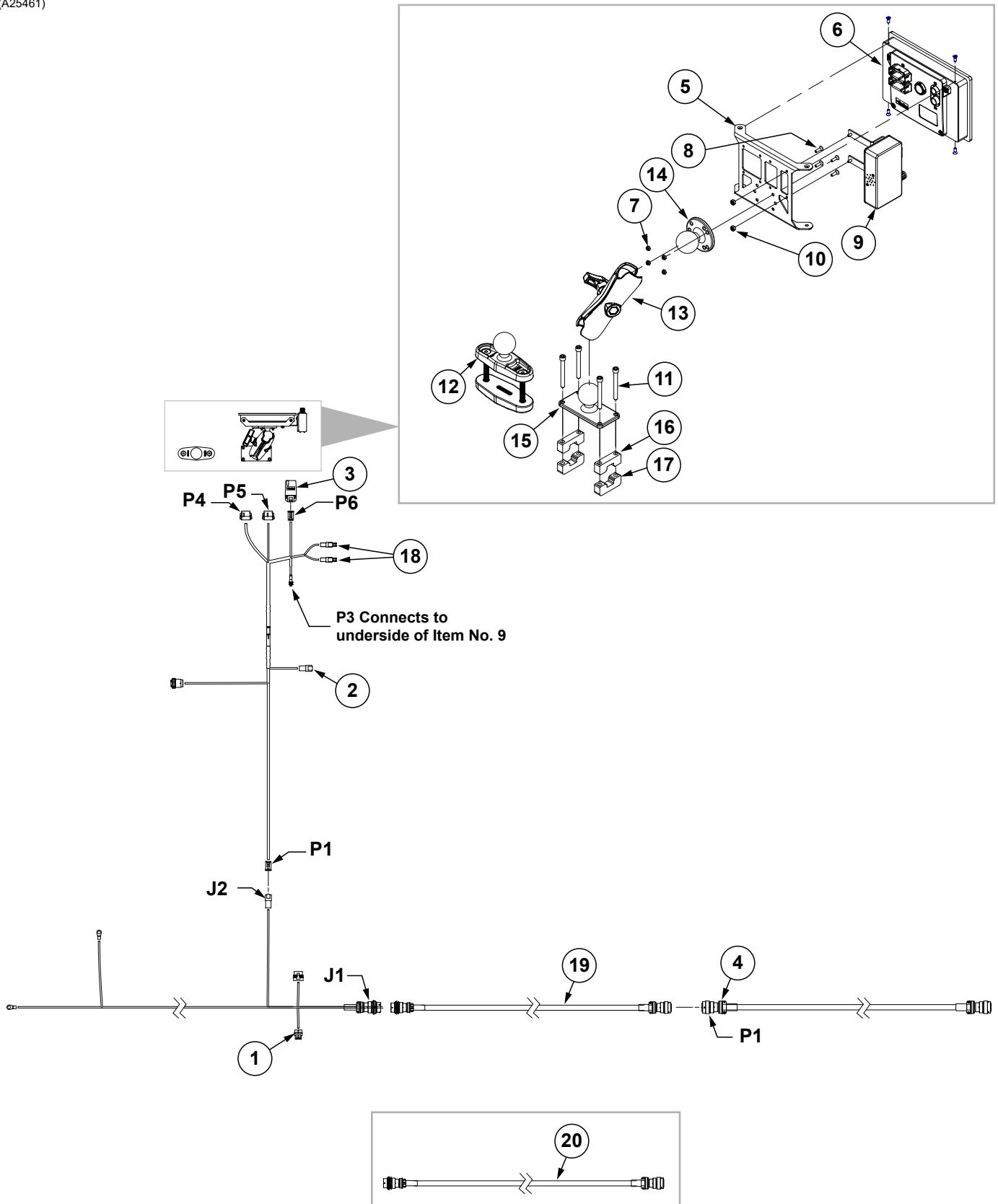
(TP1106)



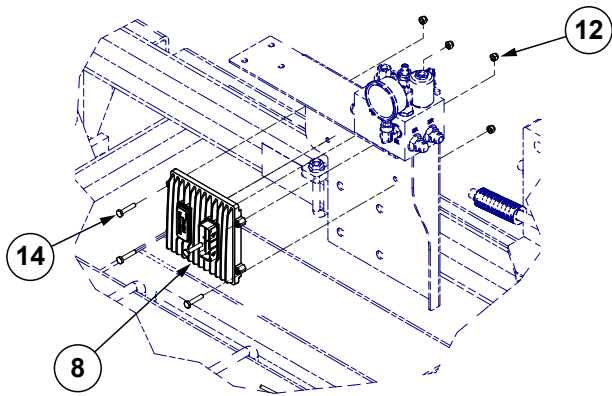
ITEM	PART NO.	QTY.	DESCRIPTION
1	GA16834	1	Battery Cable
2	---	-	<a href="#">See "ISOBUS Electric Clutch Package (2021 Production Only)" on page P215</a> <a href="#">See "Ag Leader Electric Clutch" on page P207</a>
3	GA16355	1	Terminator Cable
4	GA16832	1	ISO Integra Extension Cable
5	GA16833	1	ISO Connector

**This page left blank intentionally.**

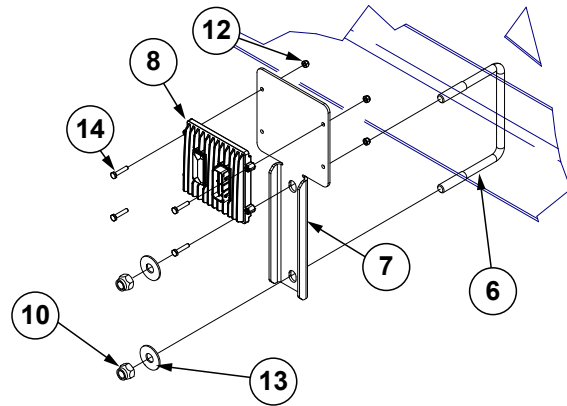
(A25461)



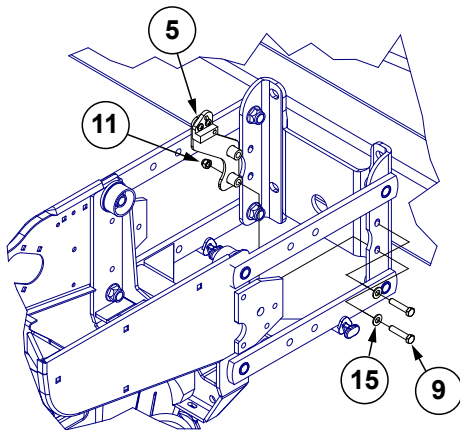
ITEM	PART NO.	QTY.	DESCRIPTION
1	GA25365	1	Tractor Power Harness
2	GA25366	1	Hydraulic Down Force Console Harness
3	G10978501	1	Bluetooth Dongle
4	GA25367	1	Hydraulic Down Force Intermediate Harness
5	GD35493	1	Bracket Mount
6	GA26013	1	Display Assembly W/Screen Protector
7	G12122	4	Hex Machine Screw Nut, M4-0.073
8	G11939	4	Phillips Flat Head Machine Screw, M4-0.7 x 14
9	GA25782	1	Speaker Box Assembly
10	G11931	2	Nylon Locknut, 6-32, Grade 2
11	G11106	4	Hex Socket Head Cap Screw, 1/4"-20 x 2 1/4"
12	GA25840	1	Alternate Clamp Base, 1 1/2" Ball
13	GA12868	1	Ram Double Socket Arm, 1 1/2" Ball
14	GD35791	1	Ram C Size, 1 1/2" Ball, Round Base
15	GD35792	1	Ram C Size, 1 1/2" Ball, Rectangle Base
16	GD33758	2	Ram Mount, Top Clamp Block
17	GD33759	2	Ram Mount, Bottom Clamp Block
18	GD22974	2	Terminating Resistor, 2-Way DTM
19	G10810301	-	Hydraulic Down Force Extension Harness, 6' (Optional Harness for Articulated Tractors)
20	GA25557	-	Hydraulic Down Force Extension Harness, 15' (Optional Harness for Articulated Tractors - Replaces Base Harness)



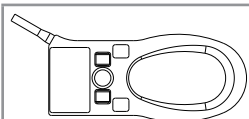
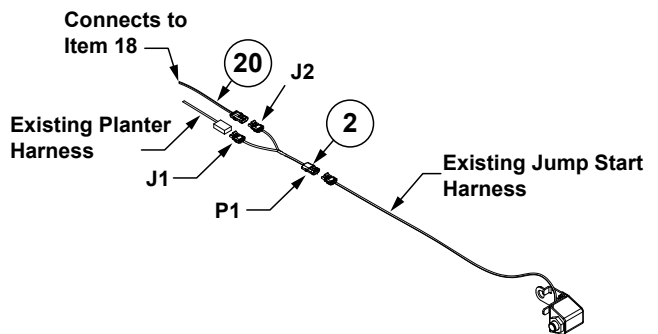
Located In Front of:  
 12 Row Pull Unit No. 6  
 16 Row Pull Unit No. 8



Located Between:  
 12 Row Pull Units No. 2 and 3; 10 and 11  
 16 Row Pull Units No. 5 and 6; 11 and 12



Located In:  
 16 Row Pull Units No. 5 and 12  
 12 Row Pull Units No. 3 and 10

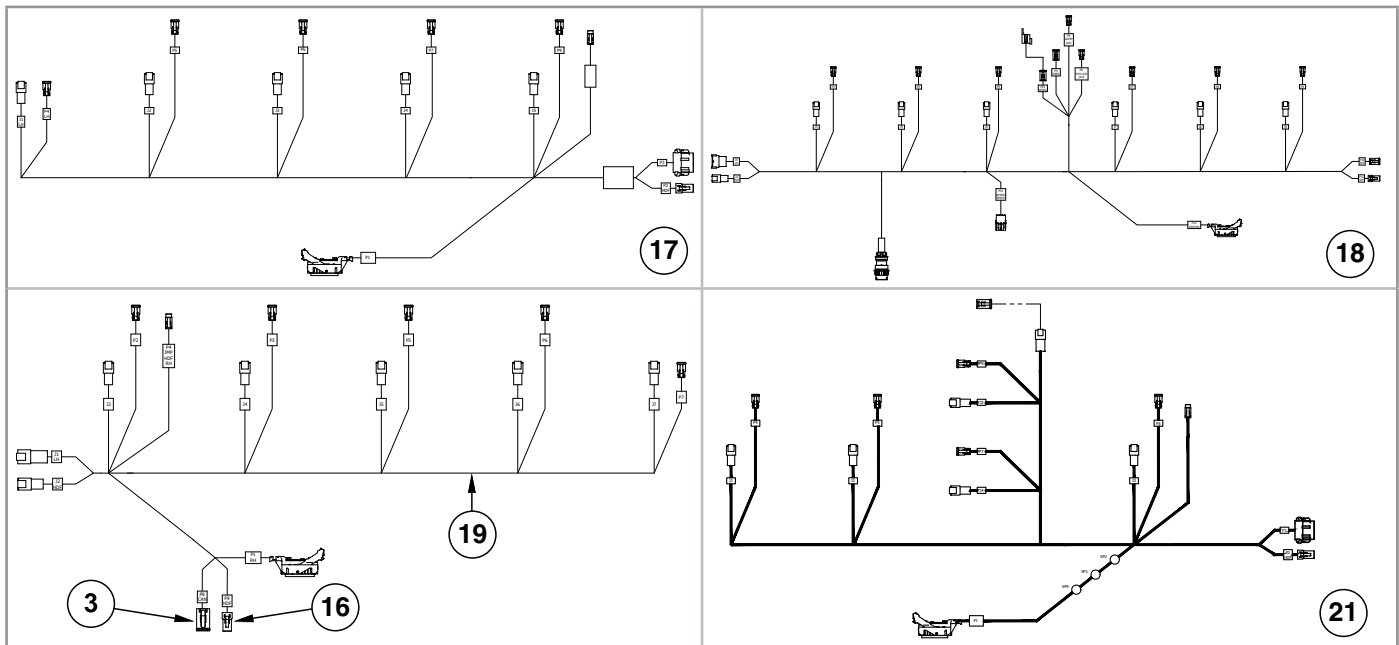


1

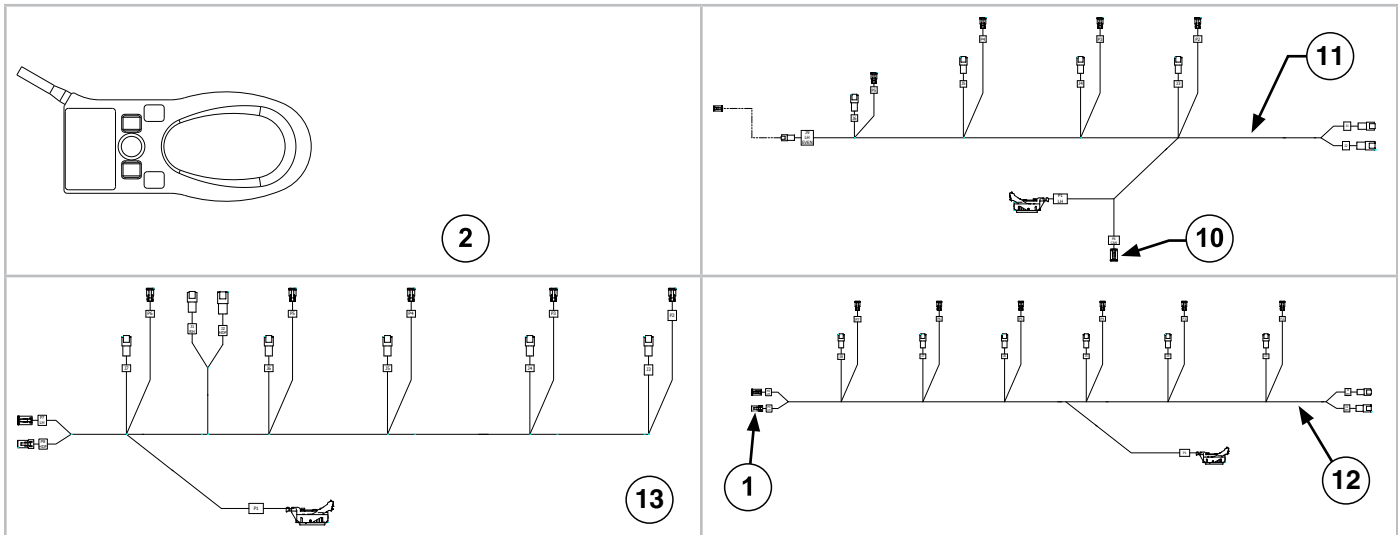
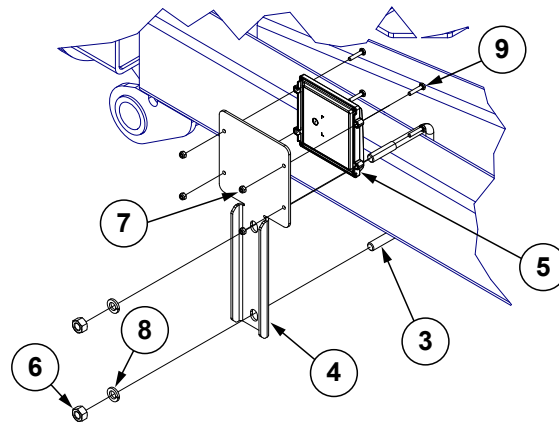


4



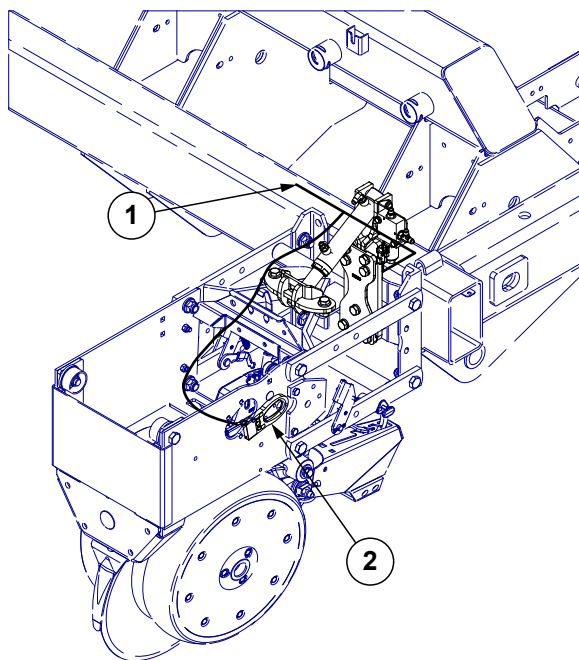


ITEM	PART NO.	QTY.	DESCRIPTION
1	GA26723	16	Sensor Link
2	GA25454	1	Wheel Speed Splitter Harness
3	GD35572	-	CAN Terminator
4	GA25369	1	Hydraulic Down Force Harnesss, 16 Row
5	GA25405	2	Position Switch
6	GD16598	2	U-Bolt, 4" x 7" x 5/8"-11
7	GD35404	2	Module Bracket
8	GA25585	3	Module Assembly
9	G10047	4	Hex Head Cap Screw, 3/8"-16 x 1 3/4"
10	G10104	4	Hex Nut, 5/8"-11, 16 Row
	G10107	4	Lock Nut, 5/8"-11, 12 Row
11	G10108	4	Lock Nut, 3/8"-16
12	G10110	12	Lock Nut, 1/4"-20, Grade B
13	G10107	2	Lock Nut, 5/8"-11
	G10217	2	Washer, 5/8" USS
14	G10857	12	Hex Head Cap Screw, 1/4"-20 x 1 1/4"
15	G11387	4	Hardened Washer, 3/8" SAE
16	GD18347	1	2-Pin Deutsch Receptacle
	GD8739	2	Sealing Plug, No. 12
17	GA25519	1	Hydraulic Down Force Harness, L.H. (Pull Row Unit), 16 Row
18	GA25520	1	Hydraulic Down Force Harness, Center (Pull Row Unit), 12 and 16 Row
19	GA26844	1	Hydraulic Down Force Harness, R.H. (Pull Row Unit), 12 Row
	GA25521	-	Hydraulic Down Force Harness, R.H. (Pull Row Unit), 16 Row
20	GA25551	1	Wheel Speed Extension Harness
21	G10142601		Hydraulic Down Force Harness - Wing, L.H. (Pull Row Unit), 12 Row

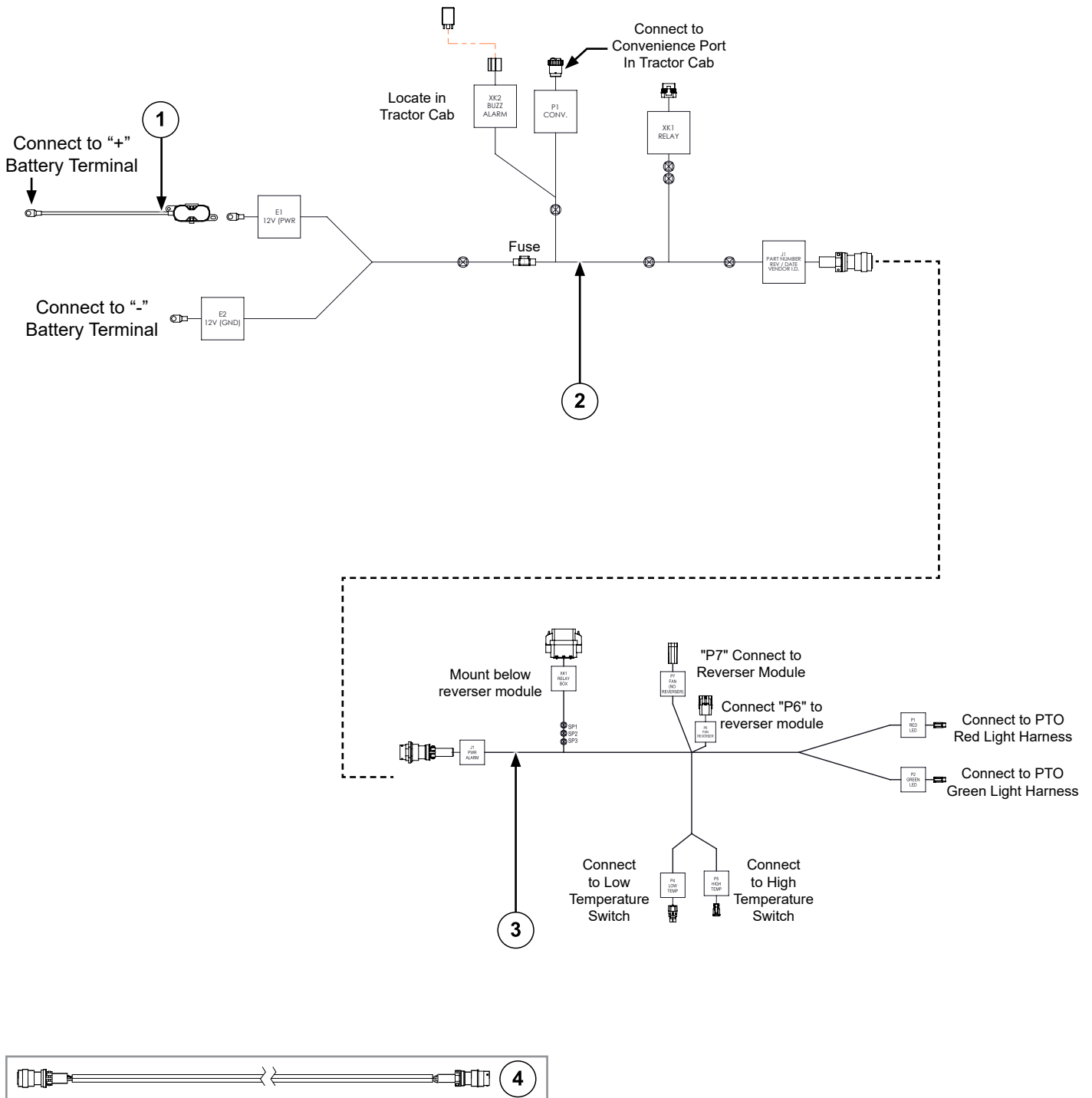


ITEM	PART NO.	QTY.	DESCRIPTION
1	GD25009	-	2-Pin Dust Cap
2	GA26723	15	Sensor Link
3	GD16598	3	U-Bolt, 4" x 7" x 5/8"-11
4	GD35404	3	Module Bracket
5	GA25585	3	Module Assembly
6	G10104	6	Hex Nut, 5/8"-11
7	G10110	12	Lock Nut, 1/4"-20, Grade B
8	G10230	6	Lock Washer, 5/8"
9	G10857	12	Hex Head Cap Screw, 1/4"-20 x 1 1/4"
10	GD35572	2	CAN Terminator
11	GA25522	1	Hydraulic Down Force Harness, L.H. (Push Row Unit), 16 Row
12	GA25523	1	Hydraulic Down Force Harness, Center (Push Row Unit), 12 and 16 Row
13	GA25524	1	Hydraulic Down Force Harness, R.H. (Push Row Unit), 16 Row

NOTE: 12 Row L.H. and R.H. Wing Harnesses for Split Row are included w/Pull Row Unit Harnesses listed on previous page.



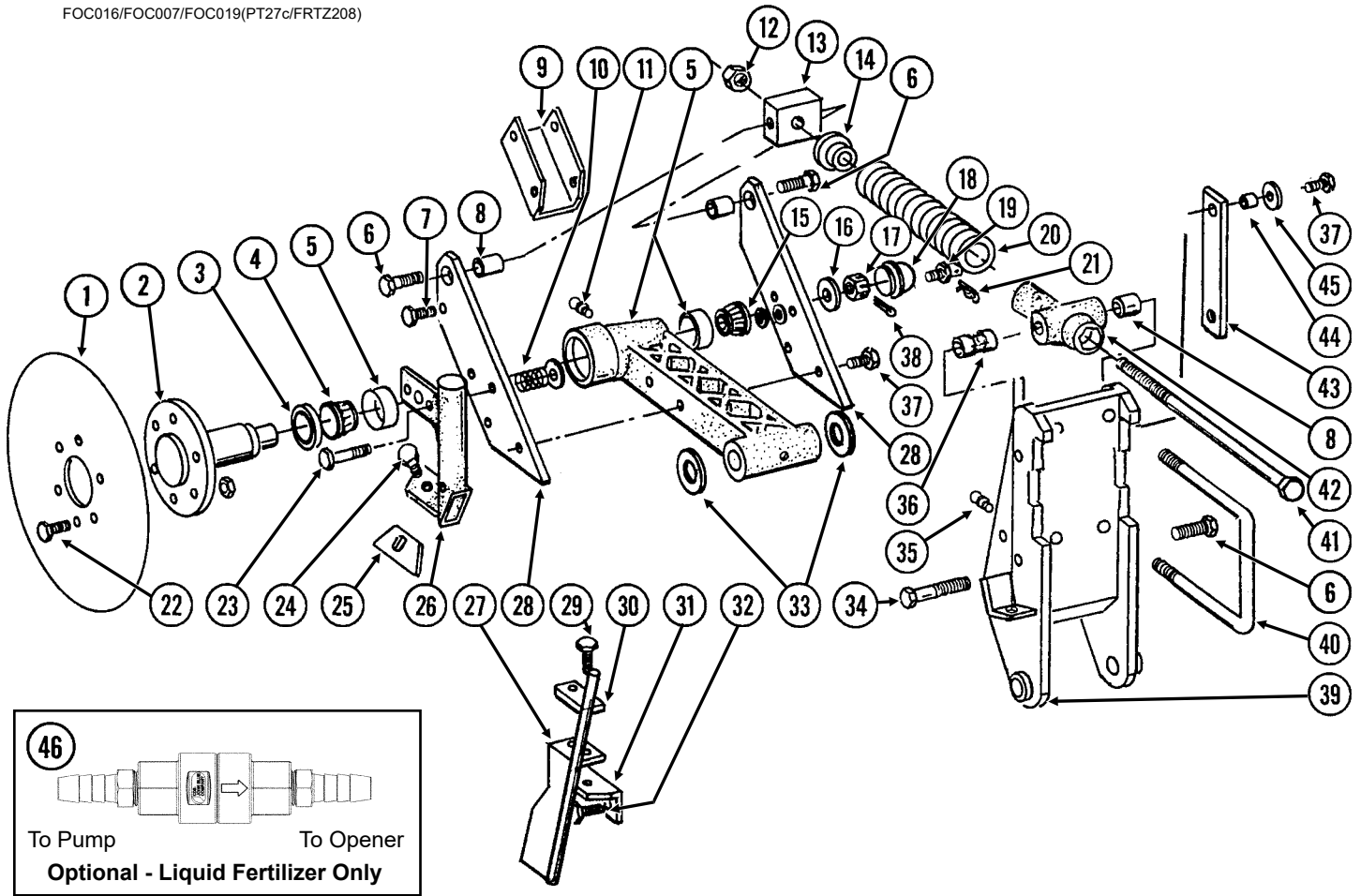
ITEM	PART NO.	QTY.	DESCRIPTION
1	GA25482	1	Hydraulic Down Force Harness (Even-Row)
2	GA26723	1	Sensor Link



ITEM	PART NO.	QTY.	DESCRIPTION
1	G10049501	1	Tractor Battery Connection Harness and Fuse Kit
2	G10724901	1	Tractor Power Harness
3	G10357401	1	PTO Harness, 3000 Series (2022 Production)
	G10649801	1	PTO Harness, 3000 Series (2023 Production and on)
4	G10737701	-	PTO Extension Harness (Articulated Tractors)

**This page left blank intentionally.**

FOC016/FOC007/FOC019(PT27c/FRTZ208)

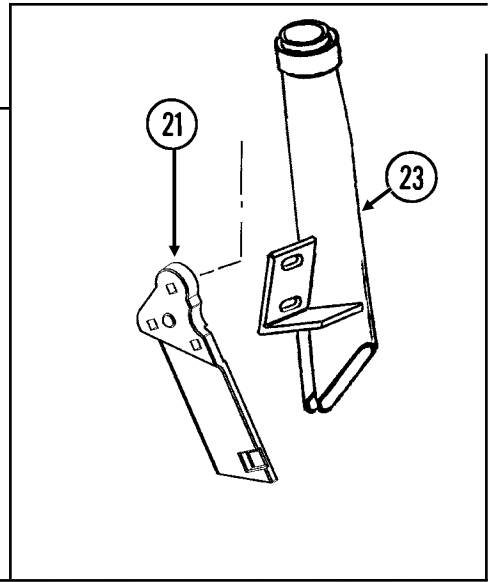
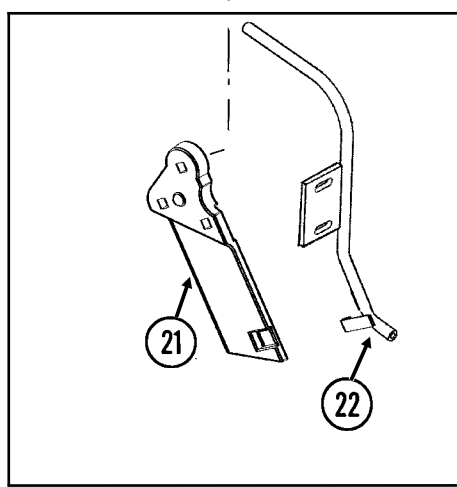
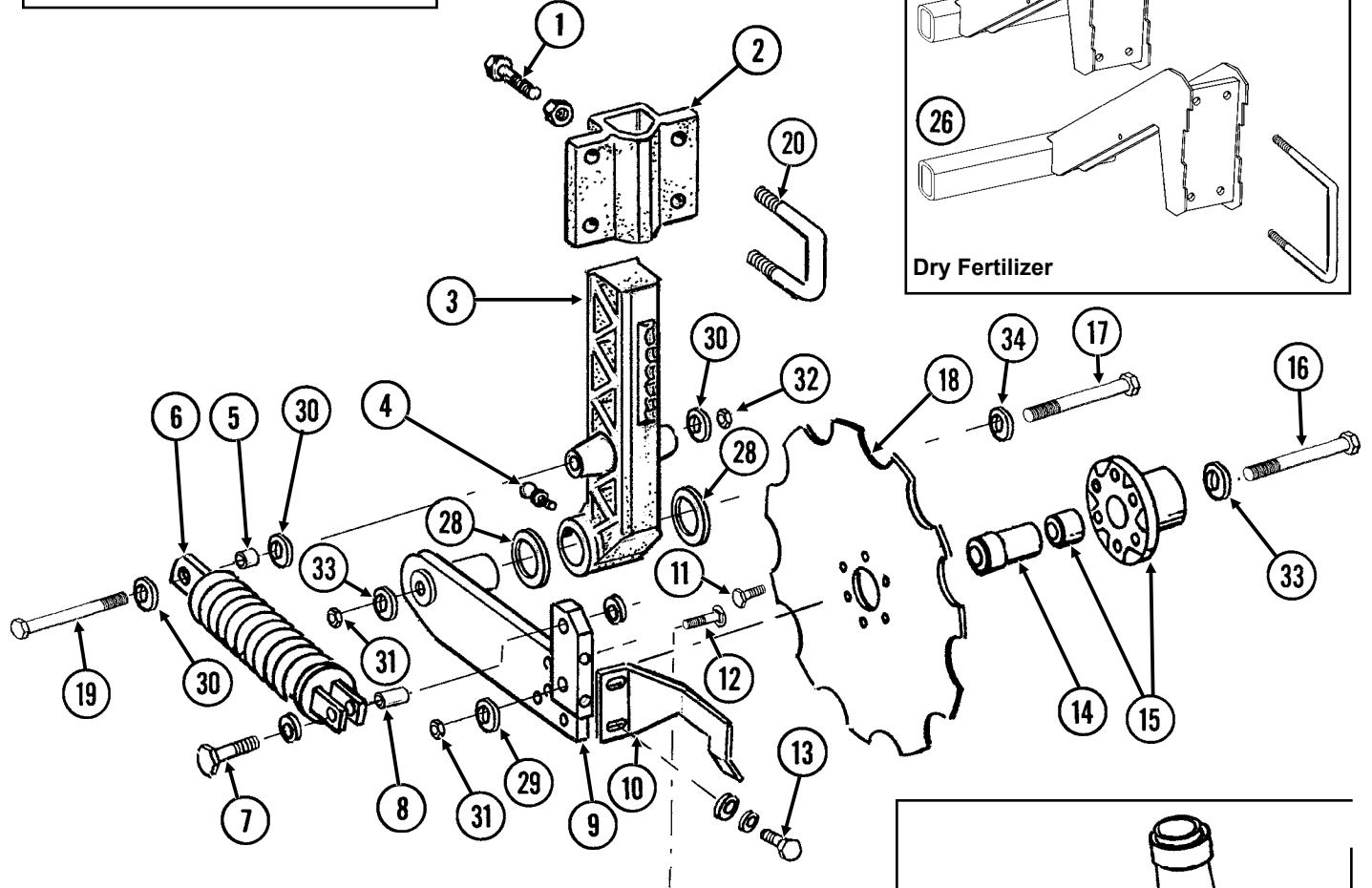
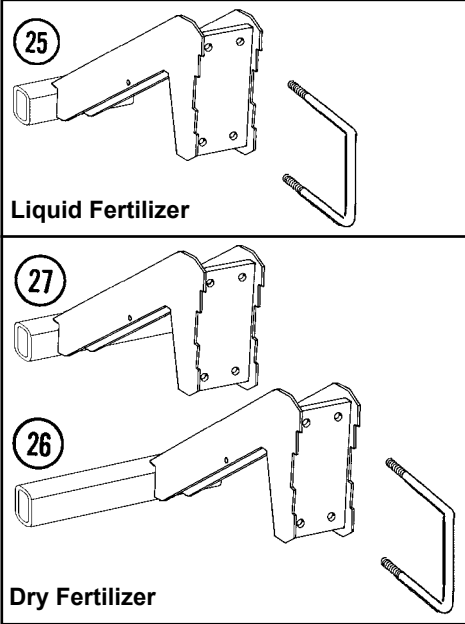
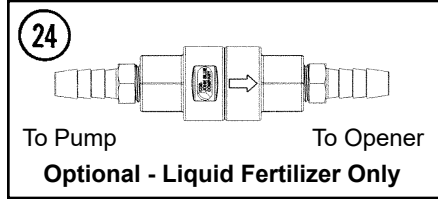


ITEM	PART NO.	QTY. (Per Assy.)	DESCRIPTION
1	GD7900 GD8247	1 -	Disc Blade, 18" Disc Blade, 20" (Optional)
2	GB0205	1	Spindle
3	GA4286	1	Seal
4	GA4287	1	Bearing
5	GA5887 GD6553 GR0188 G11391	1 - - 3	Arm W/Cups And Washers Inner Cup (Included W/GA5887) Outer Cup (Included W/GA5887) Flat Washer, 5/8" SAE
6	G10007	3	Hex Head Cap Screw, 5/8"-11 x 1 1/2"
7	G10001 G10108	2 2	Hex Head Cap Screw, 3/8"-16 x 1" Lock Nut, 3/8"-16
8	GB0218	3	Bushing, 2 1/32" I.D. x 7/8" O.D. x 1 9/32" Long
9	GD8238	1	Channel
10	GD7962	2	Spring
11	G10641	2	Grease Fitting, 1/8" NPT
12	G10105	3	Hex Nut, 3/4"-10
13	GD7908	1	Tap Block
14	GD34923	1	Spring Seat
15	GA0237	1	Bearing
16	G10220	1	Machine Bushing, 1 1/16", 10 Gauge

ITEM	PART NO.	QTY. (Per Assy.)	DESCRIPTION
17	G10507	1	Slotted Nut, 1"-14
18	GD1104	1	Dust Cap
19	GD8276	1	Pin
	G10237	1	Lock Washer, 7/16"
	G10100	1	Hex Nut, 7/16"-14
20	GD10273	1	Compression Spring
21	G10592	1	Hair Pin Clip, No. 11
22	G10594	6	Bolt, 1/2"-13 x 1 1/2"
	G10111	6	Lock Nut, 1/2"-13
23	G10049	2	Hex Head Cap Screw, 3/8"-16 x 2 1/2"
	G11387	2	Flat Washer, 3/8" SAE
	G10108	2	Lock Nut, 3/8"-16
24	G10599	1	Carriage Bolt, 3/8"-16 x 1 1/4"
	G11387	1	Flat Washer, 3/8" SAE
	G10229	1	Lock Washer, 3/8"
	G10101	1	Hex Nut, 3/8"-16
25	GD7912	1	Scraper
26	GB0210	-	Drop Tube, R.H., Dry Fertilizer
	GB0209	1	Drop Tube, L.H., Dry Fertilizer (Shown)
27	GA8689	1	Drop Tube, L.H., Liquid Fertilizer (Shown)
	GA8688	-	Drop Tube, R.H., Liquid Fertilizer
28	GD8224	2	Bar
29	G10004	2	Hex Head Cap Screw, 3/8"-16 x 1 1/4"
	G10229	2	Lock Washer, 3/8"
30	GD10487	1	Clamp
31	GD10304	-	Angle, R.H.
	GD10303	1	Angle, L.H. (Shown)
32	G10016	2	Hex Head Cap Screw, 1/2"-13 x 2"
	G10111	2	Lock Nut, 1/2"-13
33	G10322	-	Machine Bushing, 1 1/4", 18 Gauge (As Required)
34	G10862	1	Hex Head Cap Screw, 5/8"-11 x 3 1/4"
	G11391	2	Flat Washer, 5/8" SAE
	G10230	1	Lock Washer, 5/8"
35	G10640	1	Grease Fitting, 1/4"-28
36	GD10242	1	Bushing, 2 1/4"
37	G10039	5	Hex Head Cap Screw, 1/2"-13 x 1 3/4"
	G10111	5	Lock Nut, 1/2"-13
38	G10459	1	Cotter Pin, 3/16" x 1 1/2"
39	GA7240	-	Opener Mount, R.H.
	GA7239	1	Opener Mount, L.H. (Shown)
40	GD1113	2	U-Bolt, 5" x 7" x 5/8"-11
	G10230	4	Lock Washer, 5/8"
	G10104	4	Hex Nut, 5/8"-11
41	GD7907	1	Special Bolt
42	GB0206	1	Rod Guide
43	GD8239	1	Storage Strap
44	GD7904-02	1	Sleeve, 1/2" x 1/2" Long
45	G11389	3	Flat Washer, 1/2" SAE
46	GA15416	1	Check Valve Assembly

FOC018(TWL34e/TWL34f/TWL34g/FRTZ268/FRTZ208)

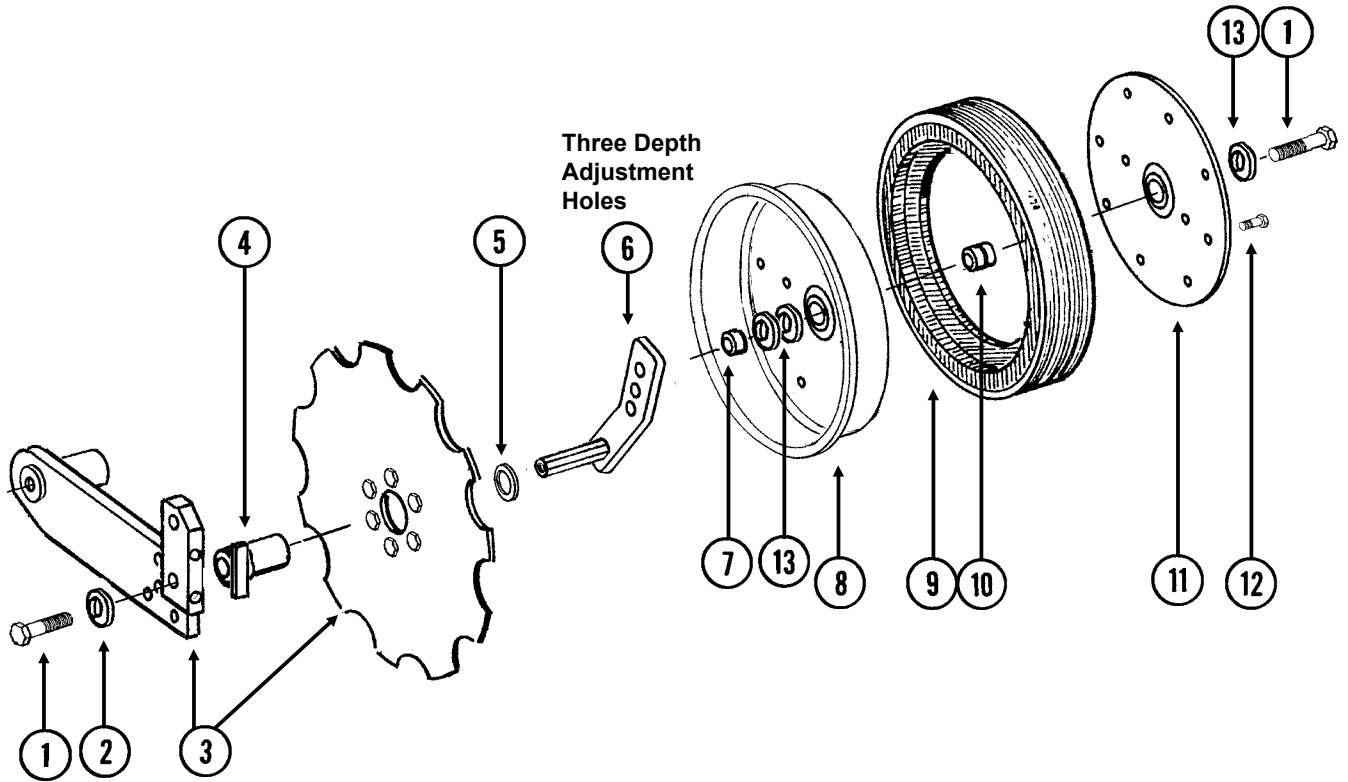
**NOTE: R.H. and L.H. is determined by which side of blade it is on in the direction of travel.**





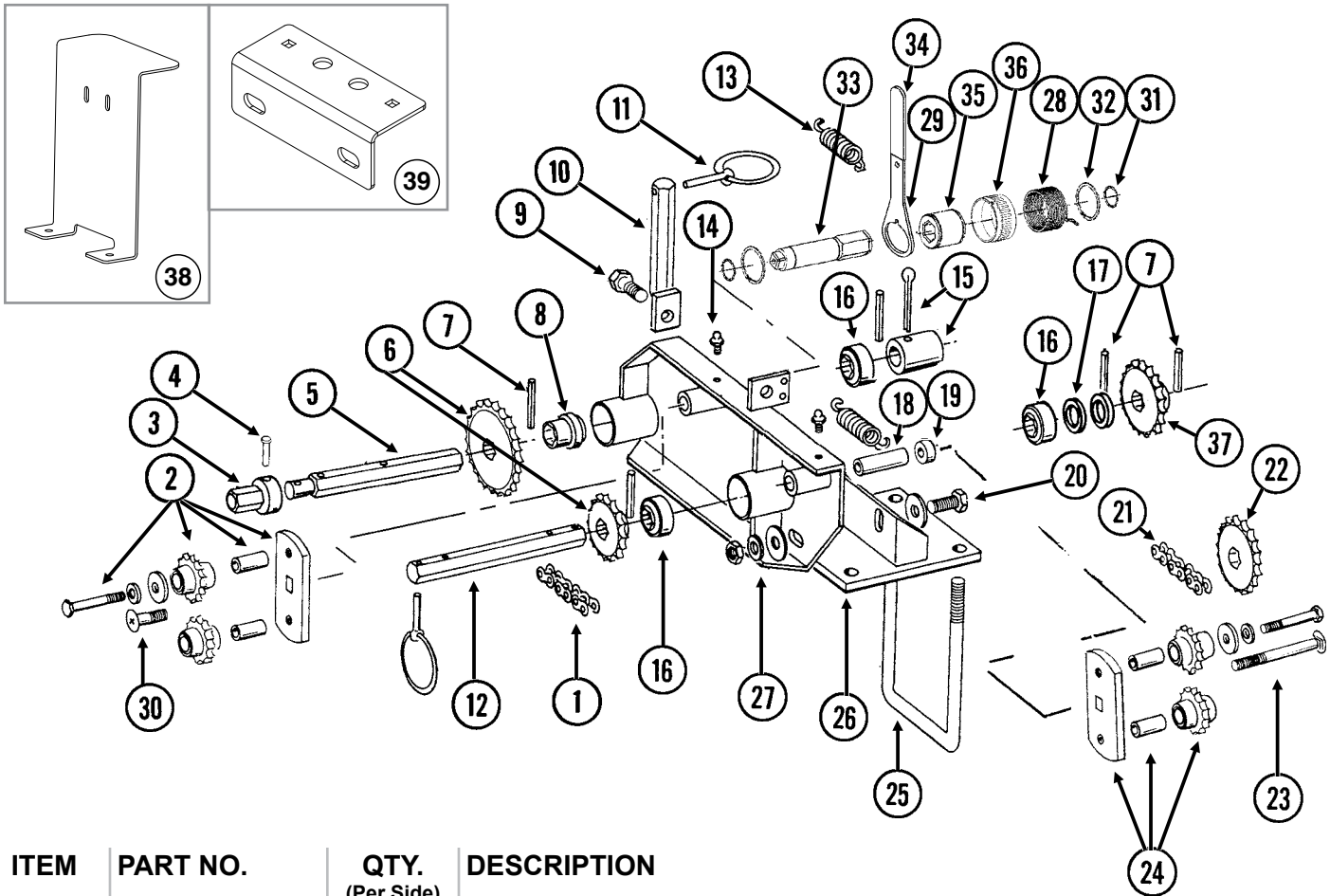
ITEM	PART NO.	QTY. (Per Assy.)	DESCRIPTION
1	G10017	3	Hex Head Cap Screw, 1/2"-13 x 1 1/2"
	G10102	3	Hex Nut, 1/2"-13
2	GB0400	1	Mount, R.H.
	GB0405		Mount, L.H. (Shown)
3	GB0296	1	Arm, 13 1/2"
4	G10640	1	Grease Fitting, 1/4"-28
5	GD12685	1	Bushing, 3/4" O.D. x 1/2" Long
6	GA6966	1	Compression Spring Assembly
7	G10047	1	Hex Head Cap Screw, 3/8"-16 x 1 3/4"
	G11387	2	Flat Washer, 3/8" SAE
	G10108	1	Lock Nut, 3/8"-16
8	GD1026	1	Sleeve, 1 3/16" Long
9	GA9433	1	Pivot Arm, L.H. (Shown)
	GA9434	-	Pivot Arm, R.H.
10	GD11557	1	Scraper, L.H. (Shown)
	GD11558	-	Scraper, R.H.
11	G10002	6	Hex Head Cap Screw, 3/8"-16 x 3/4"
12	G10306	3	Carriage Bolt, 3/8"-16 x 2"
	G10108	3	Lock Nut, 3/8"-16
13	G10991	2	Hex Head Cap Screw, 5/16"-18 x 7/8"
	G10232	2	Lock Washer, 5/16"
	G11386	6	Flat Washer, 5/16" SAE
14	GD12679	1	Stepped Spacer, 3" Long
15	GA9437	1	Hub W/Bearing
	GA8603	-	Bearing, Double Row (Included W/GA9437)
16	G10011	1	Hex Head Cap Screw, 5/8"-11 x 5 1/2"
17	G10046	1	Hex Head Cap Screw, 5/8"-11 x 5"
18	GD12676	1	Disc Blade, Notched, 16 3/4"
19	G10871	1	Hex Head Cap Screw, 1/2"-13 x 6"
20	GD13287	2	U-Bolt, 1 1/2" x 2 1/2" x 1/2"-13
	G11389	4	Flat Washer, 1/2" Plated SAE
	G10111	4	Lock Nut, 1/2"-13
21	GB0323	1	Knife, L.H. (Shown)
	GB0322	-	Knife, R.H.
22	GA12108	1	Drop Tube, L.H., Liquid Fertilizer
	GA12109	-	Drop Tube, R.H., Liquid Fertilizer (Shown)
23	GA10047	1	Drop Tube, L.H., Dry Fertilizer
	GA10048	-	Drop Tube, R.H., Dry Fertilizer (Shown)
24	GA15416	1	Check Valve Assembly
25	GA9564	1	Opener Mount
	GD1113	2	U-Bolt, 5" x 7" x 5/8"-11
	G10230	4	Lock Washer, 5/8"
	G10104	4	Hex Nut, 5/8"-11
26	GA9819	1	Opener Mount
	GD1113	2	U-Bolt, 5" x 7" x 5/8"-11
	G10230	4	Lock Washer, 5/8"
	G10104	4	Hex Nut, 5/8"-11
27	GA9820	1	Opener Mount
	GD1113	2	U-Bolt, 5" x 7" x 5/8"-11
	G10230	4	Lock Washer, 5/8"
	G10104	4	Hex Nut, 5/8"-11
28	G10450	-	Machine Bushing, 1 1/2", 18 Gauge (As Required)
29	GD12677	1	Washer, 1 1/2" O.D., 7 Gauge, Hardened
30	G11389	-	Flat Washer, 1/2" Plated SAE
31	G10107	-	Lock Nut, 5/8"-11
32	G10111	-	Lock Nut, 1/2"-13
33	G11391	-	Flat Washer, 5/8" SAE
34	G10217	-	Washer, 5/8" USS

(FRTZ256)



ITEM	PART NO.	QTY. (Per Assy.)	DESCRIPTION
1	G10010	2	Hex Head Cap Screw, 5/8"-11 x 3"
2	G11391	1	Flat Washer, 5/8" SAE
3	---	-	<a href="#">See "Notched Single Disc Fertilizer Opener" on page P229</a>
4	GA9472	1	Blade Mount
5	G10233	1	Machine Bushing, 1", 10 Gauge
6	GA10037	1	Wheel Mount, L.H. (Shown)
	GA10036	1	Wheel Mount, R.H.
7	GD13309	1	Spacer
8	GD31466	1	Half Wheel, Black
9	GD11953	1	Offset Tire
10	GA6171	1	Bearing
11	GD26598	1	Half Wheel Cover, Black
12	G10961	11	Flanged Whiz Lock Screw, 5/16"-18 x 3/4", No Serration
	G10620	11	Serrated Flange Nut, 5/16"-18
13	G10397801	-	Special Machine Bushing, 5/8" x 1" O.D. (As Required)
A	GA18311	-	Gauge Wheel Complete (Items 8-12)
B	G9881X	-	Depth/Gauge Wheel Package (Items 1-13)

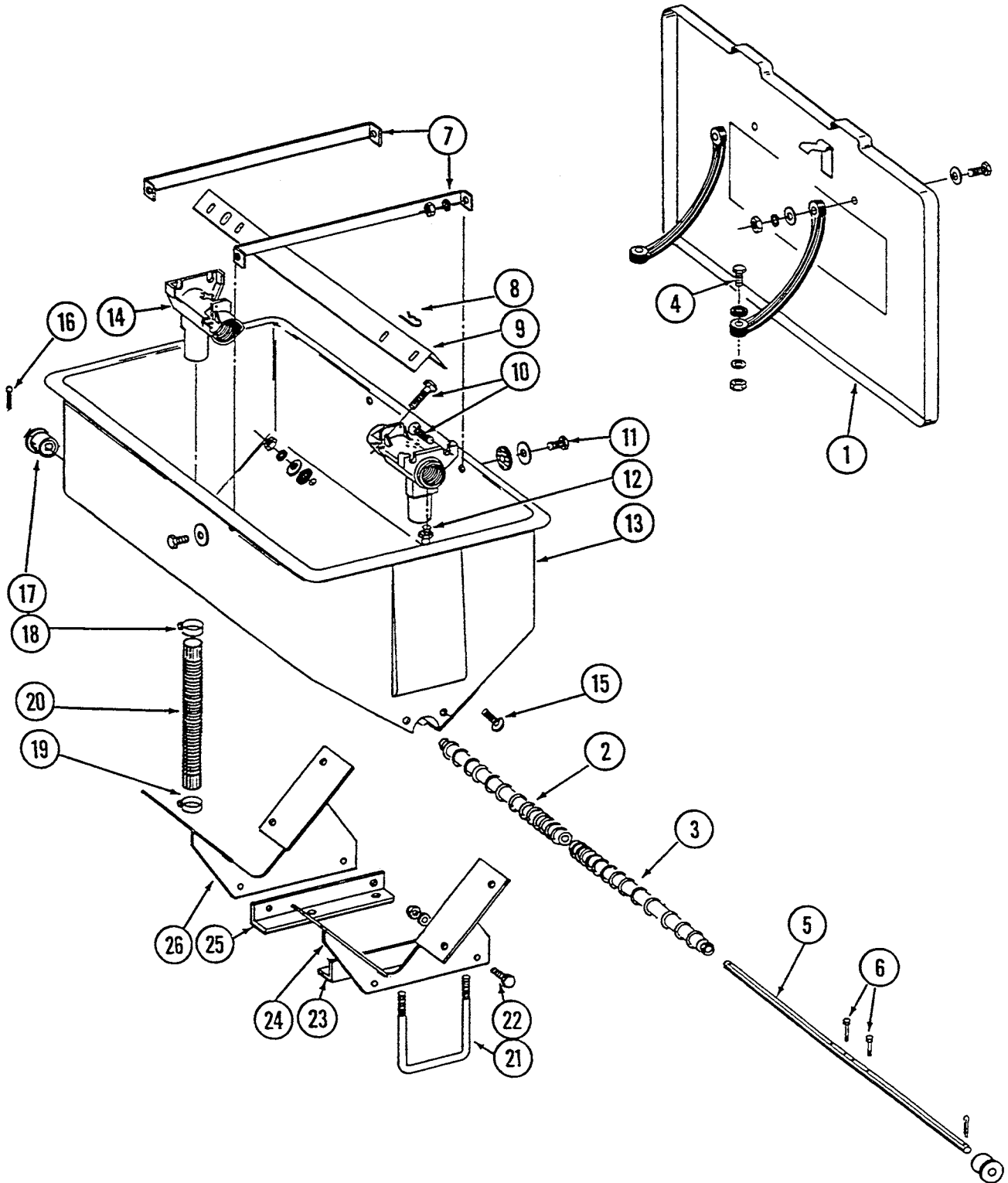
(TWL37hh)



ITEM	PART NO.	QTY. (Per Side)	DESCRIPTION
1	G3310-88 GR0912	1 -	Chain, No. 40, 88 Pitch Including Connector Link Connector Link, No. 40
2	GA7336 GD7426 GD1026 G11387 G10229 G10047	1 - - - - -	Idler W/Bolt-On Sprockets Sprocket, 12 Tooth (Included W/GA7336) Sleeve, 1 $\frac{3}{16}$ " Long (Included W/GA7336) Flat Washer, $\frac{3}{8}$ " SAE (Included W/GA7336) Lock Washer, $\frac{3}{8}$ " (Included W/GA7336) Hex Head Cap Screw, $\frac{3}{8}$ "-16 x 1 $\frac{3}{4}$ " (Included W/GA7336)
3	GD7127	1	Shear Coupler
4	G10821 G10455	1 -	Clevis Pin, $\frac{3}{16}$ " x 2" Cotter Pin, $\frac{1}{16}$ " x $\frac{1}{2}$ "
5	GD7866	1	Shaft, $\frac{7}{8}$ " x 7 $\frac{1}{2}$ "
6	GA5105 GA5107 GA5114 GA5115 GA6337	1 1 1 1 1	Sprocket, 15 Tooth Sprocket, 19 Tooth Sprocket, 30 Tooth Sprocket, 33 Tooth Sprocket, 35 Tooth
7	G10602	6	Spring Pin, $\frac{1}{4}$ " x 1 $\frac{1}{2}$ "
8	GA5624	1	Special Bearing, $\frac{7}{8}$ " Hex Bore x 1.6"
9	G10037 G10111	1 1	Hex Head Cap Screw, $\frac{1}{2}$ "-13 x 1 $\frac{1}{4}$ " Lock Nut, $\frac{1}{2}$ "-13
10	GA5229	1	Sprocket Storage Rod
11	GD2558	3	Lynch Pin, $\frac{1}{4}$ "

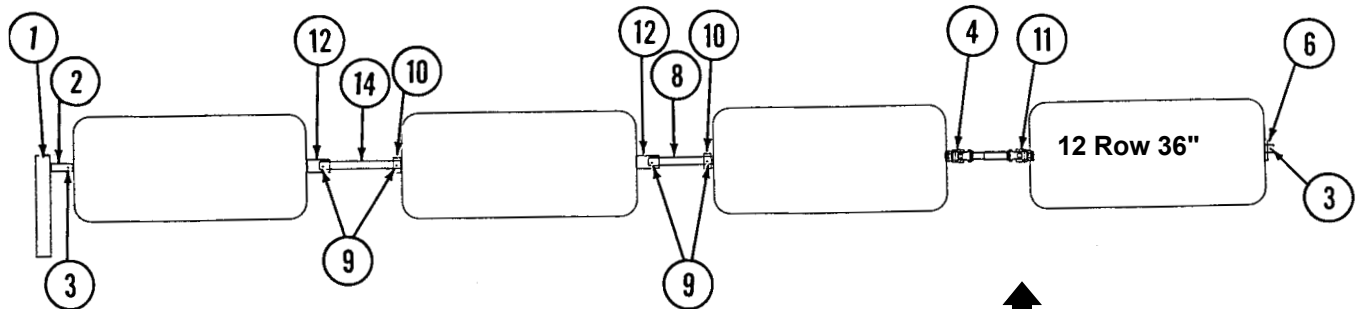
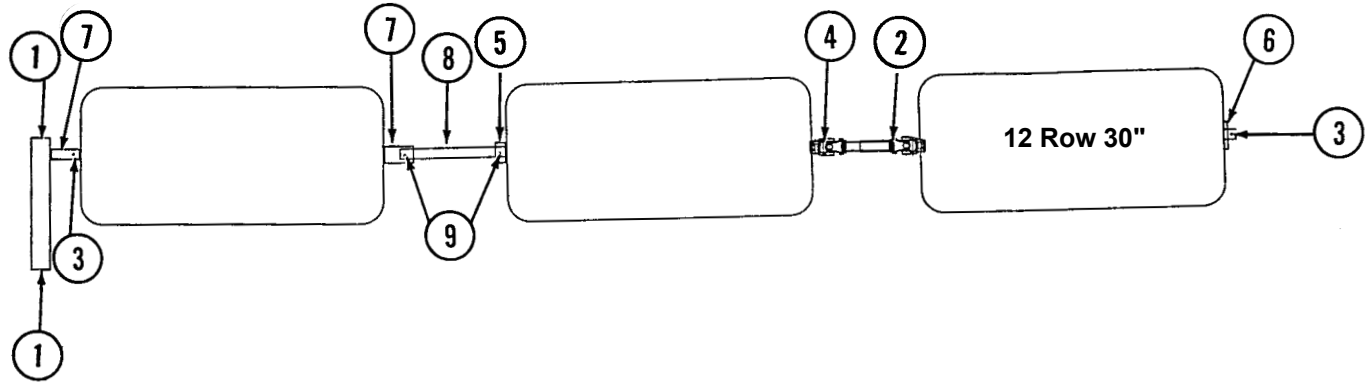
ITEM	PART NO.	QTY. (Per Side)	DESCRIPTION
12	GD10119	1	Shaft, 7/8" x 77/16"
13	GD5857	2	Spring
14	G10640	2	Grease Fitting, 1/4"-28
15	---	-	<a href="#">See "Dry Fertilizer Coupler/Shafts" on page P237</a>
16	GA5116	3	Bearing, 7/8" Hex Bore, Cylindrical
17	G10233	2	Machine Bushing, 1", 10 Gauge
18	GD3180-10	1	Sleeve, 5/8" I.D. x 7/8" O.D. x 3 1/4" Long
19	GD2734-08	1	Sleeve, 1 1/4" O.D. x 5/8" Long
20	G10017	2	Hex Head Cap Screw, 1/2"-13 x 1 1/2"
	G11389	4	Flat Washer, 1/2" SAE
	G10228	2	Lock Washer, 1/2"
	G10102	2	Hex Nut, 1/2"-13
21	G3310-130	1	Chain, No. 40, 130 Pitch Including Connector Link
	GR0912	-	Connector Link, No. 40
22	GA5114	1	Sprocket, 30 Tooth
23	G10419	1	Carriage Bolt, 1/2"-13 x 4 1/2"
	G11389	1	Flat Washer, 1/2" SAE
	G10111	1	Lock Nut, 1/2"-13
24	GA7396	1	Idler W/Bolt-On Sprockets
	GD7426	-	Sprocket, 12 Tooth (Included W/GA7396)
	GD1026	-	Sleeve, 1 3/16" Long (Included W/GA7396)
	G11387	-	Flat Washer, 3/8" SAE (Included W/GA7396)
	G10229	-	Lock Washer, 3/8" (Included W/GA7396)
	G10047	-	Hex Head Cap Screw, 3/8"-16 x 1 3/4" (Included W/GA7396)
	G10049	-	Hex Head Cap Screw, 3/8"-16 x 2 1/2" (Included W/GA7396)
	G10108	-	Lock Nut, 3/8"-16 (Included W/GA7396)
25	GD1134	2	U-Bolt, 7" x 5" x 5/8"-11
	G10230	4	Lock Washer, 5/8"
	G10104	4	Hex Nut, 5/8"-11
26	GA7129	1	Mount, L.H. (Shown)
	GA7130	-	Mount, R.H.
27	GA5671	1	Transmission Plate, L.H. (Shown)
	GA5672	-	Transmission Plate, R.H.
28	GD14413	-	Torsion Spring, L.H. (Used In R.H. Wrap Spring Wrench) (Shown)
	GD14414	1	Torsion Spring, R.H. (Used In L.H. Wrap Spring Wrench)
29	GD14431	1	Handle
30	G11100	1	Hex Socket Button Head Cap Screw, 1/4"-20 x 1/2", Grade 8
	G10227	1	Lock Washer, 1/4"
	G11453	1	Fender Washer, 1/4"
31	G11075	2	External Inverted Snap Ring, 7/8"
32	G10496	2	External Inverted Snap Ring, 1 1/2"
33	GD14427	1	Tightener Shaft, 4 7/8"
34	G11078	1	Vinyl Cap
35	GD14432	1	Sleeve, 1 1/4"
36	GD19343	1	Release Collar, Gold, R.H. (Shown)
	GD19344	-	Release Collar, Silver, L.H.
37	GA12192	1	Sprocket, 22 Tooth
38	GD26025	-	Bulkhead Mount
39	GD26024	-	Bulkhead Mount
A	G1K378	1	Wrap Spring Wrench Replacement Kit, Blue Collar, R.H. (Items 28-36) (Shown)
	G1K379	-	Wrap Spring Wrench Replacement Kit, Gray Collar, L.H. (Items 28-36)

DFC009/DFC018(TWL36)



ITEM	PART NO.	QTY. (Per Hopper)	DESCRIPTION
1	GA0898	1	Lid W/Retainers, Clips, Rivets, Rubber Straps, and Hardware
	GD1380	-	Front Clip
	GD2412	-	Rear Retainer
	G10655	-	Rivet, 3/16" x 1 3/32"
	GD1210	-	Rubber Strap
	G10171	-	Hex Head Cap Screw, 5/16"-18 x 1 1/4"
	G11386	-	Flat Washer, 5/16" SAE
	G10232	-	Lock Washer, 5/16"
	G10106	-	Hex Nut, 5/16"-18
2	GB0198	1	Auger, R.H.
3	GB0199	1	Auger, L.H.
4	G10133	2	Hex Head Cap Screw, 5/16"-18 x 1 1/2"
	G11386	2	Flat Washer, 5/16" SAE
	G10232	2	Lock Washer, 5/16"
	G10106	2	Hex Nut, 5/16"-18
5	GD7848	1	Shaft
6	G10587	2	Hex Head Cap Screw, 1/4"-20 x 2", Stainless Steel
	G10588	2	Hex Nut, 1/4"-20, Stainless Steel
7	GD1209	2	Strap
8	G10670	2	Hair Pin Clip, No. 3
9	GD1207	1	Baffle
10	G10303	8	Carriage Bolt, 5/16"-18 x 1"
	G11386	8	Flat Washer, 5/16" SAE
	G10232	8	Lock Washer, 5/16"
	G10106	8	Hex Nut, 5/16"-18
11	G10171	4	Hex Head Cap Screw, 5/16"-18 x 1 1/4"
	G10201	4	Special Washer, 3/8" x 1 1/2" O.D.
	GD1213	4	Rubber Washer
	G10232	4	Lock Washer, 5/16"
	G10106	4	Hex Nut, 5/16"-18
12	G10640	2	Grease Fitting, 1/4"-28
13	GD1379	1	Hopper
14	GD1200	2	Outlet Housing
15	G10303	8	Carriage Bolt, 5/16"-18 x 1"
	G10171	-	Hex Head Cap Screw, 5/16"-18 x 1 1/4" (If Applicable)
	G11386	-	Flat Washer, 5/16" SAE (If Applicable)
	G10201	8	Special Washer, 3/8" x 1 1/2" O.D.
	GD1213	8	Rubber Washer
	G10232	8	Lock Washer, 5/16"
	G10106	8	Hex Nut, 5/16"-18
16	G10460	2	Cotter Pin, 1/4" x 2"
17	GB0200	2	Bearing
18	G10676	2	Hose Clamp, No. 36, Stainless Steel
19	G10672	2	Hose Clamp, No. 28
20	GD21398	2	Rubber Tube
21	GD1134	2	U-Bolt, 7" x 5" x 5/8"-11
	G10230	4	Lock Washer, 5/8"
	G10104	4	Hex Nut, 5/8"-11
22	G10017	4	Hex Head Cap Screw, 1/2"-13 x 1 1/2"
	G10228	4	Lock Washer, 1/2"
	G10102	4	Hex Nut, 1/2"-13
23	GD9131	1	Angle, L.H.
24	GA6437	1	Mount, L.H.
25	GD9132	1	Angle, R.H.
26	GA6436	1	Mount, R.H.
A	GA5667	-	Hopper Hardware Box (Items 2-7, 9, 11, 16, And 17)

(TWL38b)



L.H. Side Of Machine Shown

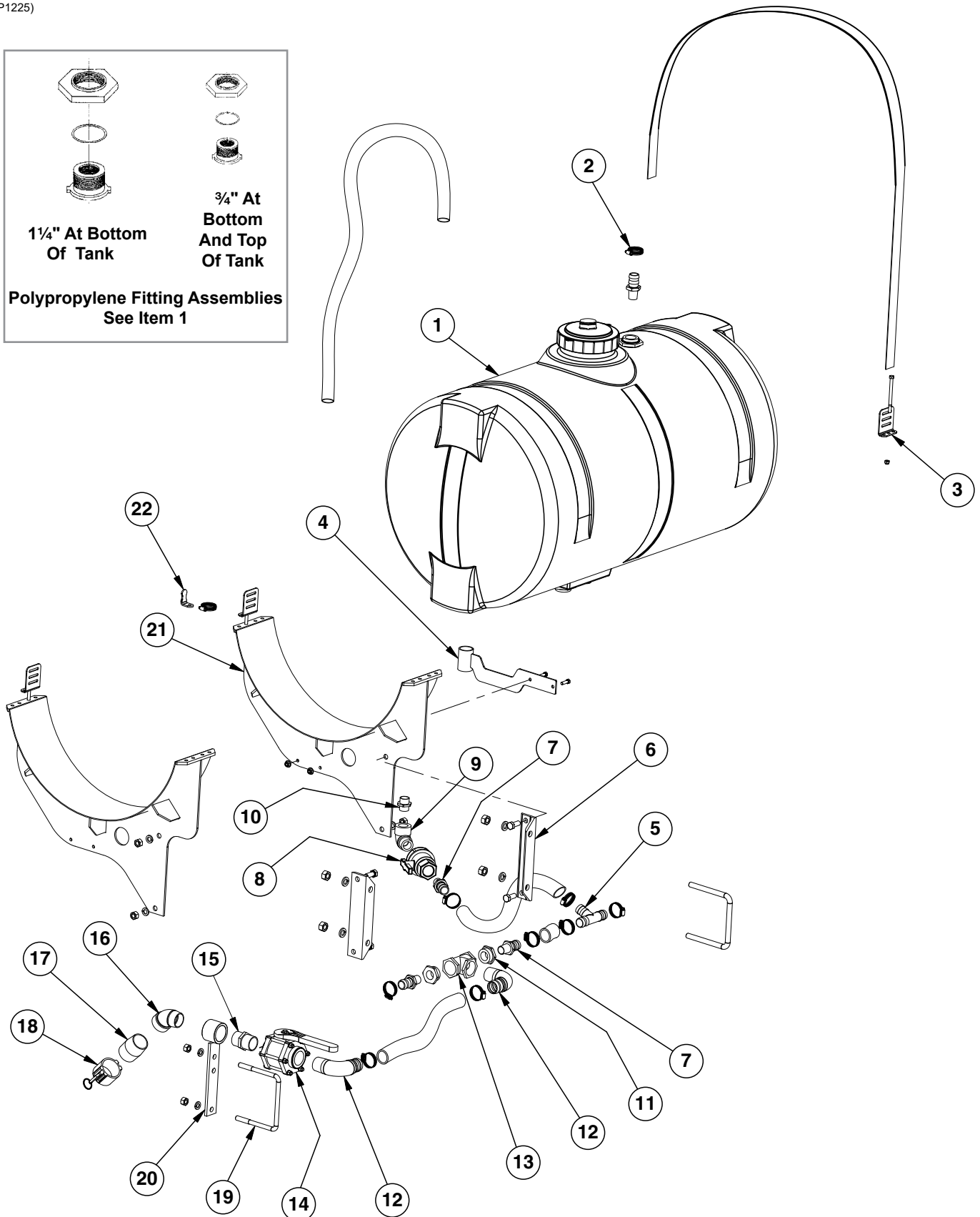
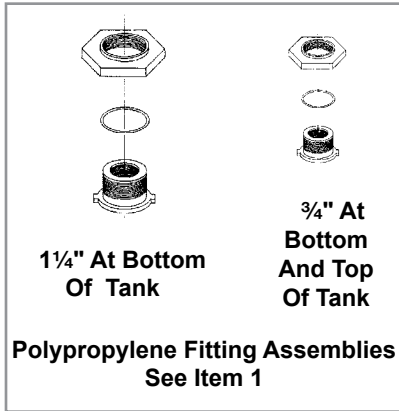
↑  
Direction Of Travel

ITEM	PART NO.	QTY.	DESCRIPTION
1	---	-	<a href="#">See "Dry Fertilizer Drive" on page P233</a>
2	GA7052 GR1293 GR1294 GR1297 GR1557	- - - - -	U-Joint W/Grease Fitting, Female, 10¼" Long Yoke, 7/8" Hex (Included W/GA7052) Cross And Bearing Kit (Included W/GA7052) Inboard Yoke And Outer Profile (Included W/GA7052) Grease Fitting, 45°, Metric (Included W/GA7052)
3	G10460	-	Cotter Pin, ¼" x 2"
4	GA7051 GR1293 GR1294 GR1295 GR1296 GR1557 GR1301	- - - - - - -	U-Joint W/Grease Fitting, Male, 12¼" Long Yoke, 7/8" Hex (Included W/GA7051) Cross And Bearing Kit (Included W/GA7051) Inboard Yoke (Included W/GA7051) Inner Profile (Included W/GA7051) Grease Fitting, 45°, Metric (Included W/GA7051) Spring Pin, 8 mm x 50 mm (Included W/GA7051)
5	GD5886 GR1557	- -	Coupler, 1¾" Grease Fitting, 45°, Metric
6	G10233	-	Machine Bushing, 1", 10 Gauge
7	GD7867	-	Coupler, 3"
8	GD2548-15.5	-	Hex Shaft, 7/8" x 15½" (1 Hole)
9	G10602	-	Spring Pin, ¼" x 1½"



**This page left blank intentionally.**

(IP1225)



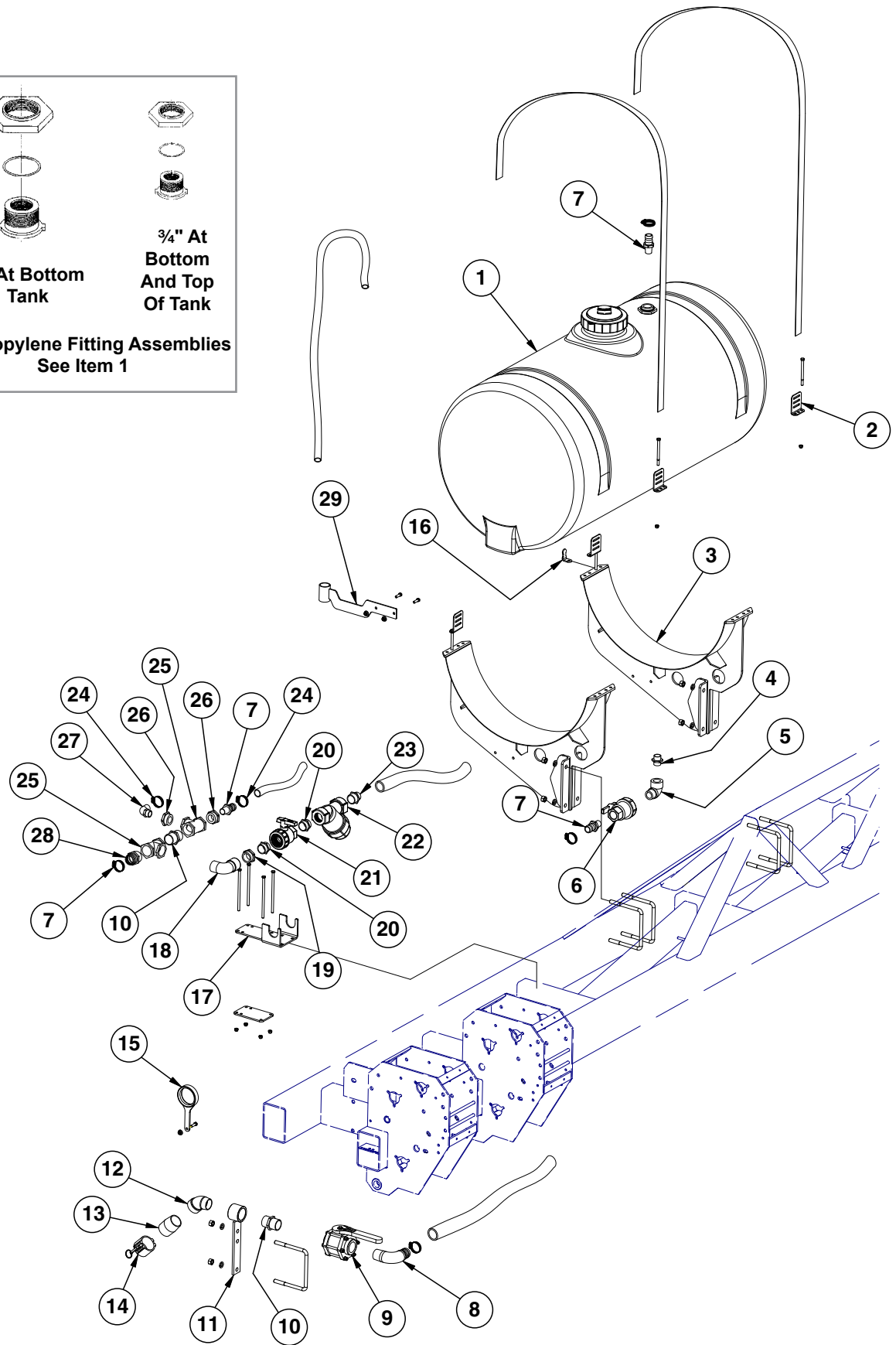
ITEM	PART NO.	QTY.	DESCRIPTION
1	GA14049	1	Tank W/Lid and Fittings, 150 Gallon
	GA16428	1	Lid, 7" W/Vacuum Breaker (Included W/GA14049)
	GA16157	1	Vacuum Breaker
	GR1708	1	¾" Bulkhead Overflow Fitting Assembly (Overflow Fitting, Nut, Bushing, And O-Ring) (Top And Bottom Of Tank) (Included W/GA14049)
	GR1709	2	1¼" Polypropylene Fitting Assembly (Nut, Bushing And O-Ring) (Bottom Of Tank) (Included W/GA14049)
	GR1941	1	Seal (Included W/GA14049)
2	G10096	1	Pipe Plug, ¾" NPT
	G10626	1	Adapter, 1¼" NPT To Barb
	G10674	1	Hose Clamp, No. 24
	G4602-04	1	1¼" x 32' Black Helix Hose
3	GD11123	4	Anchor
	GD11124	2	Strap, 84"
	G10901	4	Lock Nut, ⅜"-16
	G10485	4	Hex Head Tap Bolt, ⅜"-16 x 5"
	G10674	1	Hose Clamp, No. 24
	4	GA14112	1
G10004		2	Hex Head Cap Screw, ⅜"-16 x 1¼"
G11091		2	Serrated Flange Nut, ⅜"-16
5		G10633	1
	G10674	3	Hose Clamp, No. 24
	G4200-03	1	Hose, 1¼" x 32', 12 Row 30"
	G4200-06	-	Hose, 1¼" x 40', 16 Row 30"
6	GD10110	2	Mounting Angle (2 Per Tank)
	GD1747	2	U-Bolt, 5" x 7" x ¾"-10
	G10231	4	Lock Washer, ¾"
	G10105	4	Hex Nut, ¾"-10
	7	G10626	3
G10674		3	Hose Clamp, No. 24
8		GA4976	1
	GR1015	-	Body O-Ring (Included W/GA4976)
	GR1016	-	Stem O-Ring (Included W/GA4976)
	GR1017	-	Teflon Seat (Included W/GA4976)
	GR1018	-	Ball (Included W/GA4976)
	GR1019	-	Handle (Included W/GA4976)
	G10887	1	Elbow, 90°, 1¼" Male NPT To Female
10	G10619	1	Close Nipple, 1¼" NPT
11	G10616	2	Reducing Bushing, 2" Male NPT To 1¼" Female
12	G10630	2	Elbow, 90°, 2" NPT To Barb
	G10676	2	Hose Clamp, No. 36, Stainless Steel
	G4201-03	1	Hose, 2" x 18', 12 and 16 Row
	G10888	1	Tee, 2" Female NPT
14	GA2660	1	Shutoff Valve, 2" NPT
15	G10623	1	Close Nipple, 2" NPT
16	G10889	1	Elbow, 45°, 2" Male NPT To Female
17	GD3623	1	Adapter, 2" Male NPT To Cam Lock
18	GD3951	1	Dust Cap, 2" Cam Lock
19	GD1113	1	U-Bolt, 5" x 7" x ⅝"-11
	G10230	2	Lock Washer, ⅝"
	G10104	2	Hex Nut, ⅝"-11
	GA7845	1	Quick Fill Mount, 2"
21	GA7133	2	Tank Mount (2 Per Tank)
	GD1862	1	Pad, 8" x 14' (For Two 30" Tanks)
	G10007	4	Hex Head Cap Screw, ⅝"-11 x 1½"
	G10230	4	Lock Washer, ⅝"
	G10104	4	Hex Nut, ⅝"-11
	22	GD20060	1
G10674		1	Hose Clamp, No. 24

(IP1244)

1 1/4" At Bottom  
Of Tank

3/4" At  
Bottom  
And Top  
Of Tank

Polypropylene Fitting Assemblies  
See Item 1



ITEM	PART NO.	QTY.	DESCRIPTION
1	GA14050	1	Tank W/Sealed Lid, 200 Gallon
	GA16428	1	Lid, 7" W/Vaccum Breaker (Included W/GA14050)
	GA16157	1	Vacuum Breaker
	GR1708	1	¾" Bulkhead Overflow Fitting Assembly (Overflow Fitting, Nut, Bushing, And O-Ring) (Top And Bottom Of Tank) (Included W/GA14050)
	GR1709	2	1¼" Polypropylene Fitting Assembly (Nut, Bushing And O-Ring) (Bottom Of Tank) (Included W/GA14050)
	GR1941	1	Seal (Included W/GA14050)
2	GD11123	4	Anchor
	GD11124	2	Strap, 84"
	G10485	4	Hex Head Tap Bolt, ⅜"-16 x 5"
	G10901	4	Lock Nut, ⅜"-16
3	G10630101	2	200 Gallon Tank Mount
	GD1862	2	Pad, 8" x 14' (For Two 30" Tanks)
	GD1113	4	U-Bolt, 5" x 7" x ⅝"-11
	G10230	8	Lock Washer, ⅝"
	G10104	8	Hex Nut, ⅝"-11
4	G10619	1	Close Nipple, 1¼" NPT
5	G10887	1	Elbow, 90°, 1¼" Male NPT To Female
6	GA4976	1	Shutoff Valve, 1¼" NPT
	GR1015	-	Body O-Ring (Included W/GA4976)
	GR1016	-	Stem O-Ring (Included W/GA4976)
	GR1017	-	Teflon Seat (Included W/GA4976)
	GR1018	-	Ball (Included W/GA4976)
	GR1019	-	Handle (Included W/GA4976)
7	G10626	3	Adapter, 1¼" NPT To Barb
	G10676	2	Hose Clamp, No. 36, Stainless Steel
	G4200-14	1	Hose, 1¼" x 30'
8	G10630	1	Elbow, 90°, 2" NPT To Barb
	G10676	1	Hose Clamp, No. 36, Stainless Steel
	G4206-04	1	Hose, 2" x 8'
9	GA2660	1	Shutoff Valve, 2" NPT
10	G10623	2	Close Nipple, 2" NPT
11	GA7845	1	Quick Fill Mount, 2"
	GD1113	1	U-Bolt, 5" x 7" x ⅝"-11
	G10230	2	Lock Washer, ⅝"
	G10104	2	Hex Nut, ⅝"-11
12	G10889	1	Elbow, 45°, 2" Male NPT To Female
13	GD3623	1	Adapter, 2" Male NPT To Cam Lock
14	GD3951	1	Dust Cap, 2" Cam Lock
15	GA14111	1	Hose Guide
	G10004	1	Hex Head Cap Screw, ⅜"-16 x 1¼"
	G11091	1	Serrated Flange Nut, ⅜"-16
16	GD20060	1	Hose Bracket
	G10004	1	Hex Head Cap Screw, ⅜"-16 x 1¼"
	G11091	1	Serrated Flange Nut, ⅜"-16
17	GD19422	1	1½" Ball Valve Bracket
	GD2117	2	Tie Strap, 14½"
	GD19423	1	Clamp Plate
	G10686	4	Hex Head Cap Screw, ⅜"-16 x 8"
	G10108	4	Lock Nut, ⅜"-16
18	G10287	1	Elbow, 90°, 2" Male NPT To Female
19	G11308	1	Reducing Bushing, 2" Male NPT to 1½" Female

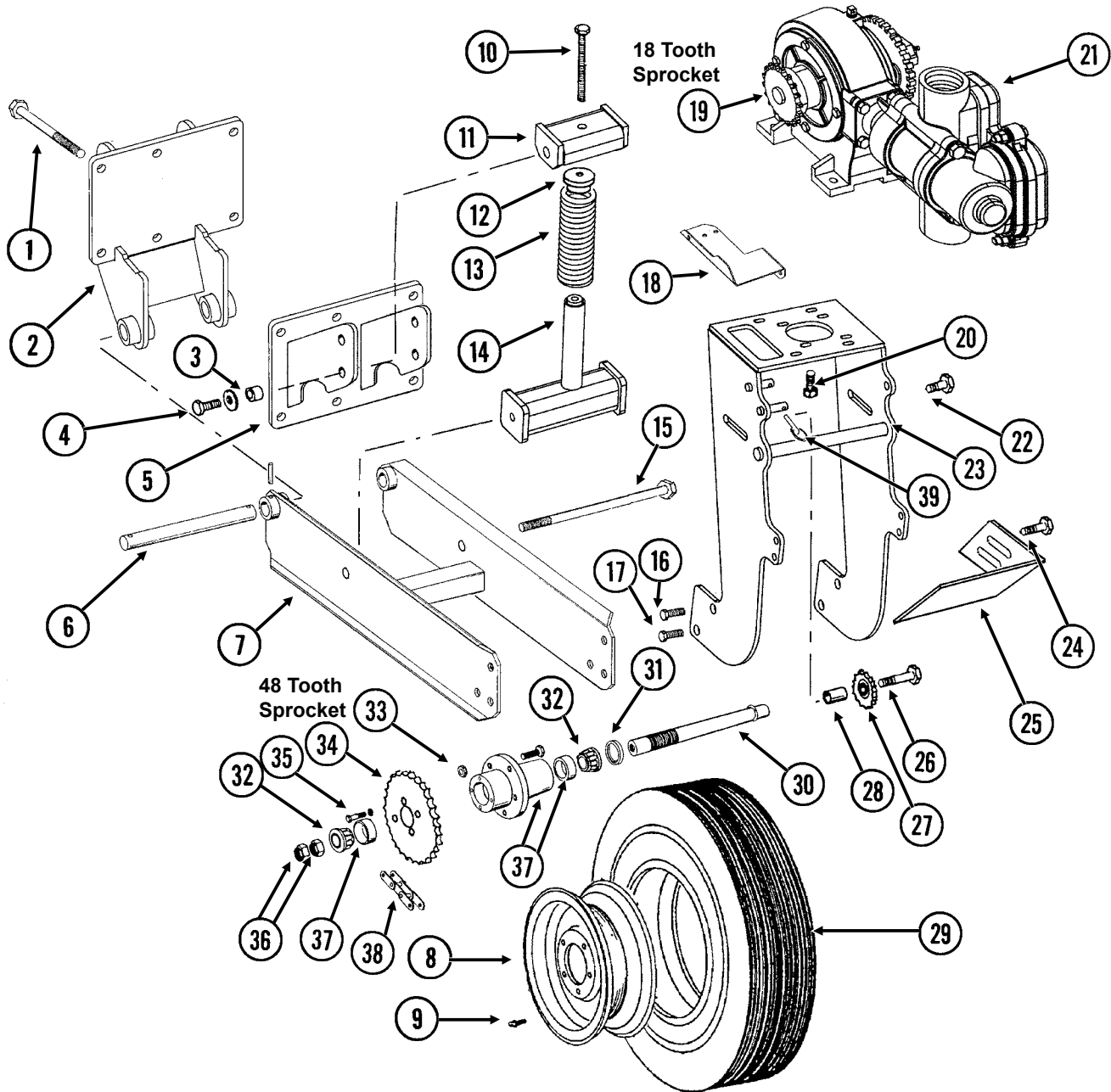
Continued on the next page.

ITEM	PART NO.	QTY.	DESCRIPTION
20	G11306	2	1½" Close Nipple
21	GA13622	1	1½" Ball Valve
22	GA13623	1	Strainer, 1½"
	GR1917	-	Screen, No. 30 Mesh
	GR1918	-	Gasket
	GR0882	-	Y-Body
	GR0883	-	End Cap
23	G10627	1	Adapter, 1½" NPT to Barb
	G4202-04	1	Hose, 1½" x 30'
24	G10674	2	Hose Clamp, No. 24
25	G10888	2	Tee, 2" Female NPT
26	G10616	2	Reducing Bushing, 2" Male NPT To 1¼" Female
27	G10629	1	Elbow, 90°, 1¼" NPT To Barb
28	G10628	1	Adapter, 2" NPT To Barb
29	GA14112	1	Hose Guide
	G10004	2	Hex Head Cap Screw, ⅜"-16 x 1¼"
	G11091	2	Serrated Flange Nut, ⅜"-16
	G4602-02	1	Hose, 1¼" x 22'

**This page left blank intentionally.**

(TWL219rr)

48 Tooth Drive Sprocket And 18 Tooth Driven Sprocket



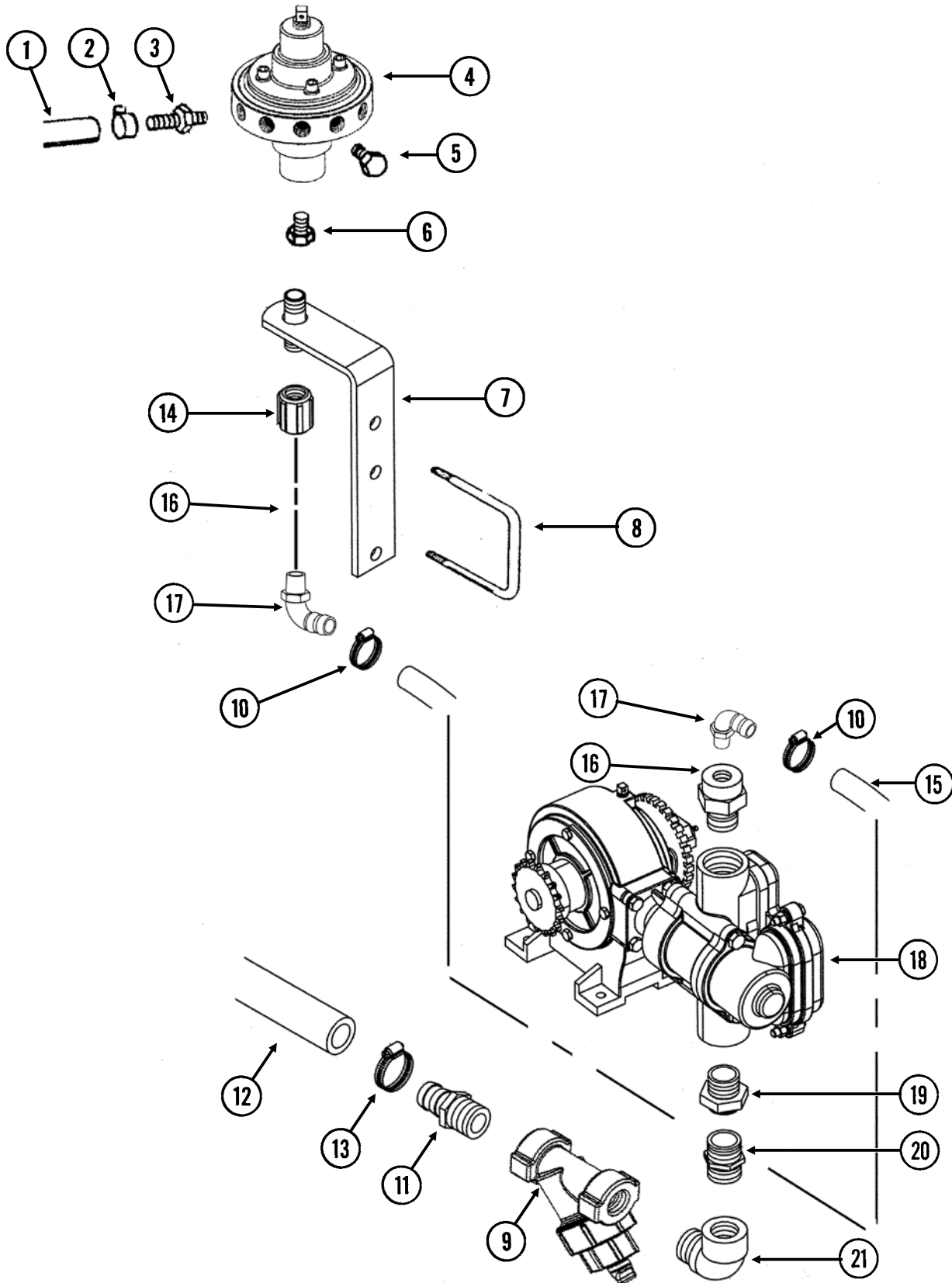
ITEM	PART NO.	QTY.	DESCRIPTION
1	G10830	6	Hex Head Cap Screw, 5/8"-11 x 7 1/2"
	G10230	6	Lock Washer, 5/8"
	G10104	6	Hex Nut, 5/8"-11
2	GA10624	1	Wheel Arm Mount
3	GB0218	2	Bushing, 2 1/32" I.D. x 7/8" O.D. x 1 9/32" Long
4	G10005	2	Hex Head Cap Screw, 5/8"-11 x 1 3/4"
	G11391	2	Flat Washer, 5/8" SAE
	G10107	2	Lock Nut, 5/8"-11
5	GA10622	1	Spring Mount
6	GD2681	1	Pin, 1 1/4" x 13 1/2"
	G10460	2	Cotter Pin, 1/4" x 2"



ITEM	PART NO.	QTY.	DESCRIPTION
7	GA10621	1	Arm W/Grease Fittings
	G10641	2	Grease Fitting, 1/8" NPT (Included W/GA10621)
8	GA0241	1	Wheel, 5" x 15"
9	GD1166	1	Valve Stem
10	G10012	1	Hex Head Cap Screw, 5/8"-11 x 6 1/2"
	G11391	1	Flat Washer, 5/8" SAE
11	GA10908	1	Spring Mount
12	GB0196	1	Washer
13	GD7831	1	Compression Spring
14	GA10907	1	Spring Guide
15	G11122	1	Hex Head Cap Screw, 5/8"-11 x 12"
	G10107	1	Lock Nut, 5/8"-11
16	G10026	2	Hex Head Cap Screw, 3/4"-10 x 2"
	G10231	2	Lock Washer, 3/4"
17	G11042	2	Hex Head Cap Screw, 3/4"-10 x 1 3/4"
	G10231	2	Lock Washer, 3/4"
	G10105	2	Hex Nut, 3/4"-10
18	GD13744	1	Hose Holder
19	GR1146	1	Sprocket, 18 Tooth
20	G10003	4	Hex Head Cap Screw, 3/8"-16 x 1 1/2"
	GR1122	4	Mounting Pad
	G11387	8	Flat Washer, 3/8" SAE
	G10229	4	Lock Washer, 3/8"
	G10101	4	Hex Nut, 3/8"-16
	GR0200	1	Offset Link, No. 2050
21	---	-	<a href="#">See "Liquid Fertilizer Piston Pump (Uses 18 Tooth Sprocket)" on page P251</a>
22	G10007	2	Hex Head Cap Screw, 5/8"-11 x 1 1/2"
	G11391	2	Flat Washer, 5/8" SAE
	G10230	2	Lock Washer, 5/8"
	G10104	2	Hex Nut, 5/8"-11
23	GA10894	1	Pump Mount
24	G10017	2	Hex Head Cap Screw, 1/2"-13 x 1 1/2"
	G11389	2	Flat Washer, 1/2" SAE
	G10228	2	Lock Washer, 1/2"
	G10102	2	Hex Nut, 1/2"-13
25	GD13328	1	Scraper
26	G10013	1	Hex Head Cap Screw, 5/8"-11 x 3 1/2"
	G11391	1	Flat Washer, 5/8" SAE
	G10230	1	Lock Washer, 5/8"
	G10104	1	Hex Nut, 5/8"-11
27	GA0262	1	Idler Sprocket W/Bearing, 15 Tooth
28	GD7817-05	1	Spacer, 1 1/16" I.D. x 1 1/4" Long
29	G10615701	1	Tire, 7.60" x 15", 8 Ply (Specify Brand*)
30	GA2559	1	Spindle
31	GA0252	2	Seal
32	GA0251	2	Bearing
33	GR0267	5	Lug Nut, 1/2"-20
34	G2500-84	1	Sprocket, 48 Tooth
35	G10019	4	Hex Head Cap Screw, 5/16"-18 x 1"
	G10232	4	Lock Washer, 5/16"
36	GD0831	2	Shoulder Nut, 1 1/4"-12 UNF-2A
37	GA0547	1	Hub W/Cups And Studs, 5 Bolt
	GR0190	2	Cup (Included W/GA0547)
	GR0204	5	Stud (Included W/GA0547)
38	G3200-63	-	Chain, No. 2050, 63 Pitch Including Connector And Offset Link, Used With NGP-7075 Piston Pump
	GR0195	-	Connector Link, No. 2050
	GR0200	-	Offset Link, No. 2050
39	GD2558	1	Lynch Pin, 1/4"

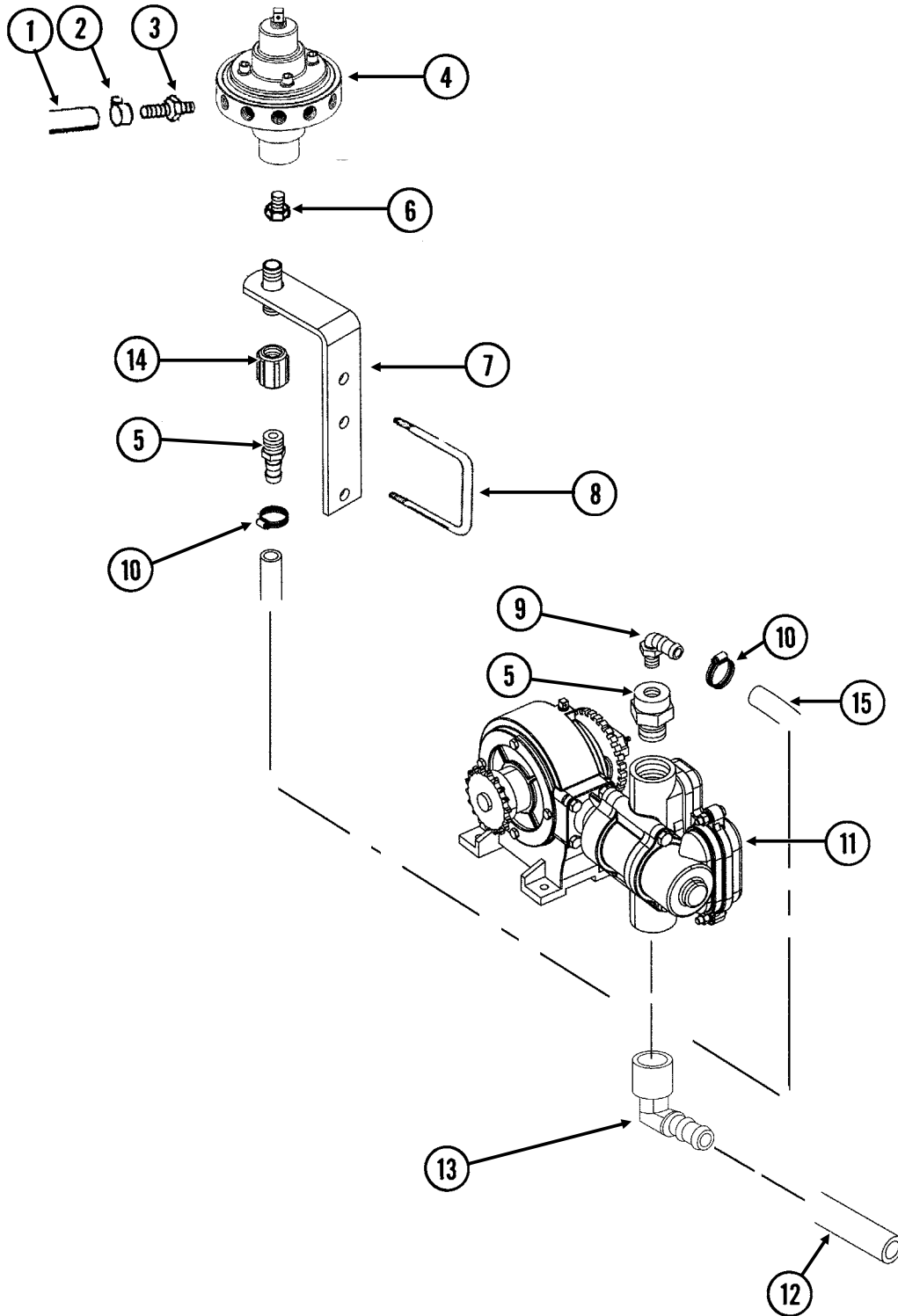
\* Specific brand requests will be supplied only as available from current Kinze Repair Parts stock. If a specific brand requested is not in stock, the brand available will be supplied. Different brand tires may have different diameters. Change in tire brand may affect rates. Field checks are recommended after any change in tires.

(FRTZ280/FRTZ298)



ITEM	PART NO.	QTY.	DESCRIPTION
1	G4301-06	1	Hose, 3/8" x 160', 12 Row
	G4301-05	1-2	Hose, 3/8" x 120', 16 Row
2	G10681	-	Hose Clamp, No. 6
3	GD11700	-	Adapter, 1/4" NPT To 3/8" Barb
4	---	-	<a href="#">See "Liquid Fertilizer Piston Pump Flow Divider" on page P253</a>
5	G10292	-	Pipe Plug, 1/4" NPT
6	G10995	1	Reducing Bushing, 1" Male NPT To 3/4" Female, Stainless Steel (If Applicable)
7	GA6527	1	Mount, 3/4" NPT
8	GD1113	1	U-Bolt, 5" x 7" x 5/8"-11
	G10230	2	Lock Washer, 5/8"
	G10104	2	Hex Nut, 5/8"-11
9	GA3893	1	Strainer Complete
	GR0880	-	Screen, No. 40 Mesh (Included W/GA3893)
	GR0881	-	Gasket (Included W/GA3893)
	GR0882	-	Y-Body (Included W/GA3893)
	GR0883	-	End Cap (Included W/GA3893)
10	G10278	-	Hose Clamp, No. 16
11	G10626	2	Adapter, 1 1/4" NPT To Barb
12	---	-	<a href="#">See "Liquid Fertilizer Tanks, Saddles, Saddle Mounts, and Hoses (Conventional)" on page P239</a>
13	G10674	2	Hose Clamp, No. 24
14	G11083	1	Coupler, 3/4" Female NPT
15	G4205-10	-	Hose, 3/4" x 200"
16	---	-	---
17	G10917	2	Elbow, 90°, 3/4" NPT To Barb
18	---	-	<a href="#">See "Liquid Fertilizer Piston Pump (Uses 18 Tooth Sprocket)" on page P251</a>
19	G10615	1	Reducing Bushing, 1 1/2" Male NPT To 1 1/4" Female
20	G10619	1	Close Nipple, 1 1/4" NPT
21	G10887	1	Elbow, 90°, 1 1/4" Male NPT To Female

(FRTZ298b)

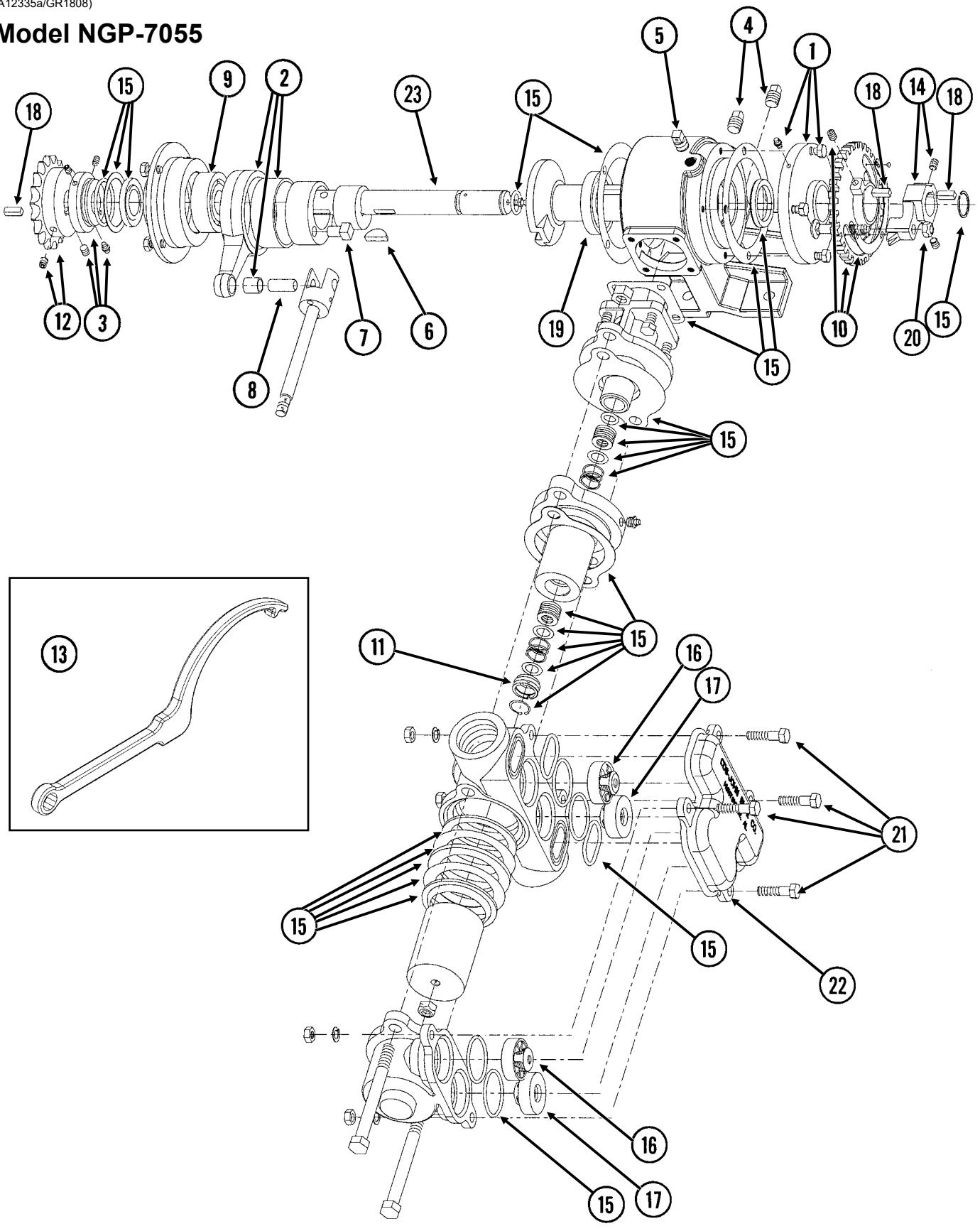


## Liquid Fertilizer Flow Divider Mount and Hoses (Bulk Fill)

ITEM	PART NO.	QTY.	DESCRIPTION
1	G4301-06	1	Hose, 3/8" x 160', 12 Row
	G4301-05	1-2	Hose, 3/8" x 120', 16 Row
2	G10681	-	Hose Clamp, No. 6
3	GD11700	-	Adapter, 1/4" NPT To 3/8" Barb
4	---	-	<a href="#">See "Liquid Fertilizer Piston Pump Flow Divider" on page P253</a>
5	G10734	1	Reducing Bushing, 1 1/2" Male NPT To 3/4" Female
6	G10995	1	Reducing Bushing, 1" Male NPT To 3/4" Female, Stainless Steel (If Applicable)
7	GA6527	1	Mount, 3/4" NPT
8	GD1113	1	U-Bolt, 5" x 7" x 5/8"-11
	G10230	2	Lock Washer, 5/8"
	G10104	2	Hex Nut, 5/8"-11
9	G10917	1	Elbow, 90°, 3/4" NPT To Barb
10	G10278	-	Hose Clamp, No. 16
11	---	-	<a href="#">See "Liquid Fertilizer Piston Pump (Uses 18 Tooth Sprocket)" on page P251</a>
12	---	-	<a href="#">See "Liquid Fertilizer Tanks, Saddles, Saddle Mounts, and Hoses (Bulk Fill)" on page P241</a>
13	G11305	1	1 1/2" Male NPT/Hose Barb Elbow
14	G11083	1	Coupler, 3/4" Female NPT
15	G4205-10	-	Hose, 3/4" x 200"

(A12335a/GR1808)

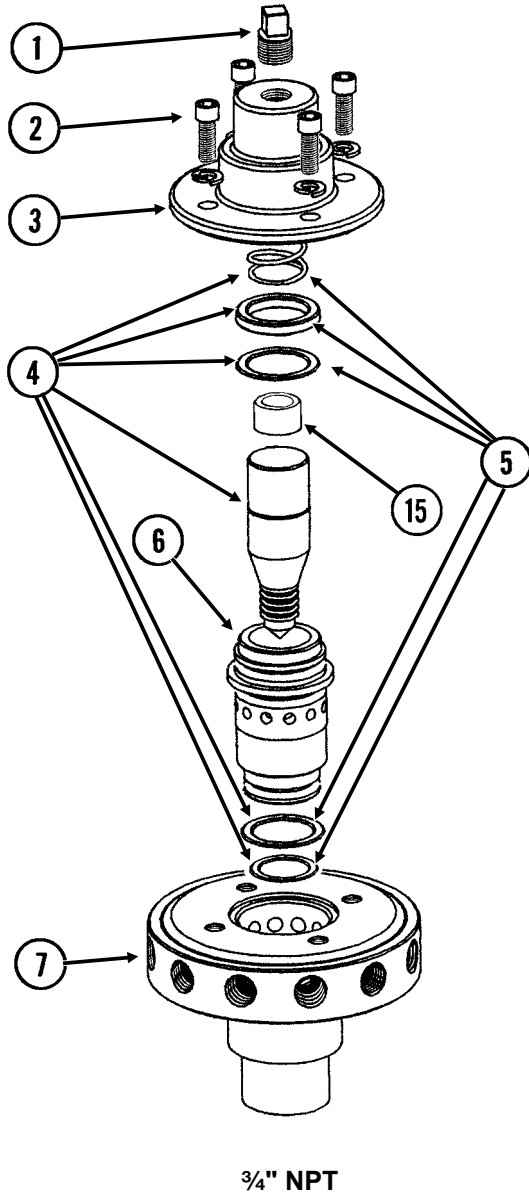
Model NGP-7055



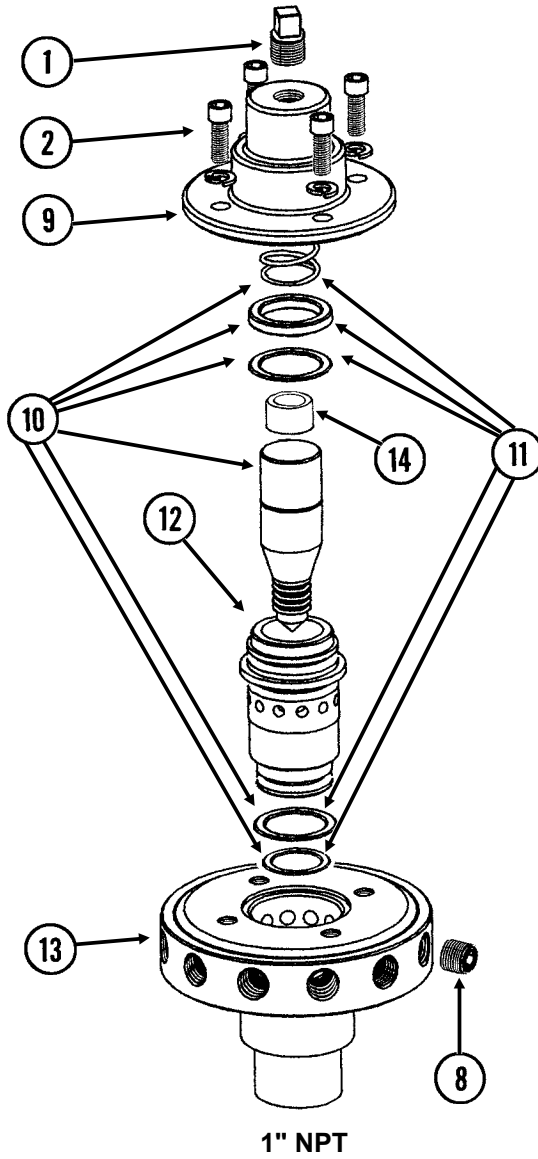
ITEM	PART NO.	QTY.	DESCRIPTION
1	GR1804	1	Flange Cover Assembly
	G10991	4	Hex Head Cap Screw, 5/16"-18 x 7/8"
2	GR1803	1	Connecting Rod Assembly
3	GR1801	1	Spacer Assembly
	G10693	3	Hex Socket Head Set Screw, 5/16"-18 x 3/8"
4	GR1123	2	Plug
5	GR1543	1	Vent Plug
6	GR1112	1	Woodruff Key
7	GR1120	1	Eccentric Pin
8	GR1124	1	Pin
9	GR1104	1	Bearing
10	GR1805	1	Setting Hub Assembly
11	GR1134	1	Stuffing Box Insert
12	GR1146	1	Sprocket, 18 Tooth
13	GR1808	1	Adjustment Wrench
14	GR1806	1	Setting Pointer Assembly
15	GR1796	1	Repair Kit, Includes: (6) Gaskets, (9) O-Rings, (4) Washers, (1) Retaining Ring, (2) Oil Seals, (1) Snap Ring, (1) Thrust Washer, (1) Rod Bushing, (2) Flange Plunger Packings, (2) Packing Springs, (2) Rod Vee Packing Sets
16	GR1800	2	Discharge Valve Assembly
17	GR1798	2	Suction Valve Assembly
18	GR1118	3	Setting Arm Key
19	GR1116	1	Bearing
20	G10306	1	Carriage Bolt, 3/8"-16 x 2"
	G10108	1	Lock Nut, 3/8"-16
21	G10003	4	Hex Head Cap Screw, 3/8"-16 x 1 1/2"
	G11387	4	Flat Washer, 3/8" SAE
	G10229	4	Lock Washer, 3/8"
	G10101	4	Hex Nut, 3/8"-16
22	GR2011	1	Valve Cover, NPG-7055
23	GR2185	-	Crankshaft
A	GA12335	-	Piston Pump Complete W/18 Tooth Sprocket (Model NGP-7055)

(FRTZ159/PT40a/FRTZ202c)

**Model FD-1200 Flow Divider,  
12 Outlet**



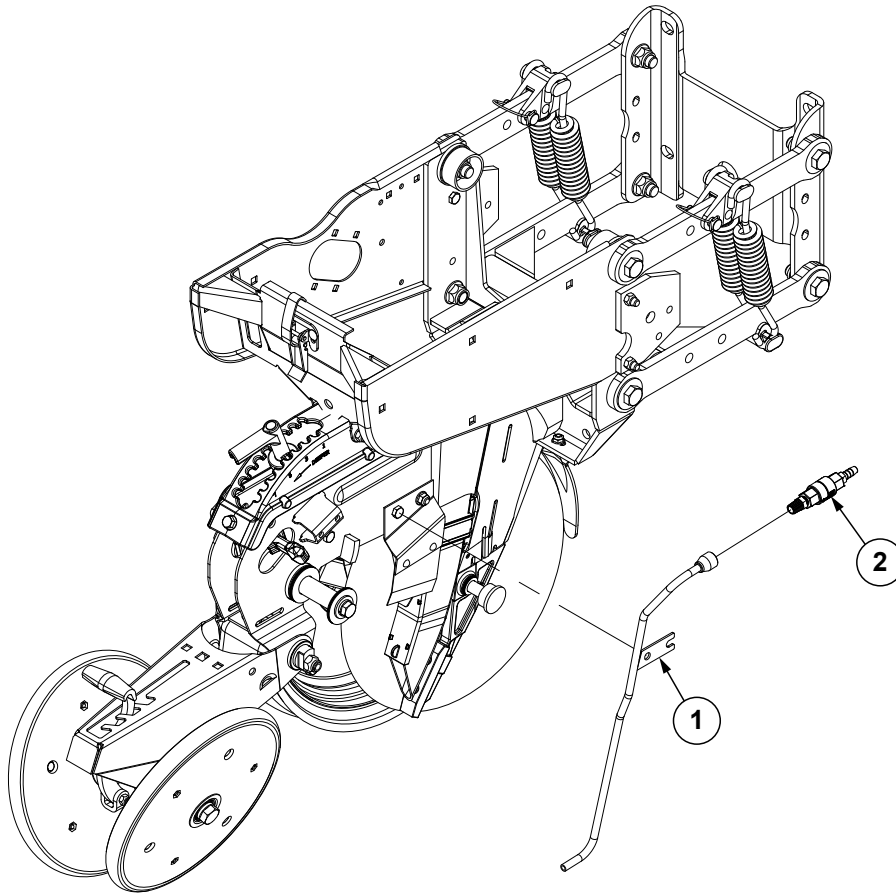
**Model FD-2000 Flow Divider,  
20 Outlet**





ITEM	PART NO.	QTY.	DESCRIPTION
1	GR1543	1	Vent Plug
2	GR1542	4	Hex Socket Head Screw, 1/4"-20 x 3/4"
	GR1541	4	Lock Washer, 1/4", Stainless Steel
3	GR1540	1	Cap
4	GR1544	1	Needle Assembly W/Seal Kit (Item 22)
5	GR1545	1	Seal Kit, Includes: (3) O-Rings, (1) Seal, (1) Spring
6	GR1535	1	Sleeve
7	GR1533	1	Body, 12 Outlets
8	G10350	4	Hex Socket Head Plug, 1/4" NPT, Stainless Steel
9	GR1566	1	Cap
10	GR1567	1	Needle Assembly W/Seal Kit (Item 22)
11	GR1568	1	Seal Kit, Includes: (3) O-Rings, (1) Seal, (1) Spring
12	GR1561	1	Sleeve
13	GR1559	1	Body, 20 Outlets
14	GR1575	1	Sleeve, Stainless Steel
15	GR1574	1	Sleeve, 1" O.D. x 1/2" Long, Stainless Steel
A	GA8931	1	Liquid Fertilizer Piston Pump Flow Divider Complete, 12 Outlet (Model FD-1200) (Items 1-7) (12 Row Sizes)
B	GA9407	1	Liquid Fertilizer Piston Pump Flow Divider Complete, 20 Outlet (Model FD-2000) (Items 1, 2 And 8-14) (16 Row Size)

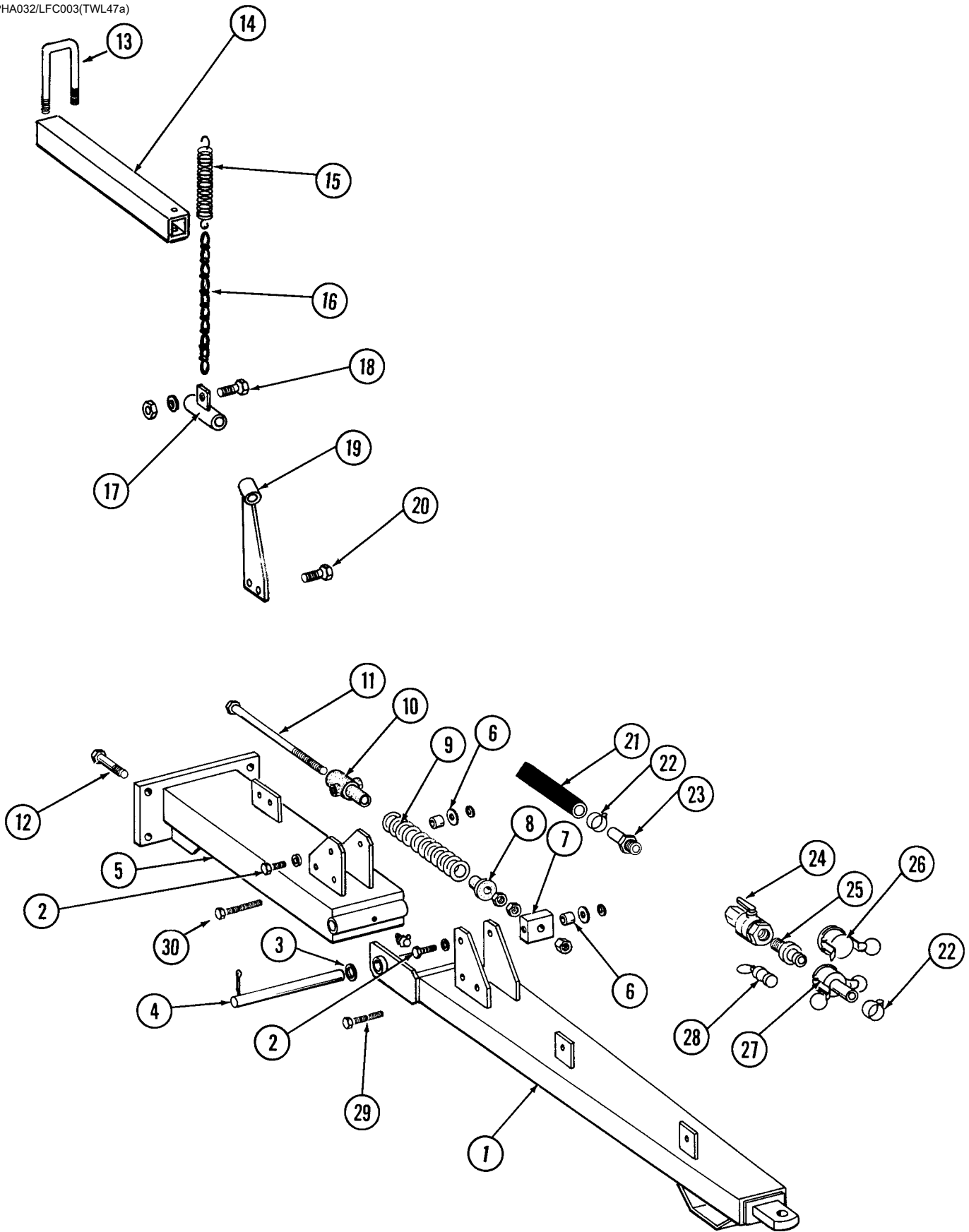
(IP1624)



ITEM	PART NO.	QTY.	DESCRIPTION
1	GA18822	-	Liquid Fertilizer Tube
2	GA20583	-	Check Valve Assembly

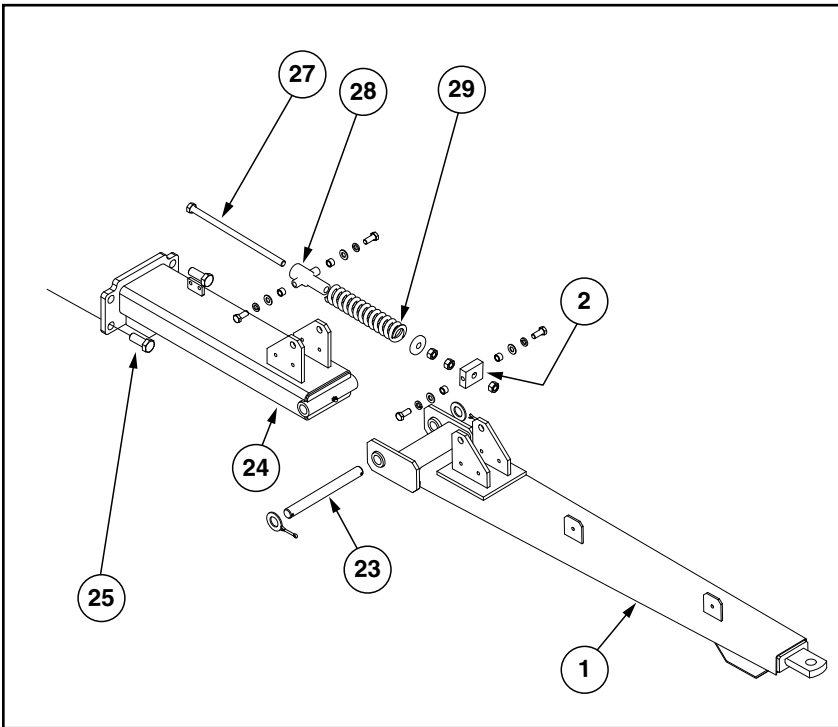
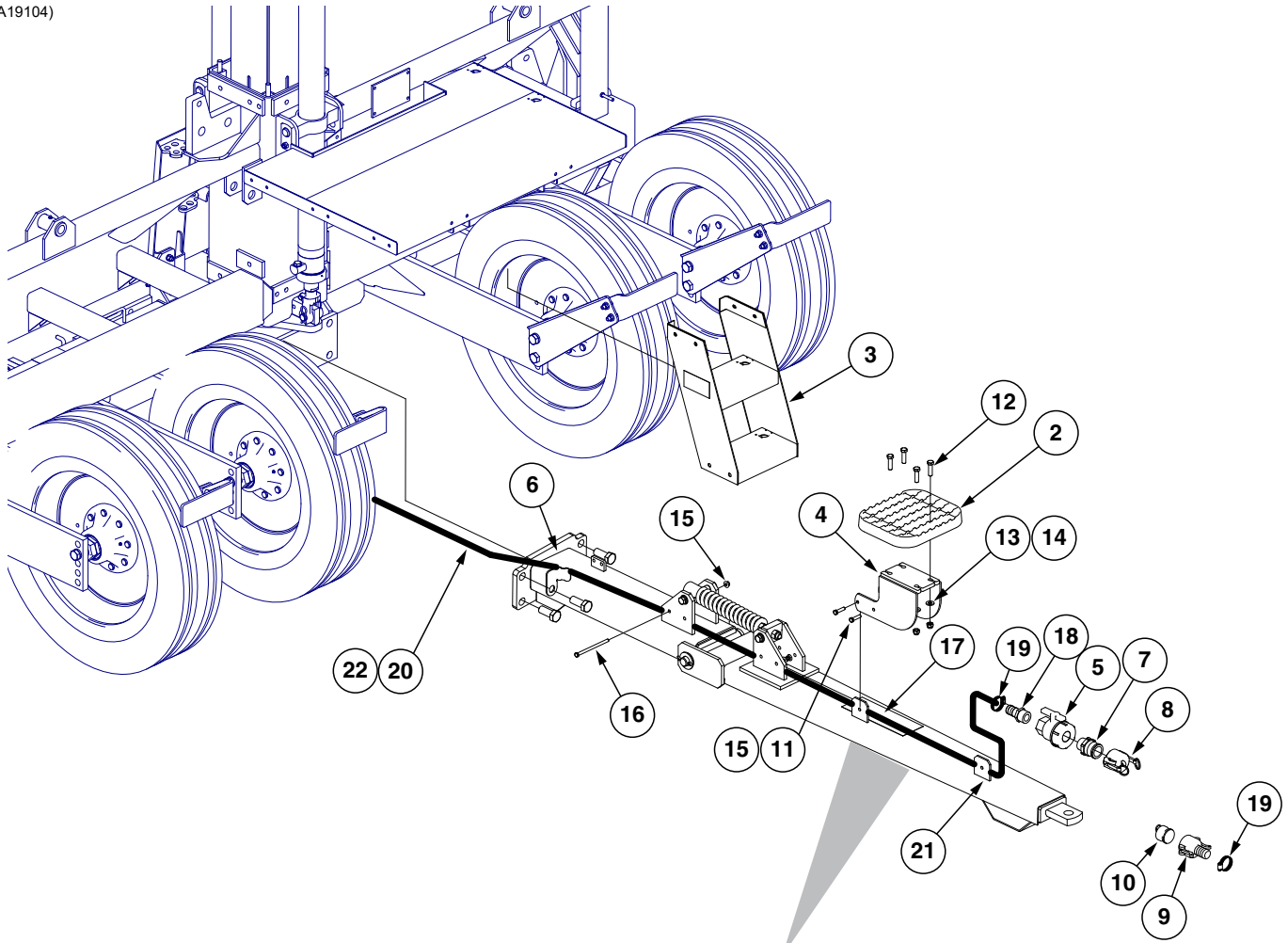
**This page left blank intentionally.**

PHA032/LFC003(TWL47a)

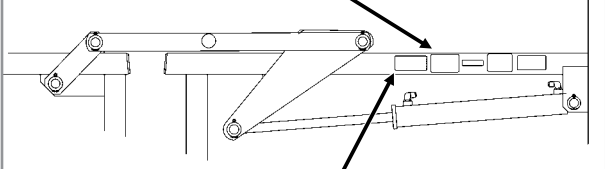

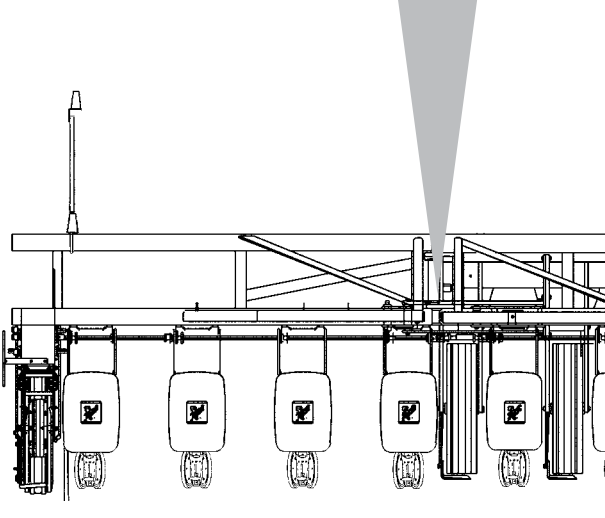



ITEM	PART NO.	QTY.	DESCRIPTION
1	GA6961	1	Hitch
2	G10007	4	Hex Head Cap Screw, 5/8"-11 x 1 1/2"
	G11391	4	Flat Washer, 5/8" SAE
	G10230	4	Lock Washer, 5/8"
3	G11396	2	Flat Washer, 1 1/4" SAE
4	GD3547	1	Pin, 1 1/4" x 12 3/4"
	G10460	2	Cotter Pin, 1/4" x 2"
5	GA6960	1	Hitch
6	GB0218	4	Bushing, 2 1/32" I.D. x 7/8" O.D. x 1 9/32" Long
7	GD7908	1	Tap Block
8	GD34923	1	Spring Seat
9	GD2115	1	Spring
10	GB0206	1	Rod Guide
11	GD7907	1	Special Bolt
	G10105	3	Hex Nut, 3/4"-10
12	G10826	5	Hex Head Cap Screw, 1"-8 x 2 1/2"
	G10396	5	Lock Nut, 1"-8
13	GD2721	2	U-Bolt, 2" x 2" x 1/2"-13
	G10228	4	Lock Washer, 1/2"
	G10102	4	Hex Nut, 1/2"-13
14	GD10196	-	Hanger Tube
15	GD0829	-	Spring
16	G3305-03	-	Twin Loop Chain, 15 Links
17	GA7209	-	Hose Support
18	G10064	1	Hex Head Cap Screw, 1/4"-20 x 1"
	G11385	2	Flat Washer, 1/4" SAE
	G10110	1	Lock Nut, 1/4"-20, Grade B
19	GA7208	-	Hose Support
20	G10004	2	Hex Head Cap Screw, 3/8"-16 x 1 1/4"
	G10108	2	Lock Nut, 3/8"-16
21	G4200-01	1	Hose, 1 1/4" x 22'
22	G10672	6	Hose Clamp, No. 28
23	G10626	1	Adapter, 1 1/4" NPT To Barb
24	GA4976	1	Shutoff Valve, 1 1/4" NPT
	GR1015	-	Body O-Ring (Included W/GA4976)
	GR1016	-	Stem O-Ring (Included W/GA4976)
	GR1017	-	Teflon Seat (Included W/GA4976)
	GR1018	-	Ball (Included W/GA4976)
	GR1019	-	Handle (Included W/GA4976)
25	GD1514	1	Adapter, 1 1/4" Male NPT To Cam Lock
26	GD1515	1	Dust Cap, 1 1/4" Cam Lock
27	GD1516	1	Adapter, 1 1/4" Barb To Female Cam Lock
28	GD1517	1	Dust Plug, 1 1/4" Male Cam Lock
29	G10172	1	Hex Head Cap Screw, 3/8"-16 x 5"
	G10229	1	Lock Washer, 3/8"
	G10101	1	Hex Nut, 3/8"-16
30	G10756	1	Hex Head Cap Screw, 3/8"-16 x 6"
	G10229	1	Lock Washer, 3/8"
	G10101	1	Hex Nut, 3/8"-16

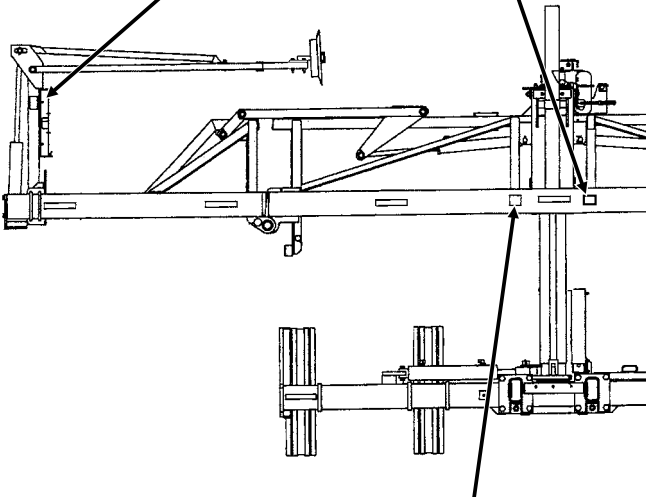


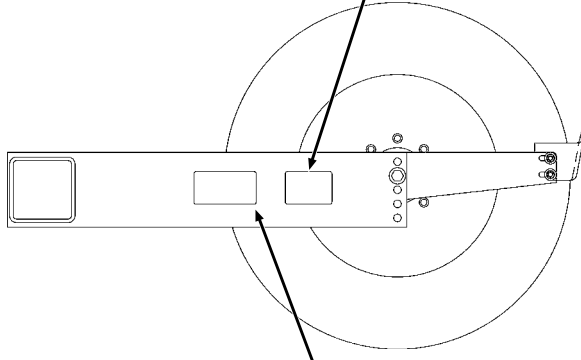


(A19104)

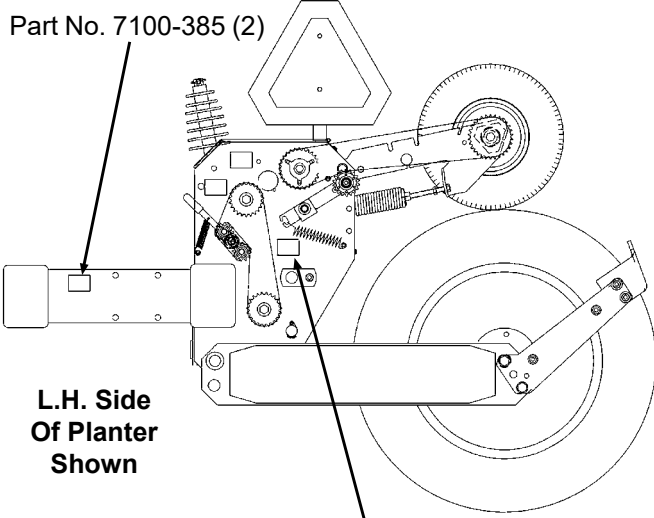

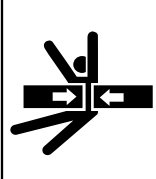

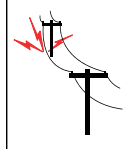
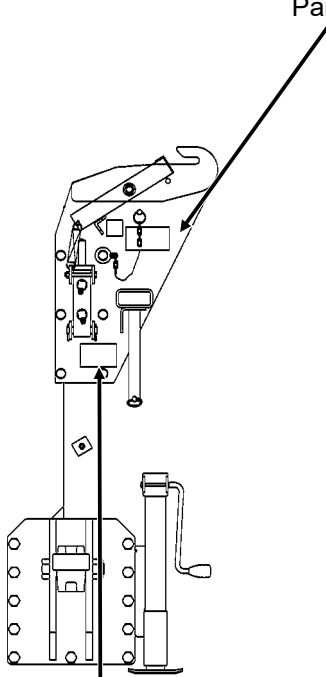


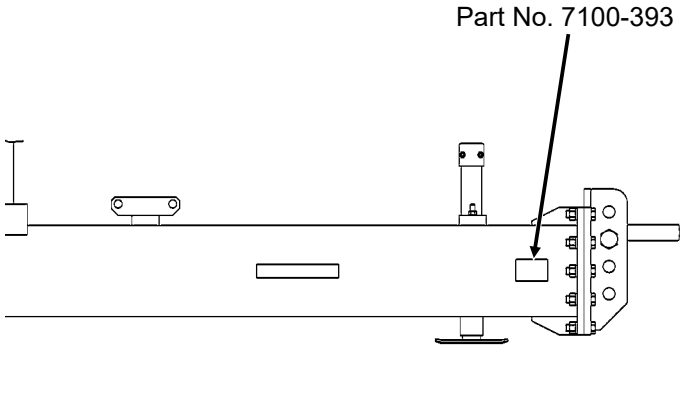


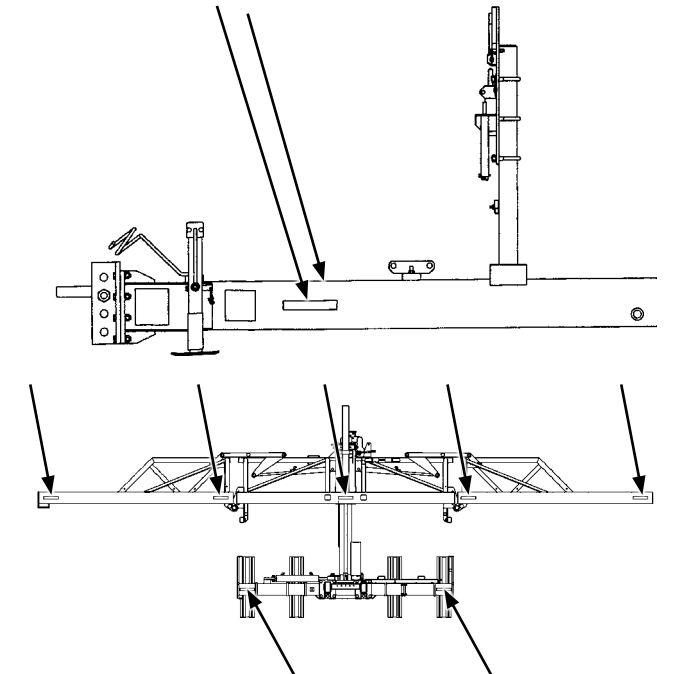
ITEM	PART NO.	QTY.	DESCRIPTION
1	GA6961	1	Hitch
2	GB0315	1	Step
3	GA16145	1	Ladder
4	GA14520	1	Hitch Step
5	GA4976	1	Shutoff Valve, 1¼" NPT
	GR1015	-	Body O-Ring (Included W/GA4976)
	GR1016	-	Stem O-Ring (Included W/GA4976)
	GR1017	-	Teflon Seat (Included W/GA4976)
	GR1018	-	Ball (Included W/GA4976)
	GR1019	-	Handle (Included W/GA4976)
6	GD20757	1	Hose Routing Bracket
7	GD1514	1	Adapter, 1¼" Male NPT To Cam Lock
8	GD1515	1	Dust Cap, 1¼" Cam Lock
9	GD1516	1	Adapter, 1¼" Barb To Female Cam Lock
10	GD1517	1	Dust Plug, 1¼" Male Cam Lock
11	G10003	4	Hex Head Cap Screw, ⅜"-16 x 1½"
12	G10039	4	Hex Head Cap Screw, ½"-13 x 1¾"
13	G11389	4	Flat Washer, ½" SAE
14	G10111	4	Lock Nut, ½"-13
15	G11091	5	Serrated Flange Nut, ⅜"-16
16	G10756	1	Hex Head Cap Screw, ⅜"-16 x 6"
17	GD13706-02	1	Anti-Slip Tape, 4" x 12"
18	G10626	1	Adapter, 1¼" NPT To Barb
19	G10672	2	Hose Clamp, No. 28
20	G4200-01	1	Hose, 1¼" x 22'
21	GD2117	2	Cable Tie, 14½"
22	GD2984	2	Cable Tie, 34"
23	GD3547	1	Pin, 1¼" x 12¾"
	G11396	2	Flat Washer, 1¼"
	G10460	2	Cotter Pin, ¼" x 2"
24	GA6960	1	Hitch
25	G10826	5	Hex Head Cap Screw, 1"-8 x 2½"
	G10396	5	Lock Nut, 1"-8
26	GD7908	1	Tap Block
	G10007	2	Hex Head Cap Screw, ⅝"-11 x 1½"
	G10230	2	Lock Washer, ⅝"
	G11391	2	Flat Washer, ⅝" SAE
	GB0218	2	Bushing, 2 <sup>1</sup> / <sub>32</sub> " I.D. x 7 <sup>7</sup> / <sub>8</sub> " O.D. x 1 <sup>9</sup> / <sub>32</sub> " Long
27	GD7907	1	Special Bolt
28	GB0206	1	Rod Guide
	G10007	2	Hex Head Cap Screw, ⅝"-11 x 1½"
	G10230	2	Lock Washer, ⅝"
	G11391	2	Flat Washer, ⅝" SAE
	GB0218	2	Bushing, 2 <sup>1</sup> / <sub>32</sub> " I.D. x 7 <sup>7</sup> / <sub>8</sub> " O.D. x 1 <sup>9</sup> / <sub>32</sub> " Long
29	GD2115	1	Spring
	G10105	3	Hex Nut, ¾"-10
	GD34923	1	Spring Seat

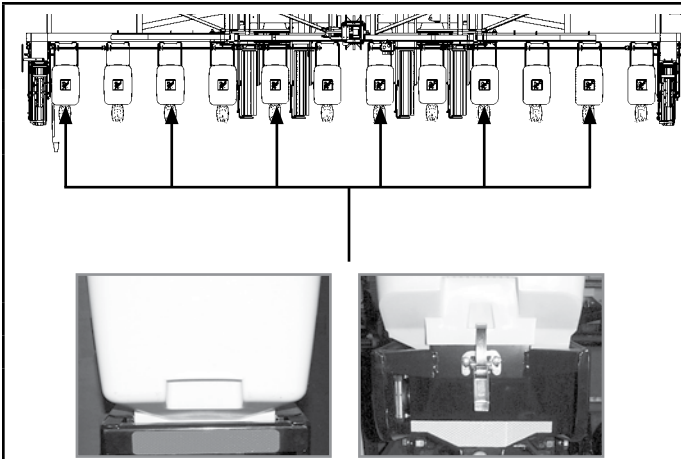
<p>Part No. 7100-400 Front And Rear - Left And Right Sides (4)</p>  <p>Part No. G7100-387 Rear Left Side (1)</p>	
	<p>Part No.: G7100-400 Description: Decal, Warning Quantity: 4 (Front and Rear/Left and Right)</p>
	
	<p>Part No.: G7100-385 Description: Decal, Warning Quantity: 1</p>



<p>Part No. 7100-385 Front And Back On L.H. Side Of Planter</p> <p>Part No. 7100-397 On Each Side of Row Marker</p>  <p>Part No. 7100-385 Front And Back On R.H. Side Of Planter</p>	 <p><b>WARNING</b></p> <p>Uncontrolled machine movement can crush resulting in death, serious injury, or damage to property and equipment. Install safety lockup devices before working under or transporting this equipment.</p>
<p>Part No.: G7100-385 Description: Decal, Warning Quantity: 2 Front And Back On L.H. Side Of Planter (2)</p>	 <p><b>WARNING</b></p> <p>Row marker can lower at any time and could cause death or serious injury. Stay away from row markers! Install safety lockup device when not in use.</p>
<p>Part No.: G7100-397 Description: Decal, Danger Quantity: 2 On Each Side of Row Marker</p>	<p>Part No. 7100-386 (1)</p>  <p>Part No. 7100-370 (2) Each side of outer stub axles.</p>
 <p><b>WARNING</b></p> <p>Removing this wheel and axle assembly can cause equipment to tip over which could result in death, serious injury, or damage to property and equipment.</p>	<p>Part No.: G7100-386 Description: Decal, Warning Quantity: 1</p>
 <p><b>WARNING</b></p> <p>Overinflation may cause explosive separation of tire and rim which could result in death or serious injury. Follow inflation specifications and maintenance instructions in the operator's manual.</p>	<p>Part No.: G7100-370 Description: Decal, Warning Quantity: 2 On Each Side Of Outer Stub Axles</p>

 <p>Part No. 7100-385 (2)</p> <p>L.H. Side Of Planter Shown</p> <p>Part No. 7100-402 (2)</p>	 <p><b>WARNING</b></p> <p>Uncontrolled machine movement can crush resulting in death, serious injury, or damage to property and equipment. Install safety lockup devices before working under or transporting this equipment.</p>
<p>Part No.: G7100-385 Description: Decal, Warning Quantity: 2</p>	 <p><b>WARNING</b></p> <p>Uncontrolled movement of planter components can cause death, serious injury, or damage to property and equipment. Raise planter and install cylinder lockups before folding. Fold on level ground. Install wing safety latches before towing.</p>
<p>Part No.: G7100-402 Description: Decal, Warning Quantity: 2</p>	 <p><b>WARNING</b></p> <p>Uncontrolled movement of equipment can cause loss of control and could result in death, serious injury, or damage to property and equipment. Install all safety pins before transporting equipment.</p>
<p>Part No.: G7100-384 Description: Decal, Warning Quantity: 1</p>	 <p><b>DANGER</b></p> <p>CONTACTING OR COMING CLOSE TO POWER LINES OR OTHER HIGH ENERGY SOURCES WILL CAUSE DEATH OR SERIOUS INJURY. Keep away from power lines or high energy sources at all times.</p>
<p>Part No.: G7100-382 Description: Decal, Danger Quantity: 1</p>	 <p>Part No. 7100-382</p> <p>Part No. 7100-384</p>

 <p>Part No. 7100-393</p>	<div style="border: 1px solid black; padding: 5px;">  <p><b>WARNING</b></p> <p>Loss of control can cause death or serious injury, or damage to property and equipment. Tow only with farm tractor weight rated and configured for this equipment. Use safety chains and transport as specified in the Operator and Parts Manual.</p> </div> <p>Part No.: G7100-393                  Description: Decal, Warning                  Quantity: 1</p>
<div style="border: 1px solid black; padding: 5px;">  <p><b>CAUTION</b></p> <p>Fan can start at any time. Operating fan can blow debris and has a high noise level.</p> <p>Always wear eye and hearing protection when working around fan.</p> </div>	<p>Part No.: G7100-392                  Description: Decal, Caution                  Quantity: 2 (Located On Each Side Of Fan)</p>
	<div style="background-color: #cccccc; width: 100px; height: 20px; margin-bottom: 10px;"></div> <p>Part No.: G7100-558                  Description: Reflective Decal, Amber, 2" x 9", Rectangular                  Quantity: 2 (1 Located on Each Side of Hitch)</p> <p>4 (Used on 12 Row); 5 (Used on 16 Row) (Located On The Front Side Of The Front Toolbar - Side-Facing In Transport Position)</p> <p>2 (Forward-Facing)</p>



Note: 6 used on 12 row; 8 used on 16 row



Part No.: G7100-558  
 Description: Reflective Decal, Amber, 2" x 9", Rectangular  
 Quantity: 2 (Per Row Unit - Located On The Granular Chemical Hopper Panel Extension Of Every Other Row Unit Beginning On The L.H. Side Of The Planter - Side-Facing In Transport Position) (With Optional Granular Chemical)

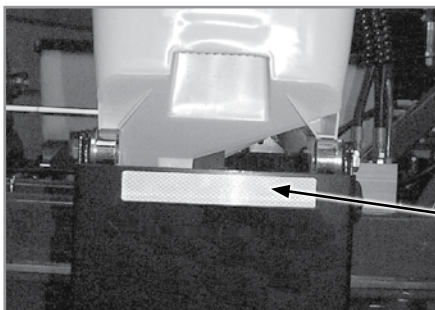
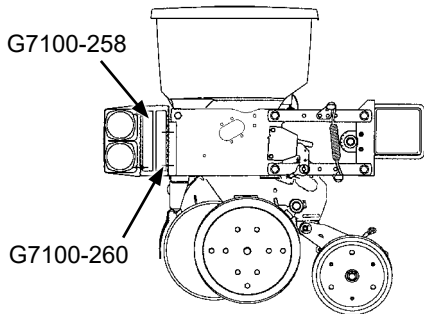
Part No.: G7100-262  
 Description: Reflective Decal, Amber, 1 3/4" x 9", Die-Cut  
 Quantity: 1 (Qty. 1 Per Row Unit - Located On The Hopper Support Of Every Other Row Unit Beginning On The L.H. Side Of The Planter - Side-Facing In Transport Position) (Standard)



Part No.: G7100-557  
 Description: Reflective Decal, Red, 2" x 9" Rectangular  
 Quantity: 1 (Per Outer Scraper - Located On Top)

Part No.: G7100-559  
 Description: Reflective Decal, Orange, 2" x 9" Rectangular  
 Quantity: 1 (Per Outer Scraper - Located On Bottom)

With Even-Row Push Row Unit Option



G7100-259

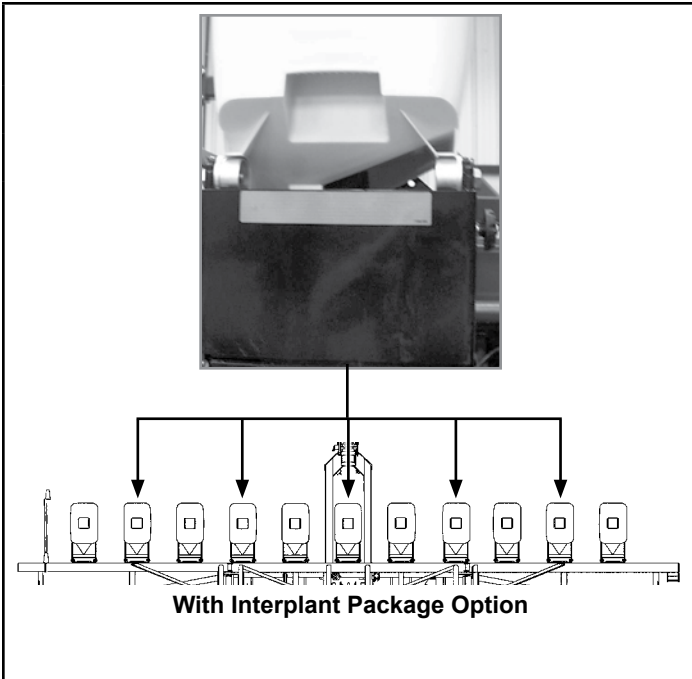


Part No.: G7100-557  
 Description: Reflective Decal, Red, 2" x 9" Rectangular  
 Quantity: 1 (Located On The Light Bracket On The L.H. Side Of The Planter - Rear-Facing In Transport Position)

Part No.: G7100-559  
 Description: Reflective Decal, Orange, 2" x 9" Rectangular  
 Quantity: 1 (Located On The Light Bracket On The L.H. Side Of The Planter - Rear-Facing In Transport Position)

Part No.: G7100-558  
 Description: Reflective Decal, Amber, 2" x 9", Rectangular  
 Quantity: 1 Used Located On The Front Of The Optional Even-Row Push Row Unit - Side-Facing In Transport Position)

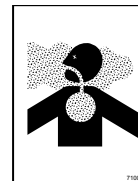
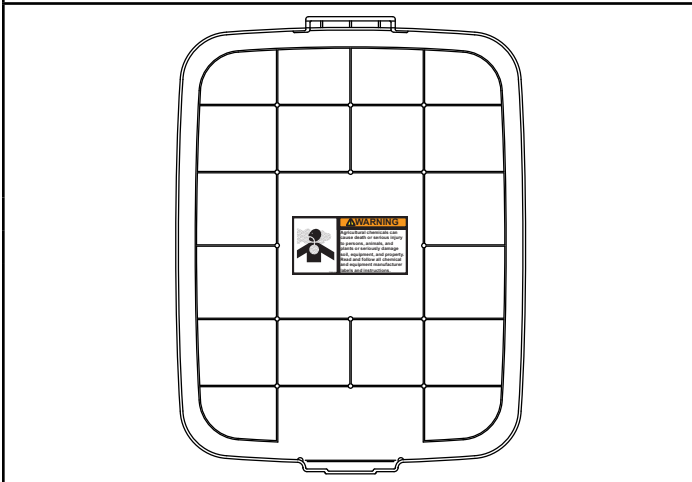
	<div style="background-color: #cccccc; width: 100px; height: 20px; margin-bottom: 10px;"></div> <p>Part No.: G7100-557                  Description: Reflective Decal, Red, 2" x 9" Rectangular                  Quantity: 1 (Located On The Light Bracket On the L.H. Side Of The Planter - Rear-Facing In Transport Position)</p> <p>1 (Located On The Outer Row Unit On the L.H. Side Of The Planter - Rear-Facing In Transport Position)</p> <hr/> <p>Part No.: G7100-559                  Description: Reflective Decal, Orange, 2" x 9" Rectangular                  Quantity: 1 (Located On The Light Bracket On the L.H. Side Of The Planter - Rear-Facing In Transport Position)</p> <p>1 (Located On The Outer Row Unit On the L.H. Side Of The Planter - Rear-Facing In Transport Position)</p>
<p style="text-align: center;"><b>With Granular Chemical Option</b></p>	<div style="background-color: #cccccc; width: 100px; height: 20px; margin-bottom: 10px;"></div> <p>Part No.: G7100-558                  Description: Reflective Decal, Amber, 2" x 9", Rectangular                  Quantity: 1 (Located On The Outer Row Unit On The R.H. Side Of The Planter - Forward- Facing In Transport Position)</p>



Part No.: G7100-558

Description: Reflective Decal, Amber, 2" x 9", Rectangular

Quantity: 5 Used On 12 Row; 7 On 16 Row (Located On The Front Of Every Other Push Row Unit Beginning With The Center Row Unit And Every Other Row Unit To Both Ends - Side-Facing In Transport Position)

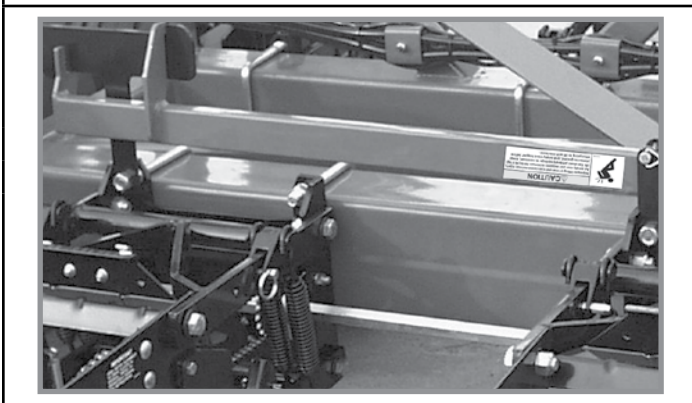


**WARNING**  
 Agricultural chemicals can cause death or serious injury to persons, animals, and plants or seriously damage soil, equipment, and property. Read and follow all chemical and equipment manufacturer labels and instructions.

Part No.: G7100-381

Description: Decal, Warning

Quantity: 1 (1 Per Row Unit - Located On Underside Of Granular Chemical Hopper Lid)



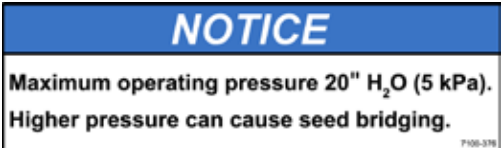
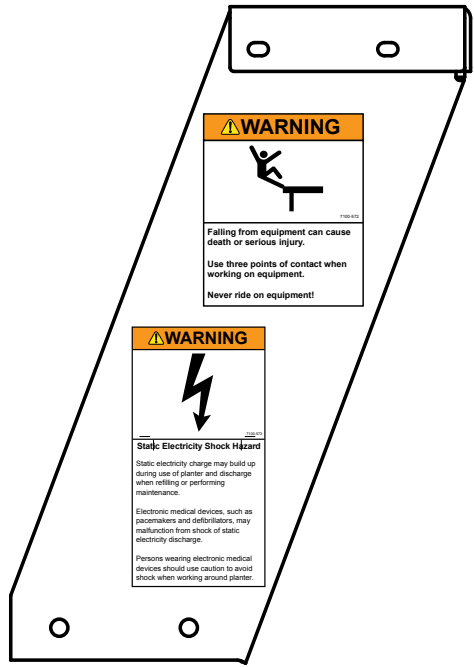




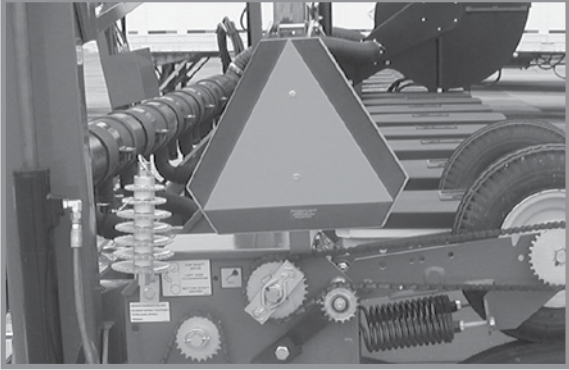
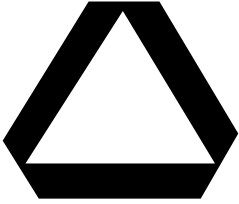
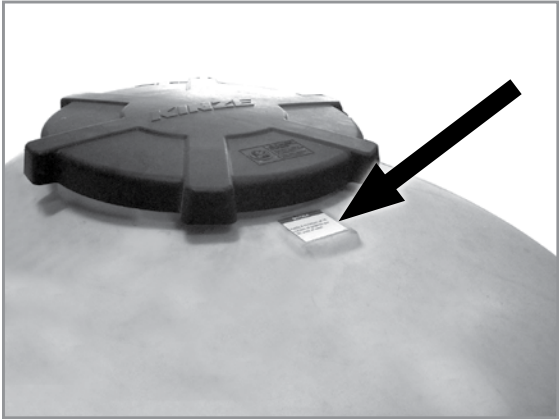
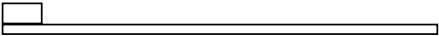

**CAUTION**  
 Improper lifting of row unit can cause serious injury. An empty row unit requires minimum 90 lb (40.8 kg) lift. Set down pressure springs to minimum, lower planter to ground, and empty seed hopper before attempting to lift with this lever.

Part No.: G7100-389




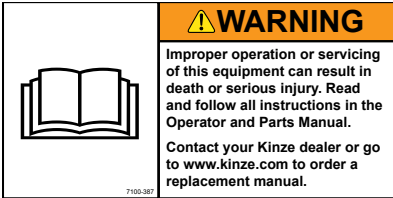
Description: Decal, Caution

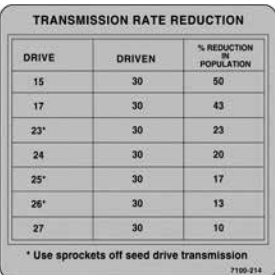


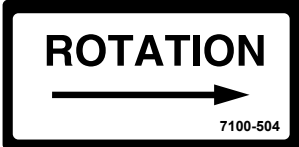
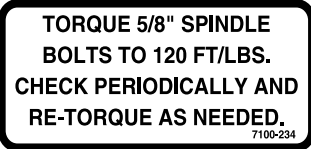
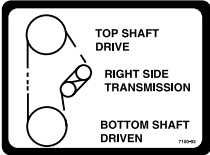
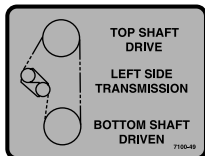
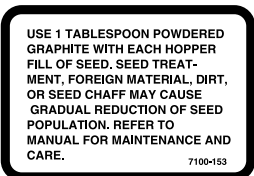

Quantity: 1 (Located On Interplant Push Row Unit Lift Lever)

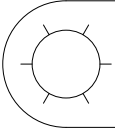
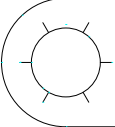


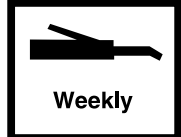



	 <p><b>WARNING</b></p> <p>Uncontrolled machine movement can crush resulting in death, serious injury, or damage to property and equipment. Install safety lockup devices before working under or transporting this equipment.</p> <p>Part No.: G7100-385 Description: Decal, Warning Quantity: 1</p>
 <p><b>NOTICE</b></p> <p>Maximum operating pressure 20" H<sub>2</sub>O (5 kPa). Higher pressure can cause seed bridging.</p> <p>7100-376</p>	<p>Part No.: G7100-376 Description: Decal, Notice Bulk Fill Pressure Quantity: 2 (on each Bulk Fill Tank Lid)</p>
	 <p><b>WARNING</b></p> <p>Falling from equipment can cause death or serious injury. Use three points of contact when working on equipment. Never ride on equipment!</p> <p>7100-572</p> <p>Part No.: G7100-572 Description: Decal, Warning Quantity: 1</p>  <p><b>WARNING</b></p> <p><b>Static Electricity Shock Hazard</b></p> <p>Static electricity charge may build up during use of planter and discharge when refilling or performing maintenance. Electronic medical devices, such as pacemakers and defibrillators, may malfunction from shock of static electricity discharge. Persons wearing electronic medical devices should use caution to avoid shock when working around planter.</p> <p>7100-573</p> <p>Part No.: G7100-573 Description: Decal, Static Shock Quantity: 2 (Located on each side of stair)</p>


	 <p>Part No.: GD2199 Description: SMV Sign Quantity: 1</p>
	<div style="border: 1px solid black; padding: 5px;"> <p style="text-align: center; background-color: blue; color: white; margin: 0;"><b>NOTICE</b></p> <p style="margin: 5px 0;">Apply a minimum of 16 ounces of graphite per 50 units of seed.</p> <p style="text-align: right; font-size: small; margin: 0;">7100-471</p> </div> <p>Part No.: G7100-471 Description: Decal, Notice Quantity: 1</p>
	<p>Part No.: GD1512 Description: Tie Strap, 7½"</p> <p>Part No.: GD2117 Description: Tie Strap, 14½"</p> <p>Part No.: GD2984 Description: Tie Strap, 34"</p>
	<p>Part No.: G10235701 Description: Decal, Fan Free of Debris</p>

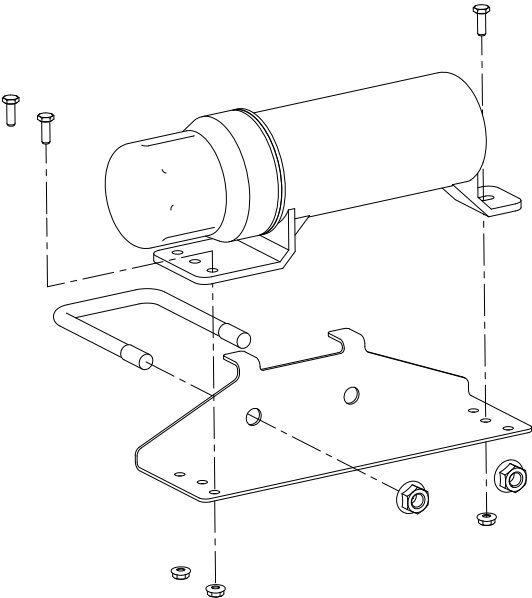



	<p>Part No.: GD10057-01 Description: Hose Identification Sleeve, Red AA</p> <p>Part No.: GD10057-02 Description: Hose Identification Sleeve, Red BB</p> <p>Part No.: GD10057-03 Description: Hose Identification Sleeve, Blue AA</p> <p>Part No.: GD10057-04 Description: Hose Identification Sleeve, Blue BB</p> <p>Part No.: GD10057-11 Description: Hose Identification Sleeve, Green PP</p> <p>Part No.: GD10057-12 Description: Hose Identification Sleeve, Green RR</p> <p>Part No.: GD10057-14 Description: Hose Identification Sleeve, Yellow PP</p> <p>Part No.: GD10057-15 Description: Hose Identification Sleeve, Yellow RR</p> <p>Part No.: GD10057-17 Description: Hose Identification Sleeve, Black PP</p> <p>Part No.: GD10057-18 Description: Hose Identification Sleeve, Black RR</p> <p>Part No.: GD10057-19 Description: Hose Identification Sleeve, Orange CD</p>
	<p>Part No.: G7100-295 Description: Decal, Spring Tension Release Quantity: -</p>
	<p>Part No.: G7100-511 Description: Decal, Sending Unit Quantity: 1</p>
	<p>Part No.: G7100-387 Description: Decal, Warning Quantity: 1</p>

 <table border="1" data-bbox="316 283 566 483"> <thead> <tr> <th>DRIVE</th> <th>DRIVEN</th> <th>% REDUCTION IN POPULATION</th> </tr> </thead> <tbody> <tr> <td>15</td> <td>30</td> <td>50</td> </tr> <tr> <td>17</td> <td>30</td> <td>43</td> </tr> <tr> <td>23*</td> <td>30</td> <td>23</td> </tr> <tr> <td>24</td> <td>30</td> <td>20</td> </tr> <tr> <td>25*</td> <td>30</td> <td>17</td> </tr> <tr> <td>26*</td> <td>30</td> <td>13</td> </tr> <tr> <td>27</td> <td>30</td> <td>10</td> </tr> </tbody> </table> <p>* Use sprockets off seed drive transmission 7100-214</p>	DRIVE	DRIVEN	% REDUCTION IN POPULATION	15	30	50	17	30	43	23*	30	23	24	30	20	25*	30	17	26*	30	13	27	30	10	<p>Part No.: G7100-214 Description: Decal, Two-Speed Point Row Clutch Rate Reduction</p>
DRIVE	DRIVEN	% REDUCTION IN POPULATION																							
15	30	50																							
17	30	43																							
23*	30	23																							
24	30	20																							
25*	30	17																							
26*	30	13																							
27	30	10																							
 <p>7100-509</p>	<p>Part No.: G7100-509 Description: Decal, Vacuum</p>																								
 <p>7100-508</p>	<p>Part No.: G7100-508 Description: Decal, Bulk Fill</p>																								
 <p>7100-504</p>	<p>Part No.: G7100-504 Description: Decal, Point Row Clutch Rotation</p>																								
 <p>7100-234</p>	<p>Part No.: G7100-234 Description: Decal, Bolt Torque Quantity: -</p>																								
 <p>7100-92</p>	<p>Part No.: G7100-92 Description: Decal, Right Side Transmission Quantity: 1</p>																								
 <p>7100-49</p>	<p>Part No.: G7100-49 Description: Decal, Left Side Transmission Quantity: 1</p>																								
 <p>7100-153</p>	<p>Part No.: G7100-153 Description: Decal, Information Quantity: 1 Per Brush-Type Seed Meter</p>																								
 <p>7100-201</p>	<p>Part No.: G7100-201 Description: Decal, Information</p>																								

 <p><b>NOTICE</b> -FAN MOTOR CASE DRAIN- ALWAYS CONNECT THE FAN MOTOR CASE DRAIN HOSE TO THE TRACTOR ZERO PRESSURE RETURN. DO NOT CONNECT TO THE TRACTOR SCV OR MOTOR RETURN PORTS AS FAN HYDRAULIC MOTOR FAILURE WILL OCCUR.</p> <p><small>7100-329</small></p>	<p>Part No.: G7100-329 Description: Tag, Fan Motor Case Drain</p>
 <p><b>NOTICE</b> -HYD MOTOR RETURN LINE- ALWAYS CONNECT HYD MOTOR RETURN HOSE TO TRACTOR MOTOR RETURN PORT. DO NOT CONNECT TO THE TRACTOR SCV UNLESS THROUGH A MOTOR SPOOL. HYDRAULIC MOTOR FAILURE CAN OCCUR.</p> <p><small>7100-375</small></p>	<p>Part No.: G7100-375 Description: Tag, Hydraulic Motor Return Line</p>
<p>DRAIN MOISTURE FROM AIR TANK DAILY. DRAIN TANK COMPLETELY FOR STORAGE.</p> <p><small>7100-352</small></p>	<p>Part No.: G7100-352 Description: Decal, Tank Drain</p>
 <p><b>DAILY</b></p> <p><small>7100-111</small></p>	<p>Part No.: G7100-111 Description: Decal, Oil Daily</p>
 <p><b>DAILY</b></p> <p><small>7100-116</small></p>	<p>Part No.: G7100-116 Description: Decal, Grease Daily</p>
 <p><b>Weekly</b></p>	<p>Part No.: G7100-110 Description: Decal, Grease Weekly</p>
	<p>Part No.: GR2127MPP Description: Blue Paint, Twelve Aerosol Cans</p>
	<p>Part No.: GR0146MPP Description: Powdered Graphite, Twenty-Four 1 Pound Containers</p> <p>Part No.: GR2335 Description: Powdered Graphite, 40 Pound Container</p>
	<p>Part No.: GR1570MPP Description: Talc Lubricant, Four 8 Pound Containers</p> <p>Part No.: GR2334 Description: Talc Lubricant, 40 Pound Container</p>

	<p>Part No.: GR1842MPP Description: Graphite Lubricant, Four 5 Pound Containers</p>
<p>Not Available</p>	<p>Part No.: GR2217 Description: Fluency Agent Seed Flow Additive, Four 4.4 Pound Pails</p>
	<p>Part No.: GR2240MPP Description: Talc/Graphite Blend (80 Talc/20 Graphite), Four 8 Pound Containers</p>
	<p>Part No.: GR2241MPP Description: Dispensing Cap, 10/Package</p>
	<p>Part No.: G10068001 Description: Decal, Kinze 3605 (2021 - 2023 Production) Quantity: 2 (1 On Each Side of Hitch)</p>
	<p>Part No.: G10769201 Description: Decal, Kinze 3605 (2024 Production and On) Quantity: 2 (1 On Each Side of Hitch)</p>
	<p>Part No.: GM0303-01 Description: Operator Manual, Model 3605</p> <p>Part No.: GM0303-02 Description: Parts Manual, Model 3605</p> <p>Part No.: GPR1094 Description: Binder (Contact Kinze Parts To Order)</p>

	<p>Part No.: GA15422                  Description: Operator's Manual Canister                  Quantity: 1</p>
	<p>Part No.: GD22686                  Description: Manual Canister Bracket                  Quantity: 1</p>
	<p>Part No.: GD16642                  Description: U-Bolt, 3" x 4" x 1/2"-13                  Quantity: 1</p>
	<p>Part No.: G10071                  Description: Serrated Flange Nut, 1/2"-13                  Quantity: 2</p>
	<p>Part No.: G11166                  Description: Hex Socket Flange Cap Screw, 1/4"-20 x 3/4"                  Quantity: 3</p>
	<p>Part No.: G11320                  Description: Lock Nut, 1/4"-20, Grade B                  Quantity: 3</p>
	<p>Part No.: G7100-484                  Description: Decal, American Flag</p>

Part No.	Page	Part No.	Page	Part No.	Page	Part No.	Page
**R2367	P194	*A12080	P60	*A13805	P83	*A18693-268	P78
*A1018	P156	*A12080	P80	*A13805	P84	*A18693-268	P80
*A1021	P78	*A12080	P162	*A13807	P83	*A18693-268	P152
*A1021	P80	*A12080	P164	*A13807	P84	*A18693-268	P158
*A1021	P158	*A12085	P78	*A13808	P83	*A18695-334	P162
*A1033	P156	*A12085	P80	*A13808	P84	*A18695-400	P164
*A1034	P156	*A12085	P158	*A13809	P84	*A18699-66	P103
*A1041	P152	*A12090	P154	*A13810	P84	*A21530-160	P162
*A1055	P154	*A12090	P156	*A13817	P84	*A21530-160	P164
*A1055	P156	*A12091	P68	*A13824	P83	*A21533-30	P80
*A1057	P156	*A12092	P68	*A13824	P84	*A21533-36	P104
*A1076	P154	*A12094	P68	*A13826	P84	*A21535-83	P80
*A1076	P156	*A12094	P78	*A1404	P154	*A21541-28	P68
*A10918	P164	*A12094	P78	*A1404	P156	*A21548-206	P68
*A1097	P156	*A12094	P80	*A1408	P162	*A21548-206	P78
*A1105	P104	*A12094	P104	*A1408	P164	*A21548-206	P80
*A1116	P152	*A12094	P160	*A1424	P154	*A21548-206	P158
*A1129	P152	*A12095	P80	*A1424	P156	*A21548-266	P68
*A1139	P152	*A12096	P78	*A1464	P78	*A21548-266	P78
*A11442	P68	*A12096	P80	*A1464	P78	*A21548-266	P80
*A11442	P78	*A12096	P104	*A1464	P80	*A21548-266	P158
*A11442	P80	*A12096	P160	*A1464	P104	*A21550-334	P162
*A11442	P152	*A12745	P68	*A1464	P152	*A21550-400	P164
*A11442	P158	*A12751	P68	*A1464	P158	*A21554-144	P103
*A11443	P68	*A12751	P78	*A1464	P162	*A21554-144	P160
*A11443	P78	*A12751	P80	*A1464	P164	*A21554-84	P103
*A11443	P78	*A12751	P152	*A1478	P152	*A21554-84	P160
*A11443	P80	*A12751	P158	*A15023	P78	*A21555-19	P80
*A11443	P152	*A12752	P78	*A15023	P80	*A24016	P174
*A11443	P158	*A12752	P80	*A15081-36	P58	*A24016	P176
*A11444	P80	*A12752	P158	*A15081-36	P60	*A24473	P165
*A11447	P78	*A12753	P80	*A15081-36	P162	*A24473	P172
*A11448	P152	*A12754	P152	*A15081-36	P164	*A25400-246	P154
*A11449	P152	*A12755	P78	*A15092-146	P103	*A25400-296	P154
*A11450	P152	*A12756	P152	*A15092-146	P160	*A25503	P162
*A11458	P78	*A12757	P104	*A15092-86	P103	*A25503	P164
*A11458	P80	*A12758	P104	*A15092-86	P160	*A25504-30	P162
*A1171	P152	*A12774	P78	*A18667-160	P162	*A25504-30	P164
*A11810-64	P103	*A12774	P80	*A18667-160	P164	*A25690-48	P58
*A11810-72	P72	*A12928	P104	*A18671-30	P162	*A25690-48	P60
*A12002	P68	*A12929	P104	*A18671-30	P164	*A25690-48	P162
*A12002	P80	*A12937-24	P74	*A18671-30	P194	*A25690-48	P164
*A12038	P58	*A13800	P84	*A18679-83	P80	*A25706-142	P103
*A12038	P60	*A13801	P83	*A18683-37	P162	*A25706-142	P160
*A12038	P162	*A13801	P83	*A18683-37	P164	*A25706-82	P103
*A12038	P164	*A13801	P84	*A18688-38	P80	*A25706-82	P160
*A12041	P156	*A13802	P83	*A18693-206	P68	*A25707-72	P72
*A12042	P154	*A13802	P84	*A18693-206	P78	*A25857	P162
*A12076	P78	*A13803	P83	*A18693-206	P80	*A25857	P164
*A12076	P80	*A13803	P84	*A18693-206	P158	*A26936-209	P152
*A12076	P158	*A13804	P83	*A18693-209	P152	*A26936-269	P152
*A12080	P58	*A13804	P84	*A18693-268	P68	*A26938-206	P78

# Numerical Index

M0303-02

Model 3605

Part No.	Page	Part No.	Page	Part No.	Page	Part No.	Page
*A26938-206	P80	*A7682-35	P60	*D12252	P168	A14310	P105
*A26938-266	P78	*A7682-35	P162	*D12253	P176	A14480	P174
*A26938-266	P80	*A7682-35	P164	*D12254	P170	A14631	P165
*A3117	P78	*A8266	P152	*D12255	P167	A1464	P68
*A3117	P80	*A8267	P154	*D12255	P170	A14935	P118
*A3117	P154	*A8267	P156	*D12257	P168	A14936	P118
*A3117	P158	*A8273	P80	*D12257	P170	A14937	P118
*A3118	P152	*D12012	P165	*D29649	P167	A14938	P118
*A3122	P156	*D12040	P166	*D29649	P168	A17087	P109
*A3131	P154	*D12047	P174	*D29649	P170	A3158	P156
*A3131	P156	*D12047	P176	*D30262	P165	A7088	P105
*A3158	P78	*D12072	P166	*D30399	P172	A7220	P166
*A3158	P80	*D12092	P167	*D36495-36	P69	A8822	P172
*A3158	P154	*D12093	P167	*D36495-36	P70	D13169	P173
*A3158	P158	*D12108	P168	*D36495-40	P69	D13426	P173
*A3371	P104	*D12108	P170	*D36495-40	P70	Decal, Warning	P262
*A6201	P104	*D12110	P168	*D36495-42	P69	G10001	P16
*A7607	P104	*D12110	P170	*D36495-42	P70	G10001	P47
*A7677-20	P162	*D12200	P176	*D36495-46	P69	G10001	P72
*A7677-20	P164	*D12202	P174	*D36495-46	P70	G10001	P74
*A7678-13	P162	*D12202	P176	*D36495-50	P69	G10001	P76
*A7678-13	P164	*D12203	P174	*D36495-50	P70	G10001	P90
*A7678-19	P58	*D12203	P176	*D36495-55	P69	G10001	P98
*A7678-19	P60	*D12204	P176	*D36495-55	P70	G10001	P100
*A7678-19	P162	*D12206	P166	*D36495-70	P69	G10001	P100
*A7678-19	P164	*D12206	P168	*D36495-70	P70	G10001	P102
*A7678-20	P58	*D12210	P165	*D6279-07	P74	G10001	P102
*A7678-20	P60	*D12210	P172	*GD35274-01	P90	G10001	P102
*A7678-20	P164	*D12210	P174	*R2281	P177	G10001	P102
*A7680-11	P58	*D12212	P165	*R2283	P177	G10001	P102
*A7680-11	P162	*D12212	P172	*R2300	P177	G10001	P102
*A7680-14	P162	*D12213	P165	*R2301	P177	G10001	P104
*A7680-14	P164	*D12213	P172	*R2302	P177	G10001	P116
*A7680-20	P162	*D12218	P170	*R2303	P177	G10001	P118
*A7680-35	P58	*D12221	P166	*R2304	P177	G10001	P180
*A7680-35	P60	*D12222	P166	*R2305	P177	G10001	P227
*A7680-35	P162	*D12223	P166	*R2307	P177	G10002	P12
*A7680-35	P164	*D12224	P166	*R2308	P177	G10002	P33
*A7680-42	P60	*D12226	P174	*R2309	P177	G10002	P92
*A7680-9	P60	*D12227	P168	†R2365	P194	G10002	P116
*A7680-9	P164	*D12227	P170	†R2366	P194	G10002	P182
*A7681-28	P58	*D12228	P168	‡D6279-03	P194	G10002	P186
*A7681-28	P60	*D12228	P170	700-01078	P26	G10002	P194
*A7681-28	P162	*D12240	P167	700-01339	P28	G10002	P230
*A7681-28	P164	*D12240	P170	A12529	P105	G10002701	P94
*A7681-35	P162	*D12246	P167	A13937	P176	G10003	P4
*A7681-35	P164	*D12247	P167	A13953	P176	G10003	P46
*A7682-11	P58	*D12248	P167	A14136	P92	G10003	P126
*A7682-11	P60	*D12251	P165	A14275	P170	G10003	P246
*A7682-11	P162	*D12251	P172	A14278	P167	G10003	P252
*A7682-11	P164	*D12251	P174	A14307	P109	G10003	P260
*A7682-35	P58	*D12252	P166	A14309	P109	G10004	P8

Part No.	Page	Part No.	Page	Part No.	Page	Part No.	Page
G10004	P38	G10013	P246	G10025	P76	G10049	P56
G10004	P40	G10013101	P125	G10025	P76	G10049	P102
G10004	P54	G10014	P4	G10026	P106	G10049	P122
G10004	P62	G10014	P14	G10026	P114	G10049	P228
G10004	P66	G10014	P98	G10026	P130	G10049	P234
G10004	P74	G10014	P106	G10026	P246	G10049501	P72
G10004	P82	G10014	P109	G10027	P90	G10049501	P210
G10004	P90	G10016	P53	G10027	P122	G10049501	P225
G10004	P96	G10016	P106	G10028	P106	G10057501	P90
G10004	P102	G10016	P106	G10028	P124	G10060	P62
G10004	P112	G10016	P228	G10028601	P14	G10060	P122
G10004	P112	G10017	P42	G10028701	P14	G10061	P4
G10004	P122	G10017	P52	G10028801	P14	G10061	P20
G10004	P133	G10017	P109	G10033	P118	G10064	P16
G10004	P136	G10017	P116	G10033	P146	G10064	P98
G10004	P146	G10017	P116	G10034	P108	G10064	P100
G10004	P146	G10017	P118	G10036	P35	G10064	P118
G10004	P228	G10017	P132	G10036	P116	G10064	P127
G10004	P240	G10017	P133	G10036	P132	G10064	P132
G10004	P242	G10017	P148	G10036	P146	G10064	P133
G10004	P242	G10017	P230	G10037	P6	G10064	P258
G10004	P243	G10017	P234	G10037	P42	G10064	P17
G10004	P258	G10017	P236	G10037	P52	G10064	P17
G10005	P12	G10017	P246	G10037	P58	G10068	P122
G10005	P108	G10017201	P88	G10037	P60	G10068001	P273
G10005	P245	G10017301	P88	G10037	P114	G10071	P4
G10006	P106	G10018	P58	G10037	P233	G10071	P6
G10006	P146	G10018	P60	G10038	P138	G10071	P42
G10007	P107	G10018801	P12	G10038601	P4	G10071	P58
G10007	P108	G10019	P62	G10038601	P50	G10071	P60
G10007	P227	G10019	P144	G10039	P6	G10071	P62
G10007	P240	G10019	P144	G10039	P146	G10071	P72
G10007	P246	G10019	P150	G10039	P228	G10071	P86
G10007	P258	G10019	P206	G10039	P260	G10071	P98
G10007	P260	G10019	P246	G10041	P40	G10071	P102
G10007	P260	G10020	P26	G10041	P199	G10071	P106
G10008	P86	G10020501	P127	G10044	P114	G10071	P106
G10010	P14	G10021	P26	G10045	P146	G10071	P110
G10010	P38	G10021	P58	G10045	P150	G10071	P122
G10010	P40	G10021	P60	G10046	P230	G10071	P124
G10010	P232	G10021	P116	G10047	P4	G10071	P124
G10011	P147	G10021	P144	G10047	P100	G10071	P130
G10011	P230	G10022	P26	G10047	P107	G10071	P148
G10011101	P8	G10023	P33	G10047	P110	G10071	P148
G10011201	P8	G10023	P72	G10047	P136	G10071	P186
G10011301	P46	G10023	P74	G10047	P222	G10071	P274
G10011401	P46	G10023	P94	G10047	P230	G10083301	P62
G10012	P246	G10023	P104	G10047	P233	G10087001	P74
G10012101	P125	G10023	P140	G10047	P234	G10090401	P12
G10012201	P125	G10023	P144	G10048	P10	G10090801	P110
G10012301	P125	G10025	P62	G10048	P56	G10090901	P109
G10013	P16	G10025	P62	G10048201	P104	G10091001	P109



# Numerical Index

M0303-02

Model 3605

Part No.	Page	Part No.	Page	Part No.	Page	Part No.	Page
G10091101	P110	G10103	P140	G10107	P112	G10108	P170
G10091201	P110	G10103	P144	G10107	P114	G10108	P180
G10091301	P109	G10104	P8	G10107	P122	G10108	P211
G10091901	P122	G10104	P46	G10107	P132	G10108	P222
G10091901	P124	G10104	P47	G10107	P133	G10108	P227
G10096	P240	G10104	P47	G10107	P138	G10108	P228
G10096001	P126	G10104	P54	G10107	P146	G10108	P230
G10096201	P126	G10104	P86	G10107	P146	G10108	P230
G10098201	P74	G10104	P102	G10107	P146	G10108	P234
G10098301	P72	G10104	P106	G10107	P148	G10108	P242
G10098401	P72	G10104	P114	G10107	P222	G10108	P252
G10100	P228	G10104	P118	G10107	P222	G10108	P258
G10100901	P62	G10104	P118	G10107	P230	G10109	P16
G10101	P16	G10104	P132	G10107	P245	G10109	P38
G10101	P54	G10104	P222	G10107	P246	G10109	P40
G10101	P56	G10104	P223	G10107501	P126	G10109	P53
G10101	P110	G10104	P228	G10108	P4	G10109	P150
G10101	P116	G10104	P230	G10108	P4	G10109	P199
G10101	P118	G10104	P230	G10108	P20	G10110	P17
G10101	P122	G10104	P230	G10108	P21	G10110	P32
G10101	P124	G10104	P234	G10108	P22	G10110	P72
G10101	P136	G10104	P236	G10108	P32	G10110	P98
G10101	P140	G10104	P240	G10108	P46	G10110	P100
G10101	P178	G10104	P240	G10108	P47	G10110	P104
G10101	P204	G10104	P242	G10108	P56	G10110	P116
G10101	P228	G10104	P242	G10108	P62	G10110	P118
G10101	P246	G10104	P245	G10108	P62	G10110	P150
G10101	P252	G10104	P246	G10108	P62	G10110	P194
G10101	P258	G10104	P246	G10108	P66	G10110	P222
G10101	P258	G10104	P248	G10108	P72	G10110	P223
G10102	P52	G10104	P250	G10108	P74	G10110	P258
G10102	P53	G10105	P106	G10108	P82	G10111	P6
G10102	P72	G10105	P114	G10108	P88	G10111	P16
G10102	P102	G10105	P124	G10108	P90	G10111	P35
G10102	P104	G10105	P227	G10108	P90	G10111	P106
G10102	P114	G10105	P240	G10108	P90	G10111	P106
G10102	P116	G10105	P246	G10108	P94	G10111	P110
G10102	P116	G10105	P258	G10108	P100	G10111	P112
G10102	P144	G10105	P260	G10108	P102	G10111	P118
G10102	P146	G10106	P116	G10108	P104	G10111	P118
G10102	P146	G10106	P133	G10108	P106	G10111	P122
G10102	P150	G10106	P144	G10108	P106	G10111	P125
G10102	P150	G10106	P144	G10108	P106	G10111	P132
G10102	P178	G10106	P236	G10108	P107	G10111	P135
G10102	P230	G10106	P236	G10108	P109	G10111	P138
G10102	P234	G10106	P236	G10108	P110	G10111	P138
G10102	P236	G10106	P236	G10108	P112	G10111	P146
G10102	P246	G10106	P236	G10108	P122	G10111	P146
G10102	P258	G10107	P16	G10108	P125	G10111	P148
G10103	P110	G10107	P35	G10108	P132	G10111	P194
G10103	P116	G10107	P106	G10108	P146	G10111	P228
G10103	P140	G10107	P107	G10108	P146	G10111	P228

Part No.	Page	Part No.	Page	Part No.	Page	Part No.	Page
G10111	P228	G10172	P112	G10228	P72	G10230	P223
G10111	P230	G10172	P178	G10228	P102	G10230	P228
G10111	P230	G10172	P180	G10228	P104	G10230	P228
G10111	P233	G10172	P258	G10228	P106	G10230	P230
G10111	P234	G10180301	P100	G10228	P114	G10230	P230
G10111	P260	G10188701	P62	G10228	P116	G10230	P230
G10112	P106	G10188801	P62	G10228	P144	G10230	P234
G10112	P114	G10190401	P62	G10228	P146	G10230	P236
G10117601	P62	G10192101	P210	G10228	P146	G10230	P240
G10117701	P62	G10194501	P74	G10228	P150	G10230	P240
G10117801	P63	G10201	P21	G10228	P150	G10230	P242
G10118	P108	G10201	P22	G10228	P150	G10230	P242
G10122301	P4	G10201	P32	G10228	P178	G10230	P245
G10122301	P50	G10201	P56	G10228	P234	G10230	P246
G10124501	P110	G10201	P90	G10228	P236	G10230	P246
G10126101	P90	G10201	P236	G10228	P246	G10230	P248
G10128	P116	G10201	P236	G10228	P258	G10230	P250
G10128	P133	G10203601	P126	G10229	P16	G10230	P258
G10129501	P90	G10207	P4	G10229	P33	G10230	P260
G10130	P136	G10207	P50	G10229	P38	G10230	P260
G10131	P109	G10207201	P74	G10229	P40	G10231	P130
G10131	P135	G10209	P74	G10229	P54	G10231	P240
G10132501	P90	G10209	P125	G10229	P118	G10231	P246
G10133	P16	G10209	P127	G10229	P136	G10231	P246
G10133	P38	G10210	P107	G10229	P136	G10232	P116
G10133	P116	G10211501	P74	G10229	P140	G10232	P133
G10133	P182	G10216	P14	G10229	P176	G10232	P144
G10133	P207	G10216901	P72	G10229	P178	G10232	P144
G10133	P236	G10217	P222	G10229	P180	G10232	P182
G10142601	P222	G10217	P230	G10229	P186	G10232	P182
G10156	P76	G10217801	P160	G10229	P204	G10232	P187
G10157	P105	G10220	P227	G10229	P228	G10232	P230
G10157	P107	G10223501	P62	G10229	P228	G10232	P236
G10157	P108	G10223701	P62	G10229	P233	G10232	P236
G10159	P113	G10224001	P62	G10229	P234	G10232	P236
G10159	P114	G10224201	P62	G10229	P246	G10232	P236
G10159	P114	G10225101	P63	G10229	P252	G10232	P236
G10159	P114	G10225X	P103	G10229	P258	G10232	P246
G10159	P118	G10227	P104	G10229	P258	G10233	P53
G10159	P146	G10227	P140	G10229401	P211	G10233	P116
G10159	P147	G10227	P140	G10230	P8	G10233	P132
G10162	P76	G10227	P140	G10230	P14	G10233	P133
G10168	P138	G10227	P144	G10230	P16	G10233	P136
G10168	P146	G10227	P234	G10230	P46	G10233	P232
G10168	P150	G10228	P6	G10230	P47	G10233	P234
G10168	P150	G10228	P14	G10230	P47	G10233	P237
G10169	P105	G10228	P42	G10230	P54	G10234	P114
G10169	P108	G10228	P52	G10230	P102	G10235	P74
G10171	P90	G10228	P52	G10230	P106	G10235	P133
G10171	P236	G10228	P53	G10230	P108	G10235	P136
G10171	P236	G10228	P58	G10230	P118	G10235	P154
G10171	P236	G10228	P60	G10230	P118	G10235	P156

# Numerical Index

M0303-02

Model 3605

Part No.	Page	Part No.	Page	Part No.	Page	Part No.	Page
G10237	P228	G10325	P12	G10403	P104	G10475701	P4
G10242601	P94	G10325	P32	G10403	P147	G10476201	P28
G10242801	P94	G10325	P62	G10403	P147	G10478101	P28
G10243	P82	G10325	P90	G10403501	P126	G10483101	P30
G10244501	P62	G10325	P94	G10403801	P126	G10483101	P30
G10246001	P88	G10325	P102	G10404901	P126	G10483201	P30
G10246301	P88	G10326	P21	G10412	P54	G10483401	P30
G10251	P94	G10328	P88	G10419	P234	G10485	P240
G10253	P140	G10328	P176	G10427101	P40	G10485	P242
G10254701	P213	G10328201	P90	G10428901	P210	G10488901	P94
G10254801	P213	G10329	P122	G10429101	P26	G10495102	P88
G10254901	P213	G10329801	P20	G10429301	P26	G10495103	P88
G10257	P94	G10330	P124	G10430	P133	G10496	P54
G10257	P140	G10330	P125	G10436	P110	G10496	P136
G10265001	P92	G10330	P125	G10438	P4	G10496	P140
G10265001	P94	G10330	P127	G10439	P118	G10496	P234
G10266501	P28	G10331001	P74	G10441	P124	G10497	P140
G10266901	P94	G10334701	P14	G10441	P125	G10500	P26
G10267101	P94	G10334801	P14	G10448	P125	G10500901	P4
G10278	P248	G10334901	P14	G10448	P127	G10500901	P50
G10278	P250	G10335001	P14	G10450	P230	G10501	P116
G10284	P46	G10335101	P14	G10451	P42	G10501	P133
G10287	P242	G10335201	P14	G10451	P46	G10501	P133
G10292	P248	G10336	P114	G10453	P133	G10502X	P1
G10301201	P88	G10338	P10	G10455	P135	G10503	P38
G10301301	P88	G10338	P20	G10455	P233	G10503	P40
G10302501	P90	G10338	P56	G10457	P106	G10503	P138
G10303	P53	G10338	P96	G10459	P228	G10504X	P43
G10303	P133	G10338	P98	G10460	P109	G10507	P228
G10303	P136	G10338	P100	G10460	P113	G10527	P114
G10303	P236	G10341	P47	G10460	P114	G10527	P135
G10303	P236	G10341001	P66	G10460	P114	G10535	P54
G10306	P90	G10341401	P66	G10460	P114	G10536	P147
G10306	P230	G10341601	P66	G10460	P114	G10543	P114
G10306	P252	G10345	P132	G10460	P118	G10544	P150
G10307901	P62	G10345	P146	G10460	P122	G10546	P20
G10308	P16	G10349101	P62	G10460	P130	G10546	P34
G10309	P20	G10350	P254	G10460	P146	G10546	P140
G10309	P46	G10357401	P225	G10460	P146	G10551	P4
G10309	P110	G10374	P140	G10460	P147	G10551	P50
G10310	P10	G10395301	P74	G10460	P236	G10564	P42
G10310	P32	G10395401	P74	G10460	P237	G10567	P20
G10310	P56	G10395501	P74	G10460	P245	G10567	P34
G10312	P4	G10396	P258	G10460	P258	G10567	P58
G10312	P17	G10396	P260	G10460	P260	G10567	P60
G10312	P32	G10396901	P72	G10462	P76	G10567801	P72
G10315	P32	G10397801	P12	G10462	P76	G10568101	P195
G10318301	P127	G10397801	P14	G10463	P46	G10570	P34
G10322	P228	G10397801	P232	G10468	P109	G10581	P138
G10322501	P14	G10401	P26	G10470	P26	G10583	P135
G10323	P26	G10402701	P4	G10475	P28	G10583	P182
G10324	P165	G10402701	P50	G10475	P30	G10585	P110

Part No.	Page	Part No.	Page	Part No.	Page	Part No.	Page
G10587	P236	G10621	P26	G10647	P110	G10732	P8
G10588	P236	G10621	P32	G10649801	P72	G10732	P46
G10592	P228	G10621	P33	G10649801	P210	G10734	P250
G10594	P228	G10621	P46	G10649801	P225	G10737701	P210
G10595	P109	G10621	P56	G10652801	P40	G10737701	P225
G10595	P132	G10621	P58	G10652901	P40	G10743	P138
G10599	P16	G10621	P60	G10655	P236	G10743	P148
G10599	P66	G10621	P76	G10660	P34	G10745401	P4
G10599	P90	G10621	P82	G10664901	P30	G10745401	P204
G10599	P106	G10621	P92	G10665001	P30	G10751	P8
G10599	P228	G10621	P94	G10665101	P30	G10751	P8
G10602	P20	G10621	P125	G10670	P32	G10751	P46
G10602	P26	G10621	P125	G10670	P33	G10752	P8
G10602	P34	G10621	P126	G10670	P236	G10752	P20
G10602	P132	G10621	P127	G10671	P107	G10752	P54
G10602	P135	G10621	P132	G10672	P236	G10753	P56
G10602	P138	G10621	P133	G10672	P258	G10753	P62
G10602	P233	G10622	P12	G10672	P260	G10755	P62
G10602	P237	G10623	P240	G10674	P240	G10756	P258
G10603	P26	G10623	P242	G10674	P240	G10756	P260
G10604	P26	G10626	P240	G10674	P240	G10757	P32
G10606	P114	G10626	P240	G10674	P240	G10758	P32
G10610	P106	G10626	P242	G10674	P240	G10758	P94
G10614301	P30	G10626	P248	G10674	P243	G10765	P38
G10615	P248	G10626	P258	G10674	P248	G10765	P40
G10615701	P246	G10626	P260	G10676	P62	G10765	P106
G10616	P240	G10627	P243	G10676	P236	G10770	P173
G10616	P243	G10628	P243	G10676	P240	G10770	P173
G10619	P240	G10629	P243	G10676	P242	G10779	P122
G10619	P242	G10630	P240	G10676	P242	G10779	P165
G10619	P248	G10630	P242	G10681	P82	G10806	P122
G10620	P4	G10630101	P242	G10681	P190	G10806	P124
G10620	P10	G10633	P240	G10681	P194	G10808	P110
G10620	P20	G10636	P35	G10681	P248	G10809	P62
G10620	P32	G10636	P122	G10681	P250	G10809	P62
G10620	P56	G10636	P122	G10686	P242	G10809	P106
G10620	P62	G10636	P124	G10687	P22	G10810301	P220
G10620	P62	G10636	P130	G10688	P54	G10821	P135
G10620	P62	G10640	P114	G10688	P135	G10821	P233
G10620	P76	G10640	P124	G10689	P112	G10825001	P124
G10620	P96	G10640	P124	G10690	P26	G10826	P258
G10620	P98	G10640	P147	G10693	P252	G10826	P260
G10620	P100	G10640	P147	G10694601	P105	G10828	P114
G10620	P122	G10640	P147	G10716	P114	G10830	P245
G10620	P136	G10640	P228	G10716	P122	G10842301	P202
G10620	P206	G10640	P230	G10718	P46	G10842401	P202
G10620	P207	G10640	P234	G10721201	P124	G10842501	P202
G10620	P232	G10640	P236	G10722	P150	G10844	P146
G10620	P17	G10641	P109	G10724901	P72	G10844	P150
G10621	P10	G10641	P227	G10724901	P210	G10851101	P114
G10621	P20	G10641	P246	G10724901	P225	G10857	P92
G10621	P26	G10643	P146	G10725	P150	G10857	P125

# Numerical Index

M0303-02

Model 3605

Part No.	Page	Part No.	Page	Part No.	Page	Part No.	Page
G10857	P222	G10950801	P88	G11018	P52	G11100	P136
G10857	P223	G10950901	P88	G11042	P246	G11100	P234
G10859	P140	G10955	P125	G11042X	P30	G11105X	P30
G10860	P132	G10955	P125	G11047X	P30	G11106	P220
G10860	P135	G10955	P127	G11048X	P30	G11106X	P30
G10860	P138	G10958	P174	G11053	P122	G11107X	P30
G10862	P228	G10961	P76	G11065	P94	G11122	P246
G10864	P32	G10961	P90	G11065	P183	G11123	P82
G10870	P132	G10961	P232	G11066	P143	G11124	P81
G10870	P135	G10966	P32	G11066	P143	G11124	P204
G10870	P138	G10968	P54	G11066	P182	G11135	P194
G10871	P178	G10972	P166	G11067	P182	G11146	P62
G10871	P230	G10972	P176	G11068	P183	G11152X	P30
G10871601	P14	G10974	P38	G11073	P34	G11153X	P30
G10871701	P14	G10974	P40	G11075	P136	G11154X	P30
G10871801	P14	G10977	P182	G11075	P234	G11158	P72
G10874	P118	G10978501	P220	G11078	P136	G11158	P104
G10880	P74	G10983101	P30	G11078	P234	G11166	P63
G10887	P240	G10983201	P30	G11081	P130	G11166	P274
G10887	P242	G10983301	P30	G11083	P248	G11170	P112
G10887	P248	G10984X	P1	G11083	P250	G11172	P30
G10888	P240	G10985X	P43	G11091	P8	G11182	P66
G10888	P243	G10988	P82	G11091	P10	G11182	P90
G10889	P240	G10990	P176	G11091	P56	G11188	P62
G10889	P242	G10991	P230	G11091	P62	G11188	P63
G10900	P140	G10991	P252	G11091	P86	G11202	P211
G10901	P63	G10992	P143	G11091	P86	G11209	P32
G10901	P66	G10992	P143	G11091	P90	G11215	P66
G10901	P240	G10995	P248	G11091	P98	G11215	P82
G10901	P242	G10995	P250	G11091	P98	G11216	P92
G10901301	P35	G10996	P140	G11091	P100	G11220	P6
G10907	P168	G10996	P192	G11091	P100	G11223	P108
G10907	P168	G10996	P192	G11091	P102	G11228	P38
G10907	P170	G10996	P202	G11091	P102	G11228	P40
G10913	P124	G11009	P26	G11091	P102	G11230	P109
G10917	P248	G11009	P30	G11091	P102	G11232	P133
G10917	P250	G11009	P98	G11091	P102	G11236	P38
G10918	P58	G11009	P100	G11091	P102	G11236	P40
G10918	P60	G11013001	P10	G11091	P102	G11242	P116
G10918	P138	G11013001	P20	G11091	P102	G11249	P90
G10923	P136	G11013001	P56	G11091	P110	G11254	P125
G10931	P94	G11013001	P96	G11091	P112	G11261	P90
G10936101	P30	G11013001	P98	G11091	P112	G11281	P30
G10939	P98	G11013001	P100	G11091	P114	G11284	P92
G10939	P100	G11015	P4	G11091	P126	G11284	P94
G10939	P140	G11015	P50	G11091	P126	G11290	P107
G10939	P170	G11015101	P110	G11091	P182	G11303	P102
G10940	P14	G11044501	P106	G11091	P240	G11305	P250
G10941101	P196	G11044201	P106	G11091	P242	G11306	P243
G10941101	P197	G11043301	P106	G11091	P242	G11308	P242
G10945001	P196	G11044001	P106	G11091	P243	G11309	P187
G10945001	P197	G11044401	P106	G11091	P260	G11314	P130
		G11018	P6				

Part No.	Page	Part No.	Page	Part No.	Page	Part No.	Page
G11319	P147	G11387	P56	G11389	P138	G11396	P258
G11320	P88	G11387	P62	G11389	P148	G11396	P260
G11320	P147	G11387	P62	G11389	P194	G11400	P130
G11320	P147	G11387	P66	G11389	P228	G11400	P147
G11320	P147	G11387	P72	G11389	P230	G11400	P147
G11320	P274	G11387	P74	G11389	P230	G11400	P147
G11328	P88	G11387	P90	G11389	P234	G11401	P94
G11332X	P30	G11387	P90	G11389	P234	G11409	P82
G11337	P76	G11387	P90	G11389	P246	G11409	P126
G11339	P88	G11387	P100	G11389	P260	G11409	P126
G11360	P86	G11387	P102	G11391	P6	G11418	P150
G11367	P86	G11387	P104	G11391	P16	G11419	P16
G11385	P32	G11387	P109	G11391	P42	G11448	P28
G11385	P34	G11387	P110	G11391	P52	G11448	P30
G11385	P42	G11387	P110	G11391	P54	G11453	P136
G11385	P58	G11387	P112	G11391	P86	G11453	P234
G11385	P60	G11387	P125	G11391	P106	G11514	P8
G11385	P76	G11387	P126	G11391	P106	G11514	P8
G11385	P98	G11387	P136	G11391	P107	G11514	P46
G11385	P100	G11387	P140	G11391	P108	G11514	P46
G11385	P104	G11387	P146	G11391	P112	G11518	P82
G11385	P110	G11387	P180	G11391	P114	G11522	P90
G11385	P194	G11387	P194	G11391	P114	G11528	P90
G11385	P202	G11387	P211	G11391	P133	G11556	P30
G11385	P258	G11387	P222	G11391	P138	G11578	P30
G11386	P14	G11387	P228	G11391	P146	G11591	P4
G11386	P14	G11387	P228	G11391	P146	G11591	P50
G11386	P53	G11387	P230	G11391	P147	G11592	P4
G11386	P58	G11387	P233	G11391	P148	G11592	P50
G11386	P60	G11387	P234	G11391	P150	G11618	P30
G11386	P62	G11387	P246	G11391	P227	G11619	P30
G11386	P62	G11387	P252	G11391	P228	G11693	P30
G11386	P62	G11389	P6	G11391	P230	G11704	P66
G11386	P90	G11389	P6	G11391	P232	G11793	P34
G11386	P90	G11389	P38	G11391	P245	G11862	P16
G11386	P144	G11389	P40	G11391	P246	G11874	P107
G11386	P144	G11389	P42	G11391	P246	G11875	P42
G11386	P230	G11389	P46	G11391	P246	G11896	P166
G11386	P236	G11389	P52	G11391	P258	G11931	P220
G11386	P236	G11389	P53	G11391	P260	G11934	P140
G11386	P236	G11389	P58	G11391	P260	G11939	P220
G11386	P236	G11389	P60	G11392	P38	G11960	P211
G11387	P4	G11389	P66	G11392	P40	G11961	P211
G11387	P4	G11389	P106	G11392	P62	G11965	P29
G11387	P16	G11389	P106	G11392	P62	G11976	P8
G11387	P16	G11389	P106	G11392	P90	G11976	P8
G11387	P20	G11389	P109	G11392	P106	G11976	P46
G11387	P21	G11389	P110	G11392	P114	G12103	P212
G11387	P22	G11389	P114	G11392	P124	G12122	P220
G11387	P32	G11389	P118	G11394	P110	G12212-08	P212
G11387	P47	G11389	P125	G11396	P107	G1K248	P66
G11387	P54	G11389	P132	G11396	P130	G1K248	P82

# Numerical Index

M0303-02

Model 3605

Part No.	Page	Part No.	Page	Part No.	Page	Part No.	Page
G1K248	P142	G2700-06-06	P112	G3303-120	P98	G6400-06	P183
G1K248	P201	G2700-06-06	P160	G3303-120	P100	G6400-06	P190
G1K248	P204	G2700-08	P154	G3303-124	P8	G6400-06-08	P110
G1K248	P212	G2700-08	P156	G3303-16	P8	G6400-08	P118
G1K252	P142	G2700-08	P176	G3303-34	P10	G6400-08	P154
G1K252	P202	G2700-10	P68	G3303-41	P56	G6400-08	P156
G1K252	P204	G2700-10	P112	G3303-44	P10	G6400-08	P178
G1K252	P212	G2700-10	P154	G3303-78	P56	G6400-08	P180
G1K268	P142	G2700-10	P156	G3303-88	P10	G6400-08	P182
G1K268	P202	G2700-12	P68	G3303-96	P46	G6400-08	P182
G1K268	P204	G2700-12	P112	G3303-98	P8	G6400-08	P183
G1K274	P192	G2701-08	P146	G3305-03	P258	G6400-08	P186
G1K275	P192	G2701-10	P74	G3310-100	P138	G6400-08	P195
G1K296	P14	G2702-06	P78	G3310-110	P133	G6400-08-04	P146
G1K320	P142	G2702-06	P160	G3310-114	P133	G6400-08-04	P176
G1K320	P202	G2702-10	P68	G3310-118	P133	G6400-08-10	P66
G1K320	P204	G2702-10	P78	G3310-122	P54	G6400-08-12	P194
G1K321	P142	G2702-12	P68	G3310-126	P133	G6400-10	P104
G1K321	P202	G2702-12	P78	G3310-130	P234	G6400-10	P180
G1K321	P204	G2703-08-08-10	P154	G3310-80	P135	G6400-10	P182
G1K322	P204	G2703-08-08-10	P156	G3310-84	P116	G6400-10	P183
G1K331	P54	G304-C-10	P81	G3310-88	P233	G6400-10	P190
G1K345	P16	G304-C-12	P82	G3317-16	P116	G6400-10	
G1K362	P204	G304-C-6	P58	G3324-01	P107	G6400-10-08	P178
G1K362	P212	G304-C-6	P60	G3400-01	P53	G6400-10-08	P180
G1K363	P204	G304-C-6	P81	G3400-01	P116	G6400-10-08	P186
G1K363	P212	G304-C-8	P74	G3400-01	P136	G6400-10-08	P191
G1K378	P234	G304-C-8	P176	G4200-01	P258	G6400-12	P180
G1K379	P234	G304-C-8	P194	G4200-01	P260	G6400-12	P190
G1K380	P136	G306-06	P78	G4200-03	P240	G6400-12-10	P191
G1K381	P136	G306-06	P80	G4200-06	P240	G6400-L-06	P183
G1K426	P189	G306-06	P112	G4200-14	P242	G6400-L-08	P118
G1K534	P47	G306-06	P160	G4201-03	P240	G6400-L-08	P182
G1K535	P47	G306-08	P146	G4202-04	P243	G6403-NWO-08	P182
G1K758	P8	G306-08	P154	G4205-10	P248	G6403-NWO-08	P182
G1K759	P47	G306-08	P156	G4205-10	P250	G6408-04	P165
G2100-03	P53	G306-08	P176	G4206-04	P242	G6408-04	P170
G2100-03	P116	G306-10	P68	G4301-05	P248	G6408-06	P190
G2100-03	P136	G306-10	P74	G4301-05	P250	G6408-06	P191
G2403-06	P160	G306-10	P112	G4301-06	P248	G6408-08	P165
G2403-12	P74	G306-10	P154	G4301-06	P250	G6408-08	P166
G2408-08	P154	G306-10	P156	G4431-01	P102	G6408-08	P167
G2408-08	P156	G306-12	P68	G4602-02	P243	G6408-08	P168
G2500-84	P246	G306-12	P112	G4602-04	P240	G6408-08	P170
G2501-12-16	P104	G3200-63	P246	G6325X	P8	G6408-08	P172
G2501-16-20	P104	G3303-103	P10	G6400-04	P58	G6408-08	P174
G2503-20	P74	G3303-108	P8	G6400-04	P60	G6408-08	P176
G2603-06	P58	G3303-108	P32	G6400-04	P197	G6408-08	P182
G2603-06	P60	G3303-108	P98	G6400-06	P66	G6408-10	P182
G2603-08	P156	G3303-108	P100	G6400-06	P78	G6408-12	P190
G2700-06-06	P78	G3303-114	P8	G6400-06	P80	G6408-H06-0	P183
G2700-06-06	P80	G3303-114	P32	G6400-06	P180	G6408-H06-0	P187

Part No.	Page	Part No.	Page	Part No.	Page	Part No.	Page
G6408-H06-O	P182	G6801-10-12	P104	G7100-386	P262	GA10137	P20
G6408-H06-O	P182	G6801-10-12	P194	G7100-387	P270	GA10151	P10
G6408-H08-O	P187	G6801-10-16	P74	G7100-389	P267	GA10151	P20
G6408-H10-0	P187	G6801-12	P72	G7100-392	P264	GA10151	P56
G6410-16-08	P74	G6801-12	P74	G7100-393	P264	GA10151	P96
G6410-20-16	P74	G6801-12	P76	G7100-397	P262	GA10157	P4
G6500-06	P58	G6801-12	P78	G7100-400	P261	GA10621	P246
G6500-06	P60	G6801-12	P82	G7100-402	P263	GA10622	P245
G6500-06	P68	G6801-12-10	P76	G7100-471	P269	GA10624	P245
G6500-06	P183	G6801-12-10	P80	G7100-484	P274	GA10799	P66
G6500-06	P189	G6801-12-10	P81	G7100-49	P271	GA10799	P82
G6500-08	P58	G6801-12-10	P104	G7100-504	P271	GA10832	P135
G6500-08	P60	G6801-12-10	P187	G7100-508	P271	GA10894	P246
G6500-08	P118	G6801-12-10	P189	G7100-509	P271	GA10907	P246
G6500-08	P182	G6801-12-20	P74	G7100-511	P270	GA10908	P246
G6500-08	P194	G6801-16-20	P104	G7100-557	P265	GA10917	P76
G6500-10	P191	G6801-20	P72	G7100-557	P265	GA10918	P74
G6500-10	P194	G6801-L-08	P182	G7100-557	P266	GA10918	P104
G6500-12	P191	G6801-LL-12	P74	G7100-558	P264	GA10918	P162
G6502-10	P194	G6802-08	P186	G7100-558	P265	GA10924	P202
G6602-06	P58	G6803-04-04-04	P196	G7100-558	P265	GA11079	P108
G6602-06	P60	G6804-04-04-04	P197	G7100-558	P266	GA11331	P53
G6602-06	P80	G6804-08	P74	G7100-558	P267	GA11331	P116
G6801-04-04	P42	G6804-10	P74	G7100-559	P265	GA11528	P72
G6801-04-04	P58	G6804-10	P180	G7100-559	P265	GA11528	P106
G6801-04-04	P60	G6804-12	P104	G7100-559	P266	GA11736	P202
G6801-04-04	P196	G6804-12	P180	G7100-572	P268	GA11934	P190
G6801-04-04	P197	G6804-12-12	P104	G7100-573	P268	GA11971	P46
G6801-06	P78	G6815-06-04	P195	G7100-92	P271	GA11982	P6
G6801-06	P80	G6835-16-16-16	P74	G7633X	P202	GA11982	P52
G6801-06	P81	G7100-110	P272	G7639X	P202	GA11988	P144
G6801-06	P183	G7100-111	P272	G7698X	P118	GA11991	P144
G6801-06	P189	G7100-116	P272	G8647x	P204	GA11992	P144
G6801-06-08	P106	G7100-153	P271	G9881X	P232	GA11995	P144
G6801-06-08	P122	G7100-201	P271	G9897X	P30	GA11997	P144
G6801-06-08	P122	G7100-214	P271	G9903X	P30	GA12108	P230
G6801-08	P78	G7100-234	P271	G9978X	P107	GA12109	P230
G6801-08	P80	G7100-262	P265	GA0237	P227	GA12143	P20
G6801-08	P113	G7100-295	P270	GA0241	P246	GA12163	P108
G6801-08	P146	G7100-329	P272	GA0245	P150	GA12164	P108
G6801-08	P182	G7100-352	P272	GA0251	P246	GA12191	P133
G6801-08	P182	G7100-370	P262	GA0252	P246	GA12192	P133
G6801-08	P183	G7100-375	P68	GA0257	P150	GA12192	P234
G6801-08-10	P182	G7100-375	P272	GA0262	P246	GA12235	P38
G6801-10	P66	G7100-376	P268	GA0378	P133	GA12236	P38
G6801-10	P74	G7100-381	P267	GA0547	P246	GA12335	P252
G6801-10	P76	G7100-382	P263	GA0898	P236	GA12358	P144
G6801-10	P80	G7100-384	P263	GA10036	P232	GA12403	P92
G6801-10	P104	G7100-385	P261	GA10037	P232	GA12403	P94
G6801-10	P189	G7100-385	P262	GA10047	P230	GA12403	P204
G6801-10-08	P187	G7100-385	P263	GA10048	P230	GA12537	P207
G6801-10-12	P78	G7100-385	P268	GA10054	P140	GA12539	P212



# Numerical Index

M0303-02

Model 3605

Part No.	Page	Part No.	Page	Part No.	Page	Part No.	Page
GA12555	P206	GA13667	P63	GA14448	P212	GA16145	P260
GA12555	P210	GA13673	P108	GA14449	P212	GA16157	P240
GA12558	P207	GA13741	P182	GA14450	P210	GA16157	P242
GA12558	P210	GA13764	P146	GA14452	P210	GA16338	P202
GA12559	P207	GA13768	P106	GA14478	P174	GA16339	P202
GA12559	P210	GA13783	P108	GA14481	P119	GA16340	P202
GA12563	P206	GA13790	P133	GA14481	P174	GA16343	P216
GA12565	P116	GA13934	P114	GA14489	P186	GA16350	P216
GA12565	P216	GA13935	P176	GA14514	P112	GA16351	P206
GA12566	P210	GA13938	P109	GA14515	P112	GA16352	P206
GA12567	P210	GA13938	P176	GA14516	P124	GA16352	P210
GA12568	P210	GA13939	P176	GA14517	P125	GA16355	P217
GA12568	P216	GA13944	P142	GA14519	P112	GA16374	P10
GA12569	P116	GA13954	P109	GA14520	P260	GA16374	P56
GA12577	P106	GA13954	P176	GA14521	P124	GA16374	P216
GA12596	P210	GA13986	P105	GA14571	P199	GA16375	P207
GA12598	P210	GA13994	P146	GA14572	P82	GA16375	P210
GA12626	P144	GA14031	P96	GA14574	P81	GA16375	P216
GA12629	P144	GA14040	P90	GA14576	P187	GA16376	P207
GA12655	P206	GA14041	P90	GA14589	P102	GA16376	P210
GA12655	P210	GA14049	P240	GA14593	P83	GA16376	P216
GA12661	P116	GA14050	P242	GA14593	P84	GA16381	P210
GA12675	P46	GA14052	P90	GA14600	P122	GA16381	P216
GA12676	P47	GA14111	P242	GA14822	P88	GA16382	P207
GA12677	P46	GA14112	P240	GA14823	P88	GA16382	P210
GA12812	P66	GA14112	P243	GA14846	P142	GA16382	P216
GA12812	P82	GA14127	P143	GA14847	P66	GA16383	P207
GA12812	P142	GA14129	P92	GA14847	P82	GA16383	P210
GA12812	P210	GA14133	P92	GA14856	P90	GA16383	P216
GA12812	P216	GA14135	P92	GA14858	P90	GA16392	P142
GA12813	P142	GA14135	P94	GA14939	P113	GA16393	P210
GA12853	P212	GA14152	P72	GA14943	P106	GA16393	P216
GA12858	P142	GA14322	P112	GA14981	P124	GA16428	P240
GA12868	P212	GA14323	P112	GA15151	P150	GA16428	P242
GA12868	P220	GA14330	P86	GA15197	P16	GA16826	P207
GA13078	P187	GA14349	P130	GA15288	P216	GA16826	P210
GA13079	P187	GA14359	P118	GA15290	P216	GA16826	P216
GA13114	P146	GA14361	P147	GA15416	P228	GA16829	P216
GA13169	P144	GA14370	P102	GA15416	P230	GA16832	P217
GA13204	P125	GA14371	P102	GA15422	P274	GA16833	P217
GA13340	P148	GA14372	P102	GA15453	P125	GA16834	P217
GA13487	P147	GA14373	P102	GA15499	P68	GA16923	P212
GA13512	P144	GA14383	P76	GA15499	P78	GA17070	P102
GA13521	P211	GA14384	P76	GA15499	P80	GA17078	P102
GA13551	P206	GA14385	P76	GA15499	P158	GA17080	P102
GA13551	P210	GA14402	P148	GA15881	P216	GA17088	P86
GA13562	P212	GA14412	P130	GA15882	P216	GA1720	P8
GA13572	P212	GA14413	P130	GA15883	P216	GA1720	P10
GA13622	P243	GA14444	P62	GA15884	P216	GA1720	P56
GA13623	P243	GA14444	P102	GA15907	P216	GA17200	P216
GA13633	P187	GA14445	P102	GA16082	P204	GA17399	P146
GA13665	P108	GA14446	P72	GA16145	P102	GA17400	P146

Part No.	Page	Part No.	Page	Part No.	Page	Part No.	Page
GA17401	P147	GA21627	P122	GA25404	P195	GA26924-11	P80
GA17402	P147	GA21627	P170	GA25405	P222	GA26958	P16
GA17413	P125	GA21676	P14	GA25454	P125	GA26989	P30
GA17547	P142	GA21677	P14	GA25454	P222	GA27038	P38
GA17547	P202	GA2180	P54	GA25482	P224	GA27038	P40
GA17547	P204	GA2180	P116	GA25519	P222	GA27102	P74
GA17903	P124	GA2180	P136	GA25520	P222	GA27105	P104
GA18105	P124	GA21813	P122	GA25521	P222	GA27158	P88
GA18311	P232	GA21813	P170	GA25522	P223	GA27159	P88
GA18353	P126	GA22268	P76	GA25523	P223	GA27160	P88
GA18353	P126	GA22273	P143	GA25524	P223	GA27163	P88
GA18486	P199	GA22793	P144	GA25551	P125	GA3407	P183
GA18822	P255	GA24239	P35	GA25551	P222	GA3413	P182
GA2007	P20	GA24371	P53	GA25557	P220	GA3552	P133
GA2007	P46	GA24372	P53	GA25585	P222	GA3553	P133
GA20111	P30	GA24543	P66	GA25585	P223	GA3584	P112
GA2012L	P12	GA24543	P189	GA2559	P246	GA3584	P182
GA2012R	P12	GA24649	P212	GA25782	P220	GA3584	P201
GA2014	P38	GA24676	P30	GA25840	P220	GA3893	P248
GA2014	P40	GA24752	P30	GA25857	P194	GA4286	P227
GA2019	P26	GA24754	P147	GA25982	P195	GA4287	P227
GA2020	P26	GA24825	P130	GA26005	P195	GA4293	P182
GA20252	P195	GA24826	P130	GA26013	P220	GA4293	P187
GA20583	P255	GA24828	P130	GA26104	P88	GA4293	P190
GA20622	P30	GA24873	P24	GA2612	P202	GA4293	P191
GA20640	P10	GA24877	P30	GA26287	P32	GA4376	P130
GA20640	P20	GA24878	P30	GA26287	P33	GA4444	P33
GA20640	P56	GA24889	P46	GA26297	P50	GA4722	P124
GA20640	P98	GA25240	P58	GA2660	P240	GA4723	P124
GA20640	P100	GA25240	P60	GA2660	P242	GA4727	P125
GA2068	P132	GA25257	P42	GA26723	P222	GA4736	P125
GA20687	P122	GA25258	P42	GA26723	P223	GA4842	P106
GA20765	P142	GA25261	P42	GA26723	P224	GA4842	P106
GA20772	P167	GA25261	P58	GA26844	P222	GA4976	P240
GA20773	P167	GA25261	P60	GA26909	P146	GA4976	P242
GA20902	P204	GA25261	P162	GA26909	P150	GA4976	P258
GA21030	P146	GA25261	P164	GA26920	P12	GA4976	P260
GA21030	P165	GA25261	P177	GA26924-01	P152	GA4995	P105
GA21114	P172	GA2528	P202	GA26924-02	P152	GA5105	P116
GA21115	P113	GA25304	P98	GA26924-03	P152	GA5105	P133
GA21115	P172	GA25304	P100	GA26924-04	P152	GA5105	P135
GA21309	P98	GA25365	P220	GA26924-05	P68	GA5105	P233
GA21309	P100	GA25366	P220	GA26924-05	P80	GA5106	P135
GA21405	P144	GA25367	P220	GA26924-06	P68	GA5107	P53
GA21406	P66	GA25369	P222	GA26924-06	P80	GA5107	P135
GA21406	P82	GA25384	P58	GA26924-07	P78	GA5107	P233
GA21406	P82	GA25384	P60	GA26924-07	P80	GA5108	P116
GA21482	P100	GA25388	P82	GA26924-07	P158	GA5108	P135
GA21589	P167	GA25389	P195	GA26924-08	P78	GA5109	P135
GA21590	P167	GA25390	P195	GA26924-08	P80	GA5110	P135
GA21591	P168	GA25401	P42	GA26924-08	P158	GA5111	P135
GA21592	P168	GA25403	P195	GA26924-11	P78	GA5112	P135

# Numerical Index

M0303-02

Model 3605

Part No.	Page	Part No.	Page	Part No.	Page	Part No.	Page
GA5113	P133	GA6741	P32	GA7434	P130	GA9098	P183
GA5113	P135	GA6907	P32	GA7540	P122	GA9105	P47
GA5113	P138	GA6928	P113	GA7579	P114	GA9144	P204
GA5114	P116	GA6929	P113	GA7845	P240	GA9145	P146
GA5114	P132	GA6943	P114	GA7845	P242	GA9202	P202
GA5114	P133	GA6960	P258	GA7851	P210	GA9204	P202
GA5114	P135	GA6960	P260	GA7852	P204	GA9205	P110
GA5114	P233	GA6961	P258	GA7852	P206	GA9205	P173
GA5114	P234	GA6961	P260	GA7852	P210	GA9407	P254
GA5115	P233	GA6964	P122	GA7852	P210	GA9433	P230
GA5116	P234	GA6966	P230	GA7853	P204	GA9434	P230
GA5121	P122	GA6975	P202	GA7853	P206	GA9437	P230
GA5121	P132	GA6977	P202	GA7853	P210	GA9467	P168
GA5164	P133	GA6978	P202	GA7853	P216	GA9472	P232
GA5165	P133	GA7016	P106	GA7854	P204	GA9479	P140
GA5194	P138	GA7018	P114	GA7855	P204	GA9480	P140
GA5229	P233	GA7019	P114	GA7857	P204	GA9481	P202
GA5385	P202	GA7022	P106	GA7859	P204	GA9482	P140
GA5385	P202	GA7022	P124	GA8046	P204	GA9547	P96
GA5548	P136	GA7051	P54	GA8046	P212	GA9553	P116
GA5600	P204	GA7051	P136	GA8047	P202	GA9553	P133
GA5624	P233	GA7051	P237	GA8047	P204	GA9554	P133
GA5654	P38	GA7052	P54	GA8047	P212	GA9557	P138
GA5654	P40	GA7052	P136	GA8050	P206	GA9558	P138
GA5667	P236	GA7052	P237	GA8092	P54	GA9559	P106
GA5671	P234	GA7077	P202	GA8092	P136	GA9559	P173
GA5672	P234	GA7096	P122	GA8135	P211	GA9564	P230
GA5698	P28	GA7098	P124	GA8326	P34	GA9714	P24
GA5699	P28	GA7110	P140	GA8328	P142	GA9819	P230
GA5716	P125	GA7111	P140	GA8329	P142	GA9820	P230
GA5716	P127	GA7129	P234	GA8343	P26	GA9837	P106
GA5842	P106	GA7130	P234	GA8364	P34	GA9840	P118
GA5853	P150	GA7133	P240	GA8366	P34	GA9843	P133
GA5887	P227	GA7137	P140	GA8371	P33	GA9846	P133
GA6108	P202	GA7154	P53	GA8393	P140	GA9964	P66
GA6109	P202	GA7154	P116	GA8603	P35	GA9964	P82
GA6147	P204	GA7154	P133	GA8603	P230	GA9964	P142
GA6171	P14	GA7154	P138	GA8641	P35	GA9964	P142
GA6171	P16	GA7154	P138	GA8688	P228	GA9978	P204
GA6171	P16	GA7208	P258	GA8689	P228	GA9978	P212
GA6171	P16	GA7209	P258	GA8731	P202	GA9979	P204
GA6171	P232	GA7221	P166	GA8734	P202	GA9979	P212
GA6337	P233	GA7239	P228	GA8735	P202	GB0110	P26
GA6434	P16	GA7240	P228	GA8760	P38	GB0115	P34
GA6436	P236	GA7336	P136	GA8859	P176	GB0116	P34
GA6437	P236	GA7336	P233	GA8904	P122	GB0120	P26
GA6497	P114	GA7372	P133	GA8904	P166	GB0186	P8
GA6527	P248	GA7390	P114	GA8931	P254	GB0196	P246
GA6527	P250	GA7396	P234	GA8979	P176	GB0198	P236
GA6597	P16	GA7424	P109	GA9088	P148	GB0199	P236
GA6608	P154	GA7433	P106	GA9096	P201	GB0200	P236
GA6608	P156	GA7434	P125	GA9097	P182	GB0205	P227

Part No.	Page	Part No.	Page	Part No.	Page	Part No.	Page
GB0206	P228	GB0392	P52	GB0926	P30	GD0829	P72
GB0206	P258	GB0393	P6	GB0926	P98	GD0829	P114
GB0206	P260	GB0395	P6	GB0926	P100	GD0829	P258
GB0209	P228	GB0396	P6	GB0958	P30	GD0831	P246
GB0210	P228	GB0397	P6	GB0968	P56	GD0840	P150
GB0218	P106	GB0397	P52	GB1084	P28	GD0914-106.5	P136
GB0218	P112	GB0398	P6	GB1090	P204	GD0914-12.50	P53
GB0218	P133	GB0400	P230	GB1090	P204	GD0914-128	P54
GB0218	P133	GB0405	P230	GB1090	P206	GD0914-138	P54
GB0218	P146	GB0409	P114	GB1090	P210	GD0914-15	P54
GB0218	P148	GB0410	P26	GB1090	P216	GD0914-166.50	P136
GB0218	P227	GB0425	P83	GB1090	P204	GD0914-24	P54
GB0218	P245	GB0425	P84	GB1107	P28	GD0914-27	P54
GB0218	P258	GB0428	P98	GB1123	P28	GD0914-35	P136
GB0218	P260	GB0428	P100	GB1124	P28	GD0914-38	P136
GB0218	P260	GB0429	P83	GB1130	P28	GD0914-45	P136
GB0239	P16	GB0429	P84	GB1131	P28	GD0914-48	P54
GB0246	P109	GB0430	P88	GB1132	P28	GD0914-54.75	P116
GB0254	P16	GB0430	P96	GB1133	P28	GD0914-66	P54
GB0265	P4	GB0430	P98	GB1134	P28	GD0914-90	P54
GB0266	P4	GB0430	P100	GB1147	P28	GD10006	P114
GB0266	P50	GB0431	P83	GB1147	P29	GD10011	P122
GB0267	P4	GB0431	P88	GB1148	P28	GD10012	P122
GB0267	P50	GB0444	P88	GB1171	P28	GD10013	P122
GB0268	P16	GB0445	P96	GB1195	P88	GD10014	P122
GB0274	P4	GB0446	P96	GB1196	P88	GD10036	P6
GB0274	P50	GB0455	P96	GB1197	P88	GD10036	P8
GB0276	P14	GB0455	P98	GB1199	P88	GD10057-01	P270
GB0278	P20	GB0455	P100	GB1201	P88	GD10057-02	P270
GB0278	P34	GB0458	P106	GB1203	P88	GD10057-03	P270
GB0282	P16	GB0464	P38	GB1204	P88	GD10057-04	P270
GB0285	P4	GB0464	P40	GB1206	P90	GD10057-11	P270
GB0285	P50	GB0493	P86	GB1216	P69	GD10057-12	P270
GB0287	P135	GB0554	P150	GB1216	P70	GD10057-14	P270
GB0292	P105	GB0574	P96	GB1223	P8	GD10057-15	P270
GB0296	P230	GB0673	P90	GB1223	P46	GD10057-17	P270
GB0309	P118	GB0675	P90	GB1224	P8	GD10057-18	P270
GB0314	P8	GB0676	P30	GB1224	P8	GD10057-19	P270
GB0314	P46	GB0697	P29	GB1224	P46	GD10057-20	P194
GB0315	P260	GB0717	P98	GB1224	P46	GD10063	P122
GB0322	P230	GB0717	P100	GB1231	P30	GD10064	P122
GB0323	P230	GB0780	P29	GB1237	P30	GD10068	P140
GB0366	P8	GB0815	P29	GB1313	P69	GD10069	P140
GB0383	P38	GB0818	P30	GB1313	P100	GD10070	P140
GB0383	P40	GB0823	P29	GD0453-03	P146	GD10071	P140
GB0387	P38	GB0867	P114	GD0453-04	P146	GD10088	P148
GB0387	P40	GB0901	P98	GD0453-07	P146	GD10092	P122
GB0389	P52	GB0901	P100	GD0453-08	P146	GD10099	P133
GB0389	P58	GB0905	P90	GD0740	P178	GD10100	P135
GB0389	P60	GB0907	P30	GD0746	P150	GD10103	P140
GB0390	P52	GB0920	P30	GD0826	P109	GD10104	P140
GB0391	P52	GB0921	P30	GD0826	P113	GD10110	P240

# Numerical Index

M0303-02

Model 3605

Part No.	Page	Part No.	Page	Part No.	Page	Part No.	Page
GD10119	P234	GD11045	P136	GD11649	P46	GD12726	P201
GD10123	P140	GD11079	P207	GD1166	P246	GD12818	P183
GD10186	P147	GD11089	P202	GD11677	P35	GD13146	P182
GD10196	P258	GD11089	P204	GD11700	P190	GD13170	P173
GD10207	P165	GD11089	P207	GD11700	P195	GD13170	P173
GD10242	P228	GD11089	P212	GD11700	P248	GD13171	P173
GD10243	P202	GD1109	P16	GD11700	P250	GD13172	P173
GD1026	P21	GD11120	P140	GD11721	P62	GD13172	P173
GD1026	P22	GD11123	P240	GD11751	P147	GD13173	P173
GD1026	P32	GD11123	P242	GD11784	P40	GD13173	P173
GD1026	P56	GD11124	P240	GD11787	P26	GD13287	P230
GD1026	P136	GD11124	P242	GD11953	P232	GD13302	P168
GD1026	P230	GD1113	P8	GD11962	P21	GD13303	P168
GD1026	P233	GD1113	P46	GD11962	P22	GD13303	P170
GD1026	P234	GD1113	P54	GD11962	P32	GD13307	P170
GD10273	P228	GD1113	P102	GD11963-07	P110	GD13309	P232
GD10283	P150	GD1113	P118	GD11970	P176	GD13310	P182
GD10298	P132	GD1113	P228	GD11972	P54	GD13310	P183
GD10303	P228	GD1113	P230	GD11973	P53	GD13310	P202
GD10304	P228	GD1113	P230	GD11984	P176	GD13328	P246
GD1041	P26	GD1113	P230	GD11985	P172	GD13348	P202
GD1042	P26	GD1113	P240	GD11988	P166	GD13348	P204
GD10446	P122	GD1113	P242	GD11991	P166	GD13359	P147
GD10447	P122	GD1113	P242	GD11992	P166	GD13360	P147
GD10487	P228	GD1113	P248	GD11999	P174	GD13400	P173
GD10492	P114	GD1113	P250	GD1200	P236	GD13400	P173
GD10519	P38	GD11218	P56	GD1207	P236	GD13401	P130
GD10519	P40	GD11219	P32	GD1209	P236	GD13409	P124
GD10530	P110	GD11239	P20	GD1210	P236	GD13422	P116
GD10531	P114	GD11239	P34	GD12102	P165	GD13425	P173
GD10532	P114	GD11240	P34	GD12102	P172	GD13524-01	P140
GD10538-01	P110	GD11245	P124	GD12102	P174	GD13544	P110
GD10538-07	P146	GD11259	P4	GD12103	P166	GD13706-02	P260
GD10543	P132	GD11259	P50	GD12103	P168	GD13744	P246
GD10543	P140	GD11264	P46	GD12104	P176	GD1379	P236
GD1059L	P33	GD11279	P24	GD12106	P167	GD1380	P236
GD1059R	P33	GD11286	P26	GD12106	P170	GD14121	P106
GD1060	P33	GD11297	P34	GD1213	P236	GD14217	P8
GD1061	P34	GD11305	P32	GD1213	P236	GD14258	P142
GD1063	P34	GD11306	P12	GD12502	P174	GD14258	P142
GD1065	P21	GD1132	P38	GD1255	P133	GD14308	P165
GD1065	P22	GD1132	P40	GD1256	P133	GD14413	P136
GD10792	P147	GD1134	P234	GD12561	P24	GD14413	P234
GD1083	P26	GD1134	P236	GD12561	P24	GD14414	P136
GD1085	P16	GD11413	P20	GD12561	P96	GD14414	P234
GD10963	P32	GD11413	P34	GD12572	P167	GD14426	P136
GD10984	P32	GD11424	P33	GD12597	P176	GD14427	P234
GD10991	P14	GD11474	P211	GD12676	P230	GD14431	P136
GD10993	P4	GD11490	P130	GD12677	P230	GD14431	P234
GD10993	P50	GD11528	P26	GD12679	P230	GD14432	P136
GD11001	P4	GD11557	P230	GD12685	P230	GD14432	P234
GD1104	P228	GD11558	P230	GD12724	P17	GD14512	P140

Part No.	Page	Part No.	Page	Part No.	Page	Part No.	Page
GD14513	P140	GD17150-04	P144	GD19212	P114	GD20589	P102
GD14528	P182	GD17150-08	P144	GD19225	P76	GD20591	P76
GD14660	P142	GD17150-09	P144	GD19237	P144	GD20593	P118
GD15100	P108	GD17150-12	P144	GD19238	P144	GD20595	P118
GD1512	P269	GD17151-06	P142	GD19292	P35	GD20599	P102
GD1514	P258	GD17151-20	P66	GD19295	P206	GD20695	P180
GD1514	P260	GD17154	P144	GD19333	P26	GD20696	P114
GD1515	P258	GD17156	P144	GD19343	P136	GD20697	P180
GD1515	P260	GD17156	P144	GD19343	P234	GD20718	P186
GD1516	P258	GD1719	P54	GD19344	P136	GD20719	P186
GD1516	P260	GD17245	P108	GD19344	P234	GD20722	P62
GD1517	P258	GD1747	P240	GD19383-02	P114	GD20728	P106
GD1517	P260	GD18010	P142	GD19383-03	P72	GD20756	P102
GD15698	P26	GD18010	P144	GD19422	P242	GD20757	P260
GD15699	P28	GD18011	P52	GD19423	P242	GD20923	P90
GD15725	P108	GD18011	P144	GD19440	P187	GD20928	P82
GD15804	P66	GD18013	P206	GD19460	P63	GD21080	P88
GD15804	P82	GD18014	P116	GD19468	P108	GD21142	P147
GD15849-02	P66	GD18078	P144	GD19469	P63	GD21143	P147
GD15849-02	P82	GD18084	P144	GD19470	P63	GD2115	P258
GD15867-04	P69	GD18112	P143	GD19491	P147	GD2115	P260
GD15867-04	P70	GD18114	P116	GD19508	P83	GD2117	P242
GD16037	P74	GD18115	P116	GD19508	P98	GD2117	P260
GD16037	P104	GD18118	P211	GD19508	P100	GD2117	P269
GD16038	P74	GD18119	P144	GD19509	P96	GD21278	P66
GD16038	P104	GD18135	P47	GD19509	P98	GD21278	P82
GD16040	P74	GD18136	P47	GD19509	P100	GD21300	P82
GD16040	P104	GD18168	P211	GD19639	P86	GD21337	P8
GD16188	P190	GD18176	P207	GD19655	P124	GD21398	P236
GD16226	P108	GD18274	P52	GD19658-02	P86	GD21540	P150
GD16245	P4	GD18274	P144	GD19659-05	P86	GD2169	P110
GD16245	P50	GD18275	P142	GD19661-01	P146	GD2169	P122
GD16303	P108	GD18326	P116	GD19690-03	P90	GD2199	P132
GD16317-01	P62	GD18347	P222	GD19690-04	P90	GD2199	P269
GD16324-01	P66	GD18407	P212	GD19790	P26	GD22686	P274
GD16324-01	P82	GD18408	P212	GD19852	P88	GD22965	P202
GD16418-02	P146	GD18540	P146	GD19864	P88	GD22968	P216
GD16489	P116	GD1862	P240	GD20035	P90	GD22974	P216
GD16490	P116	GD1862	P242	GD20036	P90	GD22974	P220
GD16598	P222	GD18628	P118	GD20037	P90	GD22975	P216
GD16598	P223	GD18643	P125	GD20060	P240	GD23002	P165
GD16642	P72	GD18645	P125	GD20060	P242	GD23773	P22
GD16642	P106	GD18663	P119	GD20282	P92	GD23774	P10
GD16642	P274	GD18676	P124	GD20282	P94	GD23774	P56
GD16644	P104	GD18704	P26	GD20401	P86	GD23995	P6
GD17014	P4	GD18796	P142	GD20456	P130	GD2412	P236
GD17052	P20	GD18811	P187	GD20457	P125	GD2423	P32
GD17052	P47	GD18815	P146	GD20461	P130	GD24386	P90
GD17052	P100	GD18889	P146	GD20518	P76	GD24545	P4
GD17141	P144	GD19123	P191	GD20534	P76	GD24545	P46
GD17143	P144	GD19124	P144	GD20539	P62	GD24754	P90
GD17150-03	P144	GD19212	P86	GD20539	P76	GD24879-01	P90

# Numerical Index

M0303-02

Model 3605

Part No.	Page	Part No.	Page	Part No.	Page	Part No.	Page
GD25009	P223	GD29459	P46	GD34923	P227	GD36866	P152
GD25189	P146	GD2947	P32	GD34923	P258	GD36866	P158
GD2548-15.5	P237	GD29507	P20	GD34923	P260	GD36922	P26
GD25522	P68	GD29651	P167	GD3501	P106	GD36990	P12
GD25522	P68	GD29657	P30	GD35127	P107	GD37001	P90
GD25522	P78	GD2971-09	P106	GD35211	P58	GD37049	P88
GD25522	P80	GD2971-10	P32	GD35211	P60	GD37050	P88
GD25522	P158	GD2971-21	P62	GD35230	P58	GD3860	P202
GD25568	P46	GD2971-24	P56	GD35230	P60	GD3951	P240
GD25569	P46	GD2971-26	P62	GD35231	P58	GD3951	P242
GD2558	P118	GD2971-31	P12	GD35231	P60	GD4086	P68
GD2558	P124	GD29798	P4	GD35271	P196	GD4086	P78
GD2558	P132	GD29798	P98	GD35271	P197	GD4086	P80
GD2558	P135	GD2984	P260	GD35294	P82	GD4086	P158
GD2558	P233	GD2984	P269	GD35314	P195	GD4700	P133
GD2558	P246	GD30263	P165	GD35339	P107	GD4701	P133
GD25644	P82	GD30264	P165	GD35340	P107	GD4743	P62
GD2597	P150	GD30401	P172	GD3537-11	P109	GD4743	P102
GD26024	P146	GD30696	P170	GD3537-12	P109	GD4743	P116
GD26024	P234	GD30697	P168	GD3537-20	P109	GD4743	P144
GD26025	P234	GD30697	P170	GD35381	P74	GD4743	P148
GD26146	P16	GD30725	P12	GD35404	P222	GD4743	P186
GD26593	P30	GD30725	P38	GD35404	P223	GD4743	P194
GD26598	P232	GD30725	P40	GD35444	P12	GD4887-17	P135
GD2681	P245	GD30860	P170	GD35459	P42	GD4887-17	P138
GD26876	P150	GD30880	P170	GD3547	P258	GD5154	P109
GD26970	P58	GD30881	P170	GD3547	P260	GD5212	P133
GD26970	P60	GD30882	P82	GD35471	P46	GD5212	P135
GD26973	P38	GD30902	P140	GD35472	P46	GD5804	P109
GD26973	P40	GD30903	P140	GD35493	P220	GD5841	P118
GD2721	P102	GD31424	P62	GD35572	P222	GD5841	P130
GD2721	P146	GD31424	P69	GD35572	P223	GD5857	P106
GD2721	P148	GD31424	P70	GD35784-01	P28	GD5857	P116
GD2721	P258	GD31466	P232	GD35791	P220	GD5857	P132
GD27232	P173	GD31485	P202	GD35792	P220	GD5857	P135
GD27232	P173	GD31511	P147	GD35835	P194	GD5857	P138
GD27234	P165	GD3180-10	P234	GD35844	P90	GD5857	P234
GD27234	P172	GD3180-30	P6	GD35857	P90	GD5875	P106
GD27235	P167	GD3180-30	P52	GD35858	P98	GD5875	P110
GD27235	P168	GD3180-34	P146	GD35858	P100	GD5875	P122
GD27235	P170	GD32092	P202	GD35904-01	P60	GD5875	P125
GD2734-08	P234	GD32368	P106	GD3612	P4	GD5886	P237
GD27607	P90	GD33758	P220	GD3612	P50	GD6279-05	P190
GD27654	P202	GD33759	P220	GD3623	P240	GD6279-06	P82
GD2829	P202	GD33962	P86	GD3623	P242	GD6291	P72
GD28390	P4	GD34021-02	P28	GD36264	P17	GD6291	P202
GD28631	P30	GD34178	P125	GD36277	P32	GD6291	P17
GD29318	P195	GD34178	P130	GD36709	P14	GD6553	P227
GD29319	P195	GD34179	P124	GD36713	P14	GD6556	P106
GD29339	P96	GD34774	P30	GD36756	P194	GD6775	P133
GD29413	P98	GD34779	P182	GD36856	P12	GD6780	P135
GD29413	P100	GD34922	P118	GD36860	P12	GD6895	P133

Part No.	Page	Part No.	Page	Part No.	Page	Part No.	Page
GD7079	P124	GD8247	P227	GD9977	P182	GR1015	P242
GD7089	P124	GD8260	P106	GD9981	P148	GR1015	P258
GD7127	P135	GD8276	P228	GM0303-01	P273	GR1015	P260
GD7127	P233	GD8306	P54	GM0303-02	P273	GR1016	P240
GD7137	P106	GD8306	P86	GPR1094	P273	GR1016	P242
GD7145	P125	GD8460	P16	GR0146MPP	P272	GR1016	P258
GD7147	P176	GD8739	P201	GR0150	P150	GR1016	P260
GD7148	P34	GD8739	P222	GR0151	P150	GR1017	P240
GD7251	P106	GD8740	P201	GR0188	P227	GR1017	P242
GD7258	P34	GD8741	P201	GR0190	P246	GR1017	P258
GD7318	P21	GD8751	P204	GR0193	P119	GR1017	P260
GD7318	P22	GD8770	P204	GR0193	P122	GR1018	P240
GD7426	P136	GD8771	P204	GR0195	P246	GR1018	P242
GD7426	P233	GD8778	P28	GR0196	P8	GR1018	P258
GD7426	P234	GD8893-01	P56	GR0196	P32	GR1018	P260
GD7518	P106	GD8893-07	P107	GR0196	P46	GR1019	P240
GD7519	P106	GD9120	P16	GR0196	P98	GR1019	P242
GD7612	P136	GD9130	P122	GR0196	P100	GR1019	P258
GD7803	P35	GD9131	P236	GR0200	P246	GR1019	P260
GD7804	P35	GD9132	P236	GR0200	P246	GR1037	P78
GD7817-05	P246	GD9254	P35	GR0204	P246	GR1037	P110
GD7817-18	P46	GD9529	P192	GR0267	P246	GR1037	P122
GD7831	P246	GD9529	P192	GR0270	P130	GR1037	P122
GD7848	P236	GD9529	P201	GR0367	P119	GR1037	P146
GD7864	P124	GD9530	P192	GR0375	P122	GR1037	P154
GD7866	P233	GD9530	P192	GR0434	P130	GR1037	P174
GD7867	P237	GD9530	P201	GR0528	P124	GR1037	P176
GD7883	P109	GD9533	P182	GR0586	P204	GR1037	P178
GD7889	P138	GD9636	P122	GR0594	P204	GR1037	P178
GD7900	P227	GD9667	P140	GR0664	P26	GR1037	P180
GD7904-02	P114	GD9671	P140	GR0761	P192	GR1037	P180
GD7904-02	P228	GD9672	P140	GR0761	P196	GR1037	P180
GD7907	P228	GD9695	P46	GR0761	P197	GR1037	P182
GD7907	P258	GD9724	P38	GR0763	P192	GR1037	P182
GD7907	P260	GD9724	P40	GR0764	P182	GR1037	P182
GD7908	P227	GD9870	P114	GR0764	P183	GR1037	P182
GD7908	P258	GD9896	P202	GR0764	P187	GR1037	P182
GD7908	P260	GD9898	P114	GR0764	P192	GR1037	P183
GD7912	P228	GD9905	P183	GR0880	P248	GR1037	P183
GD7962	P227	GD9952	P112	GR0881	P248	GR1037	P186
GD8066-02	P182	GD9955	P114	GR0882	P243	GR1037	P195
GD8188	P106	GD9955	P114	GR0882	P248	GR1037	P78
GD8188	P110	GD9956	P114	GR0883	P243	GR1037	P80
GD8188	P110	GD9959	P109	GR0883	P248	GR1037	P118
GD8188	P112	GD9960	P106	GR0912	P54	GR1037	P118
GD8189	P106	GD9963	P114	GR0912	P133	GR1037	P156
GD8189	P110	GD9964	P114	GR0912	P135	GR1037	P165
GD8189	P110	GD9964	P114	GR0912	P138	GR1037	P166
GD8189	P112	GD9968	P114	GR0912	P233	GR1037	P167
GD8224	P228	GD9969	P132	GR0912	P234	GR1037	P168
GD8238	P227	GD9971	P178	GR0912	P116	GR1037	P170
GD8239	P228	GD9971	P180	GR1015	P240	GR1037	P172



# Numerical Index

M0303-02

Model 3605

Part No.	Page	Part No.	Page	Part No.	Page	Part No.	Page
GR1037	P182	GR1296	P136	GR1466	P187	GR1777	P66
GR1037	P186	GR1296	P237	GR1467	P72	GR1777	P82
GR1037	P186	GR1297	P54	GR1467	P74	GR1777	P86
GR1037	P187	GR1297	P136	GR1467	P82	GR1777	P66
GR1037	P187	GR1297	P237	GR1467	P104	GR1777	P82
GR1037	P191	GR1298	P54	GR1467	P104	GR1778	P144
GR1045	P66	GR1298	P136	GR1467	P104	GR1786	P104
GR1045	P81	GR1301	P54	GR1467	P180	GR1790	P116
GR1045	P180	GR1301	P136	GR1467	P180	GR1796	P252
GR1045	P182	GR1301	P237	GR1467	P190	GR1798	P252
GR1045	P182	GR1303	P140	GR1467	P190	GR1800	P252
GR1045	P183	GR1304	P140	GR1467	P78	GR1801	P252
GR1045	P183	GR1305	P140	GR1519	P176	GR1803	P252
GR1045	P183	GR1306	P140	GR1522	P172	GR1804	P252
GR1045	P183	GR1363	P142	GR1524	P166	GR1805	P252
GR1045	P189	GR1363	P202	GR1526	P174	GR1806	P252
GR1045	P190	GR1364	P142	GR1533	P254	GR1808	P252
GR1045	P190	GR1364	P202	GR1535	P254	GR1834	P104
GR1045	P78	GR1405	P54	GR1540	P254	GR1839	P212
GR1045	P78	GR1406	P54	GR1541	P254	GR1842MPP	P273
GR1045	P80	GR1407	P54	GR1542	P254	GR1843	P144
GR1045	P80	GR1408	P54	GR1543	P252	GR1846	P187
GR1045	P191	GR1409	P54	GR1543	P254	GR1848	P26
GR1104	P252	GR1410	P54	GR1544	P254	GR1917	P243
GR1112	P252	GR1411	P54	GR1545	P254	GR1918	P243
GR1116	P252	GR1412	P54	GR1557	P54	GR1921	P144
GR1118	P252	GR1413	P54	GR1557	P54	GR1923	P199
GR1120	P252	GR1414	P211	GR1557	P136	GR1925	P165
GR1122	P246	GR1415	P211	GR1557	P136	GR1939	P187
GR1123	P252	GR1465	P146	GR1557	P237	GR1941	P240
GR1124	P252	GR1465	P170	GR1557	P237	GR1941	P242
GR1134	P252	GR1465	P176	GR1557	P237	GR1943	P143
GR1146	P246	GR1465	P197	GR1559	P254	GR1947	P84
GR1146	P252	GR1465	P165	GR1561	P254	GR1951	P144
GR1290	P202	GR1466	P66	GR1566	P254	GR1960	P82
GR1292	P202	GR1466	P66	GR1567	P254	GR1961	P82
GR1293	P54	GR1466	P74	GR1568	P254	GR1965	P82
GR1293	P54	GR1466	P80	GR1569	P26	GR1966	P82
GR1293	P136	GR1466	P80	GR1570MPP	P272	GR1967	P82
GR1293	P136	GR1466	P81	GR1573	P168	GR1968	P82
GR1293	P237	GR1466	P104	GR1574	P254	GR1969	P82
GR1293	P237	GR1466	P104	GR1575	P254	GR1977	P82
GR1294	P54	GR1466	P104	GR1598	P173	GR1978	P82
GR1294	P54	GR1466	P182	GR1598	P173	GR1979	P82
GR1294	P136	GR1466	P182	GR1708	P240	GR1979	P82
GR1294	P136	GR1466	P182	GR1708	P242	GR2000	P81
GR1294	P237	GR1466	P183	GR1709	P240	GR2011	P252
GR1294	P237	GR1466	P189	GR1709	P242	GR2025	P103
GR1295	P54	GR1466	P189	GR1736	P66	GR2041	P182
GR1295	P136	GR1466	P190	GR1736	P82	GR2041	P187
GR1295	P237	GR1466	P195	GR1762	P204	GR2041	P190
GR1296	P54	GR1466	P76	GR1763	P204	GR2041	P191

Part No.	Page	Part No.	Page	Part No.	Page	Part No.	Page
GR2043 . . . . .	P186						
GR2109 . . . . .	P82						
GR2127MPP . . . . .	P272						
GR2152 . . . . .	P105						
GR2153 . . . . .	P105						
GR2154 . . . . .	P26						
GR2185 . . . . .	P252						
GR2217 . . . . .	P273						
GR2224 . . . . .	P167						
GR2230 . . . . .	P170						
GR2233 . . . . .	P144						
GR2234 . . . . .	P170						
GR2240MPP . . . . .	P273						
GR2241MPP . . . . .	P273						
GR2279 . . . . .	P212						
GR2287 . . . . .	P196						
GR2287 . . . . .	P197						
GR2314 . . . . .	P66						
GR2314 . . . . .	P66						
GR2314 . . . . .	P189						
GR2333 . . . . .	P66						
GR2333 . . . . .	P189						
GR2334 . . . . .	P272						
GR2335 . . . . .	P272						
GR2361 . . . . .	P194						
GR2362 . . . . .	P177						
GR2363 . . . . .	P177						
GR2368 . . . . .	P194						
R2282 . . . . .	P177						