

# DUAL AUGER GRAIN CARTS

# PARTS MANUAL

(1321/1421/1521/1721)

**M0316-02**

**Rev. 4/24**

This manual applies to:           2022 Production and on

Record the model number and serial number of your planter along with date purchased:

Serial Number \_\_\_\_\_

Date Purchased \_\_\_\_\_

Information in this manual was current at time of printing. However, due to Kinze's ongoing product improvement, production changes may cause your machine to appear slightly different in detail. Kinze Manufacturing, Inc. reserves the right to change specifications or design without notice and without incurring obligation to install the same on machines previously manufactured.

Right hand (R.H.) and left hand (L.H.), as used throughout this manual, are determined by facing in the direction the machine will travel when in use, unless otherwise stated.

**This page left blank intentionally.**

**DRIVE COMPONENTS**

PTO Assembly - 1¾"-20 Spline Yoke . . . . .	P1
PTO Assembly - 1¾"-20 Spline Yoke, Grain Transfer. . . . .	P4
Intermediate Drive Line. . . . .	P5
Gearbox . . . . .	P6
V-Belt Idler Assembly . . . . .	P7
V-Belt Idler Assembly . . . . .	P9
Idler Arm Assembly . . . . .	P10
Auger Drive Grease Hose Assembly . . . . .	P11
Horizontal Auger Drive Hub Assembly . . . . .	P13

**MAIN FRAME**

Clevis Hitch Assemblies . . . . .	P15
Safety Chain . . . . .	P16
Front Hitch . . . . .	P17
Jack Assembly . . . . .	P19
Grain Transfer. . . . .	P21
Front Lower Housing. . . . .	P23
Vertical Auger Assembly (2022 Production) . . . . .	P25
Vertical Auger Assembly (2023 Production and On). . . . .	P27
Upper Vertical Auger Assembly. . . . .	P29
Lower Vertical Auger Sub Assembly. . . . .	P31
Upper Vertical Auger Sub Assembly . . . . .	P32
Frame Assembly . . . . .	P33
Cleanout Sweep Assembly (2022 Production) . . . . .	P35
Cleanout Sweep Assembly (2023 Production and On). . . . .	P37
Inner Grain Transfer . . . . .	P39
Lower Tank Assembly (1321) . . . . .	P41
Lower Tank Assembly (1421/1521). . . . .	P45
Lower Tank Assembly (1721) . . . . .	P49
Inner Truss Support . . . . .	P51
Hydraulic Flow Gate, Front Assembly (1321) . . . . .	P53
Hydraulic Flow Gate, Rear Assembly (1321) . . . . .	P55
Hydraulic Flow Gate, Front Assembly (1421/1521) . . . . .	P57
Hydraulic Flow Gate, Rear Assembly (1421/1521). . . . .	P59
Hydraulic Flow Gate, Front Assembly (1721) . . . . .	P61
Hydraulic Flow Gate, Rear Assembly (1721) . . . . .	P63
Lower Tank Supports (1321/1421/1521/1721) . . . . .	P65
Cross Brace Assemblies. . . . .	P68
Upper Tank Assembly. . . . .	P69
Upper Tank Side Panels and Bracing. . . . .	P71
Roll Tarp . . . . .	P73
Electric Roll Tarp. . . . .	P77
Electric Roll Tarp Miscellaneous. . . . .	P79
Flotation Axle (1321/1421/1521) . . . . .	P81
Track Axle (1321/1421/1521) . . . . .	P83
Track Axle (1721) . . . . .	P85

Track Assembly (1321/1421/1521). . . . .	P87
Track Main Frame (1321/1421/1521) . . . . .	P89
Detensioning Tool . . . . .	P91
Camso Service Tools . . . . .	P92
Bogie Hub Assembly (1321/1421/1521). . . . .	P93
Alignment Link W/Hubs (1321/1421/1521). . . . .	P94
Tension Link W/Hubs (1321/1421/1521). . . . .	P95
36" Track Assembly (1721). . . . .	P96
Track End Wheel (1721). . . . .	P97
Track Mid Wheel (1721) . . . . .	P98
Hub Assembly (1321 Flotation). . . . .	P99
Hub Assembly (1421/1521 Flotation) . . . . .	P100
Tire Assemblies (Flotation) . . . . .	P101

**HYDRAULICS**

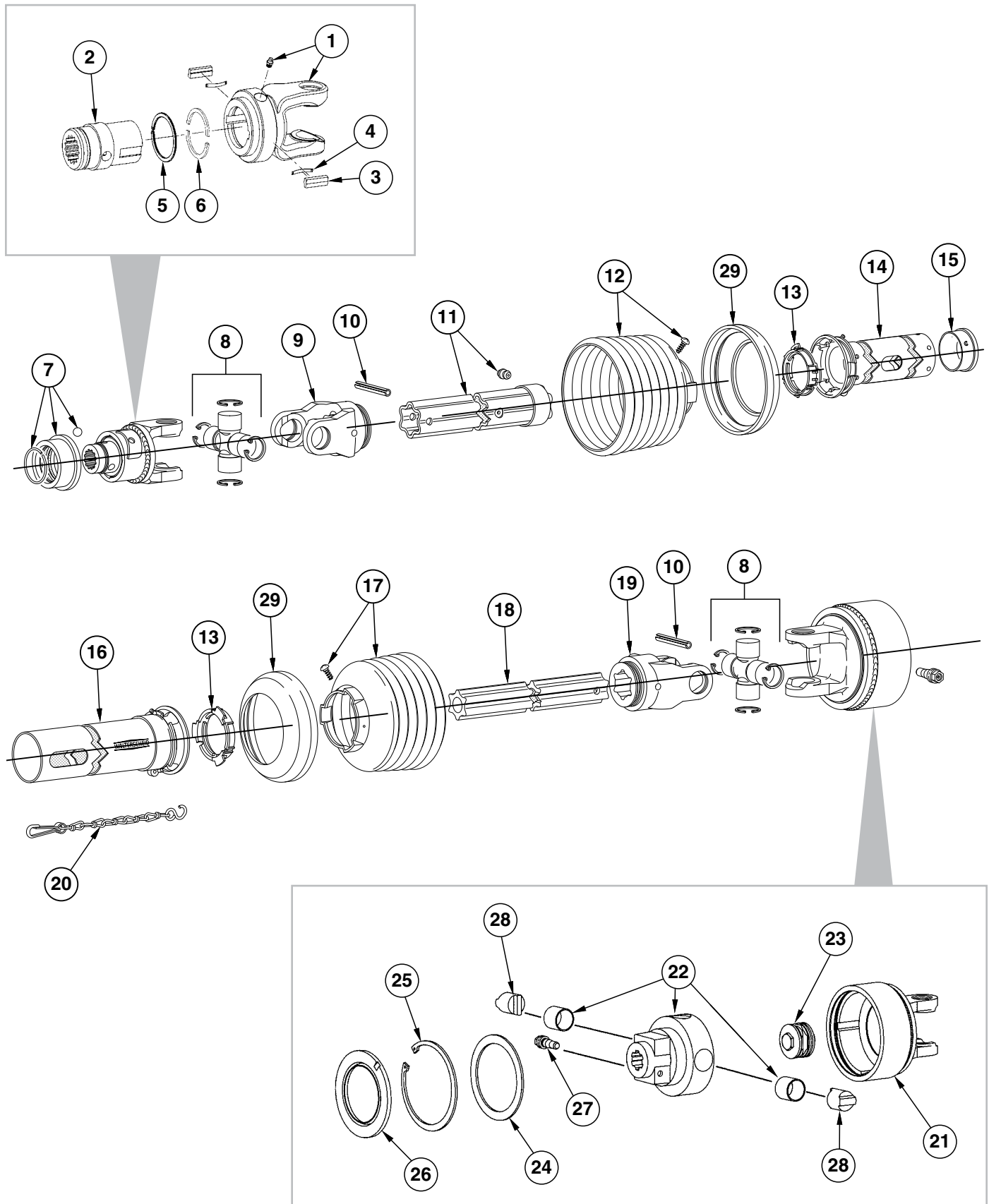
Hydraulic Schematic. . . . .	P103
Vertical Auger Grease Hose Assembly. . . . .	P105
Hydraulic Flow Gate Cylinder. . . . .	P107
Auger Discharge Hood Cylinder . . . . .	P108
Auger Rotate Cylinder. . . . .	P109
Vertical Auger Cylinder . . . . .	P111
Horizontal Auger Drive (Idler) Cylinder . . . . .	P112
Counterbalance Valve Block. . . . .	P113
Spout Manifold Block Assembly . . . . .	P114
Floor Auger Manifold Block Assembly. . . . .	P115
Auger Rotate Manifold Block Assembly . . . . .	P116

**ELECTRICAL**

Electrical Schematic . . . . .	P117
Safety/Warning Lights . . . . .	P119
Electronic Scale Components, Flotation and Track . . . . .	P120
Miscellaneous Electronic Scale Components. . . . .	P121

**MISCELLANEOUS . . . . . P123****NUMERICAL INDEX . . . . . P133**

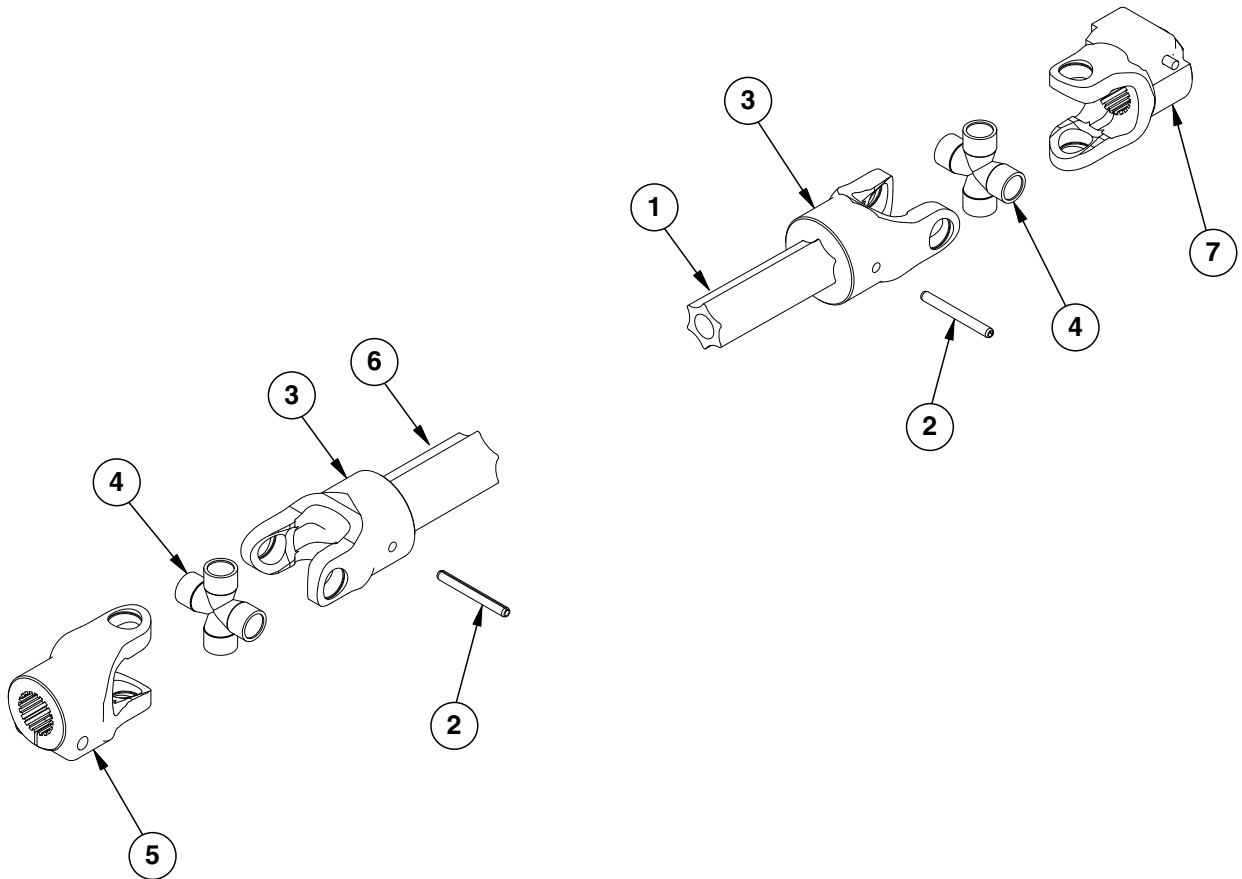
(GR1642/A12243/GR1788)



ITEM	PART NO.	QTY.	DESCRIPTION
1	GR1693	1	Housing W/Grease Fitting
	GR1661	-	Grease Fitting
2	GR1694	1	Hub
3	GR1669	2	Key
4	GR1670	2	Leaf Spring
5	GR1672	1	Retaining Ring
6	GR1695	2	Half Ring
7	GR1246	-	Quick Disconnect Kit
8	GR2045	2	Cross And Bearing Kit
9	GR1215	1	Inboard Yoke
10	GR1211	2	Spring Pin
11	GR1644	1	Profile And Sleeve W/Grease Fitting
	GR1430	-	Grease Fitting, $\frac{3}{16}$ ", Drive-In
12	GR2269	1	Guard Cone W/Screw
13	GR1220	2	Bearing Ring
14	GR2271	1	Inner Guard Tube
15	GR1222	1	Support Bearing
16	GR2270	1	Outer Guard Tube
17	GR1648	1	Guard Cone W/Screw
18	GR1645	1	Inner Profile
19	GR1212	1	Inboard Yoke
20	GR2272	1	Safety Chain
21	GR1794	1	Housing
22	GR1791	1	Hub W/Bushings
	GR1704	-	Bushing
23	GR1792	1	Spring
24	GR1699	1	Washer
25	GR1700	1	Retaining Ring
26	GR1701	1	Ring
27	GR1649	-	Lock Assembly
28	GR1793	4	Cam
29	GR2050	-	Reinforcing Collar
A	GR1640	-	PTO Half-Tractor (Items 1-15 and 19)
B	GR1789	-	PTO Half-Machine (Items 8, 10, 13, and 16-29)
C	GR1642	-	Overrunning Clutch Yoke (Items 1-7)
D	GR1788	1	Torque Limiting Clutch (Items 21-28)

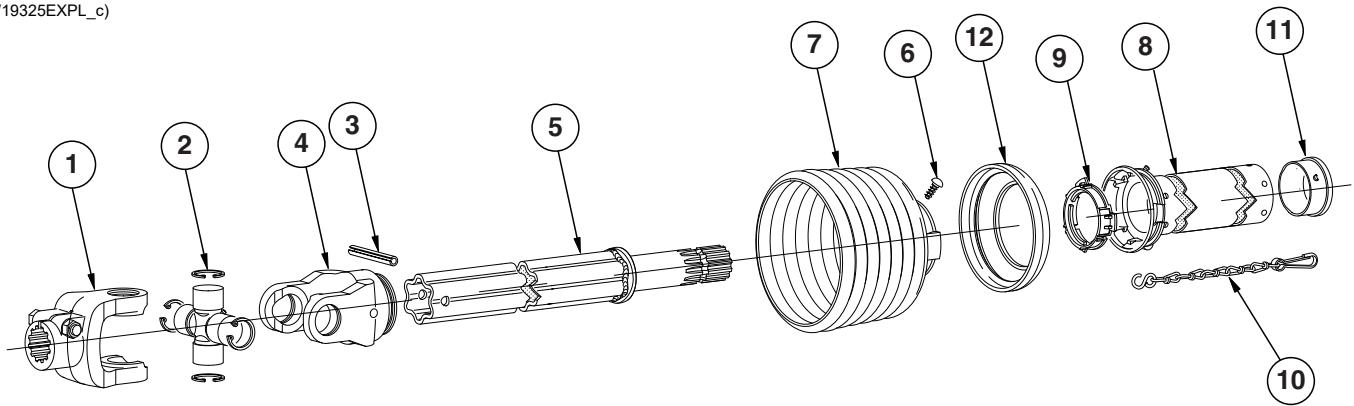
**This page left blank intentionally.**

(IP1406)



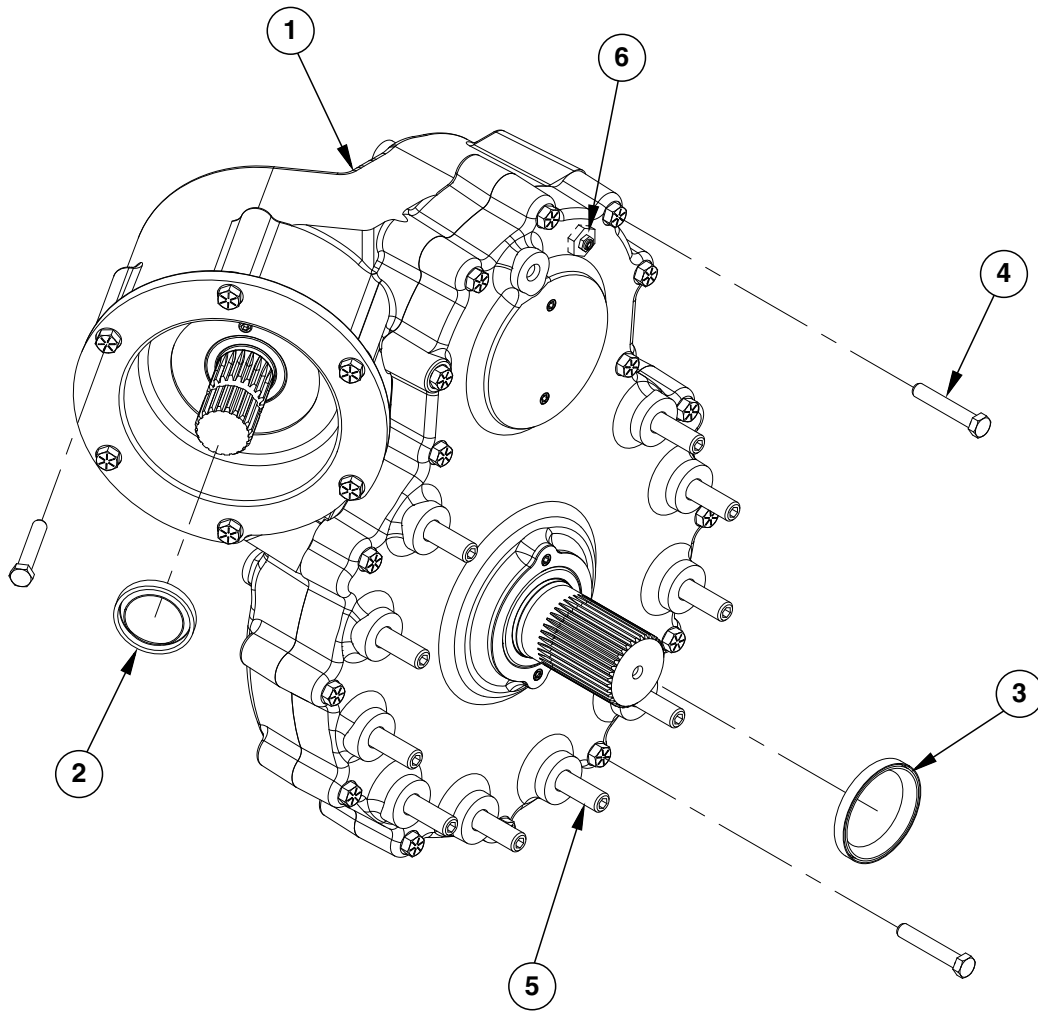
ITEM	PART NO.	QTY.	DESCRIPTION
1	GR2061	1	Inner Profile
2	GR1211	2	Spring Pin
3	GR1212	1	Inboard Yoke
4	GR2045	2	Cross And Bearing Kit
5	GD23537	1	Yoke
6	GR2062	1	Inboard Yoke Profile
7	GD24615	1	Yoke
A	GA15899	-	PTO Assembly Complete (Items 1-7)

(W19325EXPL\_c)



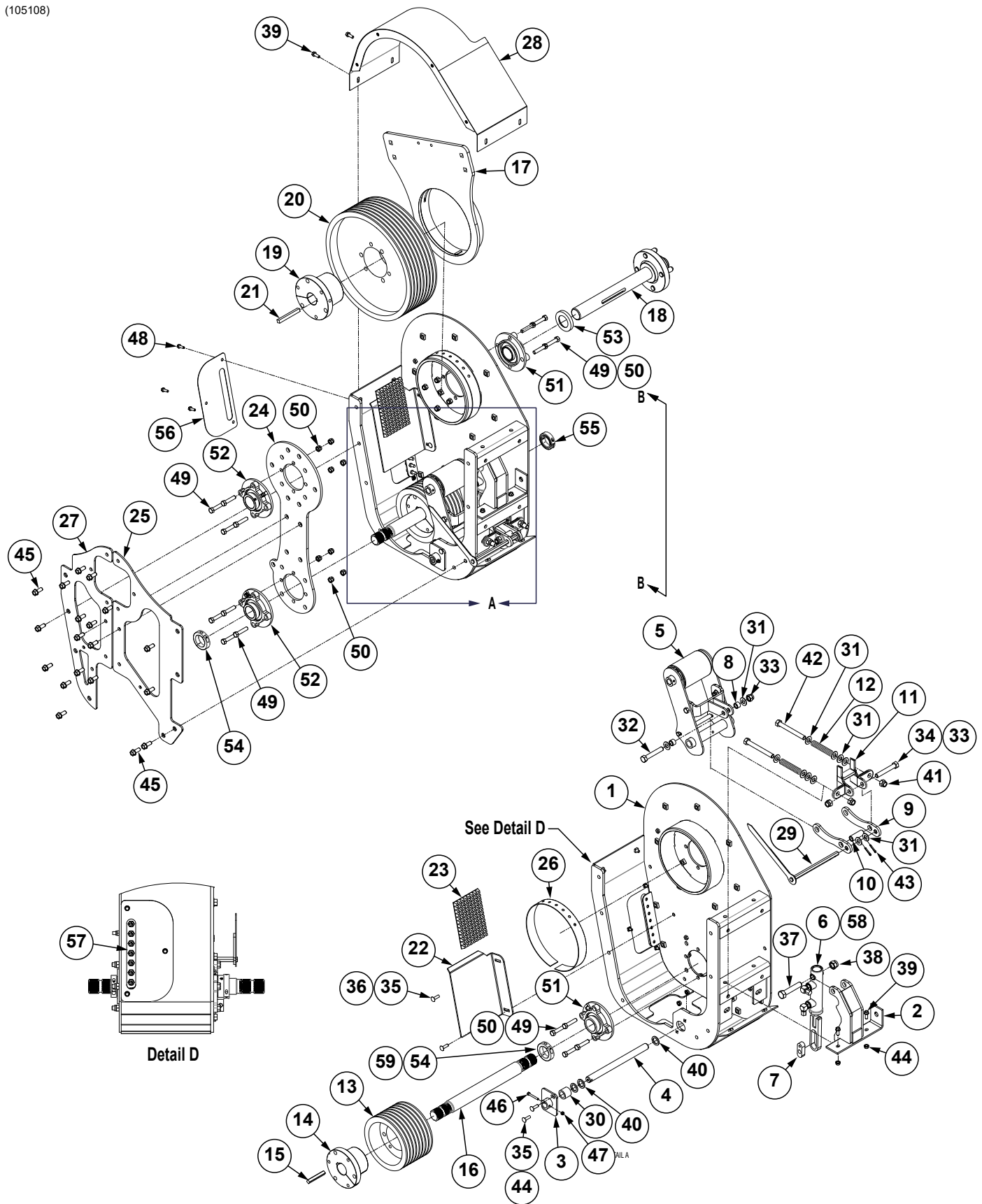
ITEM	PART NO.	QTY.	DESCRIPTION
1	GD23537	1	Yoke
2	GR2045	1	Cross And Bearing Kit
3	GR1211	1	Spring Pin
4	GR1215	1	Inboard Yoke
5	GR2063	1	Inner Profile
6	GR2049	1	Screw
7	GR1217	1	Guard Cone W/Screw
8	GR2064	1	Outer Guard
9	GR1220	1	Bearing Ring
10	GR1221	1	Safety Chain
11	GR1872	1	Support Bearing
12	GR2050	1	Reinforcing Collar
A	GA16263	-	Intermediate Drive Line Complete (Items 1-14)





ITEM	PART NO.	QTY.	DESCRIPTION
1	GA16008	1	Gearbox
2	GR2095	1	Seal
3	GR2096	1	Seal
4	GR2101	22	Hex Head Cap Screw, 7/16"-14 x 2 1/2"
5	GR2102	10	Stud, 5/8"-11 x 3 1/4"
6	GR2097	1	Vent Plug, 1/8"-27
7	GR2099	2	Plug, 1/2"-14
A	GA16008	-	Gearbox Complete

(105108)

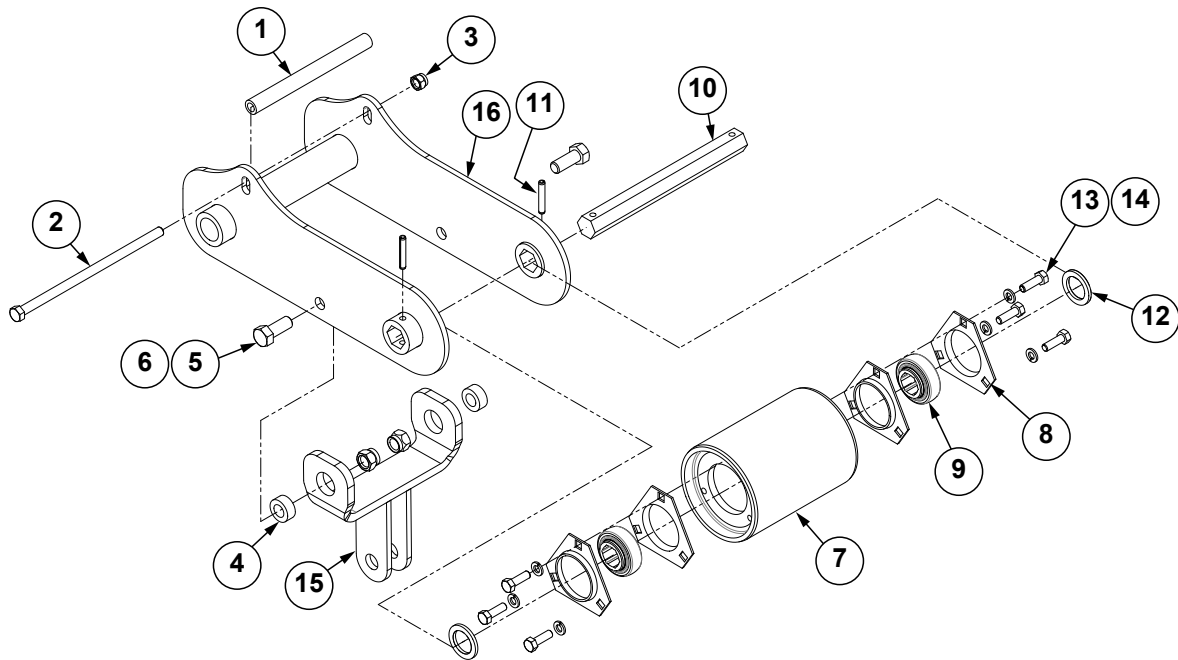


ITEM	PART NO.	QTY.	DESCRIPTION
1	G10533501	1	Auger Drive
2	GA16226	1	Cylinder Support
3	GA17092	1	Belt Alignment Bracket
4	GD23866	1	Pivot Shaft
5	G10714201	1	<a href="#">See "Idler Arm Assembly" on page P10</a>
6	GA9616	1	<a href="#">See "Horizontal Auger Drive (Idler) Cylinder" on page P112</a>
7	G10794101	1	Clevis Slide
8	GB0218	2	Bushing, 2 <sup>1</sup> / <sub>32</sub> " I.D. x 7/8" O.D. x 1 <sup>9</sup> / <sub>32</sub> " Long
9	GD24851	2	Indicator Link
10	GD14610	1	Bushing, 7/8" x 2 <sup>7</sup> / <sub>16</sub> "
11	GB0378	1	Stop Bracket
12	GD24761	2	Compression Spring
13	GD23511	1	Pulley, 9 <sup>1</sup> / <sub>4</sub> ", 8 Groove
14	GD23513	1	Bushing, 2" I.D.
	G11737	3	Hex Head Cap Screw, 5/16"-12 x 3 <sup>1</sup> / <sub>2</sub> ", Grade 5
15	GD13088	1	Key, 1/2" x 1/2" x 3 <sup>1</sup> / <sub>2</sub> "
16	GD24033	1	Lower Pulley Shaft
17	GA16238	1	Transfer Rotate Support
18	GA16234	1	Upper Pulley Shaft
19	GD23512	1	Bushing, 2" I.D.
	G11028	-	Hex Head Cap Screw, 5/8"-11 x 4 <sup>1</sup> / <sub>2</sub> "
20	GD23510	1	Pulley, 18 <sup>2</sup> / <sub>3</sub> ", 8 Groove
21	GD13677	1	Key, 1/2" x 1/2" x 4 <sup>1</sup> / <sub>2</sub> "
22	GD23580	1	Belt Slide
23	GA16233	1	V-Belt Set
24	GA16225	1	Shaft Alignment Plate
25	GA16231	1	Pulley Support
26	GD21206	1	Transfer Rotate Bearing
27	GA16230	1	Pulley Support
28	GA16235	1	Upper Cover
29	GA16243	1	Indicator
30	GD5900-29	1	Sleeve, 1 <sup>1</sup> / <sub>2</sub> " O.D x 1.015" I.D x 1 <sup>1</sup> / <sub>4</sub> "
31	G11391	14	Flat Washer, 5/8" SAE
32	G10743	1	Hex Head Cap Screw, 5/8"-11 x 3 <sup>3</sup> / <sub>4</sub> "
33	G10107	2	Lock Nut, 5/8"-11
34	G10036	1	Hex Head Cap Screw, 5/8"-11 x 4"
35	G10599	4	Carriage Bolt, 3/8"-16 x 1 <sup>1</sup> / <sub>4</sub> "
36	G10108	2	Lock Nut, 3/8"-16
37	G10085	1	Hex Head Cap Screw, 3/4"-10 x 3 <sup>3</sup> / <sub>4</sub> "
38	G10112	1	Lock Nut, 3/4"-10
39	G11124	4	Hex Serrated Flange Cap Screw, 3/8"-16 x 1"
40	G10233	3	Machine Bushing, 1 <sup>1</sup> / <sub>2</sub> " x 1/32", 10 Gauge (.1345")
41	G10730	2	Lock Nut W/Nylon Insert, 5/8"-11
42	G10011	2	Hex Head Cap Screw, 5/8"-11 x 5 <sup>1</sup> / <sub>2</sub> "
43	G10453	2	Cotter Pin, 3/16" x 1"
44	G10622	4	Serrated Flange Nut, 3/8"-16
45	G11271	19	Hex Socket Flange Cap Screw, 1/2"-13 x 1 <sup>1</sup> / <sub>4</sub> "
46	G10638	1	Hex Head Cap Screw, 1/4"-20 x 2"
47	G10110	1	Lock Nut, 1/4"-20, Grade B
48	G11480	3	Hex Socket Flange Cap Screw, 5/16"-18 x 1"
49	G10581	16	Hex Head Cap Screw, 1/2"-13 x 2 <sup>1</sup> / <sub>4</sub> "
50	G10111	16	Lock Nut, 1/2"-13

---

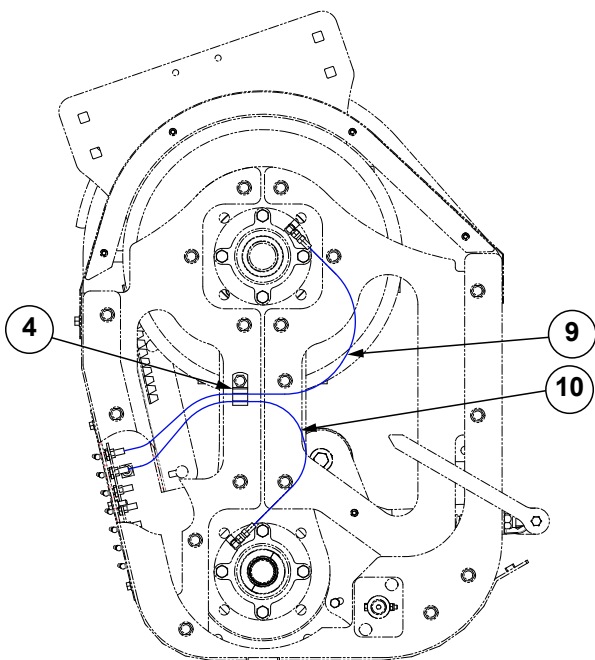
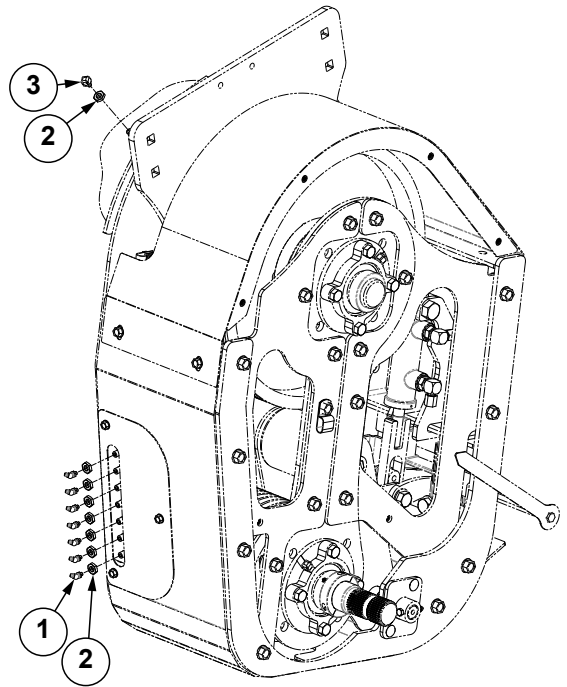
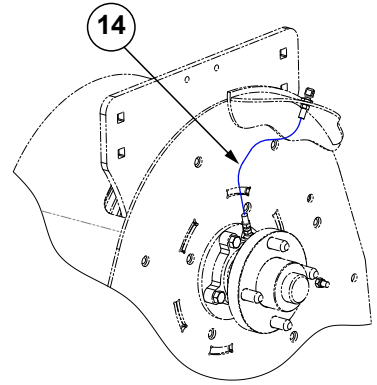
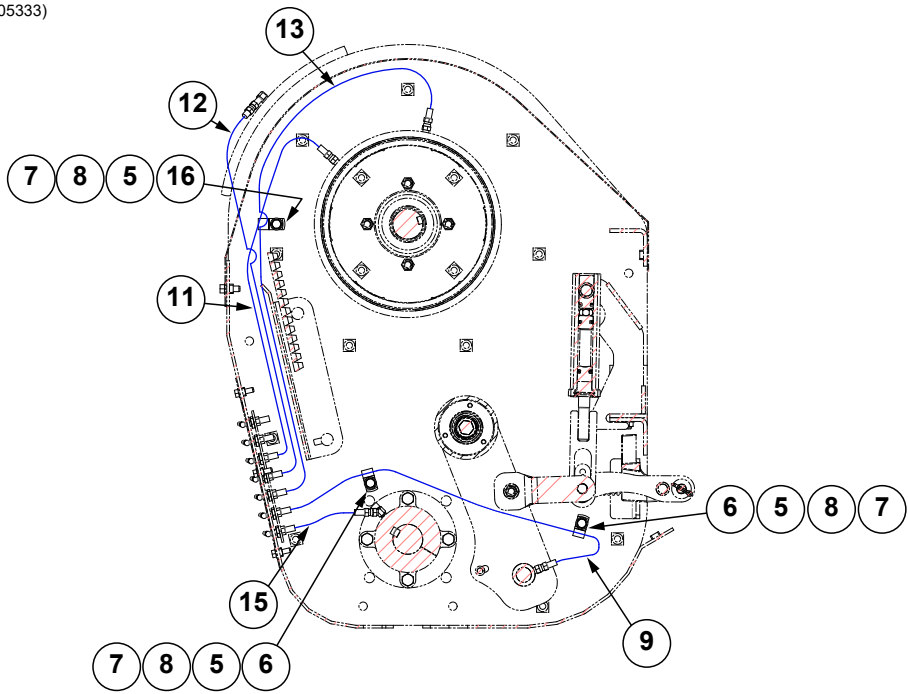
ITEM	PART NO.	QTY.	DESCRIPTION
51	GA22936 G11725	1 -	2" 4 Bolt Flange Bearing W/45° Grease Zerk Grease Fitting, 45°, 1/4"-28
52	G10989401 G10643	2 1	2" 4 Bolt Flange Bearing W/90° Grease Zerk Grease Fitting, 45°, 1/4"-28
53	GD34128	1	Spacer Ring
54	GD25306	2	Clamp Collar, 2"
55	GA23098	1	Clamp Collar, 1 3/4"
56	G10531201	1	Site Shield Plate
57	G10533301	1	Auger Drive Grease Hose Assembly
58	*A1132	2	Hose Assembly, 1/4" x 44" (06F - 06F)

(107142)



ITEM	PART NO.	QTY.	DESCRIPTION
1	GD2971-13	1	Sleeve, 6 9/16" Long
2	G10686	1	Hex Head Cap Screw, 3/8"-16 x 8"
3	G10108	1	Lock Nut, 3/8"-16
4	GD7889	2	Bushing, 1" O.D. x 9/16" I.D. x 7/16" Long
5	G10037	2	Hex Head Cap Screw, 1/2"-13 X 1 1/4"
6	G10111	2	Lock Nut, 1/2"-13
7	GB0338	1	Idler
8	G3400-01	4	Flangette
9	GA9357	2	Bearing, 7/8" Hex, Single Lip
10	GD13763	1	Hex Shaft, 7/8" x 8 5/8" (2 Holes)
11	G10602	2	Spring Pin, 1/4" x 1 1/2"
12	G10233	2	Machine Bushing, 1 1/2" x 1/2", 10 Gauge (.1345")
13	G10019	6	Hex Head Cap Screw, 5/16"-18 x 1"
14	G10232	6	Lock Washer, 5/16"
15	G10714101	1	Inner Link
16	GA16228	1	Idler Arm
A	G10714201	1	Idler Arm Assembly (Items 1-16)

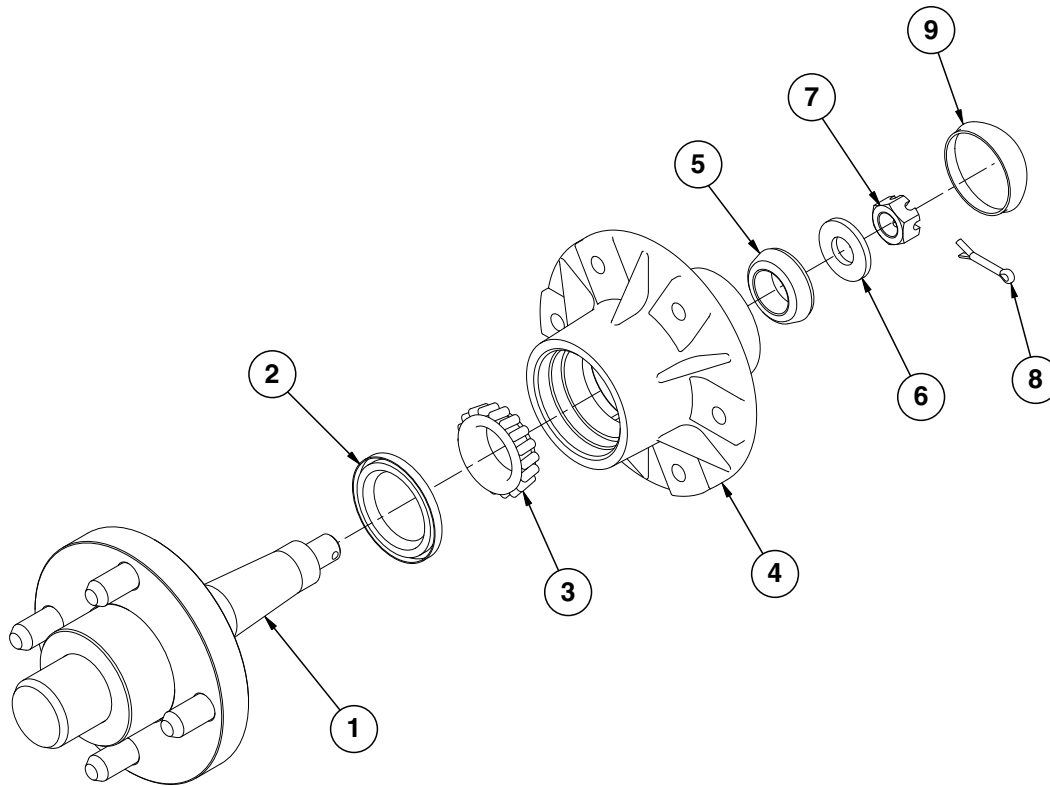
(105333)



ITEM	PART NO.	QTY.	DESCRIPTION
1	G10643	7	Grease Fitting, 45°, ¼"-28
2	G11094	8	Lock Nut, ½" NPT, Brass
3	G11558	1	Adapter, ¼"-28 x ½ NPTF
4	GD36998	1	Double Tube Insulated Clamp
5	G11387	3	Flat Washer, ¾" SAE
6	GD6291	2	Insulated Clamp, ¾"
7	G10328	3	Hex Head Cap Screw, ¾"-16 x ½"
8	G10229	3	Lock Washer, ¾"
9	*A27240-35	2	Grease Hose Assembly, 35" (½ NPTM x ½ NPSM Bulkhead)
10	*A27240-31	1	Grease Hose Assembly, 31" (½ NPTM x ½ NPSM Bulkhead)
11	*A27240-29	1	Grease Hose Assembly, 29" (½ NPTM x ½ NPSM Bulkhead)
12	*A27240-37	1	Grease Hose Assembly, 37" (½ NPTM x ½ NPSM Bulkhead)
13	*A27240-40	1	Grease Hose Assembly, 40" (½ NPTM x ½ NPSM Bulkhead)
14	*A18511	1	Grease Hose W/Zerk, ¾" x 12"
15	*A18512	1	Grease Hose W/Zerk, ¾" x 8"
16	GD13348	1	Insulated Clamp, 1½"

**\*Hydraulic hose is not stocked by Kinze Repair Parts.**

(IP1353)

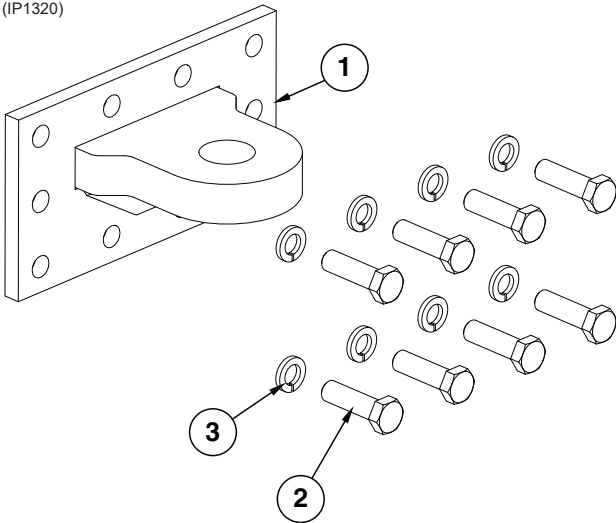


ITEM	PART NO.	QTY.	DESCRIPTION
1	GA15990	1	Rear Horizontal Auger Spindle
2	GA0239	1	Seal
3	GA0238	1	Bearing
4	GA9316 GR0189	1 -	Hub W/Cups Cup
5	GA0237	1	Bearing
6	G10224	1	Special Washer, 3/4", 7 Gauge (.1793")
7	G11897	1	Hex Nut, 3/4"-16, Grade 5
8	G10459	1	Cotter Pin, 3/16" x 1 1/2"
9	G2800-01	1	Cap
A	GA15991	-	Horizontal Auger Drive Hub, Rear (Items 1-9)



**This page left blank intentionally.**

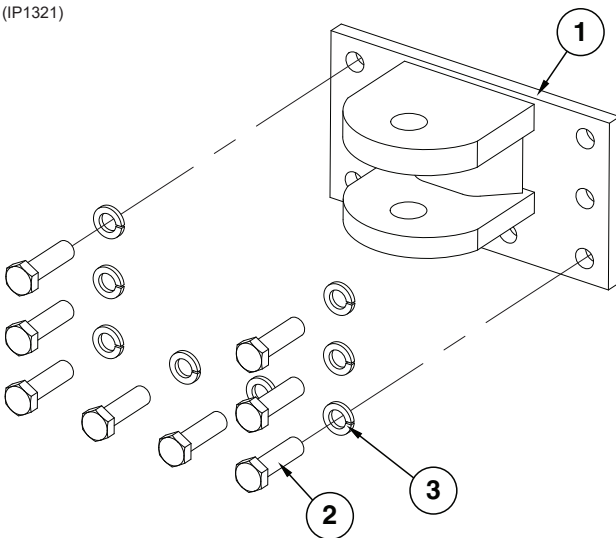
(IP1320)



Single Clevis Hitch

ITEM	PART NO.	QTY.	DESCRIPTION
1	GA7561	1	Hitch Cap, Single Clevis
2	G10441	8	Hex Head Cap Screw, 7/8"-9 x 3", Grade 8
3	G10330	8	Lock Washer, 7/8"

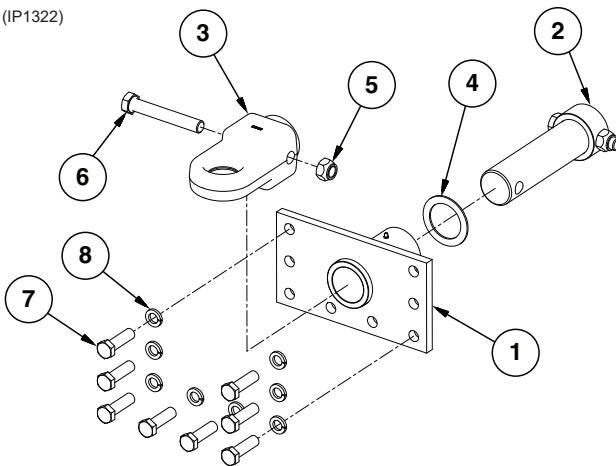
(IP1321)



Double Clevis Hitch

ITEM	PART NO.	QTY.	DESCRIPTION
1	GA4214	1	Hitch Cap, Double Clevis
2	G10441	8	Hex Head Cap Screw, 7/8"-9 x 3", Grade 8
3	G10330	8	Lock Washer, 7/8"

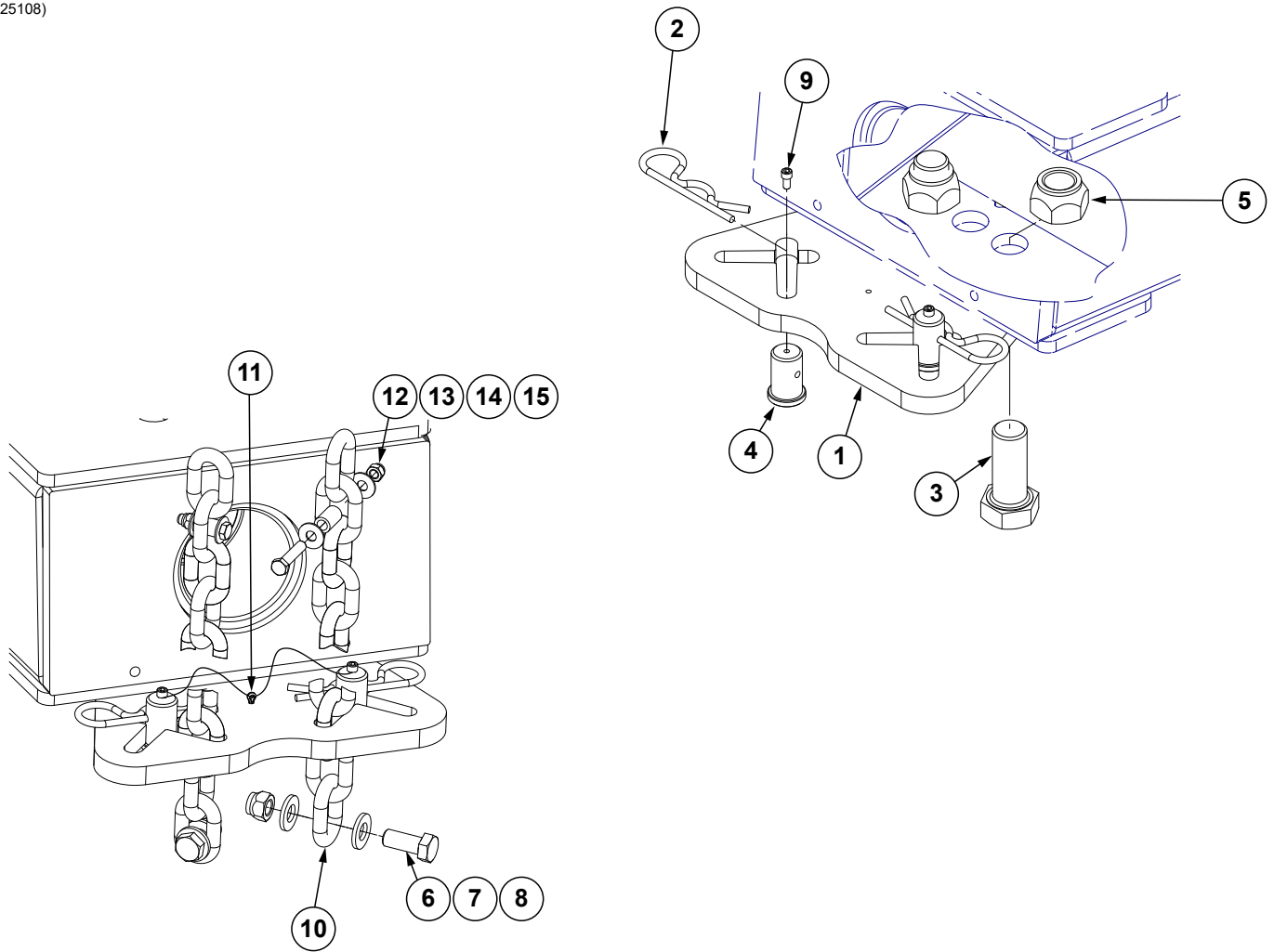
(IP1322)



Single Clevis Swivel Hitch

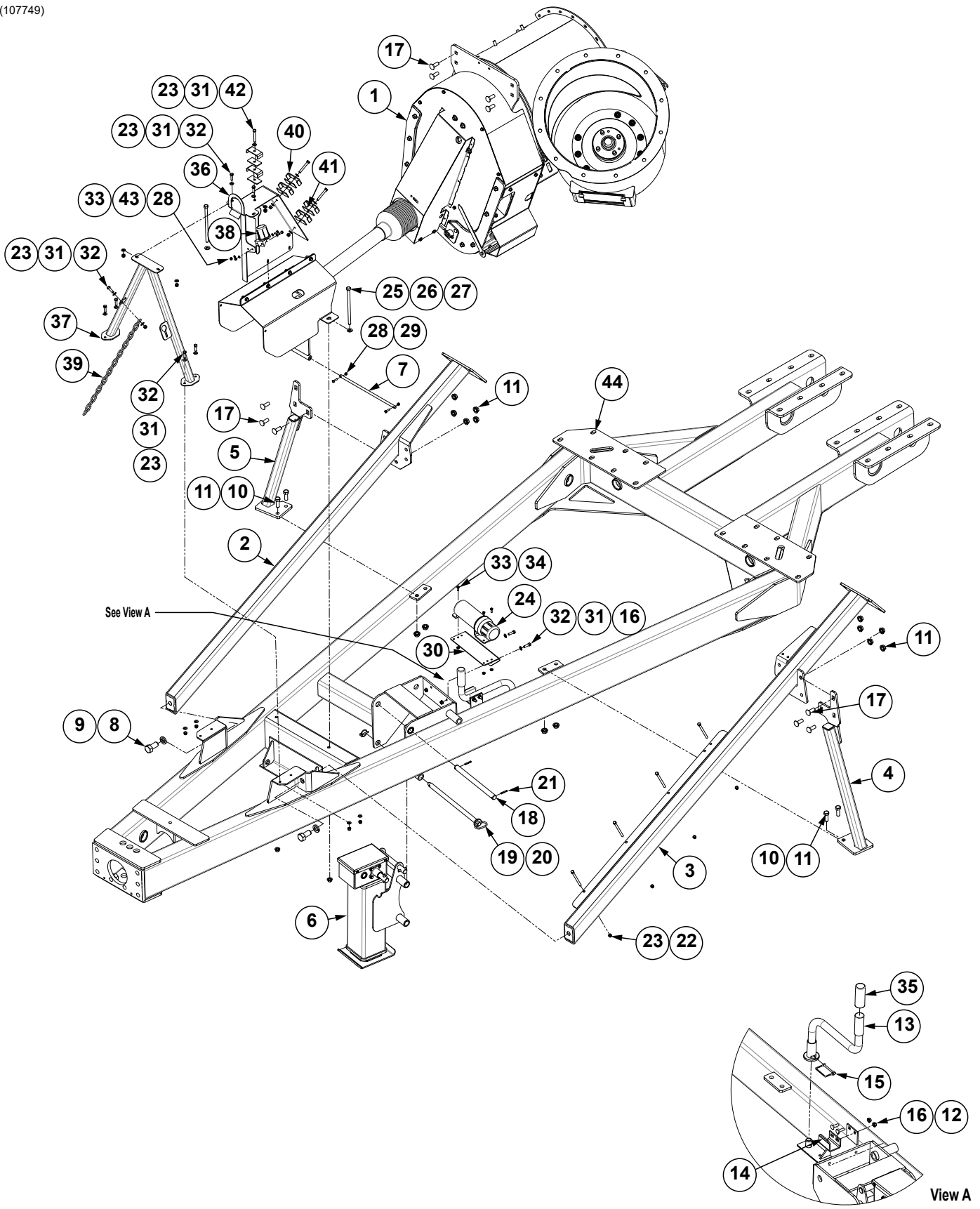
ITEM	PART NO.	QTY.	DESCRIPTION
1	GA17049	1	Swivel Hitch Plate
2	GA19446	1	Pin Assembly
3	G10834401 G10716801 G10716701	1	Ball Hitch Assembly CAT 4 Ball (Included W/G10834401) CAT 5 Ball
4	G11096	1	Machine Bushing, 3", 10 Gauge (.1345")
5	G10647	1	Hex Nut, 1"-8, Grade 8
6	G10488101	1	Hex Head Cap Screw, 1"-8 x 7", Grade 8
7	G10441	8	Hex Head Cap Screw, 7/8"-9 x 3", Grade 8
8	G10330	8	Lock Washer, 7/8"

(A25108)



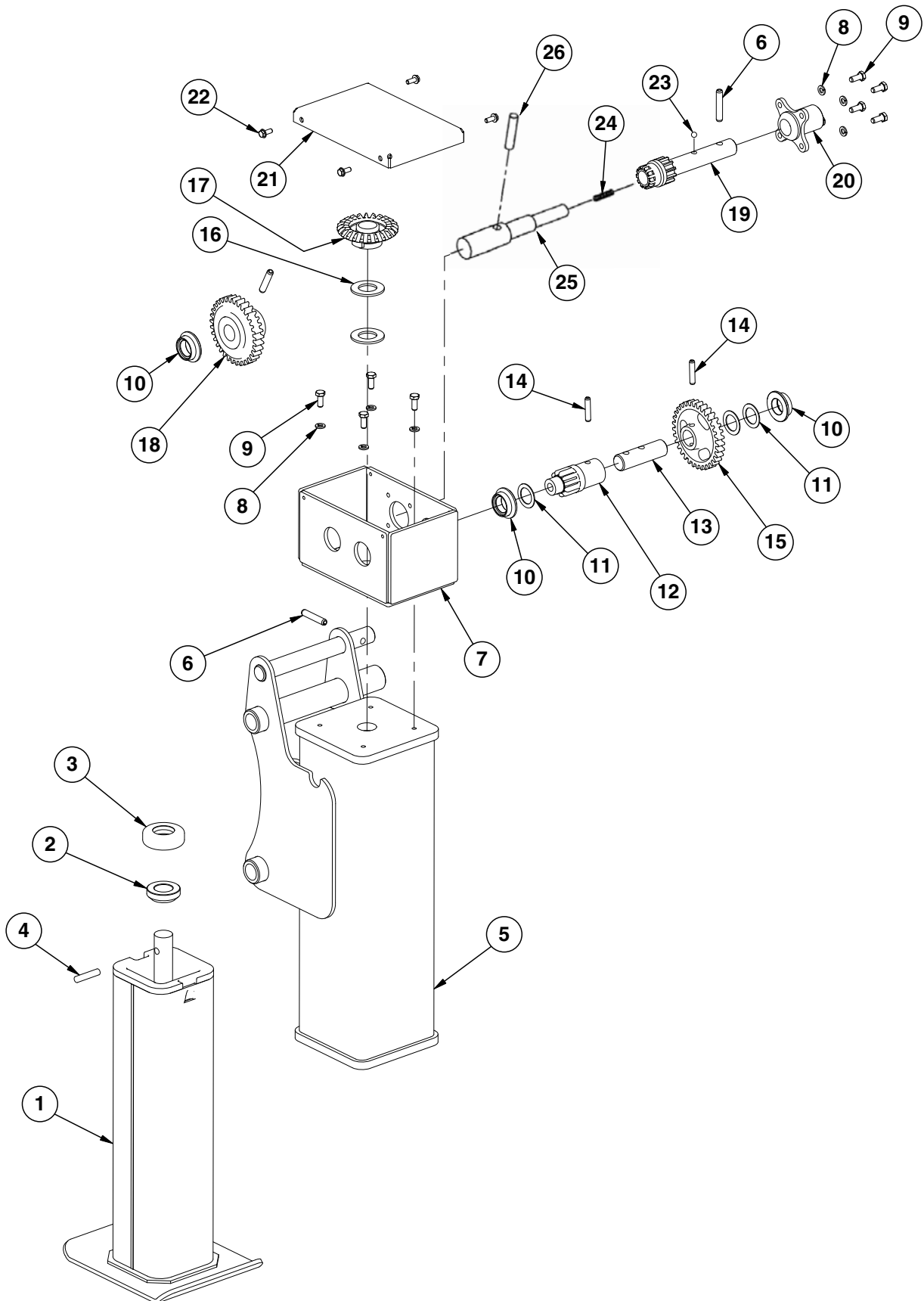
ITEM	PART NO.	QTY.	DESCRIPTION
1	GD35128	1	½" Double Chain Latch
2	G10671	2	Hairpin Cotter, ⅜" x 3¼"
3	G11058	2	Hex Head Cap Screw, 1¼"-7 x 3"
4	GD35129	2	Chain Latch Pin
5	G10157	2	Lock Nut, 1¼"-7
6	G10007	2	Hex Head Cap Screw, ⅝"-11 x 1½"
7	G11391	4	Flat Washer, ⅝" SAE
8	G10107	2	Lock Nut, ⅝"-11
9	G11874	2	Hex Socket Head Cap Screw, ¼"-20 x ½"
10	G3324-01	2	Safety Chain, 13MM Grade 70, 97½"
11	GD35201	1	Looped Tether W/Tabs and Cotter Pin
12	G10108	2	Lock Nut, ⅜"-16
13	GD8893-07	2	Sleeve, 1" Long
14	G10210	4	Washer, ⅜" USS
15	G10047	2	Hex Head Cap Screw, ⅜"-16 x 1¼"
A	G9940X	-	Double Safety Chain Package

(107749)



ITEM	PART NO.	QTY.	DESCRIPTION
1	---	---	<a href="#">See "Grain Transfer" on page P21</a>
2	GA16242	1	Front Support
3	GA16241	1	Front Support
4	GA16239	1	Grain Transfer Support
5	GA16240	1	Grain Transfer Support
6	---	1	<a href="#">See "Jack Assembly" on page P19</a>
7	GD23894	1	Front Bearing Mount Pin
8	G11223	2	Hex Head Cap Screw, 1"-8 x 2"
9	G11394	2	Flat Washer, 1" SAE
10	G10005	4	Hex Head Cap Screw, 5/8"-11 x 1 3/4"
11	G11415	14	Serrated Flange Nut, 5/8"-11
12	G10599	2	Carriage Bolt, 3/8"-16 x 1 1/4"
13	GA17046	1	Jack Handle
14	GD13755	1	Handle Holder
15	GD10705	1	Locking Clip Pin, 1/4" x 2 1/2"
16	G11091	4	Serrated Flange Nut, 3/8"-16
17	G11084	10	Carriage Bolt, 5/8"-11 x 1 3/4"
18	GD24127	1	Jack Pin
19	GA17645	1	Cart Jack Pin
20	GD2558	1	Lynch Pin, 1/4"
21	G10602	2	Spring Pin, 1/4" x 1 1/2"
22	G10172	4	Hex Head Cap Screw, 3/8"-16 x 5"
23	G10108	14	Lock Nut, 3/8"-16
24	GA15422	1	Operator's Manual Canister
25	G10909	2	Hex Head Cap Screw, 1/2"-13 x 9"
26	G11389	2	Flat Washer, 1/2" Plated SAE
27	G10071	2	Serrated Flange Nut, 1/2"-13
28	G10110	4	Lock Nut, 1/4"-20, Grade B
29	G10064	2	Hex Head Cap Screw, 1/4"-20 x 1"
30	GD29638	1	Canister Mount Bracket
31	G11387	22	Flat Washer, 3/8" SAE
32	G10004	9	Hex Head Cap Screw, 3/8"-16 x 1 1/4"
33	G10023	5	Hex Head Cap Screw, 1/4"-20 x 3/4"
34	G10621	3	Serrated Flange Nut, 1/4"-20
35	G11012	1	Black Protective Cover, 1 1/2" x 4"
36	G10494601	1	Hose Guide
37	G10526001	1	Hose Stand Brace
38	GD33707	1	Plug Protector
39	G10555101	1	PTO Retaining Chain
40	G10534201	6	Hose Clamp
41	G10534101	6	Hose Clamp Pad
42	G10325	3	Hex Head Cap Screw, 3/8"-16 x 2 3/4"
43	G11328	4	Washer, 1/4"
44	G10525801	1	Cart Hitch, 1421 and 1521
	G10561201	-	Cart Hitch, 1321
	G10561301	-	Cart Hitch, 1721

(IP1335)



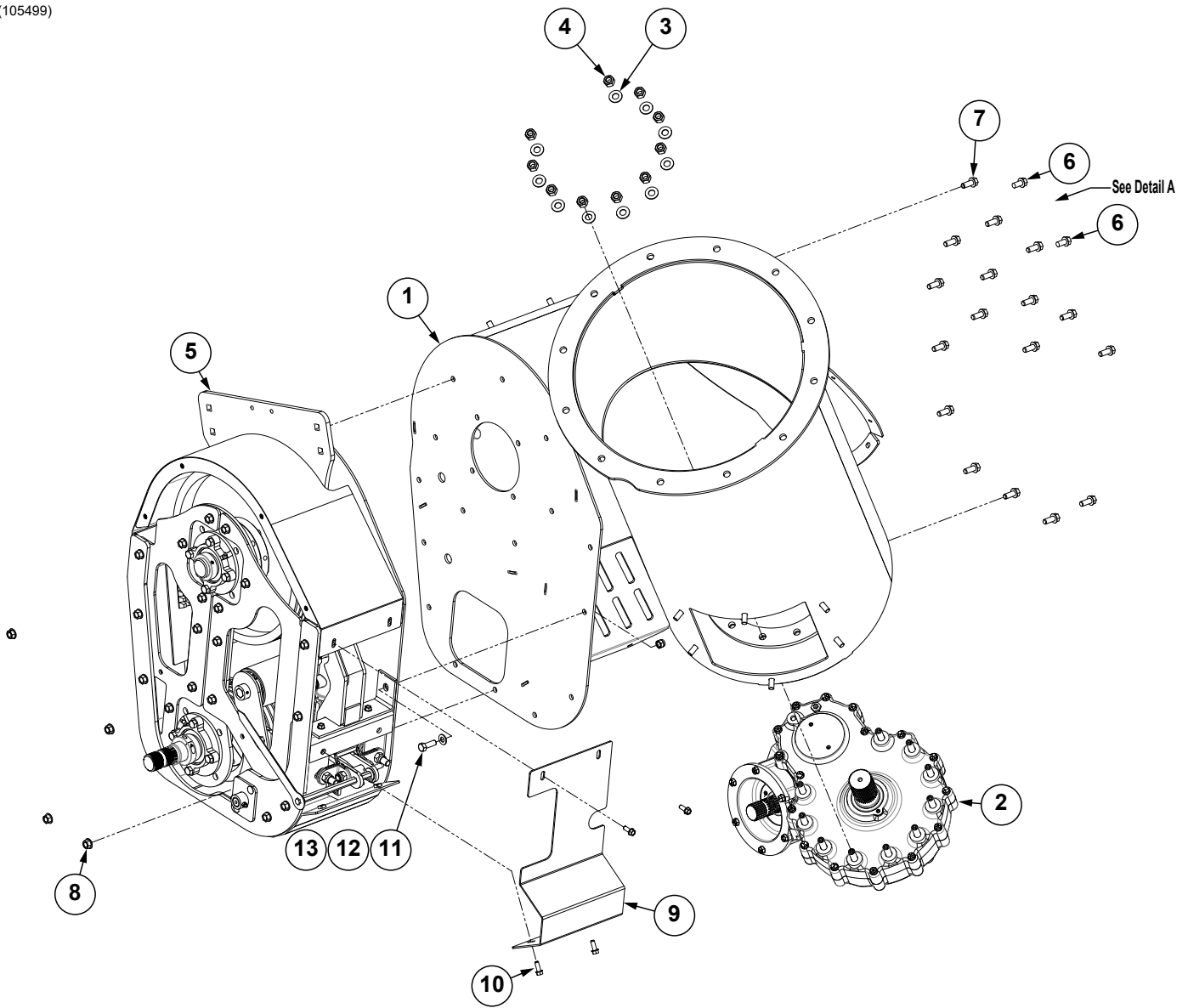
ITEM	PART NO.	QTY.	DESCRIPTION
1	GA17051	1	Lower Leg
2	GD13598	1	Collar
3	GA9665	1	Thrust Bearing
4	G10840	1	Dowel Pin, 3/8" x 1 3/4"
5	GA17052	1	Top Leg
6	G10610	2	Spring Pin, 3/8" x 2
7	GA17053	1	Gearbox
8	G10232	8	Lock Washer, 5/16"
9	G10043	8	Hex Head Cap Screw, 5/16"-18 x 3/4"
10	GD13604	3	Bushing
11	G11032	3	Bushing, 1 1/2" O.D. x 1.015 I.D.
12	GD13605	1	Output Spur Gear
13	GD13608	1	Output Shaft
14	G11031	2	Spring Pin, 5/16" x 1 1/2"
15	GD13606	1	Input Spur Gear
16	GD13600	2	Thrust Washer
17	GD13601	1	Bevel Gear
18	GD13602	1	Output Cluster Gear
19	GD13698	1	Input Shaft
20	GA14992	1	Shifter Housing
21	GD25067	1	Cap
22	G10960	4	Hex Non-Serrated Flange Cap Screw, 1/4"-20 x 5/8", Grade 5
23	GD13609	1	Detent Ball
24	GD13610	1	Detent Spring
25	GD13603	1	Output Shaft
26	G11030	1	Spring Pin, 3/8" x 1 3/4"
A	GA17044	-	Jack Complete (Items 1-26)





ITEM	PART NO.	QTY.	DESCRIPTION
1	---	1	<a href="#">See "Front Lower Housing" on page P23</a>
2	GA14568	1	Auger Drive Lug
3	GA16215	1	PTO Bearing Mount
4	GA19119 G11558	1 -	Flange Bearing W/Fitting Adapter, ¼"-28 x ⅛" NPTF
5	GA16263	1	<a href="#">See "Intermediate Drive Line" on page P5.</a>
6	GA16247	1	Lower Shield
7	GA16669	1	Lower Knuckle Cover
8	GA21315	1	Front Cover
9	GA15899	1	<a href="#">See "PTO Assembly - 1¾"-20 Spline Yoke, Grain Transfer" on page P4</a>
10	G10527001	1	PTO Cover Plate
11	GD24516	1	PTO Cover Plate
12	G11387	15	Flat Washer, ⅜" SAE
13	G10108	4	Lock Nut, ⅜"-16
14	G10001	7	Hex Head Cap Screw, ⅜"-16 x 1"
15	GD26752	1	Grease Zerk Mount Plate
16	G10004	6	Hex Head Cap Screw, ⅜"-16 x 1¼"
17	GA18513	1	Grease Hose W/Zerk, ⅜" x 6"
18	G11094	1	Lock Nut, ⅛" NPT, Brass
19	G11162	4	Carriage Bolt, ½"-13 x 1¾"
20	G10071	4	Serrated Flange Nut, ½"-13
21	G11091	2	Serrated Flange Nut, ⅜"-16
22	G11386	10	Flat Washer, ⅝" SAE
23	G10043	6	Hex Head Cap Screw, 5/16"-18 x ¾"
24	G10054	4	Hex Head Cap Screw, ⅝"-18 x ¾"

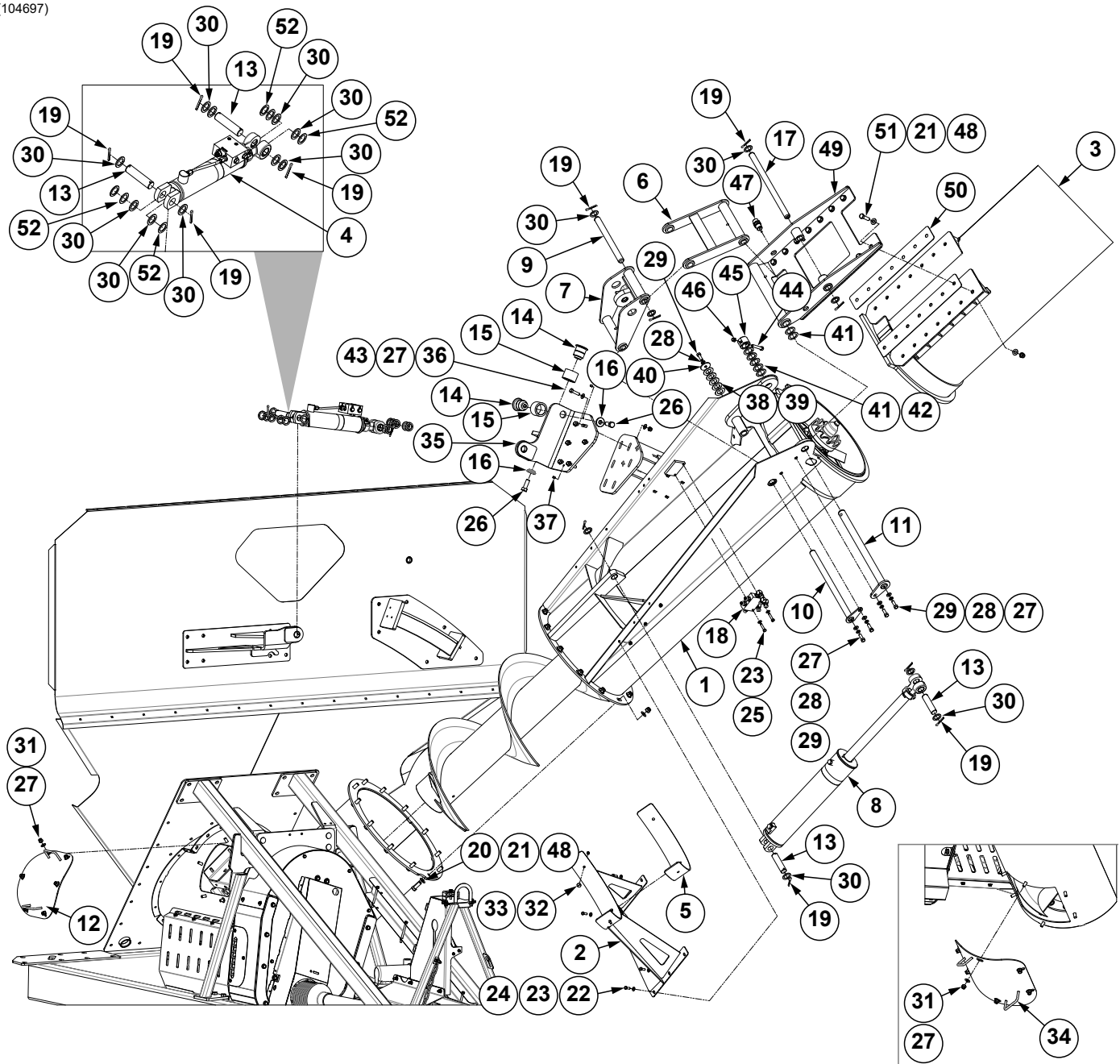
(105499)



ITEM	PART NO.	QTY.	DESCRIPTION
1	GA25119	1	Outer Grain Transfer
2	GA16008	1	<a href="#">See "Gearbox" on page P6</a>
3	G11391	10	Flat Washer, 5/8" SAE
4	G11490	10	Hex Nut, 5/8"-11, Grade 8
5	---	---	<a href="#">See "V-Belt Idler Assembly" on page P9.</a>
6	G11413	2	Hex Socket Flange Cap Screw, 1/2"-13 x 1", Grade 5
7	G11271	17	Hex Socket Flange Cap Screw, 1/2"-13 x 1 1/4"
8	G10071	4	Serrated Flange Nut, 1/2"-13
9	GD23890	1	Idler Sheild
10	G11124	4	Hex Serrated Flange Cap Screw, 3/8"-16 x 1"
11	G10017	1	Hex Head Cap Screw, 1/2"-13 x 1 1/2"
12	G11389	1	Flat Washer, 1/2" Plated SAE
13	G10111	1	Lock Nut, 1/2"-13

**This page left blank intentionally.**

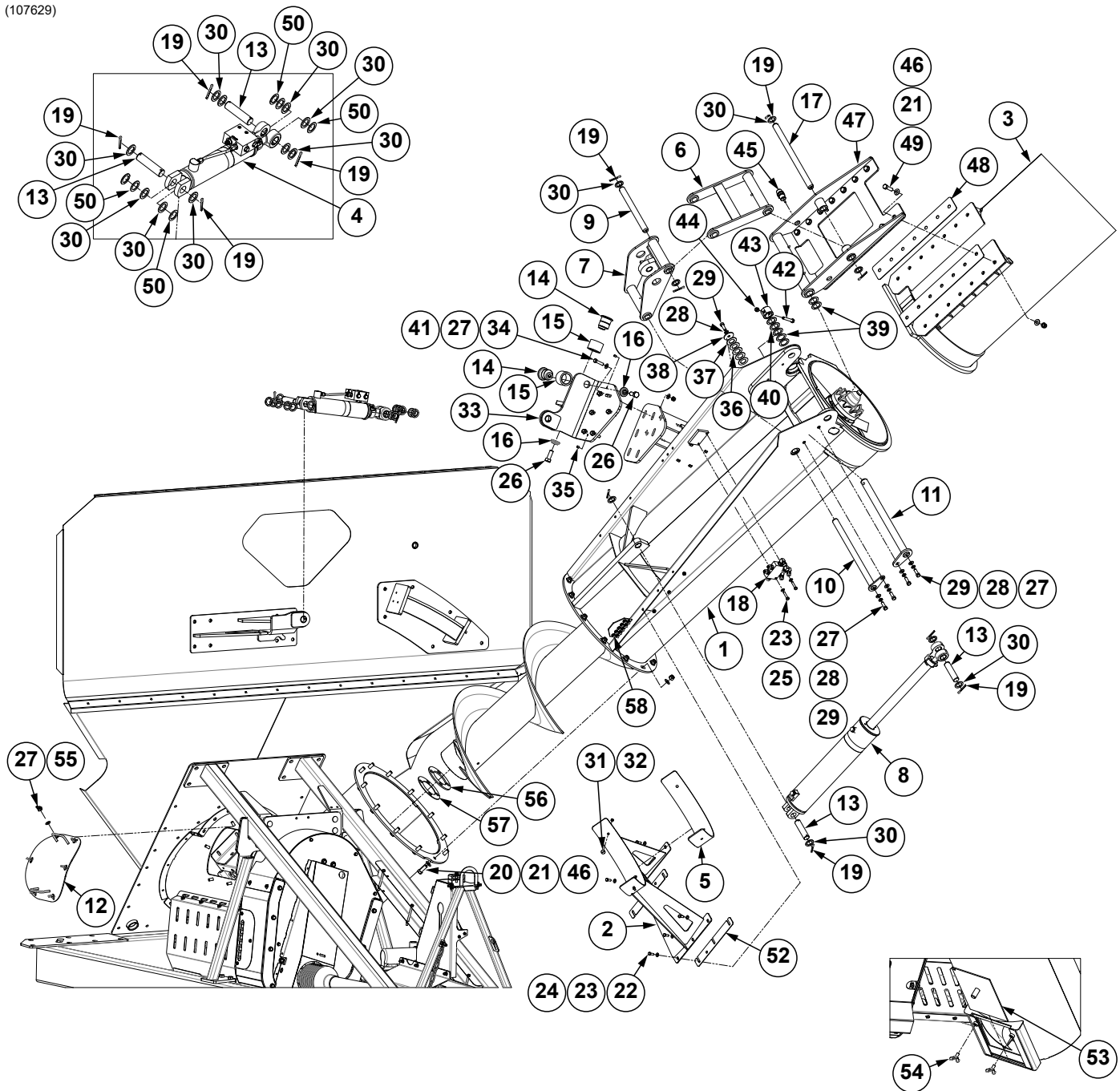
(104697)



ITEM	PART NO.	QTY.	DESCRIPTION
1	---	1	<a href="#">See "Lower Vertical Auger Sub Assembly" on page P31</a>
2	GA16023	1	Auger Transport Mount
3	---	1	<a href="#">See "Upper Vertical Auger Assembly" on page P29</a>
4	GA16134	1	<a href="#">See "Auger Rotate Cylinder" on page P109</a>
5	GD22585	1	Auger Transport Pad
6	GA9257 G10640	1	Upper Link W/Grease Fitting, 11 <sup>7</sup> / <sub>8</sub> " x 15 <sup>7</sup> / <sub>8</sub> " Grease Fitting, 1/4"-28
7	GA9256 G10640	1	Lower Link W/Grease Fittings And Spring Bushing, 9 <sup>1</sup> / <sub>2</sub> " x 17 <sup>3</sup> / <sub>4</sub> " Grease Fitting, 1/4"-28
8	GA20808	1	<a href="#">See "Vertical Auger Cylinder" on page P111</a>

ITEM	PART NO.	QTY.	DESCRIPTION
9	GD13736	1	Pin, 1¼" x 13⅝"
10	GA16080	1	Auger Pin
11	GA18028	1	Auger Pivot Pin
12	GA16024	1	Grain Transfer Cover
13	GD6136	4	Pin, 1¼" x 5"
14	GA6497 G10640	2	Cam Follower W/Grease Fitting Grease Fitting, ¼"-28
15	GD10532	2	Sleeve
16	GB0409	2	Spring Washer
17	GD23211	1	Upper Link Pin
18	---	1	<a href="#">See "Counterbalance Valve Block" on page P113</a>
19	G10460	12	Cotter Pin, ¼" x 2"
20	G10005	12	Hex Head Cap Screw, ⅝"-11 x 1¾"
21	G11391	52	Flat Washer, ⅝" SAE
22	G10001	6	Hex Head Cap Screw, ⅜"-16 x 1"
23	G11387	8	Flat Washer, ⅜" SAE
24	G11091	6	Serrated Flange Nut, ⅜"-16
25	G10047	2	Hex Head Cap Screw, ⅜"-16 x 1¾"
26	G10026	2	Hex Head Cap Screw, ¼"-10 x 2"
27	G11389	28	Flat Washer, ½" Plated SAE
28	G10228	5	Lock Washer, ½"
29	G10017	5	Hex Head Cap Screw, ½"-13 x 1½"
30	G10159	18	Washer, 1⅞", 10 Gauge (.1345")
31	G10974	12	Lock Nut W/Nylon Insert, ½"-13
32	G11272	3	Serrated Flange Head Elevator Bolt, ⅝"-18 x 1¼"
33	G10109	3	Lock Nut, ⅝"-18
34	GA16025	1	Vertical Cleanout
35	GA25096	1	Cam Roller Mount
36	G11513	6	Hex Head Cap Screw, ½"-13 x 2"
37	G11512	2	Hex Set Screw, ⅜"-16 x ½"
38	G10322	3	Machine Bushing, 1¼", 18 Gauge (.0478")
39	G11530	2	Machine Bushing, 1½", 18 Gauge (.0478")
40	GD18828	1	Washer
41	G10450	5	Washer, 2¼", 18 Gauge (.0478")
42	G11531	2	Washer, 2¼", 12 Gauge (.1046")
43	G11511	6	Lock Nut, ½"-13
44	G10038	1	Hex Head Cap Screw, ½"-13 x 3"
45	GD26196	1	1½" Collar
46	G10111	1	Lock Nut, ½"-13
47	GD29033	1	Work Light Relay
48	G10107	26	Lock Nut, 5/8"-11
49	GA22299	1	Vertical Auger Pivot
50	GD31503	2	Auger Pivot Shim
51	G10006	14	Hex Head Cap Screw, ⅝"-11 x 2¼"
52	G11334	6	Washer, 1⅞", 14 Gauge (.0747")

(107629)



ITEM	PART NO.	QTY.	DESCRIPTION
1	---	1	<a href="#">See "Lower Vertical Auger Sub Assembly" on page P31</a>
2	G10747201	1	Auger Transport Mount
3	---	1	<a href="#">See "Upper Vertical Auger Assembly" on page P29</a>
4	GA16134	1	<a href="#">See "Auger Rotate Cylinder" on page P109</a>
5	GD22585	1	Auger Transport Pad
6	GA9257 G10640	1	Upper Link W/Grease Fitting, 11 $\frac{1}{8}$ " x 15 $\frac{1}{8}$ " Grease Fitting, $\frac{1}{4}$ "-28
7	G10794001	1	Bottom Auger Link
8	GA20808	1	<a href="#">See "Vertical Auger Cylinder" on page P111</a>
9	GD13736	1	Pin, 1 $\frac{1}{4}$ " x 13 $\frac{1}{8}$ "
10	GA16080	1	Auger Pin

## Vertical Auger Assembly (2023 Production and On)

M0316-02

Grain Cart

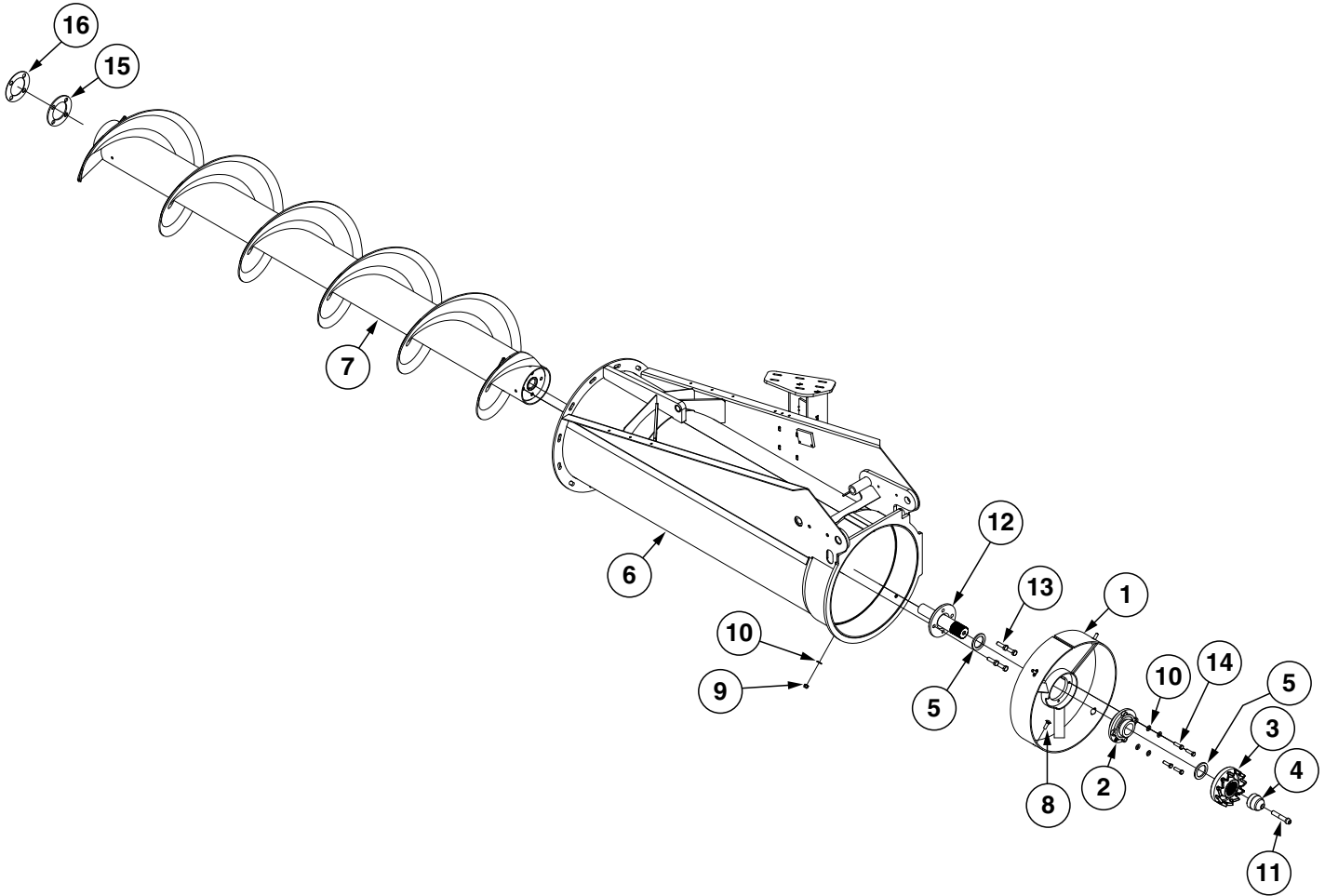
ITEM	PART NO.	QTY.	DESCRIPTION
11	GA18028	1	Auger Pivot Pin
12	GA16024	1	Grain Transfer Cover
13	GD6136	4	Pin, 1¼" x 5"
14	G10746901	2	Eccentric
15	GD10532	2	Sleeve
16	GB0409	2	Spring Washer
17	GD23211	1	Upper Link Pin
18	---	1	<a href="#">See "Counterbalance Valve Block" on page P113</a>
19	G10460	12	Cotter Pin, ¼" x 2"
20	G10005	12	Hex Head Cap Screw, ⅝"-11 x 1¾"
21	G11391	52	Flat Washer, ⅝" SAE
22	G10001	6	Hex Head Cap Screw, ⅜"-16 x 1"
23	G11387	8	Flat Washer, ⅜" SAE
24	G11091	6	Serrated Flange Nut, ⅜"-16
25	G10047	2	Hex Head Cap Screw, ⅜"-16 x 1¾"
26	G10026	2	Hex Head Cap Screw, ¾"-10 x 2"
27	G11389	22	Flat Washer, ½" Plated SAE
28	G10228	5	Lock Washer, ½"
29	G10017	5	Hex Head Cap Screw, ½"-13 x 1½"
30	G10159	18	Washer, 1⅞", 10 Gauge (.1345")
31	G11272	3	Serrated Flange Head Elevator Bolt, ⅝"-18 x 1¼"
32	G10109	3	Lock Nut, ⅝"-18
33	GA25096	1	Cam Roller Mount
34	G11513	6	Hex Head Cap Screw, ½"-13 x 2"
35	G11512	2	Hex Set Screw, ⅜"-16 x ½"
36	G10322	3	Machine Bushing, 1¼", 18 Gauge (.0478")
37	G11530	2	Machine Bushing, 1½", 18 Gauge (.0478")
38	GD18828	1	Washer
39	G10450	5	Washer, 2¼", 18 Gauge (.0478")
40	G11531	2	Washer, 2¼", 12 Gauge (.1046")
41	G11511	6	Lock Nut, ½"-13
42	G10038	1	Hex Head Cap Screw, ½"-13 x 3"
43	GD26196	1	1½" Collar
44	G10111	1	Lock Nut, ½"-13
45	GD29033	1	Work Light Relay
46	G10107	26	Lock Nut, ⅝"-11
47	GA22299	1	Vertical Auger Pivot
48	GD31503	2	Auger Pivot Shim
49	G10006	14	Hex Head Cap Screw, ⅝"-11 x 2¼"
50	G11334	6	Washer, 1⅞", 14 Gauge (.0747")
51	---	---	---
52	G10742901	2	Auger Saddle Shim
53	G10756801	1	Cleanout Door
54	G10544801	2	Thumbscrew, ⅓"-13
55	G10775001	6	Wing Nut, ½"-13
56	GD25033	1	Lower Auger Shim, ¼"
57	GD25034	1	Lower Auger Shim, 12 Gauge (.0146")
58	---	---	<a href="#">See "Vertical Auger Grease Hose Assembly" on page P105</a>





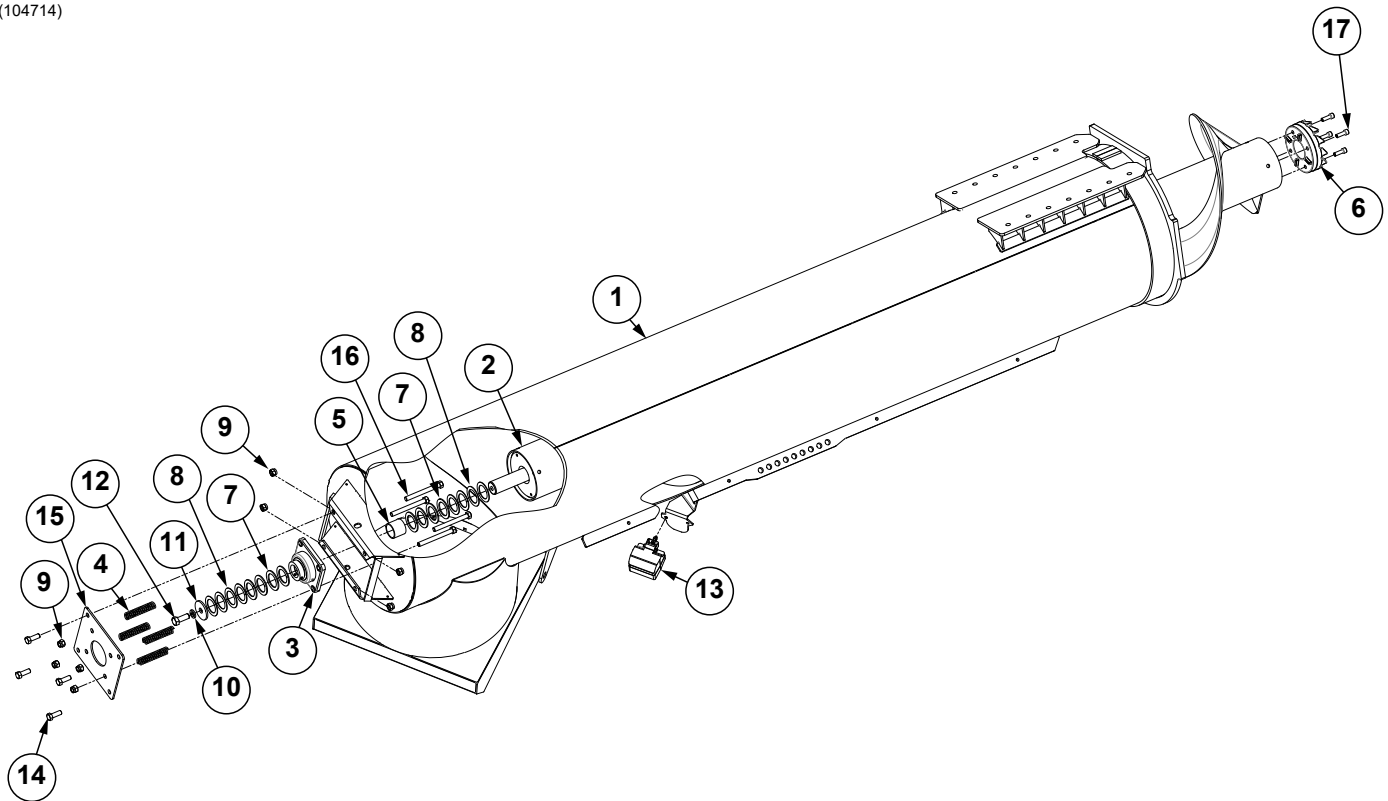
ITEM	PART NO.	QTY.	DESCRIPTION
1	---	1	<a href="#">See "Upper Vertical Auger Sub Assembly" on page P32</a>
2	G10531801	1	Auger Hood Flap
3	GA21166	1	<a href="#">See "Auger Discharge Hood Cylinder" on page P108</a>
4	G10530301	1	Upper Auger Hood
5	GA16001	1	Continuous Hinge
6	G10599	14	Carriage Bolt, 3/8"-16 x 1 1/4"
7	G11091	18	Serrated Flange Nut, 3/8"-16
8	GR0367	1	Pin, 1" x 2 7/8"
9	GR0193	3	Hair Pin Clip
10	6801-06-08 GR1037	2 -	Elbow W/O-Ring, 90°, 3/16"-18 Male JIC To 3/4"-16 O-Ring O-Ring
11	G10233	7	Machine Bushing, 1 1/2" x 1/2", 10 Gauge (.1345")
12	GD17161	4	Double Insulated Clamp
13	G10004	4	Hex Head Cap Screw, 3/8"-16 x 1 1/4"
14	G10531701	1	Auger Flap Strip
15	G10531601	1	Hinge Cover Flap
16	G10531901	1	Hinge Cover Strip

(A15994)



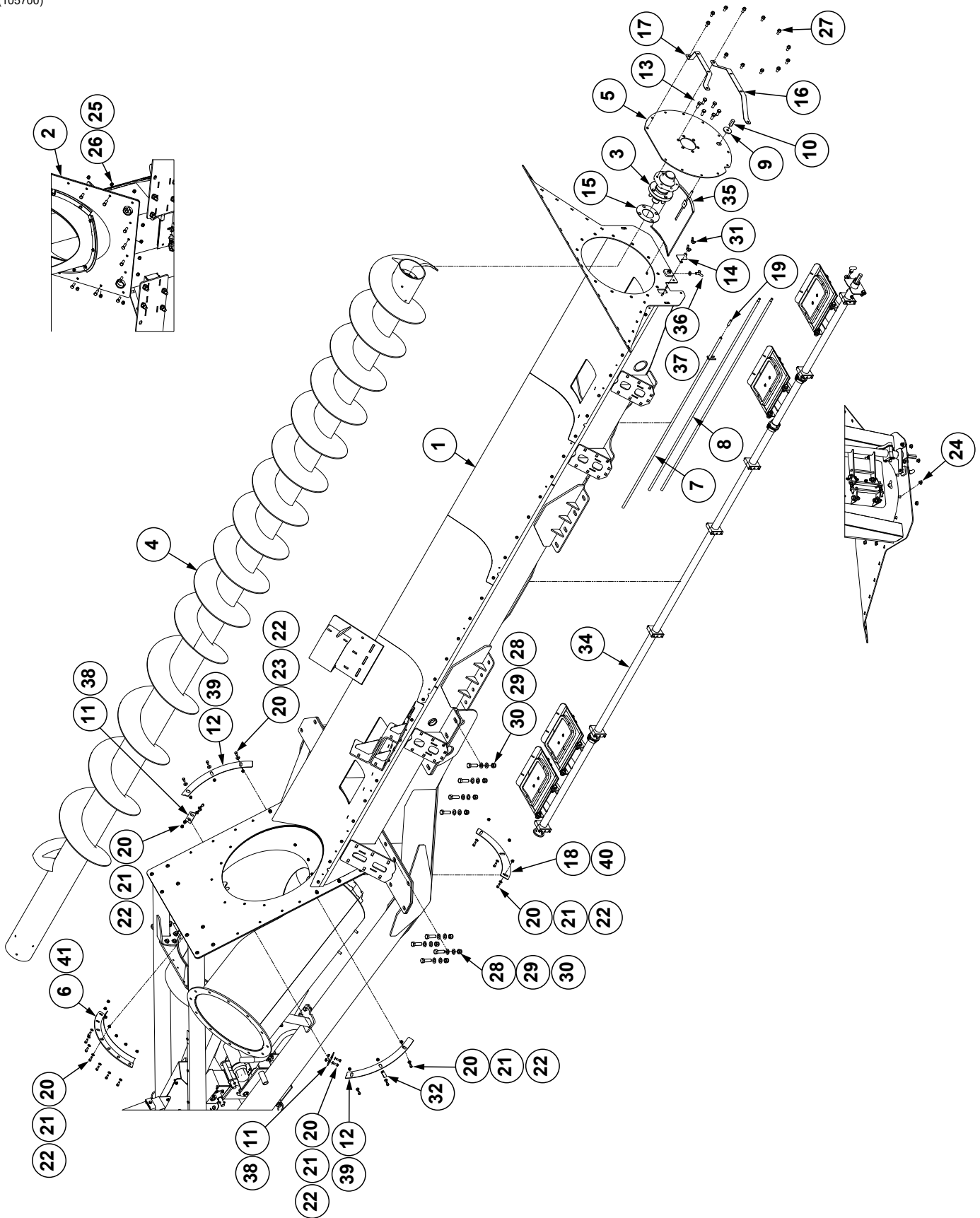
ITEM	PART NO.	QTY.	DESCRIPTION
1	GA18392	1	Vertical Auger Hanger (2022 Production)
	G10651801	1	Vertical Auger Hanger (2023 Production and On)
2	GA18517	1	4-Bolt Flange Bearing, 2 <sup>7</sup> / <sub>16</sub> "
3	GD29792	1	Lower Coupler
4	GD26892	1	Vertical Pilot Cone
5	GD29312	2	Coupler Washer
6	GA21414	1	Lower Auger Housing (2022 Production)
	G10652101	1	Lower Auger Housing (2023 Production and On)
7	G10550301	1	Lower Vertical Auger
8	G10636	4	Carriage Bolt, 1/2"-13 x 1 1/2"
9	G10111	4	Lock Nut, 1/2"-13
10	G11389	8	Flat Washer, 1/2" Plated SAE
11	GD25419	1	Hex Socket Head Cap Screw, 3/4"-10 x 4", Grade 5 (Modified)
12	GA18487	1	Lower Auger Spindle
13	G11174	4	Hex Head Cap Screw, 5/8"-11 x 2"
14	G10039	4	Hex Head Cap Screw, 1/2"-13 x 1 3/4"
15	GD25033	1	Lower Auger Shim, 1/4"
16	GD25034	1	Lower Auger Shim, 12 Gauge (.0146")

(104714)



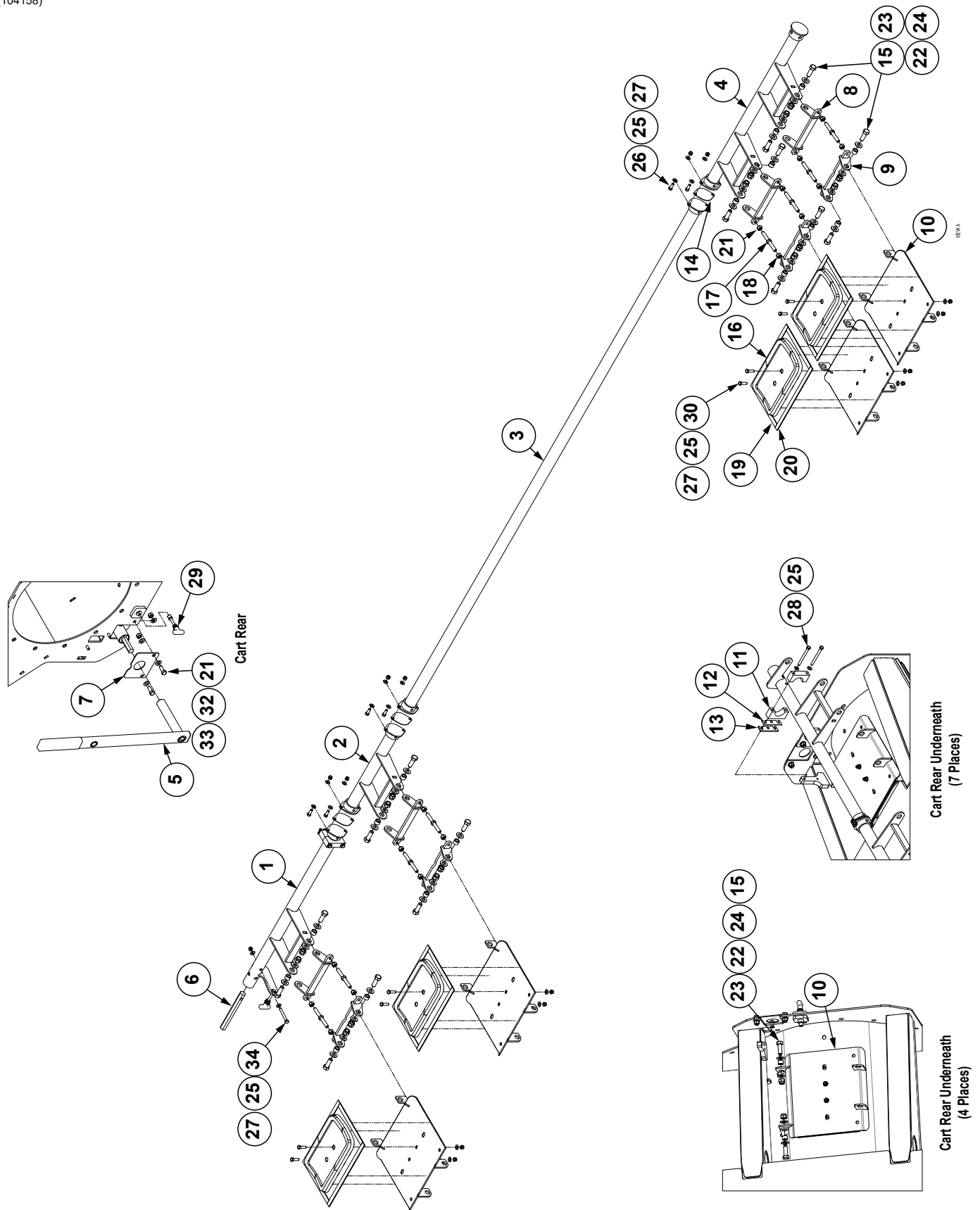
ITEM	PART NO.	QTY.	DESCRIPTION
1	G10468001	1	Upper Auger Housing
2	G10550401	1	Upper Vertical Auger
3	GA0449	1	Bearing W/Lock Collar, Set Screw And Grease Fitting, 2"
4	GD6433	4	Spring
5	GD3457-09	1	Sleeve, 2" x 2¼" Long
6	GD29793	1	Upper Coupler
7	G10234	8	Machine Bushing, 2½", 10 Gauge (.1345")
8	G10336	8	Machine Bushing, 2½", 14 Gauge (.0747")
9	G10107	8	Lock Nut, ⅝"-11
10	G10231	1	Lock Washer, ¾"
11	GD9592	1	Special Washer
12	G10026	1	Hex Head Cap Screw, ¾"-10 x 2"
13	GA15472	1	Work Light
14	G10005	4	Hex Head Cap Screw, ⅝"-11 x 1¾"
15	GD13778	1	Spring Plate
16	G10068	4	Hex Head Cap Screw, ⅝"-11 x 6"
17	G11559	4	Hex Socket Head Cap Screw, ½"-13 x 1½", Grade 8

(105700)



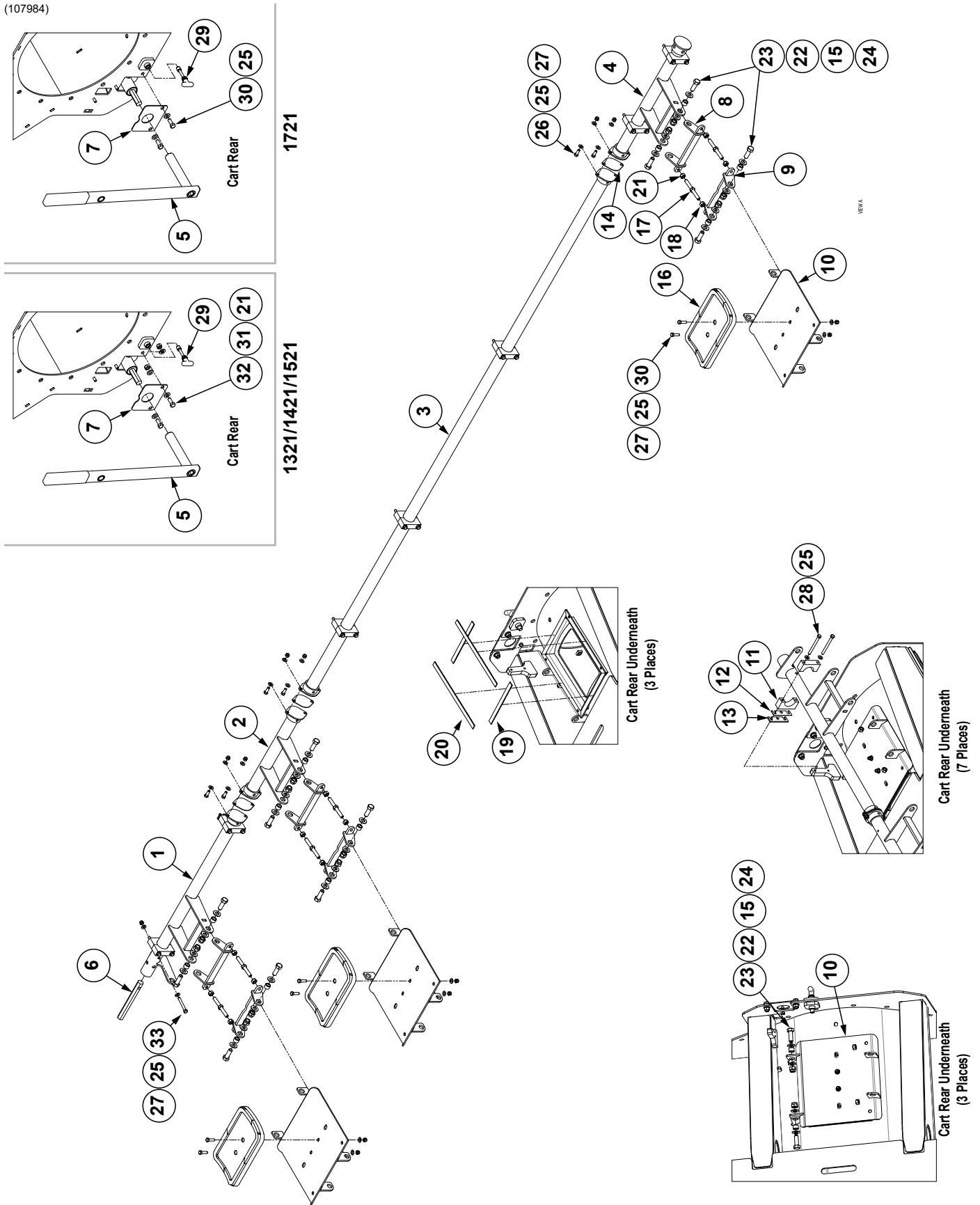
ITEM	PART NO.	QTY.	DESCRIPTION
1	G10419701	1	Frame, Flotation/Track (1321) <b>Non-Stock Item</b>
	G10798901	-	Frame, Flotation/Track (1421/1521) <b>Non-Stock Item</b>
	G11003901	-	Frame, Flotation/Track (1721) <b>Non-Stock Item</b>
2	---	1	<a href="#">See "Inner Grain Transfer" on page P39</a>
3	GA15991	1	<a href="#">See "Horizontal Auger Drive Hub Assembly" on page P13</a>
4	GA15984	1	Horizontal Auger (1421/1521)
	GA16196	1	Horizontal Auger (1321)
	GA16198	1	Horizontal Auger (1721)
5	GD23343	1	Rear Horizontal Auger Cover
6	GA17973	1	Upper Bolt Plate
7	GA16053	1	Cleanout Push Rod (1421/1521)
	GA16405	-	Cleanout Push Rod (1321)
	GA16275	-	Cleanout Push Rod (1721)
8	GA16054	2	Cleanout Push Rod Assembly (1421/1521)
	GA16403	-	Cleanout Push Rod Assembly (1321)
	GA16274	-	Cleanout Push Rod Assembly (1721)
9	GD13804	1	Slide Pan Washer
10	GD13805	1	Slide Pan Nut
11	GD26432	2	Bolt Plate
12	GD26428	2	Side Filler Bolt Plate
13	GR0270	6	Lug Bolt, 9/16"-18
14	GD23483	1	Storage Cover Plate
15	GD23893	1	Auger Shim
16	GD24836	1	Lower SMV Bracket
17	GD24835	1	Upper SMV Bracket
18	GD26430	1	Lower Filler Bolt Plate
19	G11051	1	Hex Socket Set Screw, 1/2"-13 X 2"
20	G10001	20	Hex Head Cap Screw, 3/8"-16 x 1"
21	G11387	17	Flat Washer, 3/8" SAE
22	G11091	20	Serrated Flange Nut, 3/8"-16
23	G10210	3	Washer, 3/8" USS
24	G10071	4	Serrated Flange Nut, 1 1/2"-13
25	G10017	10	Hex Head Cap Screw, 1/2"-13 x 1 1/2"
26	G10111	10	Lock Nut, 1/2"-13
27	G11413	12	Hex Socket Flange Cap Screw, 1/2"-13 x 1", Grade 5
28	G10027	24	Hex Head Cap Screw, 3/4"-10 x 2 1/2"
29	G11392	48	Flat Washer, 3/4" SAE
30	G10112	24	Lock Nut, 3/4"-10
31	G10163	2	Wing Nut, 3/8"-16
32	GD17161	1	Double Insulated Clamp
33	---	---	---
34	---	1	<a href="#">See "Cleanout Sweep Assembly" on page P38</a>
35	G10544201	1	Cleanout Sweep
36	G10544801	1	Thumbscrew, 1/3"-13
37	G11389	1	Flat Washer, 1/2" Plated SAE
38	GD26442-01	2	Grain Transfer Weather Strip, 3 3/4"
39	GD26442-02	2	Grain Transfer Weather Strip, 20 1/2"
40	GD26442-03	1	Grain Transfer Weather Strip, 19"
41	GD26441-01	1	Grain Transfer Weather Strip, 22"

(104158)



ITEM	PART NO.	QTY.	DESCRIPTION
1	G10410701	1	Torsion Rod A
2	G10411901	1	Torsion Rod B (1321)
	G10415301	-	Torsion Rod E (1421/1521)
	G10416901	-	Torsion Rod H (1721)
3	G10412001	1	Torsion Rod C (1321)
	G10415201	-	Torsion Rod F (1421/1521)
	G10548501	-	Torsion Rod N (1721)
4	G10412201	1	Torsion Rod D (1321)
	G10415601	-	Torsion Rod G (1421/1521)
	G10416801	-	Torsion Rod I (1721)
5	G10535501	1	Cleanout Bar Assembly
	GD11649		Boot (Included W/G10535501)
6	G10411001	1	Hex Shaft
7	G10542001	1	Rear Cover Sheet
8	G10413401	4	R.H. Turnbuckle
9	G10413301	4	L.H. Turnbuckle
10	G10413001	4	Dump Door
11	G10414501	14	Plastic Clamp
12	G10535701	7	Clamp Shim, 16 Gauge (.0598")
13	G10556701	7	Clamp Shim , 7 Gauge (.1793")
14	G10414401	3	Flange Shim
15	GB0218	24	Bushing, <sup>2</sup> / <sub>32</sub> " I.D. x <sup>7</sup> / <sub>8</sub> " O.D. x <sup>1</sup> / <sub>32</sub> " Long
16	G10599602	4	Cleanout Insert
17	G10414101	8	Rod Turnbuckle
18	G10415101	8	L.H. Hex Nut, <sup>1</sup> / <sub>2</sub> "-13, Grade 5
19	G10540203	8	Seal, <sup>3</sup> / <sub>4</sub> " x <sup>1</sup> / <sub>8</sub> " x 9 <sup>1</sup> / <sub>2</sub> "
20	G10540204	8	Seal, <sup>3</sup> / <sub>4</sub> " x <sup>1</sup> / <sub>8</sub> " x 15"
21	G10102	10	Hex Nut, <sup>1</sup> / <sub>2</sub> "-13
22	G11391	48	Flat Washer, <sup>5</sup> / <sub>8</sub> " SAE
23	G10005	24	Hex Head Cap Screw, <sup>5</sup> / <sub>8</sub> "-11 x 1 <sup>3</sup> / <sub>4</sub> "
24	G10107	24	Lock Nut, <sup>5</sup> / <sub>8</sub> "-11
25	G10203	36	Washer, <sup>3</sup> / <sub>8</sub> " SAE
26	G10001	6	Hex Head Cap Screw, <sup>3</sup> / <sub>8</sub> "-16 x 1"
27	G10108	15	Lock Nut, <sup>3</sup> / <sub>8</sub> "-16
28	G10634101	14	Hex Head Cap Screw, <sup>3</sup> / <sub>8</sub> "-16 x 4", Grade 5
29	G10644201	1	Twist to Lock Spring Plunger
30	G10004	8	Hex Head Cap Screw, <sup>3</sup> / <sub>8</sub> "-16 x 1 <sup>1</sup> / <sub>4</sub> "
31	---	---	---
32	G11389	4	Flat Washer, <sup>1</sup> / <sub>2</sub> " Plated SAE
33	G10037	2	Hex Head Cap Screw, <sup>1</sup> / <sub>2</sub> "-13 X 1 <sup>1</sup> / <sub>4</sub> "
34	G10062	1	Hex Head Cap Screw, <sup>3</sup> / <sub>8</sub> "-16 x 3"

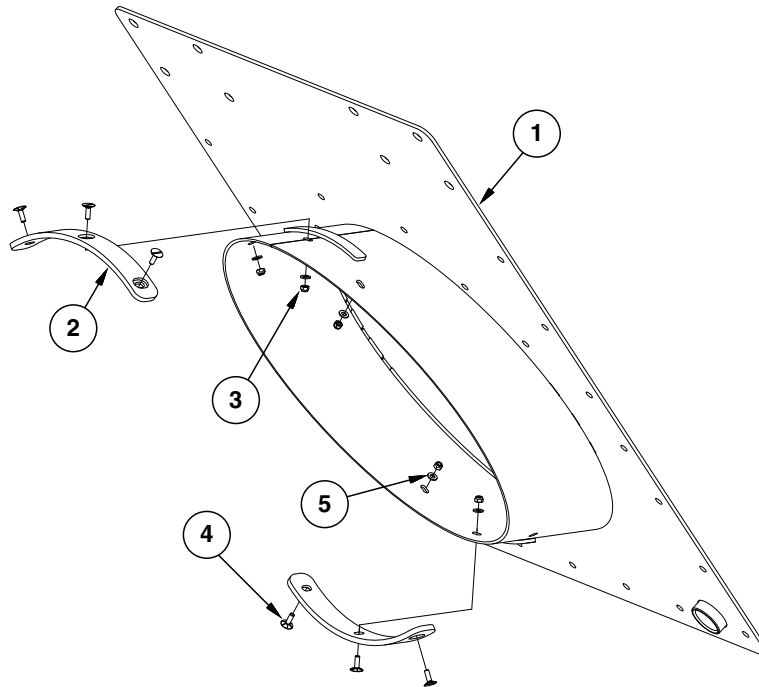
(107984)





ITEM	PART NO.	QTY.	DESCRIPTION
1	G10410701	1	Torsion Rod A
2	G10411901	1	Torsion Rod B (1321)
	G10415301	-	Torsion Rod E (1421/1521)
	G10416901	-	Torsion Rod H (1721)
3	G10412001	1	Torsion Rod C (1321)
	G10415201	-	Torsion Rod F (1421/1521)
	G10548501	-	Torsion Rod N (1721)
4	G10412201	1	Torsion Rod D (1321)
	G10799001		Torsion Rod P (1421/1521)
	G10548701		Torsion Rod O (1721)
5	G10535501	1	Cleanout Bar Assembly
	GD11649		Boot (Included W/G10535501)
6	G10411001	1	Hex Shaft
7	G10542001	1	Rear Cover Sheet
8	G10413401	3	R.H. Turnbuckle
9	G10413301	3	L.H. Turnbuckle
10	G10413001	3	Dump Door
11	G10414501	14	Plastic Clamp
12	G10535701	7	Clamp Shim, 16 Gauge (.0598")
13	G10556701	7	Clamp Shim , 7 Gauge (.1793")
14	G10414401	3	Flange Shim
15	GB0218	18	Bushing, 2 <sup>1</sup> / <sub>2</sub> " I.D. x 7 <sup>1</sup> / <sub>8</sub> " O.D. x 1 <sup>9</sup> / <sub>32</sub> " Long
16	G10599602	3	Cleanout Insert
17	G10414101	6	Rod Turnbuckle
18	G10415101	6	L.H. Hex Nut, 1/2"-13, Grade 5
19	G10540203	6	Seal, 3/4" x 1/8" x 9 1/2"
20	G10540204	6	Seal, 3/4" x 1/8" x 15"
21	G10102	8	Hex Nut, 1/2"-13
22	G11391	36	Flat Washer, 5/8" SAE
23	G10005	18	Hex Head Cap Screw, 5/8"-11 x 1 3/4"
24	G10107	18	Lock Nut, 5/8"-11
25	G11387	44	Flat Washer, 3/8" SAE
26	G10001	6	Hex Head Cap Screw, 3/8"-16 x 1"
27	G10108	13	Lock Nut, 3/8"-16
28	G10634101	14	Hex Head Cap Screw, 3/8"-16 x 4", Grade 5
29	G10644201	1	Twist to Lock Spring Plunger
30	G10004	8	Hex Head Cap Screw, 3/8"-16 x 1 1/4"
31	G11389	4	Flat Washer, 1/2" Plated SAE
32	G10037	2	Hex Head Cap Screw, 1/2"-13 X 1 1/4"
33	G10062	1	Hex Head Cap Screw, 3/8"-16 x 3"

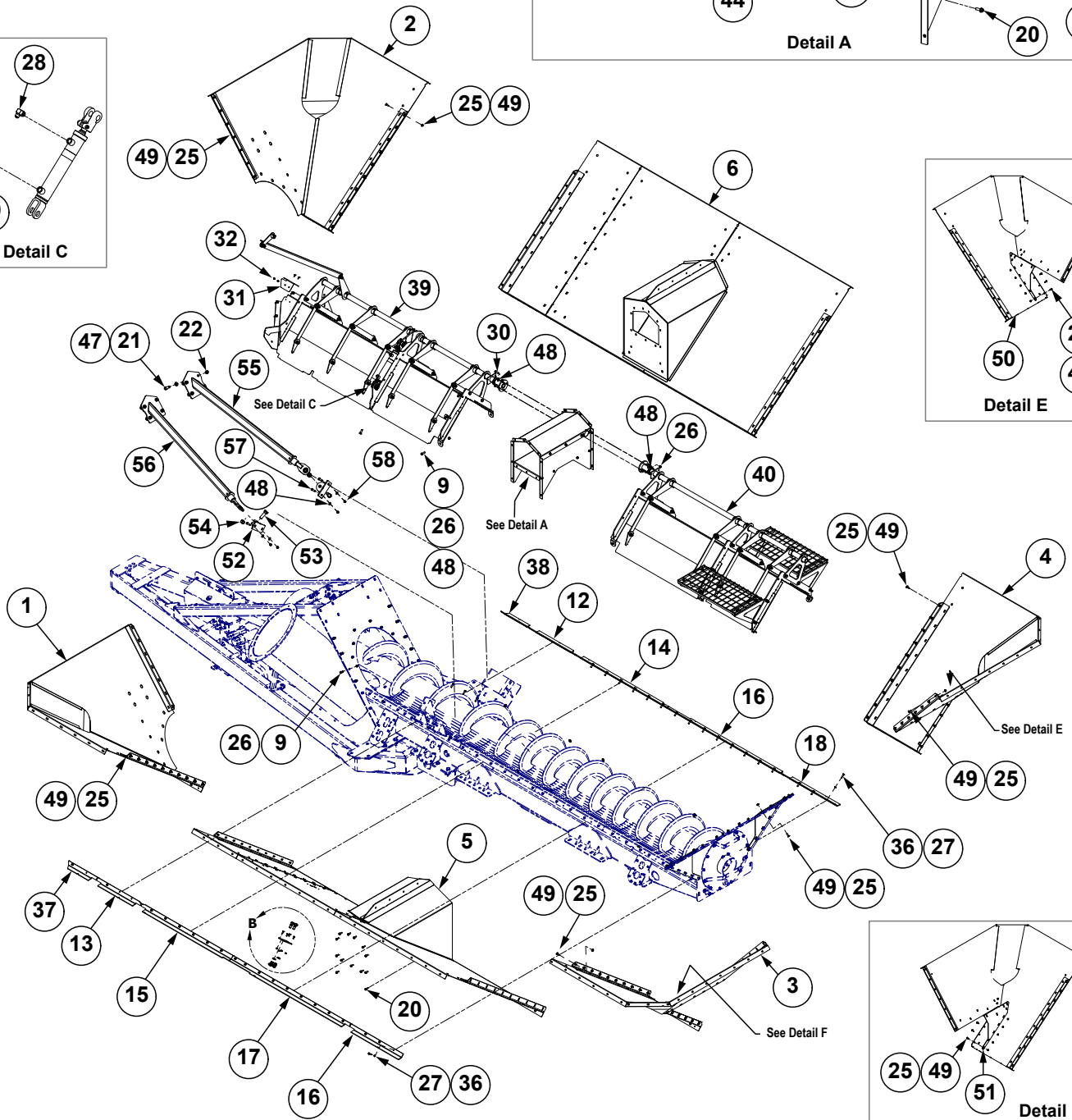
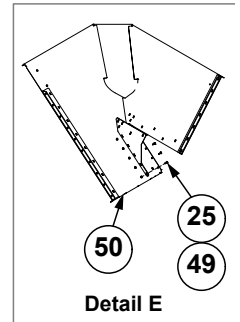
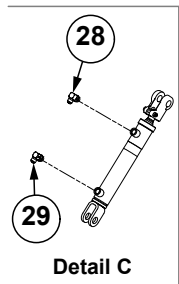
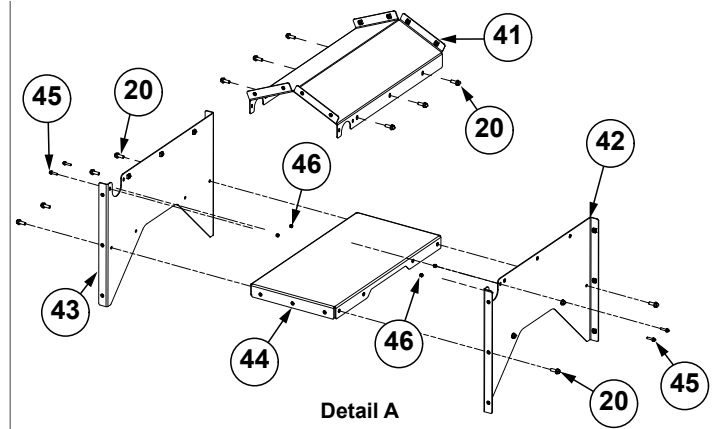
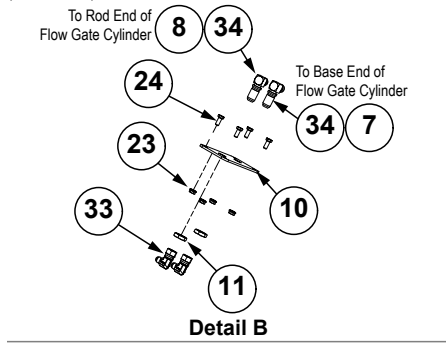
(IP1415)



ITEM	PART NO.	QTY.	DESCRIPTION
1	GA25120	1	Inner Grain Transfer
2	GD26023	2	Rotate Wear Pad
3	G10109	6	Lock Nut, 5/16"-18
4	G11192	6	Bolt, 5/16"-18 x 1"
5	G11386	6	Flat Washer, 5/16" SAE
A	GA25121	1	Inner Grain Transfer (Includes Items 1-5)

**This page left blank intentionally.**

(A24656-03)



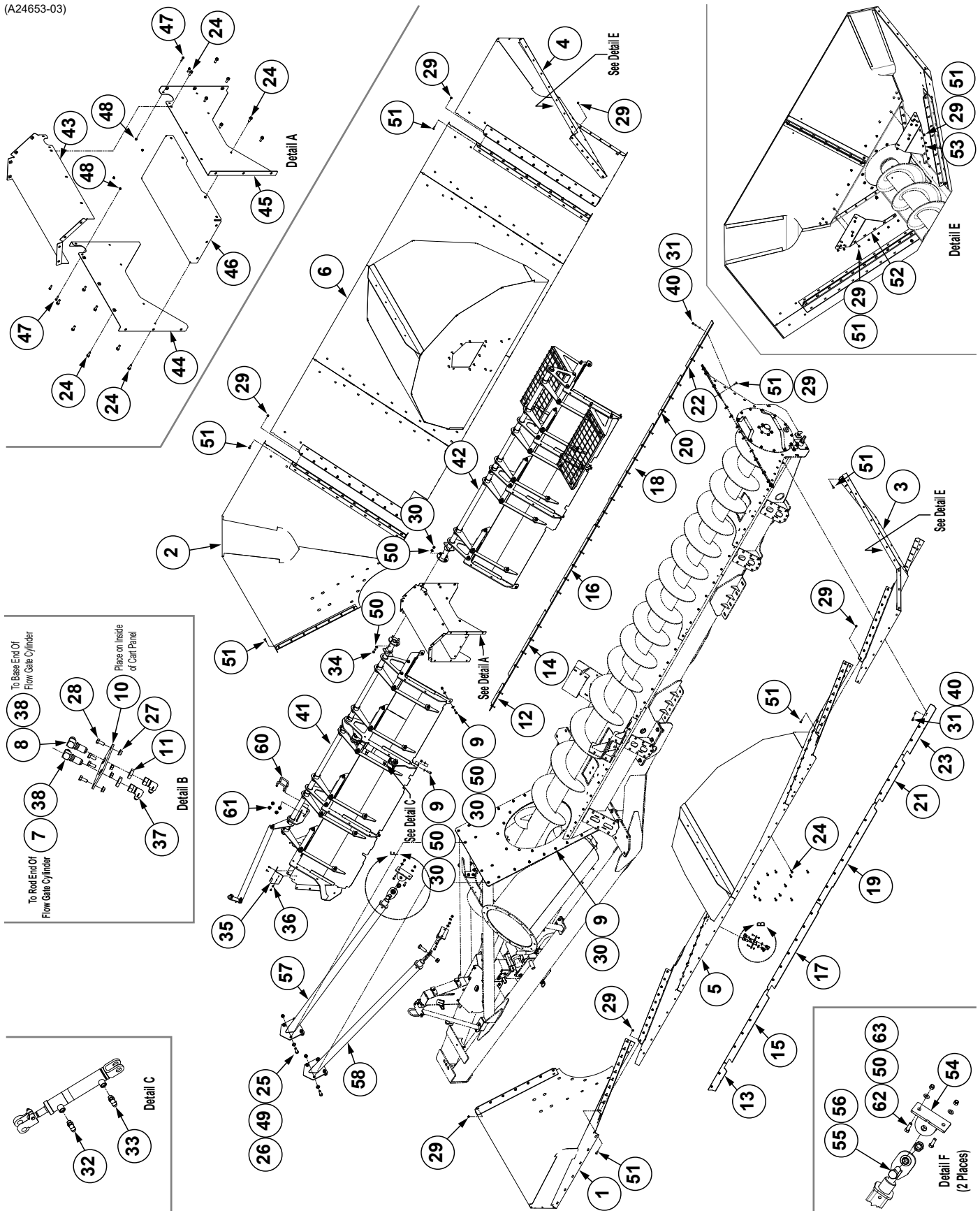
ITEM	PART NO.	QTY.	DESCRIPTION
1	GA16021	1	Front Corner Tank
2	GA16022	1	Front Tank Corner
3	GA16029	1	Rear Tank Corner
4	GA16030	1	Rear Tank Corner
5	GA16741	1	Lower Tank Side (1321 Flotation)
	GA16267	-	Lower Tank Side (1321 Track)
6	GA16742	1	Lower Tank Side (1321 Flotation)
	GA16266	-	Lower Tank Side (1321 Track)
7	*A1098	1	Hose Assembly, 3/8" x 26"
8	*A1018	1	Hose Assembly, 3/8" x 40" (08F-08F)
9	G10017	24	Hex Head Cap Screw, 1/2"-13 x 1 1/2"
10	GD24006	1	Flow Gate Cylinder Bulkhead
11	G306-08	2	Lock Nut, 3/4"-16
12	GD26402	1	R.H. Front Side Panel Clamp
13	GD26403	1	L.H. Front Side Panel Clamp
14	GD26398	1	R.H. Mid-Front Side Panel Clamp
15	GD26397	1	L.H. Mid-Front Side Panel Clamp
16	GD26404	1	R.H. Mid-Rear Side Panel Clamp
17	GD26405	1	L.H. Mid-Rear Side Panel Clamp
18	GD26400	1	R.H. Rear Side Panel Clamp
19	GD26453	1	L.H. Rear Side Panel Clamp
20	G11124	40	Hex Serrated Flange Cap Screw, 3/8"-16 x 1"
21	G10027	8	Hex Head Cap Screw, 3/4"-10 x 2 1/2"
22	G10112	8	Lock Nut, 3/4"-10
23	G10620	4	Serrated Flange Nut, 5/16"-18
24	G10043	4	Hex Head Cap Screw, 5/16"-18 x 3/4"
25	G11091	80	Serrated Flange Nut, 3/8"-16
26	G10111	28	Lock Nut, 1/2"-13
27	G10229	45	Lock Washer, 3/8"
28	G6801-08	1	Elbow W/O-Ring, 90°, 3/4"-16 Male JIC To O-Ring
	GR1037	-	O-Ring
29	GA9705	1	Restrictor Elbow
30	G10657	4	Hex Head Cap Screw, 1/2"-13 x 1 3/4", Grade 8
31	GD24996	1	Flow Gate Cover
32	G10522	4	Slotted Hex Self-Tapping Screw, 1/4"-20 x 3/4"
33	G6500-06-08	2	90° Swivel Elbow, 9/16"-18 x 3/4"-16
34	G2701-08	2	Bulkhead Elbow, 90°, 3/4"-16 Male JIC
36	G10003	45	Hex Head Cap Screw, 3/8"-16 x 1 1/2"
37	GD26425	1	L.H. Front Side Panel Clamp
38	GD26426	1	R.H. Front Side Panel Clamp
39	---	1	<a href="#">See "Hydraulic Flow Gate, Front Assembly (1321)" on page P53</a>
40	---	1	<a href="#">See "Hydraulic Flow Gate, Rear Assembly (1321)" on page P55</a>
41	GA16616	1	Top Axle Cover
42	GA16615	1	Rear Axle Cover
43	GA16614	1	Front Axle Cover
44	GA16188	1	Lower Axle Cover
45	G11409	4	Hex Serrated Flanged Cap Screw, 1/4"-20 x 1"
46	G10110	4	Lock Nut, 1/4"-20, Grade B
47	G11392	8	Flat Washer, 3/4" SAE
48	G11389	32	Flat Washer, 1/2" Plated SAE
49	G10599	80	Carriage Bolt, 3/8"-16 x 1 1/4"
50	GD29560	1	R.H. Stiffener

---

ITEM	PART NO.	QTY.	DESCRIPTION
51	GD29559	1	L.H. Stiffener
52	GA21006	2	Pivot Bracket
53	G10119	2	Hex Head Cap Screw, 1"-8 x 3"
54	G10396	2	Lock Nut, 1"-8
55	---	1	<a href="#">See "Inner Truss Support" on page P51</a>
56	---	1	<a href="#">See "Inner Truss Support" on page P51</a>
57	G11802	4	Hex Head Cap Screw, ½"-13 x 1½", Grade 8
58	G11511	4	Lock Nut, ½"-13

**This page left blank intentionally.**

(A24653-03)





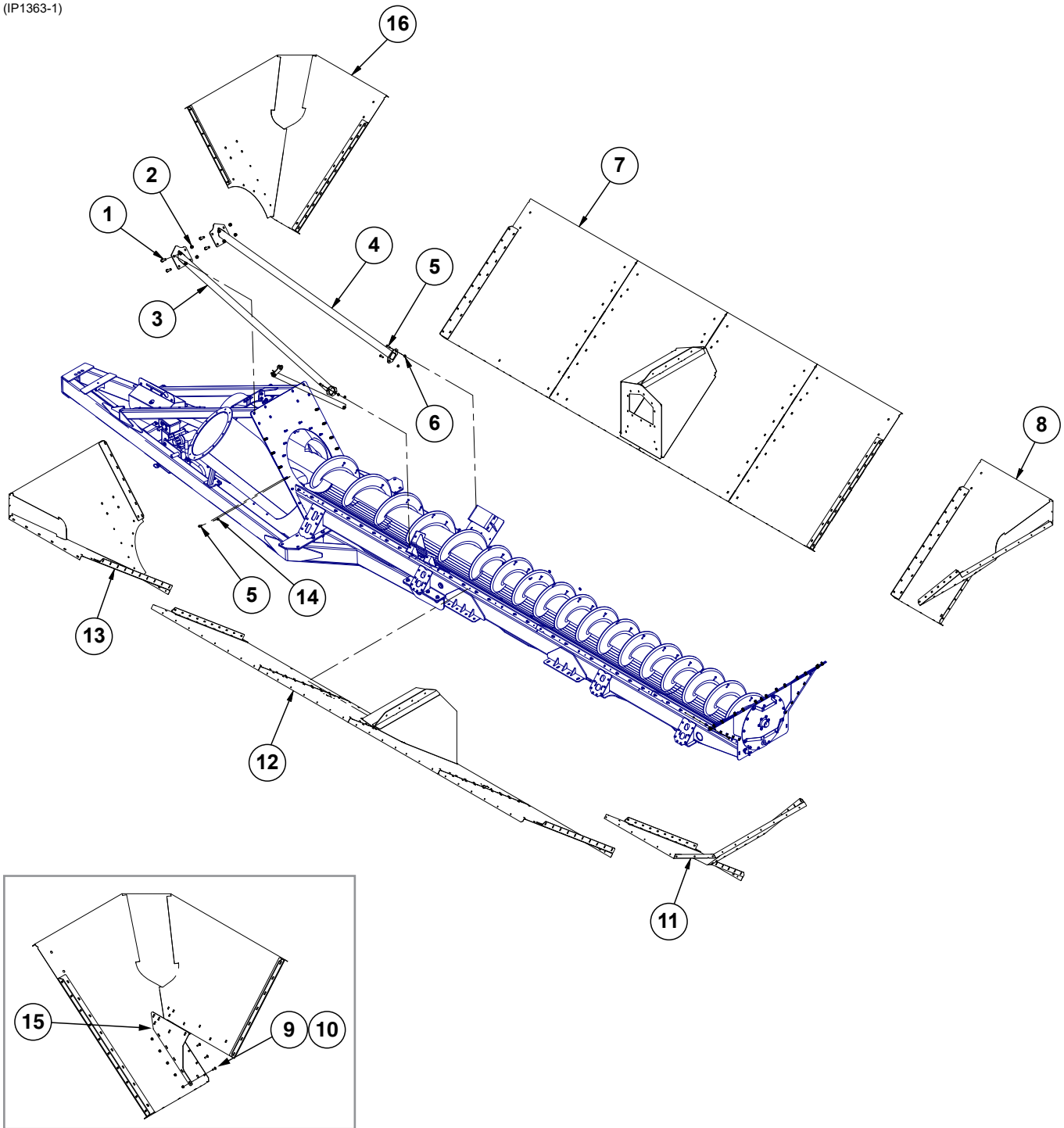
ITEM	PART NO.	QTY.	DESCRIPTION
1	GA16021	1	Front Corner Tank
2	GA16022	1	Front Tank Corner
3	GA16029	1	Rear Tank Corner
4	GA16030	1	Rear Tank Corner
5	GA16707	1	Lower Tank Side (1421/1521 Flotation)
	GA16033	-	Lower Tank Side (1421/1521 Track)
6	GA16708	1	Lower Tank Side (1421/1521 Flotation and Row Crop)
	GA16034	-	Lower Tank Side (1421/1521 Track)
7	*A1018	1	Hose Assembly, 3/8" x 40" (08F-08F)
8	*A1098	1	Hose Assembly, 3/8" x 26"
9	G10017	28	Hex Head Cap Screw, 1/2"-13 x 1 1/2"
10	GD24006	1	Flow Gate Cylinder Bulkhead
11	G306-08	2	Lock Nut, 3/4"-16
12	GD26426	1	R.H. Front Side Panel Clamp
13	GD26425	1	L.H. Front Side Panel Clamp
14	GD26396	1	R.H. Front Side Panel Clamp
15	GD26695	1	L.H. Front Side Panel Clamp
16	GD26398	1	R.H. Mid-Front Side Panel Clamp
17	GD26397	1	L.H. Mid-Front Side Panel Clamp
18	GD26394	1	R.H. Mid-Rear Side Panel Clamp
19	GD26699	1	L.H. Mid-Rear Side Panel Clamp
20	GD26452	1	R.H. Rear Side Panel Clamp
21	GD26401	1	L.H. Rear Side Panel Clamp
22	GD26400	1	R.H. Rear Side Panel Clamp
23	GD26453	1	L.H. Rear Side Panel Clamp
24	G11124	40	Hex Serrated Flange Cap Screw, 3/8"-16 x 1"
25	G10027	8	Hex Head Cap Screw, 3/4"-10 x 2 1/2"
26	G10112	8	Lock Nut, 3/4"-10
27	G10620	4	Serrated Flange Nut, 5/16"-18
28	G10043	4	Hex Head Cap Screw, 5/16"-18 x 3/4"
29	G11091	80	Serrated Flange Nut, 3/8"-16
30	G10111	32	Lock Nut, 1/2"-13
31	G10229	50	Lock Washer, 3/8"
32	G6801-08	1	Elbow W/O-Ring, 90°, 3/4"-16 Male JIC To O-Ring
	GR1037	-	O-Ring
33	GA9705	1	Restrictor Elbow
34	G10657	4	Hex Head Cap Screw, 1/2"-13 x 1 3/4", Grade 8
35	GD24996	1	Flow Gate Cover
36	G10522	4	Slotted Hex Self-Tapping Screw, 1/4"-20 x 3/4"
37	G6500-06-08	2	90° Swivel Elbow, 5/16"-18 x 3/4"-16
38	G2701-08	2	Bulkhead Elbow, 90°, 3/4"-16 Male JIC
39	---	---	---
40	G10003	50	Hex Head Cap Screw, 3/8"-16 x 1 1/2"
41	---	1	<a href="#">See "Hydraulic Flow Gate, Front Assembly (1421/1521)" on page P57</a>
42	---	1	<a href="#">See "Hydraulic Flow Gate, Rear Assembly (1421/1521)" on page P59</a>
43	GA16616	1	Top Axle Cover
44	GA16615	1	Rear Axle Cover
45	GA16614	1	Front Axle Cover
46	GA16188	1	Lower Axle Cover
47	G11409	4	Hex Serrated Flanged Cap Screw, 1/4"-20 x 1"
48	G10110	4	Lock Nut, 1/4"-20, Grade B
49	G11392	8	Flat Washer, 3/4" SAE

---

ITEM	PART NO.	QTY.	DESCRIPTION
50	G11389	40	Flat Washer, 1/2" Plated SAE
51	G10599	80	Carriage Bolt, 3/8"-16 x 1 1/4"
52	GD29560	1	R.H. Stiffener
53	GD29559	1	L.H. Stiffener
54	GA20225	2	Pivot Bracket
55	G10119	2	Hex Head Cap Screw, 1"-8 x 3"
56	G10396	2	Lock Nut, 1"-8
57	---	1	<a href="#">See "Inner Truss Support" on page P51</a>
58	---	1	<a href="#">See "Inner Truss Support" on page P51</a>
59	---	---	---
60	GD14671	2	U-Bolt, 3" x 3" x 5/8"-11
61	G11415	4	Serrated Flange Nut, 5/8"-11
62	G11802	4	Hex Head Cap Screw, 1/2"-13 x 1 1/2", Grade 8
63	G11511	4	Lock Nut, 1/2"-13

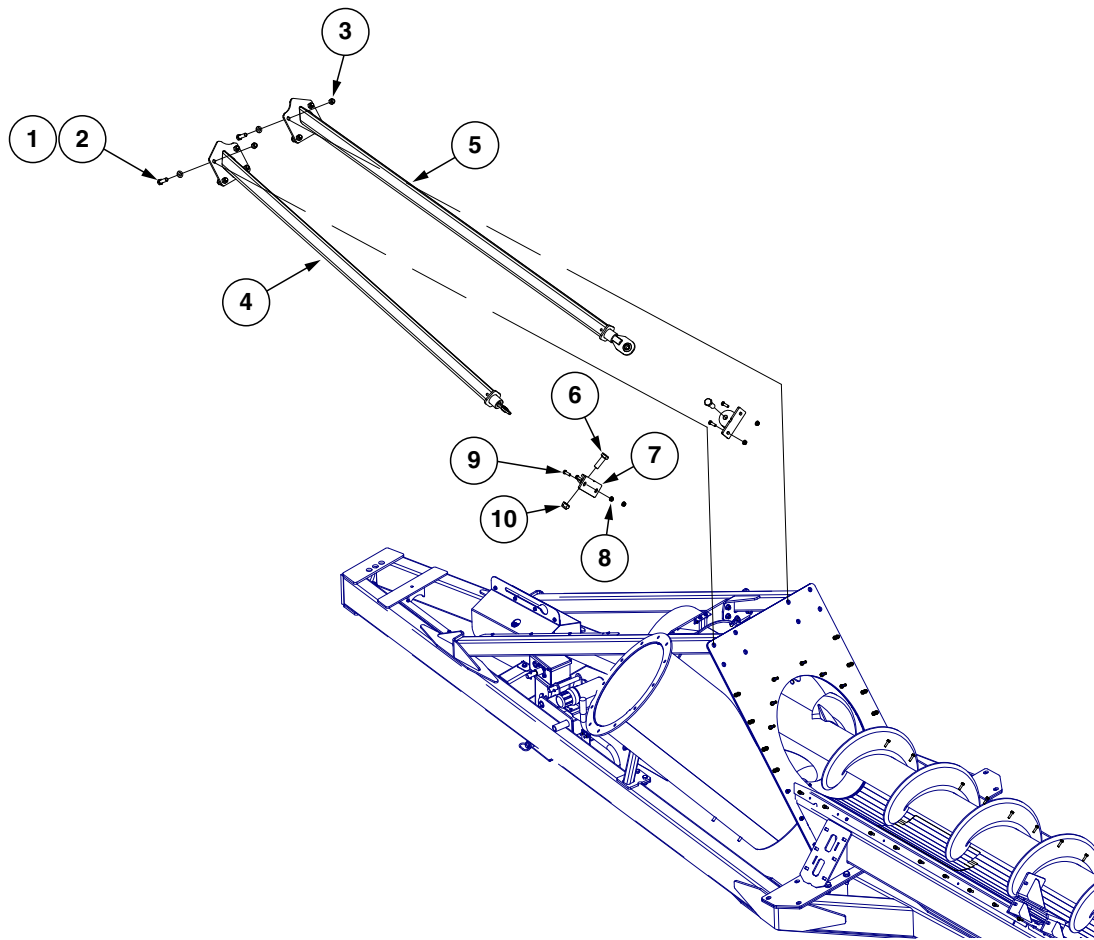
**This page left blank intentionally.**

(IP1363-1)



ITEM	PART NO.	QTY.	DESCRIPTION
1	G10027	8	Hex Head Cap Screw, 3/4"-10 x 2 1/2"
	G11392	8	Flat Washer, 3/4" SAE
2	G10112	8	Lock Nut, 3/4"-10
3	GA16815	1	<a href="#">See "Inner Truss Support" on page P51</a>
4	GA16814	1	<a href="#">See "Inner Truss Support" on page P51</a>
5	G10017	18	Hex Head Cap Screw, 1/2"-13 x 1 1/2"
6	G10071	4	Serrated Flange Nut, 1/2"-13
7	GA16498	1	Lower Tank Side (1721 Flotation)
8	GA16030	1	Rear Tank Corner
9	G11091	80	Serrated Flange Nut, 3/8"-16
10	G10599	80	Carriage Bolt, 3/8"-16 x 1 1/4"
11	GA16029	1	Rear Tank Corner
12	GA16497	1	Lower Tank Side (1721 Flotation)
13	GA16021	1	Front Corner Tank
14	G10111	28	Lock Nut, 1/2"-13
15	GD29559	2	Lower Clamp Plate, L.H.
	GD29560	2	Lower Clamp Plate, R.H.
16	GA16022	1	Front Tank Corner

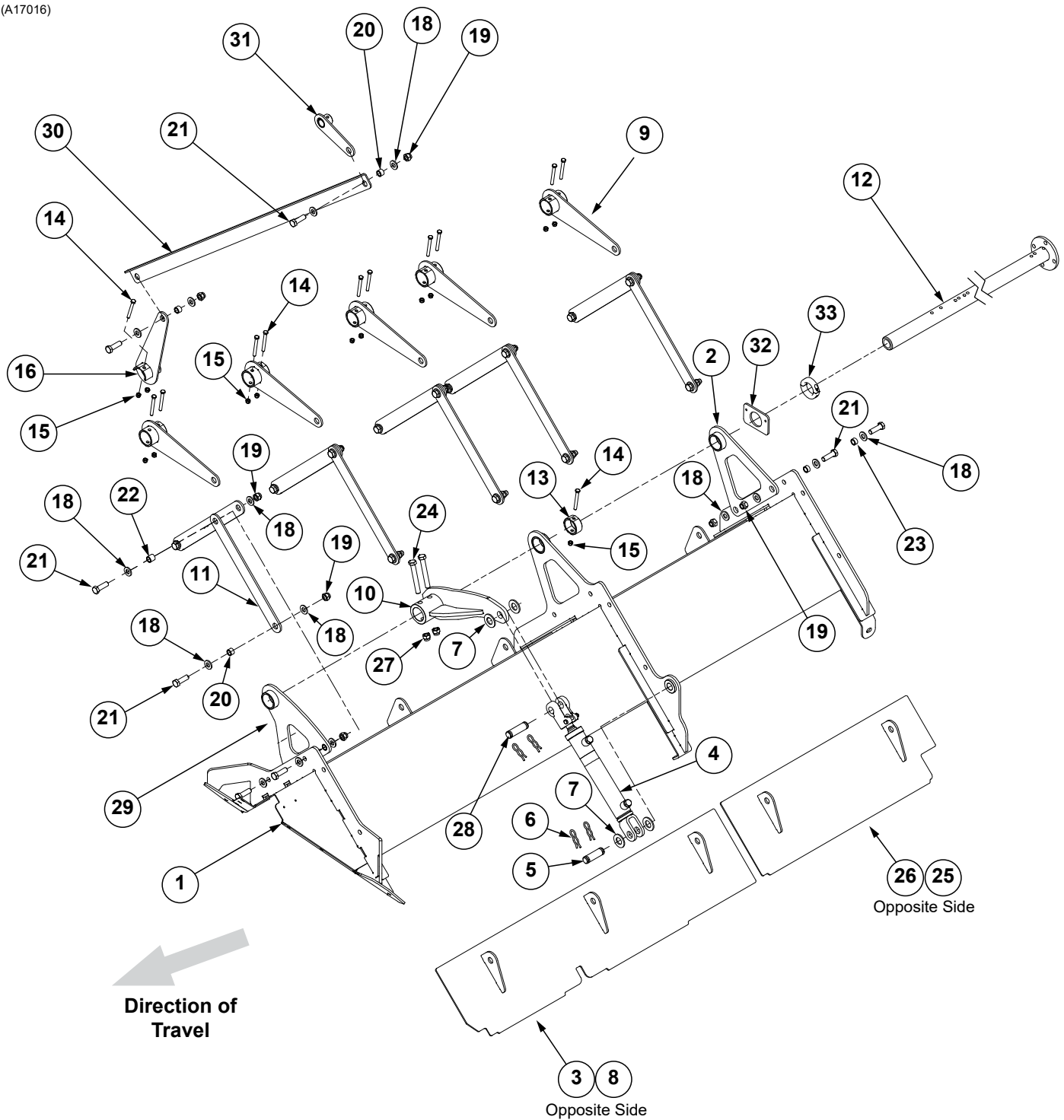
(TP1335)



ITEM	PART NO.	QTY.	DESCRIPTION
1	G11392	8	Flat Washer, 3/4" SAE
2	G10027	8	Hex Head Cap Screw, 3/4"-10 x 2 1/2"
3	G10112	8	Lock Nut, 3/4"-10
4	GA21663	1	Lower Tub Truss Support Assembly (1321)
	GA21665	1	Lower Tub Truss Support Assembly (1421/1521)
	GA21669	1	Lower Tub Truss Support Assembly (1721)
	GA20224	1	Ball Joint Assembly
5	GA21662	1	Lower Tub Truss Support Assembly (1321)
	GA21664	1	Lower Tub Truss Support Assembly (1421/1521)
	GA21668	1	Lower Tub Truss Support Assembly (1721)
	GA20224	1	Ball Joint Assembly
6	G10119	2	Hex Head Cap Screw, 1"-8 x 3"
7	GA21006	2	Pivot Bracket (1321)
	GA20225	2	Pivot Bracket (1421/1521)
	GA20230	2	Pivot Bracket (1721)
8	G10071	4	Serrated Flange Nut, 1/2"-13
9	G10017	2	Hex Head Cap Screw, 1/2"-13 x 1 1/2"
10	G10396	2	Lock Nut, 1"-8

**This page left blank intentionally.**

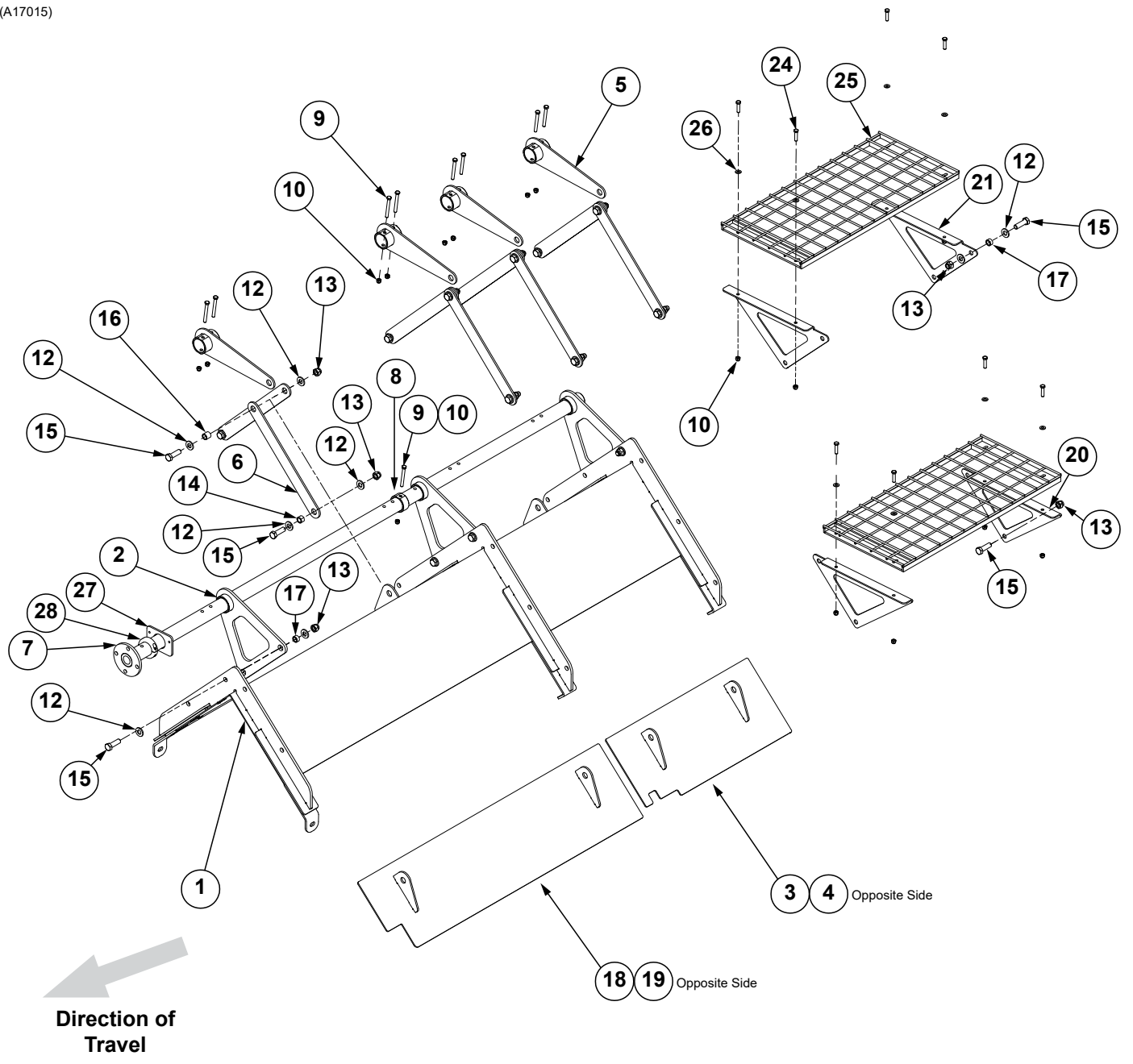
(A17016)





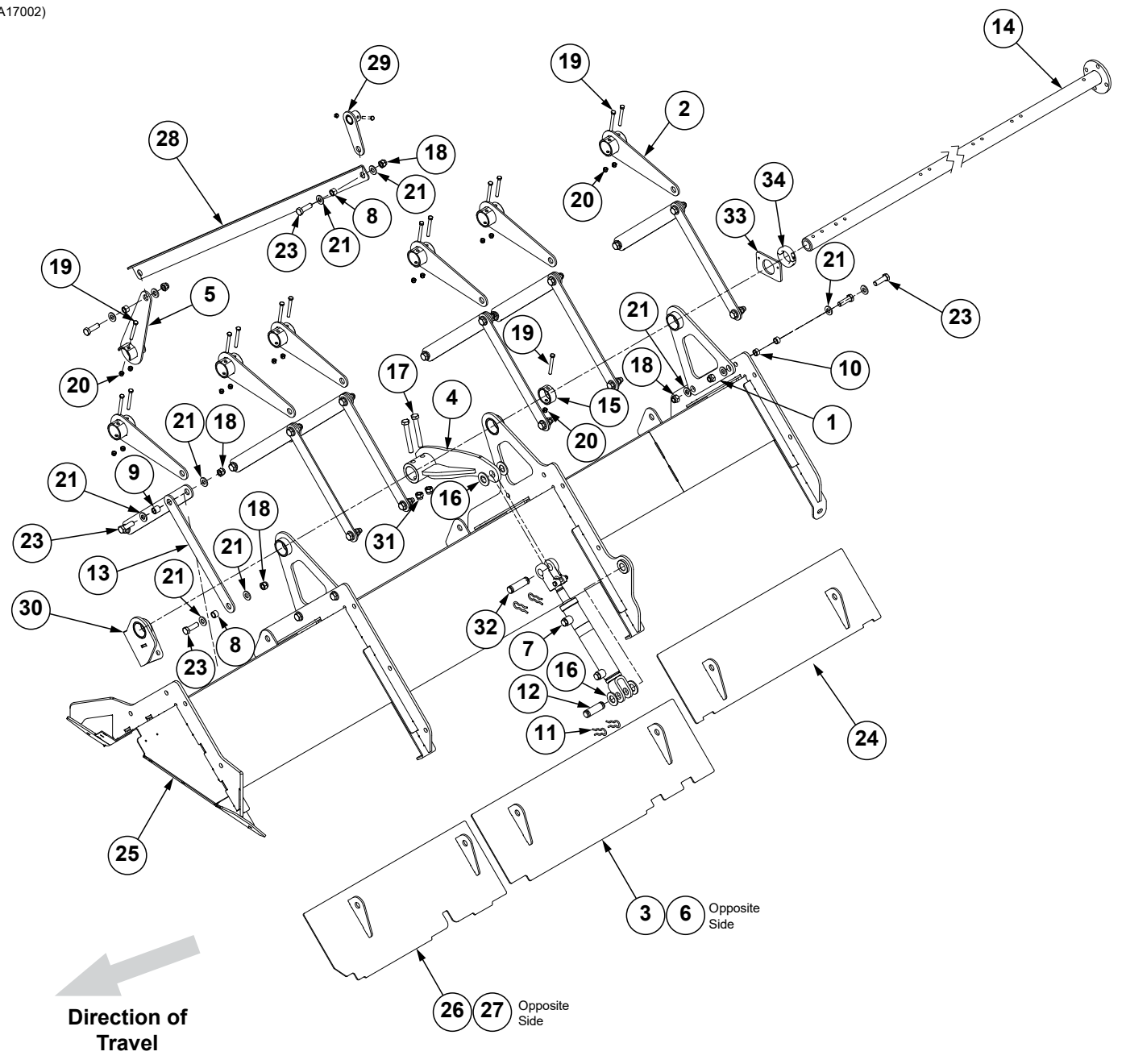
ITEM	PART NO.	QTY.	DESCRIPTION
1	GA16733	1	Front Flow Gate Funnel
2	GA16318	1	Crank Tube Support
3	GA17169 GA17166	1 -	Front Flow Gate (Flotation) (Shown) Front Flow Gate (Track)
4	GA17220	1	<a href="#">See "Hydraulic Flow Gate, Front Assembly (1721)" on page P61</a>
5	---	---	---
6	GR0193	4	Hair Pin Clip
7	G11394	4	Flat Washer, 1" SAE
8	GA17170 GA17167	1 -	Front Flow Gate (Flotation) (Shown) (Opposite Side) Front Flow Gate (Track) (Opposite Side)
9	GA16319	5	Crank Arm
10	GA17242	1	Cylinder Crank Arm
11	GD23672	10	Door Linkage Plate
12	GA20089	1	Front Torque Tube (1321)
13	GD23679	1	Locating Ring, 2"
14	G10809	13	Hex Head Cap Screw, 3/8"-16 x 3 1/4"
15	G10108	13	Lock Nut, 3/8"-16
16	GA16625	1	Sight Gauge Link
17	---	---	---
18	G11391	42	Flat Washer, 5/8" SAE
19	G10107	21	Lock Nut, 5/8"-11
20	GB0218	12	Bushing, 2 1/32" I.D. x 7/8" O.D. x 1 9/32" Long
21	G10008	21	Hex Head Cap Screw, 5/8"-11 x 2"
22	GB0654	5	Bushing
23	GB0672	4	Bushing
24	G11509	2	Hex Head Cap Screw, 5/8"-11 x 4 1/2", Grade 8
25	GA16912	1	Front Door (Track) (Opposite Side)
26	GA16911	1	Front Door (Track)
27	G11510	2	Locknut, 5/8"-11, Grade 8
28	GR0375	2	Hair Pin Clip
29	GA17270	1	Crank Tube Support
30	GD24118	1	Indicator Actuator
31	GA17246	1	Sight Gauge Link
32	GD23979	1	Tube Cover Plate
33	GD25306	1	Clamp Collar, 2"

(A17015)



ITEM	PART NO.	QTY.	DESCRIPTION
1	GA16730	1	Rear Tunnel
2	GA16318	3	Crank Tube Support
3	GA16772	1	Rear Flow Gate
4	GA16773	1	Rear Flow Gate (Opposite side)
5	GA16319	4	Crank Arm
6	GD23672	8	Door Linkage Plate
7	GA20090	1	Rear Torque Tube (1321)
8	GD23679	1	Locating Ring, 2"
9	G10809	9	Hex Head Cap Screw, 3/8"-16 x 3 1/4"
10	G10108	17	Lock Nut, 3/8"-16
11	---	---	---
12	G11391	36	Flat Washer, 5/8" SAE
13	G10107	24	Lock Nut, 5/8"-11
14	GB0218	8	Bushing, 2 1/32" I.D. x 7/8" O.D. x 1 9/32" Long
15	G10008	24	Hex Head Cap Screw, 5/8"-11 x 2"
16	GB0654	4	Bushing
17	GB0672	6	Bushing
18	GA16861	1	Front Rear Flow Gate (Flotation) (Shown)
	GA16732	-	Front Rear Flow Gate (Track)
19	GA16855	1	Mid Front Flow Gate (Flotation) (Shown) (Opposite Side)
	GA16731	-	Front Rear Gate (Track) (Opposite Side)
20	GD24011	2	L.H. Safety Screen Bracket
21	GD24014	2	R.H. Safety Screen Bracket
22	---	---	---
23	---	---	---
24	G10003	8	Hex Head Cap Screw, 3/8"-16 x 1 1/2"
25	GA18554	2	Rear Safety Gate
26	G11387	8	Flat Washer, 3/8" SAE
27	GD23979	1	Tube Cover Plate
28	GD25306	1	Clamp Collar, 2"

(A17002)



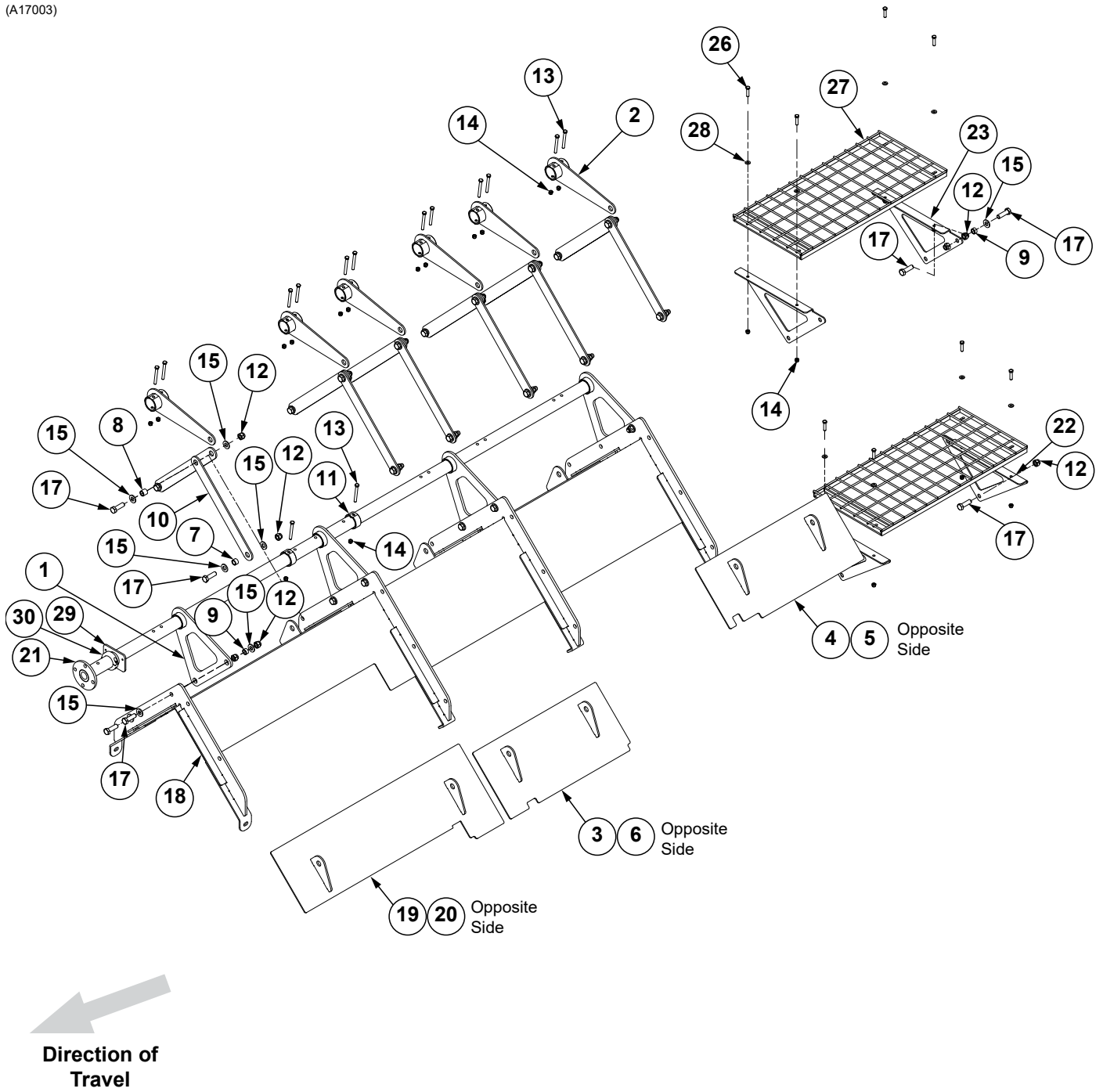
## Hydraulic Flow Gate, Front Assembly (1421/1521)

M0316-02

Grain Cart

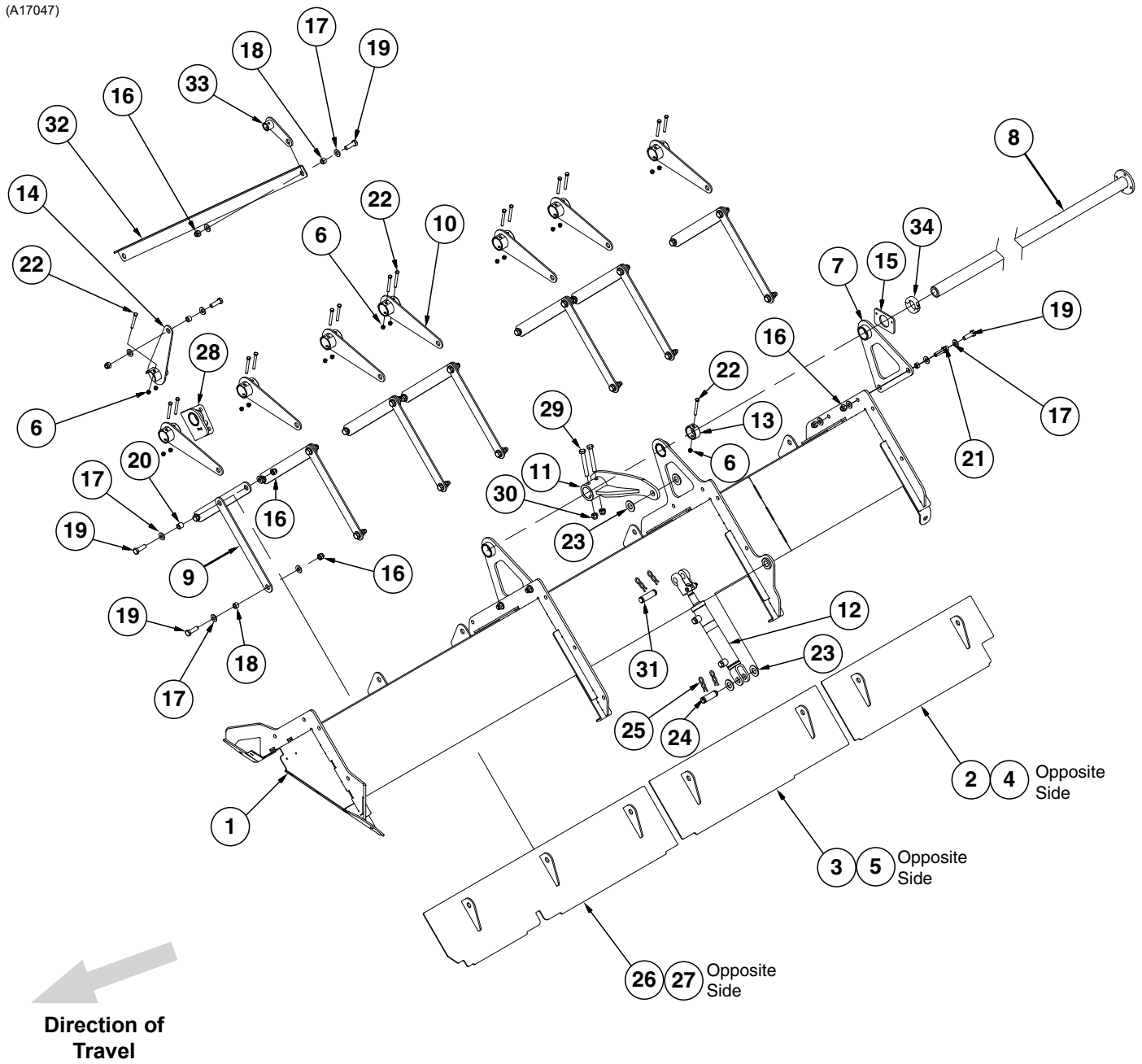
ITEM	PART NO.	QTY.	DESCRIPTION
1	GA16318	2	Crank Tube Support
2	GA16319	6	Crank Arm
3	GA16774	1	Mid Front Flow Gate
4	GA17242	1	Cylinder Crank Arm
5	GA16625	1	Sight Gauge Link
6	GA16775	1	Mid Front Flow Gate
7	GA17237	1	<a href="#">See "Hydraulic Flow Gate Cylinder" on page P107</a>
8	GB0218	14	Bushing, <sup>21</sup> / <sub>32</sub> " I.D. x <sup>7</sup> / <sub>8</sub> " O.D. x <sup>19</sup> / <sub>32</sub> " Long
9	GB0654	6	Bushing
10	GB0672	4	Bushing
11	GR0193	4	Hair Pin Clip
12	---	---	---
13	GD23672	12	Door Linkage Plate
14	GA20091	1	Front Torque Tube
15	GD23679	1	Locating Ring, 2"
16	G11394	4	Flat Washer, 1" SAE
17	G11509	2	Hex Head Cap Screw, <sup>5</sup> / <sub>8</sub> "-11 x 4 <sup>1</sup> / <sub>2</sub> ", Grade 8
18	G10107	24	Lock Nut, <sup>5</sup> / <sub>8</sub> "-11
19	G10809	15	Hex Head Cap Screw, <sup>3</sup> / <sub>8</sub> "-16 x 3 <sup>1</sup> / <sub>4</sub> "
20	G10108	15	Lock Nut, <sup>3</sup> / <sub>8</sub> "-16
21	G11391	48	Flat Washer, <sup>5</sup> / <sub>8</sub> " SAE
22	---	---	---
23	G10008	24	Hex Head Cap Screw, <sup>5</sup> / <sub>8</sub> "-11 x 2"
24	GA16320 GA16911	1	Front Rear Door (1421/1521 Flotation) Front Rear Door (1421/1521 Tracks)
25	GA16767 GA16650	1	Front Tunnel (1421/1521 Flotation) Front Tunnel (1421/1521 Tracks)
26	GA17234	1	Front Flow Gate
27	GA17235	1	Front Flow Gate
28	GD24118	1	Indicator Actuator
29	GA16624	1	Sight Gauge Link
30	GA17081	1	Tube Support
31	G11510	1	Locknut, <sup>5</sup> / <sub>8</sub> "-11, Grade 8
32	GR0375	1	Pin, 1" x 3 <sup>1</sup> / <sub>2</sub> "
33	GD23979	1	Cover Plate Tube
34	GD25306	1	Clamp Collar, 2"
34	GD23979	1	Tube Cover Plate
35	GD25306	1	Clamp Collar, 2"

(A17003)



ITEM	PART NO.	QTY.	DESCRIPTION
1	GA16318	4	Crank Tube Support
2	GA16319	6	Crank Arm
3	GA16770	1	Mid Flow Gate
4	GA16772	1	Rear Flow Gate
5	GA16773	1	Rear Flow Gate
6	GA16771	1	Mid Flow Gate
7	GB0218	12	Bushing, $2\frac{1}{32}$ " I.D. x $\frac{7}{8}$ " O.D. x $1\frac{19}{32}$ " Long
8	GB0654	6	Bushing
9	GB0672	8	Bushing
10	GD23672	12	Door Linkage Plate
11	GD23679	2	Locating Ring, 2"
12	G10107	32	Lock Nut, $\frac{5}{8}$ "-11
13	G10809	14	Hex Head Cap Screw, $\frac{3}{8}$ "-16 x $3\frac{1}{4}$ "
14	G10108	22	Lock Nut, $\frac{3}{8}$ "-16
15	G11391	50	Flat Washer, $\frac{5}{8}$ " SAE
16	---	---	---
17	G10008	32	Hex Head Cap Screw, $\frac{5}{8}$ "-11 x 2"
18	GA16768 GA16651	1	Rear Tunnel (1421/1521 Flotation) Rear Tunnel (1421/1521 Tracks)
19	GA16765 GA16653	1	Front Flow Gate Door (1421/1521 Flotation) Front Flow Gate Door (1421/1521 Tracks)
20	GA16766 GA16652	1	Front Flow Gate Door (1421/1521 Flotation) Front Flow Gate Door (1421/1521 Tracks)
21	GA20092	1	Rear Torque Tube
22	GD24011	2	L.H. Safety Screen Bracket
23	GD24014	2	R.H. Safety Screen Bracket
24	---	---	---
25	---	---	---
26	G10003	8	Hex Head Cap Screw, $\frac{3}{8}$ "-16 x $1\frac{1}{2}$ "
27	GA18554	2	Rear Safety Gate
28	G11387	8	Flat Washer, $\frac{3}{8}$ " SAE
29	GD23979	1	Tube Cover Plate
30	GD25306	1	Clamp Collar, 2"

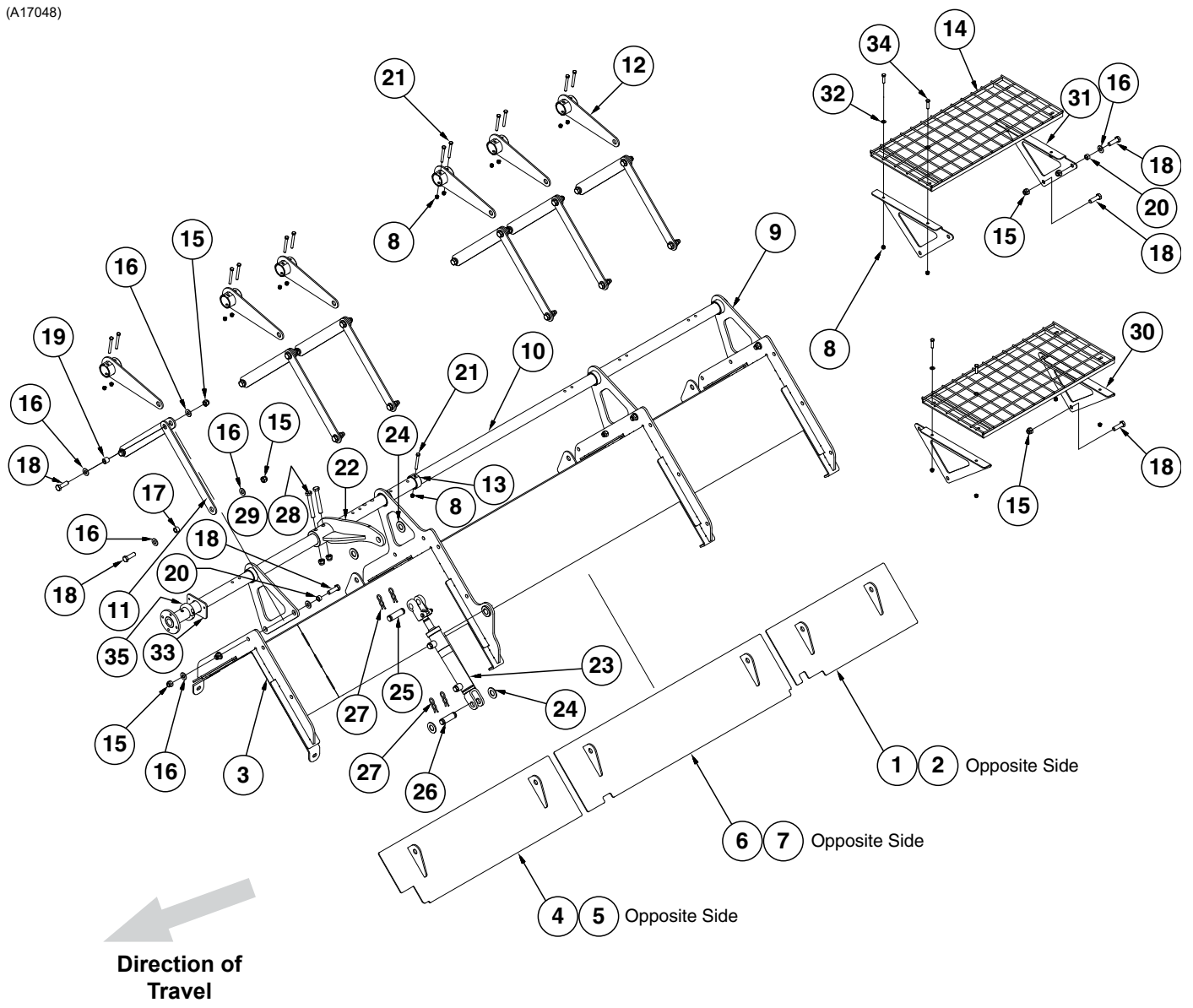
(A17047)





ITEM	PART NO.	QTY.	DESCRIPTION
1	GA16938	1	Front Tunnel
2	GA16911	1	Front Rear Door
3	GA17038	1	Mid Front Flow Gate
4	GA16912	1	Front Rear Door (Opposite Side)
5	GA17039	1	Mid Front Flow Gate (Opposite Side)
6	G10108	17	Lock Nut, 3/8"-16
7	GA16318	2	Crank Tube Support
8	GA20093	1	Front Torque Tube (1721)
9	GD23672	14	Door Linkage Plate
10	GA16319	7	Crank Arm
11	GA17242	1	Cylinder Crank Arm
12	GA17237	1	<a href="#">See "Hydraulic Flow Gate, Front Assembly (1721)" on page P61</a>
13	GD23679	1	Locating Ring, 2"
14	GA16625	1	Sight Gauge Link
15	---	---	---
16	G10107	27	Lock Nut, 5/8"-11
17	G11391	54	Flat Washer, 5/8" SAE
18	GB0218	16	Bushing, 2 1/32" I.D. x 7/8" O.D. x 1 9/32" Long
19	G10008	27	Hex Head Cap Screw, 5/8"-11 x 2"
20	GB0654	7	Bushing
21	GB0672	4	Bushing
22	G10809	17	Hex Head Cap Screw, 3/8"-16 x 3 1/4"
23	G11394	4	Flat Washer, 1" SAE
24	---	---	---
25	GR0193	4	Hair Pin Clip
26	GA17169	1	Front Door Panel
27	GA17170	1	Front Door Panel (Opposite Side)
28	GA17076	1	Tube Support
29	G11509	2	Hex Head Cap Screw, 5/8"-11 x 4 1/2", Grade 8
30	G11510	2	Locknut, 5/8"-11, Grade 8
31	GR0375	2	Pin, 1" x 3 1/2"
32	GD24118	1	Indicator Actuator
33	GA16624	1	Sight Gauge Link
34	GD23979	1	Tube Cover Plate
35	GD25306	1	Clamp Collar, 2"

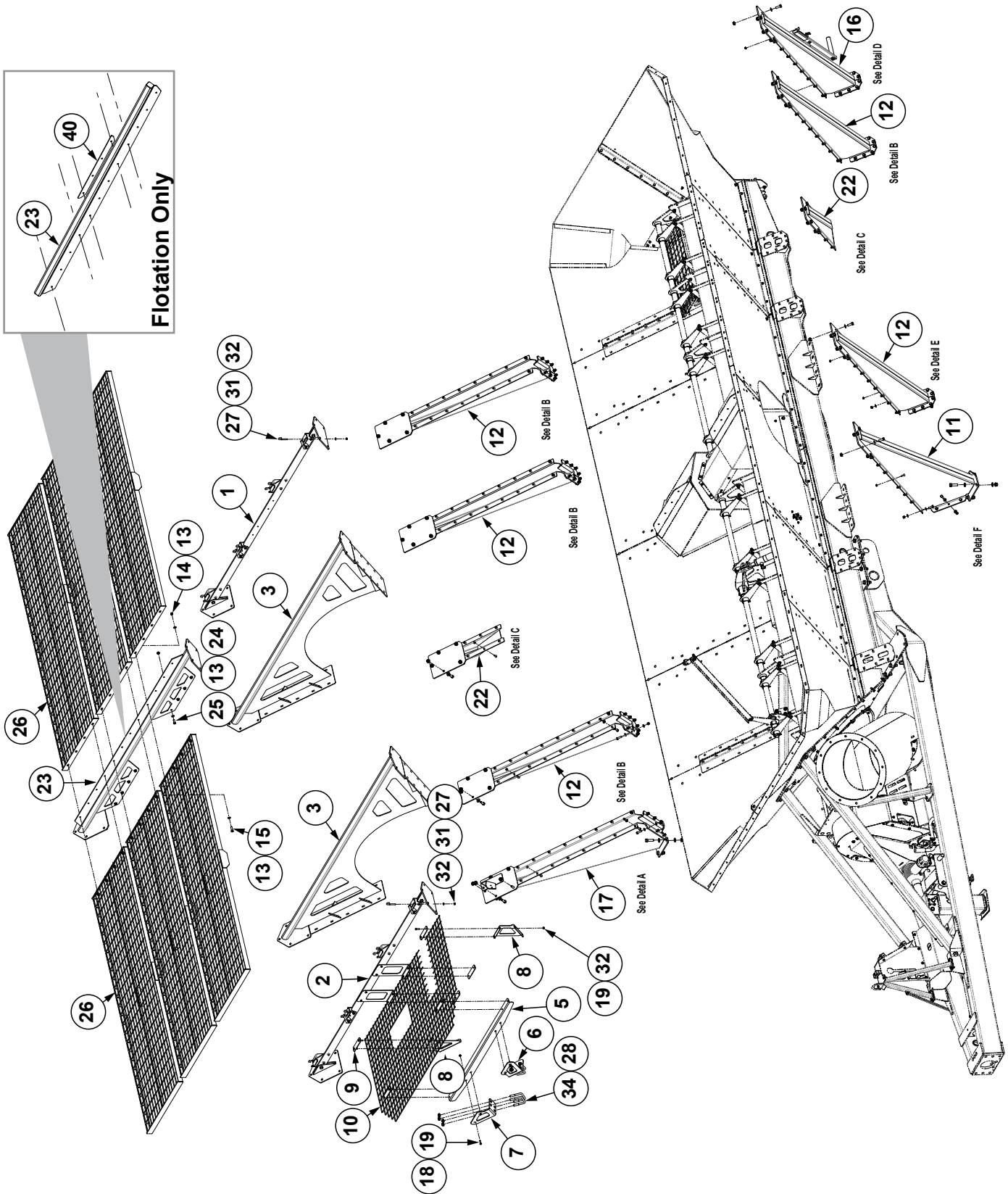
(A17048)

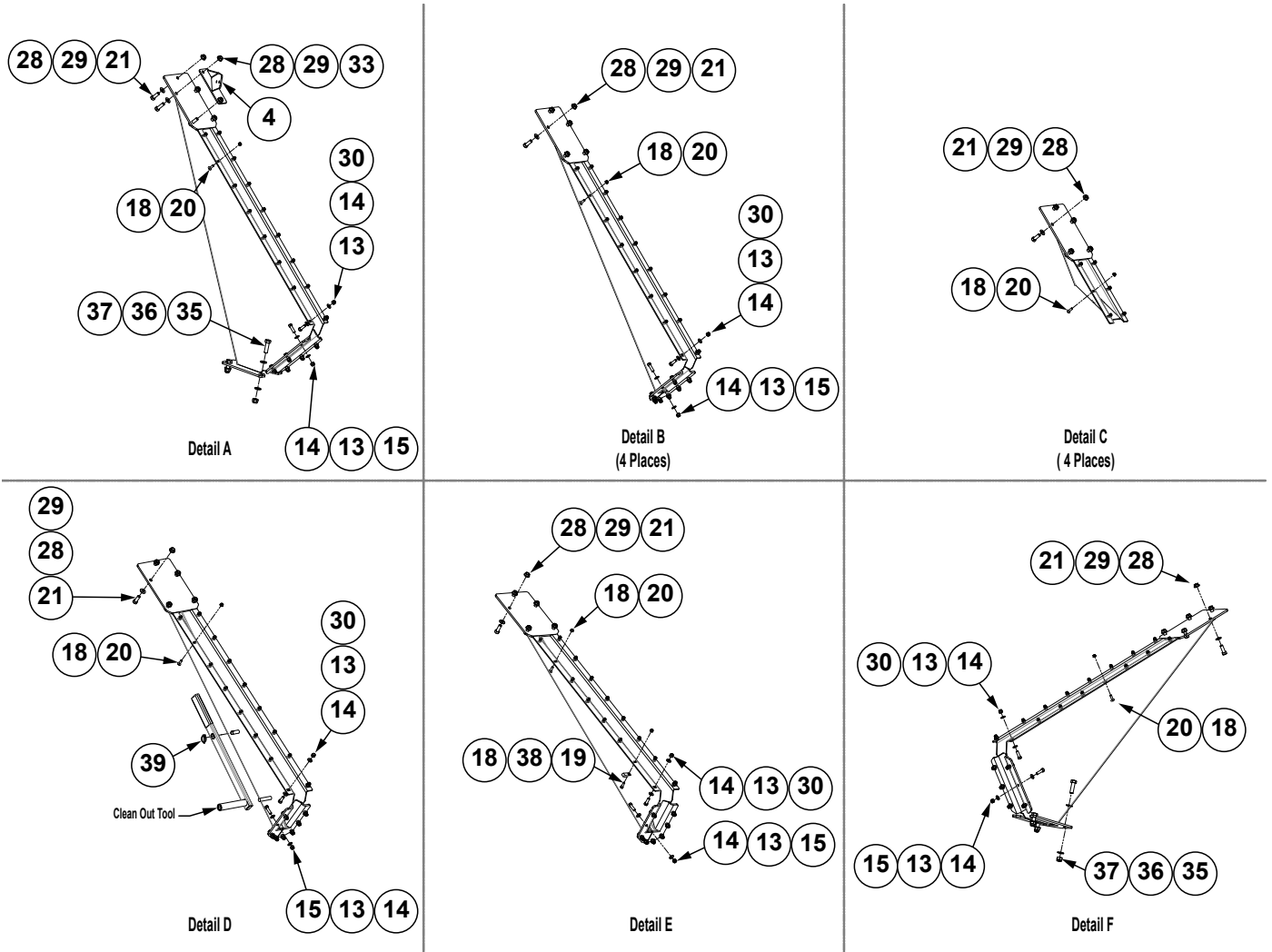


ITEM	PART NO.	QTY.	DESCRIPTION
1	GA16772	1	Rear Flow Gate
2	GA16773	1	Rear Flow Gate (Opposite Side)
2	GA17242	1	Cylinder Crank Arm
3	GA16939	1	Rear Tunnel
4	GA16653	1	Front Flow Gate Door
5	GA16652	1	Front Flow Gate Door (Opposite Side)
6	GA17036	1	Mid Flow Gate
7	GA17037	1	Mid Flow Gate (Opposite Side)
8	G10108	21	Lock Nut, 3/8"-16
9	GA16318	3	Crank Tube Support
10	GA20094	1	Rear Torque Tube (1721)
11	GD23672	12	Door Linkage Plate
12	GA16319	6	Crank Arm
13	GD23679	1	Locating Ring, 2"
14	---	---	---
15	G10107	30	Lock Nut, 5/8"-11
16	G11391	46	Flat Washer, 5/8" SAE
17	GB0218	12	Bushing, 2 1/32" I.D. x 7/8" O.D. x 1 9/32" Long
18	G10008	30	Hex Head Cap Screw, 5/8"-11 x 2"
19	GB0654	6	Bushing
20	GB0672	6	Bushing
21	G10809	13	Hex Head Cap Screw, 3/8"-16 x 3 1/4"
23	GA17237	1	<a href="#">See "Hydraulic Flow Gate, Front Assembly (1721)" on page P61</a>
24	G11394	4	Flat Washer, 1" SAE
25	GR0375	2	Pin, 1" x 3 1/2"
26	---	---	---
27	GR0193	4	Hair Pin Clip
28	G11509	2	Hex Head Cap Screw, 5/8"-11 x 4 1/2", Grade 8
29	G11510	2	Locknut, 5/8"-11, Grade 8
30	GD24011	2	L.H. Safety Screen Bracket
31	GD24014	2	R.H. Safety Screen Bracket
32	---	---	---
33	---	---	---
34	G10003	8	Hex Head Cap Screw, 3/8"-16 x 1 1/2"
35	GA18554	2	Rear Safety Grate
36	G11387	8	Flat Washer, 3/8" SAE
37	GD23979	1	Tube Cover Plate
38	GD25306	1	Clamp Collar, 2"

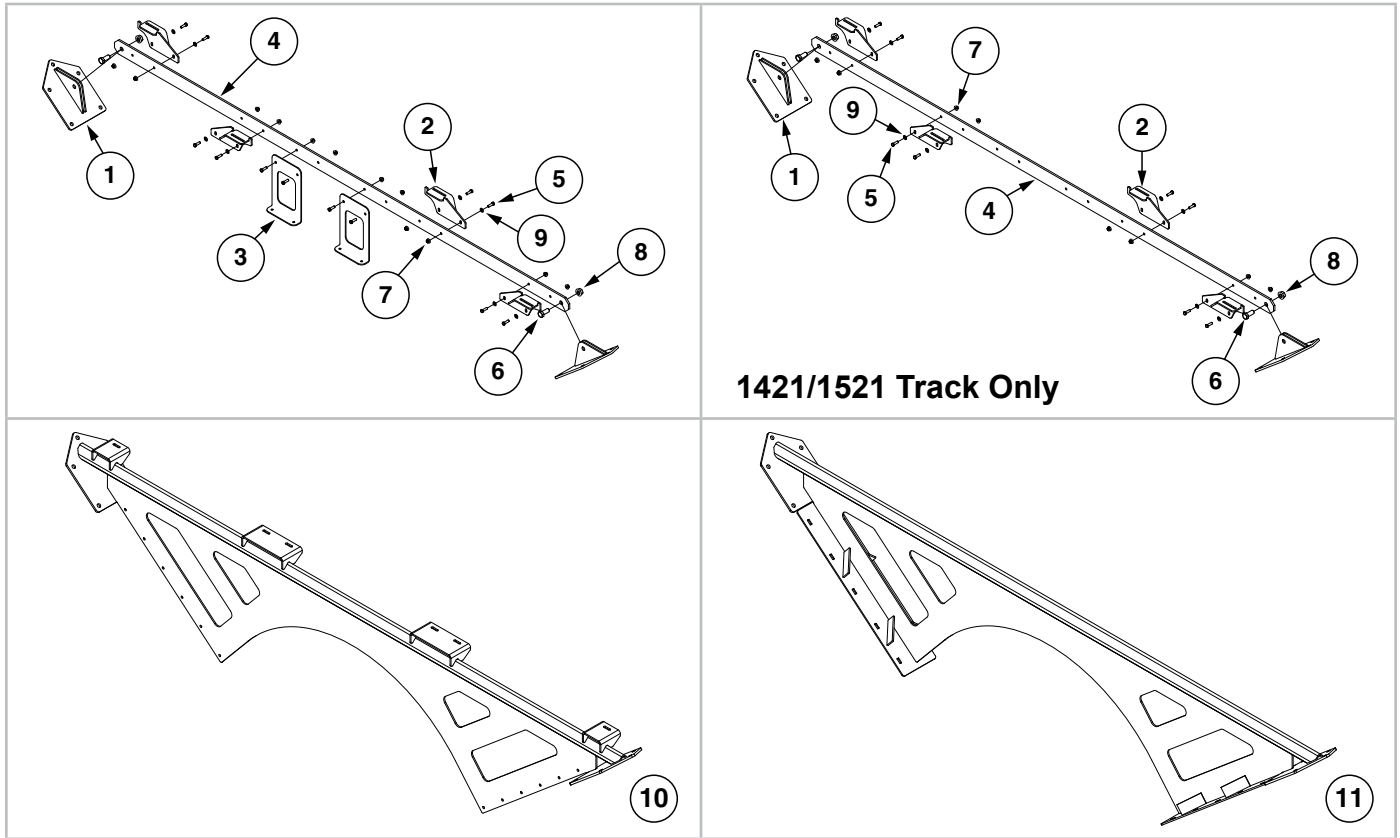
(105770)

1521 Model Shown





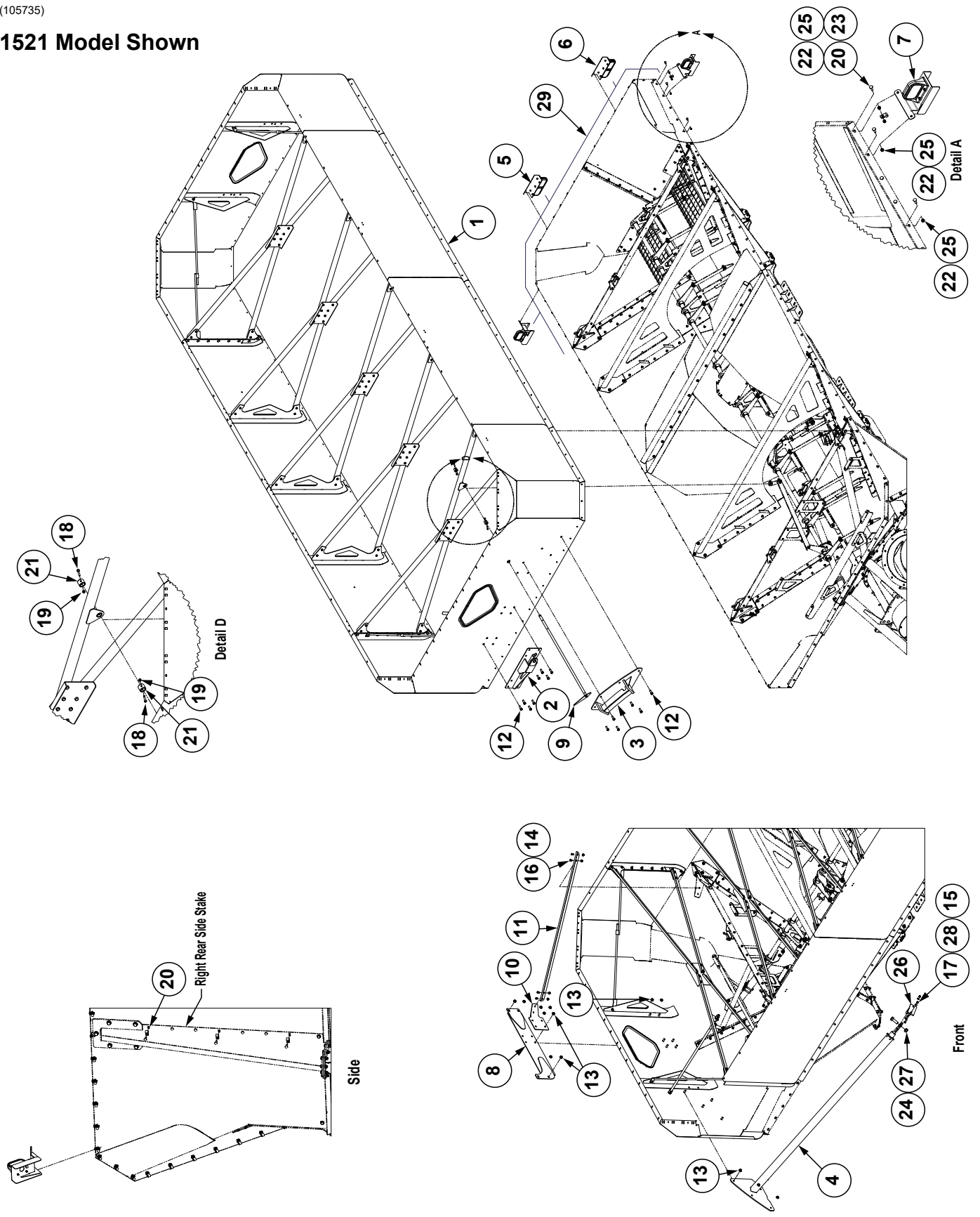
ITEM	PART NO.	QTY.	DESCRIPTION
1	---	1	<a href="#">See "Cross Brace Assemblies" on page P68</a>
2	---	1	<a href="#">See "Cross Brace Assemblies" on page P68</a>
3	GA16727	2	Tank Brace
4	GA16246	1	Stiffener Plate
5	GD24242	1	Front Screen Bracket Bar
6	GD24975	1	L.H. Front Screen Brace
7	GD24976	1	R.H. Front Screen Brace
8	GD24245	2	Rear Screen Brace
9	GD24063	6	Upper Screen Clamp Plate
10	GD36764	1	Front Safety Screen
11	GA16709	1	Front Side Stake, L.H.
12	GA16710	5	Side Stake
13	G11389	184	Flat Washer, 1/2" Plated SAE
14	G10111	88	Lock Nut, 1/2"-13
15	G10039	72	Hex Head Cap Screw, 1/2"-13 x 1 3/4"
16	G10569701	1	Side Stake W/Cleanout Storage
17	GA16278	1	Front Side Stake, R.H.
18	G11091	128	Serrated Flange Nut, 3/8"-16
19	G10004	17	Hex Head Cap Screw, 3/8"-16 x 1 1/4"
20	G10599	123	Carriage Bolt, 3/8"-16 x 1 1/4"
21	G10005	48	Hex Head Cap Screw, 5/8"-11 x 1 3/4"
22	GA16264	2	Mid Side Stake
23	GA19746 GA19740	1 -	Wheel Well Truss (1321/1421/1521/1721 Track) Shown Wheel Well Truss (1321/1421/1521 Flotation)
24	G10037	8	Hex Head Cap Screw, 1/2"-13 X 1 1/4"
25	G10071	8	Serrated Flange Nut, 1/2"-13
26	GA19744 GA19741	6 6	Screen (1321/1421/1521) Screen (1721)
27	GD26963	12	J-Bolt, 3/8"-16 x 3 3/4"
28	G11415	58	Serrated Flange Nut, 5/8"-11
29	G11391	50	Flat Washer, 5/8" SAE
30	G10017	16	Hex Head Cap Screw, 1/2"-13 x 1 1/2"
31	G11387	12	Flat Washer, 3/8" SAE
32	G10108	24	Lock Nut, 3/8"-16
33	G10008	2	Hex Head Cap Screw, 5/8"-11 x 2"
34	GD14671	4	U-Bolt, 3" x 3" x 5/8"-11
35	G10027	6	Hex Head Cap Screw, 3/4"-10 x 2 1/2"
36	G11392	12	Flat Washer, 3/4" SAE
37	G10112	6	Lock Nut, 3/4"-10
38	GD17161	1	Double Insulated Clamp
39	GD2558	1	Lynch Pin, 1/4"
40	GD28192	1	Wheel Well Truss Flange (Flotation Only)



ITEM	PART NO.	QTY.	DESCRIPTION
1	GA14773	-	Cross Brace
2	GA19747	-	Screen Bracket
3	GD24246	-	Screen Mount Bracket
4	GD28198	-	Side Support Brace
5	G10004	-	Hex Head Cap Screw, 3/8"-16 x 1 1/4"
6	G11042	-	Hex Head Cap Screw, 3/4"-10 x 1 3/4"
7	G11091	-	Serrated Flange Nut, 3/8"-16
8	G11314	-	Serrated Flange Nut, 3/4"-10
9	G11387	-	Flat Washer, 3/8" SAE
10	GA19742	-	Tub Brace
11	GA16727	-	Tub Brace (1421/1521)

(105735)

1521 Model Shown

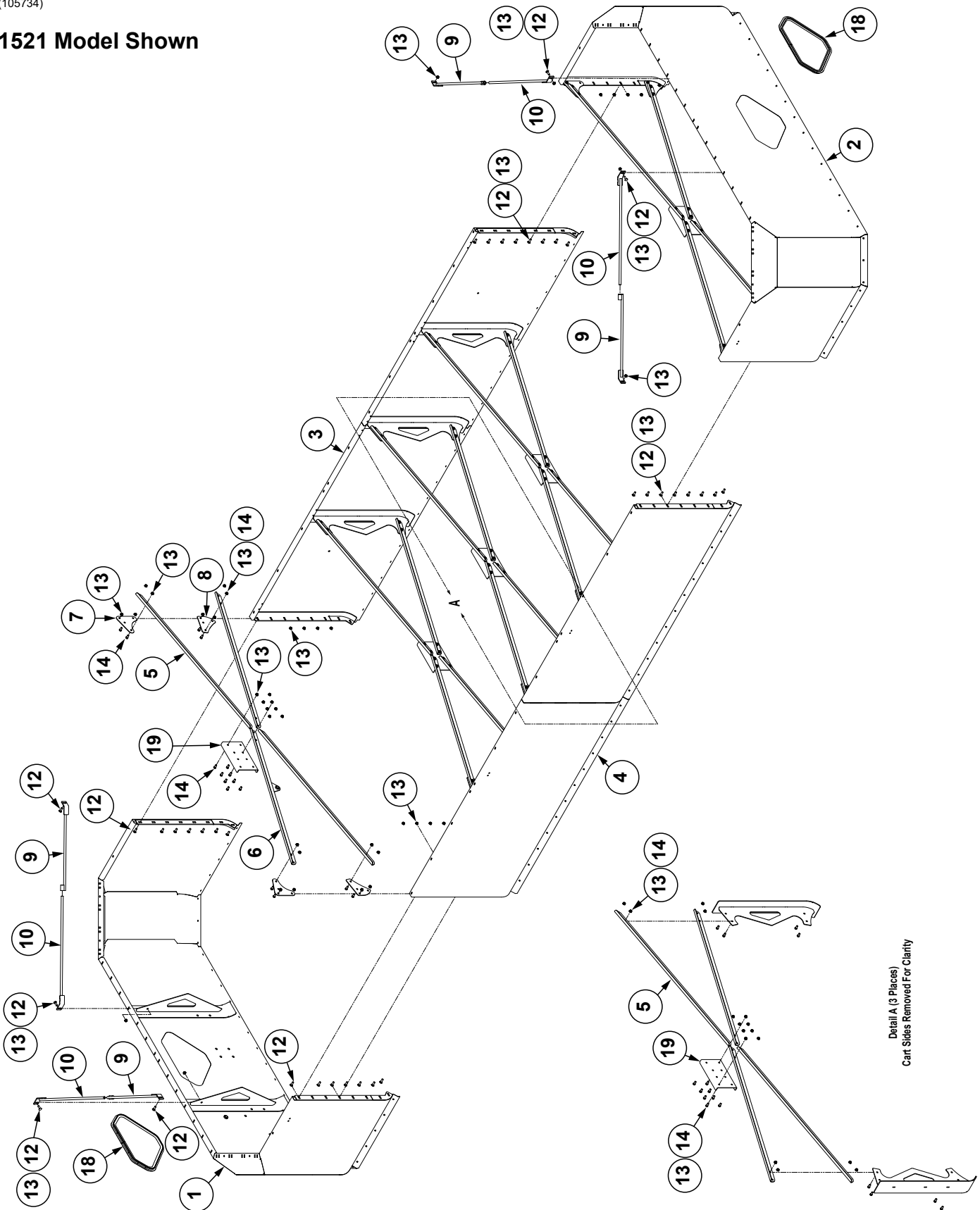




ITEM	PART NO.	QTY.	DESCRIPTION
1	G10573401	1	<a href="#">See "Upper Tank Side Panels and Bracing" on page P71</a>
2	GA16018	1	Auger Cylinder Mount
	GD24413	-	Spring Bushing
3	G10765401	1	Auger Rotate Mount
4	GA21661	1	Upper Tub Truss Support Assembly (1321)
	GA21667	1	Upper Tub Truss Support Assembly (1421/1521)
	GA21666	1	Upper Tub Truss Support Assembly (1721)
	GA20224	1	Ball Joint Assembly
5	---	1	<a href="#">See "Safety/Warning Lights" on page P119</a>
6	---	1	<a href="#">See "Safety/Warning Lights" on page P119</a>
7	---	2	<a href="#">See "Safety/Warning Lights" on page P119</a>
8	GA16718	1	Stiffener Plate
9	GA16694	1	Flow Gate Indicator (1321/1521/1721)
	GA25549	-	Flow Gate Indicator (1421)
10	GD23896	1	Vertical Auger Stiffener Plate
11	GD23897	1	Auger Brace Strap
12	G10005	14	Hex Head Cap Screw, 5/8"-11 x 1 3/4"
13	G11415	14	Serrated Flange Nut, 5/8"-11
14	G10014	4	Hex Head Cap Screw, 1/2"-13 x 1"
15	G11802	2	Hex Head Cap Screw, 1/2"-13 x 1 1/2", Grade 8
16	G10071	4	Serrated Flange Nut, 1/2"-13
17	G11511	2	Lock Nut, 1/2"-13
18	G10041	2	Hex Head Cap Screw, 5/16"-18 x 2"
19	G10109	2	Lock Nut, 5/16"-18
20	GD13348	30	Insulated Clamp, 1 1/16"
21	GD24951	2	Locking Sleeve
22	G10599	106	Carriage Bolt, 3/8"-16 x 1 1/4"
23	G10108	27	Lock Nut, 3/8"-16
24	G10119	1	Hex Head Cap Screw, 1"-8 x 3"
25	G11091	106	Serrated Flange Nut, 3/8"-16
26	GA20225	1	Pivot Bracket
27	G10396	1	Lock Nut, 1"-8
28	G11389	2	Flat Washer, 1/2" Plated SAE
29	G10536501	1	<a href="#">See "Electrical Schematic" on page P117</a>

(105734)

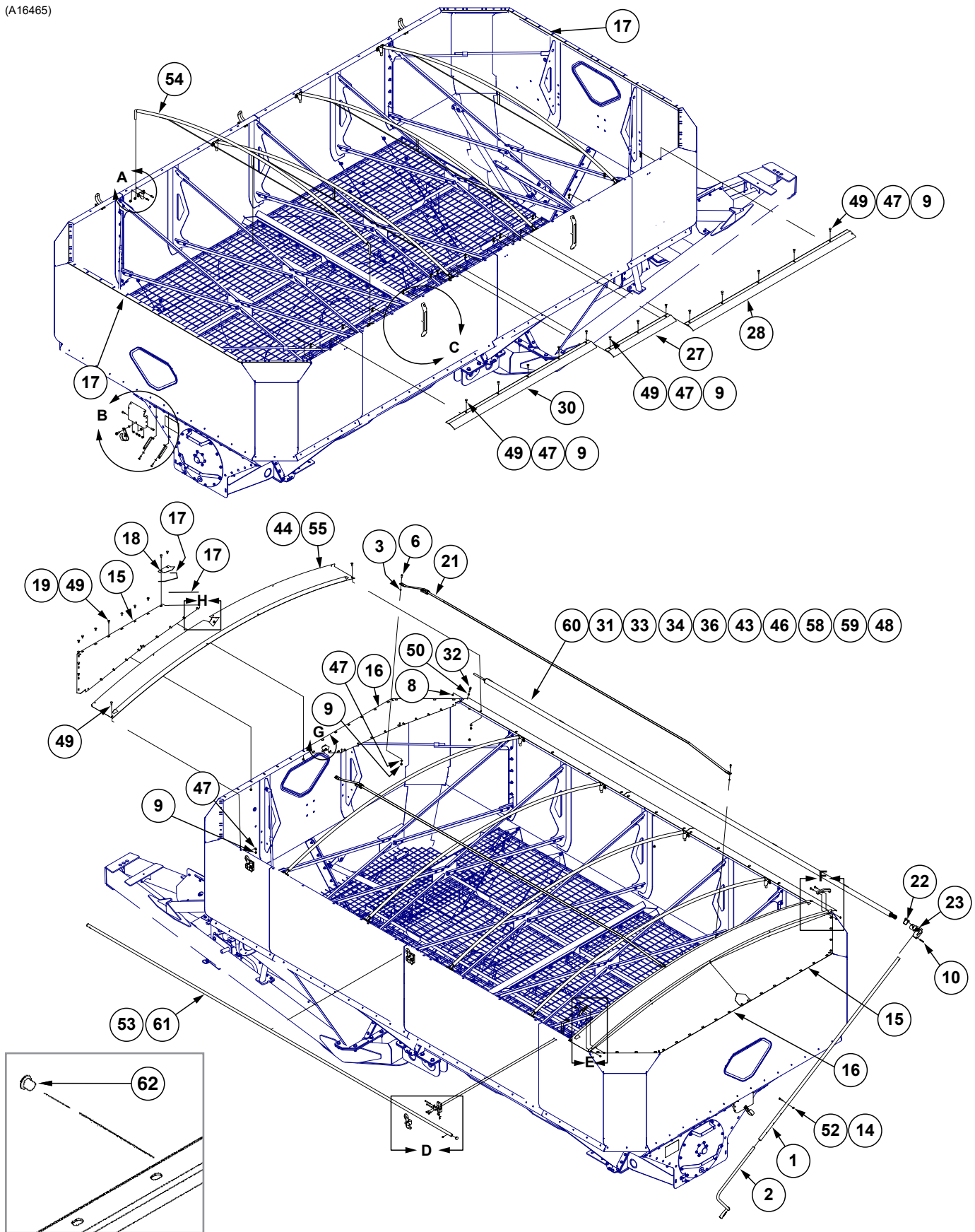
1521 Model Shown



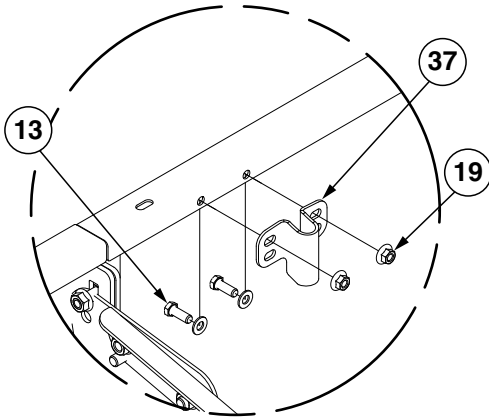
Detail A (3 Places)  
Cart Sides Removed For Clarity

ITEM	PART NO.	QTY.	DESCRIPTION
1	G10571701	1	Front Upper Tank (1321/1521/1721)
	G10572501	-	Front Upper Tank (1421)
2	G10571501	1	Rear Upper Tank (1321/1521/1721)
	G10572301	-	Rear Upper Tank (1421)
3	G10572801	1	Upper Side, R.H. (1321)
	G10574701	-	Upper Side, R.H. (1421)
	G10573301	-	Upper Side, R.H. (1521)
	G10573901	-	Upper Side, R.H. (1721)
4	G10575701	1	Upper Side, L.H. (1321)
	G10576701		Upper Side, L.H. (1421)
	G10576101		Upper Side, L.H. (1521)
	G10573901		Upper Side, L.H. (1721)
5	GD23295	19-27	Cross Brace Strap (1321/1521/1721)
	GD35334	19	Cross Brace Strap (1421)
6	GA16996	1	Flow Gate Indicator Support (1321/1521/1721)
	GA25302	1	Flow Gate Indicator Support (1421)
7	GD23296	4	Upper Cross Plate (1321/1521/1721)
	GD35335	4	Upper Cross Plate (1421)
8	GD23297	4	Lower Cross Plate (1321/1521/1721)
	GD35336	4	Lower Cross Plate (1421)
9	GA15638	4	Rear Side Brace
10	GA16156	4	Panel Brace
12	G10636	36	Carriage Bolt, ½"-13 x 1½"
13	G10071	116	Serrated Flange Nut, ½"-13
14	G10014	80	Hex Head Cap Screw, ½"-13 x 1"
18	GA15624	2	Window
19	GD26682	5	Center Cross Plate (1321/1521/1721)
	GD35337	5	Center Cross Plate (1421)

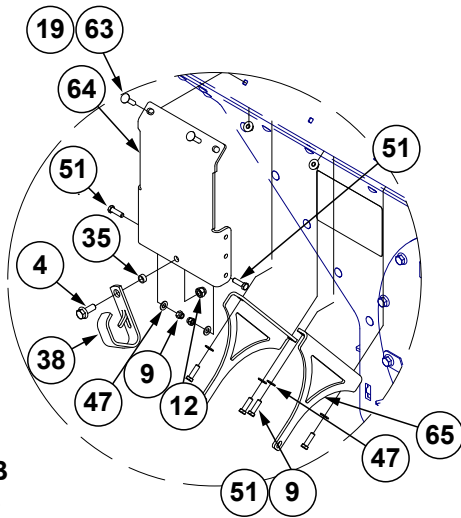
(A16465)



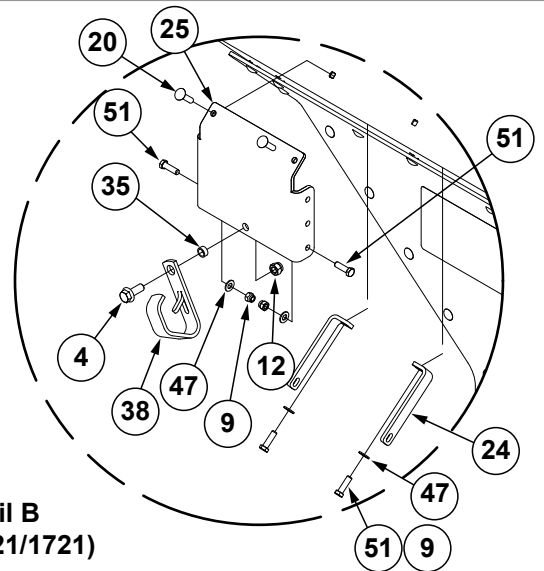
(A16465a)



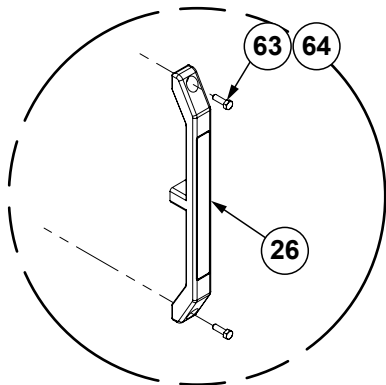
Detail A (8 Places)



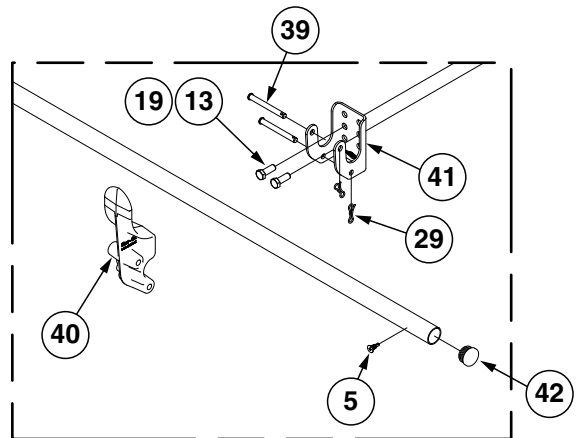
Detail B (1421)



Detail B (1321/1521/1721)

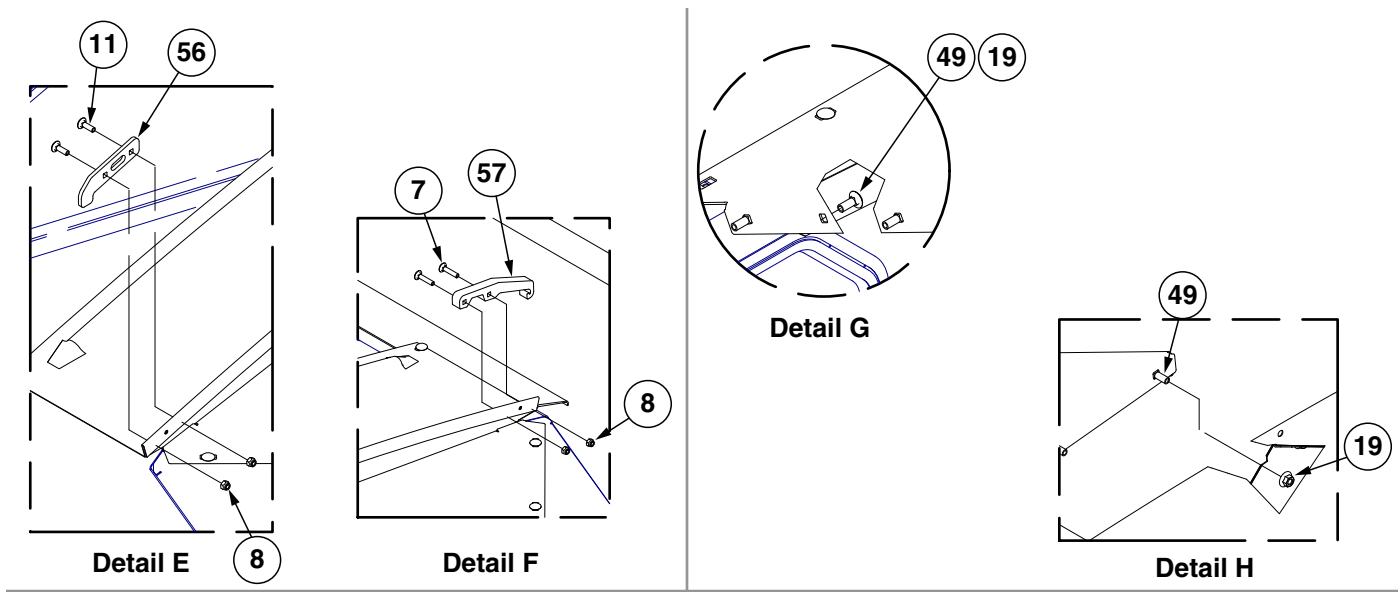


Detail C (3 Places)



Detail D

Continued on following page.

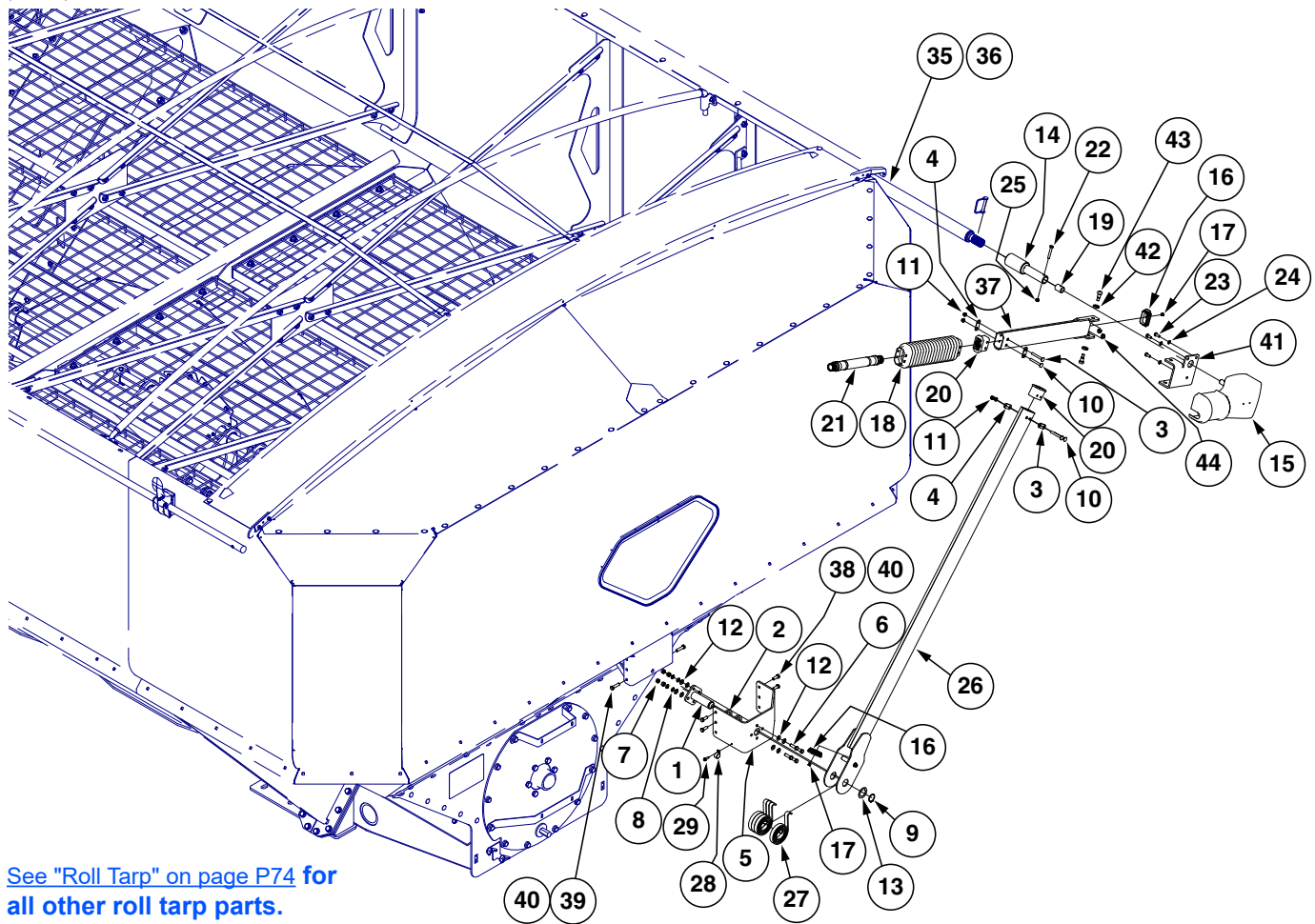


ITEM	PART NO.	QTY.	DESCRIPTION
1	GA21314	1	Upper Crank Pipe, Long
2	GA21313	1	Crank Arm, Short
3	GD19169	4	Anchor Bushing
4	G11724	1	Hex Non-Serrated Flange Cap Screw, 1/2"-13 x 1 1/4", Grade 5
5	G11723	2	Phillips Flat Head Tapping Screw, 1/4"-14 x 3/4"
6	G11721	4	Hex Button Head Cap Screw, 3/8"-16 x 1"
7	G11299	2	Lock Washer, 3/8"
8	G11182	5	Lock Nut W/Nylon Insert, 5/16"-18
9	G10901	23	Lock Nut, 3/8"-16
10	G10610	1	Spring Pin, 3/8" x 2
11	G10303	2	Carriage Bolt, 5/16"-18 x 1"
12	G10111	1	Lock Nut, 1/2"-13
13	G10001	22	Hex Head Cap Screw, 3/8"-16 x 1"
14	G10047	1	Hex Head Cap Screw, 3/8"-16 x 1 3/4"
15	GA16357	2	Tarp End Cap
16	GA16356	2	Tarp End Cap
17	GD25077-01	2	Foam Strip
18	GD23515	2	End Cap Filler
19	G11091	135	Serrated Flange Nut, 3/8"-16
20	G10305	88	Carriage Bolt, 3/8"-16 x 1"
21	GA13443	2	Ridge Strap
22	GA13345	1	Universal Joint Clip
23	GA13344	1	Universal Joint Crank
24	GD27082	2	Crank Support Bar
25	GD27081	1	Crank Retainer Bracket
26	G10590001	2	Roll Tube Deflector
27	GD23849	1	Latch Plate, 37" (1321)
	GD23850	1	Latch Plate, 77" (1421/1521)
	GD23851	2	Latch Plate, 56" (1721)
28	GD23848	1	Front Latch Plate, 96"
29	GD20596	6	Bow Tie Cotter Pin, 1 3/8"

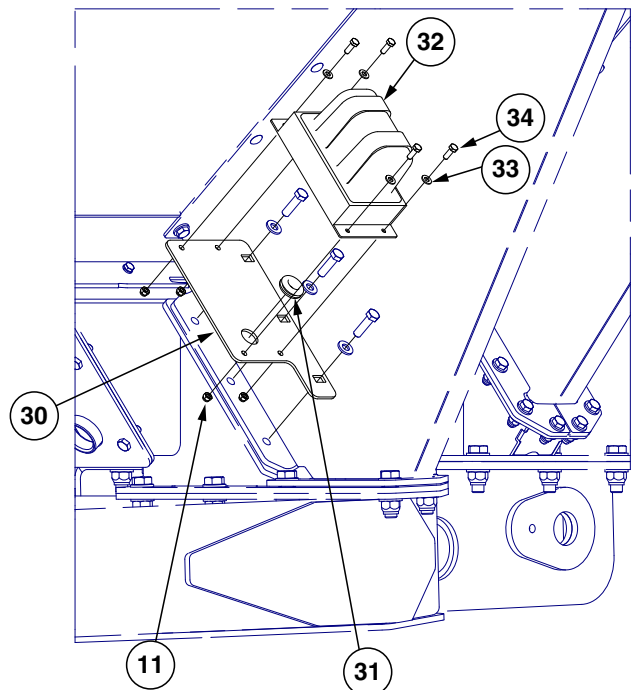
Continued on following page.

ITEM	PART NO.	QTY.	DESCRIPTION
30	GD23847	1	Rear Latch Plate, 84"
31	GD19171	1	Cord Protector
32	GD19067	1	Eye Bolt, 5/16"-18 x 1"
33	GD19068	6	Phillips Pan Head Self-Tapping Screw, 1/4" x 3/4"
34	GD18990	6	Half Round Tarp Clamp
35	GD18987	1	Crank Retainer Bushing
36	GD18986	1	Stretch Cord
37	GD18982	8	Bow Bracket
38	GD18980	1	Crank Retainer Hook
39	GD18978	6	Tarp Stop Pin
40	GD31526	3	Tarp Stop Shank
41	GD18976	3	Tarp Stop Bracket
42	GD18975	2	Fixed Tube End Plug
43	GD18974	1	Roll Tube End Plug
44	G10772001	-	Weather Seal
45	---	---	---
46	G11389	1	Flat Washer, 1/2" Plated SAE
47	G11387	34-52	Flat Washer, 3/8" SAE
48	G11229	1	Slotted Pan Head Self-Tapping Screw, 10-16 x 1/2"
49	G10599	15	Carriage Bolt, 3/8"-16 x 1 1/4"
50	G10106	1	Hex Nut, 5/16"-18
51	G10004	4	Hex Head Cap Screw, 3/8"-16 x 1 1/4"
52	G10108	1	Lock Nut, 3/8"-16
53	GA16453	1	Tarp (1321)
	GA16454	-	Tarp (1421/1521)
	GA16455	-	Tarp (1721)
54	GA22224	4	Bow
55	GA16450	2	Top Mount Cap
56	GD29479	1	L.H. Tarp Protector
57	GD29478	1	R.H. Tarp Protector
58	GD18991	1	Roll Return Pipe
59	GD18992	2	Roll Return Pipe
60	GA16447	1	Roll Tube (1321)
	GA16448	1	Roll Tube (1421/1521)
	GA18154	1	Roll Tube (1721)
61	GD23841	1	Fixed Tube (1321)
	GD23842	1	Fixed Tube (1421/1521)
	GA18155	1	Fixed Tube (1721)
62	G11406	-	Locking Plastic Plug, 3/8"
63	G10019	4	Hex Head Cap Screw, 5/16"-18 x 1"
64	G10620	4	Serrated Flange Nut, 5/16"-18
A	G1K617	-	Tarp Protector Kit (Includes Items, 7-8, and 56-57)

(A16469)

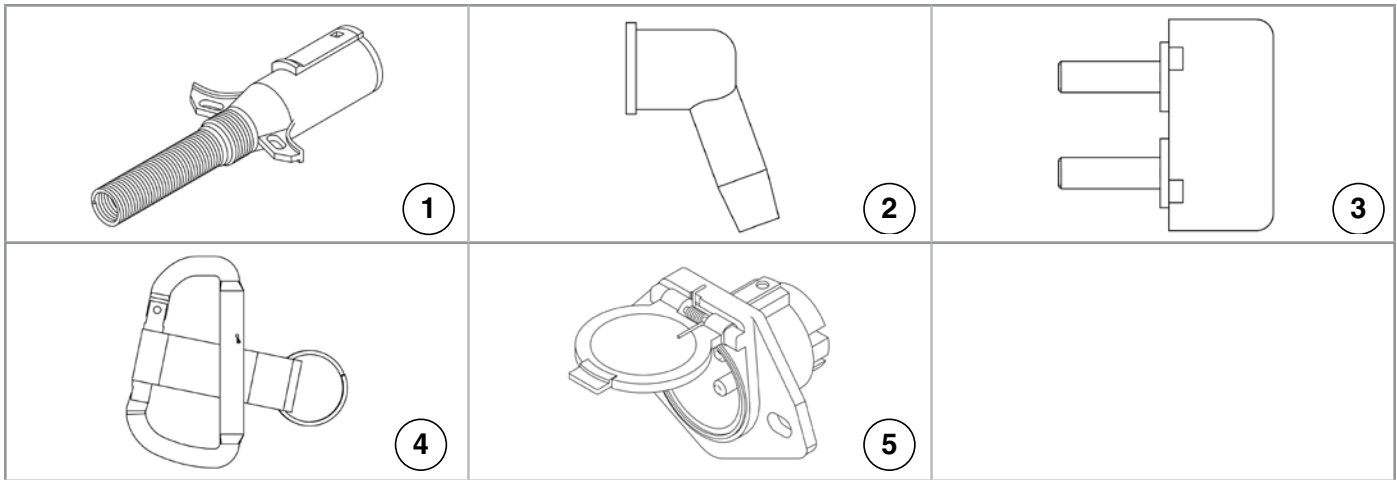


See "Roll Tarp" on page P74 for all other roll tarp parts.





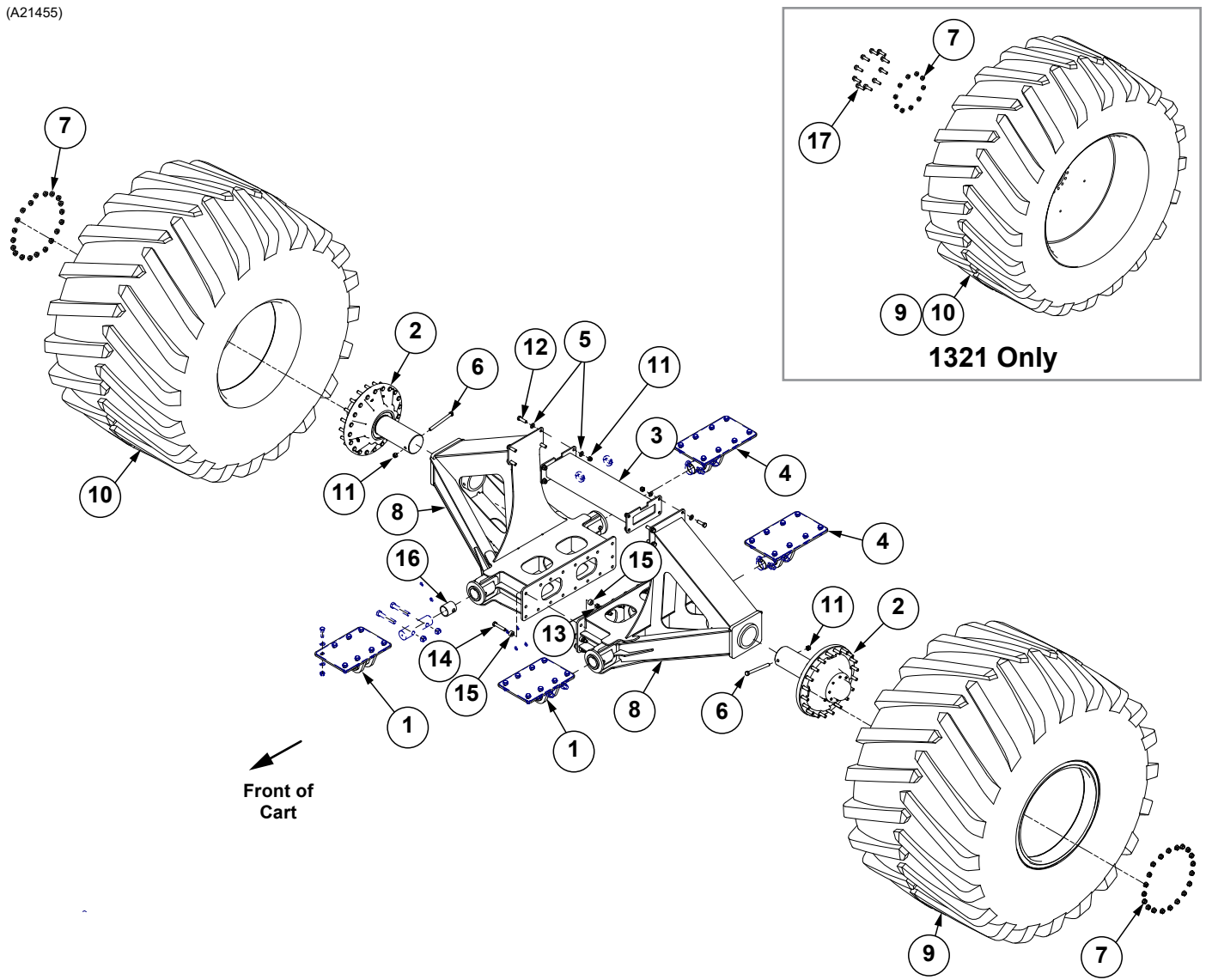
ITEM	PART NO.	QTY.	DESCRIPTION
1	GA16460	1	Pivot Pin
2	GD24094	2	Spacer Washer
3	GD27039	2	Bellow Plate
4	GD27041	2	Bellow Plate
5	GD27095	1	Pivot Bracket
6	G10004	4	Hex Head Cap Screw, 3/8"-16 x 1 1/4"
7	G10101	4	Hex Nut, 3/8"-16
8	G10229	4	Lock Washer, 3/8"
9	G10430	1	External Retaining Ring, 1 1/4"
10	G10902	4	Carriage Bolt, 5/16"-18 x 2 1/2"
11	G11182	8	Lock Nut W/Nylon Insert, 5/16"-18
12	G11387	8	Flat Washer, 3/8" SAE
13	G11484	1	Flat Washer
14	GA18833	1	Motor Adapter
15	GA18840	1	Durabilt Motor, 3 1/8" Shaft
16	GD27042	2	Cap Plug W/Hole
17	GD27043	2	Dome Plug
18	GD27044	1	Bellow Rubber Arm
19	GD27036	1	Motor Adapter Sleeve Bearing
20	GD27100	2	Flexible Arm Joint End Cap
21	GD23855	1	Flex Arm Joint
22	G10041	1	Hex Head Cap Screw, 5/16"-18 x 2"
23	G10043	3	Hex Head Cap Screw, 5/16"-18 x 3/4"
24	G10232	3	Lock Washer, 5/16"
25	G10109	1	Lock Nut, 5/16"-18
26	GA18836	1	Lower Flex Arm
27	GD23856	4	Spiral Torsion Spring
28	G11483	1	Wire Clip
29	G10570	1	Slotted Hex Self-Tapping Screw, 1/4"-20 x 3/4"
30	GD24041	1	Receiver Mount
31	GR2059	1	Rubber Grommet
*32	GA25270	1	Wireless Receiver (Shurco P/N: 1127124) (Must Be Used With GA25269)
	GA25269	-	Remote (Shurco P/N: 1705780) (Must Be Used With GA25270)
	G11001001	-	Wireless Receiver (Shurco P/N: 1131585) (Must Be Used With G11001101)
	G11001101	-	Remote (Shurco P/N: 1131576) (Must Be Used With G11001001)
*GA25270 / GA25269 must be used together and G11001001 / G11001101 must be used together, these items cannot be interchanged.			
33	G11386	4	Flat Washer, 5/16" SAE
34	G10991	4	Hex Head Cap Screw, 5/16"-18 x 7/8"
35	GD19068	3	Phillips Pan Head Self-Tapping Screw, 1/4" x 3/4"
36	GD18990	3	Half Round Tarp Clamp
37	GA18835	1	Upper Flex Arm
38	G10001	4	Hex Head Cap Screw, 3/8"-16 x 1"
39	G10003	2	Hex Head Cap Screw, 3/8"-16 x 1 1/2"
40	G11091	6	Serrated Flange Nut, 3/8"-16
41	GD27037	1	Motor Mount Bracket
42	GD27038	2	Upper Arm Spacer
43	G11605	2	Hex Socket Head Shoulder Screw, 5/8" x 3/8"-16
44	G10901	2	Lock Nut, 3/8"-16
A	G9492X	-	Manual to Electric Tarp Conversion Package



ITEM	PART NO.	QTY.	DESCRIPTION
1	GD24253	-	Male Plug
2	GD24254	-	Insulating Boot
3	GA16780	-	40 Amp Circuit Breaker
4	GA16778	-	Carabineer Keystrip
5	GD24252	-	Female Plug

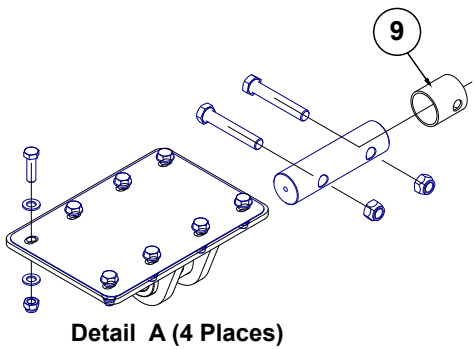
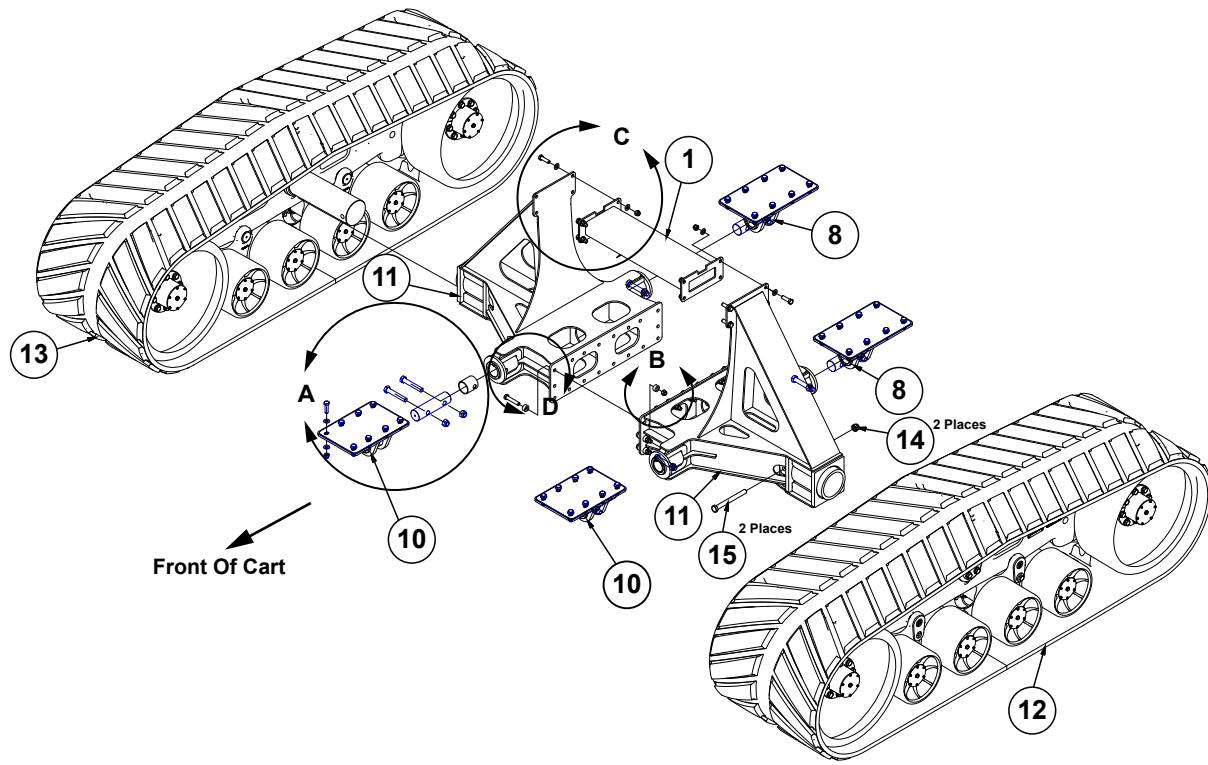
**This page left blank intentionally.**

(A21455)

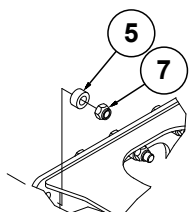


ITEM	PART NO.	QTY.	DESCRIPTION
1	GA20220	2	Front Axle Frame
2	---	2	<a href="#">See "Hub Assembly (1321 Flotation)" on page P99</a>
		2	<a href="#">See "Hub Assembly (1421/1521 Flotation)" on page P100</a>
3	GA16296	1	Crossover Tube
4	GA20211	2	Rear Axle Frame
5	G11392	16	Flat Washer, 3/4" SAE
6	G10400	2	Hex Head Cap Screw, 3/4"-10 x 6 1/2" (1321)
	G10895	2	Hex Head Cap Screw, 3/4"-10 x 8 1/2" (1421/1521)
7	G10625	40	Flange Nut, 3/4"-16
8	GA20207	2	Flotation Axle (1321)
	GA20206	2	Flotation Axle (1421/1521)
9	---	1	<a href="#">See "Tire Assemblies (Flotation)" on page P101</a>
10	---	1	<a href="#">See "Tire Assemblies (Flotation)" on page P101</a>
11	G10112	10	Lock Nut, 3/4"-10
12	G10027	8	Hex Head Cap Screw, 3/4"-10 x 2 1/2"
13	GD29053	18	Lock Nut, 3/4"-10, Grade C
14	GD29052	18	Hex Head Cap Screw, 3/4"-10 x 4", Grade 8
15	GD29032	36	Spacer, 1/2" O.D. x .813 I.D. x 3/4"
16	GD29292	4	Inner Weigh Beam Sleeve
17	GD16712	20	Bolt, 3/4"-16 x 2 1/2" (1321 Only)

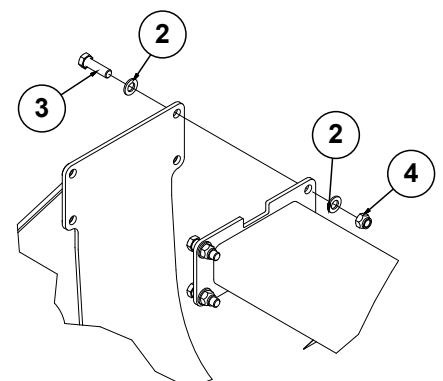
(A24363)



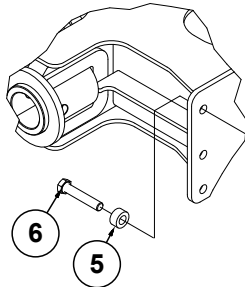
Detail A (4 Places)



Detail B (18 Places)



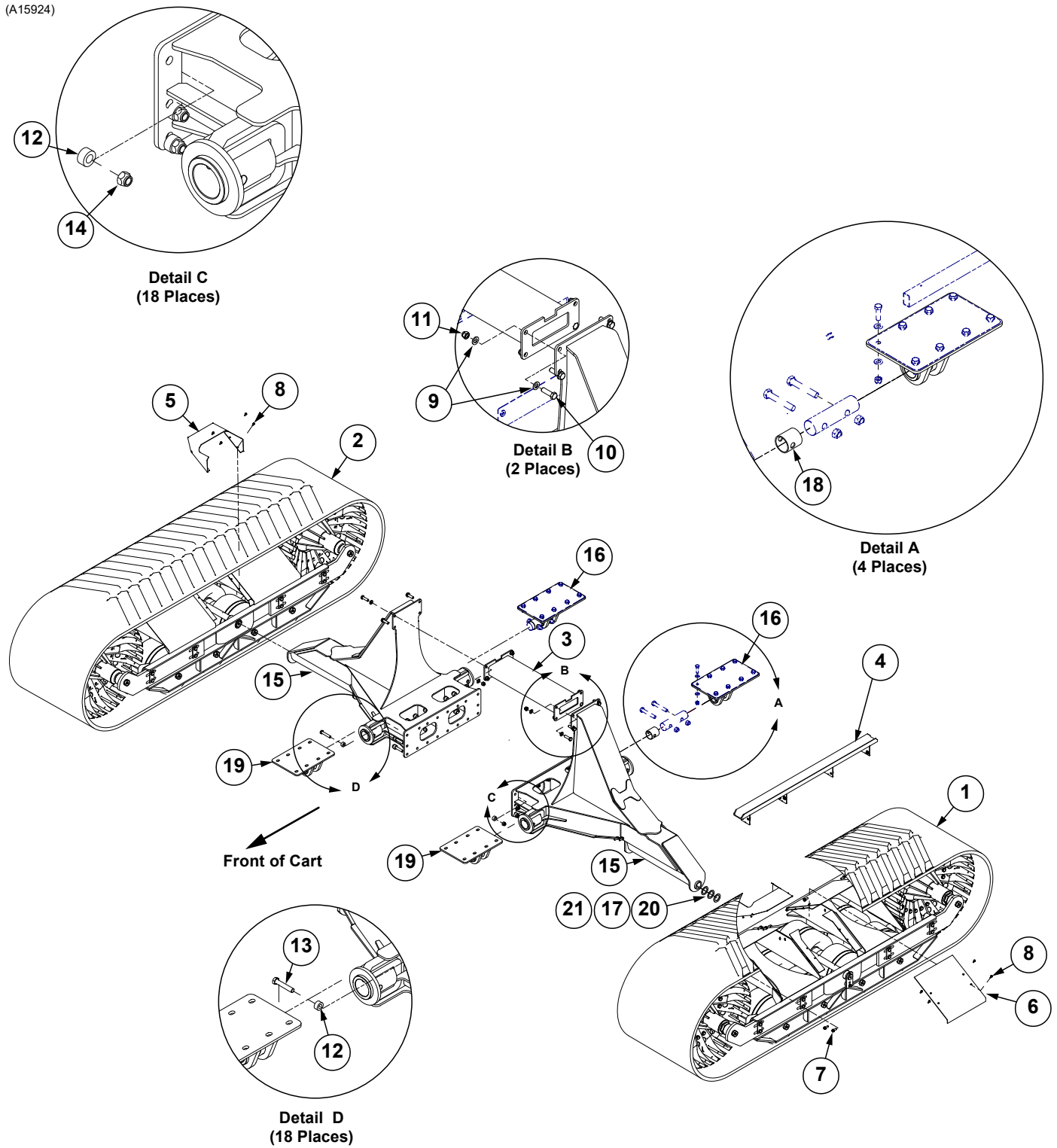
Detail C (2 Places)



Detail D (18 Places)

ITEM	PART NO.	QTY.	DESCRIPTION
1	GA16296	1	Crossover Tube
2	G11392	16	Flat Washer, 3/4" SAE
3	G10027	8	Hex Head Cap Screw, 3/4"-10 x 2 1/2"
4	G10112	8	Lock Nut, 3/4"-10
5	GD29032	36	Spacer, 1/2" O.D. x .813 I.D. x 3/4"
6	GD29052	18	Hex Head Cap Screw, 3/4"-10 x 4", Grade 8
7	GD29053	18	Lock Nut, 3/4"-10, Grade C
8	GA20211	2	Rear Axle Frame
9	GD29292	4	Inner Weigh Beam Sleeve
10	GA20220	2	Front Axle Frame
11	GA24359	2	Track Axle
12	---	1	<a href="#">See "Track Assembly (1321/1421/1521)" on page P87</a>
13	---	1	<a href="#">See "Track Assembly (1321/1421/1521)" on page P87</a>
14	G10396	2	Lock Nut, 1"-8
15	G10808	2	Hex Head Cap Screw, 1"-8 x 10", Grade 8

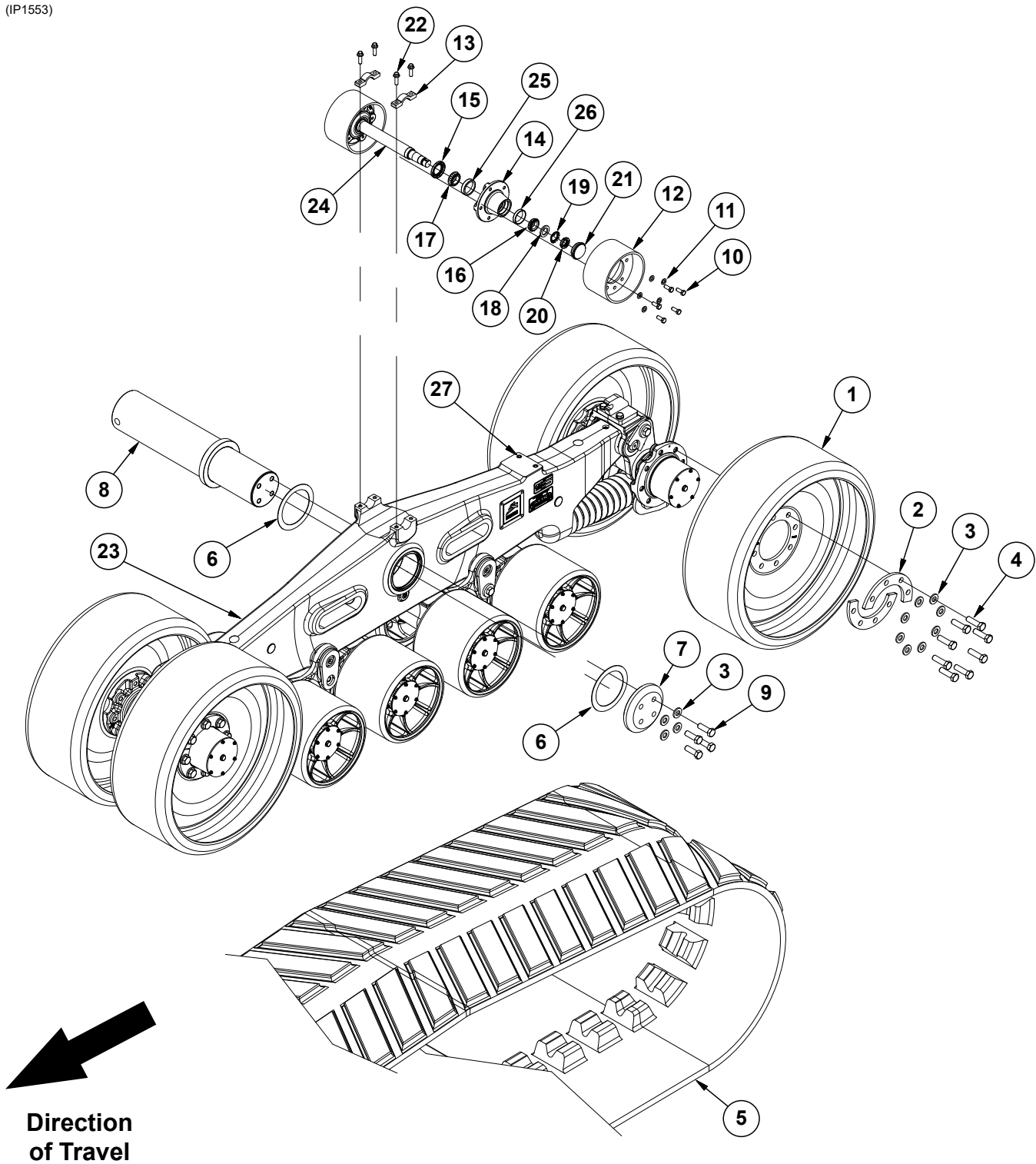
(A15924)





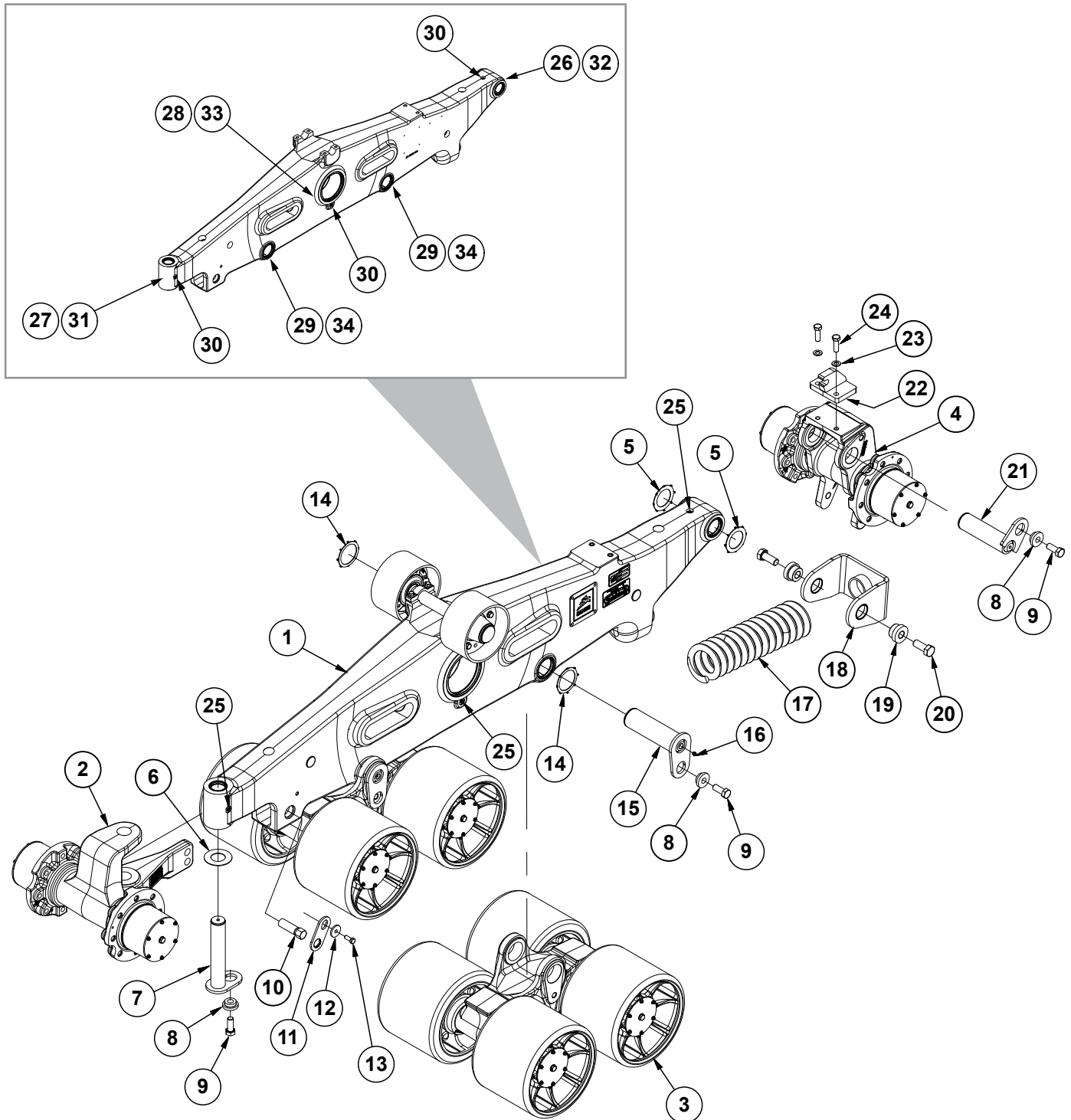
ITEM	PART NO.	QTY.	DESCRIPTION
1	---	1	<a href="#">See "36" Track Assembly (1721)" on page P96</a>
2	---	1	<a href="#">See "36" Track Assembly (1721)" on page P96</a>
3	GA16296	1	Crossover Tube
4	GA15838	2	Track Guide
5	GD25203	2	Mud Sheild
6	GD22880	2	Mud Sheild Cover
7	G11271	16	Hex Socket Flange Cap Screw, 1/2"-13 x 1 1/4"
8	G11480	16	Hex Socket Flange Cap Screw, 5/16"-18 x 1"
9	G11392	16	Flat Washer, 3/4" SAE
10	G10027	8	Hex Head Cap Screw, 3/4"-10 x 2 1/2"
11	G10112	8	Lock Nut, 3/4"-10
12	GD29032	36	Spacer, 1/2" O.D. x .813 I.D. x 3/4"
13	GD29052	18	Hex Head Cap Screw, 3/4"-10 x 4", Grade 8
14	GD29053	18	Lock Nut, 3/4"-10, Grade C
15	GA20209	2	Track Axle (1721)
16	GA20211	2	Rear Axle Frame
17	G10404	2	Machine Bushing, 3 1/8" x 2 1/8" x 3/16"
18	GD29292	4	Inner Weigh Beam Sleeve
19	GA20220	2	Front Axle Frame
20	G10234	2	Machine Bushing, 2 1/8", 10 Gauge (.1345")
21	G10336	2	Machine Bushing, 2 1/8", 14 Gauge (.0747")

(IP1553)



ITEM	PART NO.	QTY.	DESCRIPTION
1	GD34884	4	Idler Wheel
2	GD34856	8	Idler Wheel Back-up Ring
3	GD34836	36	Idler Washer
4	G12211-70	32	Hex Head Cap Screw, M20-2.5 x 70
5	GD34885	1	Pull Behind Track, 302" x 36"
6	GD34887	2	Thrust Washer
7	GD34888	1	End Cap
8	GD34886	1	Main Pin
9	G12210-60	4	Hex Head Cap Screw, M20-2.5 x 60
10	G12207-30	10	Hex Head Cap Screw, M12-1.75 x 30
11	G12039	10	Flat Washer, M12
12	GD34879	2	Roller Carrier
13	GD34859	2	Axle Retainer, Thin Block
14	GD34838	2	Hub W/Bearing Races
15	GD34869	2	Grease Seal
16	GR2277	2	Outer Bearing
17	GR2276	2	Inner Bearing
18	GD34858	2	Tongued Washer
19	GD34865	2	Lock Washer
20	GD34864	2	Lock Nut
21	GD34873	2	Hub Cap
22	G12208-40	4	Hex Socket Flange Cap Screw, M12-1.75 x 40
23	---	-	<a href="#">See "Track Main Frame (1321/1421/1521)" on page P89</a>
24	GD34857	-	Axle Roller Carrier
25	GD34839	1	Carrier Inner Bearing Race
26	GD34840	1	Carrier Outer Bearing Race
27	GD35092	2	Tapered Plug, M16 x 2
A	GA24938	-	Roller Assembly, Items 14-21 and 24-26

(IP1554)



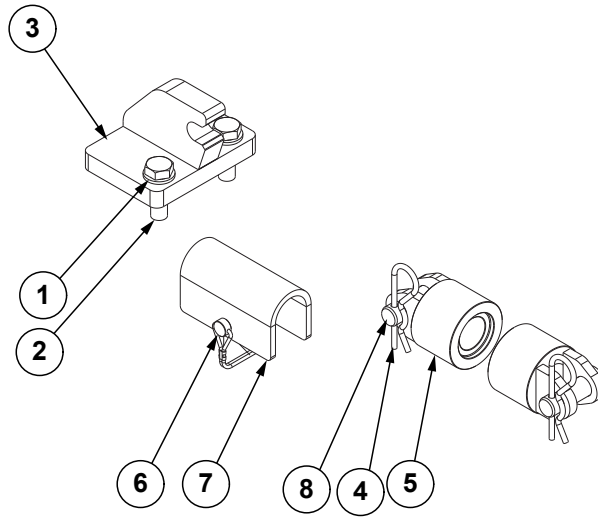
## Track Main Frame (1321/1421/1521)

M0316-02

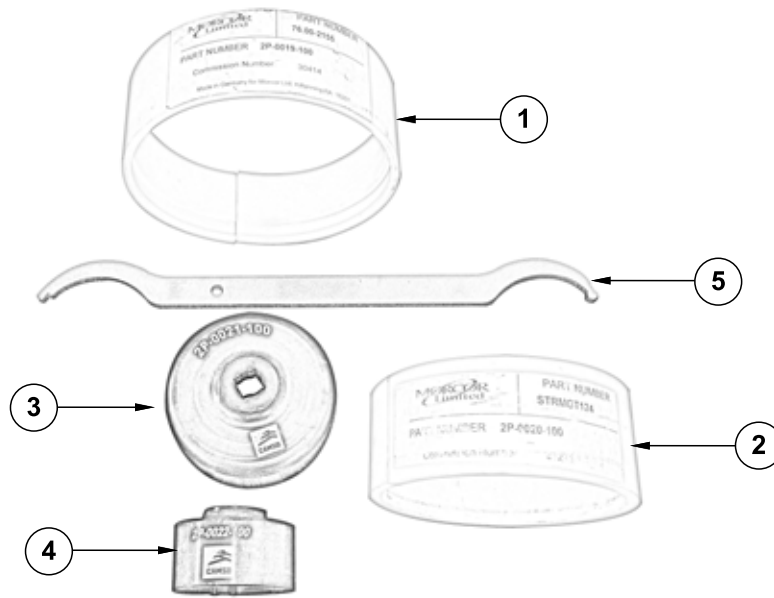
Grain Cart

ITEM	PART NO.	QTY.	DESCRIPTION
1	GA24936	1	Main Frame (Non-Stock Item)
2	GA24942	1	Alignment
3	GA24940	2	<a href="#">See "Bogie Hub Assembly (1321/1421/1521)" on page P93</a>
4	GA24939	1	Tension Link
5	GD34861	2	Thrust Washer, 60mm
6	GD34854	1	Thrust Washer
7	GD34878	1	Pin, 50mm
8	GD34855	4	Flanged Spacer
9	G12209-50	4	Hex Head Cap Screw, M20-2.5 x 50
10	GD35091	2	Long Head Set Screw, 1½" x 85mm
11	GD34853	2	Lock Plate
12	GD34851	2	Flanged Spacer
13	G12207-30	2	Hex Head Cap Screw, M12-1.75 x 30
14	GD34863	4	Thrust Washer
15	GD34882	2	Pin
16	G10641	2	Grease Fitting, ⅛" NPT
17	GD34874	1	Spring
18	GD34843	1	Seat Spring
19	GD34862	2	Flanged Spacer
20	G12206-60	2	Hex Head Cap Screw, M24-3.0 x 60
21	GD34880	1	Tensioner Pin
22	GD34891	1	Bracket
23	G12040	2	Flat Washer, M16
24	G12205-50	2	Hex Head Cap Screw, M16-2.0 x 50
25	G10641	4	Grease Fitting, ⅛" NPT
26	GD34846	2	Bushing
27	GD34847	2	Bushing
28	GD34849	2	Bushing
29	GD34850	4	Bushing
30	G10641	4	Grease Fitting, ⅛" NPT
31	GD34867	2	Scraper Seal
32	GD34868	2	Scraper Seal
33	GD34870	2	Scraper Seal
34	GD34872	4	Scraper Seal

(A24944)

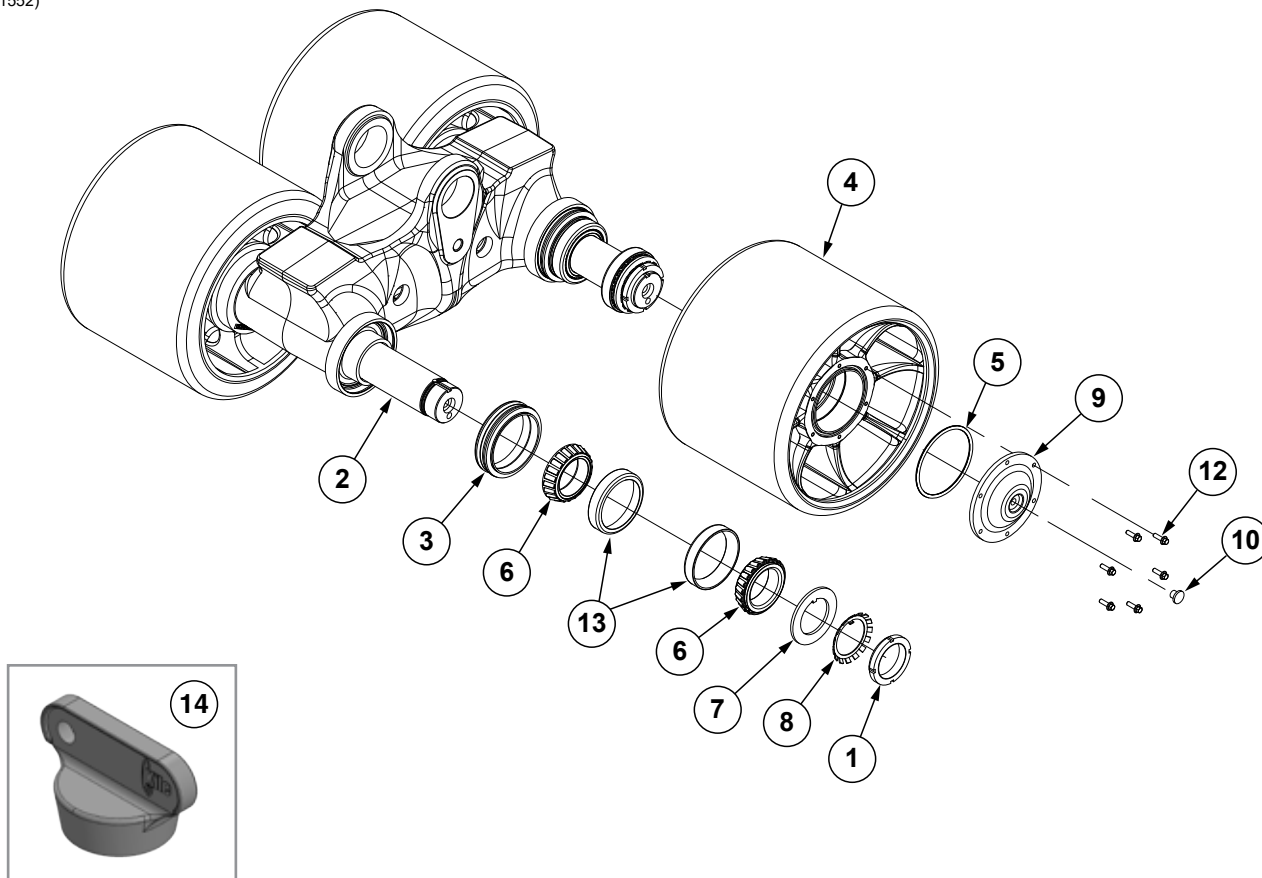


ITEM	PART NO.	QTY.	DESCRIPTION
1	G12040	2	Flat Washer, M16
2	G12205-50	2	Hex Head Cap Screw, M16-2.0 x 50
3	GD34891	1	Bracket
4	G12204	2	Hair Pin Clip, 5MM
5	GD34892	2	Cylinder End
6	GD35310	1	Wire Lock Pin, 5/16" x 3 1/8"
7	GD34889	1	Locking C Shape Plate
8	G12203	2	Clevis Pin, M20 x 60
A	GA24944	-	Detensioing Tool Kit Complete, Items 1-8



ITEM	PART NO.	QTY.	DESCRIPTION
1	GD34893	1	Seal Installation Tool
2	GD34945	1	Seal Installation Tool
3	GD34946	1	Bearing Locknut Socket, TN-12
4	GD34947	1	Bearing Locknut Socket, N-06
5	GD34948	1	Locknut Tab Bender

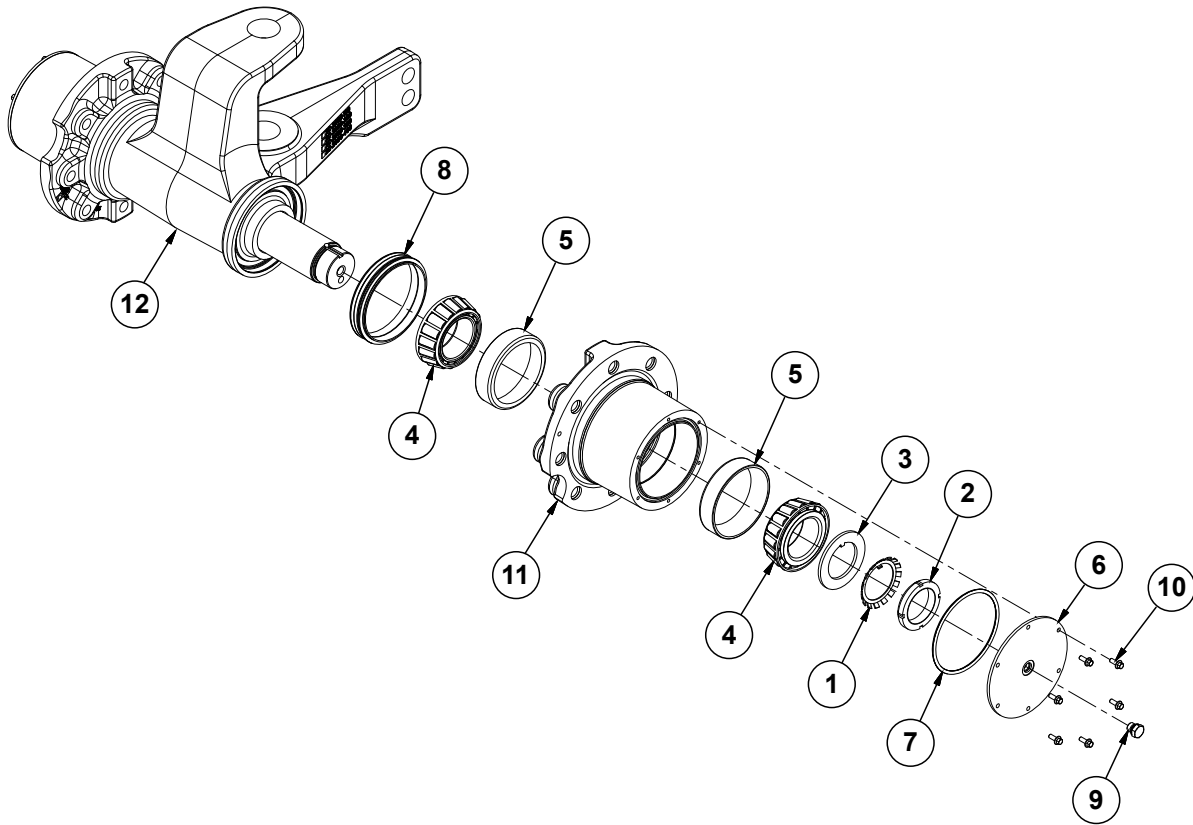
(IP1552)



ITEM	PART NO.	QTY.	DESCRIPTION
1	GD35090	4	Idler and Mid Roller Locknut
2	GA24941	1	Bogie Hub
3	GD34871	4	High Temp O-Ring
4	GD34883	4	Mid-Roller Wheel
5	GD34835	4	O-Ring
6	GR2278	8	Mid-Roller Bearing (Includes Item 13)
7	GD34837	4	Tongue Washer
8	GD34890	4	Idler Lock Washer
9	GD36718	4	Clear Cap Cover
10	GD36717	4	Oil Plug
11	---	---	---
12	G12221	24	Hex Non-Serrated Flange Cap Screw, M6-1.0 x 20
13	GR2278	8	Mid-Roller Bearing Race (Includes Item 6)
14	GD36719	-	Oil Plug Tool
A	GA24940	---	Bogie Hub Assembly (Items 1-13)

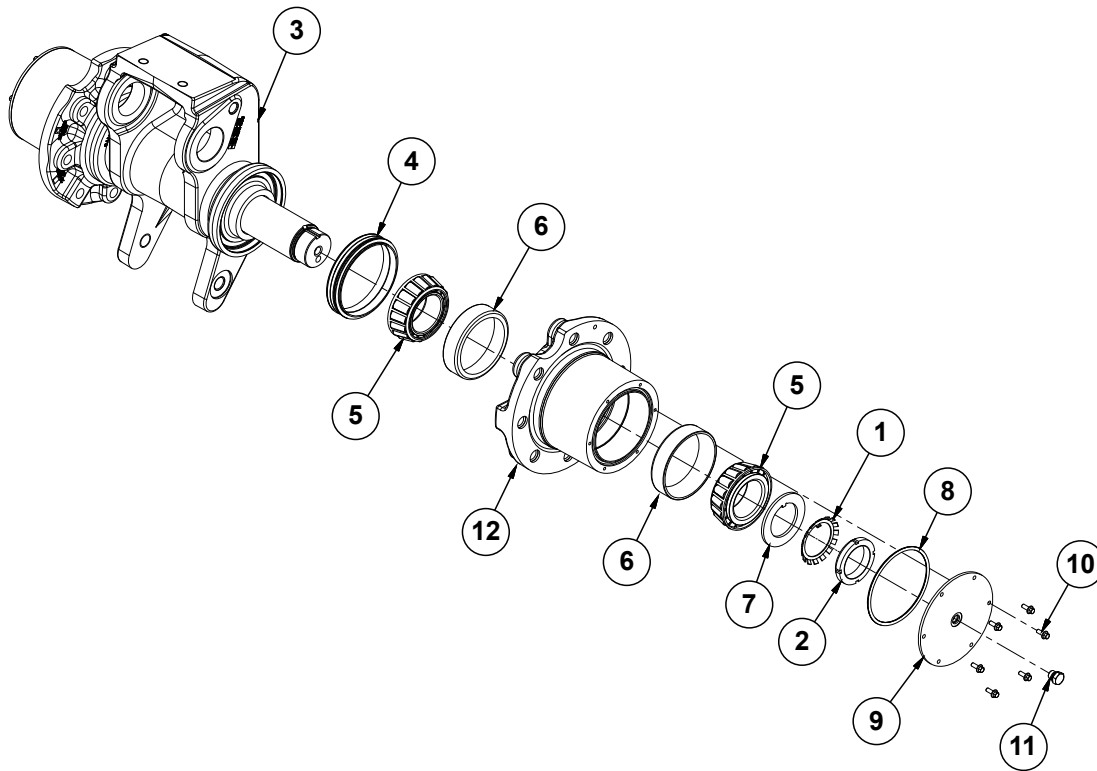


(IP1555)



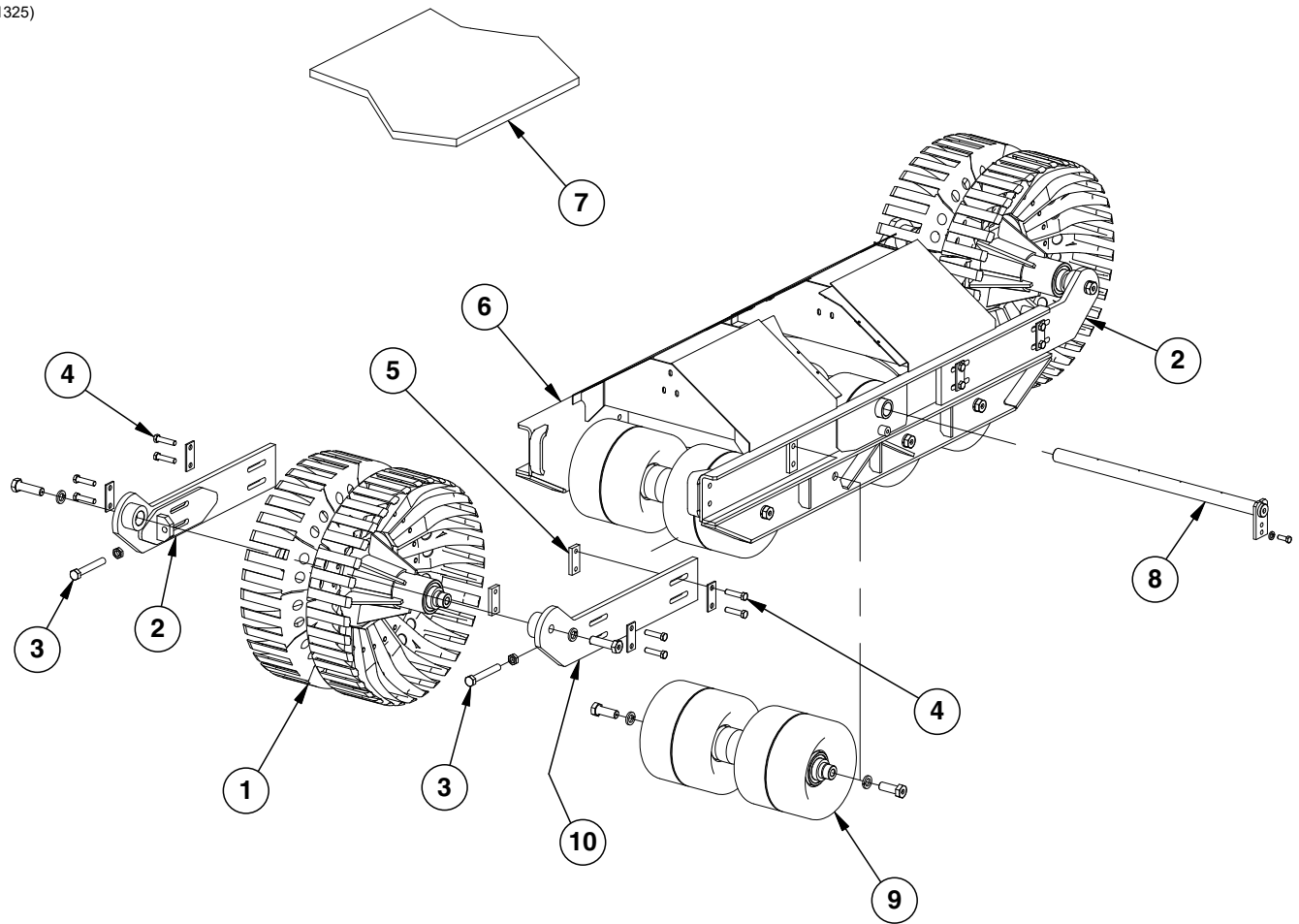
ITEM	PART NO.	QTY.	DESCRIPTION
1	GD34890	2	Idler Lock Washer
2	GD35090	2	Idler and Mid Roller Locknut
3	GD34837	2	Tongue Washer
4	GA25054	4	Idler Bearing
5	GD34842	4	Idler Bearing Race
6	GD34852	2	Idler Hub Cover
7	GD34866	2	O-Ring
8	GD34944	2	Seal
9	GD34943	2	Plug
10	G12202-16	12	Hex Socket Flange Cap Screw, M6-1.0 x 16
11	GA24943	1	Idler Hub
12	GD34845	1	Alignment Link
A	GA24942	-	Alignment Link W/Hubs

(IP1556)



ITEM	PART NO.	QTY.	DESCRIPTION
1	GD34890	2	Idler Lock Washer
2	GD35090	2	Idler and Mid Roller Locknut
3	GD34844	1	Tension Link
4	GD34944	2	Seal
5	GA25054	4	Idler Bearing
6	GD34842	4	Idler Bearing Race
7	GD34837	2	Tongue Washer
8	GD34866	2	O-Ring
9	GD34852	2	Idler Hub Cover
10	G12202-16	12	Hex Socket Flange Cap Screw, M6-1.0 x 16
11	GD34943	2	Plug
12	GA24943	1	Idler Hub
A	GA24939	-	Tension Link W/Hubs

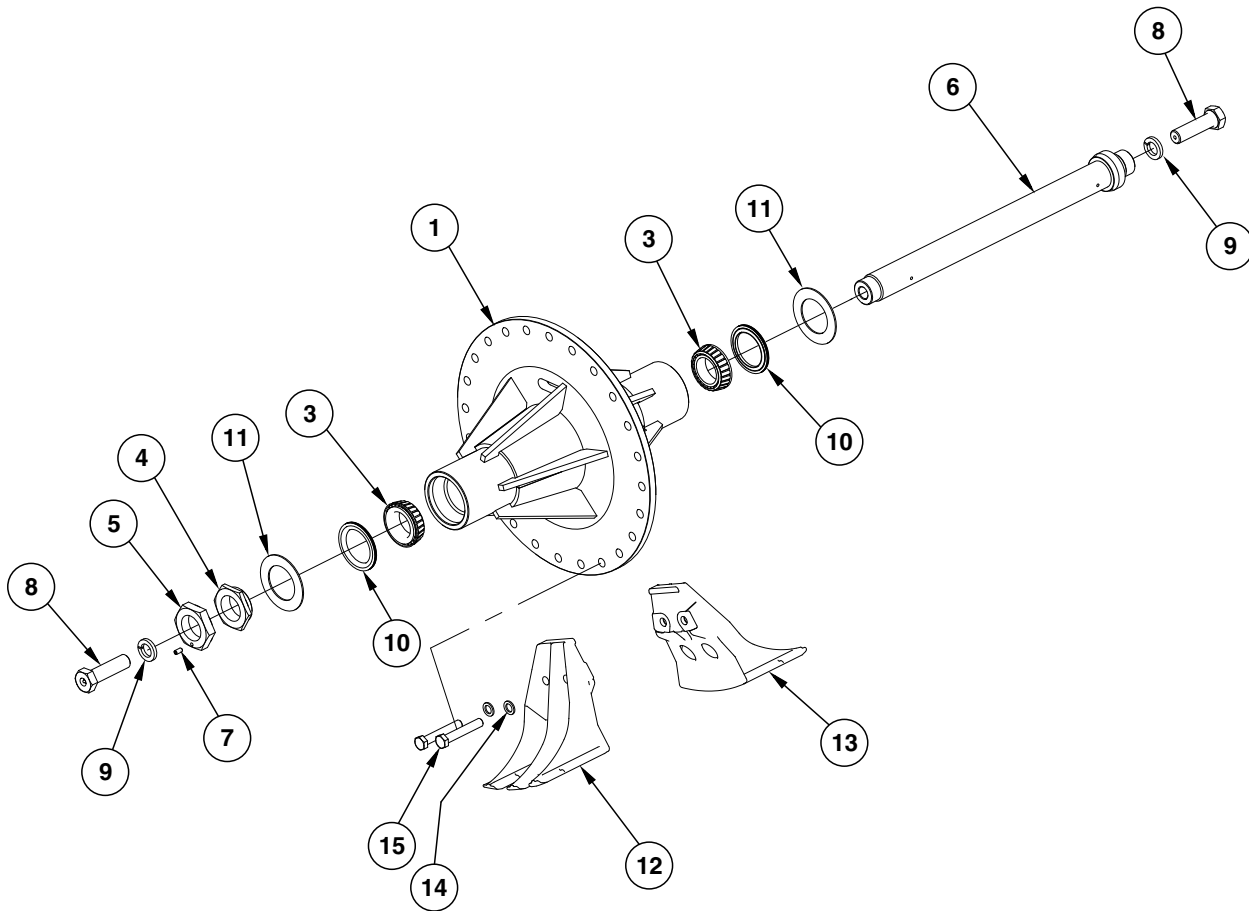
(IP1325)



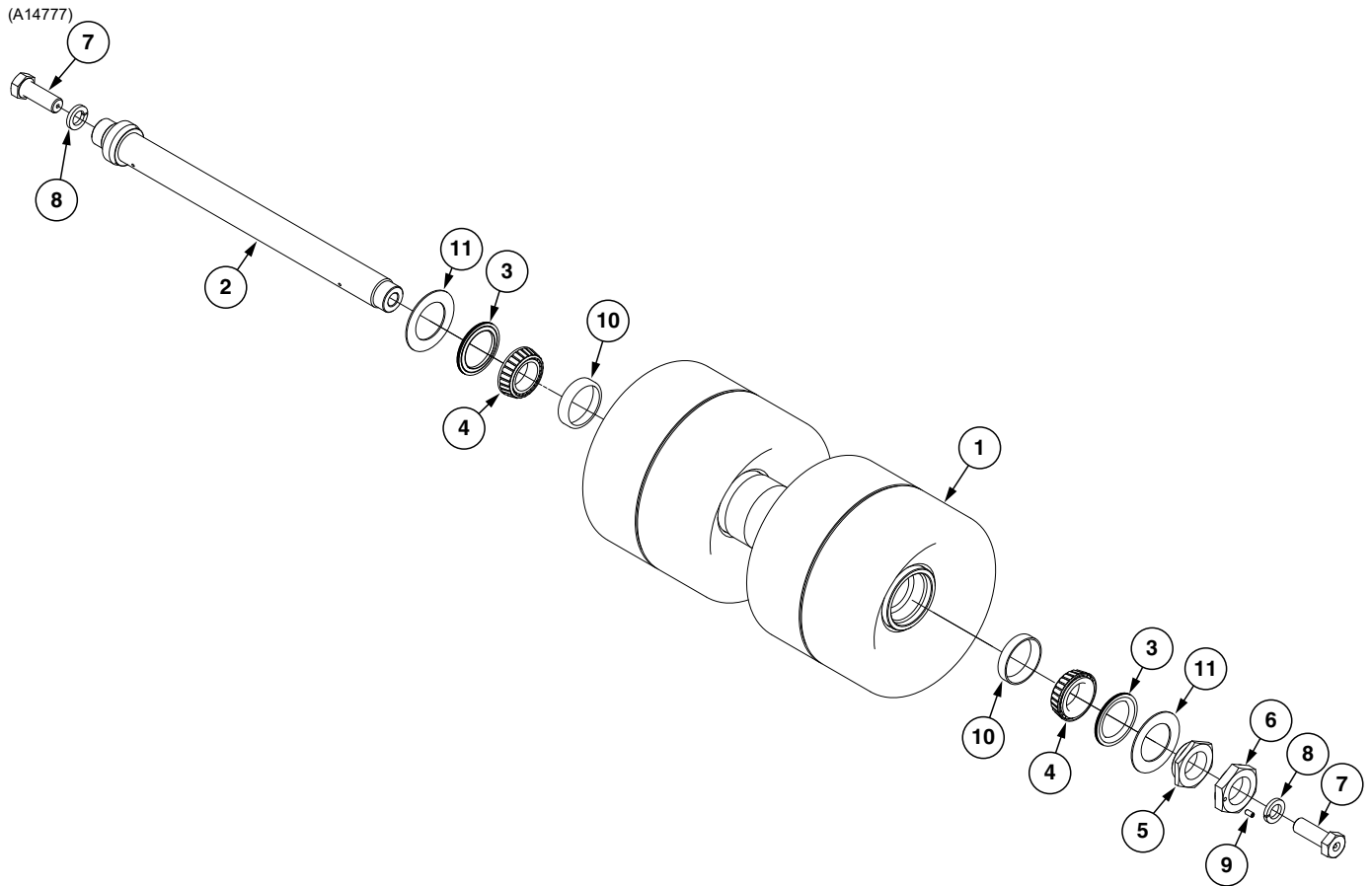
ITEM	PART NO.	QTY.	DESCRIPTION
1	---	24	<a href="#">See "Track End Wheel" on page P128</a>
2	GA14784	2	End Wheel Arm
3	G10539	4	Hex Head Cap Screw, 1"-14 x 7"
	G10324	4	Hex Jam Nut, 1"-14, Grade 2
4	G11039	16	Hex Head Cap Screw, 3/4"-16 x 3/4", Grade 8
	GD24758	8	Backing Plate (1721)
5	GD24759	8	Backing Plate (1721)
6	GA15594	1	Track Carriage (1721)
7	GD9900	1	Rubber Track, 36" (Specify Brand*)
8	GA15591	1	Stub Axle Pin (1721)
	G10005	1	Hex Head Cap Screw, 5/8"-11 x 1 3/4"
	G10230	1	Lock Washer, 5/8"
9	---	4	<a href="#">See "Track Mid Wheel (1721)" on page P98</a>
10	GA14785	2	End Wheel Arm

\*Specific brand requests will be supplied only as available from current Kinze Repair Parts stock. If a specific brand requested is not in stock, the brand available will be supplied.

(IP1326)

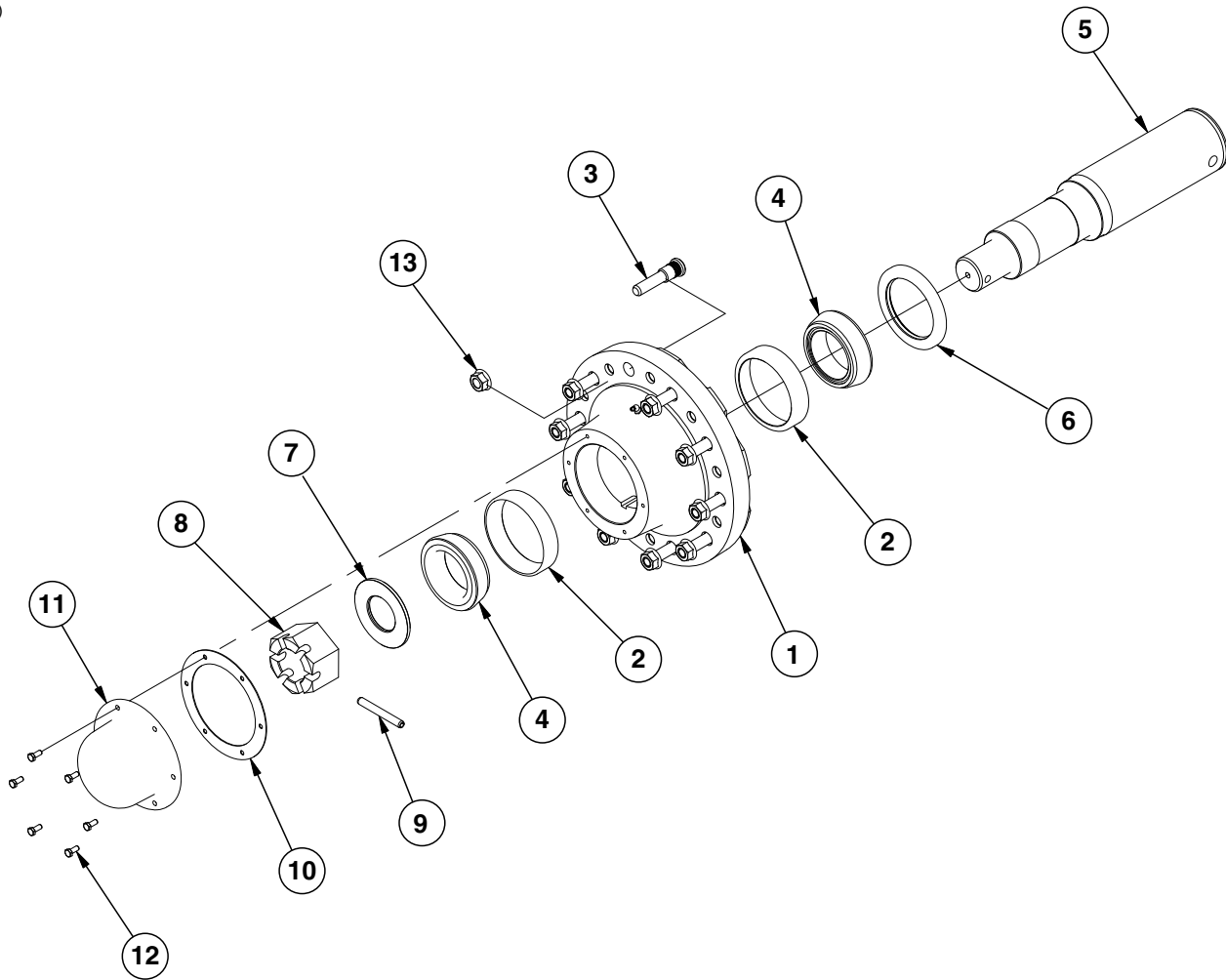


ITEM	PART NO.	QTY.	DESCRIPTION
1	GA15589	1	End Wheel Hub with Cups (1721)
	GR0323	2	Cup
2	---	-	---
3	GA0779	2	Bearing
4	GD24952	1	Stepped Nut, 2½"-12
5	GD7460	1	Jam Nut, 2½"-12
6	GA17147	1	Spindle (1721)
7	G10535	1	Hex Socket Set Screw, ⅜"-16 x ¾"
8	GA14328	2	Hub Bolt Assembly
	GD20399	-	Hub Bolt, 1¼" x 4½"
	G10641	-	Grease Fitting, ⅛" NPT
9	G10236	2	Lock Washer, 1¼"
10	GD7452	2	Seal
11	GD28679	2	Washer, UHMW Polyethylene
12	GD20443	12	Cast Iron Segment, Drilled
13	GD20444	12	Cast Iron Segment, Tapped
14	GD2169	24	Special Washer, 25/32" I.D. x 1¼" O.D., Hardened
15	G10029	24	Hex Head Cap Screw, ¾"-10 x 4½"
A	GA15590	-	End Wheel Hub Assembly, (Items 1-11) (1721)



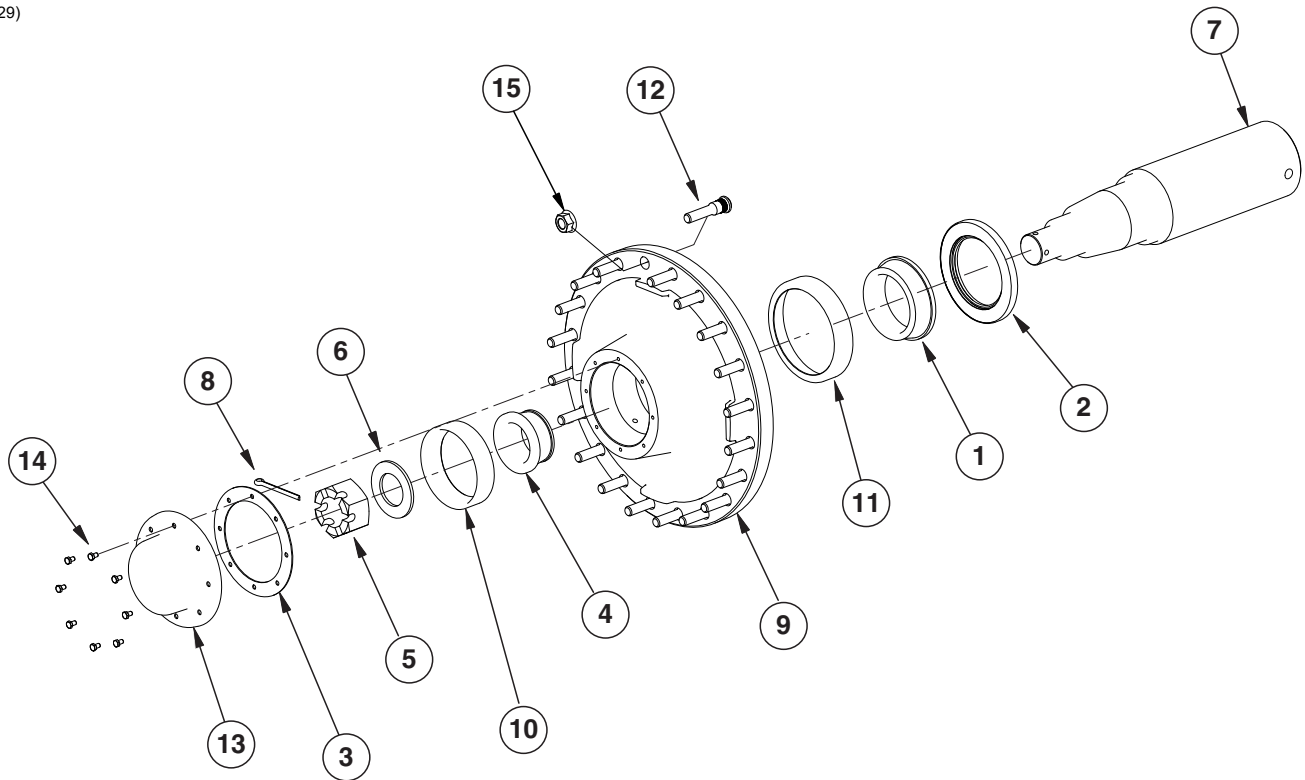
ITEM	PART NO.	QTY.	DESCRIPTION
1	GA15585	1	Mid Wheel (1721)
2	GA17147	1	Spindle (1721)
3	GD7452	2	Seal
4	GA0779	2	Bearing
5	GD24952	1	Stepped Nut, 2½"-12
6	GD7460	1	Jam Nut, 2½"-12
7	GA5487 G10641 GD7497	2 - -	Bolt W/Grease Fitting, 1¼" x 3½", Grade 8 Grease Fitting, ⅛" NPT Hub Bolt, 1¼"-7 x 3½"
8	G10236	2	Lock Washer, 1¼"
9	G10535	1	Hex Socket Set Screw, ⅜"-16 x ¾"
10	GR0323	2	Cup (Part of Item 1)
11	GD28679	2	Washer, UHMW Polyethylene
A	GA15587	4	Mid Wheel Assembly (Items 1-9 and 11) (1721)

(IP1328)



ITEM	PART NO.	QTY.	DESCRIPTION
1	GA11509	1	Hub W/Cups, Grease Fitting And Stud Bolts (20 Bolt High Strength) (Includes Items 2 and 3)
2	GR0191	2	Inner Cup
3	GR1681	10	Stud Bolt, 3/4"-16 x 3 7/8"
4	GA0531	2	Inner Bearing
5	GD22536	1	Spindle
6	GA0532	1	Seal
7	GD16710	1	Washer, 2 1/2"
8	GD16709	1	Slotted Hex Nut, 2 1/2"-20
9	G11196	1	Spring Pin, 1/2" x 4
10	GD16565	1	Seal
11	GB0382	1	Dust Cap
12	G10043	6	Hex Head Cap Screw, 5/16"-18 x 3/4"
13	G10625	10	Flange Nut, 3/4"-16

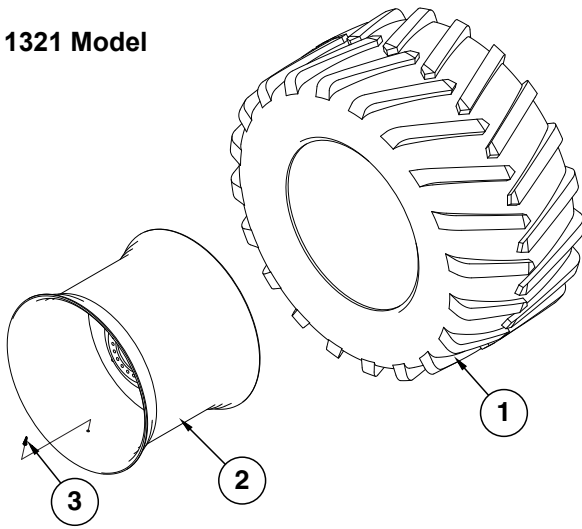
(IP1329)



ITEM	PART NO.	QTY.	DESCRIPTION
1	GR2031	1	Inner Bearing
2	GR2033	1	Grease Seal
3	GR2037	1	Seal
4	GR2032	1	Outer Bearing
5	GR2034	1	Spindle Nut
6	GR2035	1	Washer, 4½" x 2⅝" x ¼"
7	GD22758	1	Spindle
8	GR2036	1	Cotter Pin, ⅜" x 4"
9	GR2027	1	Hub W/Cups (Items 1, 4, and 12)
	GR2039	1	Grease Fitting
10	GR2030	1	Outer Cup
11	GR2029	1	Inner Cup
12	GR1681	20	Stud Bolt, ¾"-16 x 3⅞"
13	GR2038	1	Dust Cap
14	G10054	8	Hex Head Cap Screw, ⅝"-18 x ½"
15	G10625	20	Flange Nut, ¾"-16

(IP1330)

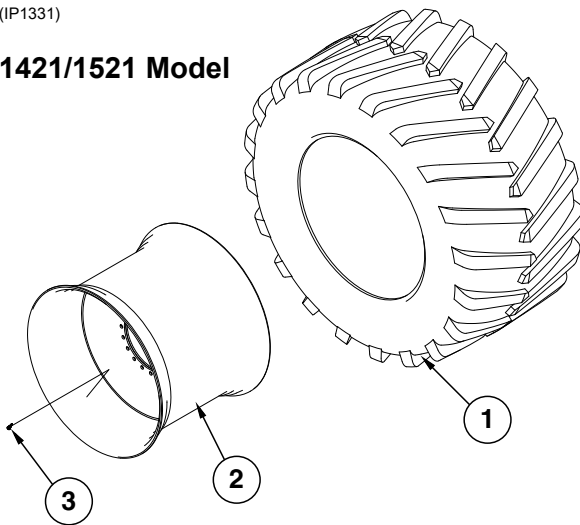
**1321 Model**



ITEM	PART NO.	QTY.	DESCRIPTION
1	GD30616	1	Tire 1250/50R32, CFO
2	GA24128	1	Rim, 32" x 44", 20 Hole, 13.189" B.C.
3	GA9975	1	Valve Stem
A	GA24129	-	Tire/Wheel Assembly, L.H. (Items 1-3)
B	GA24130	-	Tire/Wheel Assembly, R.H. (Items 1-3)

(IP1331)

**1421/1521 Model**

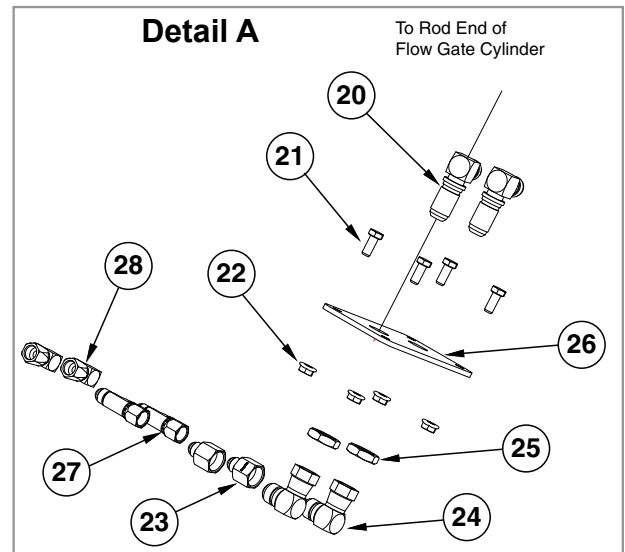
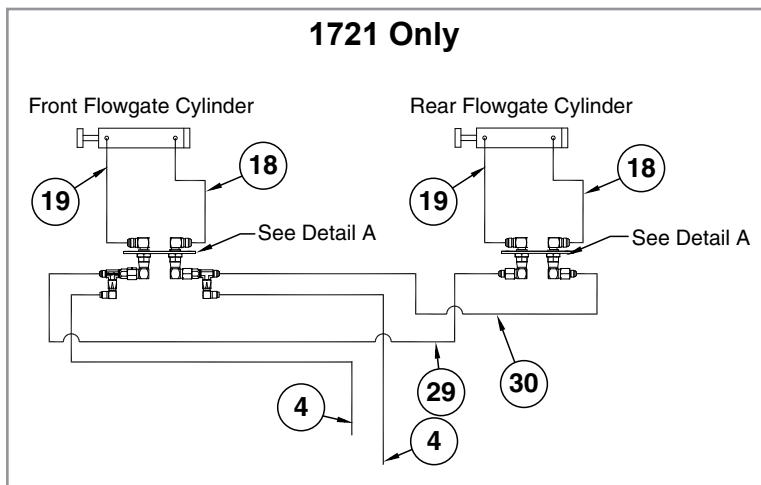
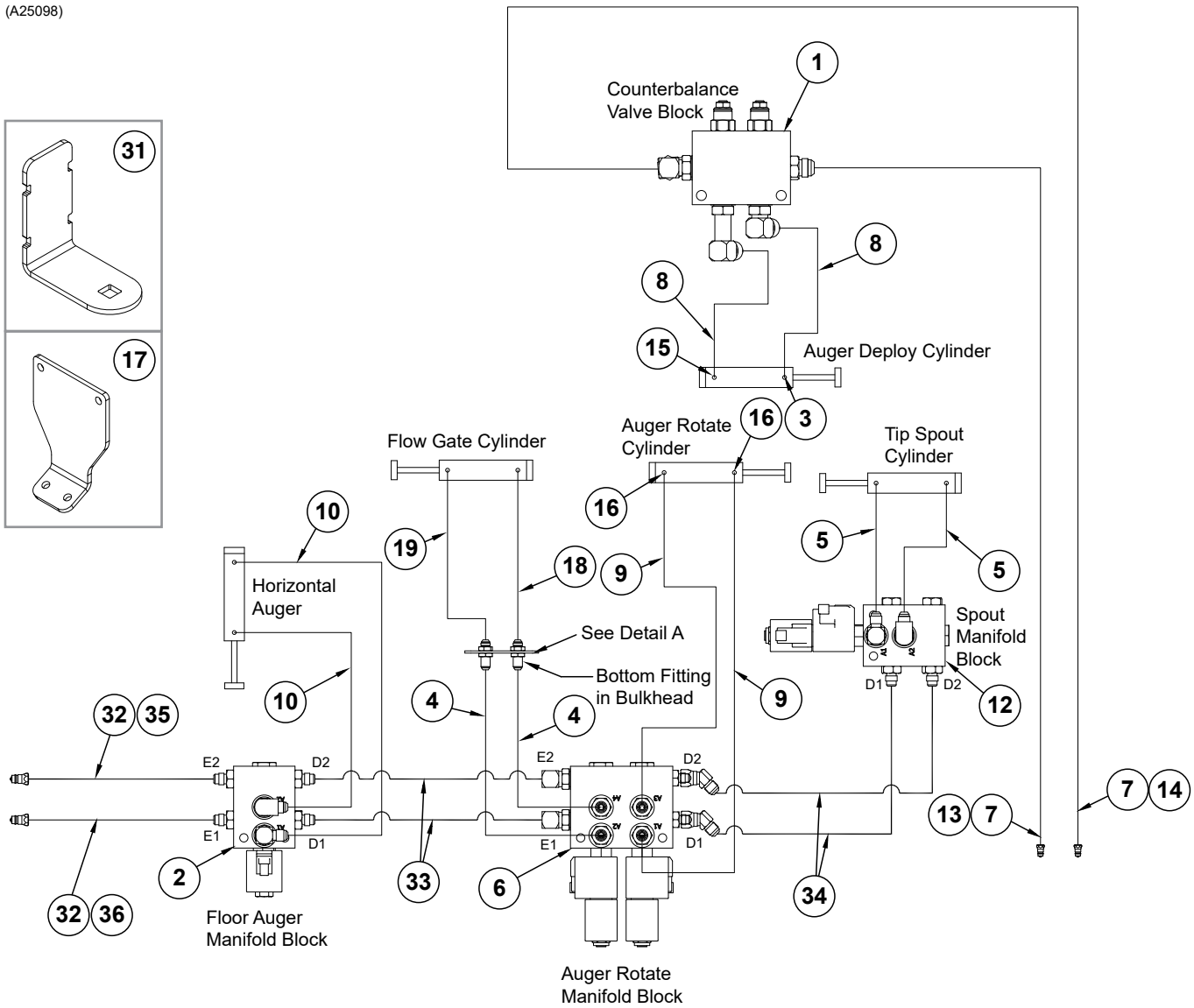


ITEM	PART NO.	QTY.	DESCRIPTION
1	GD30616	1	Tire 1250/50R32, CFO
2	GA21452	1	Rim, 32" x 44", 20 Hole, 20.125" B.C.
3	GA9975	1	Valve Stem
A	GA21453	-	Tire/Wheel Assembly, L.H. (Items 1-3)
B	GA21454	-	Tire/Wheel Assembly, R.H. (Items 1-3)



**This page left blank intentionally.**

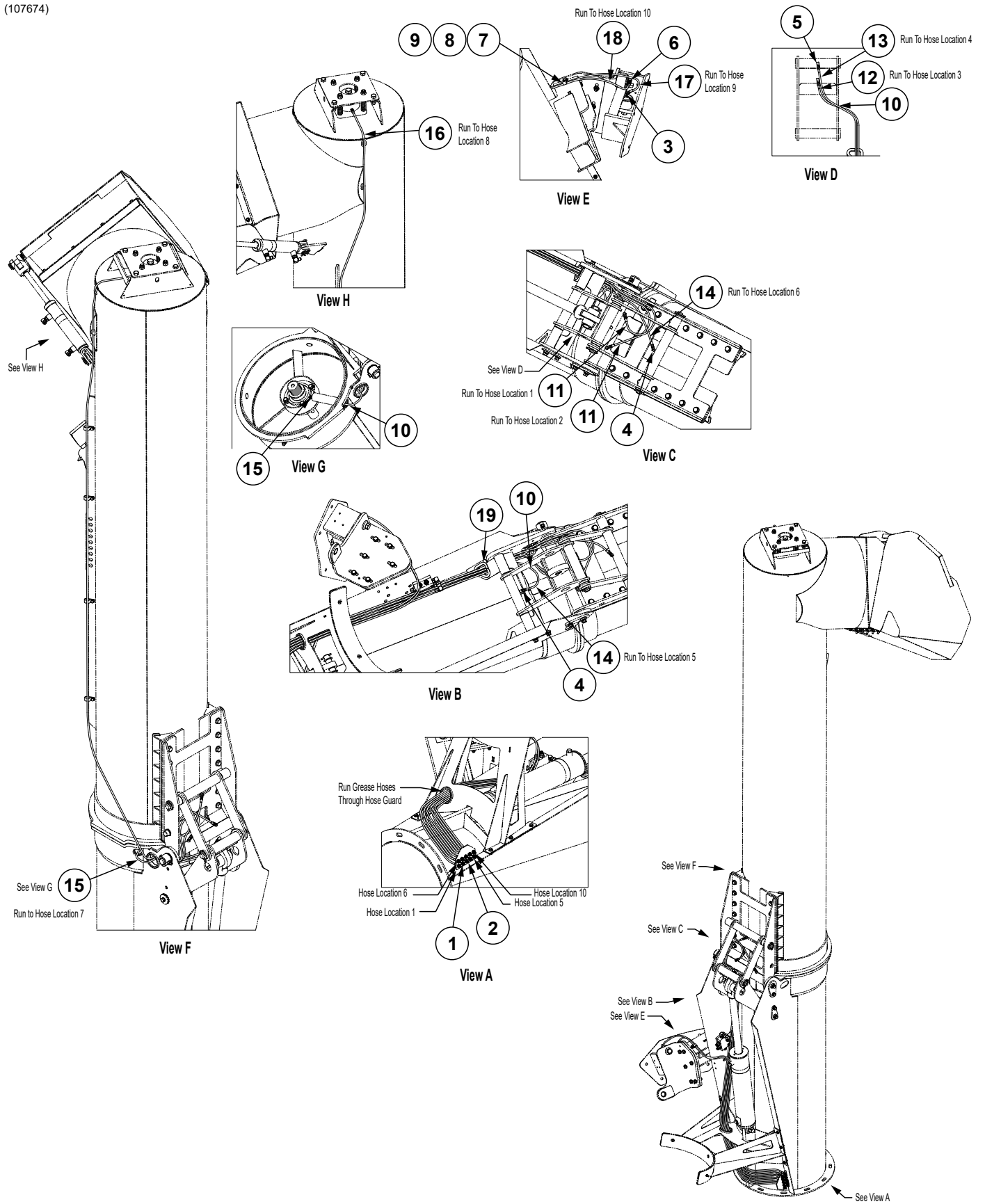
(A25098)



ITEM	PART NO.	QTY.	DESCRIPTION
1	---	-	<a href="#">See "Counterbalance Valve Block" on page P113</a>
2	---	-	<a href="#">See "Floor Auger Manifold Block Assembly" on page P115</a>
3	GA9705	1	Restrictor Elbow
4	*A7665	2	Hose Assembly, 1/4" x 158" (1421/1521)
	*A1116	2	Hose Assembly, 1/4" x 136" (1321)
	*A1121	2	Hose Assembly, 1/4" x 180" (1721)
5	*A7693-185	2	Hose Assembly, 1/4" AR x 185" (06F-06F)
6	---	-	<a href="#">See "Auger Rotate Manifold Block Assembly" on page P116</a>
7	*A26936-290 GD4086	2 -	Hose Assembly W/Tip, 3/8" x 290" ISO Coupler
8	*A15013	2	Hose Assembly, 3/8" x 32"
9	*A1140	2	Hose Assembly, 1/4" x 52"
10	*A1132	2	Hose Assembly, 1/4" x 44"
11	---	---	---
12	---	---	<a href="#">See "Spout Manifold Block Assembly" on page P114</a>
13	GA26924-02	1	Hose Label/Cover, Red (Retract)
14	GA26924-01	1	Hose Label/Cover, Red (Extend)
15	G6801-08 GR1037	1 -	Elbow W/O-Ring, 90°, 3/4"-16 Male JIC To O-Ring O-Ring
16	G6801-06 GR1045	2 -	Elbow W/O-Ring, 90°, 9/16"-18 Male JIC To O-Ring O-Ring
17	GD24296	1	Manifold Bracket
	G10004	2	Hex Head Cap Screw, 3/8"-16 x 1 1/4"
	G11091	2	Serrated Flange Nut, 3/8"-16
18	*A1098	1	Hose Assembly, 3/8" x 26"
19	*A1018	1	Hose Assembly, 3/8" x 40"
20	G2701-08	2	Bulkhead Elbow, 90°, 3/4"-16 Male JIC
21	G10043	4	Hex Head Cap Screw, 5/16"-18 x 3/4"
22	G10620	4	Serrated Flange Nut, 5/16"-18
23	G2406-08-06	2	Reducer, 3/4"-16 Female JIC To 9/16"-18 Male JIC
24	G6500-08	2	Swivel Elbow, 90°, 3/4"-16 Male JIC To Female
25	G306-08	2	Lock Nut, 3/4"-16
26	GD24006	1	Flow Gate Cylinder Bulkhead
27	G6602-06	2	Swivel Tee, 9/16"-18 JIC (1721 only) (Front Only)
28	G6500-06	2	Swivel Elbow, 90°, 9/16"-18 Male JIC To Female (1721 only) (Front Only)
29	*A7666	1	Hose Assembly, 1/4" x 154"
30	*A1110	1	Hose Assembly, 1/4" x 150"
31	GD24294	-	Anchor Bracket
32	*A7691-187	2	Hose Assembly, 1/4" x 187" (06F-1/2M NPTF W/Ext., W/Tip)
33	*A1194	2	Hose Assembly, 1/4" x 30" (06F-06F)
34	*A1132	2	Hose Assembly, 1/4" x 44"
35	GA26924-03	1	Hose Label/Cover, Blue (Extend)
36	GA26924-04		Hose Label/Cover, Blue (Retract)

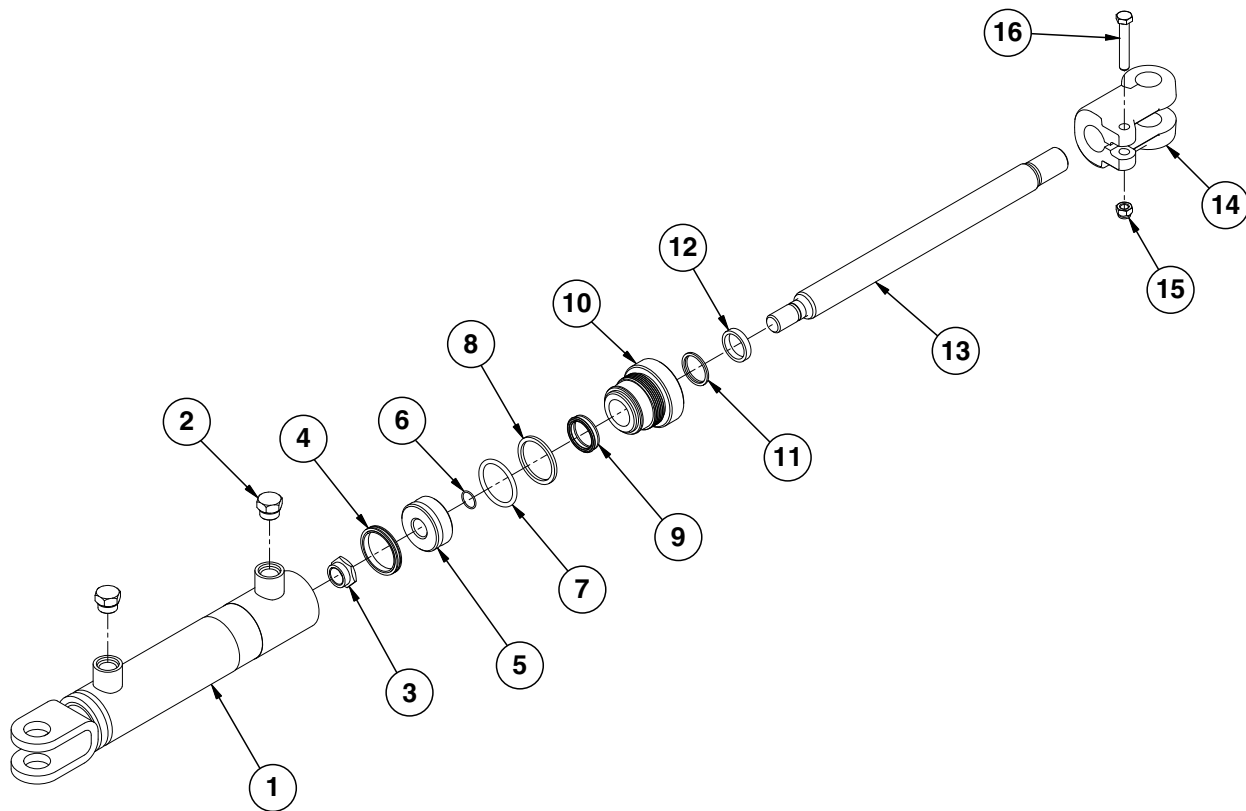
\*Hydraulic hose is not stocked by Kinze Repair Parts.

(107674)



ITEM	PART NO.	QTY.	DESCRIPTION
1	G11094	10	Hex Nut, 1/8"-27 NPSM Bulkhead
2	G10640	10	Grease Fitting, 1/4"-28
3	G5503-02-02	1	Elbow, 45°, 1/8" NPT
4	G11725	4	Grease Fitting, 45°, 1/4"-28
5	G11558	2	Adapter, 1/4"-28 x 1/8" NPTF
6	G1501-02-02	1	Swivel Elbow, 1/8" NPTM x 1/8" NPTF
7	GD13348	1	Insulated Clamp, 1 1/8"
8	G10001	1	Hex Head Cap Screw, 3/8"-16 x 1"
9	G11091	1	Serrated Flange Nut, 3/8"-16
10	G10615001	3	Hose Wrap, 0.67" I.D. x 6"
11	GA27240-106	2	Grease Hose, 1/8" x 106" (02M NPT - 02M NPSM BH/04-28 UNF)
12	GA27240-114	1	Grease Hose, 1/8" x 114" (02M NPT - 02M NPSM BH/04-28 UNF)
13	GA27240-117	1	Grease Hose, 1/8" x 117" (02M NPT - 02M NPSM BH/04-28 UNF)
14	GA27240-100	2	Grease Hose, 1/8" x 100" (02M NPT - 02M NPSM BH/04-28 UNF)
15	GA27240-102	1	Grease Hose, 1/8" x 102" (02M NPT - 02M NPSM BH/04-28 UNF)
16	GA27240-265	1	Grease Hose, 1/8" x 265" (02M NPT - 02M NPSM BH/04-28 UNF)
17	GA27240-87	1	Grease Hose, 1/8" x 87" (02M NPT - 02M NPSM BH/04-28 UNF)
18	GA27240-85	1	Grease Hose, 1/8" x 85" (02M NPT - 02M NPSM BH/04-28 UNF)
19	GD35413-8.25	1	Edge Trim Protection, 1/4" x 1/2" x 8 1/4"

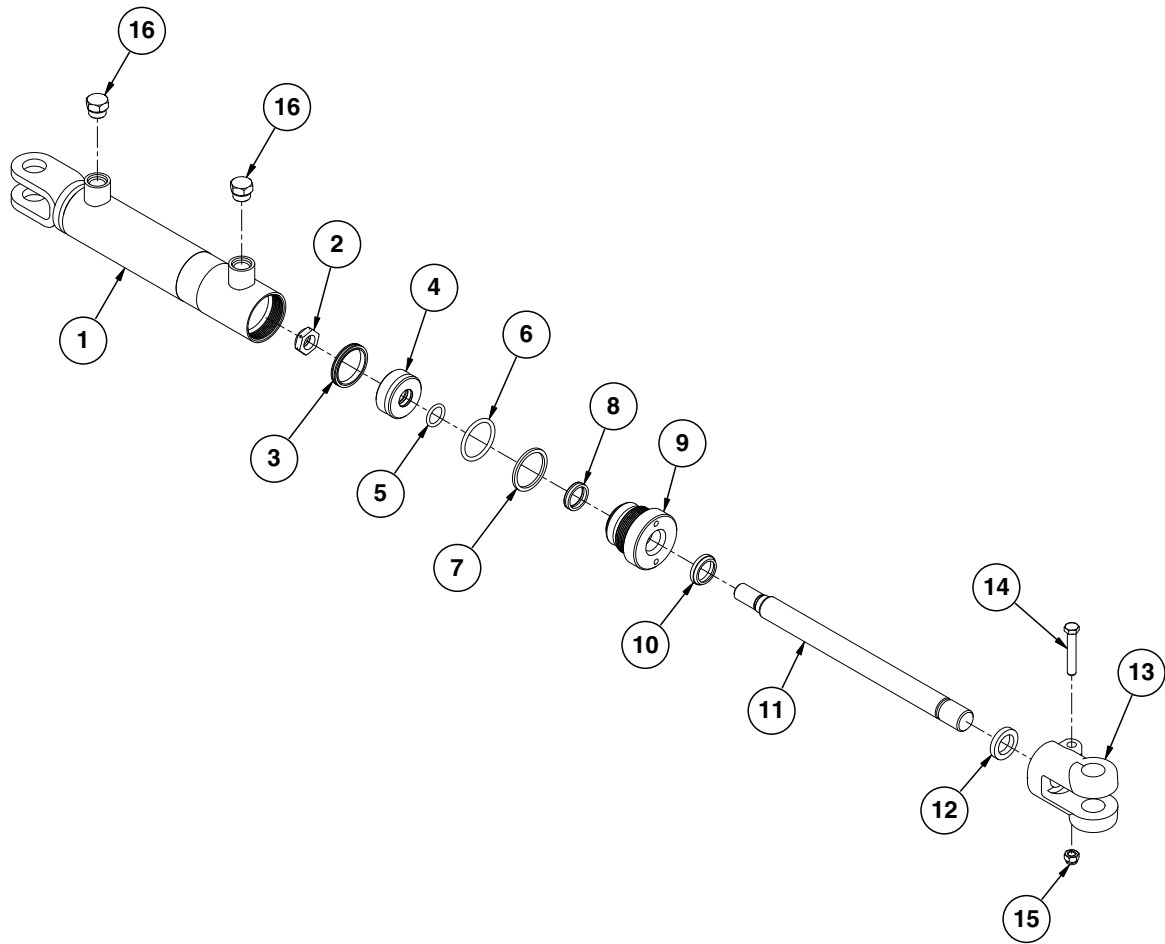
(IP1332)



ITEM	PART NO.	QTY.	DESCRIPTION
1	A17219 A8775	1 -	Barrel (1321) Barrel (1421/1521/1721)
2	G6408-08 GR1037	2 -	Plug W/O-Ring, 3/4"-16 O-Ring O-Ring
3	G10967	1	Lock Nut, 3/4"-16
4	*D12277	1	T-Seal
5	GD4632	1	Piston
6	*D12239	1	O-Ring, No. 016
7	*D12235	1	O-Ring, No. 326
8	*D12236	1	Back-Up Ring
9	*D19250	1	U-Cup
10	GD5949	1	Gland
11	*D19251	1	Wiper
12	GD19662	1	Ring
13	GD25065	1	Rod
14	GD25138	1	Clevis
15	G10108	1	Lock Nut, 3/8"-16
16	G10939	1	Hex Head Cap Screw, 3/8"-16 x 2 1/4"
A	GA17237	-	Cylinder Complete, 2" x 8" (Part Number Stamped On Barrel) (1421/1521/1721)
B	GA17220	-	Cylinder Complete, 2" x 9 1/2" (Part Number Stamped On Barrel) (1321)
C	GR1930	-	Seal Kit

\*Part of seal kit, item can not be purchased individually.

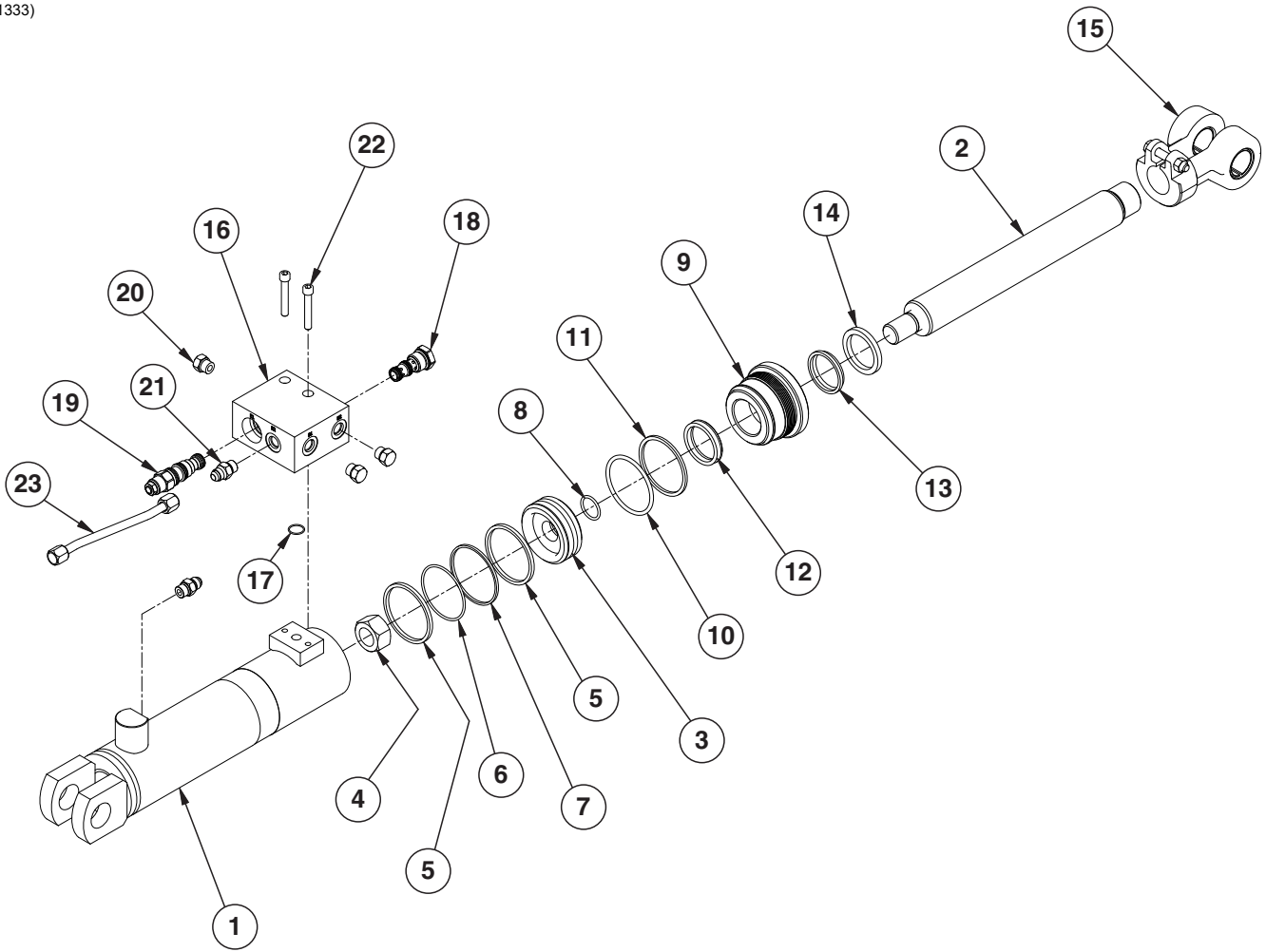
(IP1522)



ITEM	PART NO.	QTY.	DESCRIPTION
1	A8775	1	Barrel
2	GD27233	1	Nylon Lock Nut, 3/4"-16, Grade 8
3	GA26166	1	Piston Seal
4	GD29689	1	Piston
5	*D29692	1	O-Ring, No. 326
6	*D12235	1	O-Ring, No. 326
7	*D12236	1	Back-Up Ring
8	*D12256	1	U-Cup
9	GD12510	1	Gland
10	*D12233	1	Wiper Rod
11	GD30439	1	Rod
12	GD12101	1	Ring
13	GD11950	1	Clevis
14	G10939	1	Hex Head Cap Screw, 3/8"-16 x 2 1/4"
15	G10108	1	Lock Nut, 3/8"-16
16	G6408-08	2	Plug W/O-Ring, 3/4"-16 O-Ring
	GR1037	-	O-Ring
A	GA21166	-	Cylinder Complete, 2" x 8" (Part Number Stamped On Barrel)
B	GR2229	-	Seal Kit, Includes: (1) Wiper Rod, (2) U-Cup, (3) O-Rings, (1) Back-Up Ring, (1) T-Seal

\*Part of seal kit, item can not be purchased individually.

(IP1333)

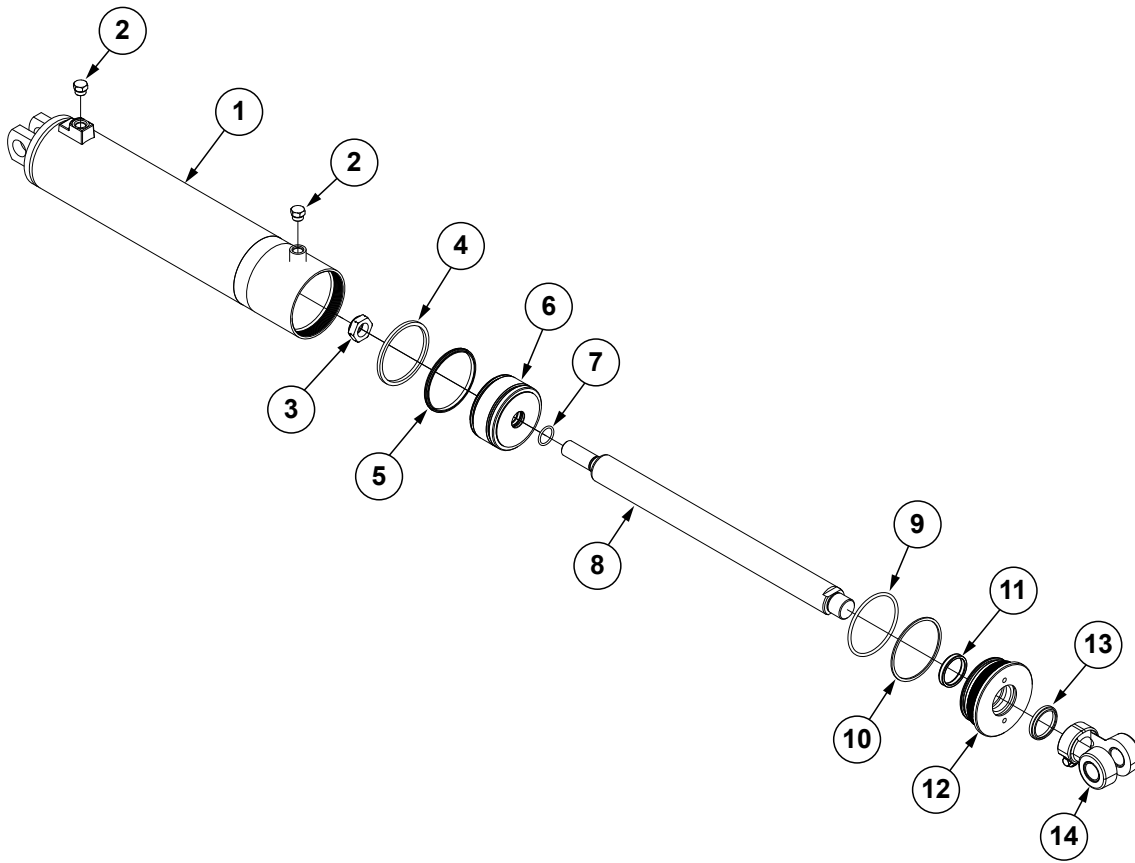




ITEM	PART NO.	QTY.	DESCRIPTION
1	A16132	1	Barrell
2	GD16202	1	Rod
3	GD16200	1	Piston
4	G10958	1	Lock Nut, 1"-14
5	*D12050	2	Piston Ring, 3"
6	*D12051	1	Piston Seal, 3"
7	*D12209	1	Energizer Seal, 3"
8	*D12208	1	O-Ring, No. 214
9	GD11984	1	Gland
10	*D12202	1	O-Ring, No. 334
11	*D12203	1	Back-Up Ring
12	*D12253	1	U-Cup
13	*D12200	1	Wiper, 1¾"
14	*D12104	1	Ring
15	GA8130	1	Clevis W/Bushings, Hex Head Cap Screw And Hex Nut
	GD11751	-	Steel Bushing, 1" Wide
	G10939	-	Hex Head Cap Screw, ¾"-16 x 2¼"
	G10101	-	Hex Nut, ¾"-16
16	GD23404	1	Block
17	GD12239	1	O-Ring, No. 016
18	GA13965	1	Bi-Directional Flow Control
19	GA8882	1	Counter Balance Valve
	GR1517	-	Seal Kit For Counter Balance Valve, Includes: (3) O-Rings, (3) BU Rings
20	G6408-06	3	Plug W/O-Ring, ¼"-18 O-Ring
	GR1045	-	O-Ring
21	G6400-06	2	Connector W/O-Ring, ¼"-18 Male JIC To O-Ring
	GR1045	-	O-Ring
22	G10932	2	Hex Socket Head Cap Screw, 5/16"-18 x 2", Grade 8
23	GA16133	1	Hydraulic Steel Tube, ¾"
A	GA16134	-	Cylinder Complete, 3" x 10" ( <i>Part Number Stamped On Barrel</i> ) W/Block
B	GR1740	1	Seal Kit, Includes: (1) Wiper, (1) U-Cup, (2) O-Rings, (1) BU Ring, (2) Cast Iron Rings, (1) Seal, (1) Energizer

\*Item is part of seal kit, item can not be purchased individually.

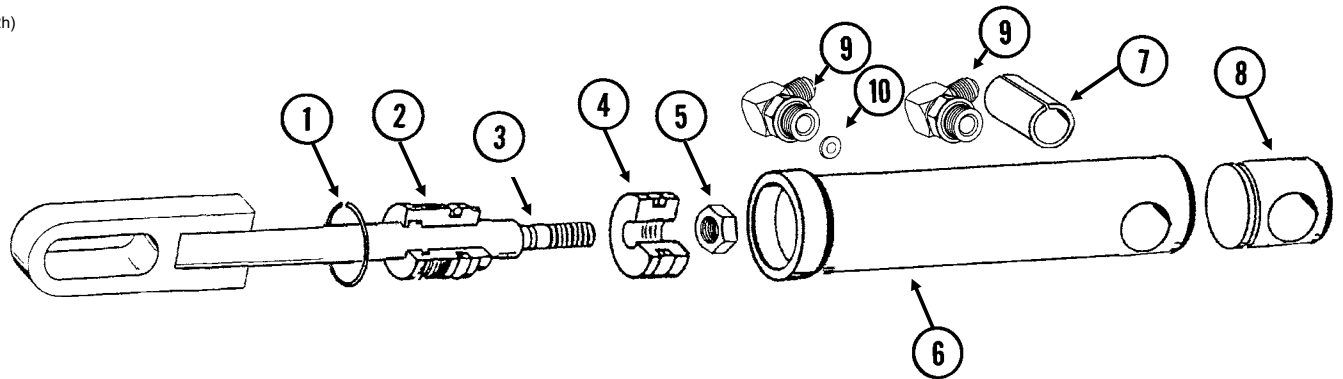
(IP1568)



ITEM	PART NO.	QTY.	DESCRIPTION
1	A9610	1	Barrel
2	G6408-08 GR1037	2 -	Plug W/O-Ring, 3/4"-16 O-Ring O-Ring
3	GD27236	1	Nylon Lock Nut, 1 1/8"-12, Grade 8
4	*D12092	1	Piston Ring
5	*A24474	1	Piston Seal
6	GD29667	1	Piston
7	*D29666	1	O-Ring, No. 217
8	GD29668	1	Rod
9	*D12246	1	O-Ring, No. 348
10	*D12247	1	Back-Up Ring
11	*D12255	1	U-Cup
12	GD12572	1	Gland
13	*D12240	1	Wiper, 2"
14	GA8130 GD11751 G10939 G10101	1 - - -	Clevis W/Bushings, Hex Head Cap Screw, And Hex Nut Steel Bushing, 1" Wide Hex Head Cap Screw, 3/8"-16 x 2 1/4" Hex Nut, 3/8"-16
---	GA20808	---	Cylinder Complete, 4 3/4" x 20" (Part Number Stamped On Barrel)
---	GR1600	1	Seal Kit, Includes: (1) Wiper, (1) U-Cup, (2) O-Rings, (1) BU Ring, (1) BP Piston Seal, (1) Piston Ring, (1) Piston Seal

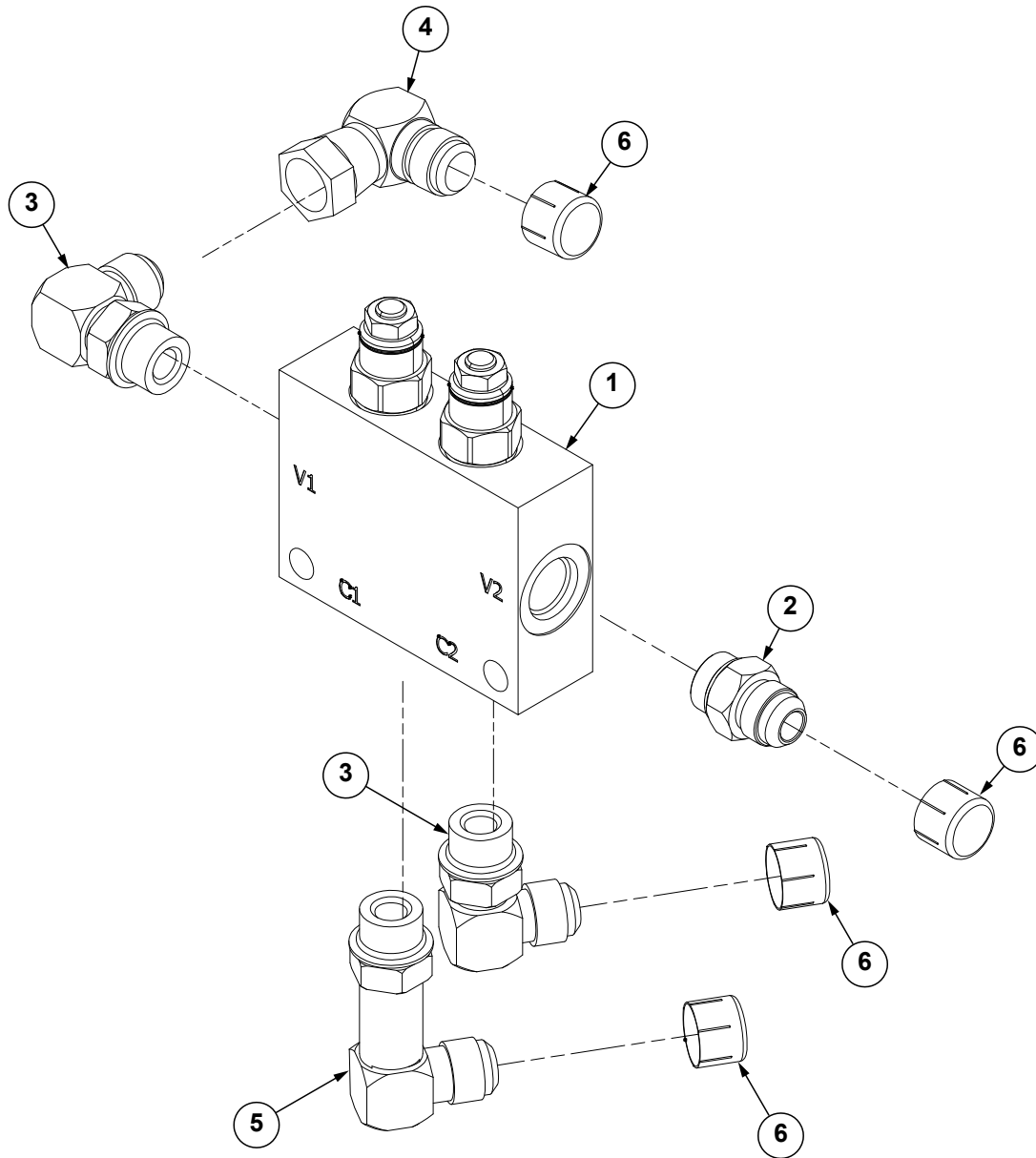
\*Item is part of seal kit, item can not be purchased individually.

(CYL2h)



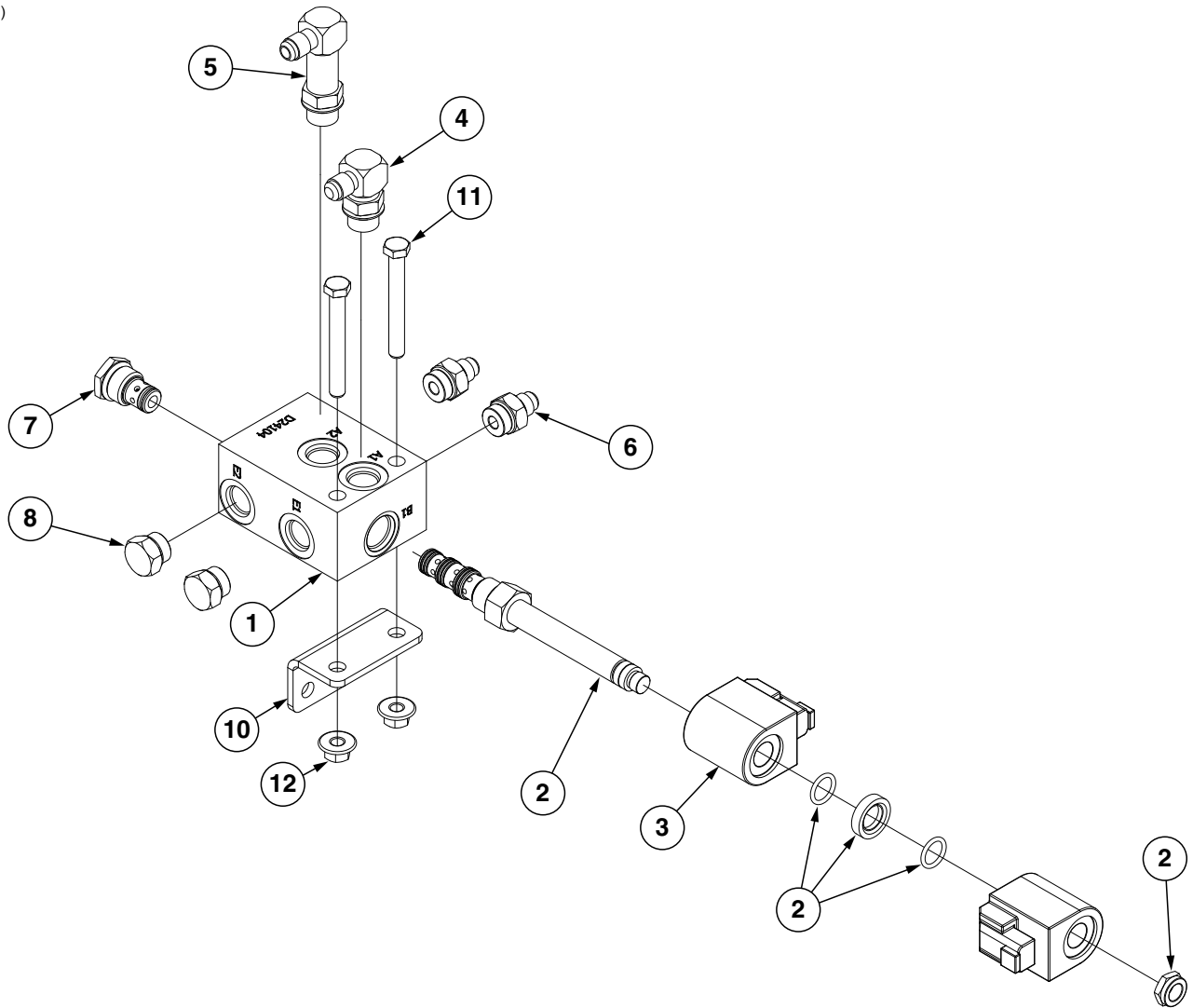
ITEM	PART NO.	QTY.	DESCRIPTION
1	G10770	1	Internal Retaining Ring, 1 <sup>11</sup> / <sub>16</sub> "
2	GA13651	1	Head Gland Assembly (Includes Back-Up Ring, O-Ring, U-Cup, Wiper, Bushing, and Head Gland)
3	GA9561	1	Rod Assembly
4	GD13172	1	Piston
5	GD27232	1	Nylon Lock Nut, 1/2"-20, Grade 8
6	D13169	1	Barrel
7	GD13400	1	Tension Bushing, 1" x 2" Long
8	GD13173	1	End Cap
9	G6801-06-08 GR1037	2 -	Elbow W/O-Ring, 90°, 9/16"-18 Male JIC To 3/4"-16 O-Ring O-Ring
10	GD13541	1	Orifice Plate, One-Way Restriction
A	GA9616	-	Cylinder Complete, 1 1/2" x 2 1/2" (Part Number Stamped On Barrel)
B	GR1598	-	Seal Kit, Includes: (3) O-Rings, (2) BU Rings, (1) Wiper, (1) T-Seal, (1) Bronze Bushing, (1) Seal, (1) U-Cup

(A16825)



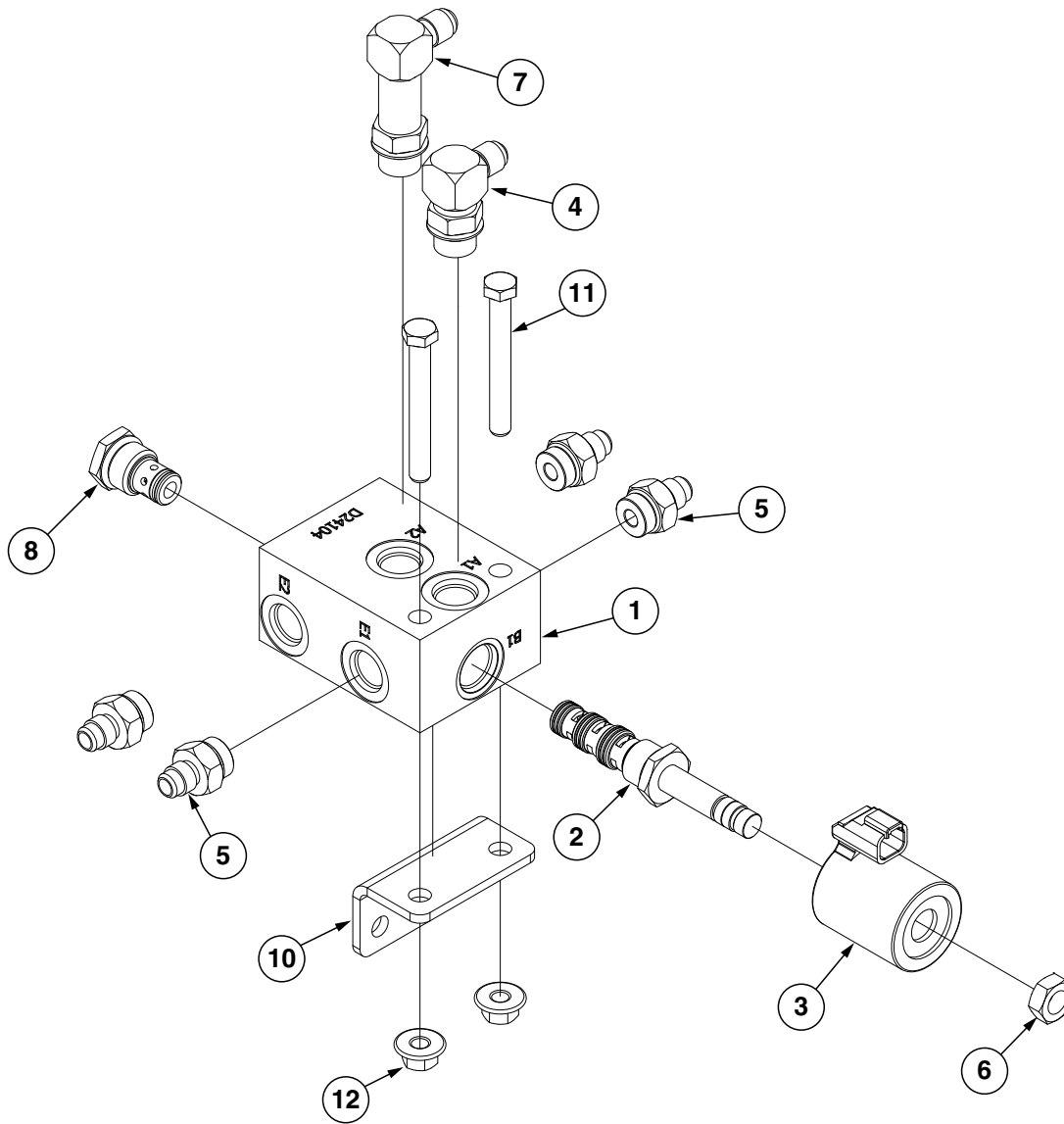
ITEM	PART NO.	QTY.	DESCRIPTION
1	GD13499 GA19431 GR1517	1 - -	Valve Block Counter Balance Valve Seal Kit For Counter Balance Valve, Includes: (3) O-Rings, (3) BU Rings
2	G6400-08 GR1037	1 -	Connector W/O-Ring, 3/4"-16 Male JIC To O-Ring O-Ring
3	G6801-08-08	2	Elbow W/O-Ring, 90°, 3/4"-16 x 3/4"-16
4	G6500-08	1	Swivel Elbow, 90°, 3/4"-16 Male JIC To Female
5	G6801-LL-08	1	X-Long Elbow W/O-Ring, 90°, 3/4"-16 Male JIC To O-Ring
6	G10492	4	Thread Protector, 3/4"-16

(A16822)



ITEM	PART NO.	QTY.	DESCRIPTION
1	GD24104	1	Block
2	GA11365	1	Spool Valve Assembly
	GR1750	-	Hex Nut
	GR1756	-	Seal Kit
3	GA16676	2	Coil
4	G6801-06-08	1	Connector W/O-Ring, 1/8"-18 Male JIC To 3/4"-16 O-Ring
	GR1037	-	O-Ring
5	G6801-LL-06-08	1	X-Long Elbow W/O-Ring, 90°, 1/8"-18 Male JIC To 3/4"-16 O-Ring
6	G6400-06-08	2	Connector W/O-Ring, 1/8"-18 Male JIC To 3/4"-16 O-Ring
	GR1037	-	O-Ring
7	GA4293	1	Check Valve
8	G6408-08	2	Plug W/O-Ring, 3/4"-16 O-Ring
	GR1037	-	O-Ring
9	---	-	---
10	GD24295	1	Manifold Bracket
11	G10062	2	Hex Head Cap Screw, 3/8"-16 x 3"
12	G11091	2	Serrated Flange Nut, 3/8"-16

(A16823)



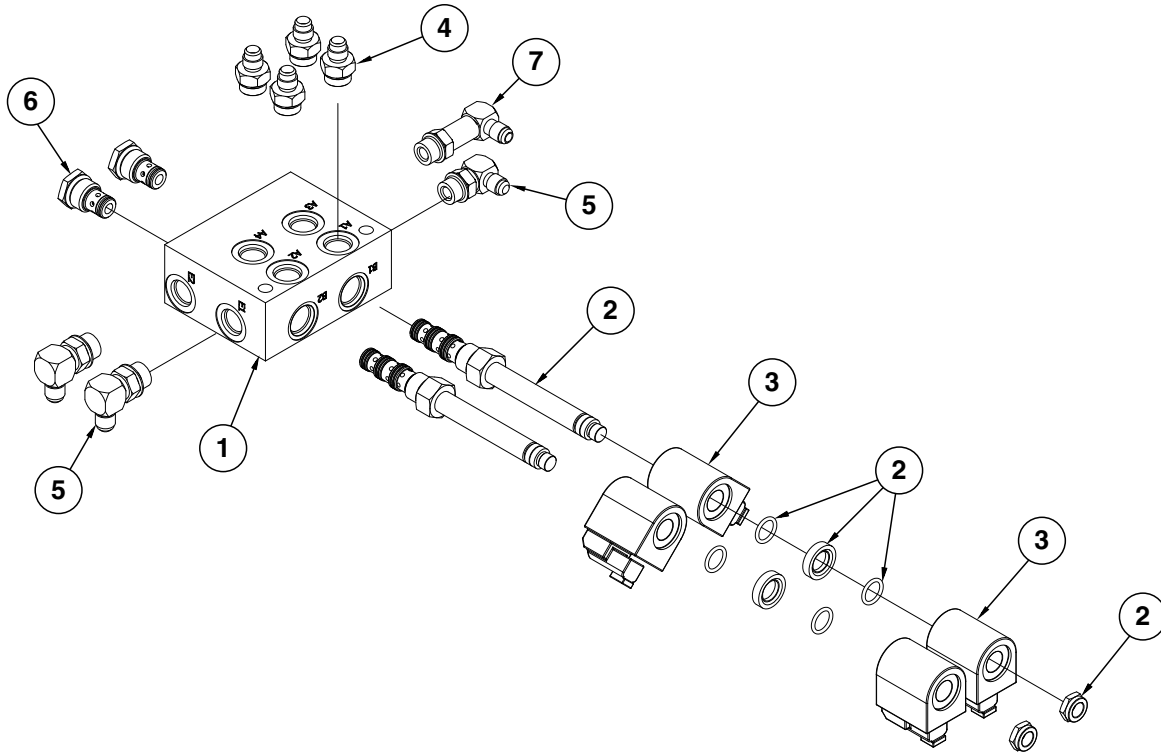
ITEM	PART NO.	QTY.	DESCRIPTION
1	GD24104	1	Block
2	GA16675	1	Spool Valve
3	GA14799	1	Coil
4	G6801-06-08 GR1037	1 -	Elbow W/O-Ring, 90°, 1/16"-18 Male JIC To 3/4"-16 O-Ring O-Ring
5	G6400-06-08 GR1037	4 -	Connector W/O-Ring, 1/16"-18 Male JIC To 3/4"-16 O-Ring O-Ring
6	GR0761	1	Special Hex Nut, 1/2"-20
7	G6801-LL-06-08	1	X-Long Elbow W/O-Ring, 90°, 1/16"-18 Male JIC To 3/4"-16 O-Ring
8	GA4293	1	Check Valve
9	---	-	---
10	GD24295	1	Manifold Bracket
11	G10062	2	Hex Head Cap Screw, 3/8"-16 x 3"
12	G11091	2	Serrated Flange Nut, 3/8"-16

# Auger Rotate Manifold Block Assembly

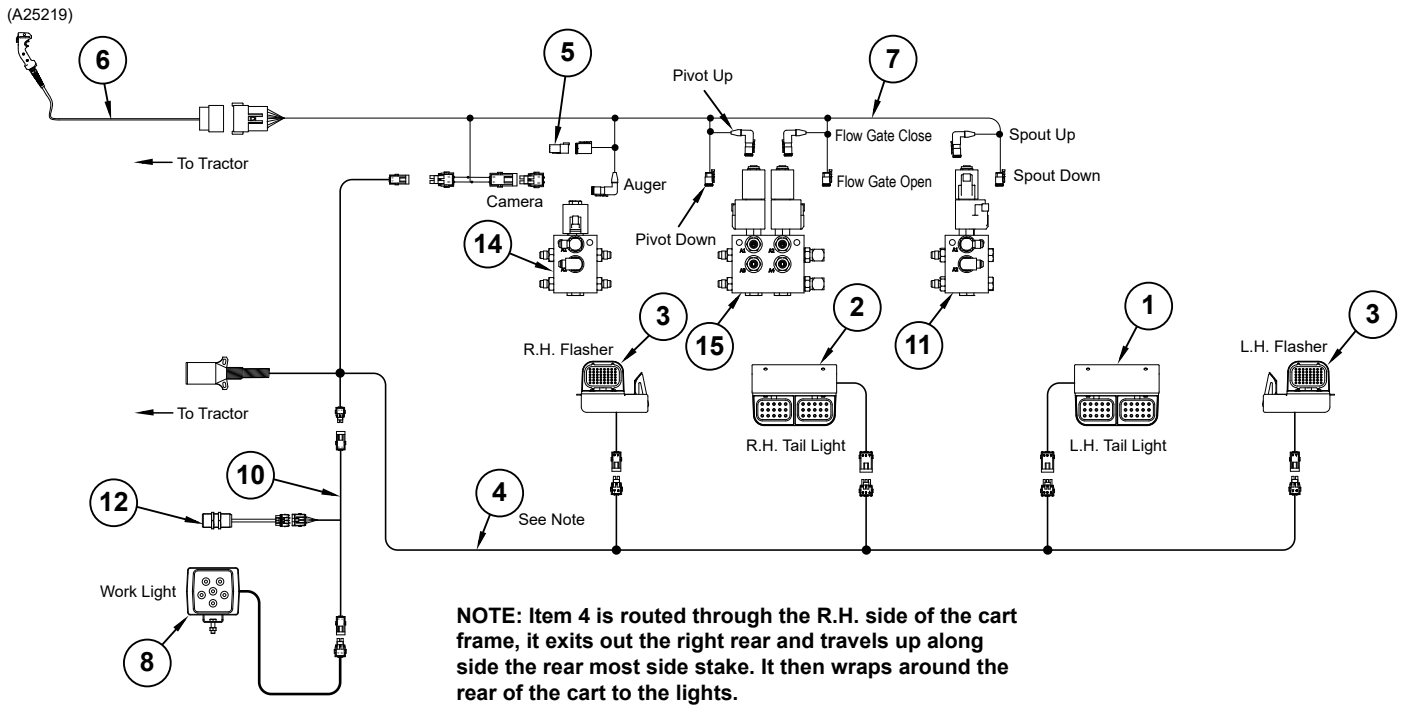
M0316-02

Grain Cart

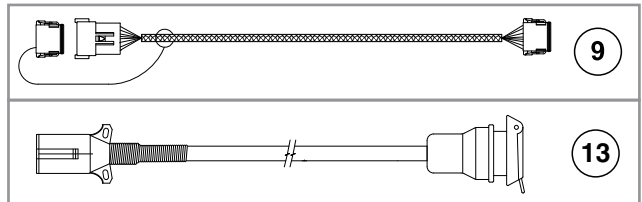
(A16824)



ITEM	PART NO.	QTY.	DESCRIPTION
1	GD24105	1	Block
2	GA11365	2	Spool Valve Assembly
	GR1750	-	Hex Nut
	GR1756	-	Seal Kit
	GR2080	-	Valve Installation Kit
3	GA16676	4	Coil
4	G6400-06-08	4	Connector W/O-Ring, 1/16"-18 Male JIC To 3/4"-16 O-Ring
	GR1037	-	O-Ring
5	G6801-06-08	3	Elbow W/O-Ring, 90°, 1/16"-18 Male JIC To 3/4"-16 O-Ring
	GR1037	-	O-Ring
6	GA4293	2	Check Valve
7	G6801-LL-06-08	1	X-Long Elbow W/O-Ring, 90°, 1/16"-18 Male JIC To 3/4"-16 O-Ring



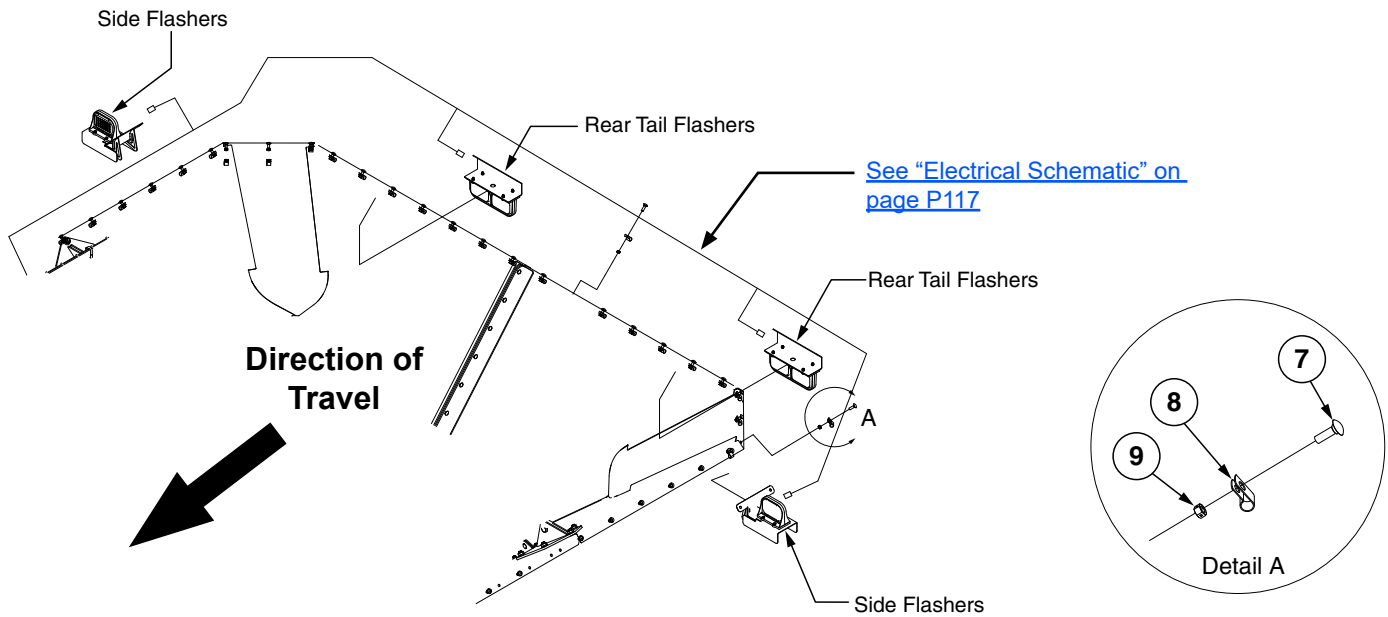
**NOTE:** Item 4 is routed through the R.H. side of the cart frame, it exits out the right rear and travels up along side the rear most side stake. It then wraps around the rear of the cart to the lights.



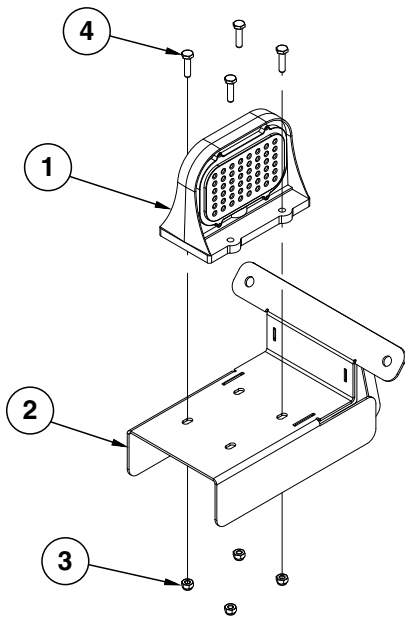


---

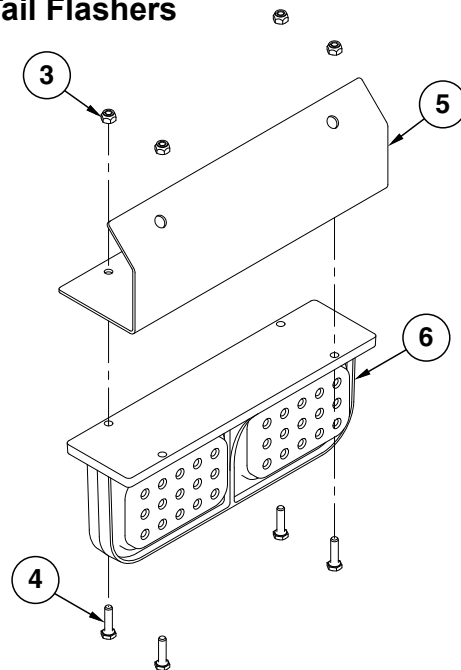
ITEM	PART NO.	QTY.	DESCRIPTION
1	---	1	<a href="#">See "Safety/Warning Lights" on page P119</a>
2	---	1	<a href="#">See "Safety/Warning Lights" on page P119</a>
3	---	2	<a href="#">See "Safety/Warning Lights" on page P119</a>
4	G10536501	1	Cart Lighting Cable
5	GA20462	1	Configuration Plug
6	G10113301	1	Handheld Control
7	GA16353	1	Cart Control Cable
8	GA15472	1	Work Light
9	GA16354	-	Control Cable Extension, 15'
10	GA20045	1	Work Light Cable
11	---	1	<a href="#">See "Spout Manifold Block Assembly" on page P114</a>
12	GD29033	-	Worklight Relay, 6 Amp
13	GA18949	-	Extension Harness
14	---	1	<a href="#">See "Floor Auger Manifold Block Assembly" on page P115</a>
15	---	1	<a href="#">See "Auger Rotate Manifold Block Assembly" on page P116</a>



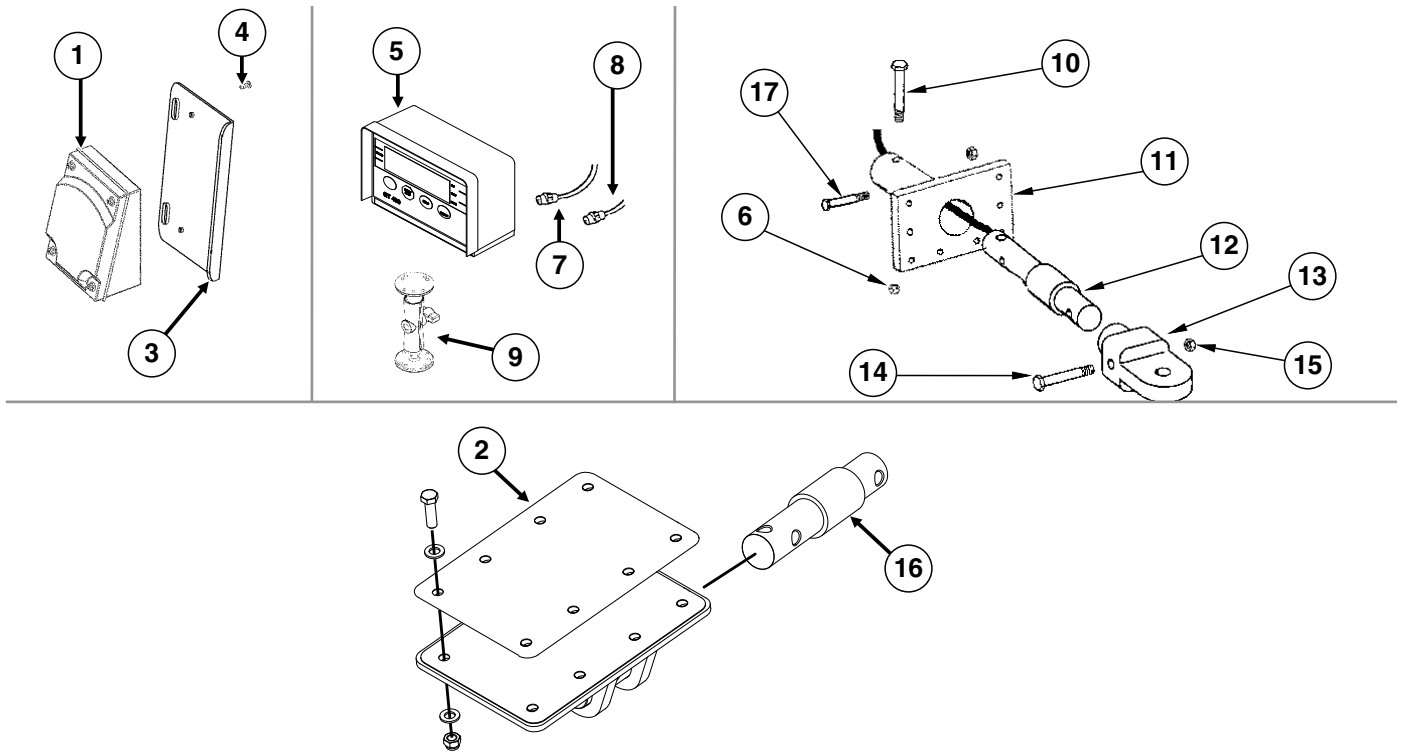
**Side Flashers**



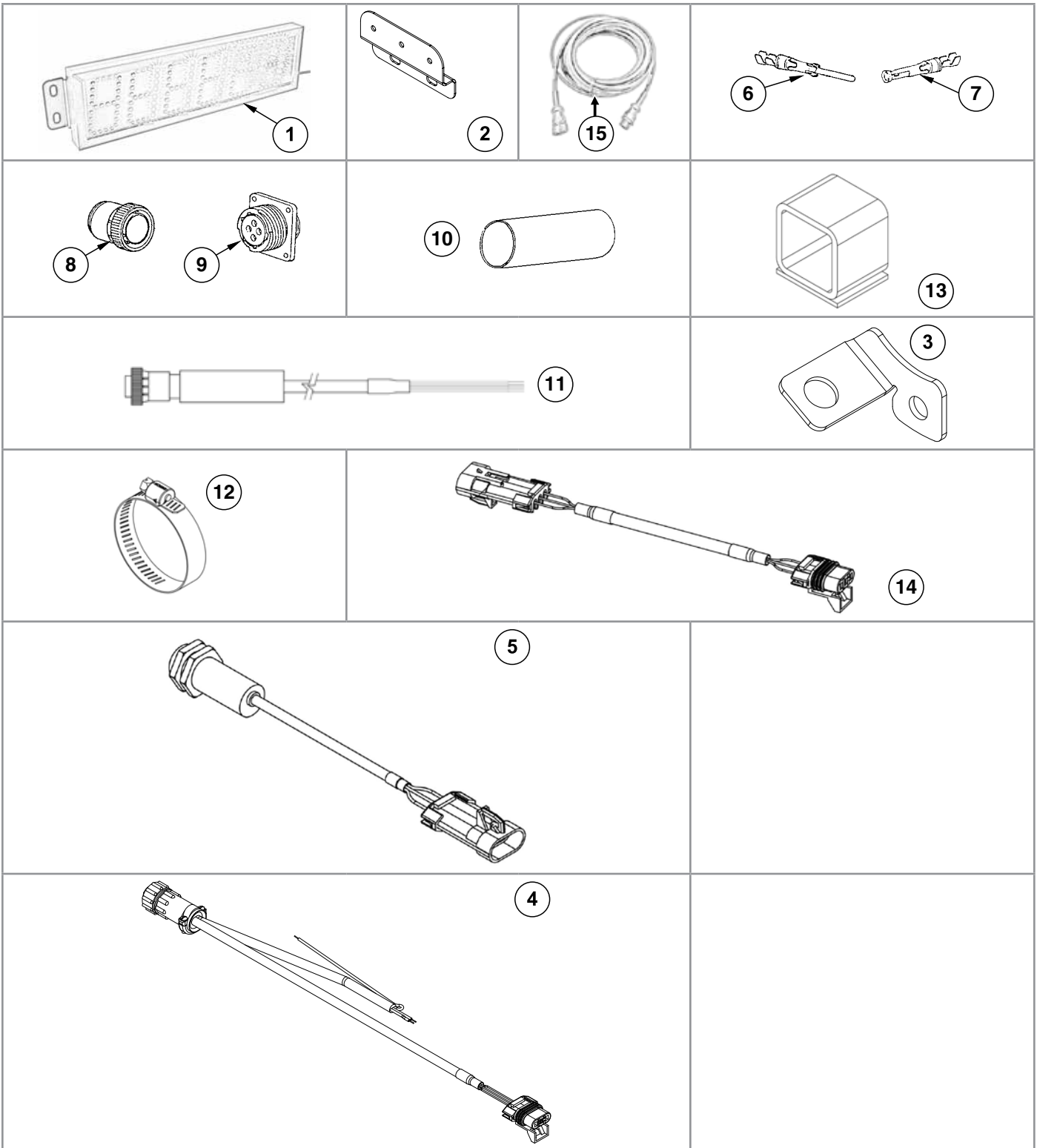
**Rear Tail Flashers**



ITEM	PART NO.	QTY.	DESCRIPTION
1	GA15471	1	Flasher
2	GA22330	1	Light Bracket
3	G10110	4	Lock Nut, 1/4"-20, Grade B
4	G10064	4	Hex Head Cap Screw, 1/4"-20 x 1"
5	GD23982	1	Tail Light Bracket
6	GA15470	1	Tail Flasher, L.H.
	GA15469	-	Tail Flasher, R.H.
7	G10599	-	Carriage Bolt, 3/8"-16 x 1 1/4"
8	GD13348	-	Insulated Clamp, 1 1/16"
9	G10108	-	Lock Nut, 3/8"-16

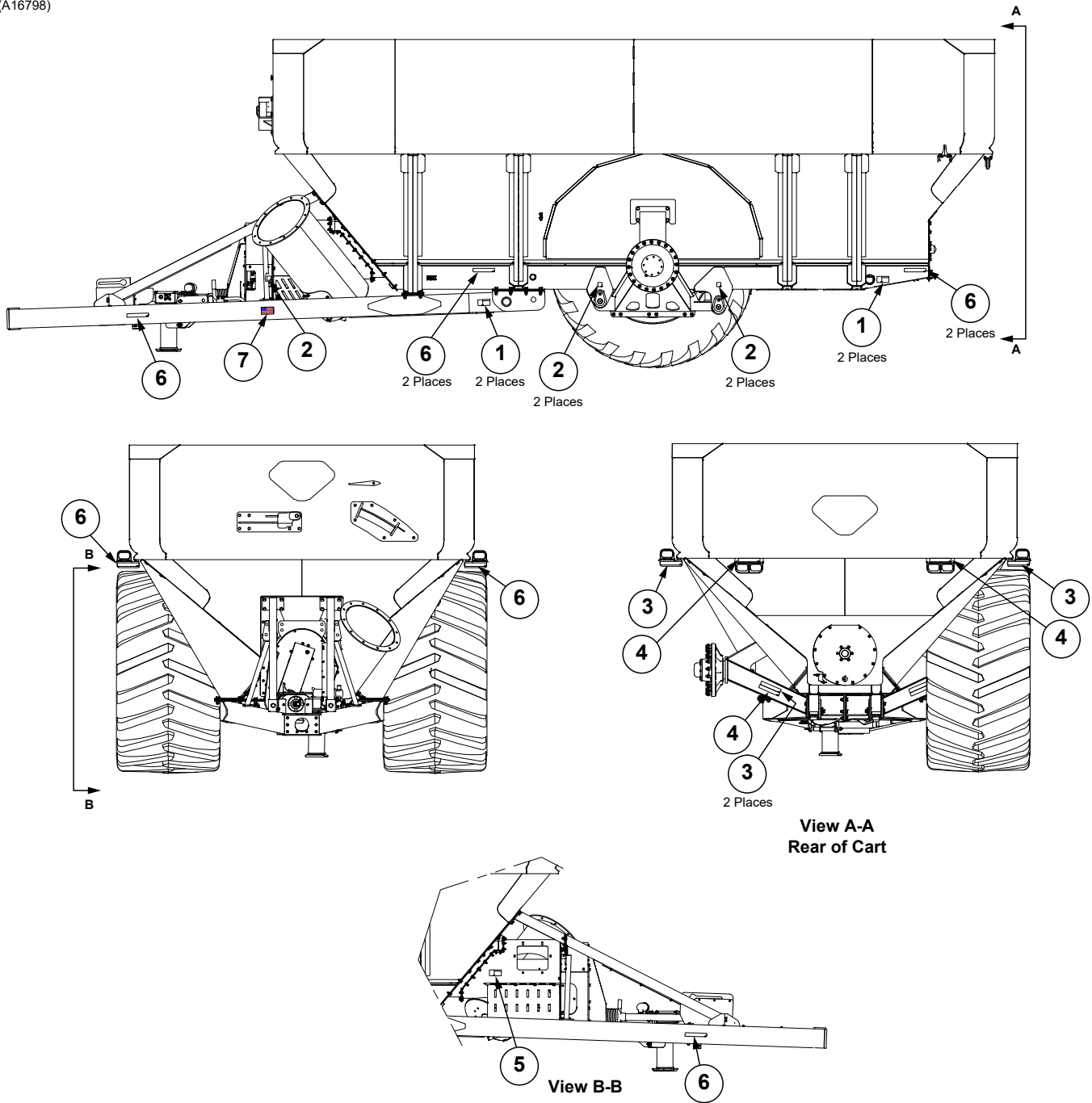


ITEM	PART NO.	QTY.	DESCRIPTION
1	GA18777	1	Junction Box W/30' Cable
	GR1431	1	Cable, 30'
2	GD29309	-	Shim, .06" (As Required)
	GD29310	-	Shim, .06" (As Required)
3	GD24972	1	Junction Box Mounting Bracket
4	G11229	4	Slotted Pan Head Self-Tapping Screw, 10-16 x 1/2"
5	G8367X	1	GT 400 Indicator W/Serial Port For Printer (Factory Calibration Required - Specify Wagon Type)
	G9770X	1	GT 560 Indicator W/Serial Port For Printer ( <a href="#">See "Miscellaneous Electronic Scale Components" on page P121</a> )
6	G10111	1	Lock Nut, 1/2"-13
7	G10565201	1	Cable Extension (To Junction Box Cable)
8	GA6772	1	Battery Power Cable, 10'
9	GA12403	-	Mounting Bracket Assembly, Includes: (2) Mounting Brackets, (2) Connector Halves, (1) Compression Spring (1) Tension Knob, (1) 1/4"-20 x 1 3/4" Hex Head Cap Screw, (1) 1/4" Plastic Washer, (1) 1/4" Steel Washer
	GR1762	-	Console Mounting Bracket Hardware Package, Includes: (2) No. 10-32 x 5-8" Hex Socket Pan Head Screw, (3) 1/4" Lock Washers
10	G11200	1	Hex Head Cap Screw, 1/2"-13 x 8"
11	GA19882	1	Receiver Weigh Bar
12	GA24606	1	Hitch Weigh Beam
13	---	-	<a href="#">See "Clevis Hitch Assemblies" on page P15</a>
14	---	-	<a href="#">See "Clevis Hitch Assemblies" on page P15</a>
15	---	-	<a href="#">See "Clevis Hitch Assemblies" on page P15</a>
16	GA20249	1	Weigh Beam
17	G10648	1	Hex Head Cap Screw, 1"-8 x 6", Grade 8
	G10647	1	Hex Nut, 1"-8, Grade 8



ITEM	PART NO.	QTY.	DESCRIPTION
1	G10484001 G10327601	1	Scale Display Magnet
2	G10484101 G11068 G11616	2 6 6	Scale Display Bracket Phillips Flat Head Machine Screw, No. 10-24 x 5/8", Stainless Steel Lock Nut, No. 10-32
3	GD36973	-	RPM Sensor Bracket
4	GD33123	-	RPM Sensor Cable (Included W/G9770x)
5	GD26448	-	AutoLog Rotation Counter Sensor (Included W/G9770x)
6	GR1067	-	Pin
7	GR1171	-	Female Socket Contact
8	GR1068	-	Connector, Male
9	GR1170	-	Connector, Female
10	GR1069	-	Shrink Tube, 2½"
11	GR1431	-	Cable, 30' (If Applicable)
12	GD26450	-	Hose Clamp, 24SS (Included W/G9770x)
13	GD26449	-	Target (Included W/G9770x)
14	GD26447	-	RC Sensor Extension Cable, 16' (Included W/G9770x)
15	G10813301	-	Auxiliary Scale Display Extension Harness

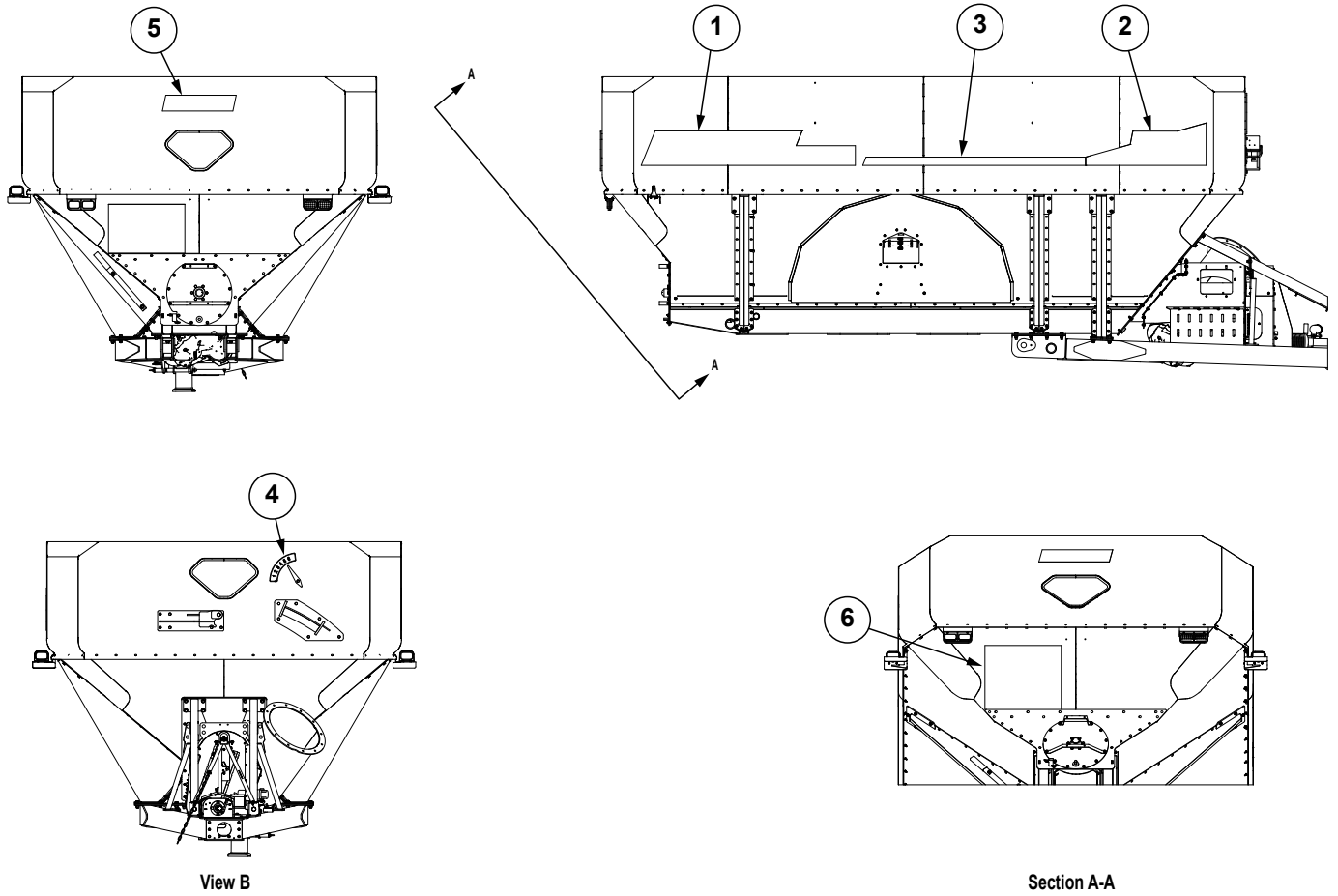
(A16798)



ITEM	PART NO.	QTY.	DESCRIPTION
1	G7100-451	4	Decal, Warning
2	G7100-110	5	Decal, Grease Weekly
3	G7100-557	4	Reflective Decal, Red, 2" x 9", Rectangular
4	G7100-559	4	Reflective Decal, Orange, 2" x 9", Rectangular
5	G7100-387	1	Decal, Warning
6	G7100-558	8	Reflective Decal, Amber, 2" x 9", Rectangular
7	G7100-484	1	Decal, American Flag

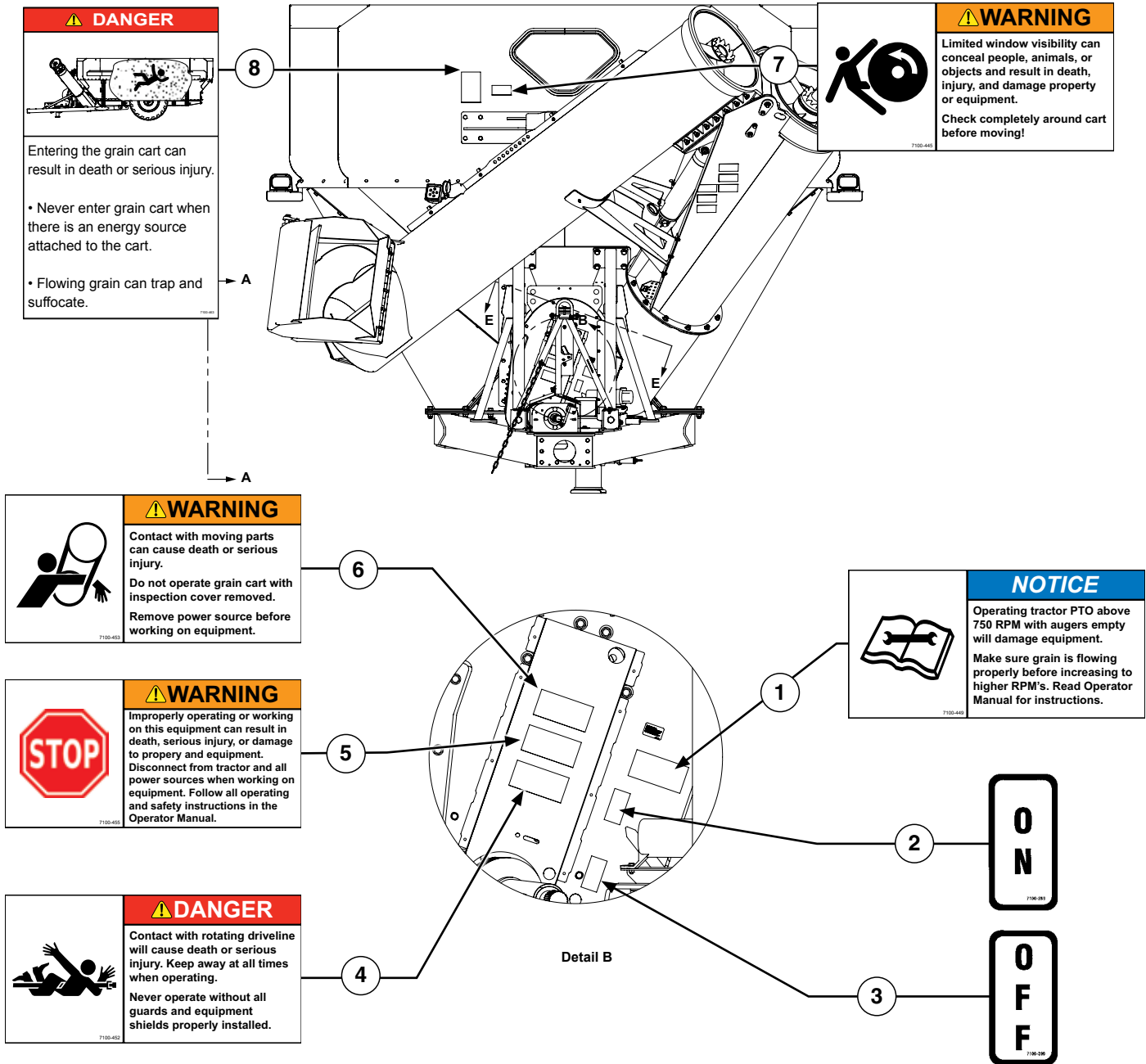
(105908)

Model 1321 Shown



ITEM	PART NO.	QTY.	DESCRIPTION
1	G10480701	2	Kinze Harvest Commander Decal, 14"
2	G10480601	2	Tail Graphic Decal, 1321
	G10480501	2	Tail Graphic Decal, 1421
	G10480401	2	Tail Graphic Decal, 1521
	G10480301	2	Tail Graphic Decal, 1721
3	G10480201	2	Stripe, 3½" Wide
4	G7100-466	1	Flow Gate Indicator Decal
5	G10480101	1	Kinze Logo Decal, 30"
6	G10480001	1	Kinze Man Outline Decal, 26" x 31"
7	G10599701	2	Stripe, 3½" x 36" Wide

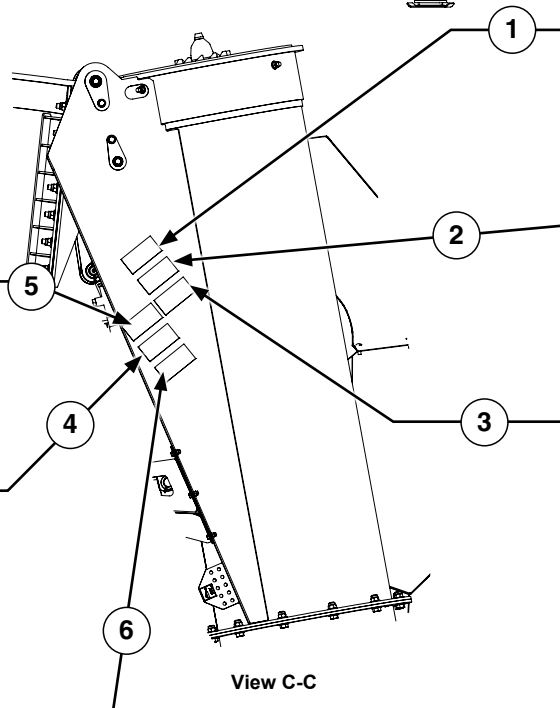
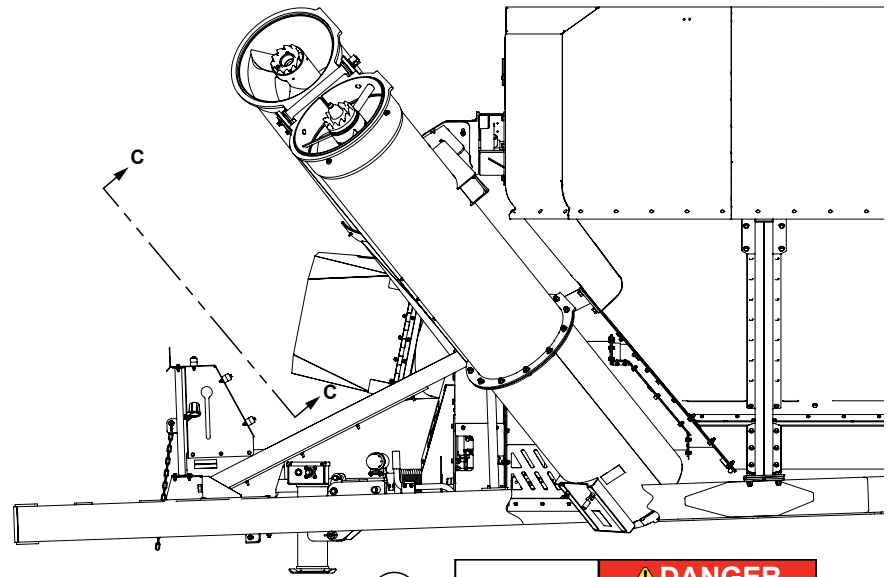
(10804801\_a)



ITEM	PART NO.	QTY.	DESCRIPTION
1	G7100-449	1	Decal, Notice
2	G7100-289	1	Decal, "On"
3	G7100-290	1	Decal, "Off"
4	G7100-452	1	Decal, Danger
5	G7100-455	1	Decal, Warning
6	G7100-453	1	Decal, Warning
7	G7100-445	1	Decal, Warning
8	G7100-463	1	Decal, Danger



(105909)



**WARNING**

Towing loaded grain carts on public roads and bridges can result in death, serious injury, and damage to property and equipment.

Never tow a loaded grain cart on public roads and bridges.

**DANGER**

Contacting rotating auger will cause death or serious injury. Never open or close dump door with auger operating.

Remove power source before using cleanout sweep or working on equipment.

**DANGER**

CONTACTING OR COMING CLOSE TO POWER LINES OR OTHER HIGH ENERGY SOURCES WILL CAUSE DEATH OR SERIOUS INJURY.

Keep away from power lines or high energy sources at all times.

**WARNING**

Contact with hydraulic folding auger can and cause death, serious injury, and damage to property and equipment. Stay away from folding auger at all times. Make sure auger is clear of people and objects before folding or unfolding.

**WARNING**

Loss of control can cause death or serious injury, or damage to property and equipment. Tow only with farm tractor weight rated and configured for this equipment. Use safety chains and transport as specified in the Operator and Parts Manual.

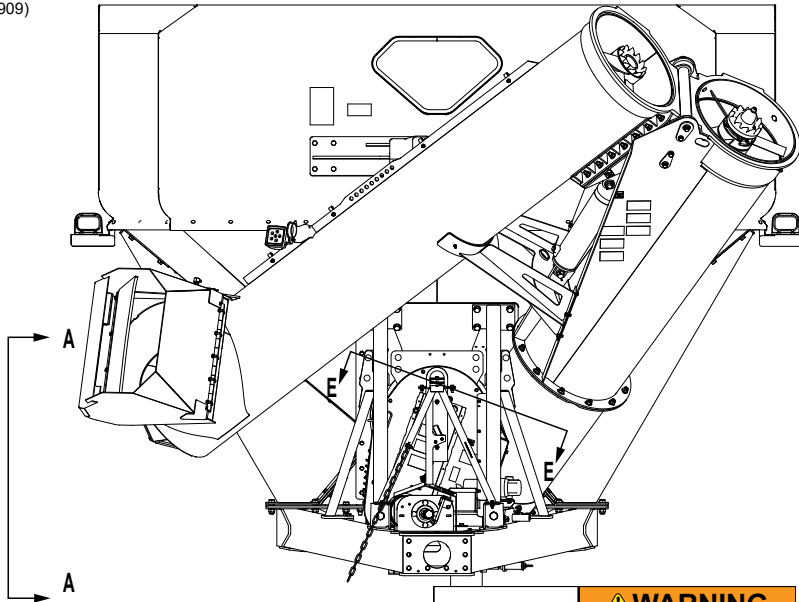
**NOTICE**

Towing grain carts with vertical auger extended can result in equipment damage.

Only operate with vertical auger extended when unloading cart.

ITEM	PART NO.	QTY.	DESCRIPTION
1	G7100-382	1	Decal, Danger
2	G7100-454	1	Decal, Warning
3	G7100-393	1	Decal, Warning
4	G7100-447	1	Decal, Danger
5	G7100-446	1	Decal, Warning
6	G7100-528	1	Decal, Notice

(105909)



**NOTICE**

Operating tractor PTO above 750 RPM with augers empty will damage equipment.

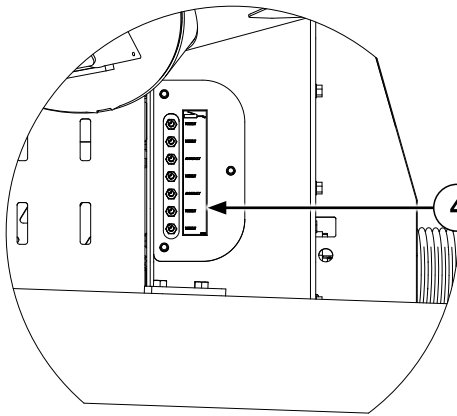
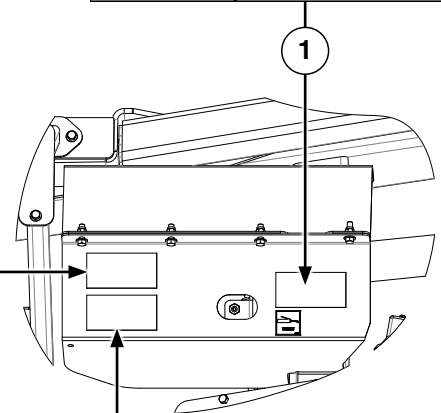
Make sure grain is flowing properly before increasing to higher RPM's. Read Operator Manual for instructions.

**WARNING**

Contact with moving parts can cause death or serious injury.

Do not operate grain cart with inspection cover removed.

Remove power source before working on equipment.



View A-A

WEEKLY

WEEKLY

ANNUALLY

WEEKLY

ANNUALLY

WEEKLY

WEEKLY

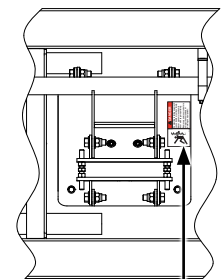
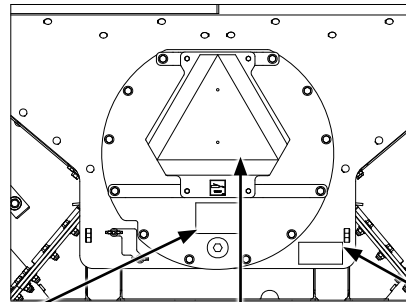
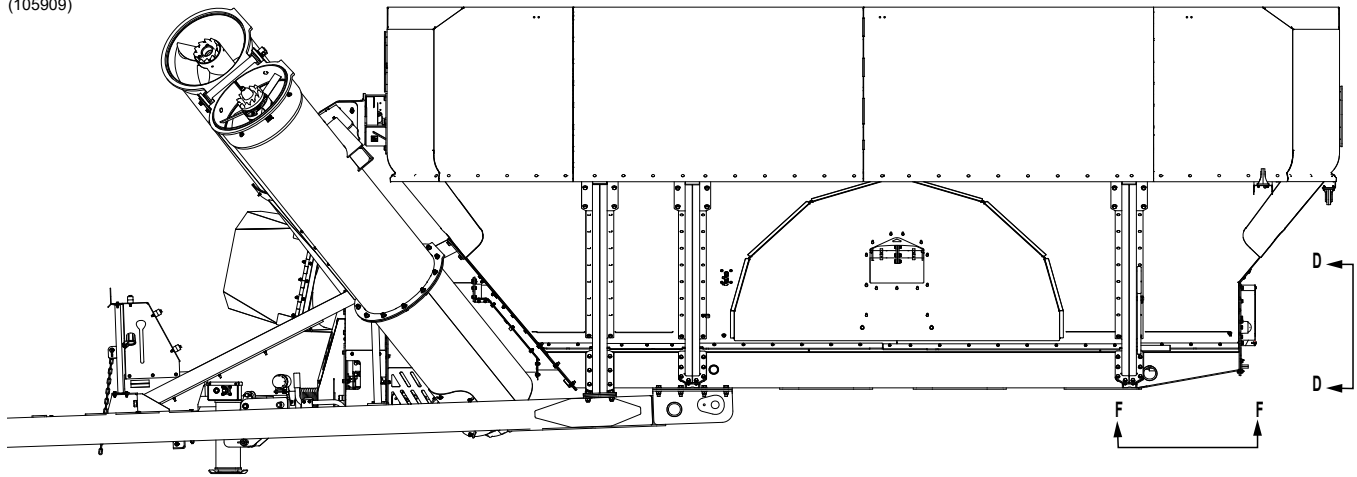
**DANGER**

Contact with rotating driveline will cause death or serious injury. Keep away at all times when operating.

Never operate without all guards and equipment shields properly installed.

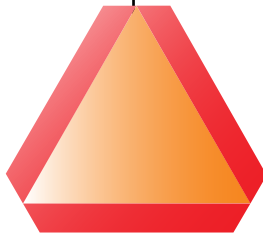
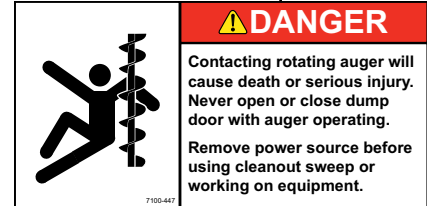
ITEM	PART NO.	QTY.	DESCRIPTION
1	G7100-449	1	Decal, Notice
2	G7100-452	1	Decal, Warning
3	G7100-453	1	Decal, Warning
4	G10575401	1	Grease Bank Decal

(105909)

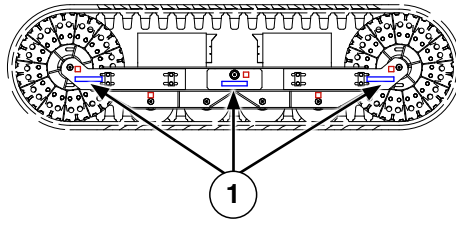


Section F-F




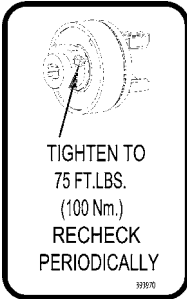
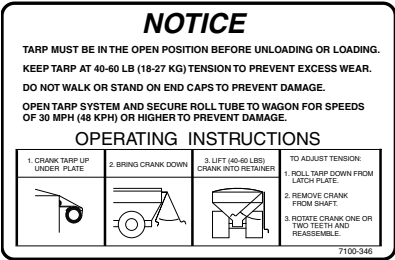



View D-D


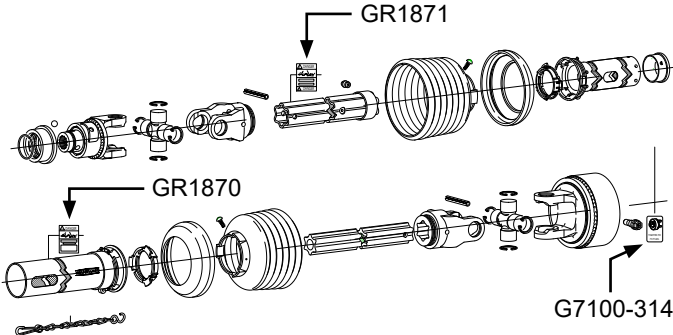
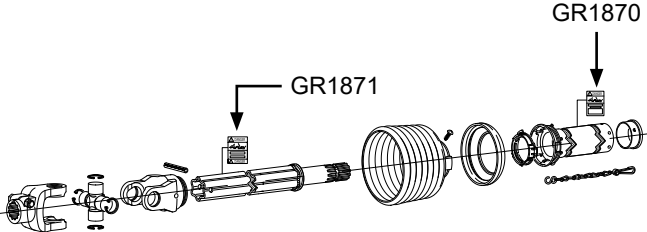





ITEM	PART NO.	QTY.	DESCRIPTION
1	G7100-282	1	Decal, Warning "Clean Out Sweep"
2	G7100-36	1	SMV Sign
	GD24834	1	SMV Plate
	G10019	4	Hex Head Cap Screw, 5/16"-18 x 1"
	G10620	4	Serrated Flange Nut, 5/16"-18
3	G10581701	1	Decal, Warning
4	G7100-447	1	Decal, Danger



ITEM	PART NO.	QTY.	DESCRIPTION
1	G7100-558	1	Reflective Decal, Amber, 2" x 9", Rectangular (Model 1721 Track Only)

	<p>Part No.: G7100-110 Description: Decal, Grease Weekly</p>
	<p>Part No.: G7100-277 Description: Decal, Grease Annually</p>
	<p>Part No.: G7100-116 Description: Decal, Grease Daily</p>
	<p>Part No.: G7100-314 Description: Decal, Torque Value</p>
	<p>Part No.: G7100-346 Description: Decal, Notice</p>
	<p>Part No.: G7100-130 Description: Decal, Electronic Scale</p>
	<p>Part No.: GD1512 Description: Cable Tie, 7½"</p>
	<p>Part No.: GD2117 Description: Cable Tie, 14½"</p>
	<p>Part No.: G7100-635 Description: Decal, Track Break-In</p>

	<p>Part No.: GR2127MPP Description: Blue Paint, Twelve Aerosol Cans</p>
	<p>Part No.: GR1870 Description: Outer Decal</p> <p>Part No.: GR1871 Description: Inner Decal</p> <p>Part No.: G7100-314 Description: Decal, Torque Value</p>
	
	<p>Part No.: GM0316-01 Description: Operator Manual</p> <p>Part No.: GM0316-02 Description: Parts Manual</p> <p>Part No.: GPR1094 Description: Binder (Contact Kinze Parts To Order)</p>
	<p>Part No.: G7100-437 Description: Decal, Tire Pressure (Flotation) Tire 1100/45R46, 189A8/B</p>
	<p>Part No.: G7100-522 Description: Decal, Tire Pressure (Flotation) Tire 1250/50R32, CFO</p>

**This page left blank intentionally.**

Part No.	Page	Part No.	Page	Part No.	Page	Part No.	Page
*A1018	P42	*D29666	P111	G10011	P8	G10054	P100
*A1018	P46	*D29692	P108	G10014	P70	G10062	P36
*A1018	P104	A16132	P110	G10014	P72	G10062	P38
*A1098	P42	A17219	P107	G10017	P23	G10062	P114
*A1098	P46	A8775	P107	G10017	P26	G10062	P115
*A1098	P104	A8775	P108	G10017	P28	G10064	P18
*A1110	P104	A9610	P111	G10017	P34	G10064	P119
*A1116	P104	D13169	P112	G10017	P42	G10068	P32
*A1121	P104	G10001	P22	G10017	P46	G10071	P18
*A1132	P9	G10001	P26	G10017	P50	G10071	P22
*A1132	P104	G10001	P28	G10017	P51	G10071	P23
*A1132	P104	G10001	P34	G10017	P67	G10071	P34
*A1140	P104	G10001	P36	G10019	P10	G10071	P50
*A1194	P104	G10001	P38	G10019	P76	G10071	P51
*A15013	P104	G10001	P75	G10019	P128	G10071	P67
*A18511	P12	G10001	P78	G10023	P18	G10071	P70
*A18512	P12	G10001	P106	G10026	P26	G10071	P72
*A24474	P111	G10003	P42	G10026	P28	G10085	P8
*A26936-290	P104	G10003	P46	G10026	P32	G10101	P78
*A27240-29	P12	G10003	P56	G10027	P34	G10101	P110
*A27240-31	P12	G10003	P60	G10027	P42	G10101	P111
*A27240-35	P12	G10003	P64	G10027	P46	G10102	P36
*A27240-37	P12	G10003	P78	G10027	P50	G10102	P38
*A27240-40	P12	G10004	P18	G10027	P51	G10106	P76
*A7665	P104	G10004	P22	G10027	P67	G10107	P8
*A7666	P104	G10004	P30	G10027	P82	G10107	P16
*A7691-187	P104	G10004	P36	G10027	P84	G10107	P26
*A7693-185	P104	G10004	P38	G10027	P86	G10107	P28
*D12050	P110	G10004	P67	G10029	P97	G10107	P32
*D12051	P110	G10004	P68	G10036	P8	G10107	P36
*D12092	P111	G10004	P76	G10037	P10	G10107	P38
*D12104	P110	G10004	P78	G10037	P36	G10107	P54
*D12200	P110	G10004	P104	G10037	P38	G10107	P56
*D12202	P110	G10005	P18	G10037	P67	G10107	P58
*D12203	P110	G10005	P26	G10038	P26	G10107	P60
*D12208	P110	G10005	P28	G10038	P28	G10107	P62
*D12209	P110	G10005	P32	G10039	P31	G10107	P64
*D12233	P108	G10005	P36	G10039	P67	G10108	P8
*D12235	P107	G10005	P38	G10041	P70	G10108	P10
*D12235	P108	G10005	P67	G10041	P78	G10108	P16
*D12236	P107	G10005	P70	G10043	P20	G10108	P18
*D12236	P108	G10005	P96	G10043	P22	G10108	P22
*D12239	P107	G10006	P26	G10043	P42	G10108	P36
*D12240	P111	G10006	P28	G10043	P46	G10108	P38
*D12246	P111	G10007	P16	G10043	P78	G10108	P54
*D12247	P111	G10008	P54	G10043	P99	G10108	P56
*D12253	P110	G10008	P56	G10043	P104	G10108	P58
*D12255	P111	G10008	P58	G10047	P16	G10108	P60
*D12256	P108	G10008	P60	G10047	P26	G10108	P62
*D12277	P107	G10008	P62	G10047	P28	G10108	P64
*D19250	P107	G10008	P64	G10047	P75	G10108	P67
*D19251	P107	G10008	P67	G10054	P22	G10108	P70



Part No.	Page	Part No.	Page	Part No.	Page	Part No.	Page
G10108	P76	G10228	P28	G10413401	P38	G10531901	P30
G10108	P107	G10229	P12	G10414101	P36	G10533301	P9
G10108	P108	G10229	P42	G10414101	P38	G10533501	P8
G10108	P119	G10229	P46	G10414401	P36	G10534101	P18
G10109	P26	G10229	P78	G10414401	P38	G10534201	P18
G10109	P28	G10230	P96	G10414501	P36	G10535	P97
G10109	P39	G10231	P32	G10414501	P38	G10535	P98
G10109	P70	G10232	P10	G10415101	P36	G10535501	P36
G10109	P78	G10232	P20	G10415101	P38	G10535501	P38
G10110	P8	G10232	P78	G10415201	P36	G10535701	P36
G10110	P18	G10233	P8	G10415201	P38	G10535701	P38
G10110	P42	G10233	P10	G10415301	P36	G10536501	P70
G10110	P46	G10233	P30	G10415301	P38	G10536501	P118
G10110	P119	G10234	P32	G10415601	P36	G10539	P96
G10111	P8	G10234	P86	G10416801	P36	G10540203	P36
G10111	P10	G10236	P97	G10416901	P36	G10540203	P38
G10111	P23	G10236	P98	G10416901	P38	G10540204	P36
G10111	P26	G10303	P75	G10419701	P34	G10540204	P38
G10111	P28	G10305	P75	G10430	P78	G10542001	P36
G10111	P31	G10322	P26	G10441	P15	G10542001	P38
G10111	P34	G10322	P28	G10441	P15	G10544201	P34
G10111	P42	G10324	P96	G10441	P15	G10544801	P28
G10111	P46	G10325	P18	G10450	P26	G10544801	P34
G10111	P50	G10327601	P122	G10450	P28	G10548501	P36
G10111	P67	G10328	P12	G10453	P8	G10548501	P38
G10111	P75	G10330	P15	G10459	P13	G10548701	P38
G10111	P120	G10330	P15	G10460	P26	G10550301	P31
G10112	P8	G10330	P15	G10460	P28	G10550401	P32
G10112	P34	G10336	P32	G10468001	P32	G10555101	P18
G10112	P42	G10336	P86	G10480001	P124	G10556701	P36
G10112	P46	G10396	P43	G10480101	P124	G10556701	P38
G10112	P50	G10396	P47	G10480201	P124	G10561201	P18
G10112	P51	G10396	P51	G10480301	P124	G10561301	P18
G10112	P67	G10396	P70	G10480401	P124	G10565201	P120
G10112	P82	G10396	P84	G10480501	P124	G10569701	P67
G10112	P84	G10400	P82	G10480601	P124	G10570	P78
G10112	P86	G10404	P86	G10480701	P124	G10571501	P72
G10113301	P118	G10410701	P36	G10484001	P122	G10571701	P72
G10119	P43	G10410701	P38	G10484101	P122	G10572301	P72
G10119	P47	G10411001	P36	G10488101	P15	G10572501	P72
G10119	P51	G10411001	P38	G10492	P113	G10572801	P72
G10119	P70	G10411901	P36	G10494601	P18	G10573301	P72
G10157	P16	G10411901	P38	G10522	P42	G10573401	P70
G10159	P26	G10412001	P36	G10522	P46	G10573901	P72
G10159	P28	G10412001	P38	G10525801	P18	G10573901	P72
G10163	P34	G10412201	P36	G10526001	P18	G10574701	P72
G10172	P18	G10412201	P38	G10527001	P22	G10575401	P127
G10203	P36	G10413001	P36	G10530301	P30	G10575701	P72
G10210	P16	G10413001	P38	G10531201	P9	G10576101	P72
G10210	P34	G10413301	P36	G10531601	P30	G10576701	P72
G10224	P13	G10413301	P38	G10531701	P30	G10581	P8
G10228	P26	G10413401	P36	G10531801	P30	G10581701	P128

Part No.	Page	Part No.	Page	Part No.	Page	Part No.	Page
G10590001	P75	G10714101	P10	G11042	P68	G11386	P78
G10599	P8	G10714201	P8	G11051	P34	G11387	P12
G10599	P18	G10714201	P10	G11058	P16	G11387	P18
G10599	P42	G10730	P8	G11068	P122	G11387	P22
G10599	P47	G10742901	P28	G11084	P18	G11387	P26
G10599	P50	G10743	P8	G11091	P18	G11387	P28
G10599	P67	G10746901	P28	G11091	P22	G11387	P34
G10599	P70	G10747201	P27	G11091	P26	G11387	P38
G10599	P76	G10756801	P28	G11091	P28	G11387	P56
G10599	P119	G10765401	P70	G11091	P34	G11387	P60
G10599602	P36	G10770	P112	G11091	P42	G11387	P64
G10599602	P38	G10772001	P76	G11091	P46	G11387	P67
G10599701	P124	G10775001	P28	G11091	P50	G11387	P68
G10602	P10	G10794001	P27	G11091	P67	G11387	P76
G10602	P18	G10794101	P8	G11091	P68	G11387	P78
G10610	P20	G10798901	P34	G11091	P70	G11389	P18
G10610	P75	G10799001	P38	G11091	P75	G11389	P23
G10615001	P106	G10808	P84	G11091	P78	G11389	P26
G10620	P42	G10809	P54	G11091	P104	G11389	P28
G10620	P46	G10809	P56	G11091	P106	G11389	P31
G10620	P76	G10809	P58	G11091	P114	G11389	P34
G10620	P104	G10809	P60	G11091	P115	G11389	P36
G10620	P128	G10809	P62	G11094	P12	G11389	P38
G10621	P18	G10809	P64	G11094	P22	G11389	P42
G10622	P8	G10813301	P122	G11094	P106	G11389	P47
G10625	P82	G10834401	P15	G11096	P15	G11389	P67
G10625	P99	G10840	P20	G11124	P8	G11389	P70
G10625	P100	G10895	P82	G11124	P23	G11389	P76
G10634101	P36	G10901	P75	G11124	P42	G11391	P8
G10634101	P38	G10901	P78	G11124	P46	G11391	P16
G10636	P31	G10902	P78	G11162	P22	G11391	P23
G10636	P72	G10909	P18	G11174	P31	G11391	P26
G10638	P8	G10932	P110	G11182	P75	G11391	P28
G10640	P106	G10939	P107	G11182	P78	G11391	P36
G10641	P90	G10939	P108	G11192	P39	G11391	P38
G10641	P90	G10939	P110	G11196	P99	G11391	P54
G10641	P90	G10939	P111	G11200	P120	G11391	P56
G10641	P97	G10958	P110	G11223	P18	G11391	P58
G10641	P98	G10960	P20	G11229	P76	G11391	P60
G10643	P9	G10967	P107	G11229	P120	G11391	P62
G10643	P12	G10974	P26	G11271	P8	G11391	P64
G10644201	P36	G10989401	P9	G11271	P23	G11391	P67
G10644201	P38	G10991	P78	G11271	P86	G11392	P34
G10647	P15	G11001001	P78	G11272	P26	G11392	P42
G10647	P120	G11001101	P78	G11272	P28	G11392	P46
G10648	P120	G11003901	P34	G11299	P75	G11392	P50
G10651801	P31	G11012	P18	G11314	P68	G11392	P51
G10652101	P31	G11028	P8	G11328	P18	G11392	P67
G10657	P42	G11030	P20	G11334	P26	G11392	P82
G10657	P46	G11031	P20	G11334	P28	G11392	P84
G10671	P16	G11032	P20	G11386	P22	G11392	P86
G10686	P10	G11039	P96	G11386	P39	G11394	P18

Part No.	Page	Part No.	Page	Part No.	Page	Part No.	Page
G11394	P54	G11802	P47	G6801-06-08	P114	G9940X	P16
G11394	P58	G11802	P70	G6801-06-08	P115	GA0237	P13
G11394	P62	G11874	P16	G6801-06-08	P116	GA0238	P13
G11394	P64	G11897	P13	G6801-08	P42	GA0239	P13
G11406	P76	G12039	P88	G6801-08	P46	GA0449	P32
G11409	P42	G12040	P90	G6801-08	P104	GA0531	P99
G11409	P46	G12040	P91	G6801-08-08	P113	GA0532	P99
G11413	P23	G12202-16	P94	G6801-LL-06-08	P114	GA0779	P97
G11413	P34	G12202-16	P95	G6801-LL-06-08	P115	GA0779	P98
G11415	P18	G12203	P91	G6801-LL-06-08	P116	GA11365	P114
G11415	P47	G12204	P91	G6801-LL-08	P113	GA11365	P116
G11415	P67	G12205-50	P90	G7100-110	P123	GA11509	P99
G11415	P70	G12205-50	P91	G7100-110	P130	GA12403	P120
G11480	P8	G12206-60	P90	G7100-116	P130	GA13344	P75
G11480	P86	G12207-30	P88	G7100-130	P130	GA13345	P75
G11483	P78	G12207-30	P90	G7100-277	P130	GA13443	P75
G11484	P78	G12208-40	P88	G7100-282	P128	GA13651	P112
G11490	P23	G12209-50	P90	G7100-289	P125	GA13965	P110
G11509	P54	G12210-60	P88	G7100-290	P125	GA14328	P97
G11509	P58	G12211-70	P88	G7100-314	P130	GA14568	P22
G11509	P62	G12221	P93	G7100-314	P131	GA14773	P68
G11509	P64	G1501-02-02	P106	G7100-346	P130	GA14784	P96
G11510	P54	G1K617	P76	G7100-36	P128	GA14785	P96
G11510	P58	G2406-08-06	P104	G7100-382	P126	GA14799	P115
G11510	P62	G2701-08	P42	G7100-387	P123	GA14992	P20
G11510	P64	G2701-08	P46	G7100-393	P126	GA15422	P18
G11511	P26	G2701-08	P104	G7100-437	P131	GA15469	P119
G11511	P28	G2800-01	P13	G7100-445	P125	GA15470	P119
G11511	P43	G306-08	P42	G7100-446	P126	GA15471	P119
G11511	P47	G306-08	P46	G7100-447	P126	GA15472	P32
G11511	P70	G306-08	P104	G7100-447	P128	GA15472	P118
G11512	P26	G3324-01	P16	G7100-449	P125	GA15585	P98
G11512	P28	G3400-01	P10	G7100-449	P127	GA15587	P98
G11513	P26	G5503-02-02	P106	G7100-451	P123	GA15589	P97
G11513	P28	G6400-06	P110	G7100-452	P125	GA15590	P97
G11530	P26	G6400-06-08	P114	G7100-452	P127	GA15591	P96
G11530	P28	G6400-06-08	P115	G7100-453	P125	GA15594	P96
G11531	P26	G6400-06-08	P116	G7100-453	P127	GA15624	P72
G11531	P28	G6400-08	P113	G7100-454	P126	GA15638	P72
G11558	P12	G6408-06	P110	G7100-455	P125	GA15838	P86
G11558	P22	G6408-08	P107	G7100-463	P125	GA15899	P4
G11558	P106	G6408-08	P108	G7100-466	P124	GA15899	P22
G11559	P32	G6408-08	P111	G7100-484	P123	GA15984	P34
G11605	P78	G6408-08	P114	G7100-528	P126	GA15990	P13
G11616	P122	G6500-06	P104	G7100-557	P123	GA15991	P13
G11721	P75	G6500-06-08	P42	G7100-558	P123	GA15991	P34
G11723	P75	G6500-06-08	P46	G7100-558	P129	GA16001	P30
G11724	P75	G6500-08	P104	G7100-559	P123	GA16008	P6
G11725	P9	G6500-08	P113	G7100-635	P130	GA16008	P6
G11725	P106	G6602-06	P104	G8367X	P120	GA16008	P23
G11737	P8	G6801-06	P104	G9492X	P78	GA16018	P70
G11802	P43	G6801-06-08	P112	G9770X	P120	GA16021	P42

Part No.	Page	Part No.	Page	Part No.	Page	Part No.	Page
GA16021	P46	GA16274	P34	GA16675	P115	GA17051	P20
GA16021	P50	GA16275	P34	GA16676	P114	GA17052	P20
GA16022	P42	GA16278	P67	GA16676	P116	GA17053	P20
GA16022	P46	GA16296	P82	GA16694	P70	GA17076	P62
GA16022	P50	GA16296	P84	GA16707	P46	GA17081	P58
GA16023	P25	GA16296	P86	GA16708	P46	GA17092	P8
GA16024	P26	GA16318	P54	GA16709	P67	GA17147	P97
GA16024	P28	GA16318	P56	GA16710	P67	GA17147	P98
GA16025	P26	GA16318	P58	GA16718	P70	GA17166	P54
GA16029	P42	GA16318	P60	GA16727	P67	GA17167	P54
GA16029	P46	GA16318	P62	GA16727	P68	GA17169	P54
GA16029	P50	GA16318	P64	GA16730	P56	GA17169	P62
GA16030	P42	GA16319	P54	GA16731	P56	GA17170	P54
GA16030	P46	GA16319	P56	GA16732	P56	GA17170	P62
GA16030	P50	GA16319	P58	GA16733	P54	GA17220	P54
GA16033	P46	GA16319	P60	GA16741	P42	GA17220	P107
GA16034	P46	GA16319	P62	GA16742	P42	GA17234	P58
GA16053	P34	GA16319	P64	GA16765	P60	GA17235	P58
GA16054	P34	GA16320	P58	GA16766	P60	GA17237	P58
GA16080	P26	GA16353	P118	GA16767	P58	GA17237	P62
GA16080	P27	GA16354	P118	GA16768	P60	GA17237	P64
GA16133	P110	GA16356	P75	GA16770	P60	GA17237	P107
GA16134	P25	GA16357	P75	GA16771	P60	GA17242	P54
GA16134	P27	GA16403	P34	GA16772	P56	GA17242	P58
GA16134	P110	GA16405	P34	GA16772	P60	GA17242	P62
GA16156	P72	GA16447	P76	GA16772	P64	GA17242	P64
GA16188	P42	GA16448	P76	GA16773	P56	GA17246	P54
GA16188	P46	GA16450	P76	GA16773	P60	GA17270	P54
GA16196	P34	GA16453	P76	GA16773	P64	GA17645	P18
GA16198	P34	GA16454	P76	GA16774	P58	GA17973	P34
GA16215	P22	GA16455	P76	GA16775	P58	GA18028	P26
GA16225	P8	GA16460	P78	GA16778	P79	GA18028	P28
GA16226	P8	GA16497	P50	GA16780	P79	GA18154	P76
GA16228	P10	GA16498	P50	GA16814	P50	GA18155	P76
GA16230	P8	GA16614	P42	GA16815	P50	GA18392	P31
GA16231	P8	GA16614	P46	GA16855	P56	GA18487	P31
GA16233	P8	GA16615	P42	GA16861	P56	GA18513	P22
GA16234	P8	GA16615	P46	GA16911	P54	GA18517	P31
GA16235	P8	GA16616	P42	GA16911	P58	GA18554	P56
GA16238	P8	GA16616	P46	GA16911	P62	GA18554	P60
GA16239	P18	GA16624	P58	GA16912	P54	GA18554	P64
GA16240	P18	GA16624	P62	GA16912	P62	GA18777	P120
GA16241	P18	GA16625	P54	GA16938	P62	GA18833	P78
GA16242	P18	GA16625	P58	GA16939	P64	GA18835	P78
GA16243	P8	GA16625	P62	GA16996	P72	GA18836	P78
GA16246	P67	GA16650	P58	GA17036	P64	GA18840	P78
GA16247	P22	GA16651	P60	GA17037	P64	GA18949	P118
GA16263	P5	GA16652	P60	GA17038	P62	GA19119	P22
GA16263	P22	GA16652	P64	GA17039	P62	GA19431	P113
GA16264	P67	GA16653	P60	GA17044	P20	GA19446	P15
GA16266	P42	GA16653	P64	GA17046	P18	GA19740	P67
GA16267	P42	GA16669	P22	GA17049	P15	GA19741	P67

Part No.	Page	Part No.	Page	Part No.	Page	Part No.	Page
GA19742	P68	GA21669	P51	GA6772	P120	GD11950	P108
GA19744	P67	GA22224	P76	GA7561	P15	GD11984	P110
GA19746	P67	GA22299	P26	GA8130	P110	GD12101	P108
GA19747	P68	GA22299	P28	GA8130	P111	GD12239	P110
GA19882	P120	GA22330	P119	GA8882	P110	GD12510	P108
GA20045	P118	GA22936	P9	GA9256	P25	GD12572	P111
GA20089	P54	GA23098	P9	GA9257	P25	GD13088	P8
GA20090	P56	GA24128	P101	GA9257	P27	GD13172	P112
GA20091	P58	GA24129	P101	GA9316	P13	GD13173	P112
GA20092	P60	GA24130	P101	GA9357	P10	GD13348	P12
GA20093	P62	GA24359	P84	GA9561	P112	GD13348	P70
GA20094	P64	GA24606	P120	GA9616	P8	GD13348	P106
GA20206	P82	GA24936	P90	GA9616	P112	GD13348	P119
GA20207	P82	GA24938	P88	GA9665	P20	GD13400	P112
GA20209	P86	GA24939	P90	GA9705	P42	GD13499	P113
GA20211	P82	GA24939	P95	GA9705	P46	GD13541	P112
GA20211	P84	GA24940	P90	GA9705	P104	GD13598	P20
GA20211	P86	GA24940	P93	GA9975	P101	GD13600	P20
GA20220	P82	GA24941	P93	GA9975	P101	GD13601	P20
GA20220	P84	GA24942	P90	GB0218	P8	GD13602	P20
GA20220	P86	GA24942	P94	GB0218	P36	GD13603	P20
GA20224	P51	GA24943	P94	GB0218	P38	GD13604	P20
GA20224	P51	GA24943	P95	GB0218	P54	GD13605	P20
GA20224	P70	GA24944	P91	GB0218	P56	GD13606	P20
GA20225	P47	GA25054	P94	GB0218	P58	GD13608	P20
GA20225	P51	GA25054	P95	GB0218	P60	GD13609	P20
GA20225	P70	GA25096	P26	GB0218	P62	GD13610	P20
GA20230	P51	GA25096	P28	GB0218	P64	GD13677	P8
GA20249	P120	GA25119	P23	GB0338	P10	GD13698	P20
GA20462	P118	GA25120	P39	GB0378	P8	GD13736	P26
GA20808	P25	GA25121	P39	GB0382	P99	GD13736	P27
GA20808	P27	GA25302	P72	GB0409	P26	GD13755	P18
GA20808	P111	GA25549	P70	GB0409	P28	GD13763	P10
GA21006	P43	GA26166	P108	GB0654	P54	GD13778	P32
GA21006	P51	GA26924-01	P104	GB0654	P56	GD13804	P34
GA21166	P30	GA26924-02	P104	GB0654	P58	GD13805	P34
GA21166	P108	GA26924-03	P104	GB0654	P60	GD14610	P8
GA21313	P75	GA26924-04	P104	GB0654	P62	GD14671	P47
GA21314	P75	GA27240-100	P106	GB0654	P64	GD14671	P67
GA21315	P22	GA27240-102	P106	GB0672	P54	GD1512	P130
GA21414	P31	GA27240-106	P106	GB0672	P56	GD16200	P110
GA21452	P101	GA27240-114	P106	GB0672	P58	GD16202	P110
GA21453	P101	GA27240-117	P106	GB0672	P60	GD16565	P99
GA21454	P101	GA27240-265	P106	GB0672	P62	GD16709	P99
GA21661	P70	GA27240-85	P106	GB0672	P64	GD16710	P99
GA21662	P51	GA27240-87	P106	GD10532	P26	GD16712	P82
GA21663	P51	GA4214	P15	GD10532	P28	GD17161	P30
GA21664	P51	GA4293	P114	GD10705	P18	GD17161	P34
GA21665	P51	GA4293	P115	GD11649	P36	GD17161	P67
GA21666	P70	GA4293	P116	GD11649	P38	GD18828	P26
GA21667	P70	GA5487	P98	GD11751	P110	GD18828	P28
GA21668	P51	GA6497	P26	GD11751	P111	GD18974	P76

Part No.	Page	Part No.	Page	Part No.	Page	Part No.	Page
GD18975	P76	GD23679	P56	GD24253	P79	GD26398	P46
GD18976	P76	GD23679	P58	GD24254	P79	GD26400	P42
GD18978	P76	GD23679	P60	GD24294	P104	GD26400	P46
GD18980	P76	GD23679	P62	GD24295	P114	GD26401	P46
GD18982	P76	GD23679	P64	GD24295	P115	GD26402	P42
GD18986	P76	GD23841	P76	GD24296	P104	GD26403	P42
GD18987	P76	GD23842	P76	GD24413	P70	GD26404	P42
GD18990	P76	GD23847	P76	GD24516	P22	GD26405	P42
GD18990	P78	GD23848	P75	GD24615	P4	GD26425	P42
GD18991	P76	GD23849	P75	GD24758	P96	GD26425	P46
GD18992	P76	GD23850	P75	GD24759	P96	GD26426	P42
GD19067	P76	GD23851	P75	GD24761	P8	GD26426	P46
GD19068	P76	GD23855	P78	GD24834	P128	GD26428	P34
GD19068	P78	GD23856	P78	GD24835	P34	GD26430	P34
GD19169	P75	GD23866	P8	GD24836	P34	GD26432	P34
GD19171	P76	GD23890	P23	GD24851	P8	GD26441-01	P34
GD19662	P107	GD23893	P34	GD24951	P70	GD26442-01	P34
GD20399	P97	GD23894	P18	GD24952	P97	GD26442-02	P34
GD20443	P97	GD23896	P70	GD24952	P98	GD26442-03	P34
GD20444	P97	GD23897	P70	GD24972	P120	GD26447	P122
GD20596	P75	GD23979	P54	GD24975	P67	GD26448	P122
GD2117	P130	GD23979	P56	GD24976	P67	GD26449	P122
GD21206	P8	GD23979	P58	GD24996	P42	GD26450	P122
GD2169	P97	GD23979	P58	GD24996	P46	GD26452	P46
GD22536	P99	GD23979	P60	GD25033	P28	GD26453	P42
GD22585	P25	GD23979	P62	GD25033	P31	GD26453	P46
GD22585	P27	GD23979	P64	GD25034	P28	GD26682	P72
GD22758	P100	GD23982	P119	GD25034	P31	GD26695	P46
GD22880	P86	GD24006	P42	GD25065	P107	GD26699	P46
GD23211	P26	GD24006	P46	GD25067	P20	GD26752	P22
GD23211	P28	GD24006	P104	GD25077-01	P75	GD26892	P31
GD23295	P72	GD24011	P56	GD25138	P107	GD26963	P67
GD23296	P72	GD24011	P60	GD25203	P86	GD27036	P78
GD23297	P72	GD24011	P64	GD25306	P9	GD27037	P78
GD23343	P34	GD24014	P56	GD25306	P54	GD27038	P78
GD23404	P110	GD24014	P60	GD25306	P56	GD27039	P78
GD23483	P34	GD24014	P64	GD25306	P58	GD27041	P78
GD23510	P8	GD24033	P8	GD25306	P58	GD27042	P78
GD23511	P8	GD24041	P78	GD25306	P60	GD27043	P78
GD23512	P8	GD24063	P67	GD25306	P62	GD27044	P78
GD23513	P8	GD24094	P78	GD25306	P64	GD27081	P75
GD23515	P75	GD24104	P114	GD25419	P31	GD27082	P75
GD23537	P4	GD24104	P115	GD2558	P18	GD27095	P78
GD23537	P5	GD24105	P116	GD2558	P67	GD27100	P78
GD23580	P8	GD24118	P54	GD26023	P39	GD27232	P112
GD23672	P54	GD24118	P58	GD26196	P26	GD27233	P108
GD23672	P56	GD24118	P62	GD26196	P28	GD27236	P111
GD23672	P58	GD24127	P18	GD26394	P46	GD28192	P67
GD23672	P60	GD24242	P67	GD26396	P46	GD28198	P68
GD23672	P62	GD24245	P67	GD26397	P42	GD28679	P97
GD23672	P64	GD24246	P68	GD26397	P46	GD28679	P98
GD23679	P54	GD24252	P79	GD26398	P42	GD29032	P82

Part No.	Page	Part No.	Page	Part No.	Page	Part No.	Page
GD29032	P84	GD34843	P90	GD34944	P94	GR0193	P64
GD29032	P86	GD34844	P95	GD34944	P95	GR0270	P34
GD29033	P26	GD34845	P94	GD34945	P92	GR0323	P97
GD29033	P28	GD34846	P90	GD34946	P92	GR0323	P98
GD29033	P118	GD34847	P90	GD34947	P92	GR0367	P30
GD29052	P82	GD34849	P90	GD34948	P92	GR0375	P54
GD29052	P84	GD34850	P90	GD35090	P93	GR0375	P58
GD29052	P86	GD34851	P90	GD35090	P94	GR0375	P62
GD29053	P82	GD34852	P94	GD35090	P95	GR0375	P64
GD29053	P84	GD34852	P95	GD35091	P90	GR0761	P115
GD29053	P86	GD34853	P90	GD35092	P88	GR1037	P104
GD29292	P82	GD34854	P90	GD35128	P16	GR1037	P107
GD29292	P84	GD34855	P90	GD35129	P16	GR1037	P111
GD29292	P86	GD34856	P88	GD35201	P16	GR1037	P112
GD29309	P120	GD34857	P88	GD35310	P91	GR1037	P113
GD29310	P120	GD34858	P88	GD35334	P72	GR1037	P116
GD29312	P31	GD34859	P88	GD35335	P72	GR1037	P108
GD29478	P76	GD34861	P90	GD35336	P72	GR1037	P114
GD29479	P76	GD34862	P90	GD35337	P72	GR1037	P114
GD29559	P43	GD34863	P90	GD35413-8.25	P106	GR1037	P114
GD29559	P47	GD34864	P88	GD36717	P93	GR1037	P115
GD29559	P50	GD34865	P88	GD36718	P93	GR1037	P115
GD29560	P42	GD34866	P94	GD36719	P93	GR1037	P116
GD29560	P47	GD34866	P95	GD36764	P67	GR1045	P104
GD29560	P50	GD34867	P90	GD36973	P122	GR1045	P110
GD29638	P18	GD34868	P90	GD36998	P12	GR1045	P110
GD29667	P111	GD34869	P88	GD4086	P104	GR1067	P122
GD29668	P111	GD34870	P90	GD4632	P107	GR1068	P122
GD29689	P108	GD34871	P93	GD5900-29	P8	GR1069	P122
GD2971-13	P10	GD34872	P90	GD5949	P107	GR1170	P122
GD29792	P31	GD34873	P88	GD6136	P26	GR1171	P122
GD29793	P32	GD34874	P90	GD6136	P28	GR1211	P2
GD30439	P108	GD34878	P90	GD6291	P12	GR1211	P4
GD30616	P101	GD34879	P88	GD6433	P32	GR1211	P5
GD30616	P101	GD34880	P90	GD7452	P97	GR1212	P2
GD31503	P26	GD34882	P90	GD7452	P98	GR1212	P4
GD31503	P28	GD34883	P93	GD7460	P97	GR1215	P2
GD31526	P76	GD34884	P88	GD7460	P98	GR1215	P5
GD33123	P122	GD34885	P88	GD7497	P98	GR1217	P5
GD33707	P18	GD34886	P88	GD7889	P10	GR1220	P2
GD34128	P9	GD34887	P88	GD8893-07	P16	GR1220	P5
GD3457-09	P32	GD34888	P88	GD9592	P32	GR1221	P5
GD34835	P93	GD34889	P91	GD9900	P96	GR1222	P2
GD34836	P88	GD34890	P93	GM0316-01	P131	GR1246	P2
GD34837	P93	GD34890	P94	GM0316-02	P131	GR1430	P2
GD34837	P94	GD34890	P95	GPR1094	P131	GR1431	P120
GD34837	P95	GD34891	P90	GR0189	P13	GR1431	P122
GD34838	P88	GD34891	P91	GR0191	P99	GR1517	P110
GD34839	P88	GD34892	P91	GR0193	P30	GR1517	P113
GD34840	P88	GD34893	P92	GR0193	P54	GR1598	P112
GD34842	P94	GD34943	P94	GR0193	P58	GR1600	P111
GD34842	P95	GD34943	P95	GR0193	P62	GR1640	P2

Part No.	Page	Part No.	Page	Part No.	Page	Part No.	Page
GR1642	P2	GR2059	P78				
GR1644	P2	GR2061	P4				
GR1645	P2	GR2062	P4				
GR1648	P2	GR2063	P5				
GR1649	P2	GR2064	P5				
GR1661	P2	GR2080	P116				
GR1669	P2	GR2095	P6				
GR1670	P2	GR2096	P6				
GR1672	P2	GR2097	P6				
GR1681	P99	GR2099	P6				
GR1681	P100	GR2101	P6				
GR1693	P2	GR2102	P6				
GR1694	P2	GR2127MPP	P131				
GR1695	P2	GR2229	P108				
GR1699	P2	GR2269	P2				
GR1700	P2	GR2270	P2				
GR1701	P2	GR2271	P2				
GR1704	P2	GR2272	P2				
GR1740	P110	GR2276	P88				
GR1750	P114	GR2277	P88				
GR1750	P116	GR2278	P93				
GR1756	P114	GR2278	P93				
GR1756	P116						
GR1762	P120						
GR1788	P2						
GR1789	P2						
GR1791	P2						
GR1792	P2						
GR1793	P2						
GR1794	P2						
GR1870	P131						
GR1871	P131						
GR1872	P5						
GR1930	P107						
GR2027	P100						
GR2029	P100						
GR2030	P100						
GR2031	P100						
GR2032	P100						
GR2033	P100						
GR2034	P100						
GR2035	P100						
GR2036	P100						
GR2037	P100						
GR2038	P100						
GR2039	P100						
GR2045	P2						
GR2045	P4						
GR2045	P5						
GR2049	P5						
GR2050	P2						
GR2050	P5						



**This page left blank intentionally.**