

# MODEL 3705 FRONT FOLDING EXPORT PLANTER PARTS MANUAL

**M0313-02**

**Rev. 11/22**

This manual applies to:            Model: 3705 Front Folding Planters  
   24 Row 70 cm; 2022 Production And On

Record the model number and serial number of your planter along with date purchased:

Serial Number \_\_\_\_\_

Date Purchased \_\_\_\_\_

Information in this manual was current at time of printing. However, due to Kinze's ongoing product improvement, production changes may cause your machine to appear slightly different in detail. Kinze Manufacturing, Inc. reserves the right to change specifications or design without notice and without incurring obligation to install the same on machines previously manufactured.

Right hand (R.H.) and left hand (L.H.), as used throughout this manual, are determined by facing in the direction the machine will travel when in use, unless otherwise stated.

**ROW UNIT**

Pull Row Unit Assembly . . . . . P1  
 Shank Assembly, Seed Tube, and Depth Adjustment . . . . . P3  
 Pneumatic Down Pressure Package Option . . . . . P5  
 Parallel Arms, Mounting Support Plate, and Quick  
 Adjustable Down Force Springs Option . . . . . P7  
 15" Seed Opener Disc Blade/Bearing Assembly  
 and Scrapers . . . . . P9  
 Gauge Wheels . . . . . P11  
 "V" Closing Wheels . . . . . P13  
 Hopper Support and Meter Drive . . . . . P15  
 Row Unit Idler . . . . . P17  
 Seed Hopper and Lid . . . . . P18  
 Ag Leader Electric Clutch . . . . . P19  
 Vacuum Seed Meter . . . . . P21  
 Granular Chemical . . . . . P23  
 Granular Chemical Meter and Meter Drive . . . . . P25  
 Granular Chemical Hopper and Hopper Panel Extension P26  
 Coulter Mounted Residue Wheels . . . . . P27  
 Row Unit Mounted Residue Wheel . . . . . P29  
 Row Unit Mounted No Till Coulter . . . . . P31

**VACUUM SYSTEM**

Vacuum Fan Assembly . . . . . P34  
 PTO Option . . . . . P35  
 PTO Reservoir Assembly . . . . . P37  
 Manifolds and Distribution Hoses . . . . . P39  
 Vacuum Fan/Manifold Mounting Supports and Hardware P41

**BASE MACHINE**

Front Hitch Assembly/Safety Chain . . . . . P43  
 Hitch and Linkage Assembly . . . . . P47  
 Front Hitch Assembly (Rear Section) . . . . . P49  
 Front Wear Pads . . . . . P50  
 Tower Assembly . . . . . P51  
 Stroke Limiter/Detent Valve Assembly and Linkage . . . . . P53  
 Hinge and Wing Assemblies . . . . . P55  
 Hinge and Wing Assemblies . . . . . P56  
 Hose Take-Up . . . . . P57  
 Axle and Transport Lockup . . . . . P60  
 Transport Wheel and Hub Assembly . . . . . P61  
 Wheel Module Assembly . . . . . P63  
 Ground Drive Tire Assembly . . . . . P66  
 Contact Wheel Assembly . . . . . P67  
 Point Row Clutch . . . . . P69  
 Air Compressor and Dual Solenoid Assembly . . . . . P73

Accumulator Assembly . . . . . P75  
 Ratchet/Sprocket Assembly . . . . . P76  
 Seed Rate Transmission and Driveline . . . . . P77  
 Row Marker Assembly . . . . . P79  
 Row Marker Spindle/Hub/Blade . . . . . P83

**HYDRAULICS**

Slave Cylinder . . . . . P87  
 Master Cylinder . . . . . P87  
 Hitch Paralled Linkage Cylinder . . . . . P88  
 Row Marker (Cushion) Cylinder . . . . . P89  
 Helper Cylinder . . . . . P90  
 Tongue Cylinder . . . . . P91  
 Valve Block on Front Hitch . . . . . P93  
 Bulk Fill/Vacuum Anti-Cavitation Check Valve Block  
 (Located on Vacuum Fan) . . . . . P95  
 Valve Block on Tower Assembly . . . . . P96  
 Valve Block on R.H. Wing . . . . . P97  
 Valve Block on L.H. Wing . . . . . P99  
 Pilot Pressure Booster Valve Block . . . . . P100  
 Junction Block on Hose Take-Up . . . . . P101  
 Detent Lever Valve . . . . . P102  
 Junction Block - Located on L.H. Wing . . . . . P102  
 Stroke Limiter Valve . . . . . P103  
 Pilot Operated Check Valve . . . . . P103  
 Solenoid Valve (G1K276) . . . . . P104  
 Solenoid Valve (G1K275) . . . . . P104  
 Pressure Relief Valves . . . . . P105  
 Check Valve . . . . . P105  
 Flow Control Valve . . . . . P105  
 Vacuum Fan Hydraulic Motor Assembly . . . . . P106  
 Vacuum Fan Motor Valve Block Assembly . . . . . P107  
 Hydraulic System . . . . . P109

**ELECTRONICS**

Electrical Components . . . . . P111  
 Light/Reflective Decal Brackets and Extensions . . . . . P114  
 KPM III Electronic Seed Monitor . . . . . P115  
 Miscellaneous Display Parts . . . . . P119  
 Planter Monitor Module (PMM) . . . . . P121  
 Ag Leader Electric Clutch Package . . . . . P123  
 ISOBUS Retrofit Cabling Package - Integra . . . . . P125

**FERTILIZER**

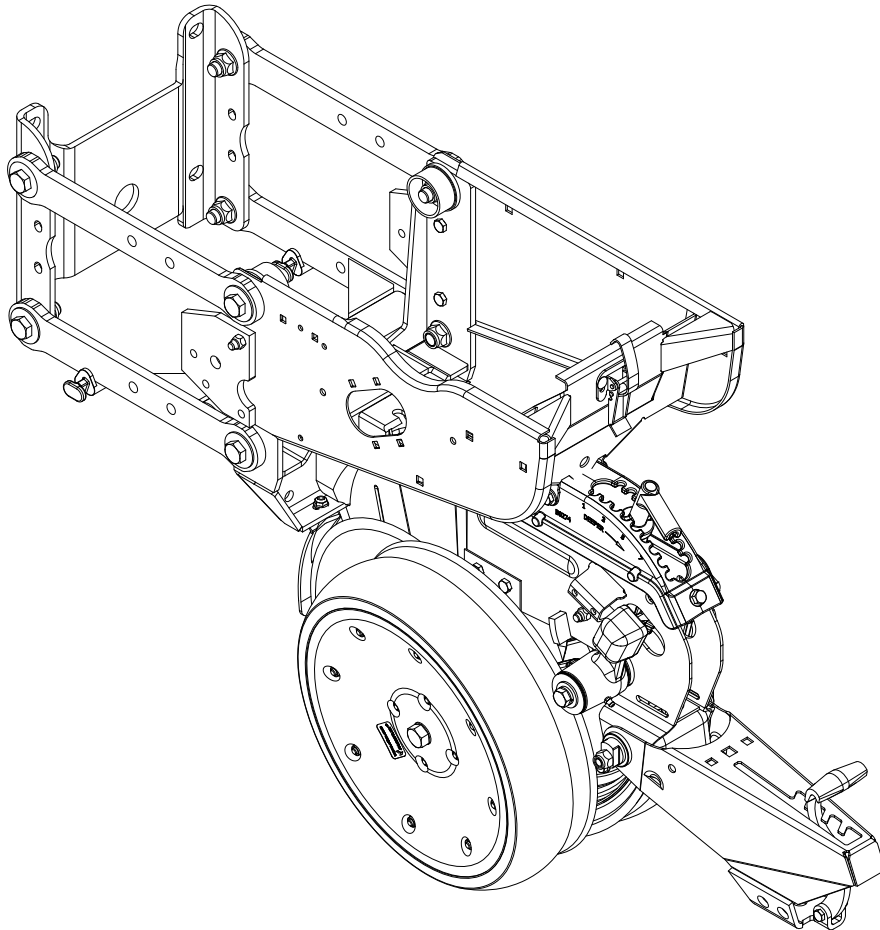
Liquid Fertilizer Piston Pump Drive . . . . . P127  
 Liquid Fertilizer Piston Pump Mount and

Ground Drive Wheel . . . . . P129  
Liquid Fertilizer Tube In Furrow . . . . . P132  
Liquid Fertilizer Hoses and Fittings . . . . . P133  
Liquid Fertilizer Piston Pump, NGP-6055 . . . . . P135  
Liquid Fertilizer Piston Pump, NGP-7055 . . . . . P137  
Liquid Fertilizer Piston Pump Flow Divider . . . . . P139  
Rear Trailer Hitch . . . . . P141

**DECALS, PAINT, AND MISCELLANEOUS P143**

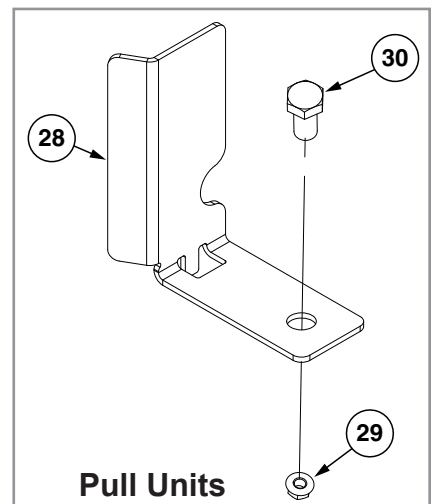
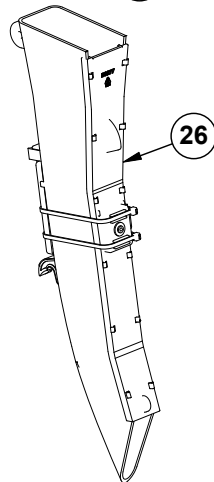
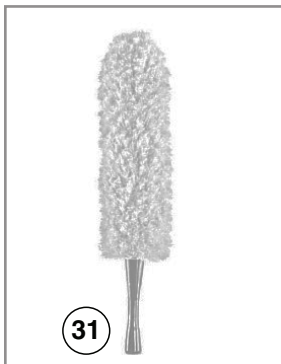
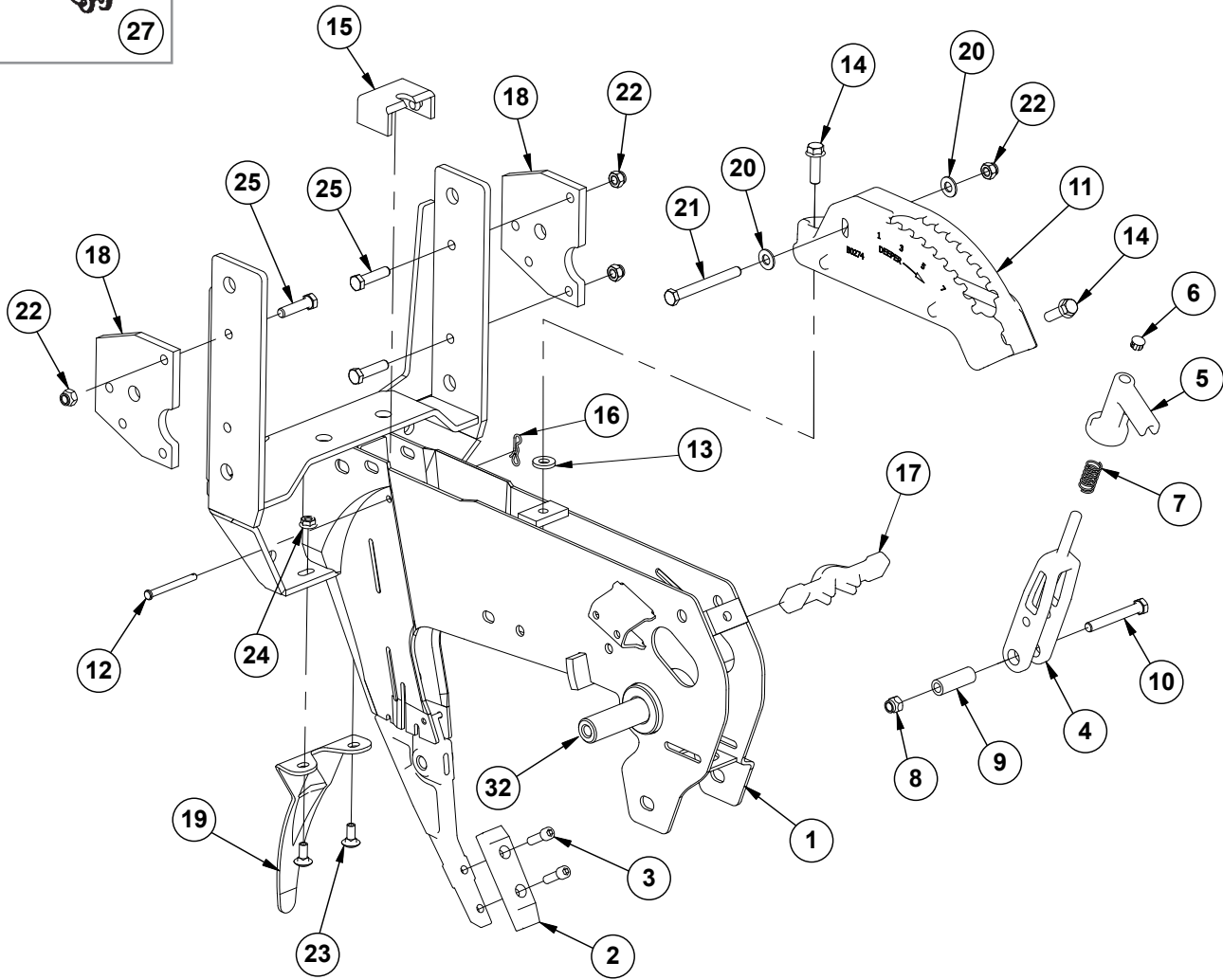
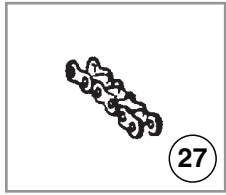
**NUMERICAL INDEX . . . . . P153**

**NOTE:** Row unit assembly does not include the following: seed meter assembly, seed tube assembly, row unit hopper assembly, closing wheels, or seed meter clutch.



ITEM	PART NO.	QTY. (Per Row)	DESCRIPTION
1	G10502X	1	Pull Row Unit Assembly (Standard Gauge Wheels)
2	G10984X	1	Pull Row Unit Assembly (Spoked Gauge Wheels)

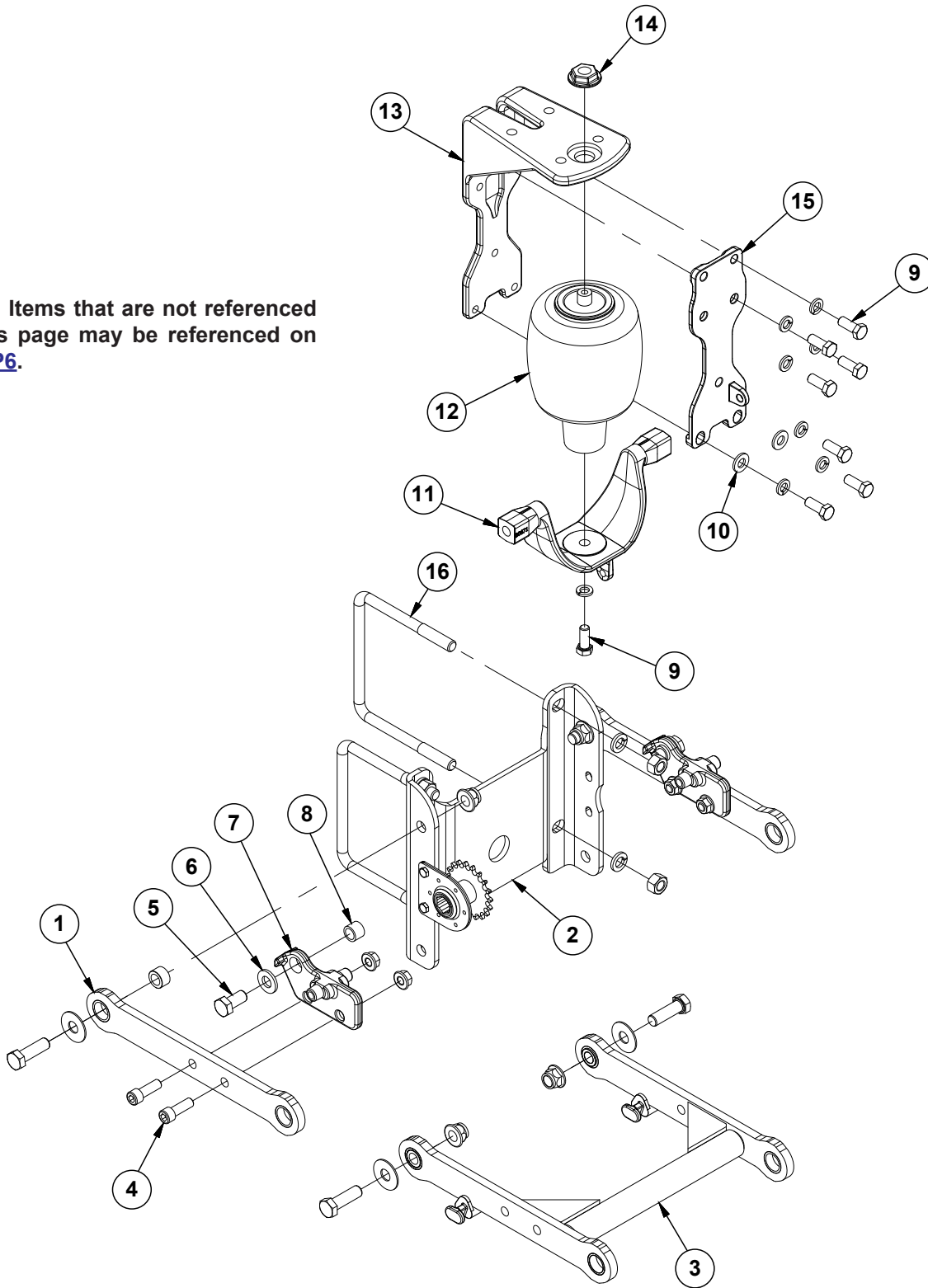
(IP1577)



ITEM	PART NO.	QTY. (Per Row)	DESCRIPTION
1	GA10157	1	Shank W/Gauge Wheel Pivot Spindle and Set Screw
2	G10038601	1	Scraper
3	G10500901	2	Hex Socket Head Cap Screw, 5/16"-18 x 1"
4	GB0267	1	Lever, Depth Adjustment
5	GB0266	1	Handle, Depth Adjustment
6	GD3612	1	Cap Plug
7	GD10993	1	Spring
8	G11591	1	Nylon Lock Nut, 3/8"-24, Grade C
9	GD11259	1	Sleeve, 3/8" I.D. x 5/8" O.D. x 1 <sup>25</sup> / <sub>32</sub> " Long
10	G11592	1	Hex Head Cap Screw, 3/8"-24 x 2 <sup>3</sup> / <sub>4</sub> ", Grade 8
11	GB0274	1	Cover, Depth Adjustment
12	G10551	1	Clevis Pin, 1/4" x 2 1/2"
13	G10207	1	Washer, 7/8" O.D. x 1 <sup>3</sup> / <sub>32</sub> " I.D. x .134" (If Applicable)
14	G11015	2	Hex Washer Head Cap Screw, 3/8"-16 x 1 <sup>1</sup> / <sub>4</sub> "
15	GD16245	1	Sun Shade (Rubber)
16	G10122301	1	Bow Tie Cotter Pin
17	GB0265	1	Pivot Link, Depth Adjustment
18	GD24545	2	Row Unit Stop
19	GD28390	1	Shield
20	G11387	2	Flat Washer, 3/8" SAE
21	G10061	1	Hex Head Cap Screw, 3/8"-16 x 3 1/2"
22	G10108	4	Lock Nut, 3/8"-16
23	G10312	2	Carriage Bolt, 5/16"-18 x 3/4"
24	G10620	2	Serrated Flange Nut, 5/16"-18
25	G10003	3	Hex Head Cap Screw, 3/8"-16 x 1 1/2"
26	GA21515	1	Seed Tube Assembly
27	G3303-108	1	Chain, No. 41, 108 Pitch Including Connector Link (Vacuum)
	G3303-16	-	Chain, No. 41, 16 Pitch Including Connector Link (Used W/Row Unit Extension Brackets)
	GR0196	-	Connector Link, No. 41
28	GD29798	1	Chain Guard
29	G10071	1	Serrated Flange Nut, 1/2"-13
30	G10014	1	Hex Head Cap Screw, 1/2"-13 x 1"
31	G10475701	-	Professional Microfiber Duster, 19" (for cleaning Seed Tube sensors)
32	GD11001	1	Spindle
	G10438	1	Hex Head Cap Screw, 1/2"-13 x 3/4"

(IP1640)

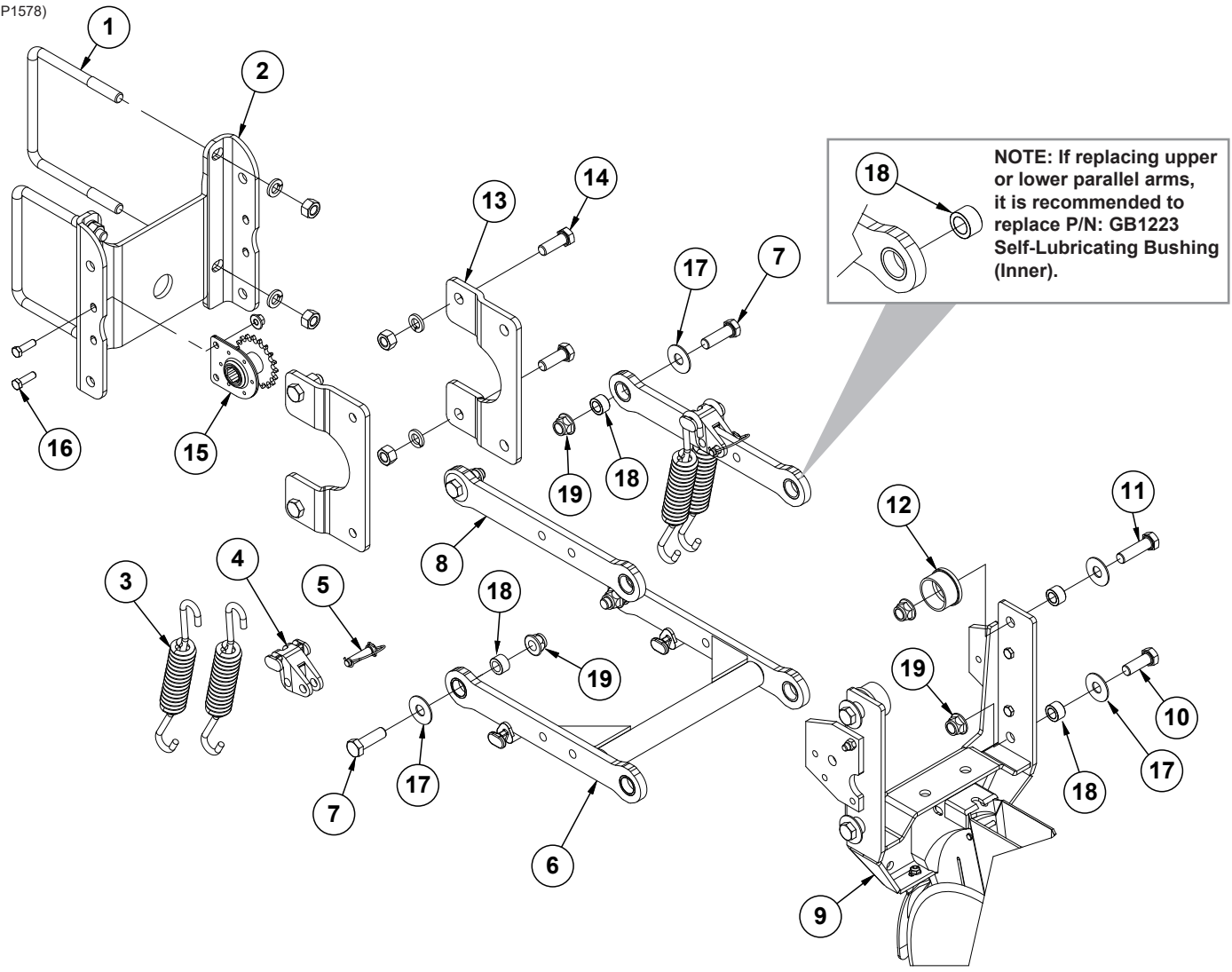
**NOTE:** Items that are not referenced on this page may be referenced on [page P6](#).



ITEM	PART NO.	QTY. (Per Row)	DESCRIPTION
1	---	2	<a href="#">See "Parallel Arms, Mounting Support Plate, and Quick Adjustable Down Force Springs Option" on page P6</a>
2	GD10036	1	Mounting Support Plate
3	---	1	<a href="#">See "Parallel Arms, Mounting Support Plate, and Quick Adjustable Down Force Springs Option" on page P6</a>
4	G11220	4	Hex Socket Cap Screw, 1/2"-13 x 1 1/2"
	G10071	4	Serrated Flange Nut, 1/2"-13
5	G11018	2	Hex Head Cap Screw, 5/8"-18 x 1 1/4"
6	G11391	2	Flat Washer, 5/8" SAE
7	GB0395	2	Bracket
8	GD3180-30	2	Sleeve, 7/8" O.D. x 5/8" I.D. x 2 1/32"
9	G10037	8	Hex Head Cap Screw, 1/2"-13 x 1 1/4"
	G10228	8	Lock Washer, 1/2"
10	G11389	2	Flat Washer, 1/2" SAE
11	GD23995	1	Saddle
12	GA11982	1	Air Spring Assembly
13	GB0396	1	Head Mount
14	GB0397	1	Shoulder Nut, 3/4"-16
15	GB0393	1	Plate
16	---	---	<a href="#">See "Parallel Arms, Mounting Support Plate, and Quick Adjustable Down Force Springs Option" on page P6</a>



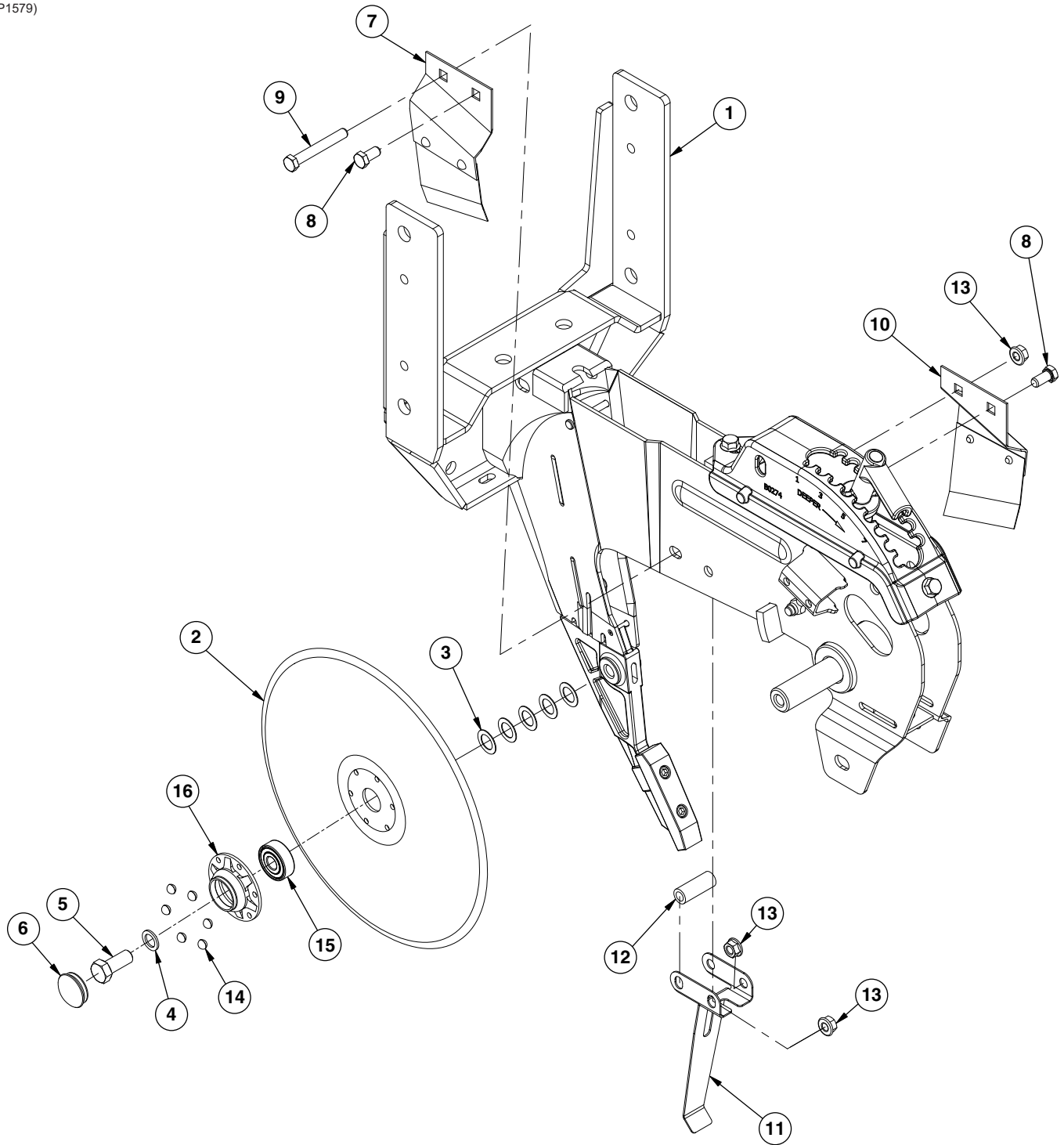
(IP1578)



**NOTE:** If replacing upper or lower parallel arms, it is recommended to replace P/N: GB1223 Self-Lubricating Bushing (Inner).

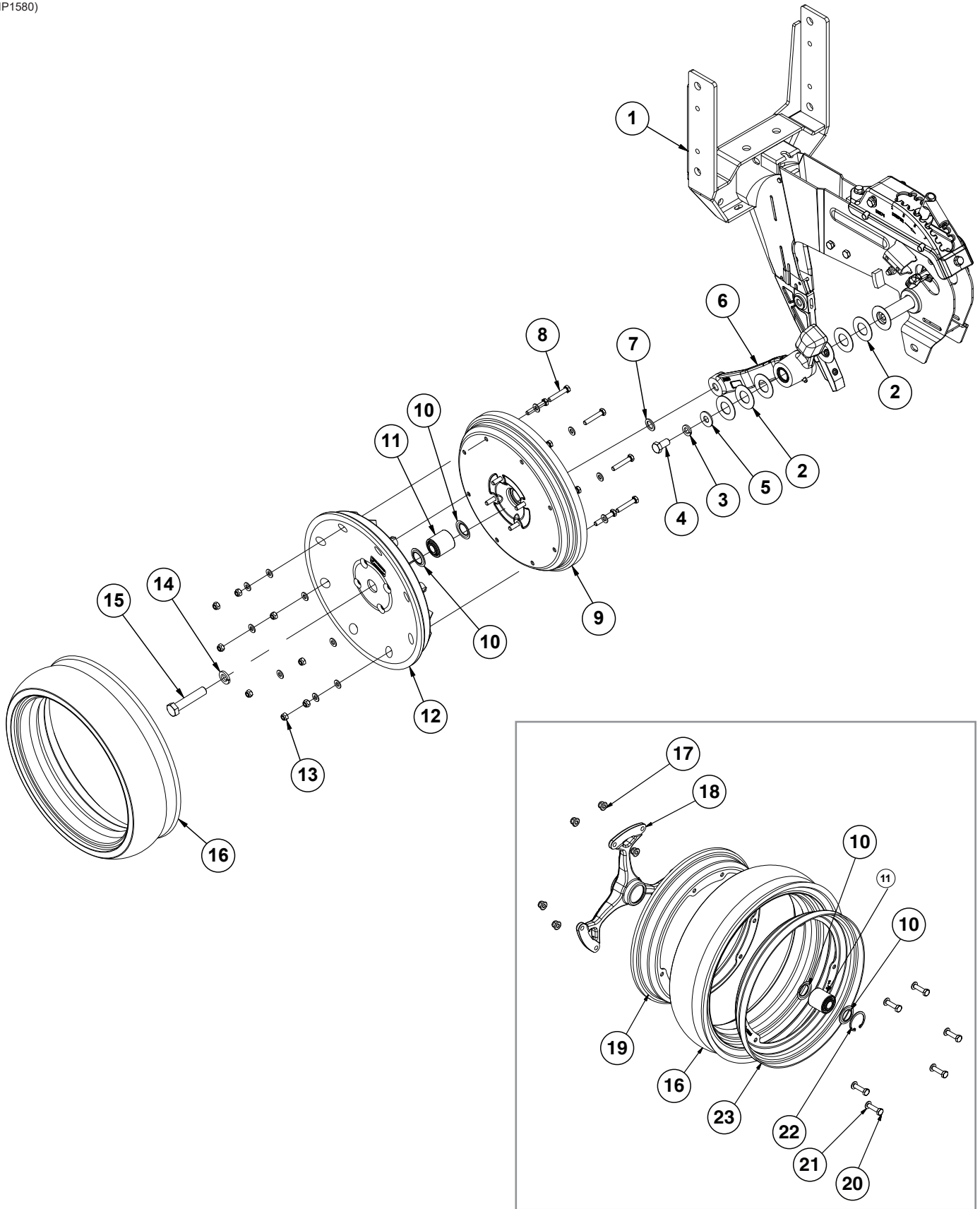
ITEM	PART NO.	QTY. (Per Row)	DESCRIPTION
1	GD1113	2	U-Bolt, 5" x 7" x 5/8"-11
	G10230	4	Lock Washer, 5/8"
	G10104	4	Hex Nut, 5/8"-11
2	GD10036	1	Mounting Support Plate
3	GD21337	4	Heavy Duty Down Pressure Spring
4	GB0186	2	Spring Anchor
5	GD14217	2	Tab Lock Pin, 7/16" x 1 1/2"
6	G10011201	1	Lower Parallel Arm Assembly
	GB1224		Self-Lubricating Bushing, 1 1/4" O.D. x 1" I.D. x 1/2" (Included in G10011201)
7	G10732	4	Hex Head Cap Screw, 5/8"-18 x 2"
8	G10011101	2	Upper Parallel Arm Assembly
	GB1224	2	Self-Lubricating Bushing, 1 1/4" O.D. x 1" I.D. x 1/2" (Included in G10011101)
9	---	1	<a href="#">See "Shank Assembly, Seed Tube, and Depth Adjustment" on page P2</a>
10	G10751	2	Hex Head Cap Screw, 5/8"-18 x 1 3/4"
11	G10752	2	Hex Head Cap Screw, 5/8"-18 x 2 1/4"
12	GB0314	2	Hopper Mount
13	GB0366	2	Extension Bracket
14	G10005	4	Hex Head Cap Screw, 5/8"-11 x 1 3/4"
	G10230	4	Lock Washer, 5/8"
	G10104	4	Hex Nut, 5/8"-11
15	GA1720	1	Bearing/Sprocket, 7/8" Hex Bore
16	G10004	2	Hex Head Cap Screw, 3/8"-16 x 1 1/4"
	G11091	2	Serrated Flange Nut, 3/8"-16
17	G11976	8	Flat Washer, 5/8" x 1 3/4"
18	GB1223	8	Self-Lubricating Bushing
19	G11514	8	Lock Nut, 5/8"-18
A	G6325X	-	U-Bolt Package For 5" x 7" Toolbar, Includes: (2) GD1113, (4) G10230, (4) G10104
B	G1K758	-	Pull Row Unit Parallel Arm Kit, Includes: (2) G10011101, (1) G10011201, (8) GB1223, (8) G11976, (4) G10732, (2) G10751, (2) G10752, (8) G11514, (1) IS1066

(IP1579)



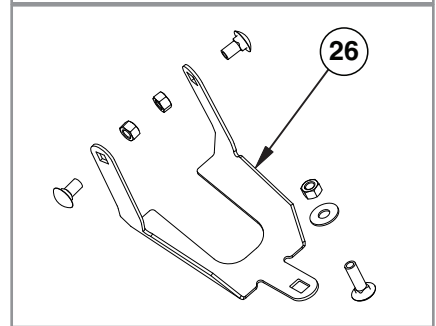
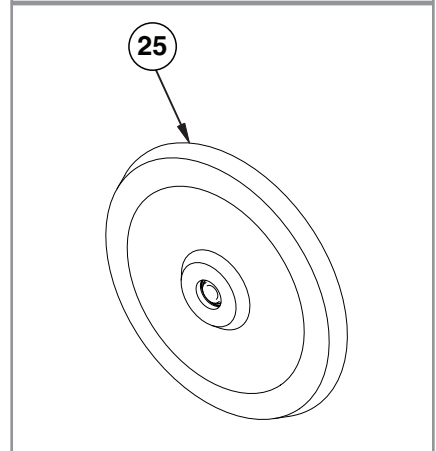
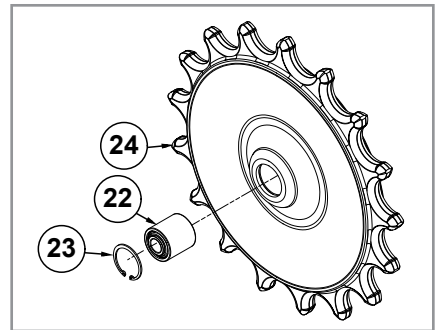
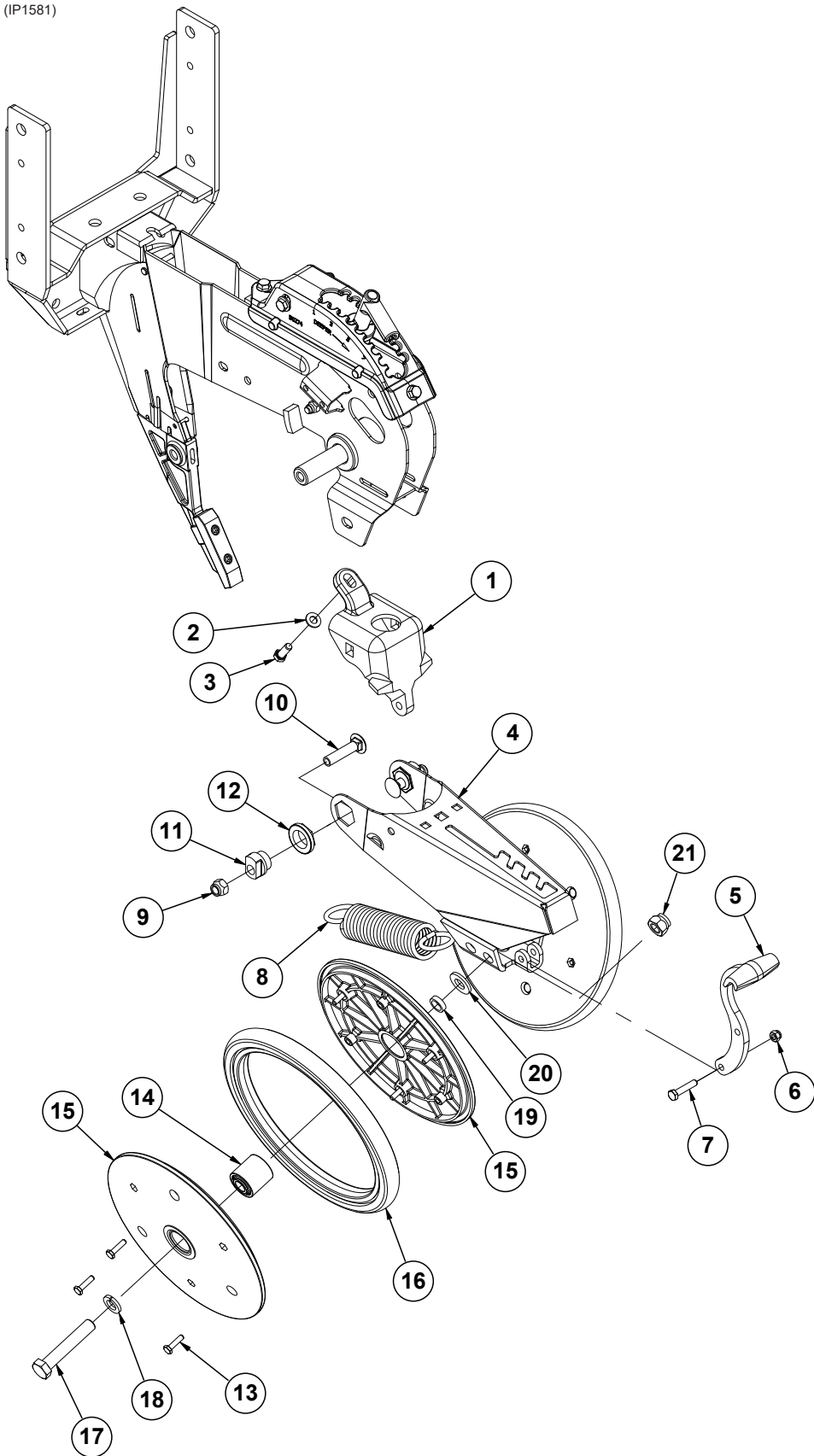
ITEM	PART NO.	QTY. (Per Row)	DESCRIPTION
1	G10037301	1	<a href="#">See "15" Seed Opener Disc Blade/Bearing Assembly and Scrapers" on page P8</a>
2	GD11306	1	Disc Blade, 3.5 mm x 15"
3	GD30725	10	Machine Bushing, 5/8" (.030" Thick) (5 Per)
4	G10204	2	Special Machine Bushing, 5/8" x 1" O.D.
5	GD36856	1	Opener Blade Bolt, 5/8"-11 x 1 3/4", Grade 5
	G10005	1	Hex Head Cap Screw, 5/8"-11 x 1 3/4"
6	G10090401	2	Plastic Ribbed Hub Cap (1 Per)
7	GA2012L	1	Disc Scraper, L.H.
8	G10002	2	Hex Head Cap Screw, 3/8"-16 x 3/4"
9	G10325	1	Hex Head Cap Screw, 3/8"-16 x 2 3/4"
10	GA2012R	1	Disc Scraper, R.H.
11	GD35444	1	Seed Tube Bracket
12	GD2971-26	1	Sleeve, 3/8" I.D x 5/8" O.D. x 1.63" Long
13	G10622	3	Serrated Flange Nut, 3/8"-16
14	GD36990	6	Rivet, 1/4" x 9/16"
15	GA26920	1	Bearing
16	GD36860		Bearing Housing
A	G10018801	-	Disc Blade/Bearing Assembly, Less Dust Cap (Items 2, 14-16)

(IP1580)



ITEM	PART NO.	QTY. (Per Row)	DESCRIPTION
1	---	-	<a href="#">See "15" Seed Opener Disc Blade/Bearing Assembly and Scrapers" on page P8</a>
2	G10940	7	Machine Bushing, 1" (.048" Thick)
3	G10228	2	Lock Washer, 1/2"
4	G10014	2	Hex Head Cap Screw, 1/2"-13 x 1"
5	G10216	2	Washer, 1/2" USS
6	GA21677	1	Wheel Arm W/Grease Fitting, Bushings, and Seals, L.H. (Shown)
	GA21676	-	Wheel Arm W/Grease Fitting, Bushings, and Seals, R.H.
	GD10991	2	Seal (Per Arm) (Included W/GA21677 and GA21676)
	GB0276	2	Bushing, 1" I.D. x 1 1/4" O.D. x 1" Long (Per Arm) (Included W/GA21677 and GA21676)
7	G10204	1	Special Machine Bushing, 5/8" x 1" O.D.
8	G10031	8	Carriage Bolt, 5/16"-18 x 1 3/4"
	G11386	8	Flat Washer, 5/16" SAE
9	G10028701	1	Half Gauge Wheel
	G10019	4	Hex Head Cap Screw, 5/16"-18 x 1"
	G11386	4	Flat Washer, 5/16" SAE
10	GD36713	2	Gauge Wheel Dust Shield
11	GA6171	1	Bearing
12	GD36709	1	Half Gauge Wheel
13	G10109	12	Lock Nut, 5/16"-18
	G11386	12	Flat Washer, 5/16" SAE
14	G10230	1	Lock Washer, 5/8"
15	G10010	1	Hex Head Cap Screw, 5/8"-11 x 3"
16	G10028601	1	Tire, 4 1/2" x 16
17	G10335001	6	Flanged Lock Nut, M8
18	G10334701	1	Hub
19	G10334901	1	Wheel Flange
20	G10335101	6	Screw, M8 x 30
21	G11386	6	Flat Washer, 5/16"
22	G10335201	1	Elastic Ring
23	G10334801	1	Wheel Flange
A	G10028801	-	Standard Gauge Wheel Complete (Items 8-13 and 16)
B	G10322501	-	Spoked Gauge Wheel Complete (Items 10-11 and 16-23)
C	G1K296	-	Gauge Wheel Arm Bushing and Seal Driver Kit, Includes: (1) Seal Driver, (1) Bushing Driver, (1) Instruction Sheet

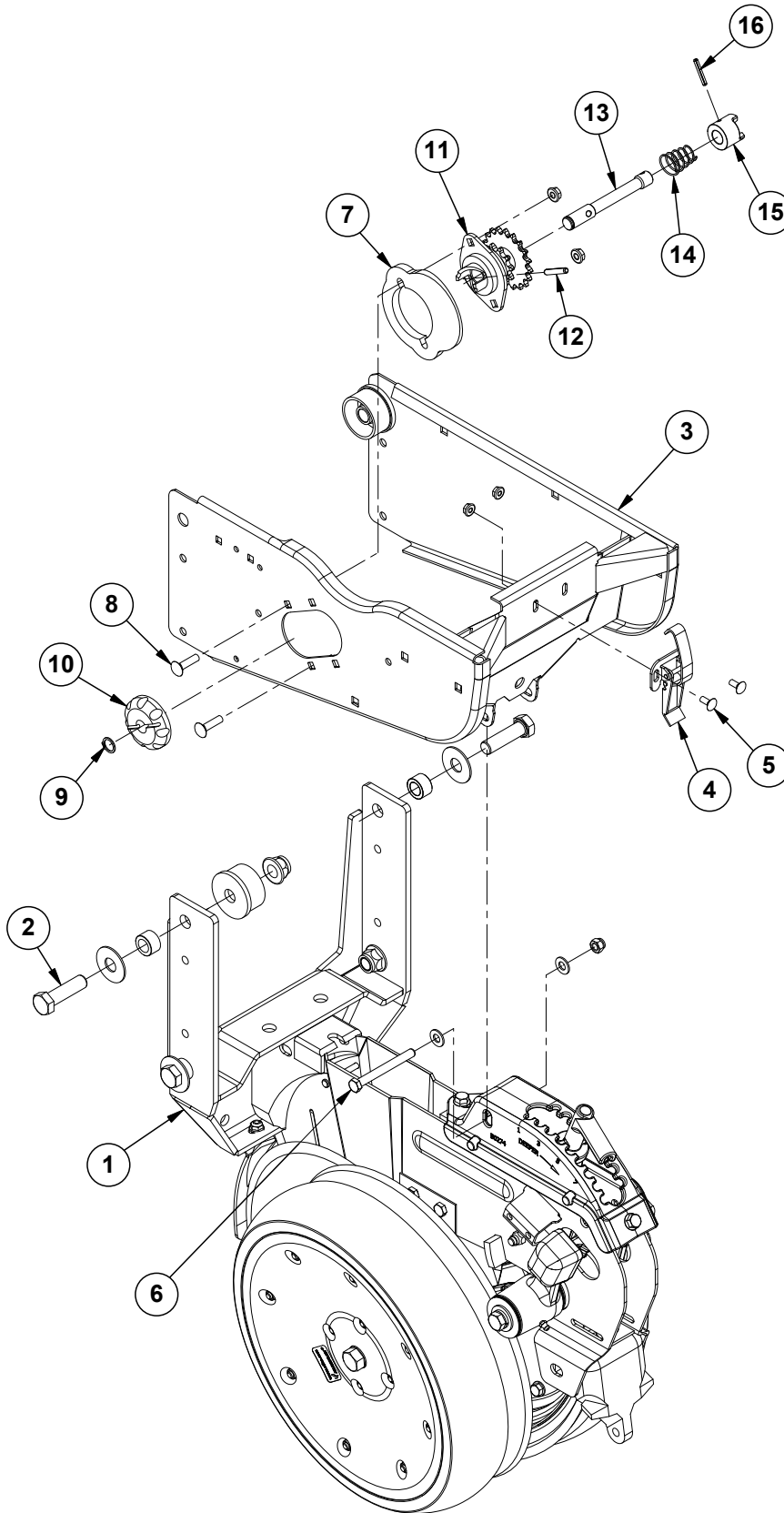
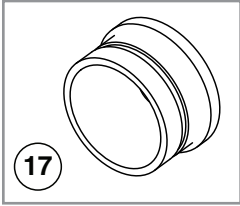
(IP1581)



ITEM	PART NO.	QTY. (Per Row)	DESCRIPTION
1	GB0268	1	Wheel Arm Mount
2	G11387	1	Flat Washer, 3/8" SAE
3	G10001	1	Hex Head Cap Screw, 3/8"-16 x 1"
4	GA15197	1	Closing Wheel Arm
5	GB0254	1	Lever
6	G10109	1	Lock Nut, 5/16"-18, Grade 8
7	G10133	1	Hex Head Cap Screw, 5/16"-18 x 1 1/2"
8	GD8460	1	Spring
9	G10111	2	Lock Nut, 1/2"-13
10	G11419	2	Carriage Bolt, 1/2"-13 x 2 1/4"
11	GB0239	2	Eccentric Bushing
12	GB0282	2	Stepped Bushing
13	G10064	6	Hex Head Cap Screw, 1/4"-20 x 1"
14	GA6171	1	Bearing
15	GD9120	2	Nylon Half Wheel
16	GD1085	1	Rubber Tire, 1" x 12"
17	G10013	2	Hex Head Cap Screw, 5/8"-11 x 3 1/2"
18	G10230	2	Lock Washer, 5/8"
19	GD1109	2	Bushing, 4 1/4" I.D. x 7/8" O.D. x 1/4" Long
20	G11391	2	Flat Washer, 5/8" SAE
21	G10107	2	Lock Nut, 5/8"-11
22	GA6171	1	Bearing
23	G11862	1	Internal Retaining Ring
24	GD36895	1	Spiked Closing Wheel
25	GA6597	1	Cast Iron Closing Wheel W/Bearing
	GA6171	1	Bearing
26	G1K345	-	Closing Wheel Shield Kit W/Hardware and Instruction Sheet
	GD26146	1	Closing Wheel Shield (Included W/G1K345)
	G10599	1	Carriage Bolt, 3/8"-16 x 1 1/4" (Included W/G1K345)
	G10308	2	Carriage Bolt, 3/8"-16 x 3/4" (Included W/G1K345)
	G10101	3	Hex Nut, 3/8"-16 (Included W/G1K345)
	G10229	3	Lock Washer, 3/8" (Included W/G1K345)
	G11387	1	Hardened Washer, 3/8" SAE (Included W/G1K345)
A	GA6434	-	Rubber Closing Wheel Complete W/Bearing (Items 13-16)
B	GA26958	-	Spiked Closing Wheel (Items 22-24)

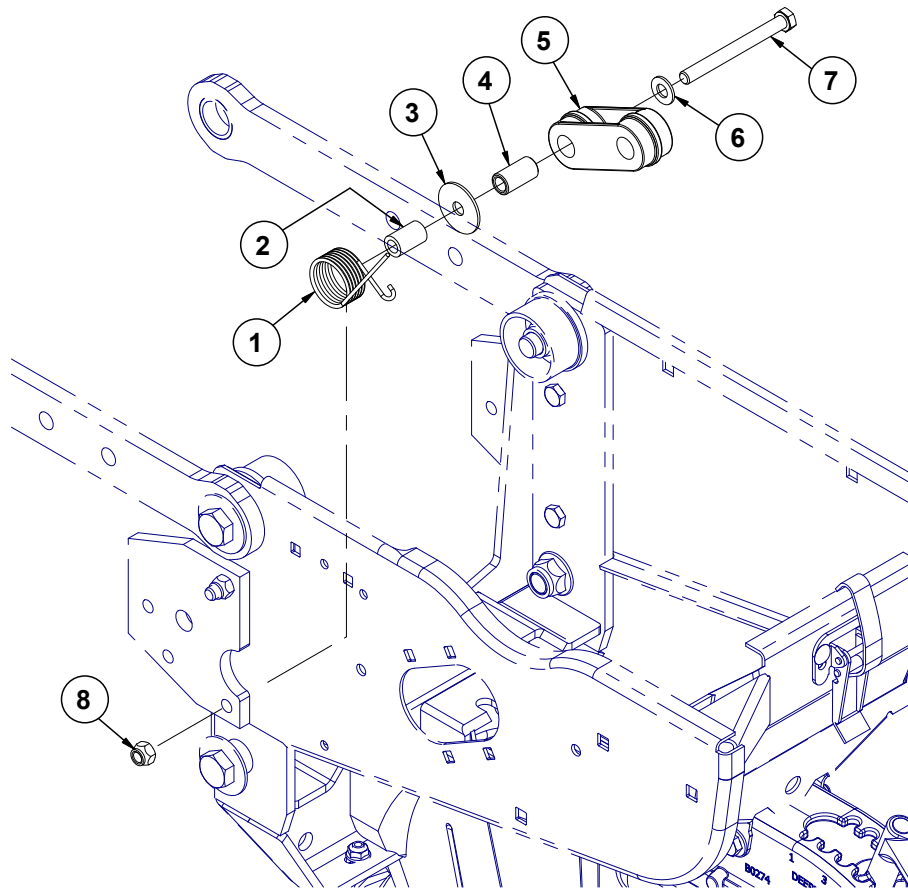


(IP1582)



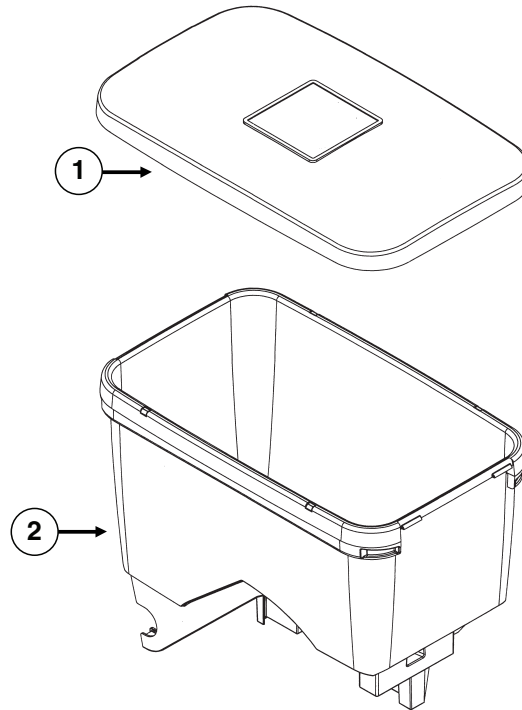
ITEM	PART NO.	QTY. (Per Row)	DESCRIPTION
1	---	1	<a href="#">See "15" Seed Opener Disc Blade/Bearing Assembly and Scrapers" on page P8</a>
2	G10752	2	Hex Head Cap Screw, 5/8"-18 x 2 1/4"
3	GA26296	1	Hopper Support
4	GA2007	1	Hopper Hold Down Latch
5	G10309	2	Carriage Bolt, 1/4"-20 x 5/8", Grade 2
	G10621	2	Serrated Flange Nut, 1/4"-20
6	G10061	1	Hex Head Cap Screw, 3/8"-16 x 3 1/2"
	G11387	2	Flat Washer, 3/8" SAE
	G10108	1	Lock Nut, 3/8"-16
7	GB0331	1	Clutch Adapter Plate
8	G10338	2	Carriage Bolt, 5/16"-18 x 1 1/4"
	G10620	2	Serrated Flange Nut, 5/16"-18
9	G10567	1	External Retaining Ring, 5/8"
10	GD11239	1	Knob
11	GA12143	1	Double Sprocket and Bearing, Drive Clutch, 11/28 Tooth (Vacuum)
12	G10602	1	Spring Pin, 1/4" x 1 1/2"
13	GD29507	1	Clutch Shaft
14	GD11413	1	Spring
15	GB0278	1	Coupler
16	G10546	1	Spring Pin, 3/16" x 1 1/4"
17	GD17052	-	Vacuum Plug
A	GA20640	-	Seed Meter Clutch Assembly, 11/28 Tooth (Items 9-16) (Vacuum)

(IP1583)



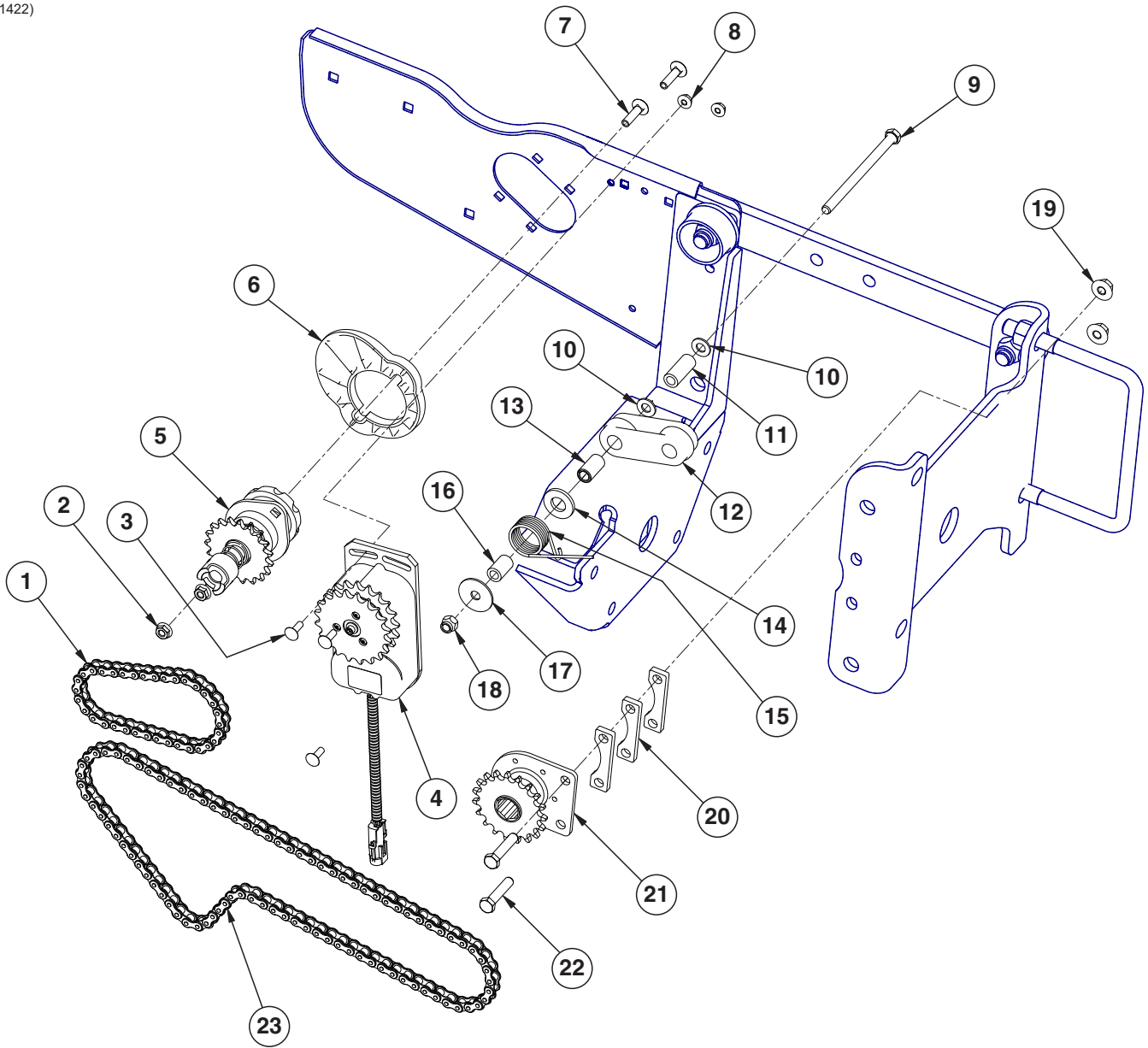
ITEM	PART NO.	QTY. (Per Row)	DESCRIPTION
1	GD1065	1	Idler Spring
2	GD7318	1	Sleeve, 1" Long
3	G10201	1	Special Washer, 3/8" x 1 1/2" O.D.
4	GD1026	1	Sleeve, 1 3/16" Long
5	GD11962	1	Idler
6	G11387	1	Flat Washer, 3/8" SAE
7	G10326	1	Hex Head Cap Screw, 3/8"-16 x 3 3/4"
8	G10108	1	Lock Nut, 3/8"-16

(METR12/RU87e)



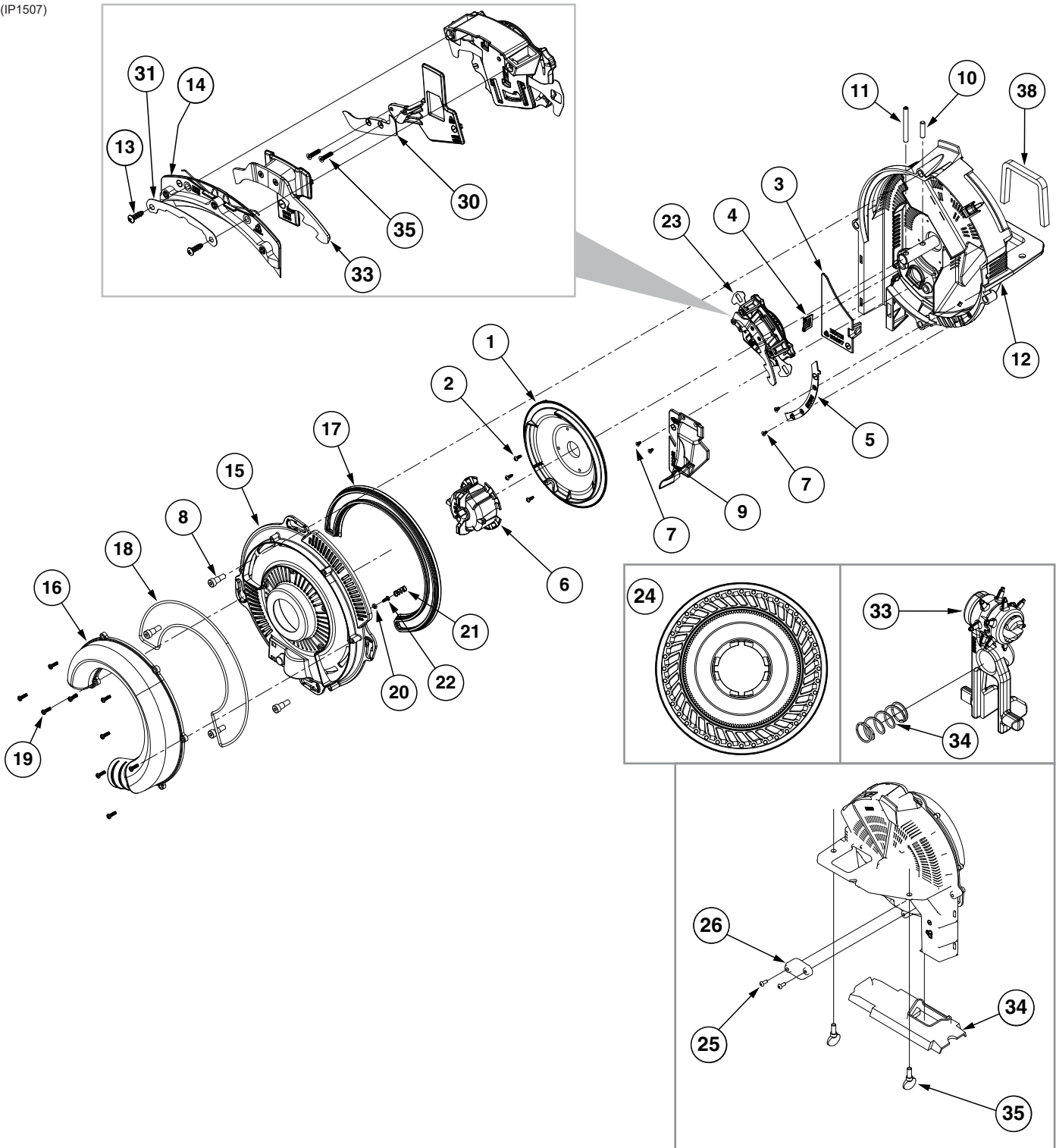
ITEM	PART NO.	QTY.	DESCRIPTION
1	GD11279	1	Lid
2	GA24873	1	Seed Hopper (Vacuum)
	GD12561	-	Threaded Insert, $\frac{5}{16}$ "-18 (Included W/GA20254)

(IP1422)



ITEM	PART NO.	QTY. (Per Row)	DESCRIPTION
1	G3303-44	1	Chain, No. 41, 44 Pitch Including Connector Link (Vacuum)
2	G10620	2	Serrated Flange Nut, 5/16"-18
3	G10310	3	Carriage Bolt, 1/4"-20 x 3/4", Grade 2
4	GA16374	1	Electric Clutch
5	GA10151	1	Seed Meter Clutch Assembly, 11/19 Tooth
6	GB0331	1	Clutch Adapter Plate
7	G10338	2	Carriage Bolt, 5/16"-18 x 1 1/4"
8	G10621	3	Serrated Flange Nut, 1/4"-20
9	G10687	1	Hex Head Cap Screw, 3/8"-16 x 5 1/2"
10	G11387	2	Flat Washer, 3/8" SAE
11	GD23773	1	Chain Idler Spacer
12	GD11962	1	Idler
13	GD1026	1	Sleeve, 1 3/16" Long
14	G11391	1	Flat Washer, 5/8" SAE
15	GD1065	1	Idler Spring
16	GD7318	1	Sleeve, 1" Long
17	G10201	1	Special Washer, 3/8" x 1 1/2" O.D.
18	G10901	1	Lock Nut, 3/8"-16
19	G11091	3	Serrated Flange Nut, 3/8"-16
20	GD23774	3	Spacer
21	GA1720	1	Bearing/Sprocket, 7/8" Hex Bore
22	G10047	2	Hex Head Cap Screw, 3/8"-16 x 1 3/4"
23	G3303-88	1	Chain, No. 41, 88 Pitch Including Connector Link (Pull Row Unit)

(IP1507)

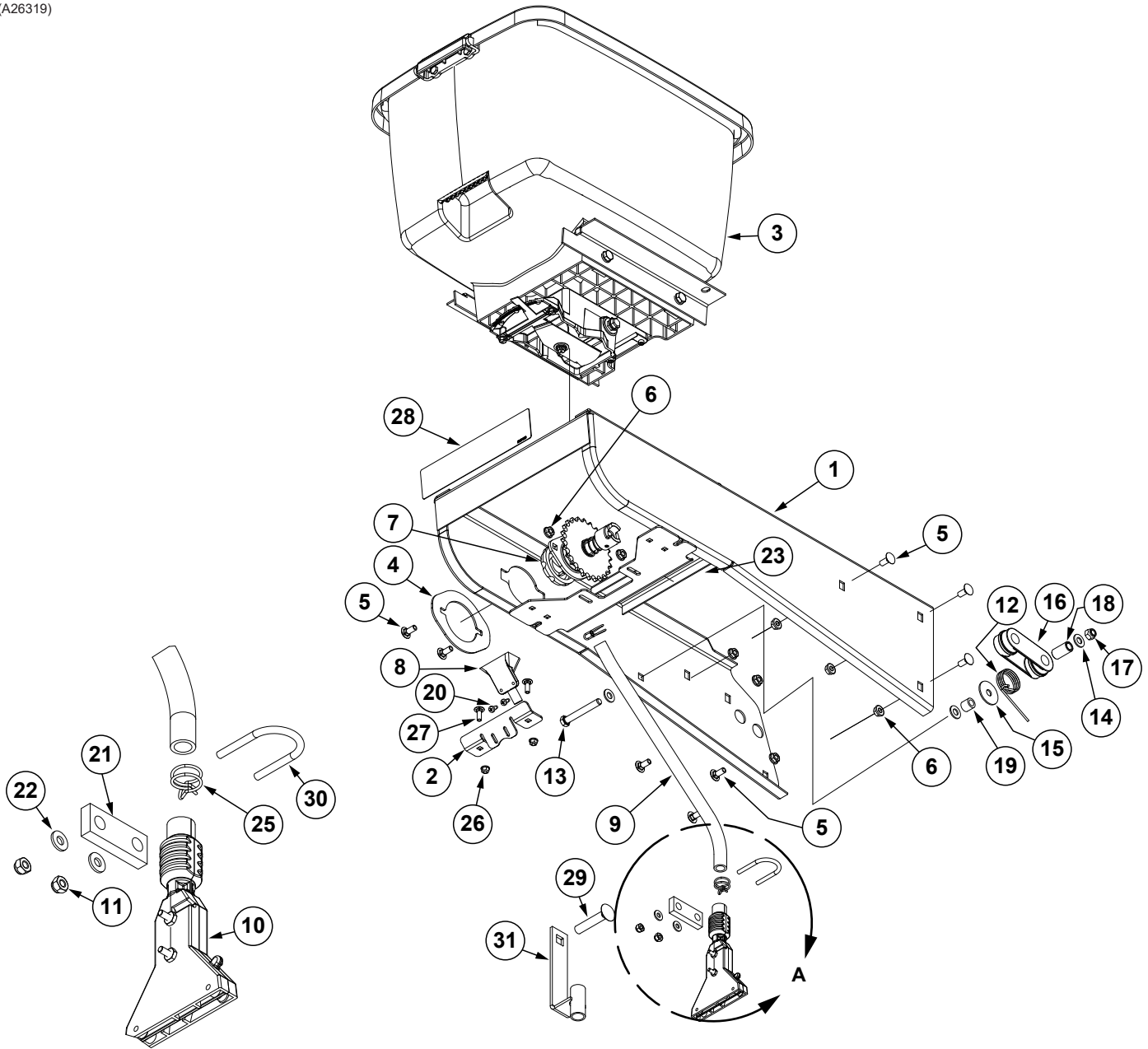


ITEM	PART NO.	QTY.	DESCRIPTION
1	GB0815	1	Shield
2	G11619	3	Phillips Pan Head Tapping Screw, No. 6-19 x 3/8"
3	GB0697	1	Chute Cover
4	GB0780	1	Brush
5	GB0823	1	Baffle
6	GB1147	1	Disc Hub

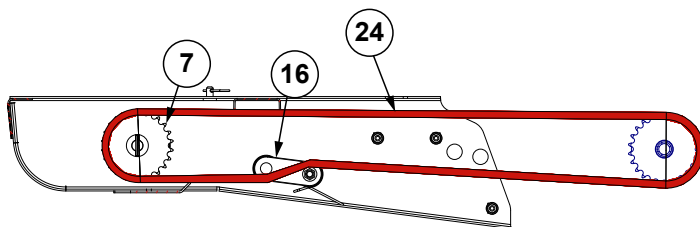
ITEM	PART NO.	QTY.	DESCRIPTION
7	G11618	4	Torx Flat Head Tapping Screw, No. 6-19 x ¼"
8	G11172	4	Hex Socket Head Shoulder Screw, ¼"-20 x ⅜", Stainless Steel
9	GA24878	1	Brush Assembly
10	G11448	1	Pin, ¼" x 1"
11	G10475	1	Spring Pin, ¼" x 2¼"
12	GA24877	1	Meter Housing W/Bearing
13	G11578	2	Phillips Pan Head Tapping Screw, No. 8-18 x ½"
14	GA24676	1	Singulator Guide Assembly
15	GB0920	1	Cover
16	GB0818	1	Vacuum Port, Pull Row Unit
17	GB0676	1	Lip Seal
18	GD26593	1	Gasket Housing
19	G11556	9	Phillips Pan Head Tapping Screw, 6-19 x ½"
20	GB0907	1	Retainer Spring
21	G10483101	1	Compression Spring
22	G11619	1	Phillips Pan Head Tapping Screw, No. 6-19 x ⅝"
23	GA24752	1	Singulator Assembly (Includes Items 13 and 14)
24	G11152X	-	Seed Disc, Corn, 40 Cell, Light Blue Color-Coded, Ejector Wheel, and Spring
	G11046X	-	Seed Disc, 83 Cell, Ejector Wheel, and Spring
	G11042X	-	Seed Disc, Wheat, 54 Cell, Ejector Wheel, and Spring
	G11047X	-	Seed Disc, Soybean, 120 Cell, Black Color-Coded, Ejector Wheel, and Spring
	G11048X	-	Seed Disc, Soybean, 60 Cell, Black Color-Coded, Ejector Wheel, and Spring
	G11154X	-	Seed Disc, Sugar Beets/Milo, Dark Orange Color-Coded, Ejector Wheel, and Spring
	G11153X	-	Seed Disc, Sunflower, 40 Cell, Gray Color-Coded, Ejector Wheel, and Spring
	G11039X	-	Seed Disc, Cotton, 60 Cell, Green Color-Coded, Ejector Wheel, and Spring
	G11040X	-	Seed Disc, Black Turtle and Navy Edible Bean and Popcorn, 60 Cell, Brown Color-Coded, Ejector Wheel, and Spring
	G11041X	-	Seed Disc, Pinto and Great Northern Edible Beans and Low-Rate Soybean, 60 Cell, Dark Blue Color Coded, Ejector Wheel, and Spring
	GB1237	-	Anti-Static Blank Seed Disc
	GB1231	-	Blank Seed Disc
25	G11281	2	Hex Button Head Cap Screw, 10-24 x ½"
26	GD28631	1	Cover Plate
34	G10665101	-	Ejector Arm, Corn
	G10483401	-	Ejector Arm, Soybean (120 Cell)
	G10483201	-	Ejector Arm, Soybean (60 Cell)
	G10665001	-	Ejector Arm, Sunflower
	G10664901	-	Ejector Arm, Beets/Milo
	G10484901	-	Ejector Arm, Black Turtle, Navy, Pinto, and Great Northern Edible Bean, Popcorn, and Low-Rate Soybean, Cotton
	GA25550	-	Ejector Arm, Rapeseed
	GA26989	-	Ejector Arm, Wheat
28	G10483101	1	Compression Spring
29	G11693	2	Torx Flat Head Machine Screw, No. 4-40 x ½"
30	GB0921	1	Lower Blade
31	GD29657	1	Retainer
32	GD34774	1	Meter Gasket
33	GB0958	1	Outer Blade
34	GB0926	1	Shank Cover
35	G11009	2	Locking Thumbscrew, ⅝"-18 x ¾"
A	GA20622	1	Cover Assembly (Items 15-22)
B	G9903X	1	Vacuum Meter Assembly, Pull Row Unit (Items 1-26, 32, 34, and 35)



(A26319)



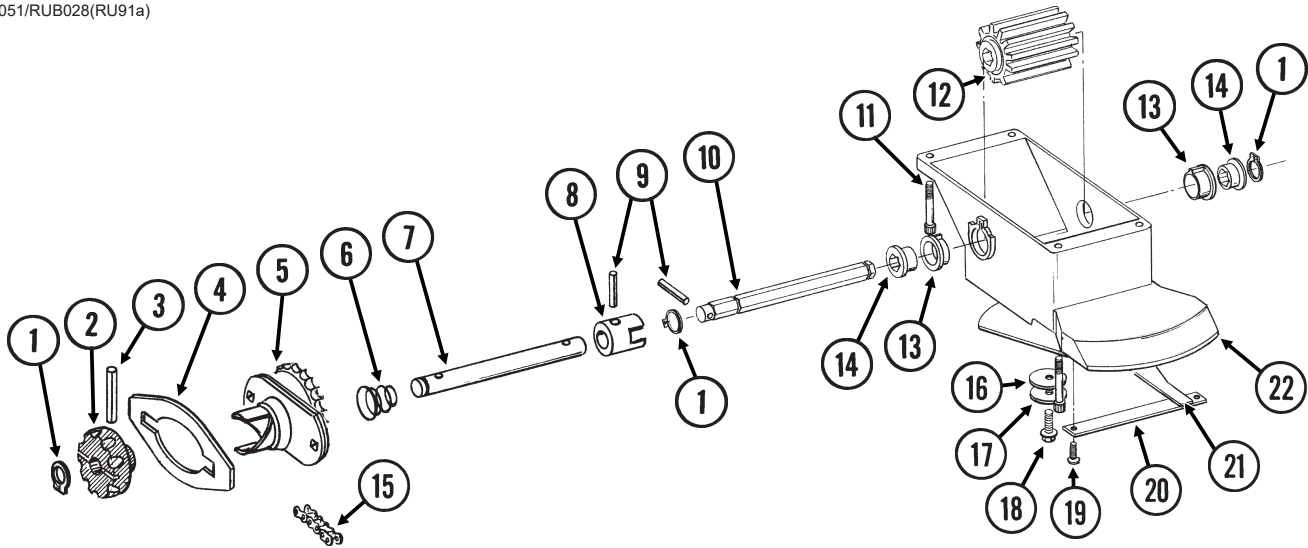
Detail A



Chain Routing

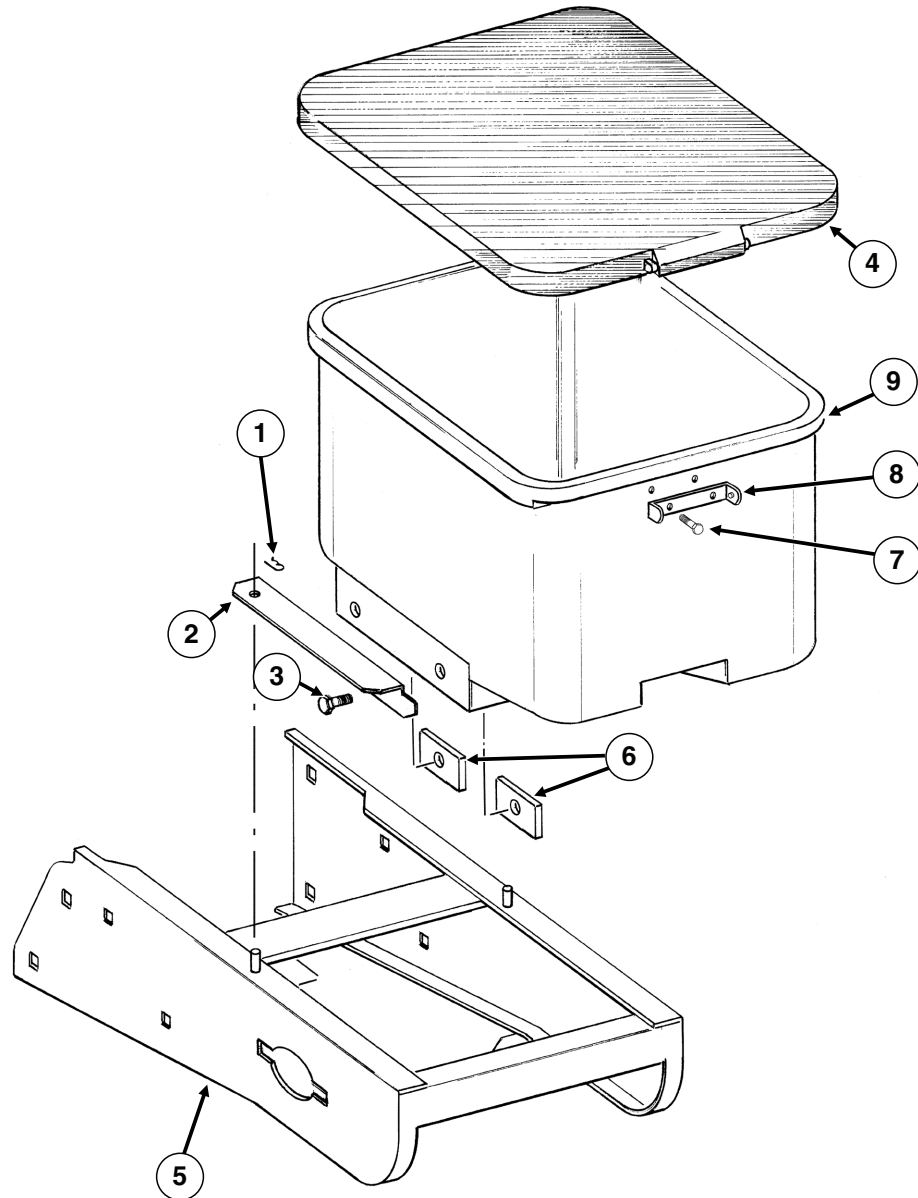
ITEM	PART NO.	QTY. (Per Row)	DESCRIPTION
1	A26287	1	Hopper Panel Extension <b>(Non-Stock Item)</b>
2	GD36277	1	Funnel Bracket
3	---	-	<a href="#">See "Granular Chemical Hopper and Hopper Panel Extension" on page P24</a>
4	GD11305	1	Plate
5	G10312	8	Carriage Bolt, $\frac{5}{16}$ "-18 x $\frac{3}{4}$ "
6	G10620	8	Serrated Flange Nut, $\frac{5}{16}$ "-18
7	---	1	<a href="#">See "Granular Chemical Meter and Meter Drive" on page P25</a>
8	GD2423	1	Funnel
9	GD2947	1	Hose, $\frac{7}{16}$ " x 28"
10	GA6907	1	Slope-Compensating Bander W/Hardware (4 $\frac{1}{2}$ " Band Width)
	G10864	1	Uni-Clamp (Included W/GA6907)
	G10757	2	Pan Head Screw, No. 10-32 x 1 $\frac{1}{4}$ " (Included W/GA6907)
	G10758	2	Hex Nut, No. 10-32 (Included W/GA6907)
11	G10110	2	Lock Nut, $\frac{1}{4}$ "-20, Grade B
12	GD11219	1	Spring
13	G10325	1	Hex Head Cap Screw, $\frac{3}{8}$ "-16 x 2 $\frac{3}{4}$ "
14	G11387	3	Flat Washer, $\frac{3}{8}$ " SAE
15	G10201	1	Special Washer, $\frac{3}{8}$ " x 1 $\frac{1}{2}$ " O.D.
16	GD11962	1	Idler
17	G10108	1	Lock Nut, $\frac{3}{8}$ "-16
18	GD1026	1	Sleeve, 1 $\frac{3}{16}$ " Long
19	GD2971-10	1	Sleeve, $\frac{9}{16}$ " Long
20	G10966	2	Phillips Head Self-Tapping Screw, No. 10 x 1/2"
21	GD10984	1	Spacer
22	G11385	2	Flat Washer, $\frac{1}{4}$ " SAE
23	G10670	2	Hair Pin Clip, No. 3
24	G3303-108	1	Chain, No. 41, 108 Pitch Including Connector Link (Vacuum)
	GR0196	-	Connector Link, No. 41
25	G11209	2	Wire Hose Clamp, $\frac{3}{4}$ "
26	G10621	2	Serrated Flange Nut, $\frac{1}{4}$ "-20
27	G10310	2	Carriage Bolt, $\frac{1}{4}$ "-20 x $\frac{3}{4}$ ", Grade 2
28	---	-	<a href="#">See "Decals, Paint, and Miscellaneous" on page P140</a>
29	G10315	1	Carriage Bolt, $\frac{1}{2}$ "-13 x 2 $\frac{1}{2}$ " (Replaces Existing $\frac{1}{2}$ " x 2 $\frac{1}{4}$ " Hardware)
30	GD10963	1	U-Bolt, 1 $\frac{1}{2}$ " x 1 $\frac{5}{16}$ " x $\frac{1}{4}$ "-20
31	GA6741	1	Bracket (Straight Drop In-Furrow)

RUA051/RUB028(RU91a)



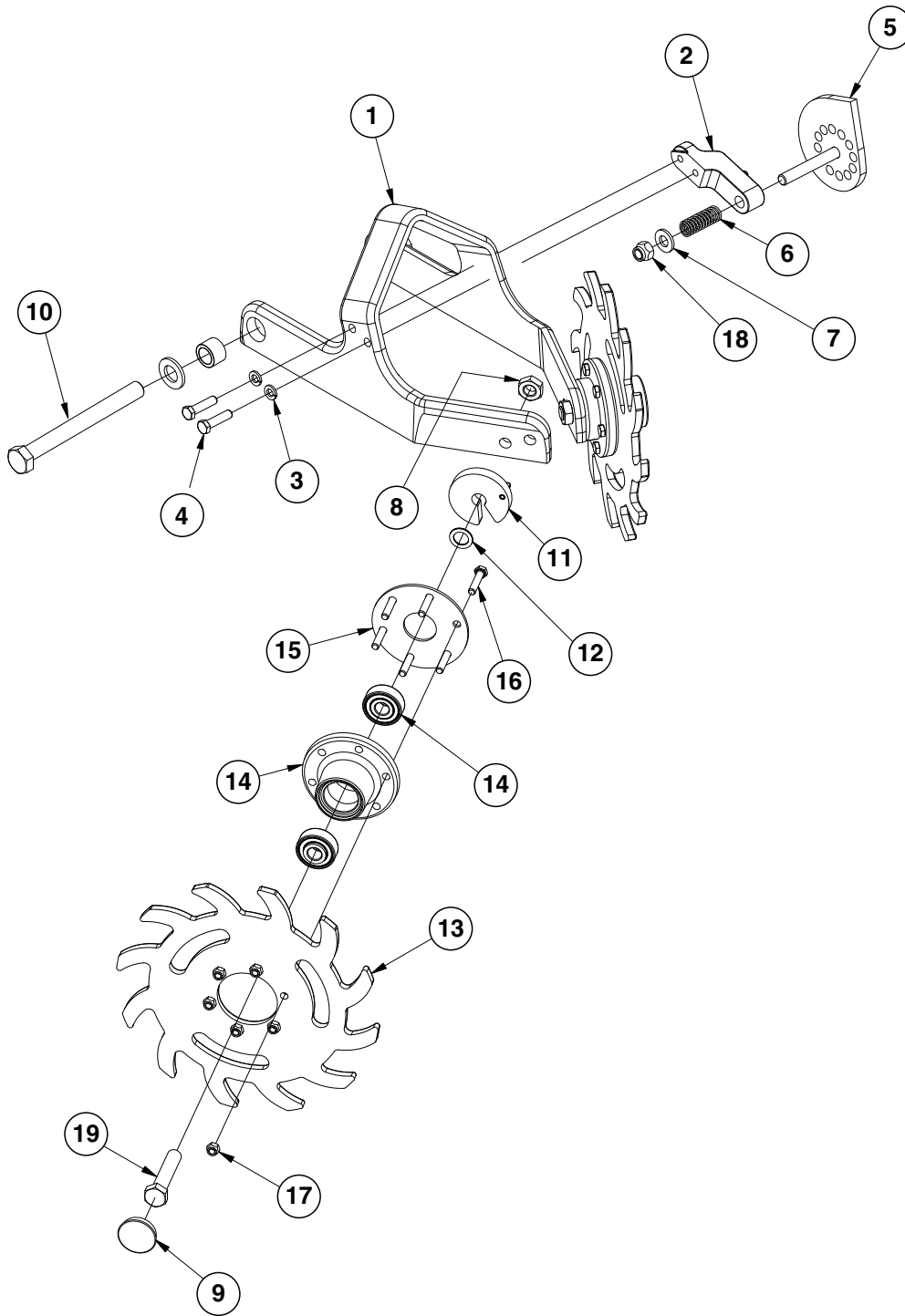
ITEM	PART NO.	QTY. (Per Row)	DESCRIPTION
1	G10567	3	External Retaining Ring, 5/8"
2	GD11239	1	Knob
3	G10602	1	Spring Pin, 1/4" x 1 1/2"
4	---	-	<a href="#">See "Granular Chemical Hopper and Hopper Panel Extension" on page P25</a>
5	GA8364	1	Sprocket And Bearing, Drive Clutch, 24 Tooth
6	GD11413	1	Spring
7	GD11240	1	Shaft
8	GB0278	1	Coupler
9	G10546	2	Spring Pin, 3/16" x 1 1/4"
10	GD11297	1	Shaft
11	G11793	4	Hex Socket Head Cap Screw, No. 10-24 x 7/8"
	G10257	4	Lock Washer, No. 10
12	GD7148	1	Feed Roller, Hex Bore
13	GB0115	2	Bearing
14	GD7258	2	Hex Bushing
15	G3303-114	1	Chain, No. 41, 108 Pitch Including Connector Link (Vacuum)
	GR0196	-	Connector Link, No. 41
16	G10660	1	Wave Washer, 1/2"
17	G11385	1	Flat Washer, 1/4" SAE
18	G10570	1	Slotted Hex Self-Tapping Screw, 1/4"-20 x 3/4"
19	G11073	2	Slotted Hex Self-Tapping Screw, No. 10 x 3/8"
20	GD1061	1	Support Strap
21	GD1063	1	Metering Gate
22	GB0116	1	Granular Housing
A	GA8326	-	Granular Chemical Meter Complete (Items 1, 9, 10, 12-14, and 16-22)
B	GA8366	-	Granular Chemical Meter Clutch (Items 1-3 and 5-9)

(METR14d)



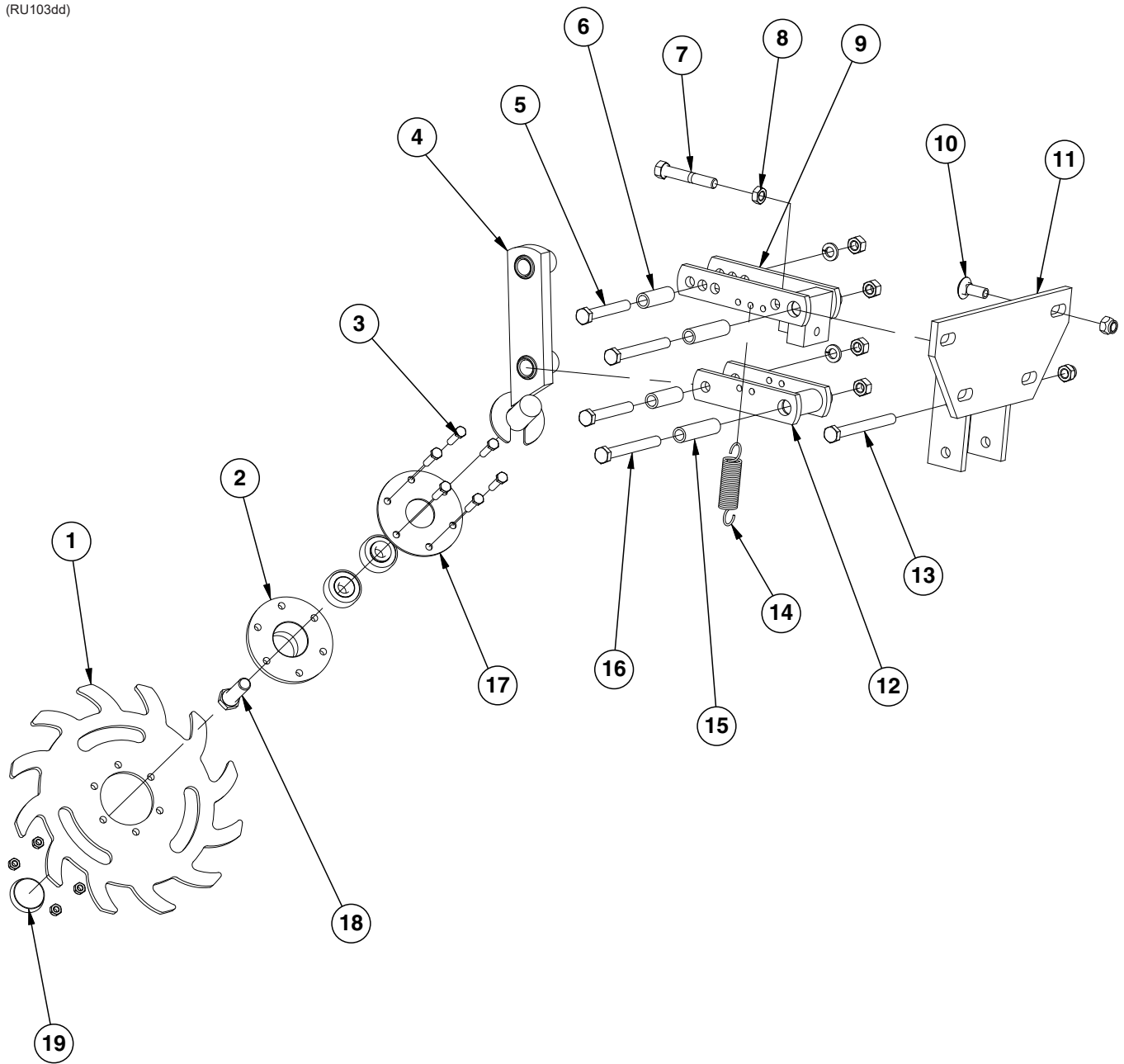
ITEM	PART NO.	QTY. (Per Row)	DESCRIPTION
1	G10670	2	Hair Pin Clip, No. 3
2	GD1059L GD1059R	1 1	Support, L.H. (Shown) Support, R.H.
3	G10002 G10229	4 4	Hex Head Cap Screw, 3/8"-16 x 3/4" Lock Washer, 3/8"
4	GA4444	1	Lid
5	GA26287	1	Hopper Panel Extension ( <b>Non-Stock Item</b> )
6	GD11424	4	Block
7	G10023 G10621	2 2	Hex Head Cap Screw, 1/4"-20 x 3/4" Serrated Flange Nut, 1/4"-20
8	GD1060	1	Hinge
9	GA8371	1	Hopper

(IP1468)



ITEM	PART NO.	QTY. (Per Row)	DESCRIPTION
1	GB0464	1	Residue Wheel Mount
2	GD26973	1	Cam Locking Pin
3	G10229	2	Lock Washer, 3/8"
4	G10004	2	Hex Head Cap Screw, 3/8"-16 x 1 1/4"
5	GA27038	1	Row Cleaner Cam
6	GD10519	1	Spring
7	G11389	1	Flat Washer, 1/2" Plated SAE
8	G10503	2	Hex Jam Nut, 5/8"-11, Grade 2
9	GD1132	2	Dust Cap
10	G11236	1	Hex Head Cap Screw, 3/4"-10 x 10 1/2"
	G11392	2	Flat Washer, 3/4" SAE
	GB0383	2	Bushing, 1 1/8" O.D. x 25/32" I.D. x 3/4" Long
	G11228	1	Lock Nut, 3/4"-10
11	GA8760	2	Weed Guard W/Spring Pin
	G10765	-	Spring Pin, 1/4" x 1"
12	G10213	4	Machine Bushing, 5/8" (.030" Thick)
13	GB0387	2	Wheel, 12 Tine, 3/8" x 12"
14	GA5654	2	Hub W/Bearings
	GA2014	-	Bearing
15	GD9724	2	Backing Plate
16	G10133	12	Hex Head Cap Screw, 5/16"-18 x 1 1/2"
17	G10109	12	Lock Nut, 5/16"-18, Grade 8
18	G10974	1	Lock Nut W/Nylon Insert, 1/2"-13
19	G10010	2	Hex Head Cap Screw, 5/8"-11 x 3"
A	GA12235	-	L.H. Residue Wheel (Items 13-17)
B	GA12236	-	R.H. Residue Wheel (Items 13-17)

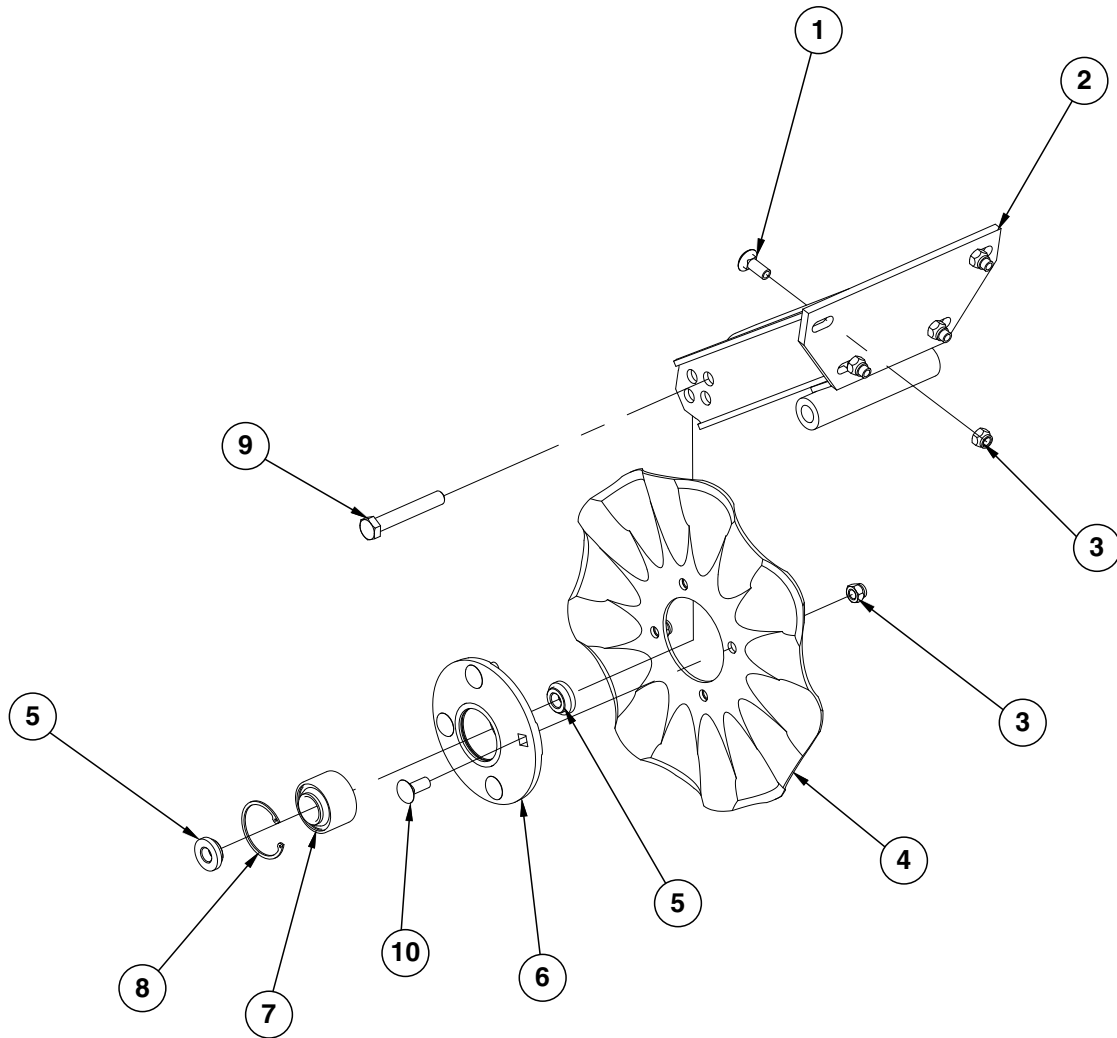
(RU103dd)



ITEM	PART NO.	QTY. (Per Row)	DESCRIPTION
1	GB0387	1	Wheel, 12 Tine, 3/8" x 12"
2	GA5654 GA2014	1 -	Hub W/Bearings Bearing
3	G10133 G10109	6 6	Hex Head Cap Screw, 5/16"-18 x 1 1/2" Lock Nut, 5/16"-18, Grade 8
4	GA6838	1	Wheel Mount
5	G10033 G10228 G10102	2 2 2	Hex Head Cap Screw, 1/2"-13 x 3 1/2" Lock Washer, 1/2" Hex Nut, 1/2"-13
6	GD9720	2	Spacer, 1/2" x 2 3/16" Long
7	G10371	1	Hex Head Cap Screw, 1/2"-13 x 3", Full Thread
8	G10501	1	Hex Jam Nut, 1/2"-13, Grade 2
9	GA6833	1	Upper Link
10	G10574 G10111	4 4	Carriage Bolt, 1/2"-13 x 1 1/4" Lock Nut, 1/2"-13
11	GA6832	1	Mount
12	GA6834	1	Lower Link
13	G10348 G10111	1 1	Hex Head Cap Screw, 1/2"-13 x 5" (Lockup Bolt) Lock Nut, 1/2"-13
14	GD5857	2	Spring
15	GD9715	2	Spacer, 1/2" x 3" Long
16	G10045 G10228 G10102	2 2 2	Hex Head Cap Screw, 1/2"-13 x 4 1/2" Lock Washer, 1/2" Hex Nut, 1/2"-13
17	GD9724	1	Backing Plate
18	G10006	1	Hex Head Cap Screw, 5/8"-11 x 2 1/4"
19	GD1132	1	Dust Cap
A	GA12236	-	Wheel Assembly, 12 Tine, R.H. (Items 1-3 and 18)

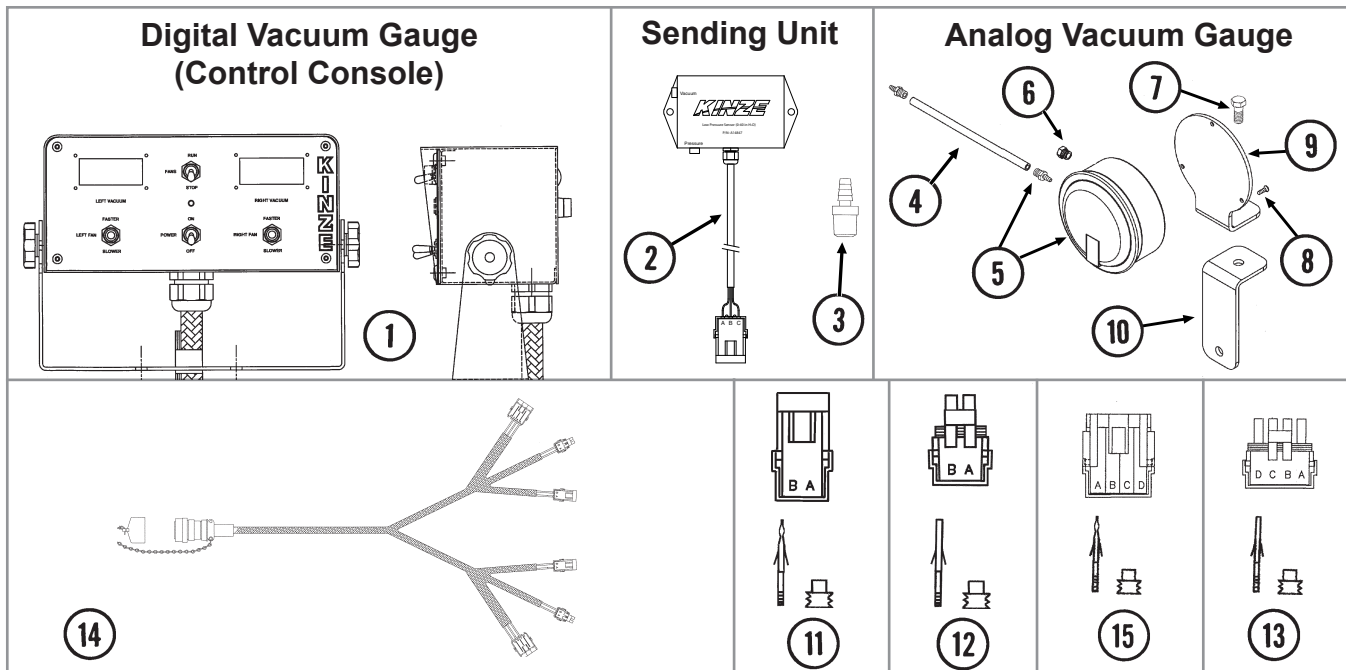


(IP1279)



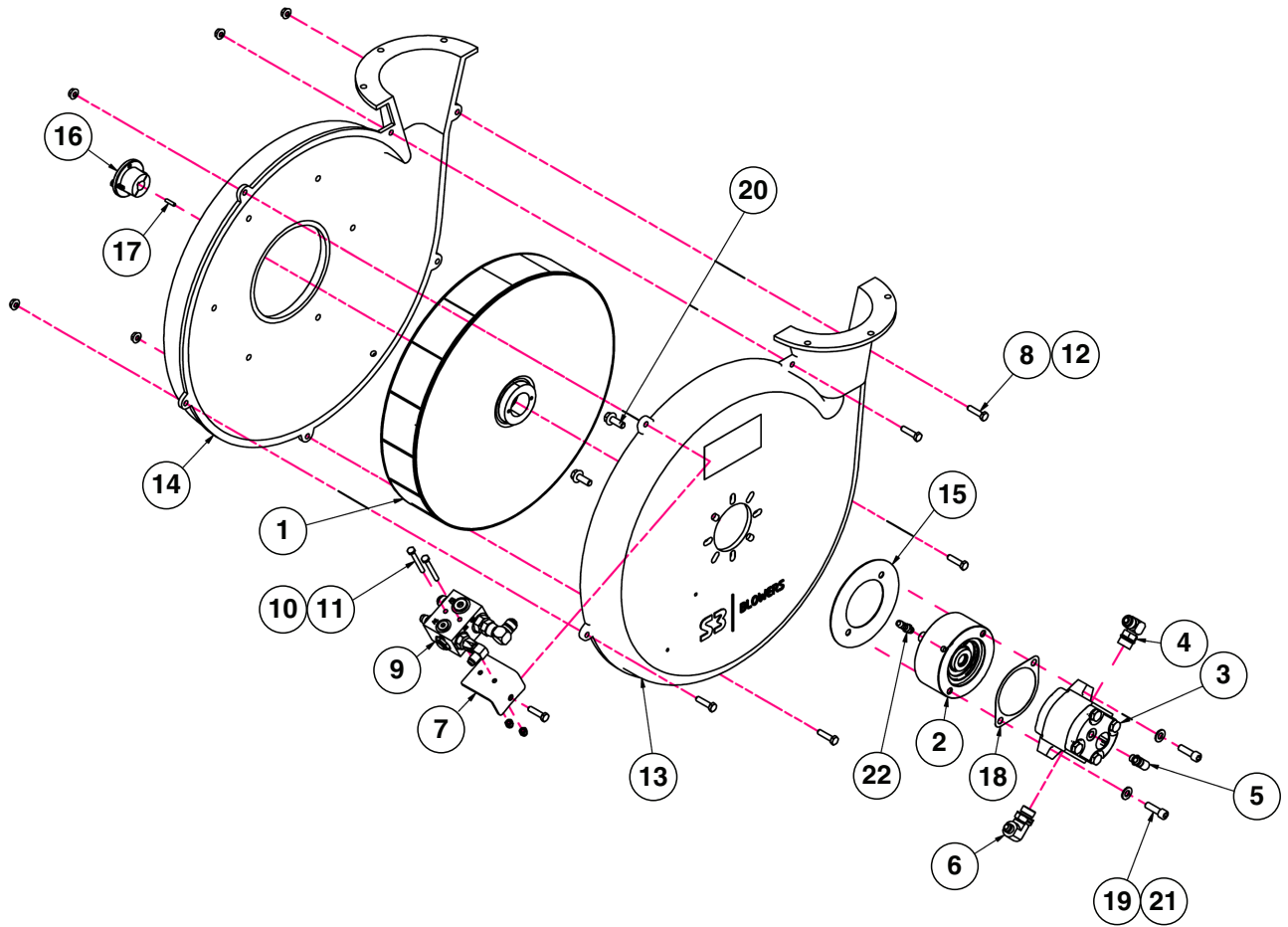
ITEM	PART NO.	QTY. (Per Row)	DESCRIPTION
1	G10574	8	Carriage Bolt, 1/2"-13 x 1 1/4"
2	GA24239	1	Arm
3	G10111	8	Lock Nut, 1/2"-13
4	GD7803	1	Disc Blade, Fluted, 1", 8 Flutes (Shown)
	GD7804	-	Disc Blade, Bubbled, 1"
	GD9254	-	Disc Blade, Fluted, 3/4", 13 Flutes
5	GD11677	2	Adapter
6	GA8641	1	Hub W/Bearing And Retaining Ring (Includes items 7 and 8)
7	GA8603	1	Bearing, Double Row
8	GD19292	1	Retaining Ring (Square), 2 7/16"
9	G10036	1	Hex Head Cap Screw, 5/8"-11 x 4"
	G10107	1	Lock Nut, 5/8"-11

**This page left blank intentionally.**



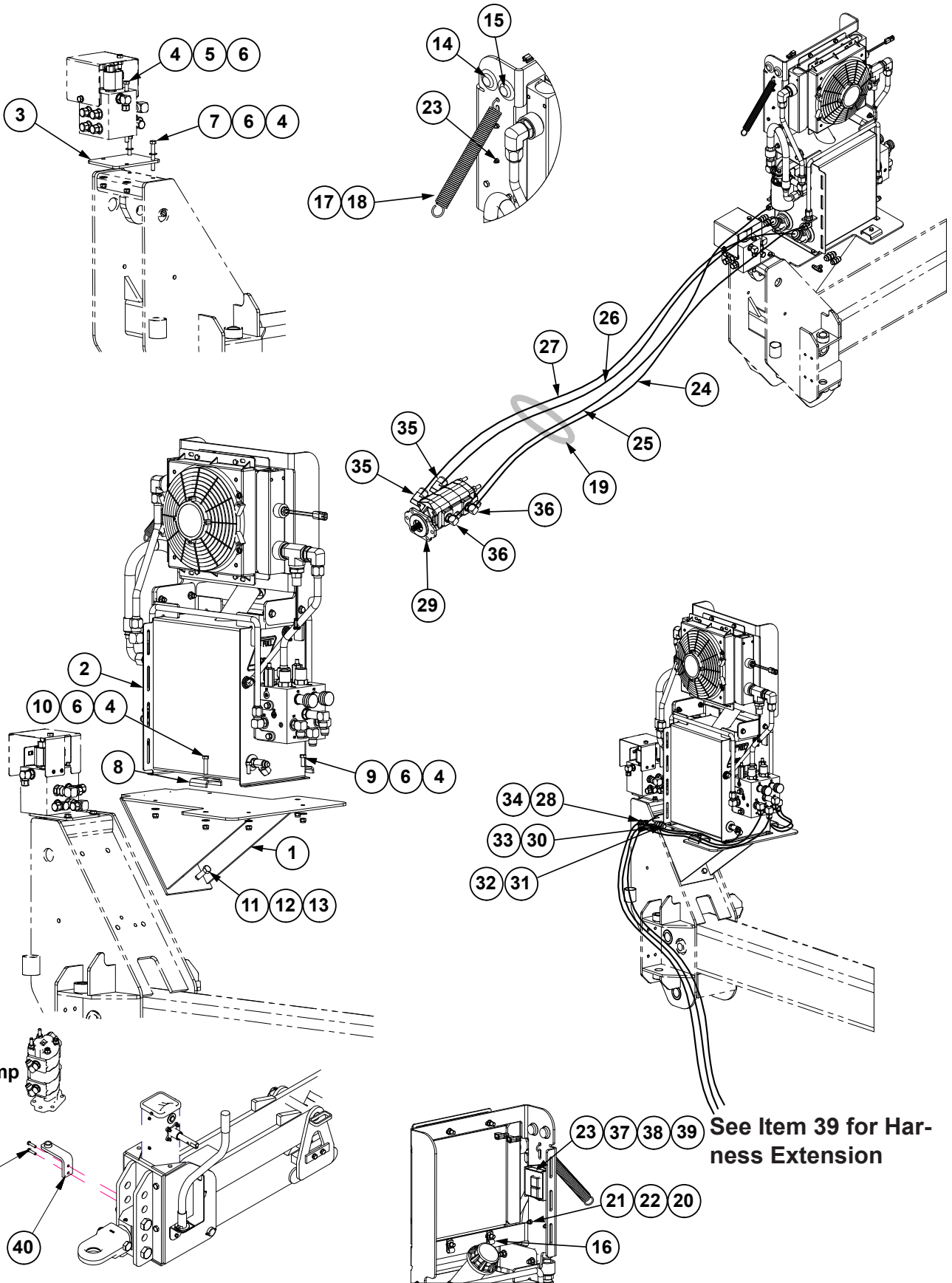
ITEM	PART NO.	QTY.	DESCRIPTION
1	G8081X	1	Backlite Control Console Assembly W/Mounting Brackets, Harness W/Dust Cap And Power Cable
	GD14640	-	Mounting Bracket
	GA6975	-	Knob
	GD2829	-	Fuse, 15 Amp, Type AGC
2	GA14847	1	Low Pressure Sensor (0-40 IN H <sub>2</sub> O)
	GD17151-20	-	Tubing, 1/4" x 10'
	GA9964	-	Strain Relief
3	GR1736	1	Hose Barb, 1/8" Male NPT To Barb
4	GD15849-02	1	Clear Tube, 5/16" O.D. x 3/16" I.D. x 120"
5	GA21406	1	Pressure Gauge W/Hose Barb
	GR1777	-	Hose Barb, 1/8" Male NPT To 3/16" Barb
	GA10799	1	Breather, 1/8" Male NPT
7	G10001	1	Hex Head Cap Screw, 3/8"-16 x 1"
	G11387	1	Flat Washer, 3/8" SAE
	G10108	1	Lock Nut, 3/8"-16
8	G11215	3	Hex Socket Head Cap Screw, No. 6-32 x 3/8", Grade 8
9	GD15804	1	Mount
10	GD15803	1	Support
11	G1K321	-	2-Pin Female Connector Kit (Black), Includes: (3) 2-Pin Female Housings, (6) Pin Contacts, (6) Seals
12	G1K320	-	2-Pin Male Connector Kit (Black), Includes: (3) 2-Pin Male Housings, (6) Socket Contacts, (6) Seals
13	GA8329	1	4-Pin Male Connector Kit, Includes: (1) 4-Pin Male Housing, (4) Seals, (4) Sockets
14	GA11691	-	Harness, 519"
15	GA8328	-	4-Pin Female Connector Kit, Includes: (1) 4-Pin Female Housing, (4) Seals, (4) Pin Contacts

(A25513)



ITEM	PART NO.	QTY.	DESCRIPTION
1	GA21510	1	Impeller
2	GA25388	1	Load Adapter
3	GA24426	1	Vacuum Fan Hydraulic Motor W/Seal Kit
	GR2332	1	Seal Kit
4	G6801-08-10	1	Elbow, 90° 3/4"-16 x 7/8"-14 W/O-Ring
5	G6801-06-04	1	Elbow, 90°, 9/16"-18 x 7/16"-20 W/O-Ring
6	G6801-06-10	1	Elbow, 90° 9/16"-18 x 7/8"-14 W/O-Ring
7	GD34098	1	Plate Mount Bracket
8	G10171	6	Hex Head Cap Screw, 5/16"-18 x 1 1/4"
9	---	1	<a href="#">See "Bulk Fill/Vacuum Anti-Cavitation Check Valve Block (Located on Vacuum Fan)" on page P92</a>
10	G10880	2	Hex Head Cap Screw, 1/4"-20 x 2 1/4"
11	G11320	2	Lock Nut, 1/4"-20, Grade B
12	G10620	6	Serrated Flange Nut, 5/16"-18
13	GD35448	1	Vacuum Fan Drive Case
14	GD36855	1	Vacuum Fan Drive Case (with Hole)
15	GD25644	1	Cover Plate
16	GD34103	1	Bushing
17	GD21300	1	Key, 3/16" x 3/4"
18	GD30882	1	2-Bolt Mount Gasket
19	G11387	2	Hardened Washer, 3/8" SAE
20	G11124	2	Hex Serrated Flange Cap Screw, 3/8"-16 x 1"
21	G11848	2	Hex Socket Head Cap Screw, 3/8"-16 x 1-1/4"
22	GD35294	1	Hose Barb, 1/8"-27 NPTF x 3/8"

(105497)



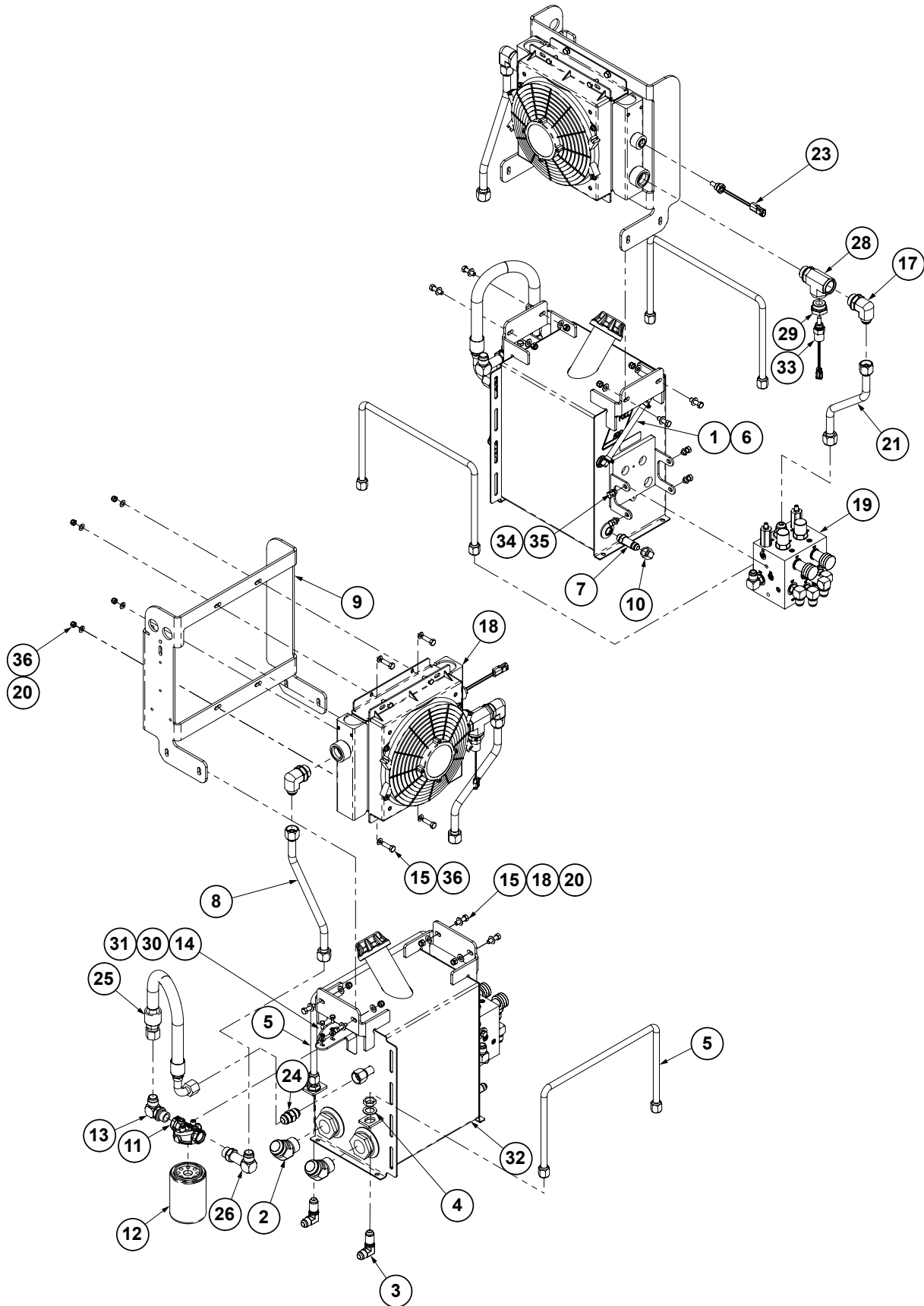
PTO Pump

See Item 39 for Harness Extension

ITEM	PART NO.	QTY.	DESCRIPTION
1	G10448601	1	PTO Tank Mount
2	G10549801	1	<a href="#">See "PTO Reservoir Assembly" on page P36</a>
3	GD25508	1	Hydraulic Block Mount
4	G10108	12	Lock Nut, 3/8"-16
5	G10937	2	Hex Head Cap Screw, 3/8"-16 x 6 1/2"
6	G11387	14	Hardened Washer, 3/8" SAE
7	G10062	2	Hex Head Cap Screw, 3/8"-16 x 3"
8	GD5875	2	Hose Clamp, 9/16" x 2 1/2" x 2"
9	G10001	4	Hex Head Cap Screw, 3/8"-16 x 1"
10	G10047	2	Hex Head Cap Screw, 3/8"-16 x 1 3/4"
11	G11389	4	Flat Washer, 1/2" Plated SAE
12	G10111	4	Lock Nut, 1/2"-13
13	G10017	4	Hex Head Cap Screw, 1/2"-13 x 1 1/2"
14	G10098401	1	PTO Harness, Red Light
15	G10098301	1	PTO Harness, Green Light
16	GD6291	2	Insulated Clamp, 3/8"
17	GA14152	1	Hose Strap
18	GD0829	1	Spring
19	GD19383-03	1	Hose Wrap, 60"
20	G10567801	1	Angled Mounting Bracket
21	G10110	2	Lock Nut, 1/4"-20, Grade B
22	G10023	2	Hex Head Cap Screw, 1/4"-20 x 3/4"
23	G10396901	1	Reverser Module Sub-assembly
24	*A11810-120	1	Hose Assembly, 1-1/4" x 120" (20F-20F)
25	*A11810-124	1	Hose Assembly, 1-1/4" x 124" (20F-20F)
26	*A25707-120	1	Hose Assembly, 1/2" x 120" (10F45-12F)
27	*A25707-124	1	Hose Assembly, 1/2" x 124" (10F45-12F)
28	*A15092-32	1	Hose Assembly, 3/8" x 32" (06F - 08F)
29	G10288701	1	Gear Pump, 2.46 Cubic Inches
30	*A18666-40	2	Hose Assembly, 1/2" x 40" (10F-10F)
31	*A25487-40	2	Hose Assembly, 5/8" x 40" (10F - 12F)
32	G2403-12	2	Union male 1-1/6-12 JIC X 7/8-14 JIC
33	G2403-10	2	Union, 7/8"-14 Male JIC
34	G2603-06	1	Tee, 9/16"-18 Male JIC
35	G6801-20	2	Elbow W/O-Ring, 90°, 1 5/8"-12 Male JIC To O-Ring
36	G6801-12	2	Elbow W/O-Ring, 90°, 1 1/16"-12 Male JIC To O-Ring
37	G10049501	1	Tractor Battery Connection Harness and Fuse Kit
38	G10389601	1	Tractor Power Harness
39	G10649801	1	PTO Harness, 3000 Series
	G10737701	-	PTO Harness Extension (for articulated tractors)
40	GA13917	1	Pump Mount

\* Hydraulic hose is not stocked by Kinze Repair Parts.

(105498)

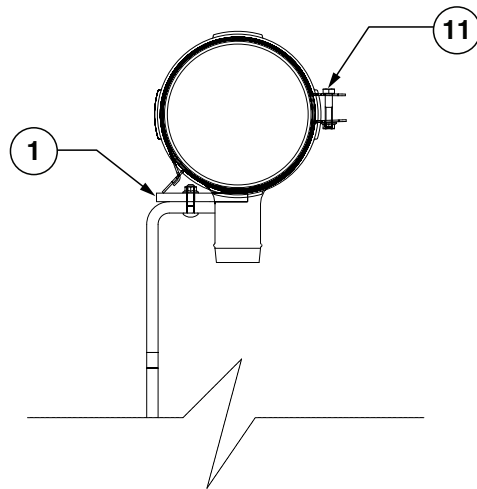
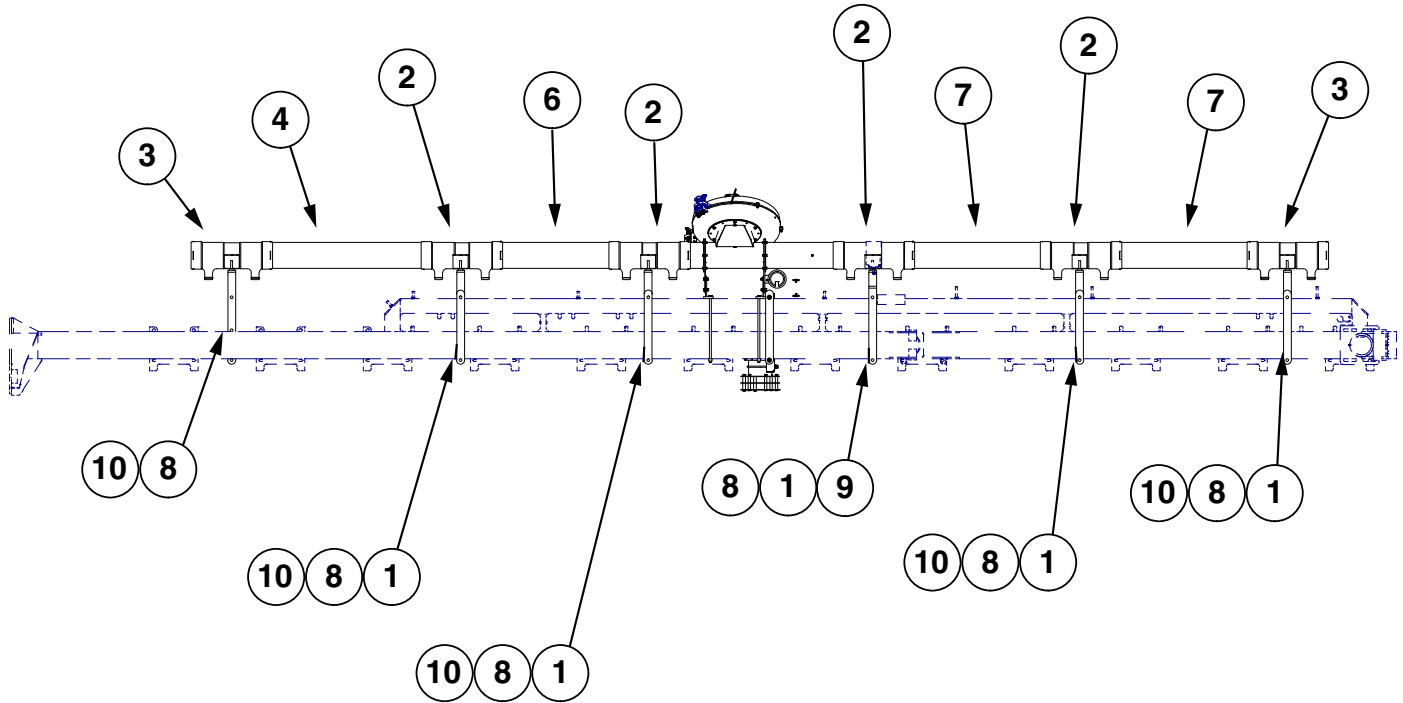
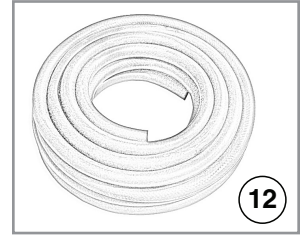


ITEM	PART NO.	QTY.	DESCRIPTION
1	G10331001	2	Hose Clamp #4, 5/8"-1/4 x 5/16"
2	G2503-20	2	Elbow, 45°, 1-5/8"-12 JIC x 1-1/4" Male NPT
3	G2701-10	2	Elbow, 90°, 7/8"-14 Male JIC
4	G306-10	2	Lock Nut, 7/8"-14
5	G10333501	2	Steel Hydraulic Line, 5/8"
6	GD35381	2	3/8" O.D. Brass Barbed x 1/4" NPT 90° Elbow
7	G6804-08	1	Adjustable Tee, 3/4"-16 Male JIC To O-Ring
8	G10399801	1	Steel Hydraulic Line, 3/4"
9	G10333601	1	Cooler Mount Bracket
10	G304-C-8	1	Cap Nut, 3/4"-16
11	GD16038	1	Filter Head
12	GD16037	1	Oil Filter, 10 Micron
13	G6801-12	1	Elbow W/O-Ring, 90°, 1 1/16"-12 Male JIC To O-Ring
14	G10227	2	Lock Washer, 1/4"
15	G10171	8	Hex Head Cap Screw, 5/16"-18 x 1 1/4"
16	G10235	2	Machine Bushing, 7/8", 14 Gauge (.0747")
17	G6801-12-16	2	Elbow W/O-Ring, 90°. 1 1/16"-12 Male JIC To 1-5/16"-14 O-Ring
18	G11387	8	Flat Washer, 3/8" SAE
19	G10170801	1	<a href="#">See "PTO Pump Hydraulic Valve Block" on page P104</a>
20	G10109	8	Lock Nut, 5/16"-18
21	G10399901	1	Steel Hydraulic Line, 3/4"
22	GD6279-07	1	Clear Plastic Tubing, 3/8" x 7-1/4"
23	G10087001	1	Temperature Sensor
24	G2403-12	1	Union, Male, 1-1/6"-12 JIC X 7/8"-14 JIC
25	*A12937-24	1	Hose Assembly, 3/4" x 24" (12F - 12F90S)
26	G6801-LL-12	1	Adjustable Elbow, 1-1/16"-12 JIC x 1-1/16"-12 O-Ring
27	G10339301	1	Oil Cooler and Fan Assembly
28	G6835-16-16-16	1	Tee, 1-5/16" O-Ring
29	G6410-16-08	1	Adapter, 1-5/16"-12 Oring x 3/4"-16
30	G11385	2	Flat Washer, 1/4" SAE
31	G10020	2	Hex Head Cap Screw, 1/4"-20 x 5/8"
32	G10333801	1	PTO Reservoir
33	G10098201	1	Temperature Sensor
34	G10229	4	Lock Washer, 3/8"
35	G10002	4	Hex Head Cap Screw, 3/8"-16 x 3/4"
36	G11386	8	Flat Washer, 5/16" SAE

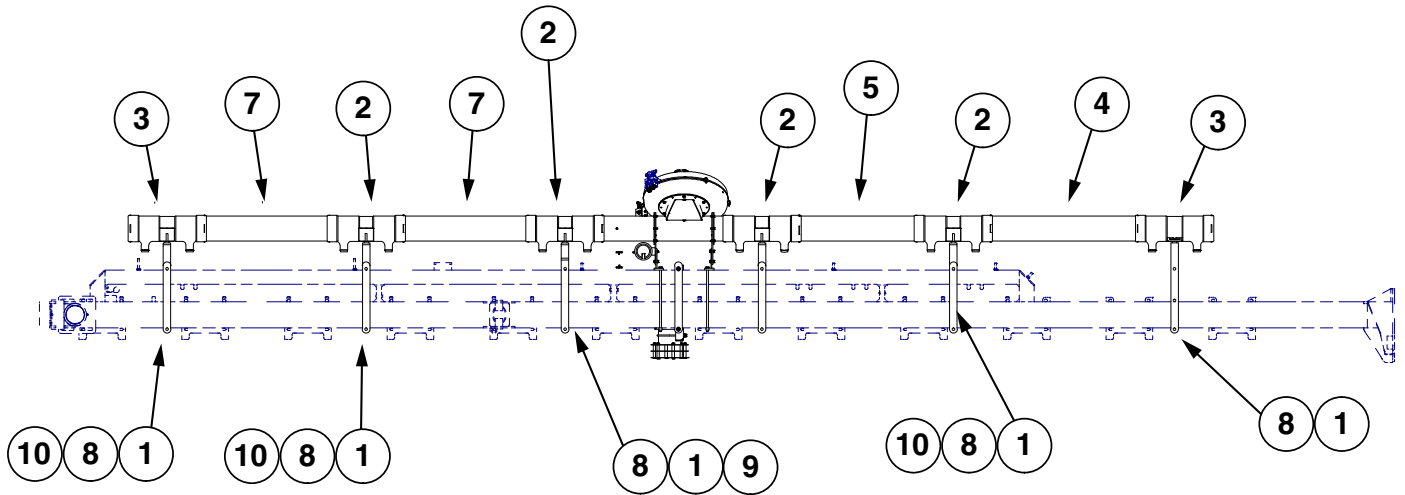
\* Hydraulic hose is not stocked by Kinze Repair Parts.



(104938)



Section A-A  
(12 Places)

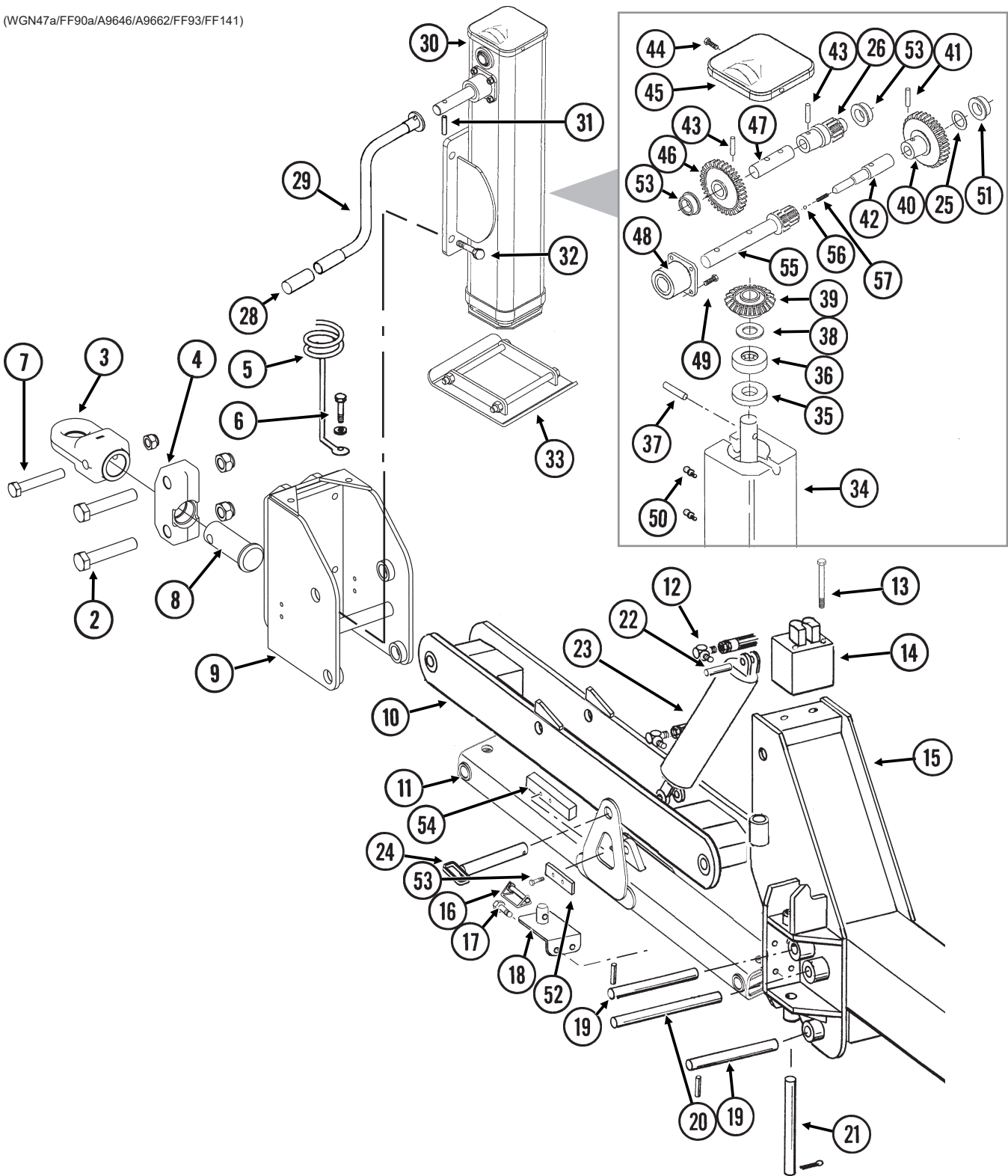


ITEM	PART NO.	QTY.	DESCRIPTION
1	GA11164	12	Mount
	G10106	12	Hex Nut, 5/16"-18
	G10232	12	Lock Washer, 5/16"
	G10133	12	Hex Head Cap Screw, 5/16"-18 x 1 1/2"
2	GD15799	8	Manifold, 21" (Open Both Ends)
3	GD15850	4	Manifold, 21" (Open One End)
4	GD15856-08	2	Pipe, 6" x 43 1/2", L.H.
5	GD15856-28	1	Pipe, 6" x 35.5"
6	GD15856-33	1	Pipe, 6" x 22 1/2"
7	GD15856-42	4	Pipe, 6" x 37 1/2"
8	GD18626	12	Support
9	GD30910	2	Manifold and Hose Support Tab Block
10	GD30909	8	Manifold Support Tab Plate
11	GD15854	12	Clamp
	G10338	12	Carriage Bolt, 5/16"-18 x 1 1/4"
	G10620	12	Serrated Flange Nut, 5/16"-18
12	GD36495-600	-	Vacuum Hose, 1-1/2" x 50'



ITEM	PART NO.	QTY.	DESCRIPTION
1	G10507101	1	Vacuum Manifold
2	G10507301	2	Vacuum Manifold Leg
3	G10622	8	Serrated Flange Nut, 3/8"-16
4	G10004	1	Hex Head Cap Screw, 3/8"-16 x 1 1/4"
5	G10001	7	Hex Head Cap Screw, 3/8"-16 x 1"
6	GD18624	2	Tap Block
7	GD18623	4	Hex Head Cap Screw, 1/2"-13 x 17"
8	G10536301	1	Pressure Gauge Mount
9	GA12145	1	Manifold Flange, 16" (L.H. Side)
	G10548901	1	Manifold Flange, 20" (R.H. Side)
10	GR1777	1	Hose Barb, 3/16" x 1/8" NPT
11	GD6279-05	1	Tubing, 3/8" x 60"
12	GA25513	1	Vacuum Fan Assembly
13	GD26697	1	Backing Plate
14	G10681	1	Hose Clamp, No. 6
15	GD16842	2	Manifold Gasket, 1/8" x 8 3/8" (6 5/8" I.D.)
16	G10023	12	Hex Head Cap Screw, 1/4"-20 x 3/4"
17	G10110	12	Lock Nut, 1/4"-20, Grade B
18	G11387	8	Hardened Washer, 3/8" SAE
19	G11142	2	T-Bolt Clamp, 6-1/4"
20	GA25441	1	Flex Tube Mount
21	G10620	12	Serrated Flange Nut, 5/16"-18
22	G10991	6	Hex Head Cap Screw, 5/16"-18 x 7/8"
23	G10507001	1	Diffuser Bracket
24	GD35437	1	U-Bolt, 6" x 3/8"-16
25	GA25426	1	Diffuser
26	G11091	2	Serrated Flange Nut, 3/8"-16
27	GD13348	1	Insulated Clamp, 11/16"
28	G11386	6	Flat Washer, 5/16" SAE
29	G10171	6	Hex Head Cap Screw, 5/16"-18 x 1 1/4"
30	GD30909	1	Manifold Support Tab Plate
31	G10909	2	Hex Head Cap Screw, 1/2"-13 x 9"
32	G10102	2	Hex Nut, 1/2"-13
33	G11389	2	Flat Washer, 1/2" Plated SAE
34	GD19658-02	1	Black Hose, 6" I.D. x 56"
35	G6400-08	1	Adapter, 3/4"-16 Male JIC to 1-1/16"-12 O-Ring
36	G6400-10	1	Connector W/O-Ring, 7/8"-14 Male JIC To O-Ring
37	GA21868	1	Manifold Flange, 5" (L.H. Side)
	GA11653	1	Manifold Flange, 6" (R.H. Side)
38	GA21406	1	Pressure Gauge
39	GD15849-02	1	Clear Plastic Tubing, 5/16" O.D. x 120"
40	GD21278	2	Reducing Tee, 3/16" x 1/8" x 3/16"
41	G11215	3	Hex Flat Head Cap Screw, No. 6-32 x 3/8", Grade 8

(WGN47a/FF90a/A9646/A9662/FF93/FF141)

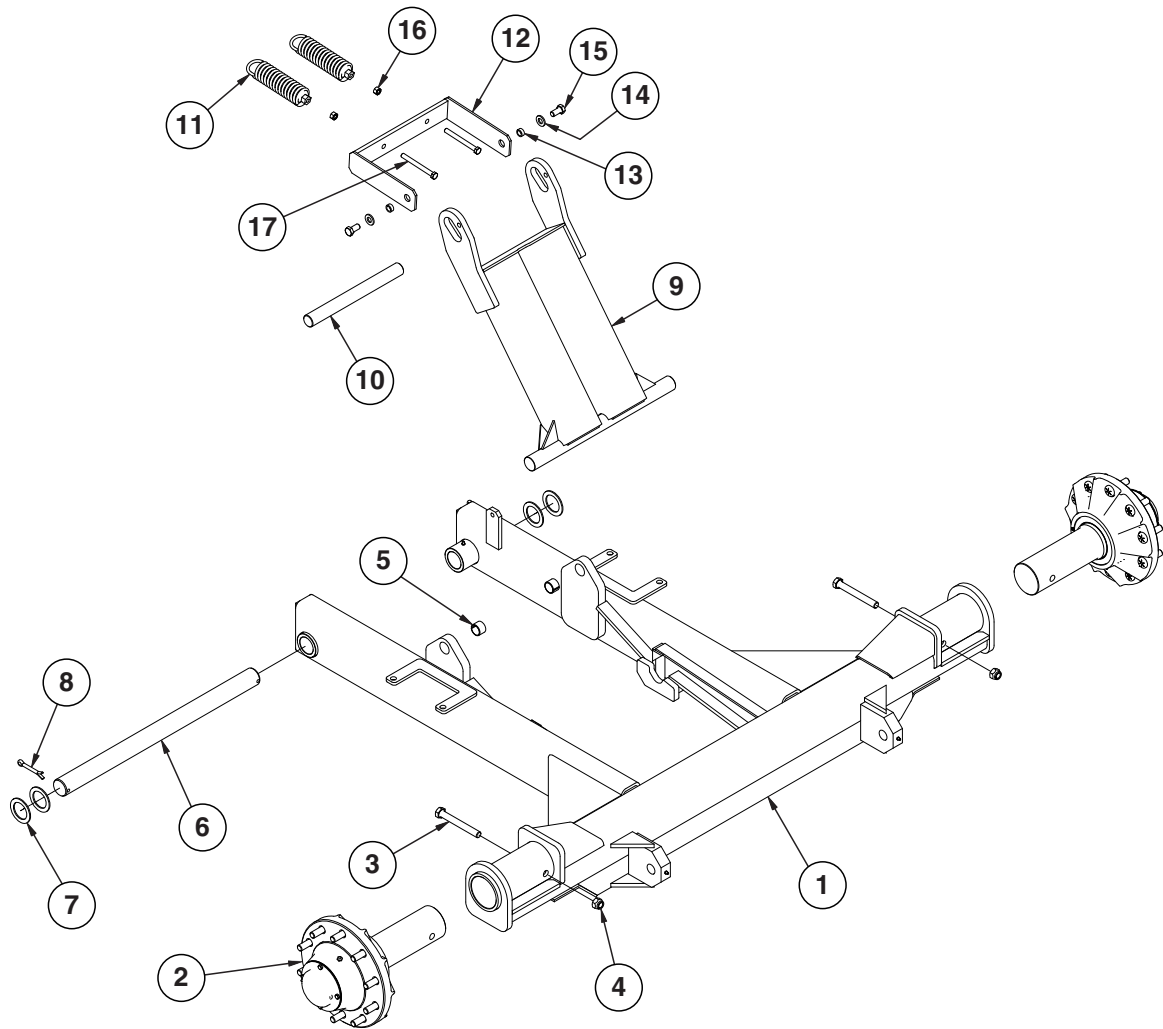


ITEM	PART NO.	QTY.	DESCRIPTION
1	---	-	---
2	G10042	2	Hex Head Cap Screw, 1¼"-7 x 6½"
	G10157	2	Lock Nut, 1¼"-7
3	GB0361	1	Single Clevis, Swivel Hitch
4	GA9526	1	Swivel Block W/Grease Fitting
	G10643	-	Grease Fitting, 45°, ¼"-28
5	GD9349	1	Hose Holder
6	G10006	1	Hex Head Cap Screw, ⅝"-11 x 2¼"
	G10230	1	Lock Washer, ⅝"
	G11391	1	Flat Washer, ⅝" SAE (If Applicable)
	G10104	1	Hex Nut, ⅝"-11
7	G11186	2	Hex Head Cap Screw, 1"-8 x 6½"
	G10396	2	Lock Nut, 1"-8
8	GD13377	1	Spindle
9	GA9459	1	Hitch Cap
10	GA9894	1	Upper Hitch Link W/Grease Fittings
	G10640	-	Grease Fitting, ¼"-28
11	GA10043	1	Lower Hitch Link W/Grease Fittings
	G10640	-	Grease Fitting, ¼"-28
12	G6801-08	2	Elbow W/O-Ring, 90°, ¾"-16 Male JIC To O-Ring
	GR1037	-	O-Ring
13	G10756	2	Hex Head Cap Screw, ⅜"-16 x 6"
	G11387	2	Flat Washer, ⅜" SAE
	G10108	2	Lock Nut, ⅜"-16
14	---	-	<a href="#">See "Valve Block on Front Hitch" on page P90</a>
15	---	-	<a href="#">See "Front Hitch Assembly (Rear Section)" on page P48</a>
16	GD10705	1	Locking Clip Pin, ¼" x 2½"
17	G10019	2	Hex Head Cap Screw, ⅝"-18 x 1"
	G10232	2	Lock Washer, ⅝"
	G10106	2	Hex Nut, ⅝"-18
18	GA9654	1	Handle Mount
19	GD9464-01	4	Pin, 1½" x 11¼"
	G10475	8	Spring Pin, ¼" x 2¼"
20	GD0671	1	Pin, 1¼" x 10¾"
	G10460	2	Cotter Pin, ¼" x 2"
21	GD4014	2	Pin, 1¼" x 12"
	G10460	4	Cotter Pin, ¼" x 2"
22	GR0717	2	Pin W/Clip
	GR0193	-	Hair Pin Clip
23	---	-	<a href="#">See "Hitch Paralled Linkage Cylinder" on page P85</a>
24	GA6813	1	Parallel Linkage Lock Pin
	GD14217	1	Tab Lock Pin, ⅞" x 1½"
25	G11032	1	Shim
26	GD13605	1	Output Spur Gear
27	---	-	---
28	G11012	1	Cover
29	GA9655	1	Handle
30	GA9646	1	2-Speed Jack Assembly, Less Handle And Foot Assembly
31	G11076	1	Spring Pin, M10 x 50 (Metric)
32	G10006	4	Hex Head Cap Screw, ⅝"-11 x 2¼"
	G10230	4	Lock Washer, ⅝"
	G10104	4	Hex Nut, ⅝"-11

Continued on the next page.

ITEM	PART NO.	QTY.	DESCRIPTION
33	GA9662	1	Jack Foot Assembly W/Hardware
	G11034	-	Hex Head Cap Screw, 1/2"-13 x 7"
	G10111	-	Lock Nut, 1/2"-13
34	GA9663	1	Lower Leg Assembly
35	GD13598	1	Collar
36	GA9665	1	Thrust Bearing
37	G10840	1	Dowel Pin, 3/8" x 1 3/4"
38	GD13600	1	Thrust Washer
39	GD13601	1	Bevel Gear
40	GD13602	1	Output Cluster Gear
41	G11030	1	Spring Pin, 3/8" x 1 3/4"
42	GD13603	1	Output Shaft
43	G11031	2	Spring Pin, 5/16" x 1 1/2"
44	G10960	2	Flanged Whiz-Lock Screw, 1/4"-20 x 5/8", No Serration
45	GD13607	1	Cover
46	GD13606	1	Input Spur Gear
47	GD13608	1	Output Shaft
48	GA14992	1	Shaft Housing Assembly
49	G10019	4	Hex Head Cap Screw, 5/16"-18 x 1"
	G10109	4	Lock Nut, 5/16"-18, Grade 8
50	G10641	2	Grease Fitting, 1/8" NPT
51	GD13604	3	Bushing
52	GD15785	2	Mount, 1 1/2" x 5 1/2"
53	G10017	4	Hex Head Cap Screw, 1/2"-13 x 1 1/2"
	G10228	4	Lock Washer, 1/2"
54	GD15787	2	Stop Block, 1 1/2" x 8"
55	GD13611	1	Input Shaft
56	GD13609	2	Detent Ball
57	GD13610	1	Detent Spring
A	GA9504	-	2-Speed Jack/Mount Sub-Assembly (Items 2-9, 30, 31 And 33)
B	G7786x	-	Safety Chain Package (Items: 1 and 27)

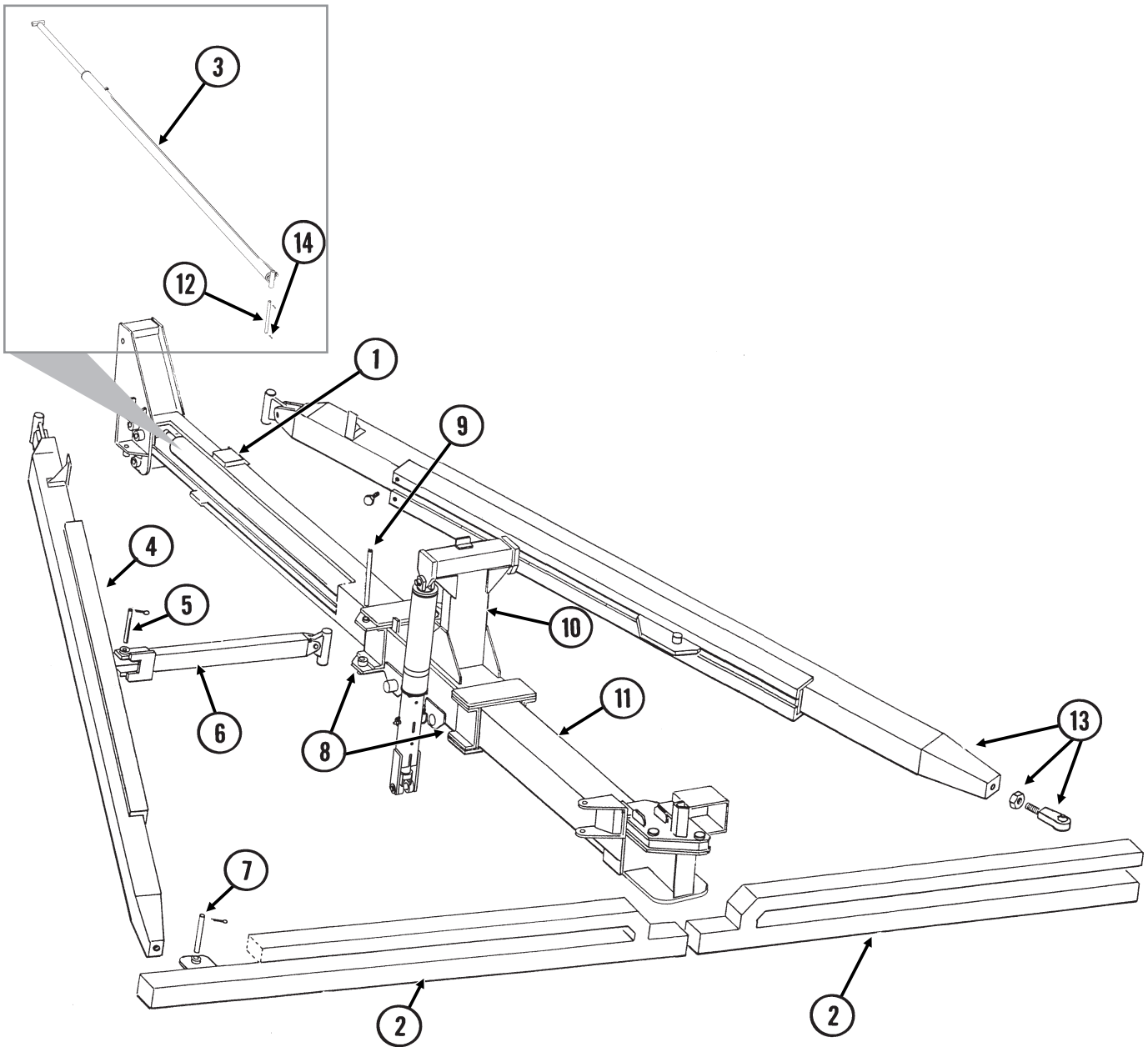
(IP1420)



ITEM	PART NO.	QTY.	DESCRIPTION
1	GA16870 G10640	1 4	Axle, 36 Row 20" (Non-Stock Item) Grease Fitting, 1/4"-28
2	---	2	<a href="#">See "Transport Wheel and Hub Assembly" on page P58</a>
3	G10440	2	Hex Head Cap Screw, 3/4"-10 x 6"
4	G10112	2	Lock Nut, 3/4"-10
5	GD11751	2	Steel Bushing, 1" Wide
6	GD9566-01	1	Pin, 2 1/8" x 3 1 3/8"
7	G10234	4	Machine Bushing, 2 1/8", 10 Gauge
8	G10461	2	Cotter Pin, 3/8" x 3"
9	GA14086 GA6658	1 -	Transport Lockup Transport Lockup (24 Row 70cm only)
10	GD11783	1	Transport Rod, 1 1/2" x 14 3/4"
11	GA2068	2	Spring W/Plug
12	GA6725	1	Mechanical Trip Actuator
13	GD3180-24	2	Sleeve, 5/8" I.D. x 7/8" O.D. x 3/8" Long
14	G11391	2	Flat Washer, 5/8" SAE
15	G10055	2	Hex Head Cap Screw, 5/8"-11 x 1 1/4"
16	G10102	2	Hex Nut, 1/2"-13
17	G10348	2	Hex Head Cap Screw, 1/2"-13 x 5"

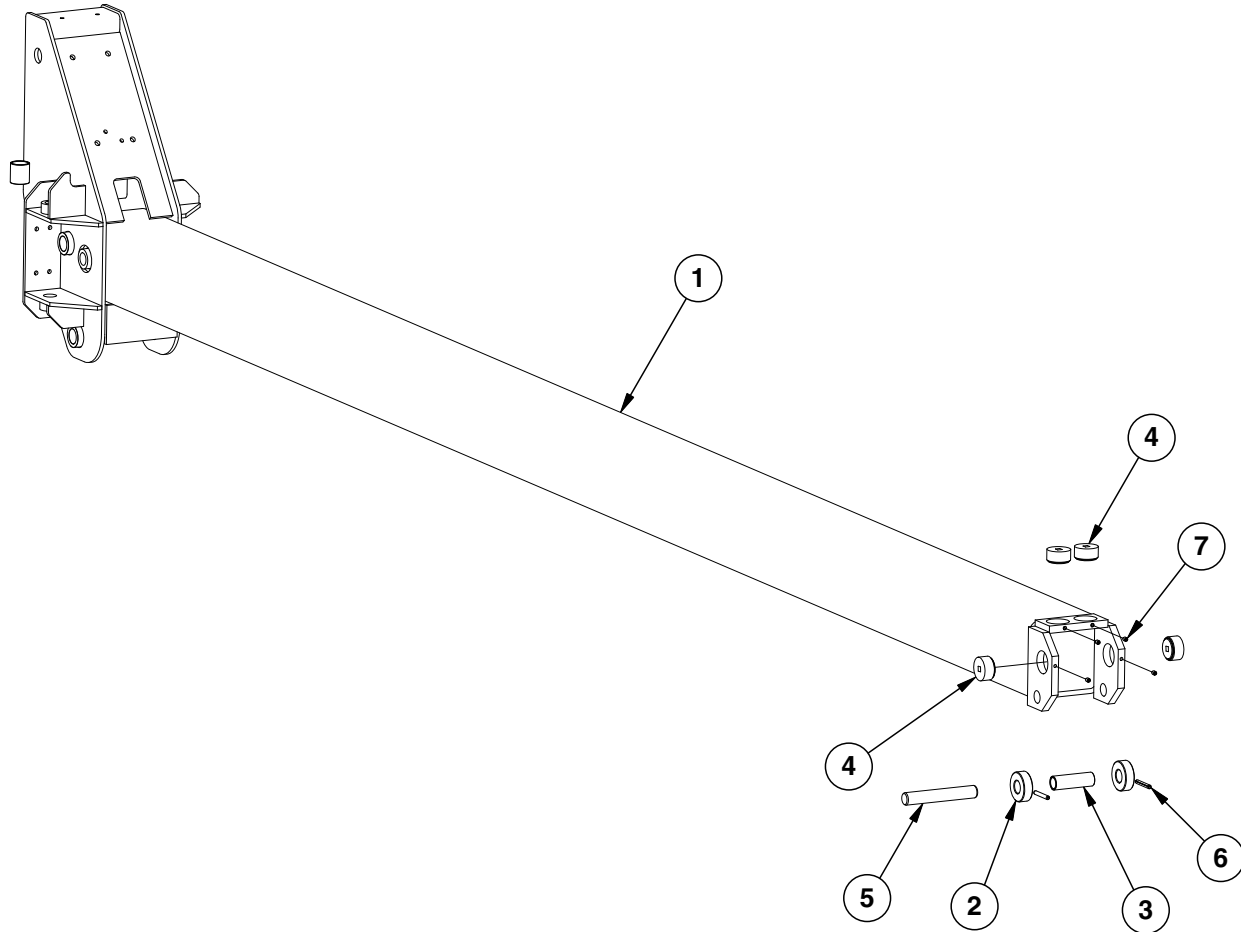


(TP1016)



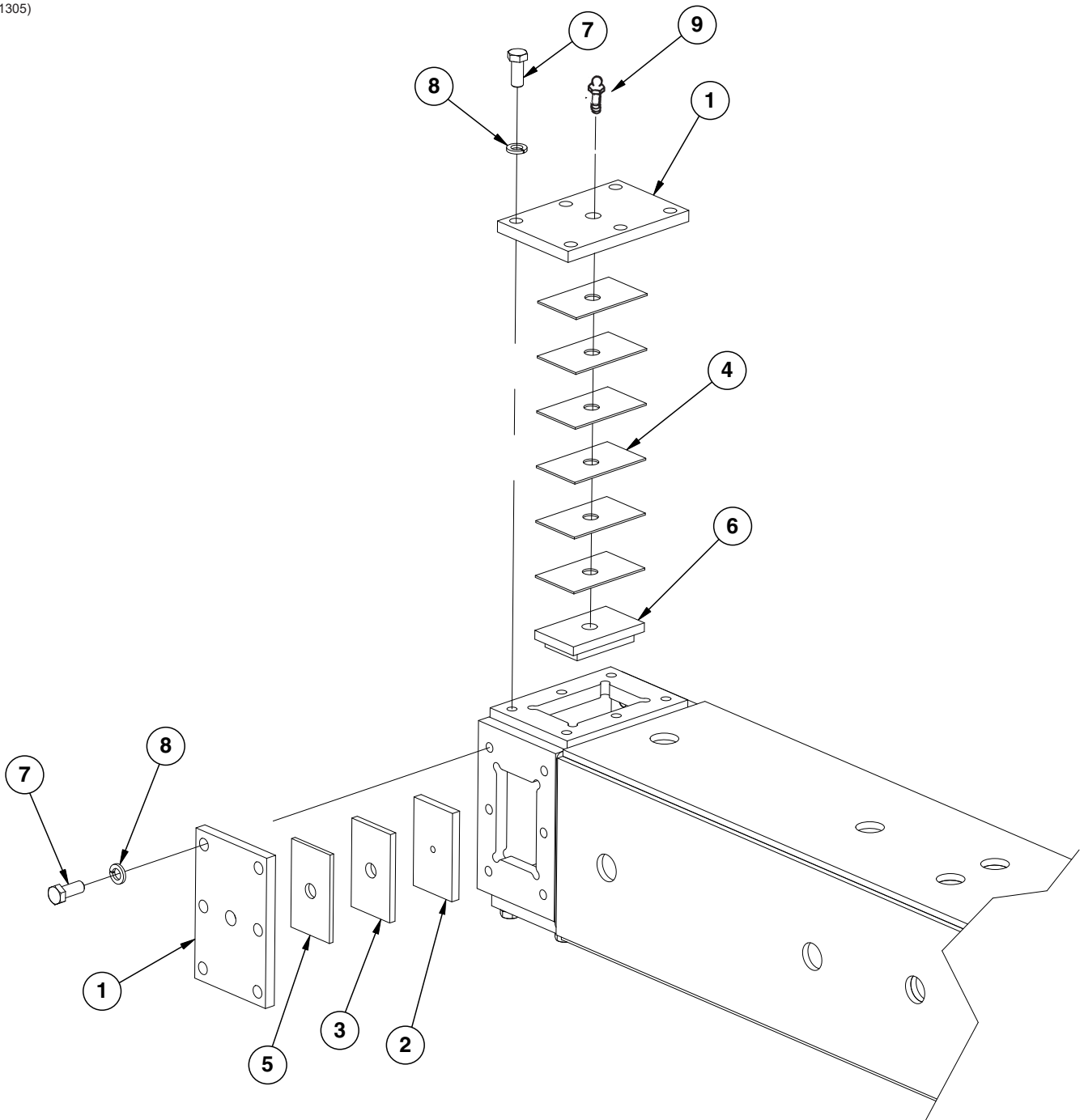
ITEM	PART NO.	QTY.	DESCRIPTION
1	---	-	<a href="#">See "Front Wear Pads" on page P49</a>
2	---	-	<a href="#">See "Hinge and Wing Assemblies" on page P54</a>
3	---	-	<a href="#">See "Tongue Cylinder" on page P88</a>
4	GA7453	1	L.H. Draft Link W/Split Locking Nut, Socket Head Screw And Joint
	GD10230	-	Split Locking Nut, 2"-12, Grade 2
	G10831	-	Hex Socket Head Screw, ¼"-20 x ⅝"
	GA6660	-	Joint
	GA6649	-	Axle Link Slide
5	GD9542-03	2	Pin, 1¼" x 6⅞"
	G10460	4	Cotter Pin, ¼" x 2"
6	GA6654	2	Axle Link
7	GD3421	2	Pin, 1¼" x 8¾"
	G10460	4	Cotter Pin, ¼" x 2"
8	---	-	<a href="#">See "Tower Assembly" on page P50</a>
9	GD9542-04	2	Pin, 1¼" x 15"
	G10460	4	Cotter Pin, ¼" x 2"
10	---	-	<a href="#">See "Tower Assembly" on page P50</a>
11	*A12535		Rear Hitch <b>(Non-Stock Item)</b>
12	GD5506	1	Pin, 1¼" x 16"
	G10460	2	Cotter Pin, ¼" x 2"
13	GA7454	1	R.H. Draft Link W/Split Locking Nut, Socket Head Screw And Joint
	GD10230	-	Split Locking Nut, 2"-12, Grade 2
	G10831	-	Hex Socket Head Screw, ¼"-20 x ⅝"
	GA6660	-	Joint
	GA6649	-	Axle Link Slide
14	G10460	2	Cotter Pin, ¼" x 2"

(IP1306)



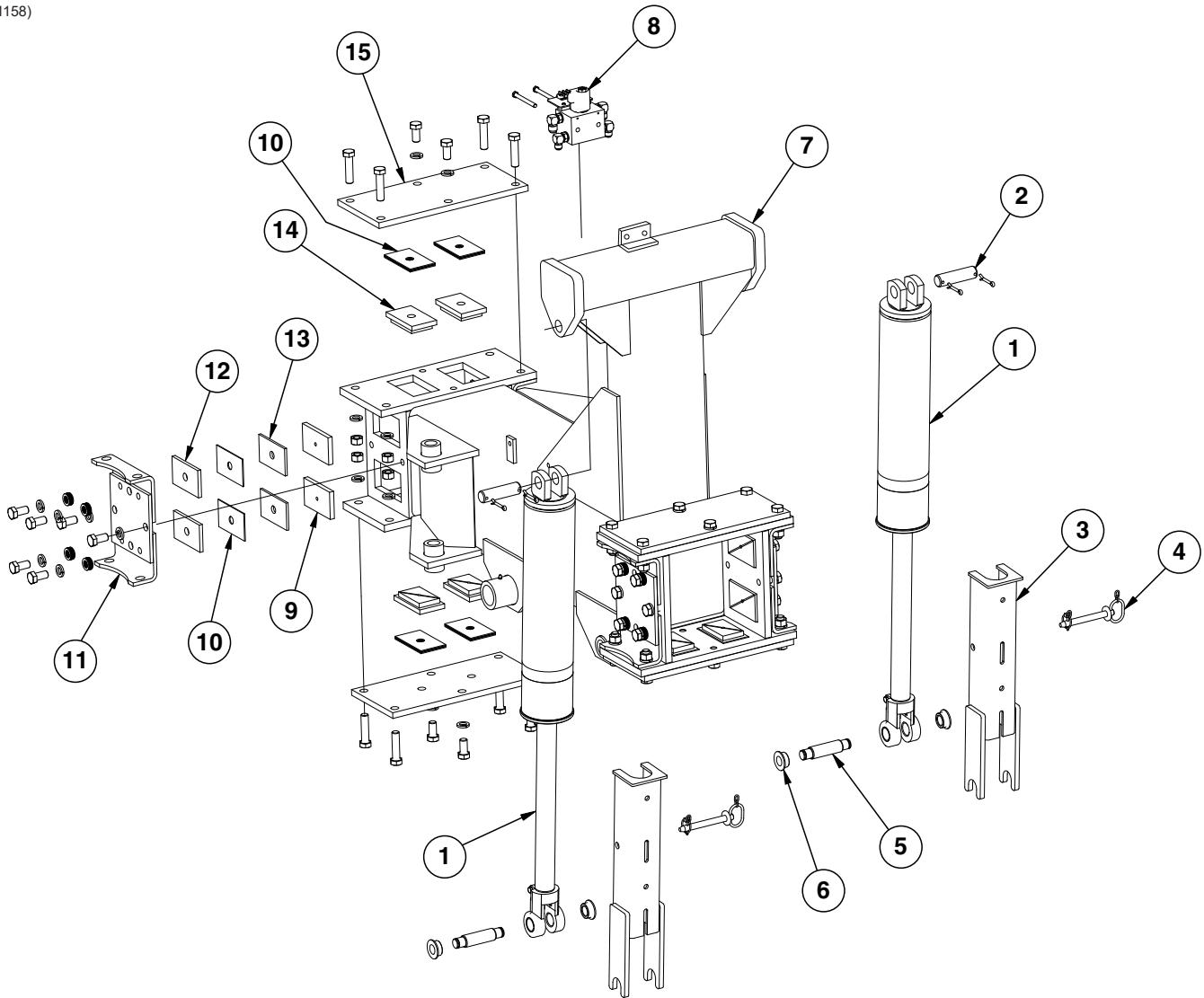
ITEM	PART NO.	QTY.	DESCRIPTION
1	*A14700	1	Front Hitch, 166 <sup>5</sup> / <sub>8</sub> " (Non-Stock Item)
2	GD9366	2	Roller
3	GD9367	1	Sleeve
4	GD21000	4	Bronze Adjusting Plug
5	GD9362	1	Mounting Pin
6	G10769	2	Spring Pin, 3/8" x 2 3/4"
7	G10760	4	Hex Socket Set Screw, 3/8"-16 x 1/2"

(IP1305)



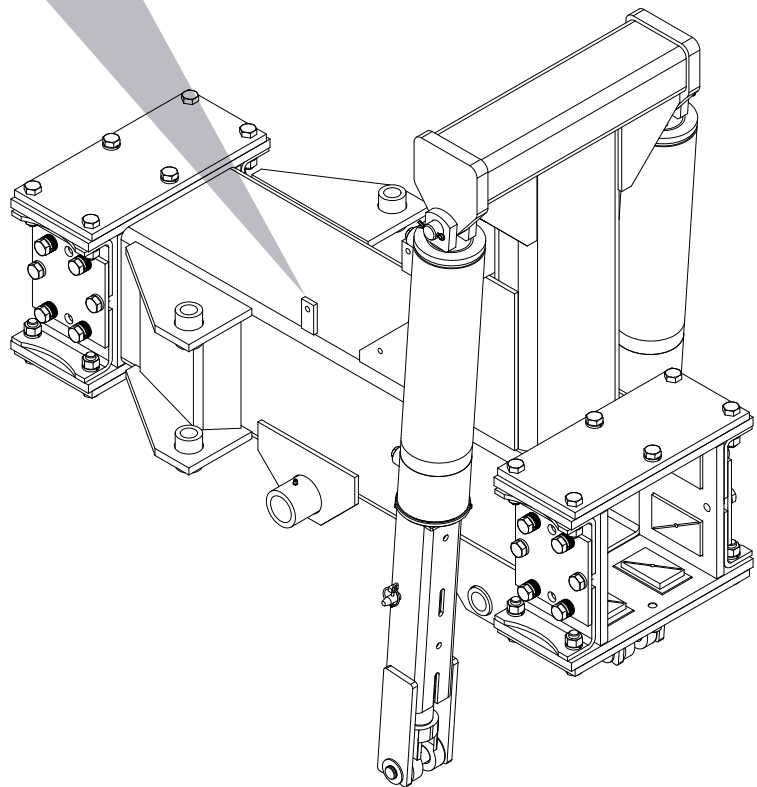
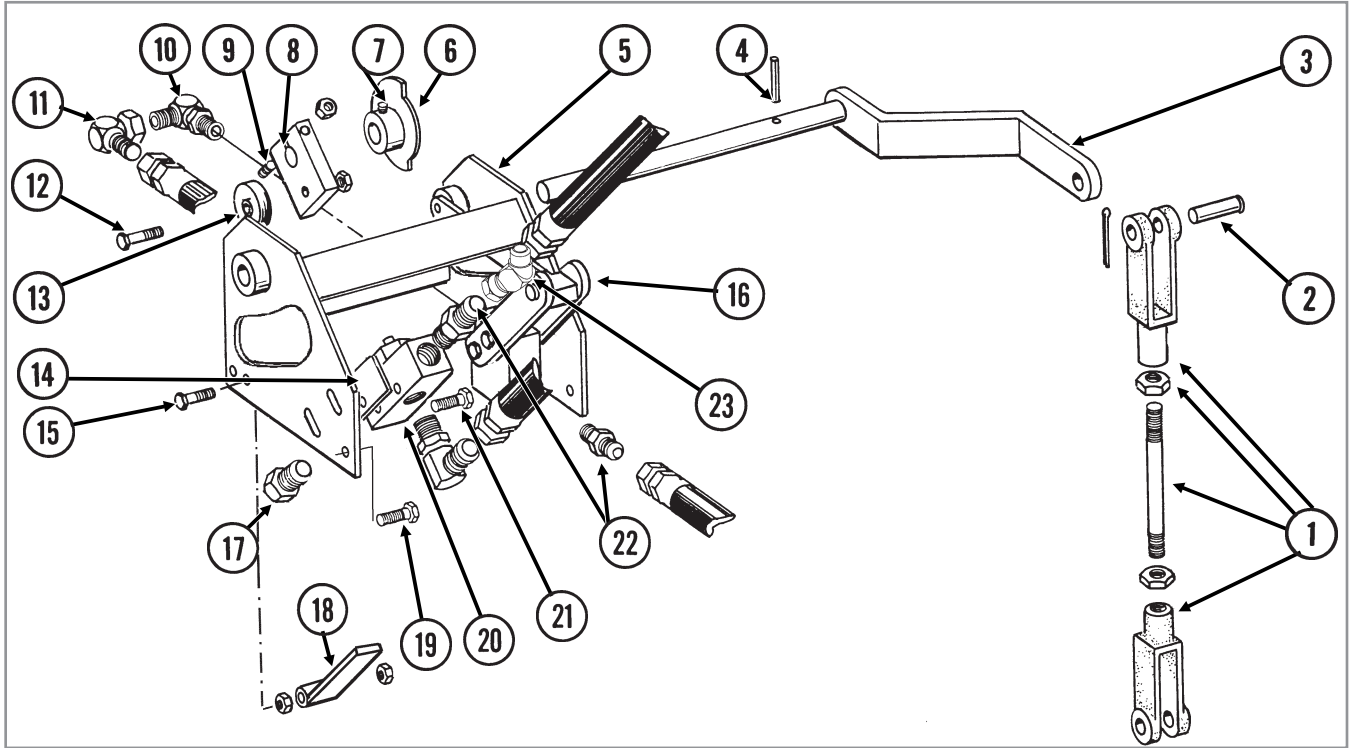
ITEM	PART NO.	QTY.	DESCRIPTION
1	GD9467	4	Cap
2	GD9468	2	Bearing Pad
3	GD9465	2	Shim, 3/8"
4	GD9498	12	Shim, 12 Gauge
5	GD10981	2	Shim, 1/4" (As Required)
6	GA6655	2	Retainer Pad
7	G10007	24	Hex Head Cap Screw, 5/8"-11 x 1 1/2"
8	G10230	24	Lock Washer, 5/8"
9	G10763	4	Grease Fitting, Extended, 1/8"-27

(IP1158)



ITEM	PART NO.	QTY.	DESCRIPTION
1	---	2	<a href="#">See "Slave Cylinder" on page P84</a>
2	GD12585	2	Pin, 1¼" x 4½"
	G10460	4	Cotter Pin, ¼" x 2"
3	GA8971	2	Cylinder Lockup Bracket W/Pin Assembly
	GA8963	1	Cylinder Lockup
4	GA8312	1	Pin W/Lynch Pin, 5½"
5	GD12545	2	Pin, 1¼" x 5½"
	G10982	4	HD External Retaining Ring, 1"
6	GD12535	4	Special Bushing, 2" O.D. x 1" I.D. x ¾" Long
7	*A12531	-	Axle Mount ( <b>Non-Stock Item</b> )
8	---	1	<a href="#">See "Valve Block on Tower Assembly" on page P93</a>
	G10324	2	Hex Head Cap Screw, ⅜"-16 x 3¾"
9	GD9468	8	Bearing Pad
10	GD9498	32	Shim, 12 Gauge
11	GA12595	4	Retainer
	G10231	24	Lock Washer, ¾"
	G10215	112	Machine Bushing, ¾", 14 Gauge
	G10025	24	Hex Head Cap Screw, ¾"-10 x 1½"
12	GD9465	8	Shim, ⅜"
13	GD10981	8	Shim, ¼"
14	GA6655	8	Retainer Pad
15	GD18328	4	Retainer, 8" x 18¾"
	G10763	16	Grease Fitting, Extended, ⅜"-27
	G10105	16	Hex Nut, ¾"-10
	G10028	16	Hex Head Cap Screw, ¾"-10 x 3"
	G10231	24	Lock Washer, ¾"
	G10025	8	Hex Head Cap Screw, ¾"-10 x 1½"

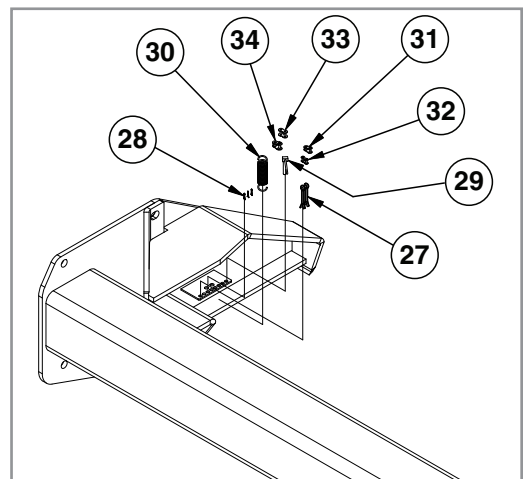
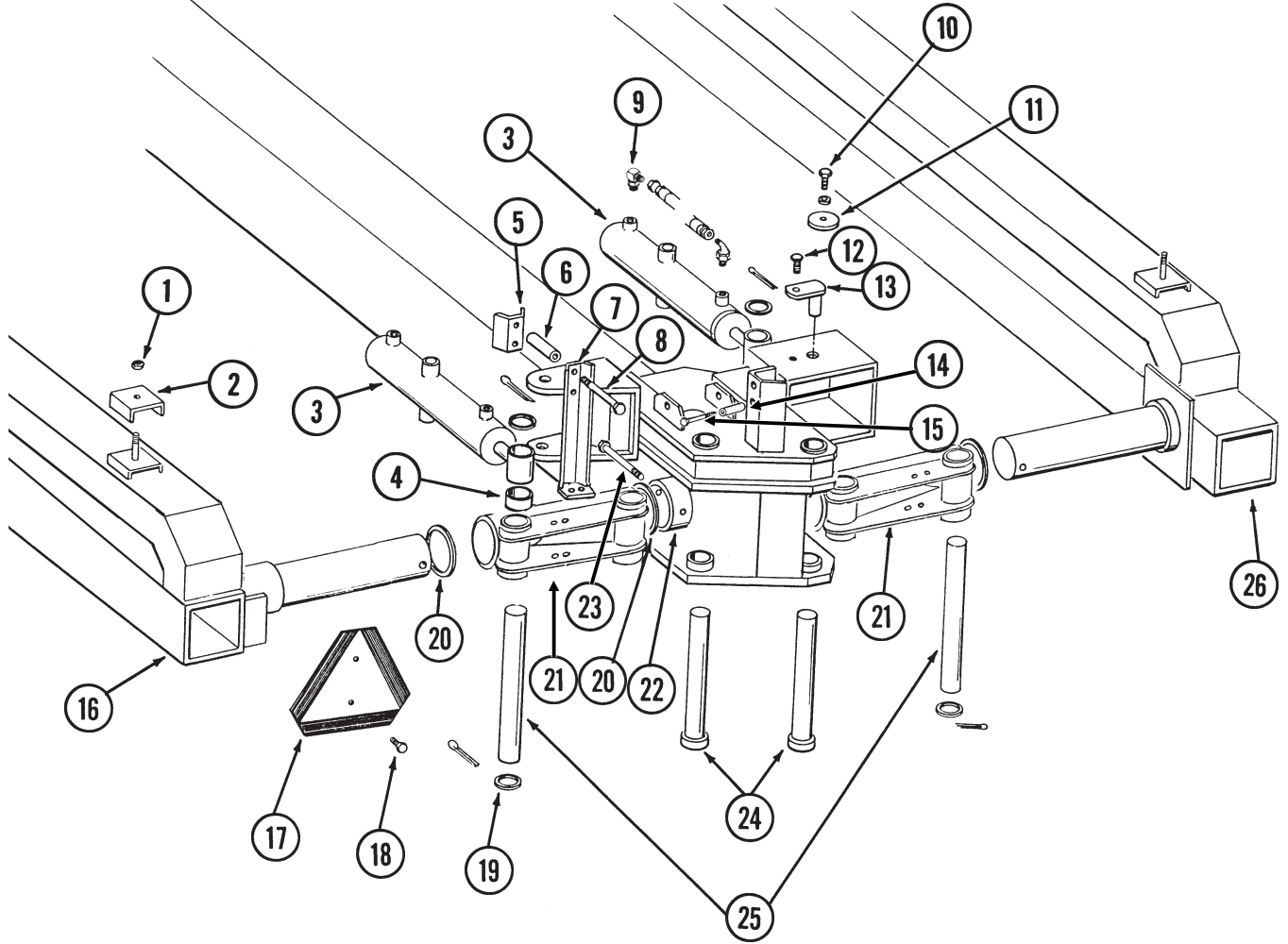
(FF8g)



ITEM	PART NO.	QTY.	DESCRIPTION
1	GA6646	1	Rod Assembly
	GD8218	-	Yoke
	GD9499	-	Stud
	G10104	-	Hex Nut, 5/8"-11
2	G10560	2	Clevis Pin, 1/2" x 1 3/4"
	G10451	2	Cotter Pin, 1/8" x 1"
3	GA6685	1	Cam Activator
4	G10606	1	Spring Pin, 1/4" x 2"
5	GA6687	1	Housing
6	GA6686	1	Cam
7	G10120	2	Hex Socket Set Screw, 3/8"-16 x 1/2"
8	GD9511	1	Detent Arm
9	G10048	1	Hex Head Cap Screw, 3/8"-16 x 2"
	G10108	1	Lock Nut, 3/8"-16
10	G6801-10-08	1	Elbow W/O-Ring, 90°, 7/8"-14 Male JIC To 3/4"-16 O-Ring
	GR1037	-	O-Ring
11	G6500-10	1	Swivel Elbow, 90°, 7/8"-14 Male JIC To Female
12	G10009	1	Hex Head Cap Screw, 5/8"-11 x 2 1/2"
	G10107	1	Lock Nut, 5/8"-11
13	GA2014	1	Bearing
14	GD10714	-	Spacer
15	G10048	1	Hex Head Cap Screw, 3/8"-16 x 2"
	G10101	2	Hex Nut, 3/8"-16
16	---	-	<a href="#">See "Detent Lever Valve" on page P99</a>
17	G6408-08	1	Plug W/O-Ring, 3/4"-16 O-Ring
	GR1037	-	O-Ring
18	GA7153	1	Stroke Limiter Arm (If Applicable)
19	G10004	4	Hex Head Cap Screw, 3/8"-16 x 1 1/4"
	G10229	4	Lock Washer, 3/8"
	G10101	4	Hex Nut, 3/8"-16
20	---	-	<a href="#">See "Stroke Limiter Valve" on page P100</a>
21	G10069	2	Hex Head Cap Screw, 5/16"-18 x 2 1/4"
	G10109	2	Lock Nut, 5/16"-18
	G11386	2	Flat Washer, 5/16" SAE
22	G6400-10-08	1	Connector W/O-Ring, 7/8"-14 Male JIC To 3/4"-16 O-Ring
	GR1037	-	O-Ring
23	G6502-10	-	Swivel Elbow, 45°, 7/8"-14 Male JIC To Female

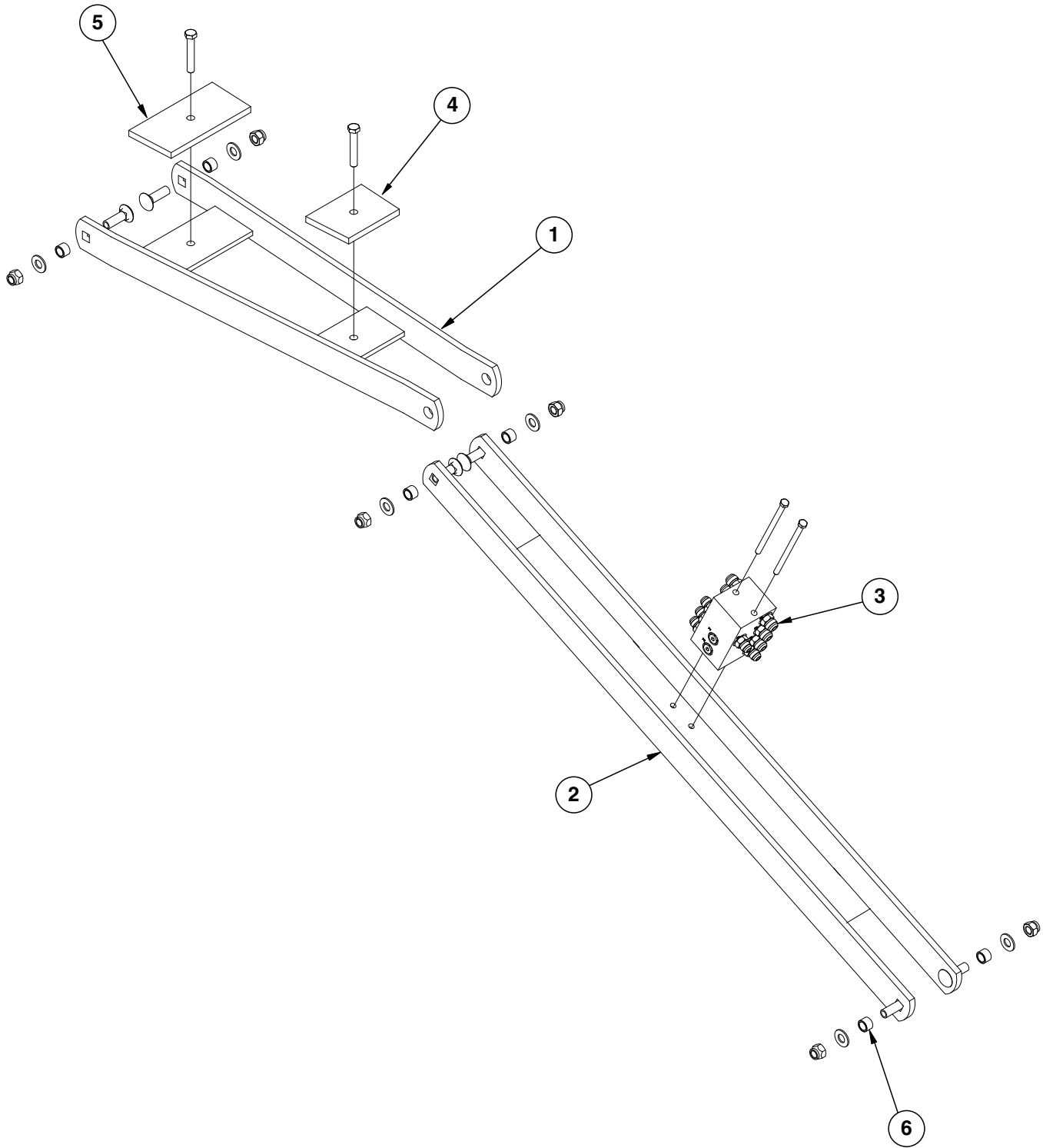


PFA062/PFA052(FF9c)



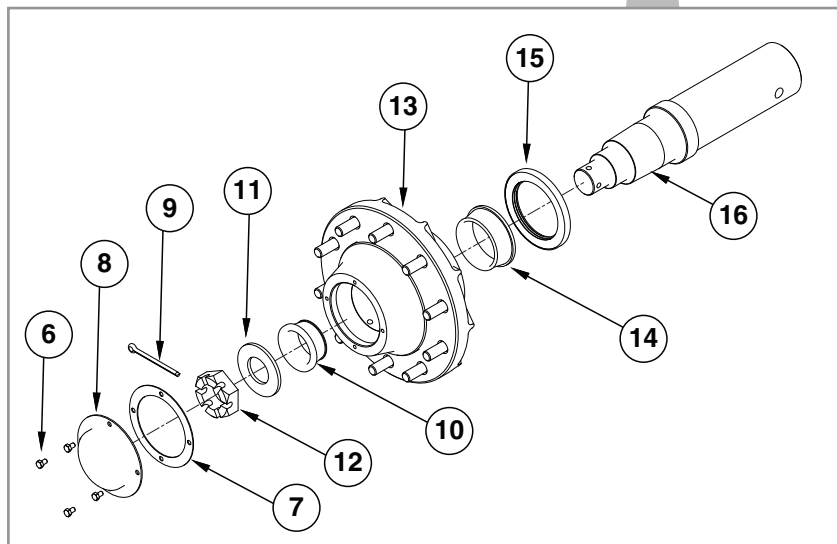
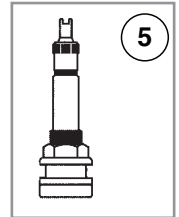
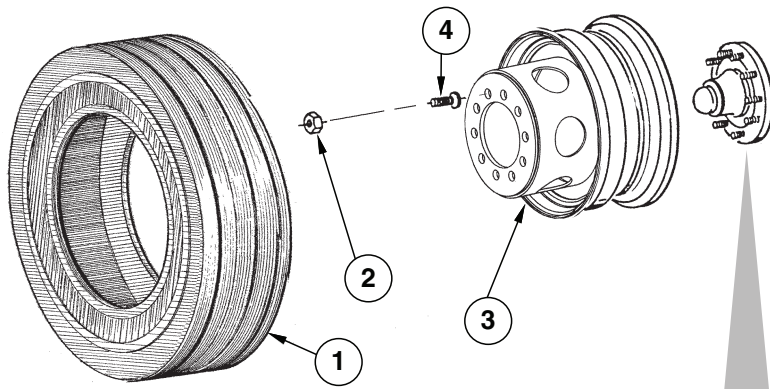
ITEM	PART NO.	QTY.	DESCRIPTION
1	G10111	-	Lock Nut, 1/2"-13
2	GD0740	18	Hose Clamp, 3/4" x 4" x 3 1/2"
	GD0776	2	Hose Clamp, 3/4" x 2" x 2 1/2"
3	---	-	<a href="#">See "Helper Cylinder" on page P87</a>
4	GD9727	2	Spacer
5	GD9361	2	Hose Guide
6	GD3180-13	4	Sleeve, 5/8" I.D. x 7/8" O.D. x 4" Long
7	GA6640	1	Bracket
8	G10011	2	Hex Head Cap Screw, 5/8"-11 x 5 1/2"
	G10230	2	Lock Washer, 5/8"
	G10104	2	Hex Nut, 5/8"-11
9	G6801-06-08	4	Elbow W/O-Ring, 90°, 9/16"-18 Male JIC To 3/4"-16 O-Ring
	GR1037	-	O-Ring
10	G10026	2	Hex Head Cap Screw, 3/4"-10 x 2"
	G10231	2	Lock Washer, 3/4"
11	GD9516	2	Pivot Washer
12	G10017	4	Hex Head Cap Screw, 1/2"-13 x 1 1/2"
	G10228	4	Lock Washer, 1/2"
	G10102	4	Hex Nut, 1/2"-13
13	GA6761	4	Pin
14	GD3180-06	2	Sleeve, 5/8" I.D. x 7/8" O.D. x 1 3/4" Long
15	G10013	2	Hex Head Cap Screw, 5/8"-11 x 3 1/2"
	G10036	-	Hex Head Cap Screw, 5/8"-11 x 4"
	G10230	2	Lock Washer, 5/8"
	G10104	2	Hex Nut, 5/8"-11
16	GA9031	1	L.H. Wing, 360"
17	GD2199	1	SMV Sign
18	G10022	2	Hex Head Cap Screw, 1/4"-20 x 1/2"
	G10227	2	Lock Washer, 1/4"
	G10103	2	Hex Nut, 1/4"-20
19	G10360	4	Machine Bushing, 2 1/2", 10 Gauge
20	GD9462	6	Washer
21	GA8138	-	Knuckle
	G10640	3	Grease Fitting, 1/4"-28
22	GD9463	2	Washer
23	G10057	2	Hex Head Cap Screw, 3/4"-10 x 7"
	G10231	2	Lock Washer, 3/4"
	G10105	2	Hex Nut, 3/4"-10
24	GA8994	-	Vertical Pin
	G10360	-	Machine Bushing, 2 1/2", 10 Gauge (As Required)
	G10359	-	Machine Bushing, 2 1/2", 18 Gauge (As Required)
	GD12692	-	Pin, 3/8" x 3 1/2"
25	GD9726	2	Pin, 2 1/2" x 13 1/8"
	G10461	4	Cotter Pin, 3/8" x 3"
26	GA9032	1	R.H. Wing, 357"
27	G10460	2	Cotter Pin, 1/4" x 2" (Toolbox)
	G10670	3	Hair Pin Clip, No. 3 (Toolbox)
28	G10455	3	Cotter Pin, 1/16" x 1/2" (Toolbox)
	G10478	2	Clevis Pin, 5/16" x 1" (Toolbox)
29	GD2558	1	Lynch Pin, 1/4" (Toolbox)
	G10821	3	Clevis Pin, 3/16" x 2" (Toolbox)
30	GD5857	1	Spring (Toolbox)
31	GR0201	1	Offset Link, No. 41 (Toolbox)
32	GR0196	1	Connector Link, No. 41 (Toolbox)
33	GR0912	1	Connector Link, No. 40 (Toolbox)
34	GR0911	1	Offset Link, No. 40 (Toolbox)

(IP1155a)



ITEM	PART NO.	QTY.	DESCRIPTION
1	GA6656	1	Front Hose Take-Up
2	GA6657	1	Rear Hose Take-Up
3	---	1	<a href="#">See "Junction Block on Hose Take-Up" on page P98</a>
	G10937	2	Hex Head Cap Screw, $\frac{3}{8}$ "-16 x 6 $\frac{1}{2}$ "
	G11091	2	Serrated Flange Nut, $\frac{3}{8}$ "-16
4	GD11894	1	Spacer, 4" x 5 $\frac{1}{2}$ "
	G10038	1	Hex Head Cap Screw, $\frac{1}{2}$ "-13 x 3"
	G10111	1	Lock Nut, $\frac{1}{2}$ "-13
5	GD11895	1	Spacer, 4" x 8 $\frac{1}{4}$ "
	G10038	1	Hex Head Cap Screw, $\frac{1}{2}$ "-13 x 3"
	G10111	1	Lock Nut, $\frac{1}{2}$ "-13
6	GB0218	6	Bushing, 2 $\frac{1}{32}$ " I.D. x $\frac{7}{8}$ " O.D. x 1 $\frac{9}{32}$ " Long
	G11391	6	Flat Washer, $\frac{5}{8}$ " SAE
	G10689	6	Carriage Bolt, $\frac{5}{8}$ "-11 x 2"
	G10107	6	Lock Nut, $\frac{5}{8}$ "-11

(FF11d/A7434)

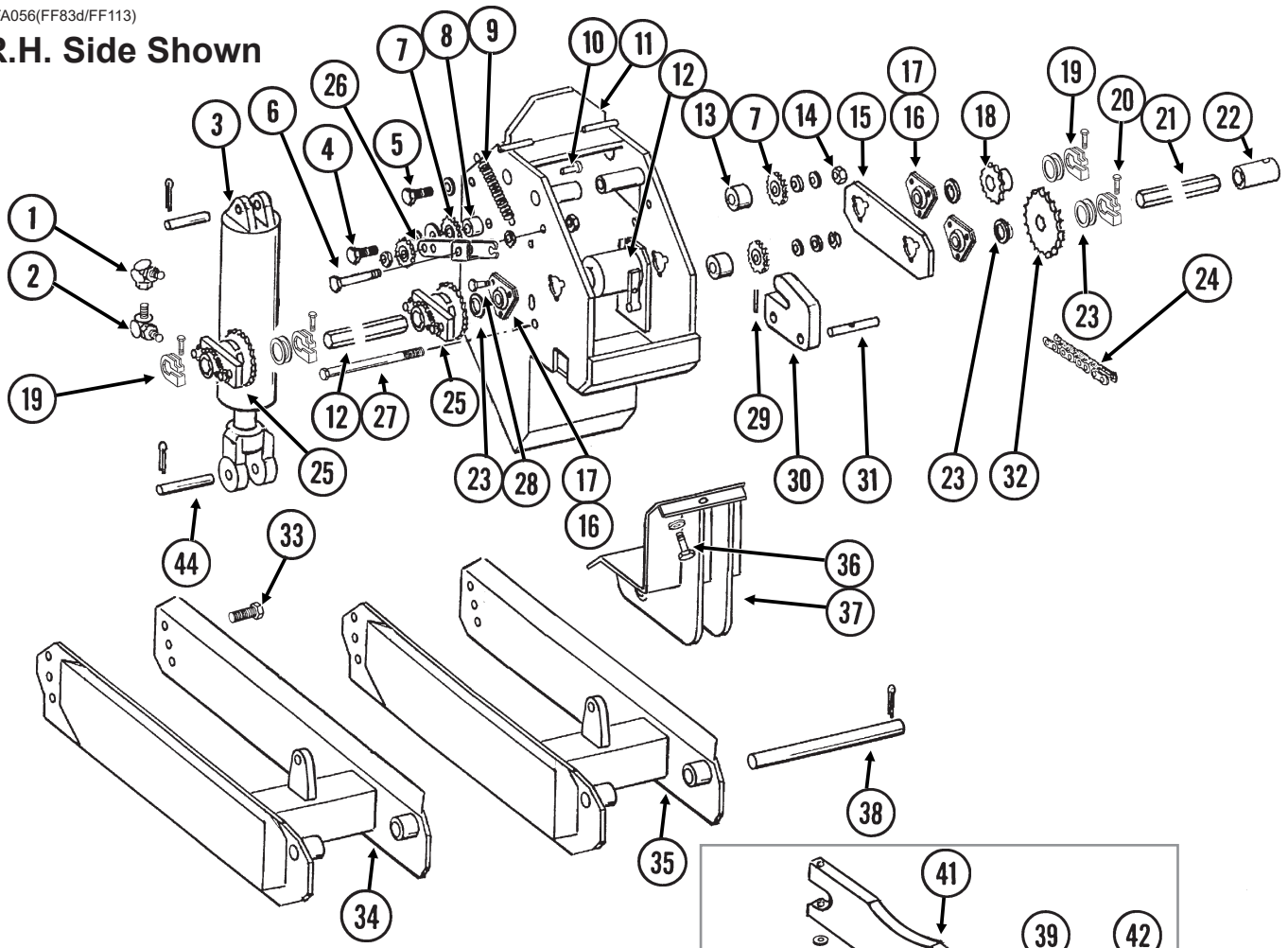


ITEM	PART NO.	QTY. (Per Assy.)	DESCRIPTION
1	GD13352	-	Tire, 36" x 16" x 17.5", 14 Ply, Tubeless (Specify Brand*)
2	GD9509	10	Outer Budd Nut
3	GA6738	-	Rim, 16" Deep
4	GD12567	10	Inner Budd Nut, 2 <sup>5</sup> / <sub>8</sub> " Long
5	GA7434	1	Valve Stem
6	G10054	4	Hex Head Cap Screw, 5/ <sub>16</sub> "-18 x 1/2"
7	GR2077	1	Hub Cap Gasket
8	GR2078	1	Hub Cap
9	GR2076	1	Cotter Pin, 5/ <sub>16</sub> " x 4"
10	GR2072	1	Bearing Cone
11	GR2074	1	Washer, 4" x 2 <sup>1</sup> / <sub>16</sub> " x 1/4"
12	GR2075	1	Spindle Nut, 2 <sup>1</sup> / <sub>2</sub> "
13	GA16871	1	Hub W/Cups, Grease Fitting, and Stud Bolts (10 Bolt)
	GR2067	-	Bearing Cup
	GR2068	-	Bearing Cup
	GR2069	-	Stud Bolt, 3/ <sub>4</sub> "-16 x 2 <sup>3</sup> / <sub>4</sub> "
	GR2070	-	Self Tapping Grease Fitting, 1/ <sub>8</sub> "-27
14	GR2071	1	Bearing Cone
15	GR2073	1	Grease Seal
16	GD24448	1	Spindle

\* Specific brand requests will be supplied only as available from current Kinze Repair Parts stock. If a specific brand requested is not in stock, the brand available will be supplied.

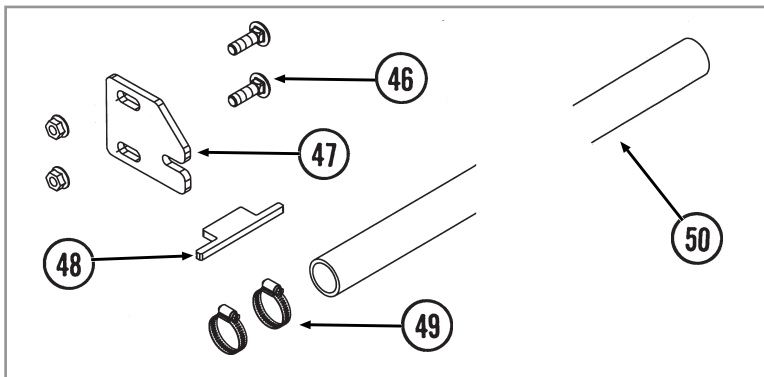
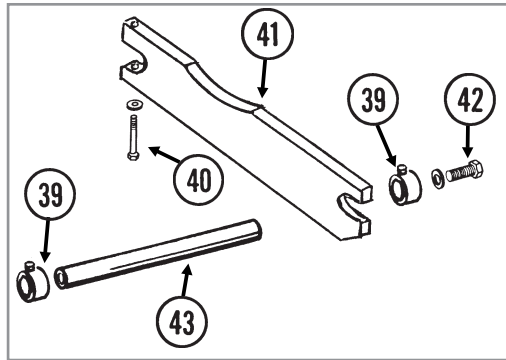
PFA056(FF83d/FF113)

R.H. Side Shown



Long Wheel Arm

Short Wheel Arm



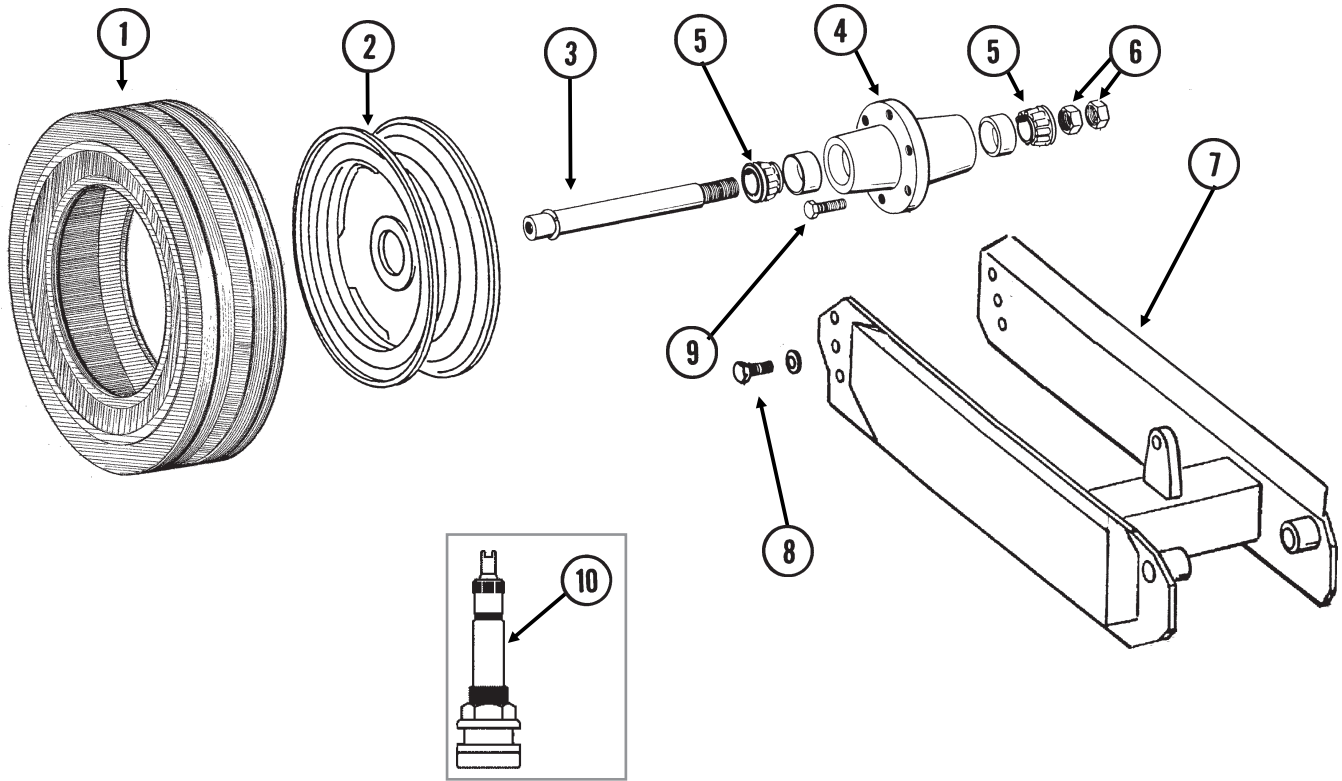
ITEM	PART NO.	QTY. (Per Machine)	DESCRIPTION
1	G6502-08	8	Swivel Elbow, 45°, ¾"-16 Male JIC To Female
2	G6801-08 GR1037	8 -	Elbow W/O-Ring, 90°, ¾"-16 Male JIC To O-Ring O-Ring
3	---	-	<a href="#">See "Master Cylinder" on page P84</a>
4	G10397 G11389 G10111	4 4 4	Hex Head Cap Screw, ½"-13 x 2¾" Flat Washer, ½" SAE Lock Nut, ½"-13
5	---	-	<a href="#">See "Contact Wheel Assembly" on page P64</a>
6	G10036 G10918 G10104 G10107	4 8 4 4	Hex Head Cap Screw, ⅝"-11 x 4" Machine Bushing, ⅝", 14 Gauge (If Applicable) Hex Nut, ⅝"-11 Lock Nut, ⅝"-11
7	GA7154	8	Sprocket W/Bearing, 18 Tooth
8	GB0258	4	Stepped Spacer, ⅞"
9	GD5857	4	Spring
10	G10860 G10166	4 4	Retaining Ring, ⅜" Clevis Pin, ⅜" x 1½"
11	*A20273	-	Wheel Tower ( <b>Non-Stock Item</b> )
12	---	-	<a href="#">See "Point Row Clutch" on page P66</a>
13	GD10637	8	Stepped Spacer, ½"
14	G10053 G10235 G10228 G10102	8 16 8 8	Hex Head Cap Screw, ½"-13 x 2½" Machine Bushing, ⅞", 14 Gauge Lock Washer, ½" Hex Nut, ½"-13
15	GD9482	2	Plate
16	G2100-03	-	Bearing, ⅞" Hex Bore, Spherical
17	G3400-01	-	Flangette
18	GA5113 GA5107	- -	Sprocket, 28 Tooth Sprocket, 19 Tooth
19	GD11045	-	Lock Clamp
20	G10130 G10923	- -	Square Head Machine Bolt, ⅝"-18 x 1¾" Flange Nut, ⅝"-18, No Serration
21	G10141001	1	Hex Shaft, 7/8" x 91"
22	---	-	<a href="#">See "Seed Rate Transmission and Driveline" on page P74</a>
23	G10233	-	Machine Bushing, 1", 10 Gauge (As Required)
24	G3310-82 GR0912	- -	Chain, No. 40, 82 Pitch Including Connector Link Connector Link, No. 40
25	---	2	<a href="#">See "Ratchet/Sprocket Assembly" on page P73</a>
26	GA9554 GA7154 G10017 G10128 G10501	4 - - - -	Idler W/Sprocket And Hardware, R.H. Sprocket W/Bearing, 18 Tooth Hex Head Cap Screw, ½"-13 x 1½" Machine Bushing, ½", 14 Gauge Hex Jam Nut, ½"-13, Grade 2
27	G10595 G10875 G11387 G10108	2 2 4 2	Hex Head Cap Screw, ⅝"-16 x 10" Hex Head Cap Screw, ⅝"-16 x 11" Flat Washer, ⅜" SAE Lock Nut, ⅜"-16
28	G10338 G10303 G10232 G10106	6 18 24 24	Carriage Bolt, ⅝"-18 x 1¼" Carriage Bolt, ⅝"-18 x 1" Lock Washer, ⅝" Hex Nut, ⅝"-18

Continued on the next page.



ITEM	PART NO.	QTY. (Per Machine)	DESCRIPTION
29	G10606	4-6	Spring Pin, 1/4" x 2"
30	GD9514	4-6	Cylinder Pivot Mount
31	GD9515	4-6	Cylinder Anchor Pin, 1" x 6"
32	GA5194	-	Sprocket, 50 Tooth
33	---		<a href="#">See "Ground Drive Tire Assembly" on page P63</a>
34	GA18348	-	Long Wheel Arm W/Grease Fitting (Inner)
	G10640	-	Grease Fitting, 1/4"-28
35	GA8714	-	Short Wheel Arm W/Grease Fitting (Outer)
	G10640	-	Grease Fitting, 1/4"-28
36	G10006	-	Hex Head Cap Screw, 5/8"-11 x 2 1/4"
	G11391	-	Flat Washer, 5/8" SAE
	G10230	-	Lock Washer, 5/8"
	G10104	-	Hex Nut, 5/8"-11
37	GA7324	4	Bracket W/Grease Fittings
	G10640	-	Grease Fitting, 1/4"-28
38	GD11695	4-6	Pin, 1 1/4" x 1 3/4"
	G10610	8-12	Spring Pin, 3/8" x 2"
39	GD10686	-	Special Lock Collar, Less Set Screws
	G10145	-	Square Head Set Screw, 5/16"-18 x 1/2"
40	G10035	-	Hex Head Cap Screw, 1/2"-13 x 4"
	G10228	-	Lock Washer, 1/2"
41	GD10316	-	Plate, Special Row Spacing Only
42	G10017	-	Hex Head Cap Screw, 1/2"-13 x 1 1/2"
	G10228	-	Lock Washer, 1/2"
43	GD10317	-	Shaft, Special Row Spacing Only
44	GD12585	8-10	Pin, 1 1/4" x 4 1/2"
	G10460	16-20	Cotter Pin, 1/4" x 2"
45	---	-	---
46	G10599	2	Carriage Bolt, 3/8"-16 x 1 1/4"
	G10622	2	Serrated Flange Nut, 3/8"-16
47	GD17023	1	Plate
48	GD14115	1	Catch
49	G10278	2	Hose Clamp, No. 16
50	GD13652-02	1	Pipe, 1" x 50"
A	G1K269	-	Lock Clamp Kit (Items 19 And 20)

PFA056/PTD057(FF13e/A7434)

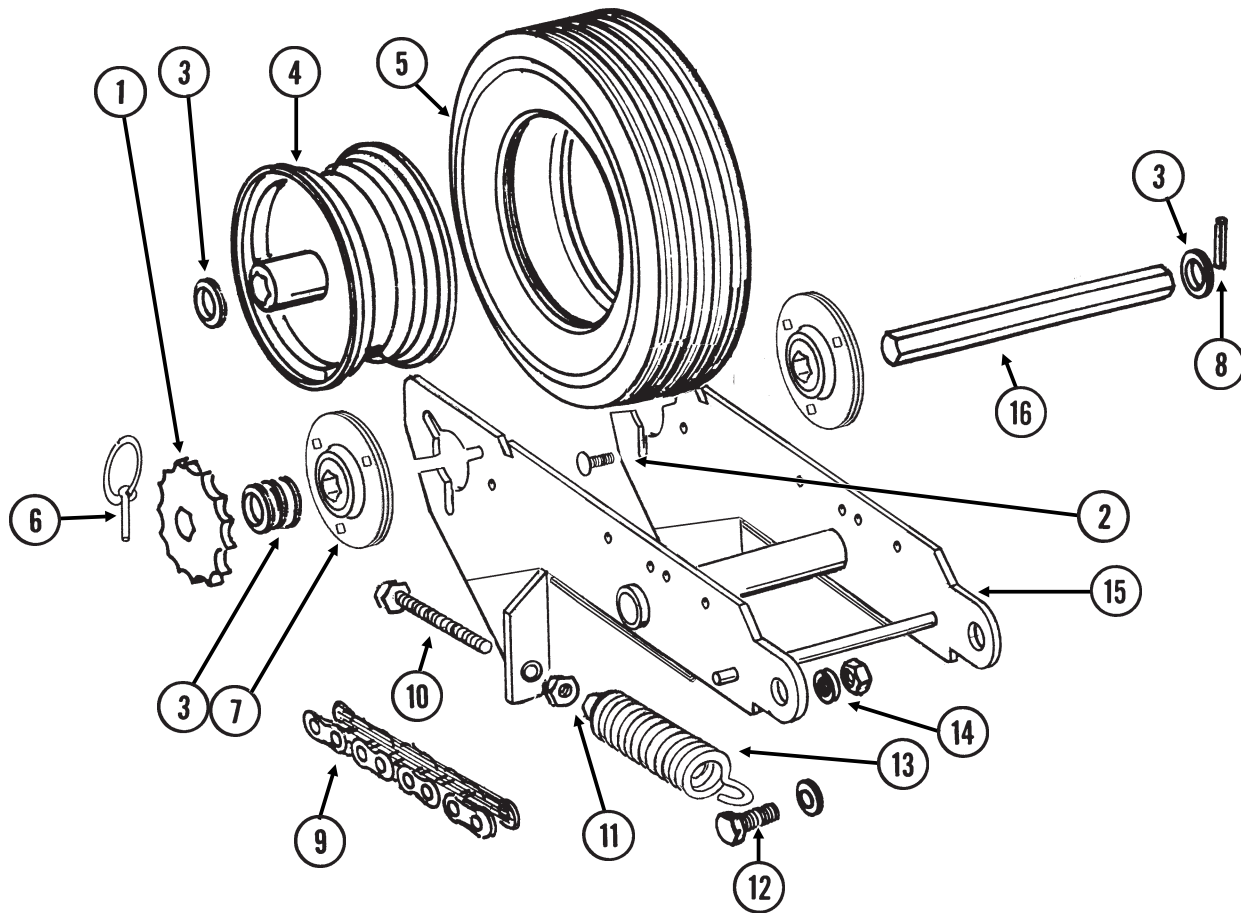


ITEM	PART NO.	QTY. (Per Assy.)	DESCRIPTION
1	GD13409	-	Tire, 255-70R 22.5" W/O Center Rib, Tubeless (Specify Brand*)
2	GA9619	-	Rim, 5.5" x 22.5"
3	GA4376	1	Spindle W/Round External Retaining Ring, 10"
	GD11490	-	Round External Retaining Ring
	GD11458	-	Spindle (Sub GA4376)
4	GA24826	1	Hub W/Cups, 6 Bolt
	GR0434	-	Cup
5	GA24825	2	Bearing
6	G11081	2	Hex Jam Nut, 1½"-12, Grade 2
7	---	-	<a href="#">See "Wheel Module Assembly" on page P60</a>
8	G10026	2	Hex Head Cap Screw, ¾"-10 x 2"
	G10231	2	Lock Washer, ¾"
9	GR0270	6	Lug Bolt, ⅝"-18
10	GA7434	-	Valve Stem

A	GA9620	-	Tire And Rim Assembly W/O Center Rib (Items 1, 2 And 10) (Specify Brand*)
B	GA24828	-	Hub And Spindle Assembly (Items 3-6)

\*Specific brand requests will be supplied only as available from current Kinze Repair Parts stock. If a specific brand requested is not in stock, the brand available will be supplied.

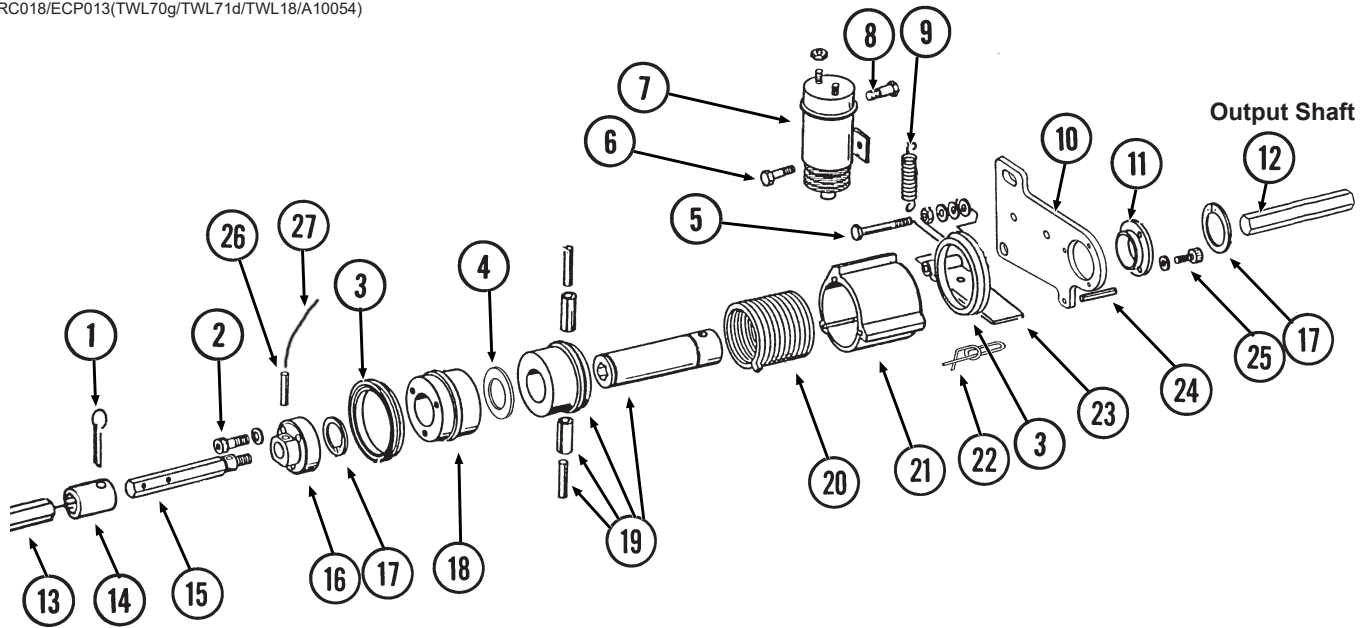
(FF43e)



ITEM	PART NO.	QTY. (Per Assy.)	DESCRIPTION
1	GA12192	1	Sprocket, 22 Tooth
	GA5113	-	Sprocket, 28 Tooth
	GA12191	-	Sprocket, 44 Tooth
	GA5105	-	Sprocket, 15 Tooth
2	G10303	6	Carriage Bolt, 5/16"-18 x 1"
	G10620	6	Serrated Flange Nut, 5/16"-18
3	G10233	-	Machine Bushing, 1", 10 Gauge (As Required)
4	GA3553	1	Rim, 3.75" x 8"
	GD6989	1	Sleeve
5	GD4700	1	Tire, 4.80" x 8", 4 Ply, Rib Implement (Specify Brand*)
	GD4701	-	Valve Stem
6	GD2558	1	Lynch Pin, 1/4"
7	GA9846	2	Flanged Bearing, 7/8" Hex Bore
8	G10602	2	Spring Pin, 1/4" x 1 1/2"
9	G3310-148	1	Chain, No. 40, 148 Pitch Including Connector Link (Used With 22 Tooth Sprocket)
	G3310-150	1	Chain, No. 40, 150 Pitch Including Connector Link (Used With 28 Tooth Sprocket)
	G3310-158	1	Chain, No. 40, 158 Pitch Including Connector Link (Used With 44 Tooth Sprocket)
	G3310-144	1	Chain, No. 40, 144 Pitch Including Connector Link (Used With 15 Tooth Sprocket)
	GR0912	-	Connector Link, No. 40
10	G10890	2	Hex Head Adjusting Bolt, 1/2"-13 x 4", Grade 2
11	G10501	2	Hex Jam Nut, 1/2"-13, Grade 2
12	G10008	2	Hex Head Cap Screw, 5/8"-11 x 2"
	G10235	4	Machine Bushing, 7/8", 14 Gauge
	G11391	2	Flat Washer, 5/8" SAE
	G10107	2	Lock Nut, 5/8"-11
13	GA2068	2	Spring W/Plug
14	GB0218	2	Bushing, 2 1/32" I.D. x 7/8" O.D. x 1 9/32" Long
15	GA7372	1	Wheel Arm
16	GD6775	1	Hex Shaft, 7/8" x 11 3/4" (2 Holes)
A	GA3552	-	Tire And Rim Assembly (Items 4 And 5) (Specify Brand*)

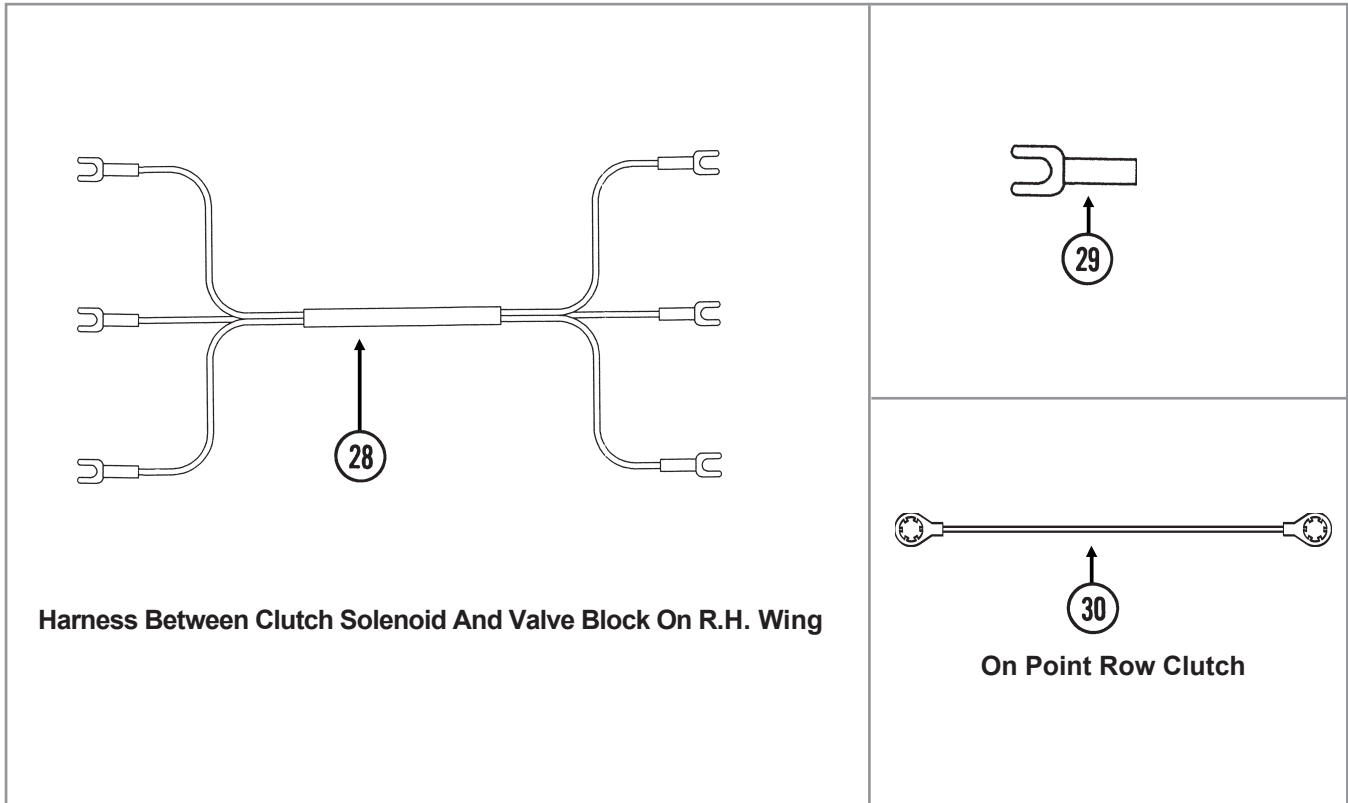
\* Specific brand requests will be supplied only as available from current Kinze Repair Parts stock. If a specific brand requested is not in stock, the brand available will be supplied. Different brand tires may have different diameters. Change in tire brand may affect rates. Field checks are recommended after any change in contact tires.

PRC018/ECP013(TWL70g/TWL71d/TWL18/A10054)

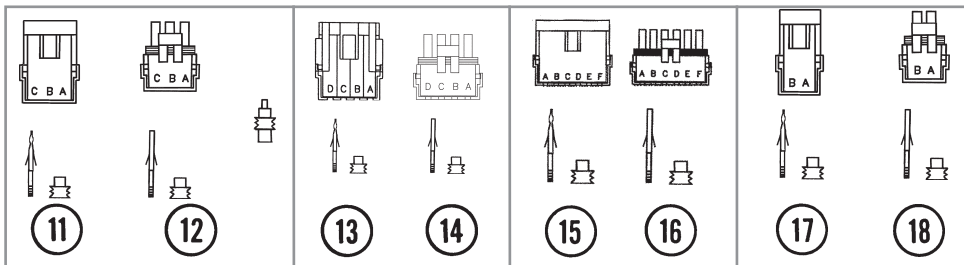
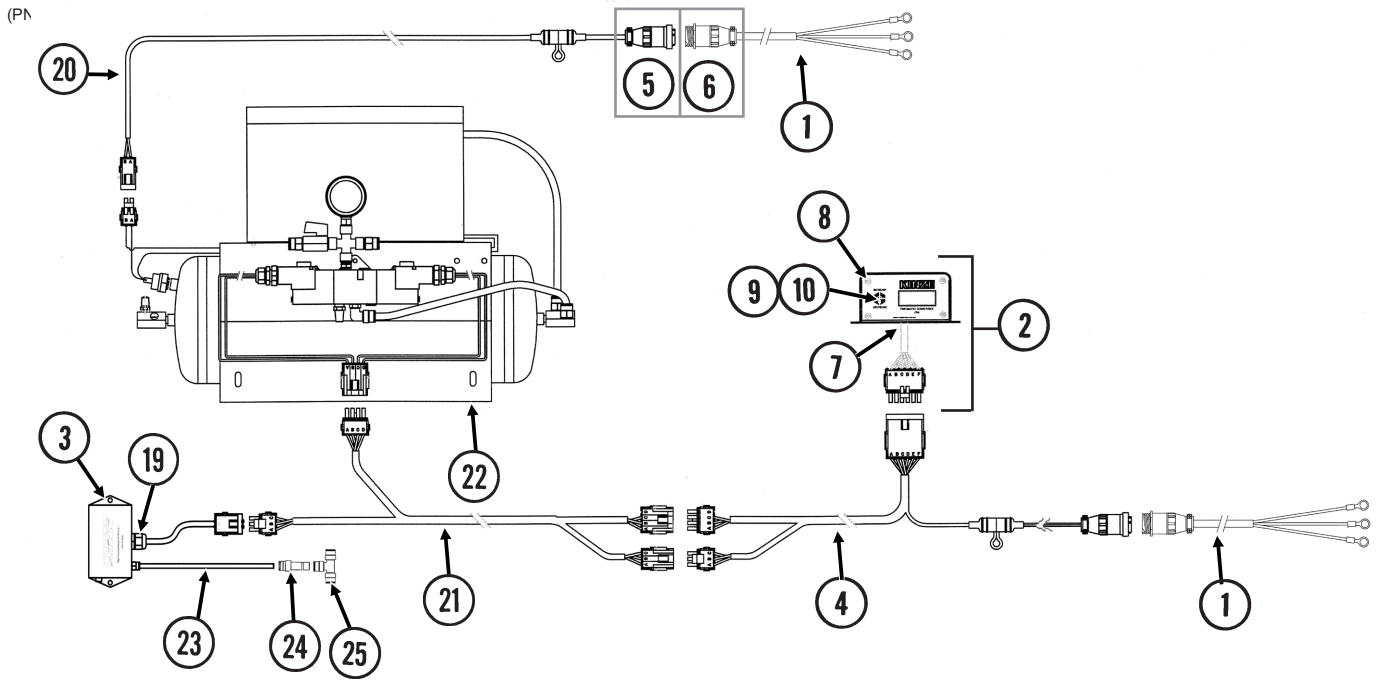


Input Shaft

Output Shaft



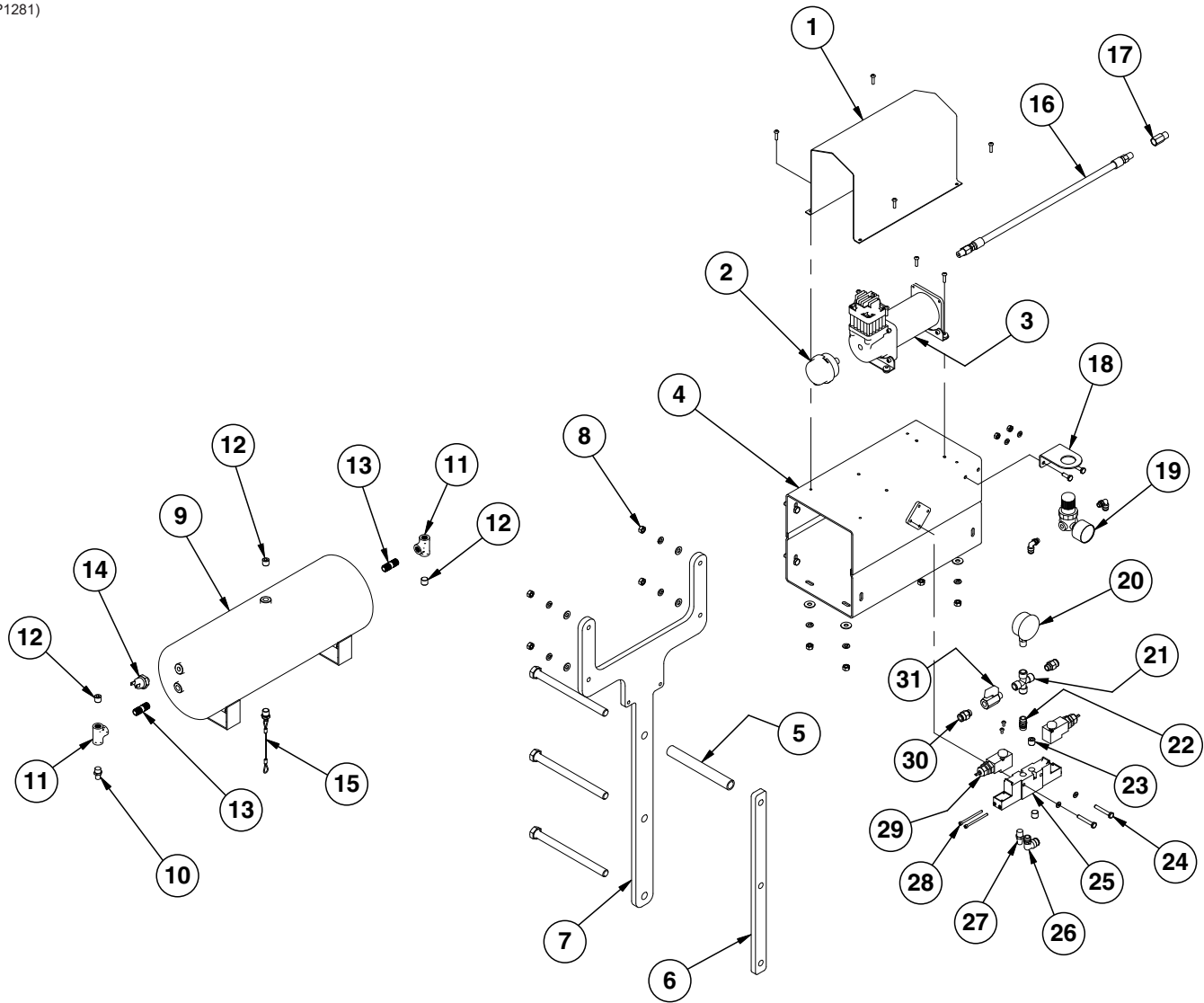
ITEM	PART NO.	QTY. (Per Assy.)	DESCRIPTION
1	G10460	1	Cotter Pin, 1/4" x 2"
2	G10374	3	Hex Socket Head Cap Screw, 1/4"-20 x 1"
	G10227	3	Lock Washer, 1/4"
3	GD14512	2	V-Ring Seal
4	GD14513	1	Felt Washer
5	G10049	1	Hex Head Cap Screw, 3/8"-16 x 2 1/2"
	G10101	1	Hex Nut, 3/8"-16
	G11387	1	Flat Washer, 3/8" SAE
	G10229	2	Lock Washer, 3/8"
	G10497	1	Hex Jam Nut, 3/8"-16, Grade 2
6	G10023	1	Hex Head Cap Screw, 1/4"-20 x 3/4"
	G10227	1	Lock Washer, 1/4"
	G10103	1	Hex Nut, 1/4"-20
7	GA8393	1	Solenoid Complete
	GR1306	1	Snap Ring
	GR1303	1	Spring
	GR1304	1	Boot
	GR1305	1	Plunger
8	G10900	1	Hex Socket Head Cap Screw, 1/4"-20 x 1 3/4", Grade 8
	G10227	1	Lock Washer, 1/4"
	G10103	2	Hex Nut, 1/4"-20
9	GD10123	1	Spring
10	GD10103	1	Mounting Plate
11	GD9667	1	Bushing
12	GD0914-10	1	Hex Shaft, 7/8" x 10" (No Holes)
13	GD0914-32	1	Hex Shaft, 7/8" x 32" (No Holes)
14	GD7867	1	Coupler, 3"
15	GD10068	1	Input Shaft, R.H. Threads
16	GD10070	1	Coupler W/R.H. Threads
17	G10496	2	External Inverted Snap Ring, 1 1/2"
18	GD10104	1	Input Hub
19	GA7137	1	Hub/Sleeve Assembly W/Spring Pins
	G10765	-	Spring Pin, 1/4" x 1"
	G10804	-	Spring Pin, 5/32" x 7/8"
20	GD9671	-	Spring, L.H.
21	GD10102	1	Stop Collar
22	GD11120	1	Rue Ring Cotter, 5/16"
23	GD10510	1	Actuator Arm
24	G10859	1	Spring Pin, 3/16" x 2 1/4"
25	G10253	3	Hex Socket Head Screw, No. 10-32 x 1/2"
	G10257	3	Lock Washer, No. 10
26	G10546	1	Spring Pin, 3/16" x 1 1/4"
27	GD13524-01	1	Lock Wire, 10", Stainless Steel
28	GA9479	1	Wiring Harness, 228", R.H. Side Of Machine
	GA9512	-	Wiring Harness, 516", L.H. Side Of Machine
29	G10996	-	Fork Terminal
30	GA10054	-	Ground Cable, Green
A	GA7111	-	Point Row Clutch Assembly, L.H. (Items 2-11, 15-27, and 30)



ITEM	PART NO.	QTY.	DESCRIPTION
1	GA17547	2	Power Lead Adapter
2	GA12644	1	Control Console Assembly
3	GA14846	1	High Pressure Sensor (0-120 PSI)
4	GA12645	1	Wiring Harness W/Fuse Holder And Fuse, 206"
	GD14258	-	Fuse Holder
	GD14660	-	Fuse, 2 Amp Delay Action
5	G1K268	-	Console Cable Connector Kit, Includes: (1) 3-Pin Connector, (1) Cable Clamp, (1) Lock Ring, (3) Female Terminal Pins
6	G1K267	-	Console Cable Connector Kit, Includes: (1) 3-Pin Connector, (1) Cable Clamp, (3) Male Terminal Pins
7	GA9963	1	Strain Relief
8	GR1292	4	Pan Head Screw, No. 8-32 x 1/2"
9	GR1363	1	Hex Face Nut, 1 5/32"-32
10	GA6978	1	Switch, 3 Position Toggle, ON-OFF-ON
11	G1K248	-	3-Pin Female Connector Kit (Black), Includes: (3) 3-Pin Female Housings, (9) Pin Contacts, (9) Seals
12	G1K252	-	3-Pin Male Connector Kit (Black), Includes: (3) 3-Pin Male Housings, (9) Socket Contacts, (9) Seals
13	GA8328	-	4-Pin Female Connector Kit, Includes: (1) 4-Pin Female Housing, (4) Pin Contacts, (4) Seals
14	GA8329	-	4-Pin Male Connector Kit, Includes: (1) 4-Pin Male Housing, (4) Socket Contacts, (4) Seals
15	G1K396	-	6-Pin Female Connector Kit (Black), Includes: (3) 6-Pin Female Housings,(18) Pin Contacts, (18) Seals
16	G1K395	-	6-Pin Male Connector Kit (Black), Includes: (3) 6-Pin Male Housings, (18) Socket Contacts, (18) Seals
17	G1K321	-	2-Pin Female Connector Kit (Black), Includes: (3) 2-Pin Female Housings, (6) Pin Contacts, (6) Seals
18	G1K320	-	2-Pin Male Connector Kit (Black), Includes: (3) 2-Pin Male Housings, (6) Socket Contacts, (6) Seals
19	GA9964	2	Strain Relief
20	GA16391	1	Wiring Harness W/Fuse Holder And Fuse, 40'
	GD14258	-	Fuse Holder
	GD18275	-	Fuse, 20 Amp
21	GA12669	1	Wiring Harness, 40'
22	---	-	<a href="#">See "Air Compressor and Dual Solenoid Assembly" on page P70</a>
23	GD17151-06	1	Nylon Tubing, 1/4" O. D. x 1 1/2'
24	GD18796	1	Reducer, 3/8" To 1/4"
25	GD18010	1	Tee, 3/8" Tube Union



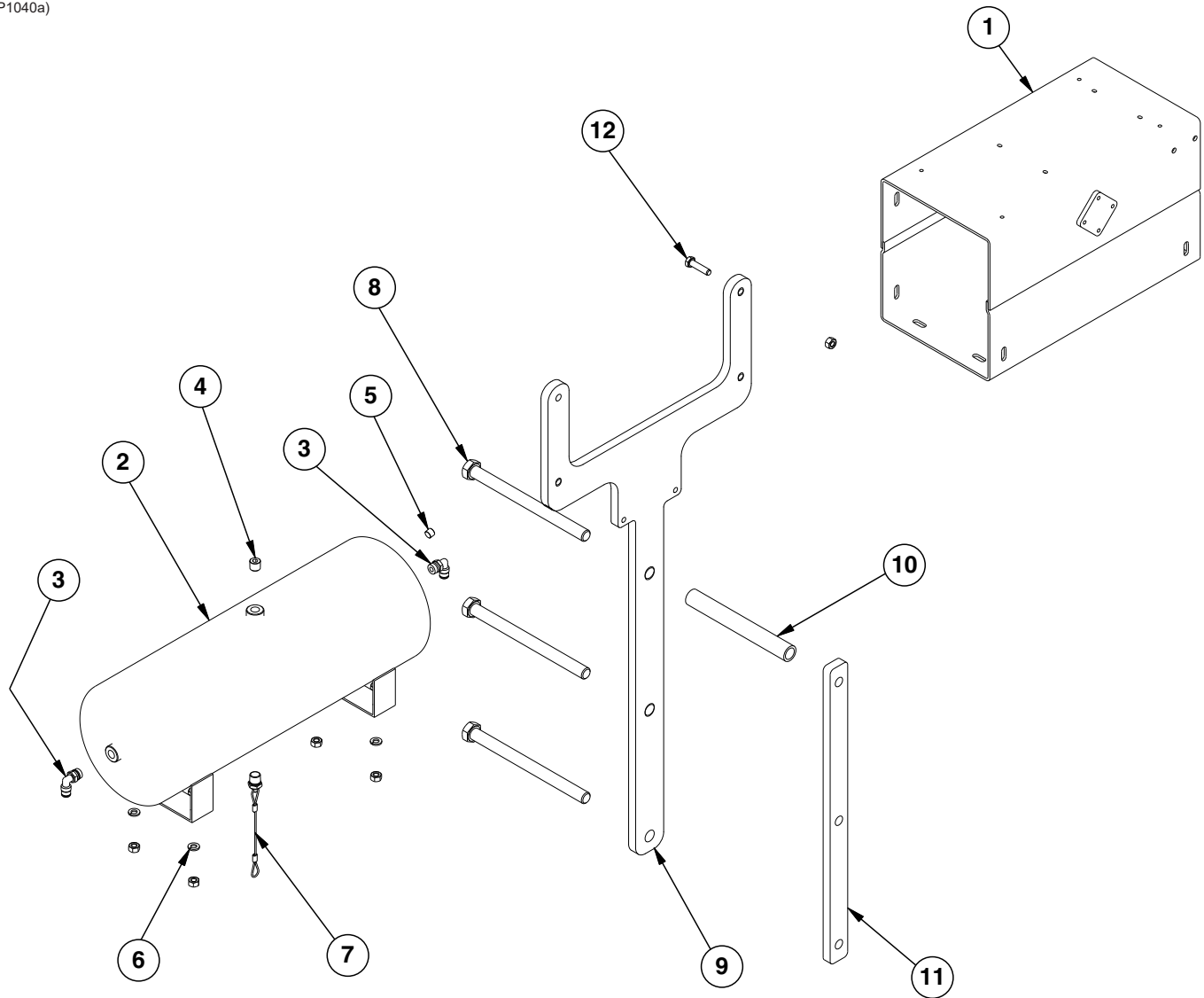
(IP1281)



ITEM	PART NO.	QTY.	DESCRIPTION
1	GD18112	1	Cover
	G11066	4	Phillips Pan Head Machine Screw, No. 10-24 x 3/4", Stainless Steel
	G10992	4	Serrated Flange Nut, No. 10-24
2	GA14127	1	Filter Assembly
	GR1943	-	Filter
3	GA12102	1	Air Compressor
	G11066	4	Phillips Pan Head Machine Screw, No. 10-24 x 3/4", Stainless Steel
	G10992	4	Serrated Flange Nut, No. 10-24
	GR2233		Vibration Isolator Gromet, 4 Pack
4	GA12358	1	Mount
	G10019	4	Hex Head Cap Screw, 5/16"-18 x 1"
	G10232	4	Lock Washer, 5/16"
	G11386	4	Flat Washer, 5/16" SAE
	G10106	4	Hex Nut, 5/16"-18
5	GD3180-33	1	Sleeve, 7"
6	GD18901	1	Tap Block, Long

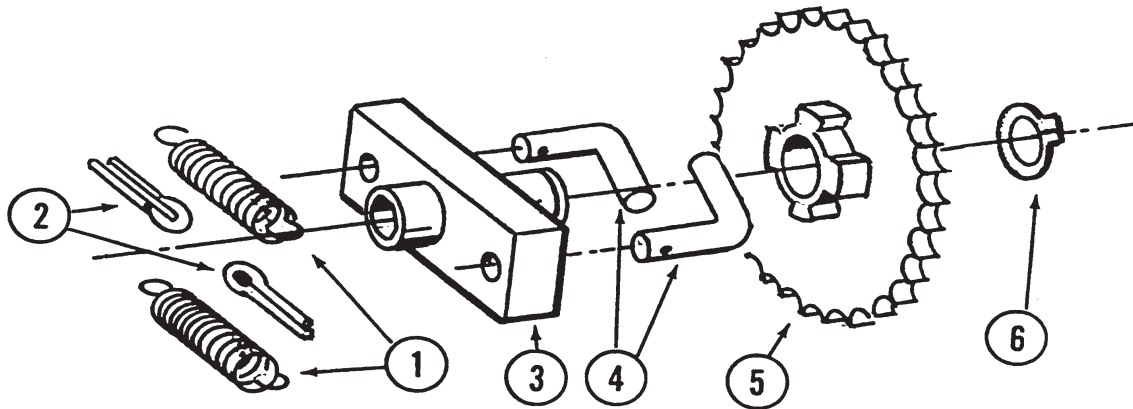
ITEM	PART NO.	QTY.	DESCRIPTION
7	GD20044	1	Compressor Mount
	G10341	3	Hex Head Cap Screw, 5/8"-11 x 8"
8	G10106	4	Hex Nut, 5/16"-18
	G10232	4	Lock Washer, 5/16"
	G11386	4	Flat Washer, 5/16" SAE
	G10171	4	Hex Head Cap Screw, 5/16"-18 x 1 1/4"
9	GA11988	1	Tank, 3 Gallon
10	GA13512	1	Valve Stem, 1/4" NPT
11	GD19237	2	Tee, 1/4" NPT
12	GD17156	3	Plug, 1/4" NPT
13	GD19238	2	Close Nipple, 1/4" NPT
14	GR1778	1	Pressure Switch
15	GA11991	1	Drain, 1/4" NPT
16	GR1951	1	Leader Hose without Check Valve
17	GR1921	1	Check Valve
18	GD18084	1	Regulator Bracket
	G10023	2	Hex Head Cap Screw, 1/4"-20 x 3/4"
	G10227	2	Lock Washer, 1/4"
	G10103	2	Hex Nut, 1/4"-20
19	GA12629	1	Mini Regulator W/Gauge
	GD19080	2	Elbow, 1/4" x 1/8" NPT Swivel
20	GA21405	1	Pressure Gauge
21	GD18078	1	Female Cross, 1/4" NPT
22	GD17154	1	Connector, 1/4" Male NPT
23	GD17156	2	Plug, 1/4" NPT
24	G10040	2	Hex Head Cap Screw, 1/4"-20 x 1 3/4"
	G10227	2	Lock Washer, 1/4"
25	GA11993	1	Block
26	GD17143	1	Swivel Elbow, 1/4" NPT x 3/8"
27	GA11997	1	Breather, 1/4" NPT
28	GR1952	4	Socket Head Cap Screw, #8-32 x 2"
	GR1953	4	O-Ring
	G10256	4	Lock Washer, No. 8
29	GA11994	2	Solenoid
	G11311	4	Phillips Pan Head Machine Screw
30	GD17141	2	Connector, 1/4" Male NPT
31	GA11992	1	Shutoff Valve, 1/4" NPT
A	GA12626	-	Air Compressor Assembly (Items 1-4 and 9-15)
B	GA11995	-	Dual Solenoid Assembly (Items 20-31) (only applicable with pneumatic down pressure option)
C	GR1783	-	Valve Seal Repair Kit

(IP1040a)



ITEM	PART NO.	QTY.	DESCRIPTION
1	GA12358	1	Compressor Mount
2	GA11988	1	Tank, 3 Gallon
3	GD17148	2	Male Connector, 1/4"
4	GD17156	1	Plug, 1/4" NPT
5	GD19079	1	Plug, 1/8" NPT
6	G10620	4	Serrated Flange Nut, 5/16"-18
	G10043	4	Hex Head Cap Screw, 5/16"-18 x 3/4"
7	GA11991	1	Drain, 1/4" NPT
8	G10341	3	Hex Head Cap Screw, 5/8"-11 x 8"
9	GD20044	1	Bracket
10	GD3180-33	1	Sleeve, 7"
11	GD18901	1	Tap Block, Long
12	G10171	4	Hex Head Cap Screw, 5/16"-18 x 1 1/4"
	G10620	4	Serrated Flange Nut, 5/16"-18

PTD016(TWL12)



ITEM	PART NO.	QTY. (Per Assy.)	DESCRIPTION
1	GD1256	2	Spring
2	G10453	2	Cotter Pin, 3/16" x 1"
3	GA0378	1	Block And Hub Assembly
4	GD1255	2	L-Pin
5	GA5165	1	Sprocket, 30 Tooth
6	G10430	1	External Retaining Ring, 1 1/4"
A	GA5164	-	Ratchet/Sprocket Assembly (Items 1-6)

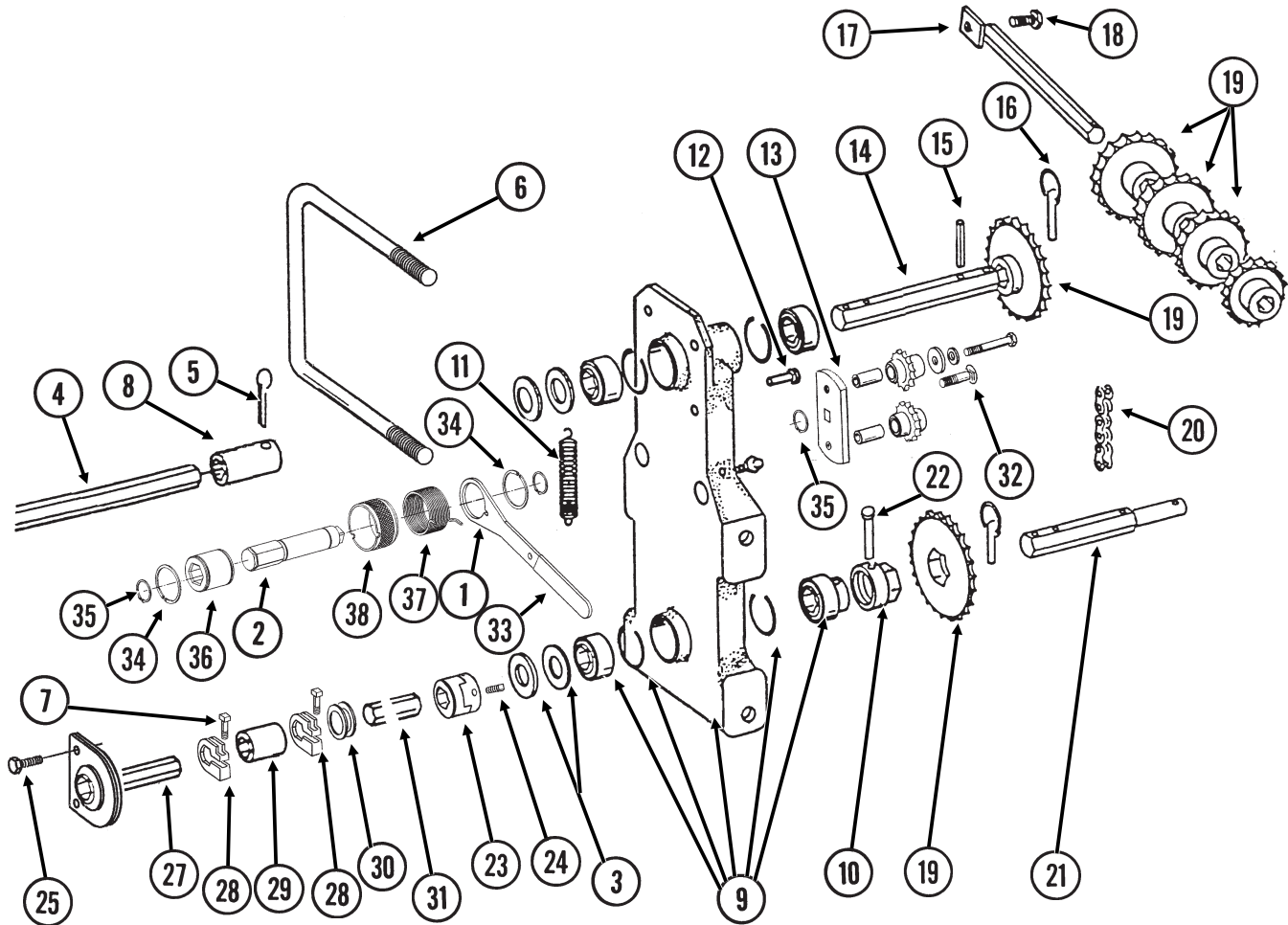
# Seed Rate Transmission and Driveline

Model 3705

M0313-02

(FF42g)

**R.H. Side Shown**



ITEM	PART NO.	QTY. (Per Assy.)	DESCRIPTION
1	GD14431	1	Handle
2	GD14427	1	Tightener Shaft, 4 $\frac{7}{8}$ "
3	G10233	4	Machine Bushing, 1", 10 Gauge
4	---	-	<a href="#">See "Wheel Module Assembly" on page P60</a>
5	G10460	1	Cotter Pin, 1/4" x 2"
6	GD1114	1	U-Bolt, 7" x 7" x 5/8"-11
	G10107	2	Lock Nut, 5/8"-11
7	G10130	2	Square Head Machine Bolt, 5/16"-18 x 1 3/4"
	G10923	2	Flange Nut, 5/16"-18, No Serration
8	GD7867	1	Coupler, 3"
9	GA5629	1	Transmission Plate W/Bearings, Grease Fittings And Retaining Rings
	GA5116	3	Bearing, 7/8" Hex Bore, Cylindrical
	GA5624	1	Special Bearing, 7/8" Hex Bore x 1.6"
	GD6551	4	Ring
	G10640	-	Grease Fitting, 1/4"-28
10	GD7127	1	Shear Coupler
11	GD5857	1	Spring
12	G10478	1	Clevis Pin, 5/16" x 1"
	G10409	1	Retaining Ring, 5/16"

## Seed Rate Transmission and Driveline

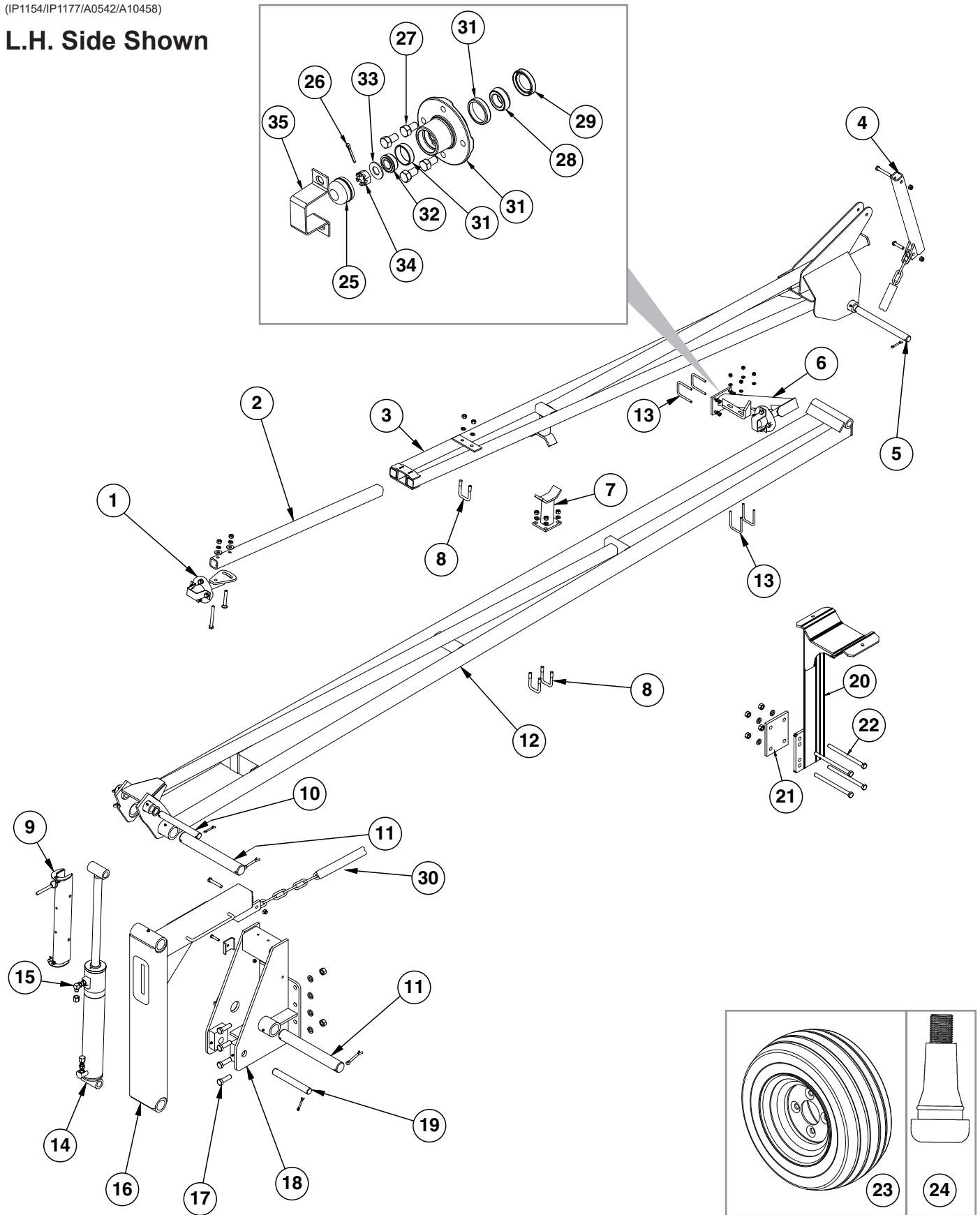
M0313-02

Model 3705

ITEM	PART NO.	QTY. (Per Assy.)	DESCRIPTION
13	GA7336	1	Idler W/Bolt-On Sprockets
	GD7426	-	Sprocket, 12 Tooth
	GD1026	-	Sleeve, 1 $\frac{3}{16}$ " Long
	G11387	-	Flat Washer, $\frac{3}{8}$ " SAE
	G10229	-	Lock Washer, $\frac{3}{8}$ "
	G10047	-	Hex Head Cap Screw, $\frac{3}{8}$ "-16 x 1 $\frac{3}{4}$ "
14	GD5835	1	Shaft, $\frac{7}{8}$ " x 7"
15	G10602	3	Spring Pin, $\frac{1}{4}$ " x 1 $\frac{1}{2}$ "
16	GD2558	3	Lynch Pin, $\frac{1}{4}$ "
17	GA5146	1	Sprocket Storage Rod
18	G10017	1	Hex Head Cap Screw, $\frac{1}{2}$ "-13 x 1 $\frac{1}{2}$ "
	G10228	1	Lock Washer, $\frac{1}{2}$ "
	G10102	1	Hex Nut, $\frac{1}{2}$ "-13
19	GA5106	1	Sprocket, 17 Tooth
	GA5107	1	Sprocket, 19 Tooth
	GA5108	2	Sprocket, 23 Tooth
	GA5109	1	Sprocket, 24 Tooth
	GA5110	1	Sprocket, 25 Tooth
	GA5111	1	Sprocket, 26 Tooth
	GA5112	1	Sprocket, 27 Tooth
	GA5113	1	Sprocket, 28 Tooth
20	G3310-80	1	Chain, No. 40, 80 Pitch Including Connector Link
	GR0912	-	Connector Link, No. 40
21	GD7822	1	Shaft, $\frac{7}{8}$ " x 7"
22	G10821	1	Clevis Pin, $\frac{3}{16}$ " x 2"
	G10455	1	Cotter Pin, $\frac{1}{16}$ " x $\frac{1}{2}$ "
23	GB0287	2	Coupler
24	G10131	4	Square Head Set Screw, $\frac{5}{16}$ "-18 x $\frac{3}{4}$ "
25	G10004	2	Hex Head Cap Screw, $\frac{3}{8}$ "-16 x 1 $\frac{1}{4}$ "
	G10229	2	Lock Washer, $\frac{3}{8}$ "
	G10101	2	Hex Nut, $\frac{3}{8}$ "-16
26	---	-	---
27	GD0914-152	-	Hex Shaft, $\frac{7}{8}$ " x 152" (No Holes), L.H. Side
	GD0914-152	-	Hex Shaft, $\frac{7}{8}$ " x 152" (No Holes), R.H. Side
28	GD11045	2	Lock Clamp
29	GD1719	1	Coupler, 4"
30	G10233	1	Machine Bushing, 1", 10 Gauge
31	GD0914-198	-	Hex Shaft, $\frac{7}{8}$ " x 198" (No Holes), R.H. and L.H. Sides
32	G11100	1	Hex Socket Button Head Cap Screw, $\frac{1}{4}$ "-20 x $\frac{1}{2}$ ", Grade 8
	G10227	1	Lock Washer, $\frac{1}{4}$ "
	G11453	1	Fender Washer, $\frac{1}{4}$ "
33	G11078	1	Vinyl Cap
34	G10496	2	External Inverted Snap Ring, 1 $\frac{1}{2}$ "
35	G11075	3	External Inverted Snap Ring, $\frac{7}{8}$ "
36	GD14432	1	Sleeve, 1 $\frac{1}{4}$ "
37	GD14413	-	Torsion Spring, L.H. (Shown)
	GD14414	1	Torsion Spring, R.H.
38	GD19343	1	Release Collar, R.H.(Shown)
	GD19344	-	Release Collar, L.H.
39	GD14427	1	Tightener Shaft, 4 $\frac{7}{8}$ "
40	GD14431	1	Handle
A	G1K269	-	Lock Clamp Kit (Items 7 And 28)
B	G1K378	1	Wrap Spring Wrench Replacement Kit, Blue Collar, R.H. (Items 32-40)
	G1K379	-	Wrap Spring Wrench Replacement Kit, Gray Collar, L.H. (Items 32-40)

(IP1154/IP1177/A0542/A10458)

L.H. Side Shown



ITEM	PART NO.	QTY. (Per Assy.)	DESCRIPTION
1	---	1	<a href="#">See "Row Marker Spindle/Hub/Blade" on page P80</a>
2	GD0453-07	1	Extension Tube, 45"
3	GA12686 G10640	1 -	Arm W/Grease Fittings, Third Stage Grease Fitting, 1/4"-28
4	GA6860 G10581 G10111 G10033	1 1 3 1	Control Arm Hex Head Cap Screw, 1/2"-13 x 2 1/4" Lock Nut, 1/2"-13 Hex Head Cap Screw, 1/2"-13 x 3 1/2"
5	GD0704 G10460	1 6	Pin, 1 1/4" x 14" Cotter Pin, 1/4" x 2"
6	GA0160R GA0160L	1 -	Support, R.H. Support, L.H. (Shown)
7	GA9101	1	Stop Weld
8	GD2721 G10228 G10102	3 2-8 2-8	U-Bolt, 2" x 2" x 1/2"-13 Lock Washer, 1/2" Hex Nut, 1/2"-13
9	GA8172 G10536	1 -	Safety Lockup W/Detent Pins, 20" Detent Pin, 1/2" x 2 1/2" Grip
10	GD9964 G10159 G10460	1 2 2	Pin, 1 1/4" x 10 1/2" Washer, 1 7/8" Cotter Pin, 1/4" x 2"
11	GD0677 G10461	2 4	Pin, 2 1/8" x 15 3/4" Cotter Pin, 3/8" x 3"
12	GA12697 G10640	1 -	Arm W/Grease Fittings, Second Stage, 150" Grease Fitting, 1/4"-28
13	GD19212 G11387 G10108	4 4 4	U-Bolt, 2 1/2" x 3/8"-16 Lock Washer, 3/8" Hex Nut, 3/8"-16
14	---	-	<a href="#">See "Row Marker (Cushion) Cylinder" on page P86</a>
15	G6801-08 G6400-08 GR1037 G6400-08-04 GR1464 G304-C-8	1 1 - 2 - -	Elbow W/O-Ring, 90°, 3/4"-16 Male JIC To O-Ring Connector W/O-Ring, 3/4"-16 Male JIC To O-Ring O-Ring Connector W/O-Ring, 3/4"-16 Male JIC To 7/16"-20 O-Ring O-Ring Cap Nut, 3/4"-16
16	GA6870 G10038	1 1	Arm, First Stage Hex Head Cap Screw, 1/2"-13 x 3"
17	G10027 G10231 G10105	8 8 6	Hex Head Cap Screw, 3/4"-10 x 2 1/2" Lock Washer, 3/4" Hex Nut, 3/4"-10
18	GA4031 G10640 GD5875 G10108 G10047	1 - 1 1 1	Mount W/Grease Fittings Grease Fitting, 1/4"-28 Hose Clamp, 9/16" x 2 1/2" x 2" Lock Nut, 3/8"-16 Hex Head Cap Screw, 3/8"-16 x 1 3/4"
19	GD10186 G10460 G10159	1 2 2	Pin, 1 1/4" x 9 1/2" Cotter Pin, 1/4" x 2" Washer, 1 7/8"
20	GA12434	1	Marker Tire Support
21	GD9622	1	Plate
22	G10152 G10104 G10230	4 4 4	Hex Head Cap Screw, 5/8"-11 x 9" Hex Nut, 5/8"-11 Lock Washer, 5/8"

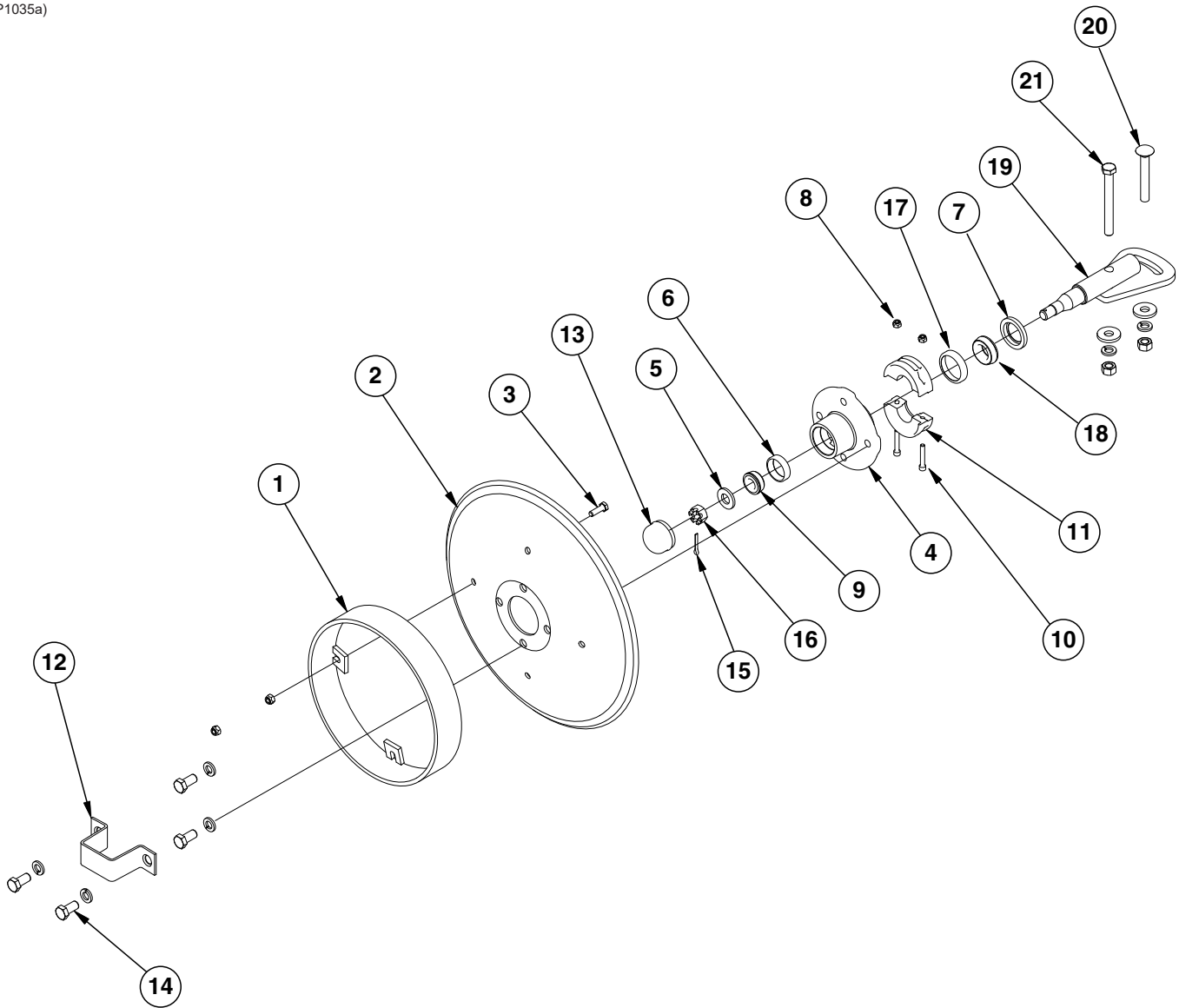


ITEM	PART NO.	QTY. (Per Assy.)	DESCRIPTION
23	GD0841	1	Tube Type Tire, 16" x 6.5" x 8" (Specify Brand*)
	GD1364	1	Tube (Not Shown)
	GA0246	1	Rim, T8 x 5.38" x 4
24	GA10458	1	Valve Stem
25	GD0840	1	Dust Cap
26	G10544	1	Cotter Pin, 5/32" x 1"
27	GD3248	4	Lug Bolt, 1/2"-20 x 1 1/4"
28	GA0245	1	Bearing
29	GD21540	1	Grease Seal
30	G3302-05	1	Coil Chain, No. 9/0, 79 Links
	GD10674-01	-	Nylon Cover, 141"
31	GA0167	1	Hub W/Cups, 4 Bolt
	GR0151	-	Outer Cup
	GR0150	-	Inner Cup
	GB0165	-	Hub, 4 Bolt
32	GA0257	1	Bearing
33	G11391	1	Flat Washer, 5/8" SAE
34	G10725	1	Slotted Hex Nut, 5/8"-18
35	GD2597	1	Retainer
A	GA0542	1	Tire And Rim Assembly (Item 23)

\*Specific brand requests will be supplied only as available from current Kinze Repair Parts stock. If a specific brand requested is not in stock, the brand available will be supplied.

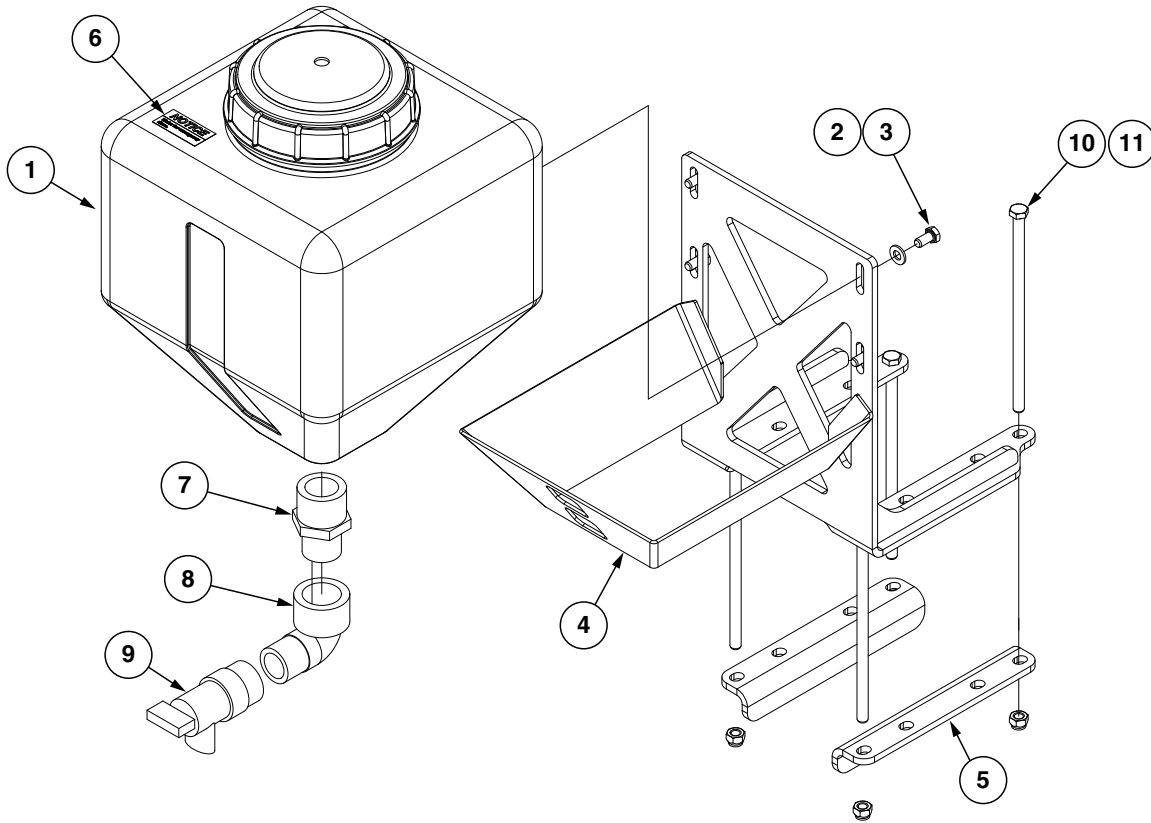
**This page left blank intentionally.**

(IP1035a)



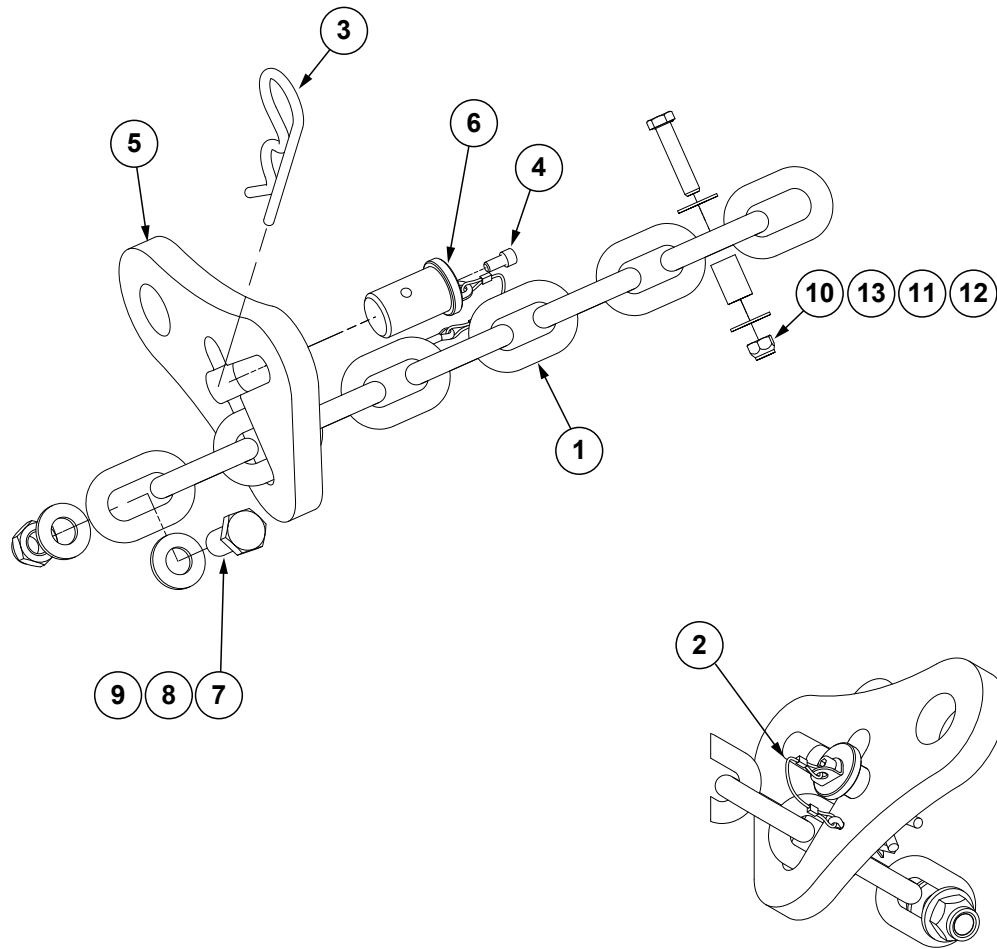
ITEM	PART NO.	QTY. (Per Assy.)	DESCRIPTION
1	GA5853	1	Depth Band
2	GD0746	1	Disc Blade, Solid, 16" (Shown)
	GD10283	-	Disc Blade, Notched, 16" (Optional)
3	G10019	4	Hex Head Cap Screw, 5/16"-18 x 1"
	G10109	4	Lock Nut, 5/16"-18, Grade 8
4	GA0167	1	Hub W/Cups, 4 Bolt (Includes Items 6 and 17)
5	G11391	1	Flat Washer, 5/8" SAE
6	GR0151	1	Outer Cup
7	GD21540	1	Grease Seal
8	G10110	2	Lock Nut, 1/4"-20, Grade B
9	GA0257	1	Bearing
10	G11418	2	Hex Socket Head Cap Screw, 1/4"-20 x 1 1/2"
11	GB0554	2	Hub Shield
12	GD2597	1	Retainer
13	GD0840	1	Dust Cap
14	G10722	4	Hex Head Cap Screw, 1/2"-20 x 1"
	G10228	4	Lock Washer, 1/2"
15	G10544	1	Cotter Pin, 5/32" x 1"
16	G10725	1	Slotted Hex Nut, 5/8"-18
17	GR0150	1	Inner Cup
18	GA0245	1	Bearing
19	GA15151	1	Spindle
20	G10844	1	Carriage Bolt, 1/2"-13 x 3 1/2"
	G10168	1	Machine Bushing, 1/2", 7 Gauge
	G10228	1	Lock Washer, 1/2"
	G10102	1	Hex Nut, 1/2"-13
21	G10045	1	Hex Head Cap Screw, 1/2"-13 x 4 1/2"
	G10168	2	Machine Bushing, 1/2", 7 Gauge
	G10228	2	Lock Washer, 1/2"
	G10102	2	Hex Nut, 1/2"-13
A	GA13719	-	Hub And Spindle Assembly, (Items 4-7, 9, and 12-19)

A21003



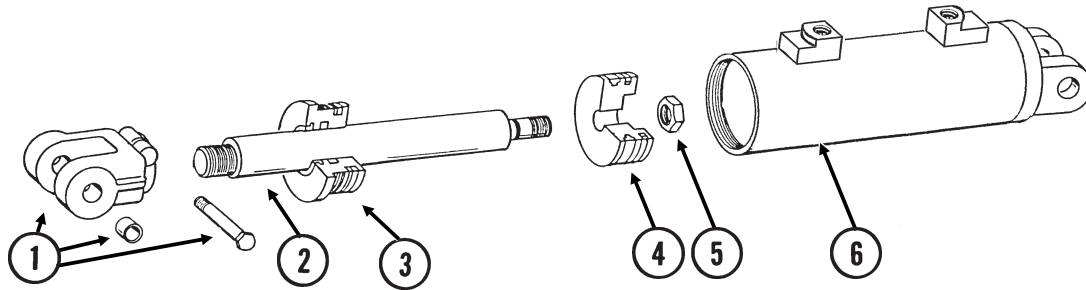
ITEM	PART NO.	QTY.	DESCRIPTION
1	GD30723	1	4 Gallon Water Tank W/Lid
2	G11386	4	Flat Washer, <sup>5</sup> / <sub>16</sub> " SAE
3	G10018	4	Hex Head Cap Screw, <sup>5</sup> / <sub>16</sub> "-18 x <sup>5</sup> / <sub>8</sub> "
4	GA21002	1	Water Tank Mount
5	GD30221	2	Water Tank Mount Brackets
6	G10383201	1	Decal, Notice
7	G10727	1	Reducing Nipple, 1-1/4" x 1"
8	G11742	1	1" NPT 90° Elbow
9	GD30722	1	1" NPTF Flush Valve
10	G10686	4	Hex Head Cap Screw, <sup>3</sup> / <sub>8</sub> "-16 x 8"
11	G10108	4	Lock Nut, <sup>3</sup> / <sub>8</sub> "-16

(A25017)



ITEM	PART NO.	QTY.	DESCRIPTION
1	G3324-01	1	Safety Chain, 13MM Grade 70, 97½"
2	GD35339	1	Looped Tether W/Tabs and Cotter Pin
3	G10671	1	Hairpin Cotter, 3/16" x 3¼"
4	G11874	1	Hex Socket Head Cap Screw, ¼"-20 x ½"
5	GD35127	1	Single Chain Latch
6	GD35340	1	Chain Latch Pin
7	G10007	1	Hex Head Cap Screw, 5/8"-11 x 1½"
8	G11391	2	Flat Washer, 5/8" SAE
9	G10107	1	Lock Nut, 5/8"-11
10	G10108	1	Lock Nut, 3/8"-16
11	GD8893-07	1	Sleeve, 1" Long
12	G10047	1	Hex Head Cap Screw, 3/8"-16 x 1¾"
13	G10210	2	Washer, 3/8" USS
A	G9948X	-	3/8" Transport Safety Chain Package (Items 1-13)

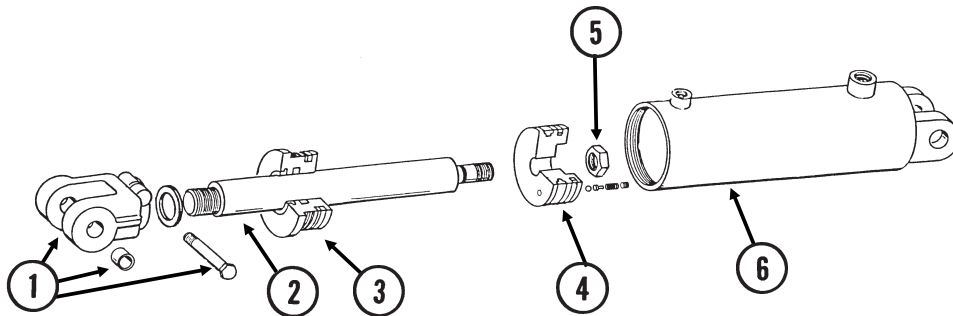
(CYL33d)



ITEM	PART NO.	QTY.	DESCRIPTION
1	GA8130	1	Clevis W/Bushings, Hex Head Cap Screw And Hex Nut
	GD11751	2	Steel Bushing, 1" Wide
	G10939	1	Hex Head Cap Screw, 3/8"-16 x 2 1/4"
	G10101	1	Hex Nut, 3/8"-16
2	GD12521	1	Rod
3	GD12522	1	Gland
4	GD12525	1	Piston
5	G10958	1	Lock Nut, 1"-14
6	*A8927	1	Barrel ( <b>Non-Stock Item</b> )
A	GA8928	-	Cylinder Complete, 4 1/2" x 10" ( <i>Part Number Stamped On Barrel</i> )
B	GR1530	-	Seal Kit, Includes: (1) Wiper, (1) U-Cup, (2) O-Rings, (1) BU Ring, (2) Cast Iron Rings, (1) Seal, (1) Energizer

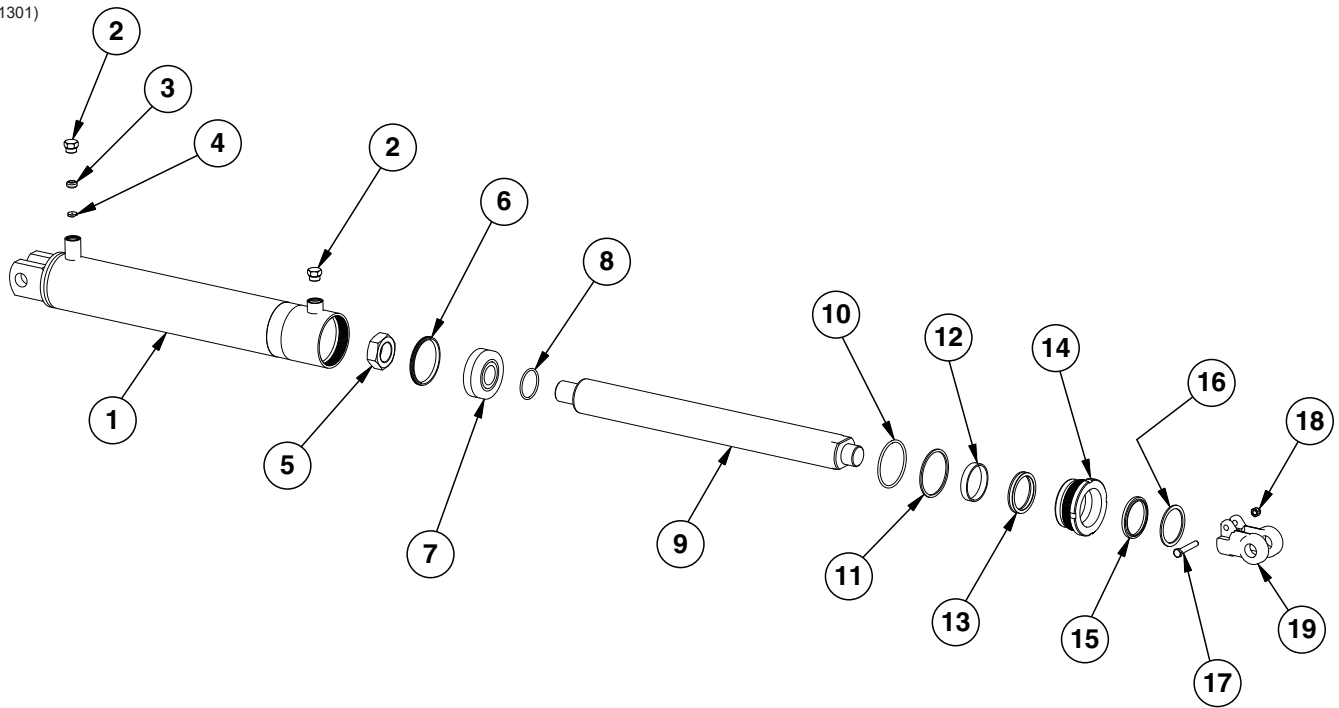
Slave Cylinder

CYL055(CYL15d)



ITEM	PART NO.	QTY.	DESCRIPTION
1	GA8130	1	Clevis W/Bushings, Hex Head Cap Screw And Hex Nut
	GD11751	2	Steel Bushing, 1" Wide
	G10939	1	Hex Head Cap Screw, 3/8"-16 x 2 1/4"
	G10101	1	Hex Nut, 3/8"-16
2	GD12564	1	Rod
3	GD12572	1	Gland
4	GA8962	1	Piston W/Rephasing Valve
	GR1169	-	Rephasing Valve Replacement Kit (Set Screw, Guide, 2 Springs And Ball)
5	G10958	1	Lock Nut, 1"-14
6	*A8960	1	Barrel ( <b>Non-Stock Item</b> )
A	GA8961	-	Cylinder Complete, 4 3/4" x 20" ( <i>Part Number Stamped On Barrel</i> )
B	GR1546	-	Seal Kit, Includes: (1) Wiper, (1) U-Cup, (2) O-Rings, (1) BU Ring, (2) Cast Iron Rings, (1) Seal, (1) Energizer

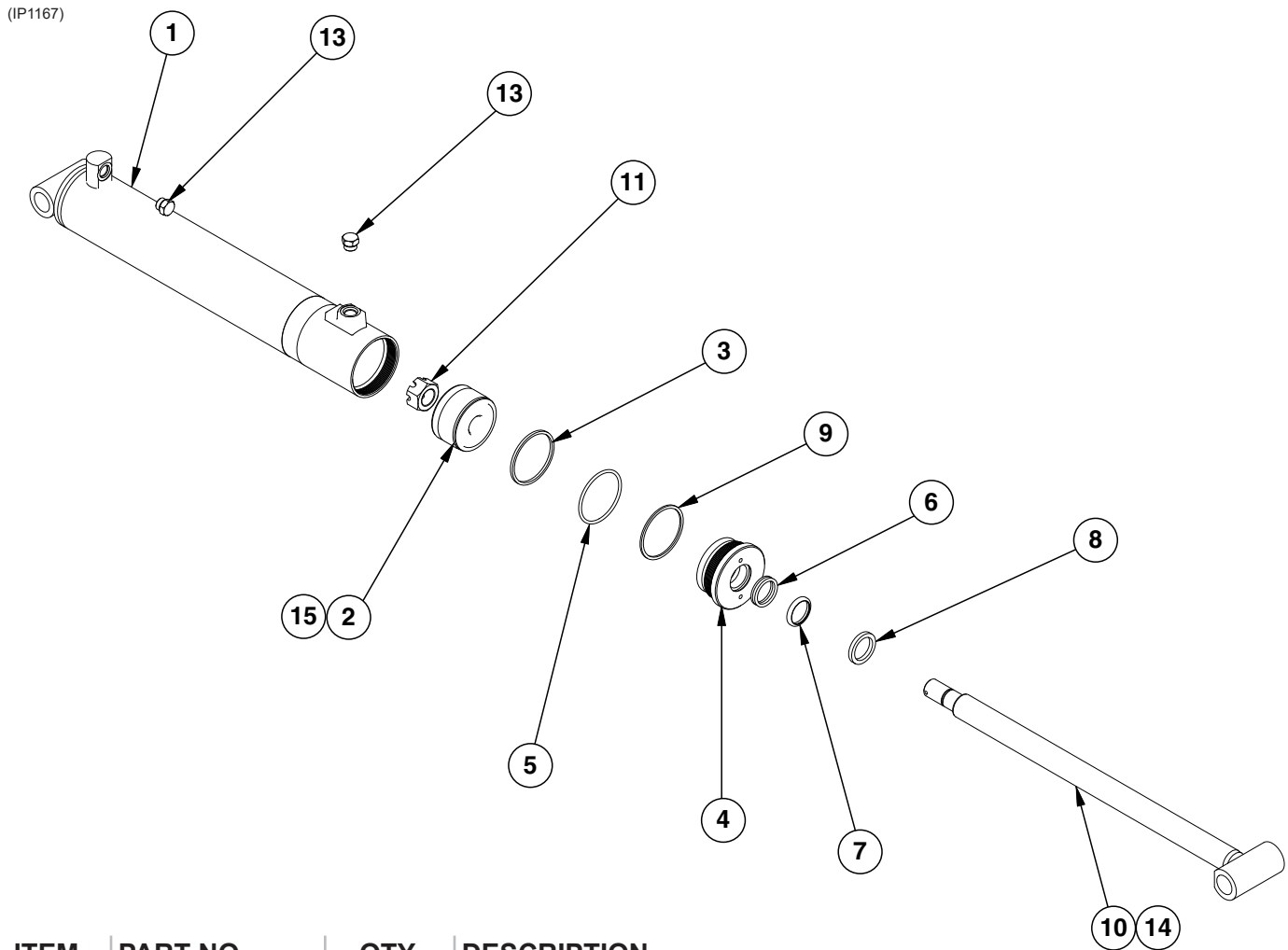
(IP1301)



ITEM	PART NO.	QTY.	DESCRIPTION
1	*A8969	1	Barrel ( <b>Non-Stock Item</b> )
2	G6408-08	2	Plug W/O-Ring, 3/4"-16 O-Ring
3	G10987	1	Hollow Lock Screw, 3/4"-16 x 3/8"
4	GD12589	1	Orifice Plate
5	G10087	1	Hex Jam Nut, 1 1/2"-12, Grade 2
6	*D12280	1	T-Seal
7	GD20991	1	Piston
8	*D20990	1	O-Ring
9	GD20989	1	Rod
10	*D12231	1	O-Ring
11	*D12232	1	Backup Ring
12	*D12137	1	Wear Ring
13	*D12264	1	U-Cup
14	GD20988	1	Gland
15	*D12263	1	Wiper
16	*D12121	1	Ring
17	G10939	1	Hex Head Cap Screw, 3/8"-16 x 2 1/4"
18	G10108	1	Lock Nut, 3/8"-16
19	GD11951	1	Clevis
A	GA14697	-	Cylinder Complete, 3 1/2" x 20" ( <i>Part Number Stamped On Barrel</i> )
B	GR1962	1	Seal Kit, Includes: (1) Wiper, (1) U-Cup, (2) O-Rings, (1) Backup Ring, (1) T-Seal, (1) Wear Ring, (1) Ring

\*Item is part of seal kit, item can not be purchased individually.



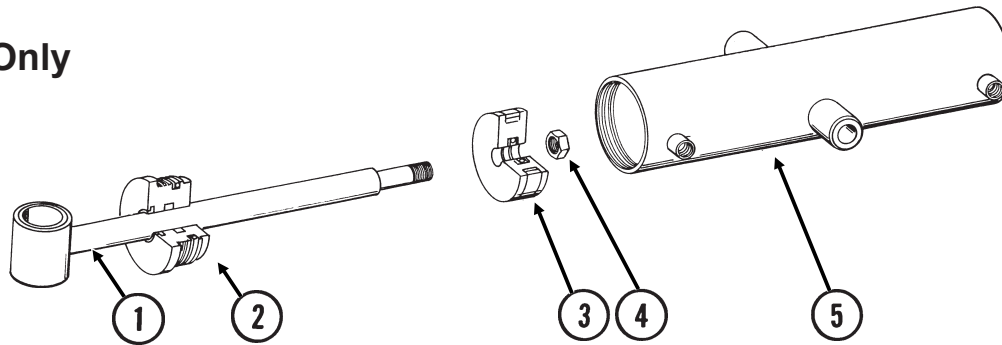


ITEM	PART NO.	QTY.	DESCRIPTION
1	*A8950	1	Barrel (Non-Stock Item)
2	GD12550	1	Piston, 3½"
3	*D12088	1	Piston Ring
4	GD12548	1	Gland
5	GD12231	1	O-Ring, No. 338
6	*D12252	1	U-Cup
7	*D12206	1	Wiper
8	GD12103	1	Ring
9	*D12232	1	Back-up Ring
10	GA8948	1	Rod Assembly
11	G10948	1	Lock Nut, 1½"-12
12	---	-	---
13	G6408-08	2	Plug W/O-Ring, ¾"-16 O-Ring
	GR1037	-	O-Ring
14	*D12245	1	O-Ring, #122
15	*D12280	1	T-Seal
A	GA8951	-	Cylinder Complete, 3½" x 20" (Part Number Stamped On Barrel)
B	GR1532	-	Seal Kit, Includes: (2) O-Rings, (1) U-Cup, (1) Wiper, (1) T-Seal, (1) BU Ring, (1) Cast Iron Ring

\*Item is part of seal kit, item can not be purchased individually.

(CYL17a)

**R.H. Side Only**

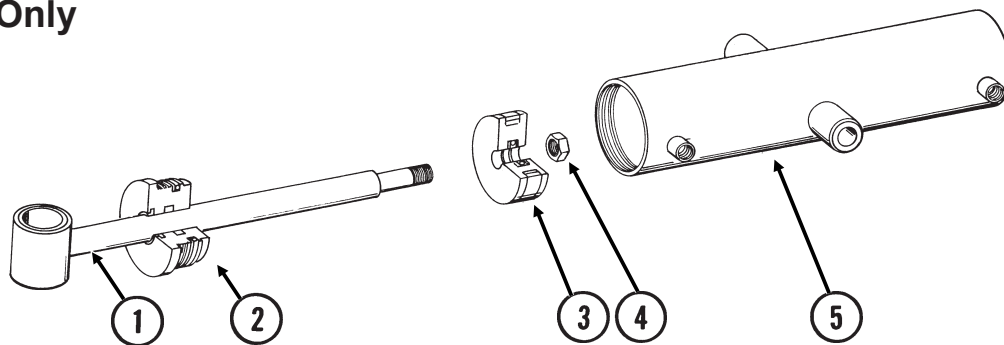


ITEM	PART NO.	QTY.	DESCRIPTION
1	GA8910 G10640	1 -	Rod Assembly W/Grease Fitting Grease Fitting, 1/4"-28
2	GD11988	1	Gland
3	GD11997	1	Piston
4	G10958	1	Lock Nut, 1"-14
5	*A8300	1	Barrel ( <b>Non-Stock Item</b> )
A	GA8906	-	Cylinder Complete, 4" x 13 5/8" ( <i>Part Number Stamped On Barrel</i> )
B	GR1525	-	Seal Kit, Includes: (2) O-Rings, (1) BU Ring, (1) U-Cup, (1) Wiper, (1) T-Seal

**Helper Cylinder**

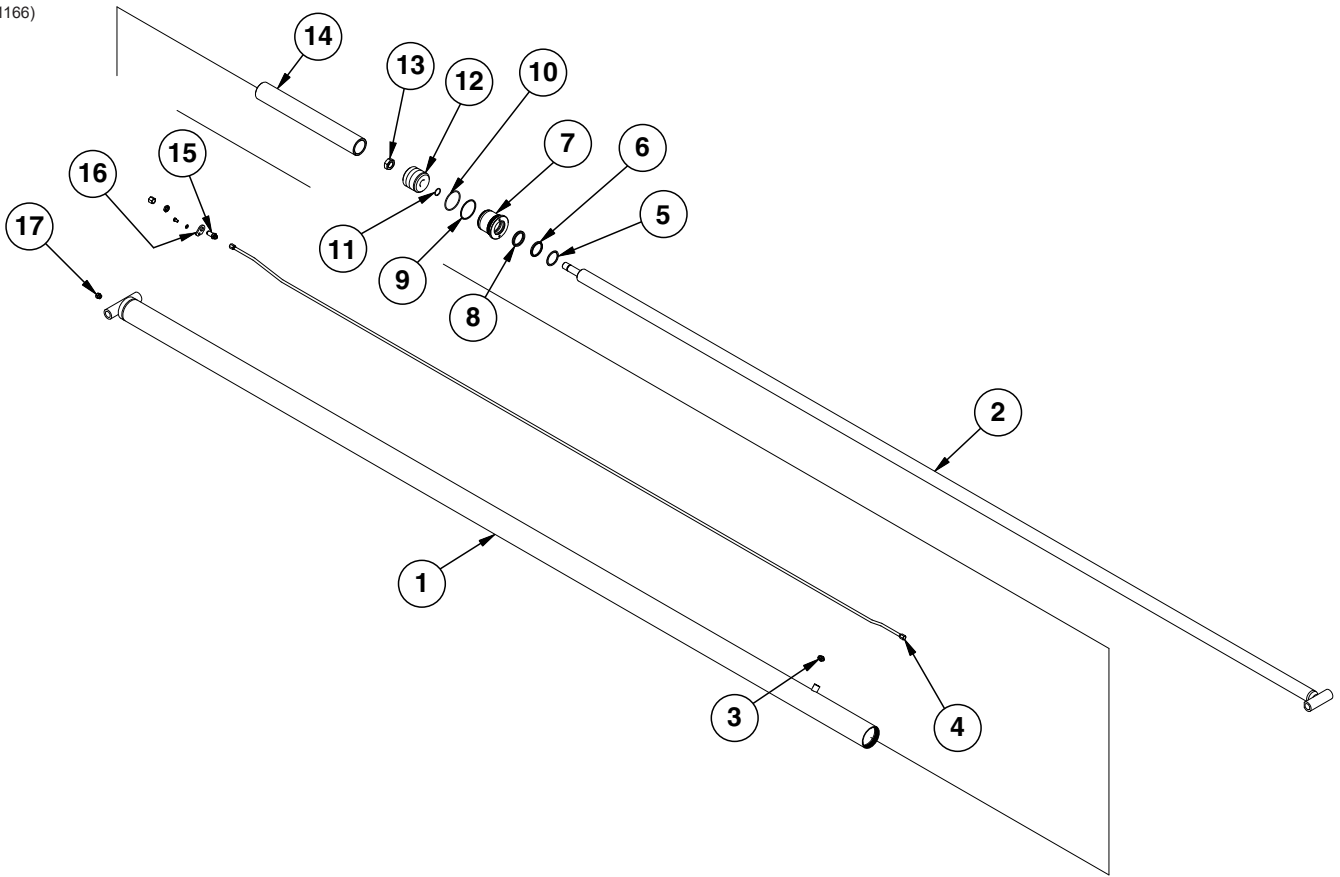
CYL055(CYL17a)

**L.H. Side Only**



ITEM	PART NO.	QTY.	DESCRIPTION
1	GA8907 G10640	1 -	Rod Assembly W/Grease Fitting Grease Fitting, 1/4"-28
2	GD11988	1	Gland
3	GD11997	1	Piston
4	G10958	1	Lock Nut, 1"-14
5	*A6852	1	Barrel ( <b>Non-Stock Item</b> )
A	GA8905	-	Cylinder Complete, 4" x 15 5/32" ( <i>Part Number Stamped On Barrel</i> )
B	GR1525	-	Seal Kit, Includes: (2) O-Rings, (1) BU Ring, (1) U-Cup, (1) Wiper, (1) T-Seal

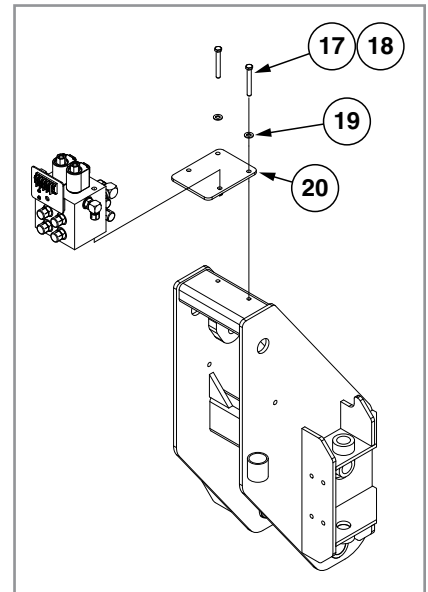
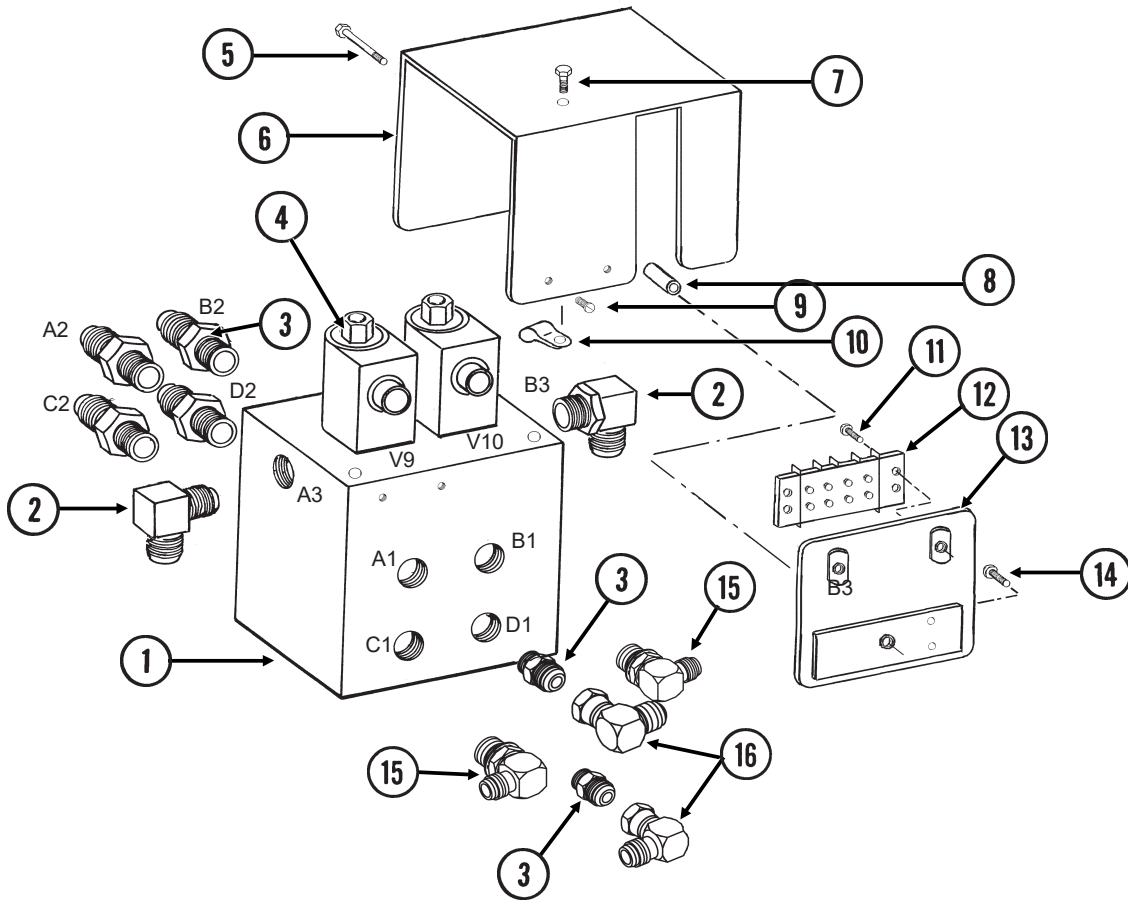
(IP1166)



ITEM	PART NO.	QTY.	DESCRIPTION
1	*A9582	1	Barrel (Non-Stock Item)
2	GA9580	1	Rod Assembly
3	G6400-08-04 GR1465	1 -	Connector W/O-Ring, 3/4"-16 Male JIC To 7/16"-20 O-Ring O-Ring
4	GA10146 G11089	1 1	Steel Hydraulic Line, 178 1/4" Hose Clamp
5	GD12121	1	Ring, 2 1/2"
6	*D12263	1	Wiper Rod
7	GD13448 GD12137	1 1	Gland Wear Ring
8	*D12264	1	U-Cup
9	*D12222	1	Back-Up Ring No. 342
10	*D12221	1	O-Ring, No. 342
11	*D12204	1	O-Ring, No. 218
12	GD13449 *D12265 *D12120 *D12119	1 1 2 1	Piston Expander Wear Ring Piston Seal
13	G10972	1	Lock Nut, 1 1/4"-12
14	GD13456	1	Spacer
15	G2700-08 G306-08 G304-C-8	1 1 1	Bulkhead Tube Union, 3/4"-16 Male JIC Lock Nut, 3/4"-16 Cap Nut, 3/4"-16
16	GD13643 G10328 G10229	1 1 1	Bracket Hex Head Cap Screw, 3/8"-16 x 5/8" Lock Washer, 3/8"
17	G6408-08 GR1037	1 1	Plug W/O-Ring, 3/4"-16 O-Ring O-Ring
A	GA9583	-	Cylinder Complete, 4" x 162" (Part Number Stamped On Barrel)
B	GR1599	-	Seal Kit, Includes: (2) O-Rings, (1) BU Ring, (3) Wear Rings, (1) Piston Seal, (1) U-Cup, (1) Wiper, (1) Expander

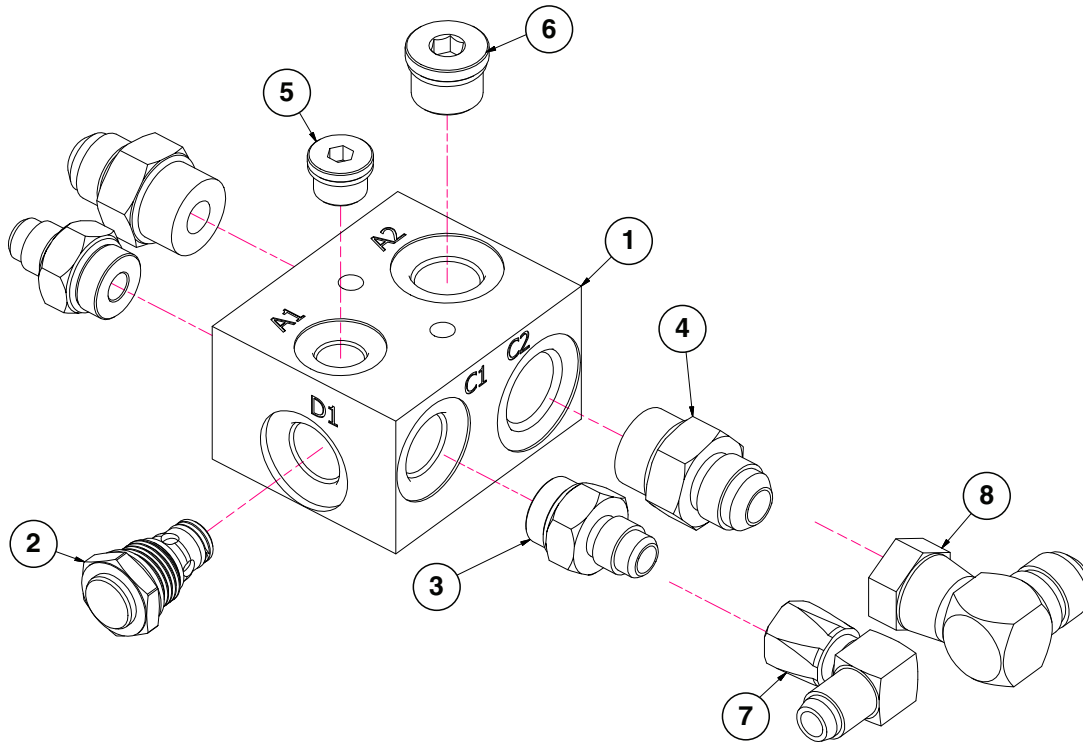
\*Item is part of seal kit, item can not be purchased individually.

(FF19c)



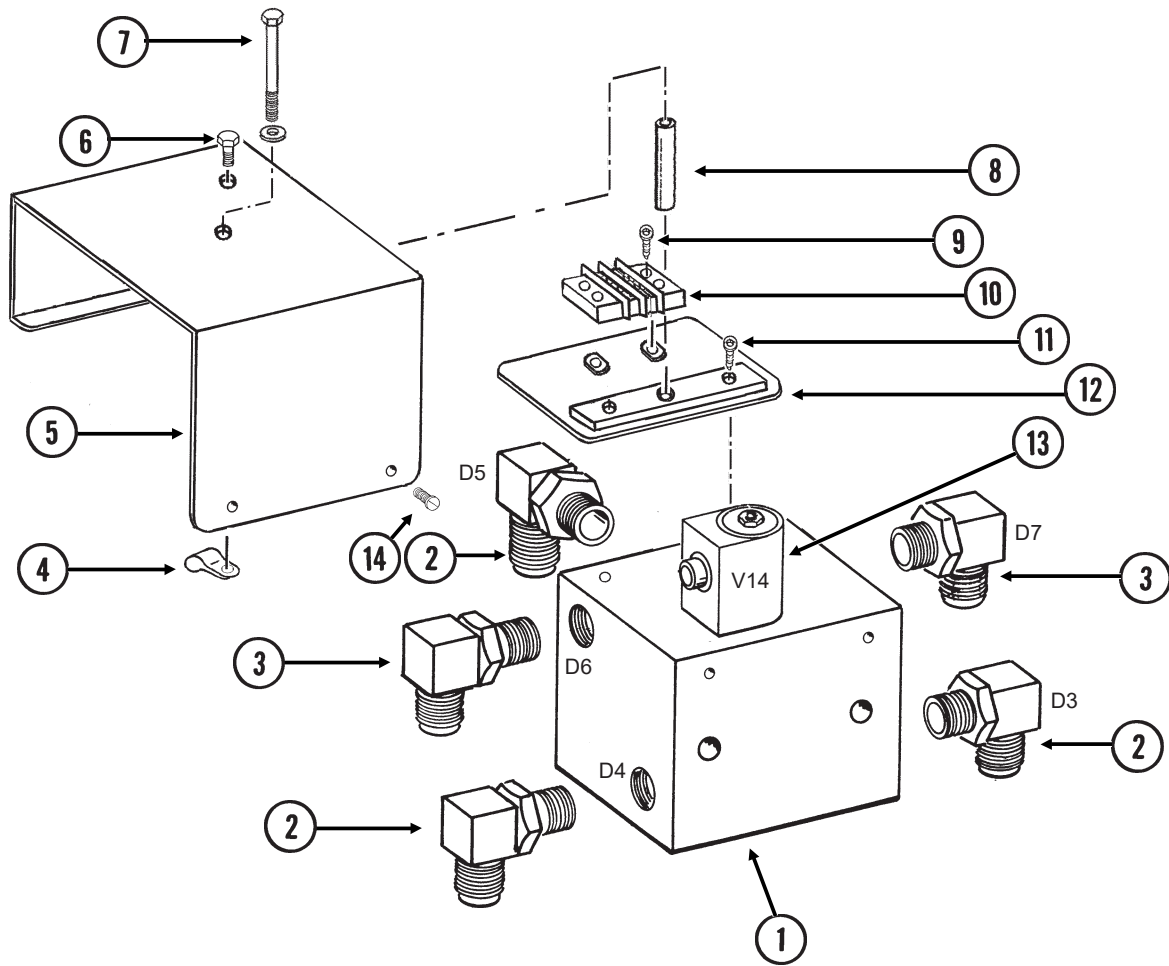
ITEM	PART NO.	QTY.	DESCRIPTION
1	GD9531	1	Block
2	G6801-08 GR1037	2 -	Elbow W/O-Ring, 90°, ¼"-16 Male JIC To O-Ring O-Ring
3	G6400-10-08 GR1037	6 -	Connector W/O-Ring, ⅞"-14 Male JIC To ¼"-16 O-Ring O-Ring
4	---	-	<a href="#">See "Solenoïd Valve (G1K276)" on page P101</a>
5	G10133 G10232	1 1	Hex Head Cap Screw, ⅝"-18 x 1½" Lock Washer, ⅝"
6	GD13365	1	Cover
7	G10054 G10232 G10106	1 1 1	Hex Head Cap Screw, ⅝"-18 x ½" Lock Washer, ⅝" Hex Nut, ⅝"-18
8	GD8066-02	1	Sleeve, 1" Long
9	G10977	2	Phillips Pan Head Machine Screw, No. 10-24 x ½", Stainless Steel
10	GD13348	1	Insulated Clamp, 1⅛"
11	G11067	2	Phillips Pan Head Machine Screw, No. 8-32 x ¾", Stainless Steel
12	GA9510 GR1635	1 -	Terminal Strip W/Screws, No. 6, 4 Terminal Screw, No. 6-32 x ¼"
13	GA9518	1	Terminal Strip Mount
14	G11066	2	Phillips Pan Head Machine Screw, No. 10-24 x ¾", Stainless Steel
15	G6801-10-08 GR1037	2 -	Elbow W/O-Ring, 90°, ⅞"-14 Male JIC To ¼"-16 O-Ring O-Ring
16	G6500-10	2	Swivel Elbow, 90°, ⅞"-14 Male JIC To Female
17	G10062	2	Hex Head Cap Screw, ⅜"-16 x 3"
18	G10108	2	Lock Nut, ⅜"-16
19	G11387	2	Flat Washer, ⅜" SAE
20	GD25508	1	Hydraulic Block Mount

(A26398)



ITEM	PART NO.	QTY.	DESCRIPTION
1	GD33511	1	Valve Block
2	GA21067	1	Check Valve, No. 8
3	G6400-06-08 GR1037	2 -	Connector W/O-Ring, 1/16"-18 Male JIC To 3/4"-16 O-Ring O-Ring
4	G6400-08-10 GR1466	2 -	Connector W/O-Ring, 3/4"-16 Male JIC To 7/8"-14 O-Ring O-Ring
5	G6408-H06-O GR1045	1 -	Hex Socket Head Plug W/O-Ring, 1/16"-18 O-Ring O-Ring
6	G6408-H08-0	1	Hex Socket Head Plug W/O-Ring, 3/4"-16 O-Ring
7	G6500-06	1	Swivel Elbow, 90°, 9/16"-18 Male JIC To Female
8	G6500-08	1	Swivel Elbow, 90°, 3/4"-16 Male JIC To Female

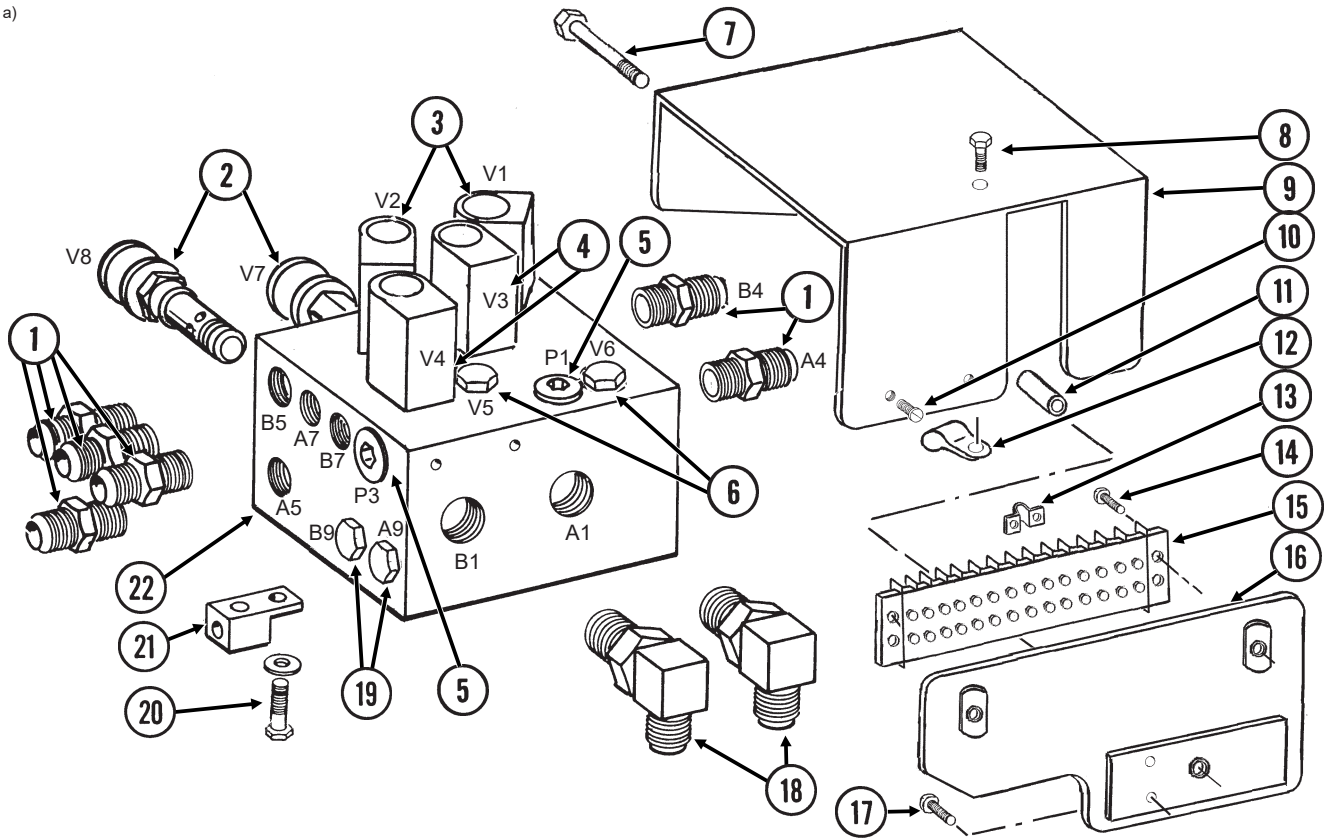
(FF20a)



ITEM	PART NO.	QTY.	DESCRIPTION
1	GD9536	1	Block
2	G6801-10-08 GR1037	3 -	Elbow W/O-Ring, 90°, 7/8"-14 Male JIC To 3/4"-16 O-Ring O-Ring
3	G6801-08 GR1037	2 -	Elbow W/O-Ring, 90°, 3/4"-16 Male JIC To O-Ring O-Ring
4	GD13348	1	Insulated Clamp, 1 1/16"
5	GD13366	1	Cover
6	G10054 G10232 G10106	1 1 1	Hex Head Cap Screw, 5/16"-18 x 1/2" Lock Washer, 5/16" Hex Nut, 5/16"-18
7	G10583 G10232	1 1	Hex Head Cap Screw, 5/16"-18 x 2 3/4" Lock Washer, 5/16"
8	GD8066-03	1	Sleeve, 2 5/16" Long
9	G11067	2	Phillips Pan Head Machine Screw, No. 8-32 x 3/4", Stainless Steel
10	GA9511 GR1635	1 -	Terminal Strip W/Screws, No. 6, 2 Terminal Screw, No. 6-32 x 1/4"
11	G11066	2	Phillips Pan Head Machine Screw, No. 10-24 x 3/4", Stainless Steel
12	GA9519	1	Terminal Strip Mount
13	---	-	<a href="#">See "Solenoid Valve (G1K275)" on page P101</a>
14	G10977	2	Phillips Pan Head Machine Screw, No. 10-24 x 1/2", Stainless Steel

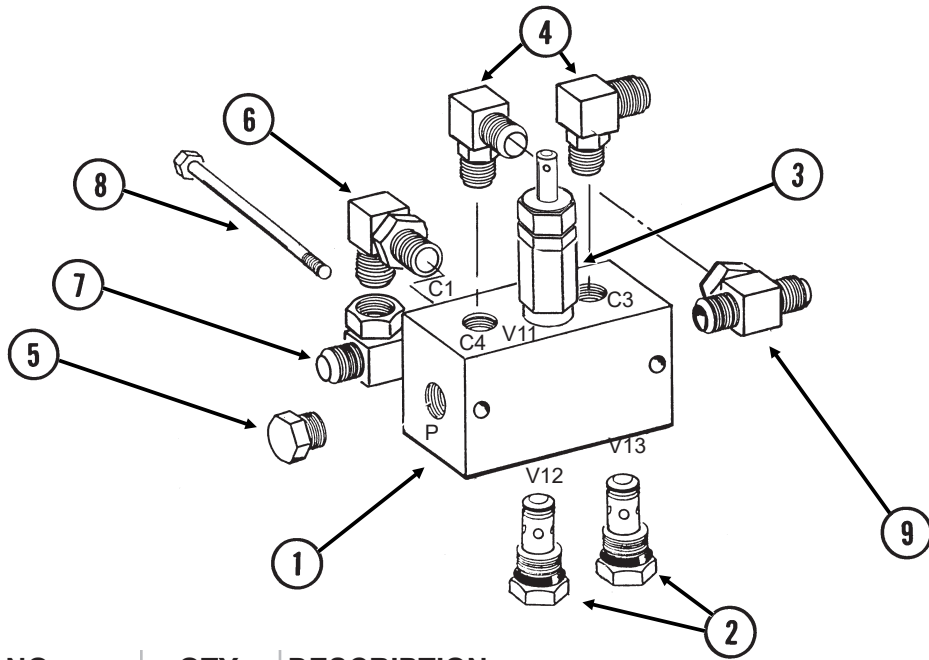


(FF21a)



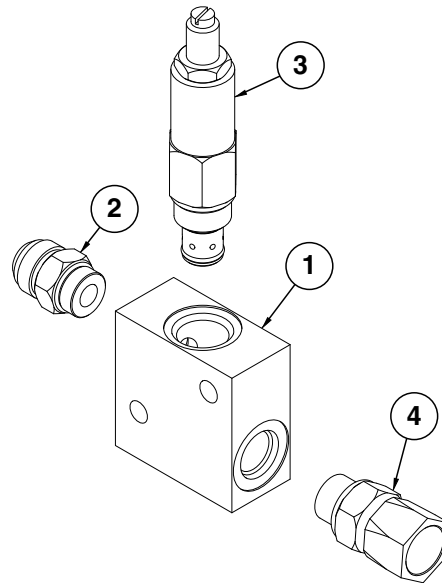
ITEM	PART NO.	QTY.	DESCRIPTION
1	G6400-08 GR1037	6 -	Connector W/O-Ring, 3/4"-16 Male JIC To O-Ring O-Ring
2	---	-	<a href="#">See "Flow Control Valve" on page P102</a>
3	---	-	<a href="#">See "Solenoid Valve (G1K275)" on page P101</a>
4	---	-	<a href="#">See "Solenoid Valve (G1K276)" on page P101</a>
5	G6408-H06-O GR1045	5 -	Hex Socket Head Plug W/O-Ring, 5/16"-18 O-Ring O-Ring
6	G6408-10 GR1466	2 -	Plug W/O-Ring, 7/8"-14 O-Ring O-Ring
7	G10003 G10229	1 2	Hex Head Cap Screw, 3/8"-16 x 1 1/2" Lock Washer, 3/8"
8	G10004 G11091	1 1	Hex Head Cap Screw, 3/8"-16 x 1 1/4" Serrated Flange Nut, 3/8"-16
9	GD13146	1	Cover
10	G10977	2	Phillips Pan Head Machine Screw, No. 10-24 x 1/2", Stainless Steel
11	GD7318	1	Sleeve, 1" Long
12	GD13348	1	Insulated Clamp, 1 1/16"
13	GD13310	1	Jumper, 7/16"
14	G11067	2	Phillips Pan Head Machine Screw, No. 8-32 x 3/4", Stainless Steel
15	GA9097 GR1635	1 -	Terminal Strip W/Screws, No. 6, 14 Terminal Screw, No. 6-32 x 1/4"
16	GA13741	1	Terminal Strip, Mount
17	G11066	2	Phillips Pan Head Machine Screw, No. 10-24 x 3/4", Stainless Steel
18	G6801-10 GR1466	2 -	Elbow W/O-Ring, 90°, 7/8"-14 Male JIC To O-Ring O-Ring
19	G6408-08 GR1037	6 -	Plug W/O-Ring, 3/4"-16 O-Ring O-Ring
20	G10019 G10043 G10232 G11386	1 1 2 -	Hex Head Cap Screw, 5/16"-18 x 1" Hex Head Cap Screw, 5/16"-18 x 3/4" Lock Washer, 5/16" Flat Washer, 5/16" SAE
21	GA3584	1	Ground Clamp
22	GD9533	1	Block

VVB030(F22c)



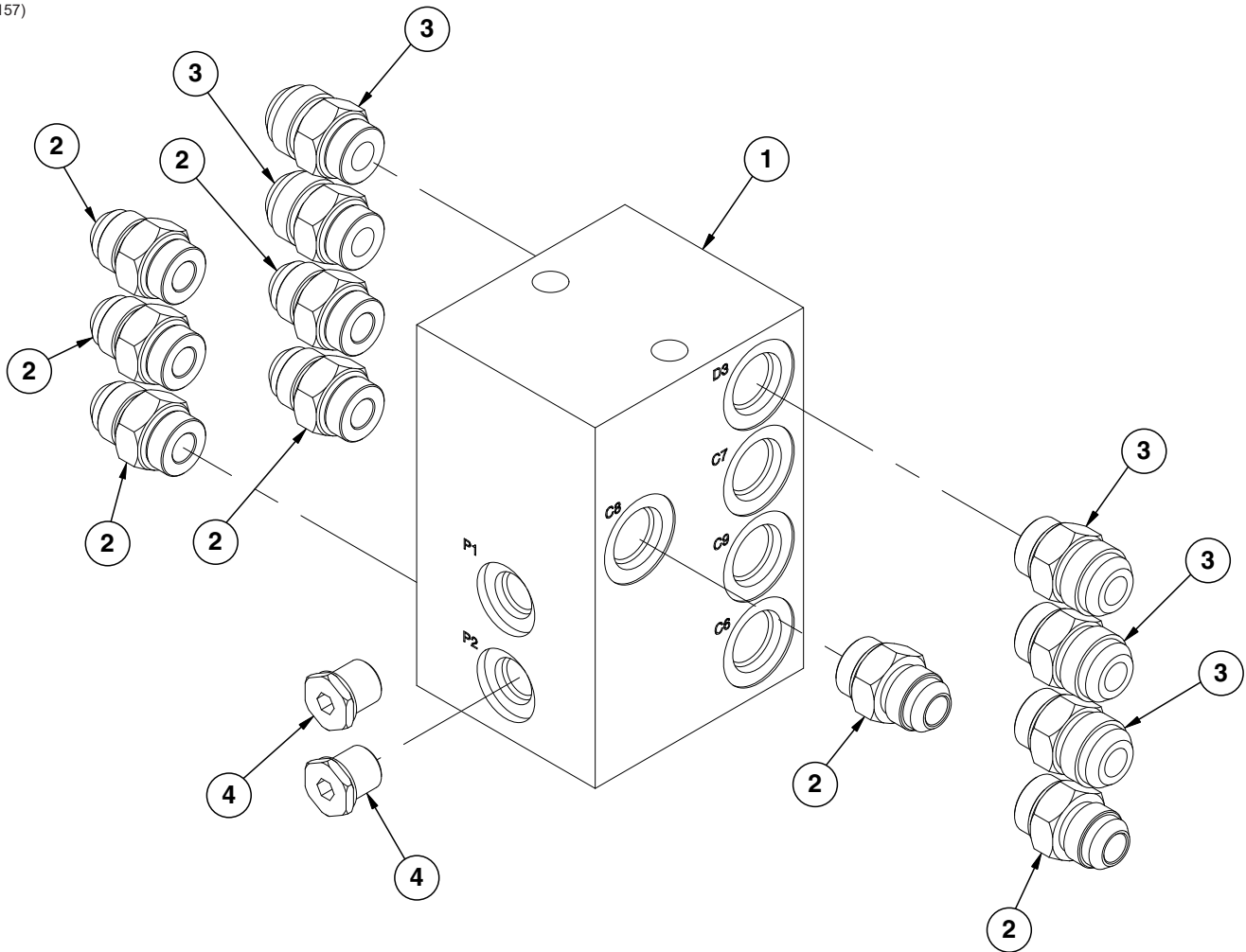
ITEM	PART NO.	QTY.	DESCRIPTION
1	GD9535	1	Block
2	---	-	<a href="#">See "Check Valve" on page P102</a>
3	---	-	<a href="#">See "Pressure Relief Valves" on page P102</a>
4	G6801-08 GR1037	2 -	Elbow W/O-Ring, 90°, 3/4"-16 Male JIC To O-Ring O-Ring
5	G6408-06 GR1045	1 -	Plug W/O-Ring, 9/16"-18 O-Ring O-Ring
6	G6801-10-08 GR1037	1 -	Elbow W/O-Ring, 90°, 7/8"-14 Male JIC To 3/4"-16 O-Ring O-Ring
7	G6600-10	1	Swivel Tee, 7/8"-14 JIC
8	G10746 G10227 G10103	2 2 2	Hex Head Cap Screw, 1/4"-20 x 2 3/4" Lock Washer, 1/4" Hex Nut, 1/4"-20
9	G6600-08	1	Swivel Tee, 3/4"-16 JIC

(IP1185)



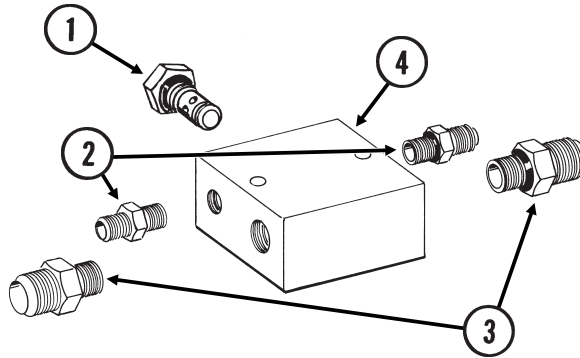
ITEM	PART NO.	QTY.	DESCRIPTION
1	GD14528	1	Valve Block
2	G6400-10-08 GR1037	1 -	Connector W/O-Ring, 7/8"-14 Male JIC To 3/4"-16 O-Ring O-Ring
3	GA3407	1	Pressure Relief Valve, 1000 PSI
4	G6402-08-10	1	Connector W/O-Ring, 7/8"-14 Female JIC to 3/4"-16 O-Ring

(IP1157)



ITEM	PART NO.	QTY.	DESCRIPTION
1	GD9537	1	Junction Block
2	G6400-08 GR1037	7 -	Connector W/O-Ring, 3/4"-16 Male JIC To O-Ring O-Ring
3	G6400-10-08 GR1037	5 -	Connector W/O-Ring, 7/8"-14 Male JIC To 3/4"-16 O-Ring O-Ring
4	G6408-H06-O	2	Hex Socket O-Ring Plug, 9/16"-12

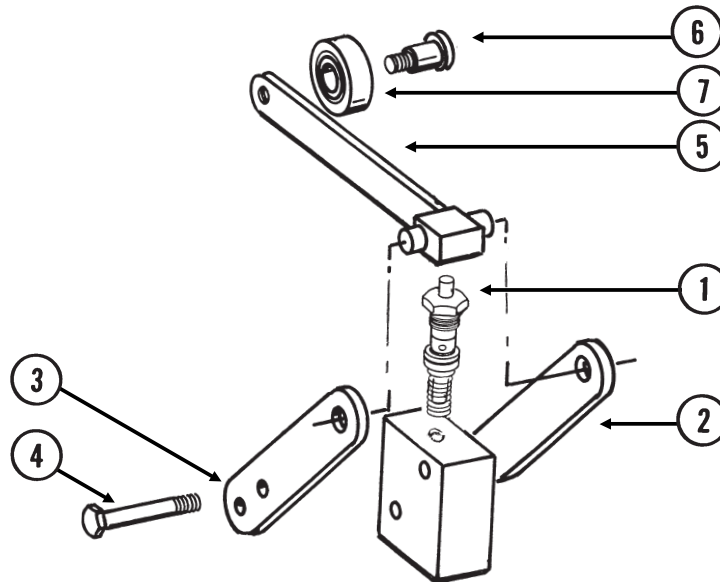
VVB038(HYD31a)



ITEM	PART NO.	QTY.	DESCRIPTION
1	---	-	See "Check Valve" on page P102
2	G6400-04 GR1465	2 -	Connector W/O-Ring, 7/16"-20 Male JIC To O-Ring
3	G6400-10 GR1466	2 -	Connector W/O-Ring, 7/8"-14 Male JIC To O-Ring
4	GD13447	1	Block

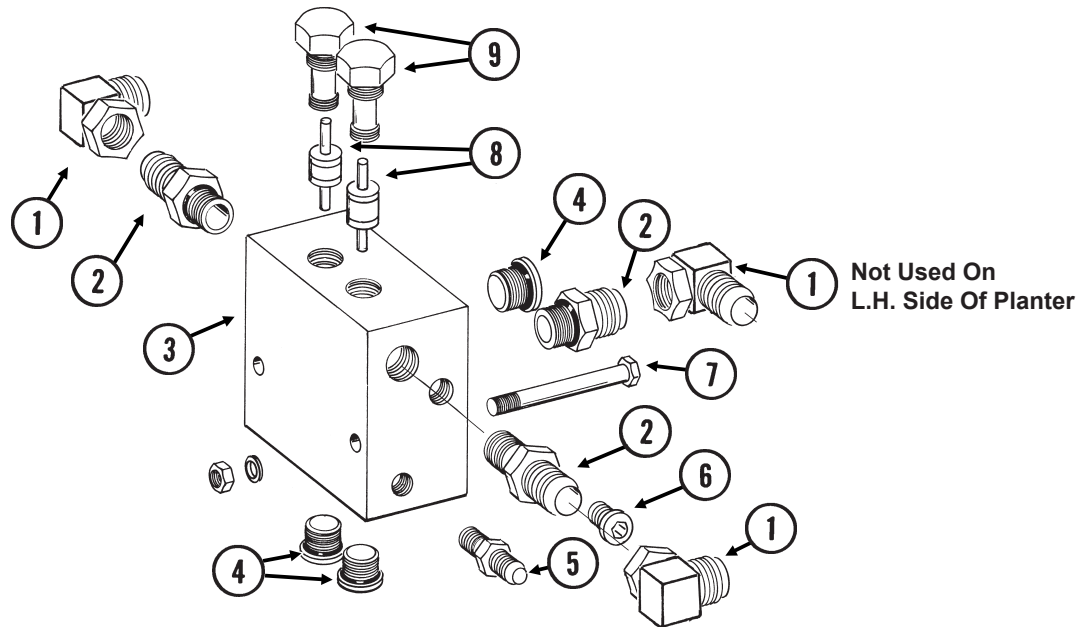
**Detent Lever Valve**

VVB033(FF24)



ITEM	PART NO.	QTY.	DESCRIPTION
1	GR1254	1	Valve
2	GR1259	1	Bar
3	GR1255	1	Bar
4	G10060 G11387 G10106	2 2 2	Hex Head Cap Screw, 5/16"-18 x 2 1/2" Flat Washer, 3/8" SAE Hex Nut, 5/16"-18
5	GR1256	1	Arm
6	GR1258	1	Socket Shoulder Screw, 1/2"
7	GR1257	1	Stainless Steel Bushing
A	GA6782	-	Detent Lever Valve Complete
B	GR1260	-	Seal Kit (For GR1254 Valve), Includes: (2) BU Rings, (3) O-Rings

VVB039(HYD30)



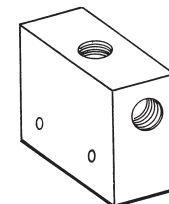
ITEM	PART NO.	QTY.	DESCRIPTION
1	G6500-08	2-3	Swivel Elbow, 90°, 3/4"-16 Male JIC To Female
	G6502-08	-	Swivel Elbow, 45°, 3/4"-16 Male JIC To Female
2	G6400-08	3	Connector W/O-Ring, 3/4"-16 Male JIC To O-Ring
	GR1037	-	O-Ring
3	GR1455	1	Block <b>(Non-Stock Item)</b>
4	GR1047	3	Hex Socket Plug W/O-Ring
	GR1037	-	O-Ring
5	G6400-04	1	Connector W/O-Ring, 7/16"-20 Male JIC To O-Ring
	GR1465	-	O-Ring
6	GR1034	1	Hex Socket Plug W/O-Ring
	GR1035	-	O-Ring
7	G10062	1	Hex Head Cap Screw, 3/8"-16 x 3"
	G10229	1	Lock Washer, 3/8"
	G10101	1	Hex Nut, 3/8"-16
8	GR1457	2	Pilot Piston <b>(Non-Stock Item)</b>
9	GR1456	2	Cartridge <b>(Non-Stock Item)</b>
A	GA8409	-	Pilot Operated Check Valve (Items 3, 4, 6, 8 And 9)
B	GR1458	-	Seal Kit, Includes: (2) Cartridge Seal Kits, (5) O-Rings, (2) BU Rings

Stroke Limiter Valve

(FF23b)

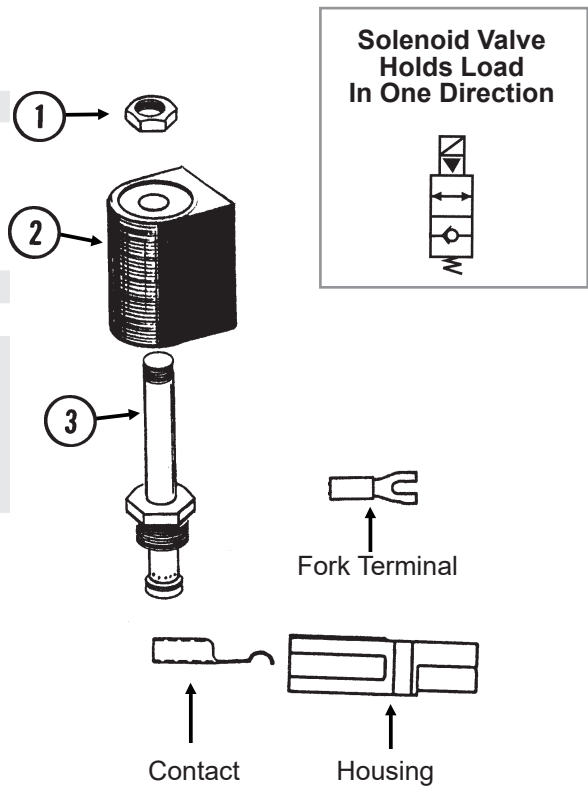


ITEM	PART NO.	QTY.	DESCRIPTION
A	GA12105	-	Stroke Limiter Valve Complete (Part Number Stamped On Valve Block)
B	G1K255	-	Repair Kit, Includes: (1) Adapter, (1) Poppet, (1) Seal Kit W/O-Rings And BU Ring



VVB019(TWL27c/TWL18/PLTR75c/A9481)

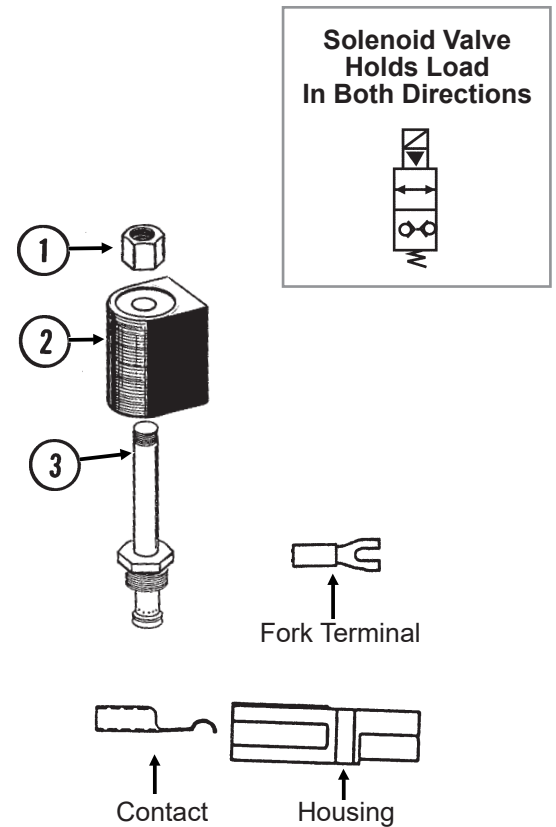
ITEM	PART NO.	QTY.	DESCRIPTION
1	GR0761	1	Special Hex Nut, 1/2"-20
2	G1K274	1	Coil Kit W/Contacts, Housings And Fork Terminals
	GD9529	2	Housing, Black
	GD9530	2	Contact
	G10996	2	Fork Terminal
3	GR0763	1	Cartridge
A	G1K275	-	Solenoid Valve Kit W/Solenoid Valve, Contacts, Housings And Fork Terminals
	GD9529	2	Housing, Black
	GD9530	2	Contact
	G10996	2	Fork Terminal
B	GR0764	-	Seal Kit, Includes: (2) O-Rings, (1) BU Ring



Solenoid Valve (G1K276)

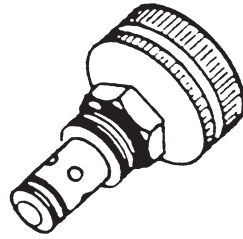
VVB019(FF25/TWL18/PLTR75c)

ITEM	PART NO.	QTY.	DESCRIPTION
1	GR1322	1	Special Hex Nut, 1/2"-20
2	G1K274	1	Coil Kit W/Contacts, Housings And Fork Terminals
	GD9529	2	Housing, Black
	GD9530	2	Contact
	G10996	2	Fork Terminal
3	GR1321	1	Cartridge
A	G1K276	-	Solenoid Valve Kit W/Housings, Contacts, And Forked Terminals
	GD9529	2	Housing, Black
	GD9530	2	Contact
	G10996	2	Fork Terminal
B	GR2042	-	Seal Kit





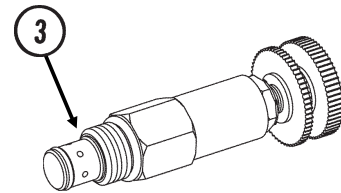
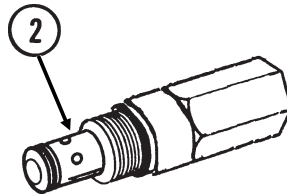
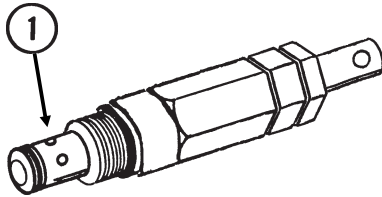
VVB020(TWL28)



ITEM	PART NO.	QTY.	DESCRIPTION
A	GA3413	-	Flow Control Valve
B	GR0764	-	Seal Kit, Includes: (2) O-Rings, (1) BU Ring

**Pressure Relief Valves**

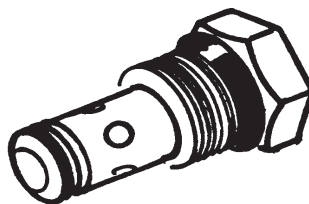
VVB020(FF46/FF46a/FF104)



ITEM	PART NO.	QTY.	DESCRIPTION
1	GA8844 GR1515	- -	Pressure Relief Valve, 1500 PSI Seal Kit, Includes: (2) O-Rings, (1) BU Ring
2	GA10140 GR0764	- -	Pressure Relief Valve, 550 PSI Seal Kit, Includes: (2) O-Rings, (1) BU Ring
3	GA3407 GR0764	- -	Pressure Relief Valve, 1000 PSI Seal Kit, Includes: (2) O-Rings, (1) BU Ring

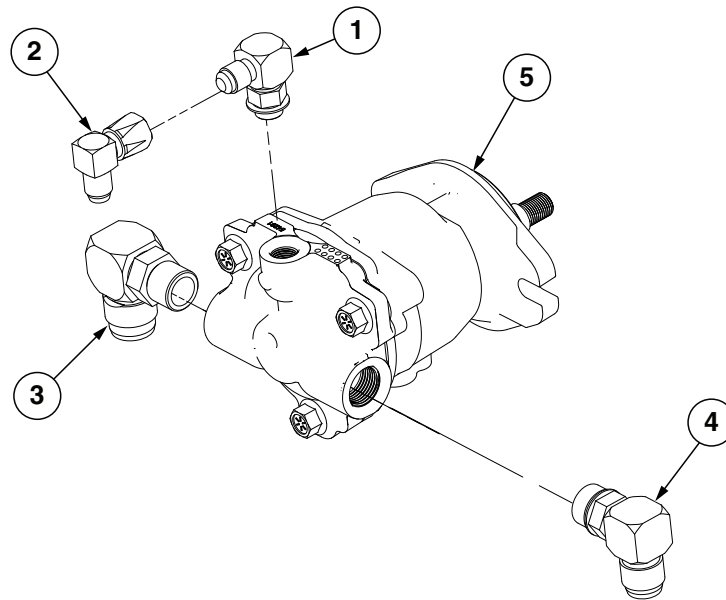
**Check Valve**

VVB020(TWL30)



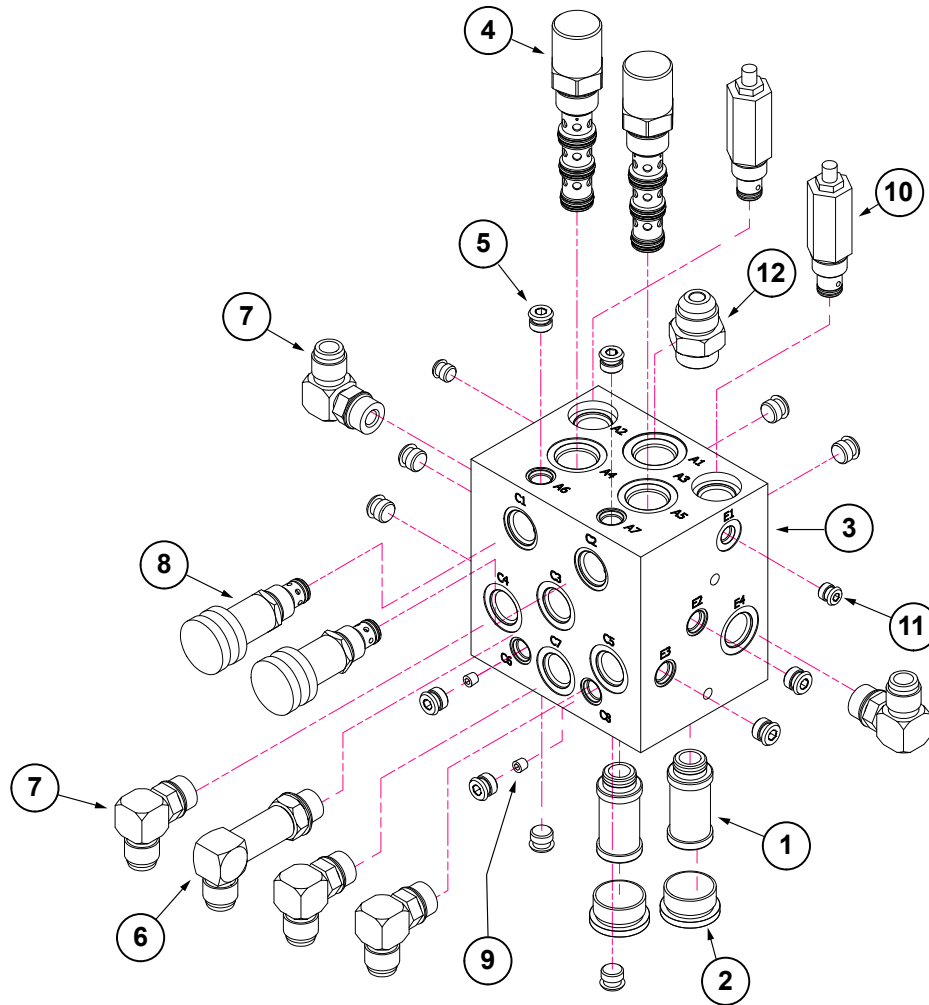
ITEM	PART NO.	QTY.	DESCRIPTION
A	GA4293	-	Check Valve
B	GR0764	-	Seal Kit, Includes: (2) O-Rings, (1) BU Ring

(A10636)



ITEM	PART NO.	QTY.	DESCRIPTION
1	G6801-06 GR1045	1 -	Elbow W/O-Ring, 90°, 1/16"-18 Male JIC To O-Ring O-Ring
2	G6500-06	1	Swivel Elbow, 90°, 1/16"-18 Male JIC To Female
3	G6801-12-10 GR1466	1	Elbow W/O-Ring, 90°. 1 1/16"-12 Male JIC To 7/8"-14 O-Ring O-Ring
4	G6801-10 GR1466	1	Elbow W/O-Ring, 90°, 7/8"-14 Male JIC To O-Ring O-Ring
5	GA24543 GR2314 GR2333	1 - -	Hydraulic Motor Motor Key Seal Kit

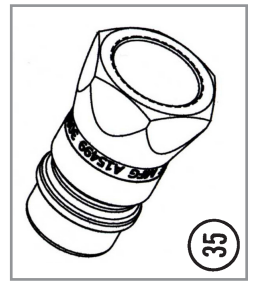
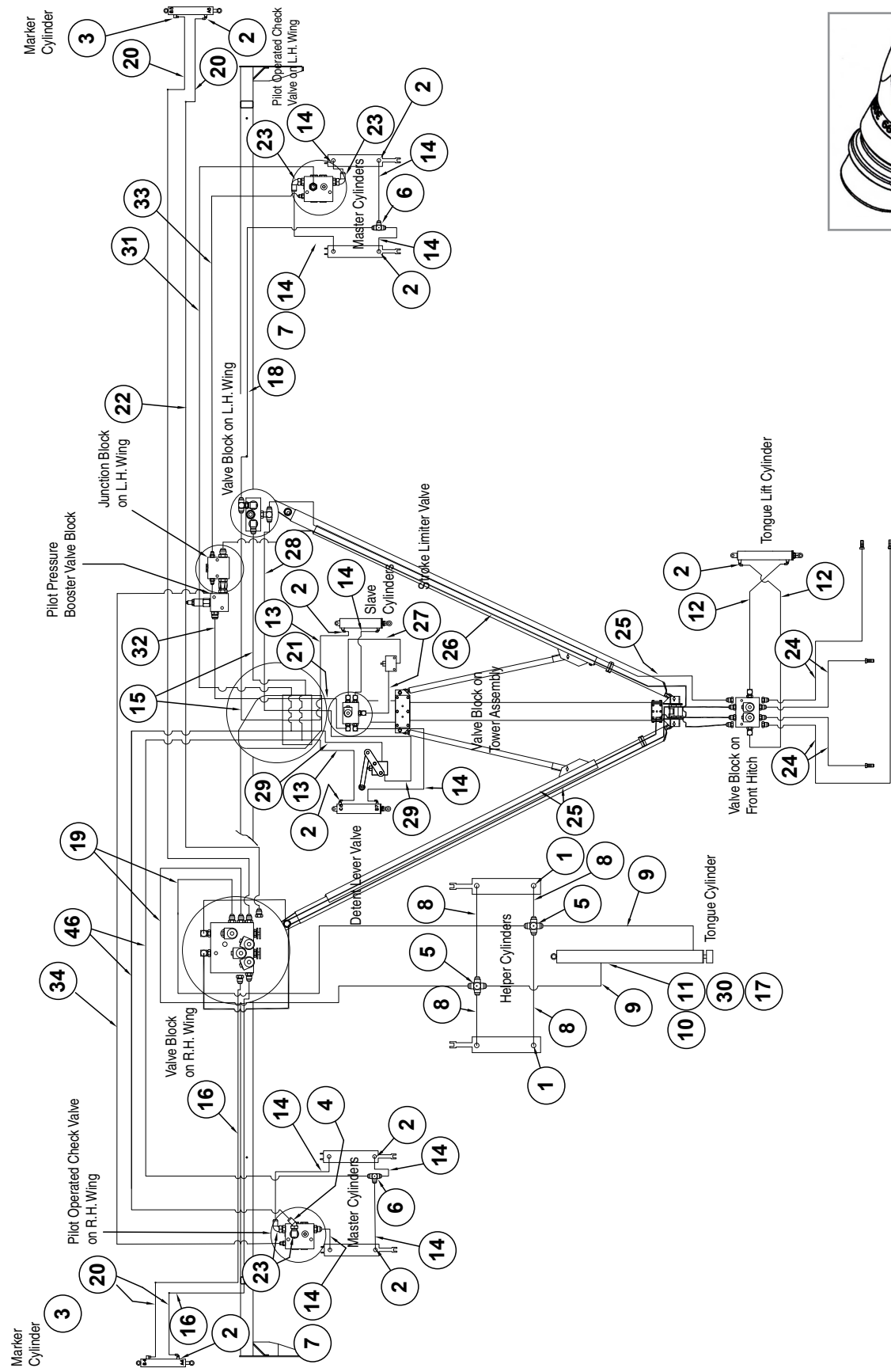
(101708)



ITEM	PART NO.	QTY.	DESCRIPTION
1	GR2312	2	Filter Cartridge
2	G6408-HHP-16	2	O-Ring Plug, 1-5/16"-12
3	G10170701	1	Hydraulic Block
4	A20269	2	Pressure Compensator, 160 PSI
5	GD29319	12	Plug
6	G6801-LL-10 GR1466	1 -	X-Long Elbow W/O-Ring, 90°, 7/8"-14 Male JIC To O-Ring O-Ring
7	G6801-10 GR1466	5 -	Elbow W/O-Ring, 90°, 7/8"-14 Male JIC To O-Ring O-Ring
8	G10123401	2	Adjustable Flow Control Valve
9	GD29315	2	Flow Restrictor Orifice, .015" Diameter
10	G10349401	2	Pressure Relief Valve
11	GD29321	2	Plug
12	G6400-12 GR1467	1 -	Connector, W/O-Ring, 1 1/16"-12 Male JIC To O-Ring O-Ring

**This page left blank intentionally.**

(IP1142-1a)



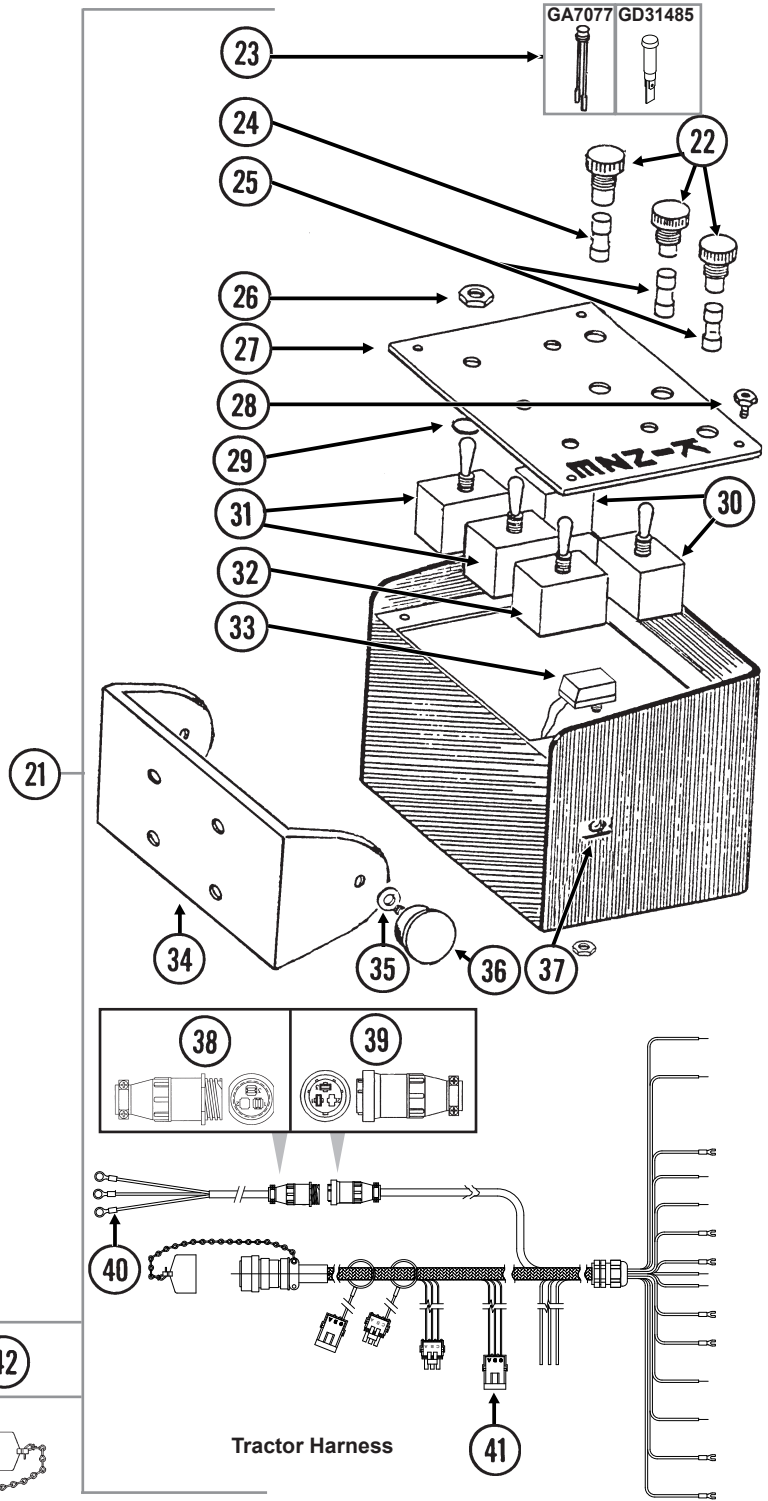
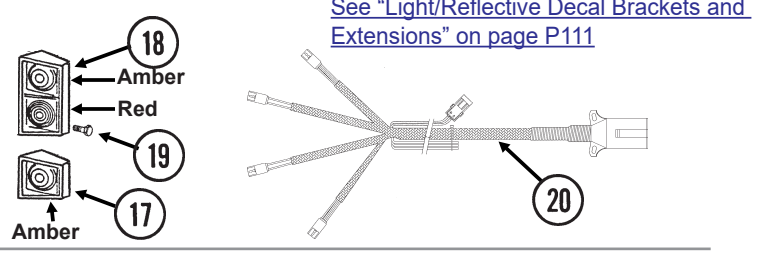
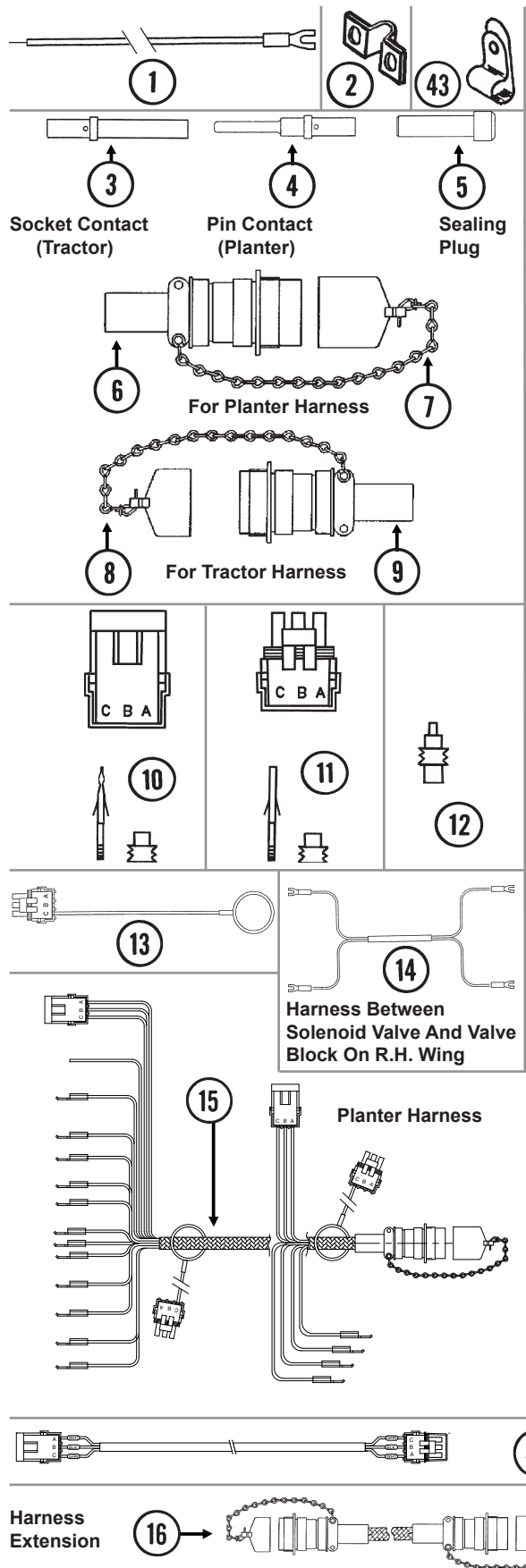
## Hydraulic System

M0313-02

Model 3705

ITEM	PART NO.	QTY.	DESCRIPTION
1	G6801-06-08 GR1037	4 -	Connector W/O-Ring, 1/16"-18 Male JIC To 3/4"-16 O-Ring O-Ring
2	G6801-08 GR1037	14 -	Elbow W/O-Ring, 90°, 3/4"-16 Male JIC To O-Ring O-Ring
3	G6400-08 GR1037	2 -	Connector W/O-Ring, 3/4"-16 Male JIC To O-Ring O-Ring
4	G6502-08	1	Swivel Elbow, 45°, 3/4"-16 Male JIC To Female
5	G2650-06	2	Cross, 1/16"-18 Male JIC
*6	G2603-08	2	Tee, 3/4"-16 Male JIC
7	*A15094-34	2	Hose Assembly, 3/8" x 34" (08M-08F)
8	*A1189	4	Hose Assembly, 1/4" x 36"
9	*A1146	2	Hose Assembly, 1/4" x 12"
10	G6400-06-08 GR1037	1 -	Connector W/O-Ring, 1/16"-18 Male JIC To 3/4"-16 O-Ring O-Ring
11	G6502-06	2	Swivel Elbow, 45°, 1/16"-18 Male JIC To Female
12	*A1044	2	Hose Assembly, 3/8" x 34"
13	*A3140	2	Hose Assembly, 3/8" x 94"
14	*A3119	10	Hose Assembly, 3/8" x 36"
15	*A1026	2	Hose Assembly, 3/8" x 152"
16	*A1031	2	Hose Assembly, 3/8" x 234"
17	G2406-08-06	1	Reducer, 3/4"-16 Female JIC To 1/16"-18 Male JIC
18	*A3161	1	Hose Assembly, 3/8" x 210"
19	*A3299	2	Hose Assembly, 3/8" x 164"
20	*A1072	4	Hose Assembly, 3/8" x 48"
21	*A1421	1	Hose Assembly, 1/2" x 107"
22	*A12000	2	Hose Assembly, 3/8" x 548"
23	G6500-08	4	Swivel Elbow, 90°, 3/4"-16 Male JIC To 1/16"-18 Female
24	*A1412	4	Hose Assembly, 1/2" x 130"
25	*A1485	3	Hose Assembly, 1/2" x 330"
26	*A8208	1	Hose Assembly, 1/2" x 374"
27	*A1424	2	Hose Assembly, 1/2" x 30"
28	*A1487	1	Hose Assembly, 1/2" x 150"
29	*A1465	2	Hose Assembly, 1/2" x 84"
30	G6500-06	1	Swivel Elbow, 90°, 1/16"-18 Male JIC To Female
31	*A1038	3	Hose Assembly, 3/8" x 370"
32	*A1475	1	Hose Assembly, 1/2" x 108"
33	*A7678-270	1	Hose Assembly, 1/4" x 270"
34	*A7679-436	1	Hose Assembly, 1/4" x 436"
35	GA15499	-	Coupler

**\*Hydraulic hose is not stocked by Kinze Repair Parts, but can be made available on a special order basis. Call for quote.**



ITEM	PART NO.	QTY.	DESCRIPTION
1	GA9481 G10996	- -	Jumper Wire W/Fork Terminal, 13" Fork Terminal
2	GD13310	-	Jumper, 7/16"
3	GD8740	-	Socket Contact, No. 14
4	GD8741	-	Pin Contact, No. 14
5	GD8739	-	Sealing Plug, No. 12
6	GA6109	1	Connector W/Cable Clamp, 23 Pin Capacity
7	GA7862	-	Dust Cap W/Chain
8	GA7863	-	Dust Cap W/Chain
9	GA6108	1	Connector W/Cable Clamp, 23 Socket Capacity
10	G1K248	-	3-Pin Female Connector Kit (Black), Includes: (3) 3-Pin Female Housings, (9) Pin Contacts, (9) Seals
11	G1K252	-	3-Pin Male Connector Kit (Black), Includes: (3) 3-Pin Male Housings, (9) Socket Contacts, (9) Seals
12	GD11089	-	Sealing Plug
13	GA8047	-	Dust Plug (Black)
14	GA9513	1	Wiring Harness, 312", From Valve Block On R.H. Wing To Tower Assembly
15	GA16337	1	Wiring Harness W/Dust Cap, 468"
16	GA11736	-	Harness Extension W/Dust Caps, 180"
17	GA6701 GR1204 GR1206 GR1207 GR1208	1 - - - -	Single Amber Light Assembly Amber Lens Rubber Grommet (2) Lamp Unit Bulb
18	GA6699 GA6700 GR1203 GR1204 GR1205 GR1206 GR1207 GR1208	1 1 - - - - - -	Double Light Assembly Double Light Assembly (Shown) Red Lens Amber Lens Cover Rubber Grommet (4) Lamp Unit Bulb
19	G10021 G10110	8 16	Hex Head Cap Screw, 1/4"-20 x 1 1/2" Lock Nut, 1/4"-20, Grade B
20	GA24472 GA5385	1 -	Lights Wiring Harness, W/7 Terminal Femal Connector, 725" (4 Light Connections) 7 Terminal Female Connector
21	G7633X  G7639X	-  -	Backlit Control Console Assembly W/Mounting Brackets, Short Harness W/Dust Cap And Power Cable (Shown) Backlit Control Console Assembly W/Mounting Brackets, Short Harness W/Dust Cap And Power Cable, Planters Equipped With Two-Speed Point Row Clutches
22	GA2612	3-5	Fuse Holder W/Spade, 1 <sup>33</sup> / <sub>60</sub> "
23	GA7077 GD31485	1-4 1	Indicator Light LED Indicator Light
24	GD2829	1-2	Fuse, 15 Amp, Type AGC
25	GD10243	2-6	Fuse, MDL 10 Amp Delay Action
26	GR1363 GR1364	5 5	Hex Face Nut, 1 <sup>5</sup> / <sub>32</sub> "-32 Internal Tooth Lock Washer, 1 <sup>5</sup> / <sub>32</sub> "
27	GA8734 GA8735	1 -	Cover Plate (Shown) Cover Plate, Planters Equipped With Two-Speed Point Row Clutches
28	GR1292	4	Pan Head Screw, No. 8-32 x 1/2"
29	GD3860	-	O-Ring (If Applicable)
30	GA2528	2	Switch, 3 Position Toggle, On-Off-On
31	GA6978	2	Switch, 3 Position Toggle, Momentary On-Off-Momentary On

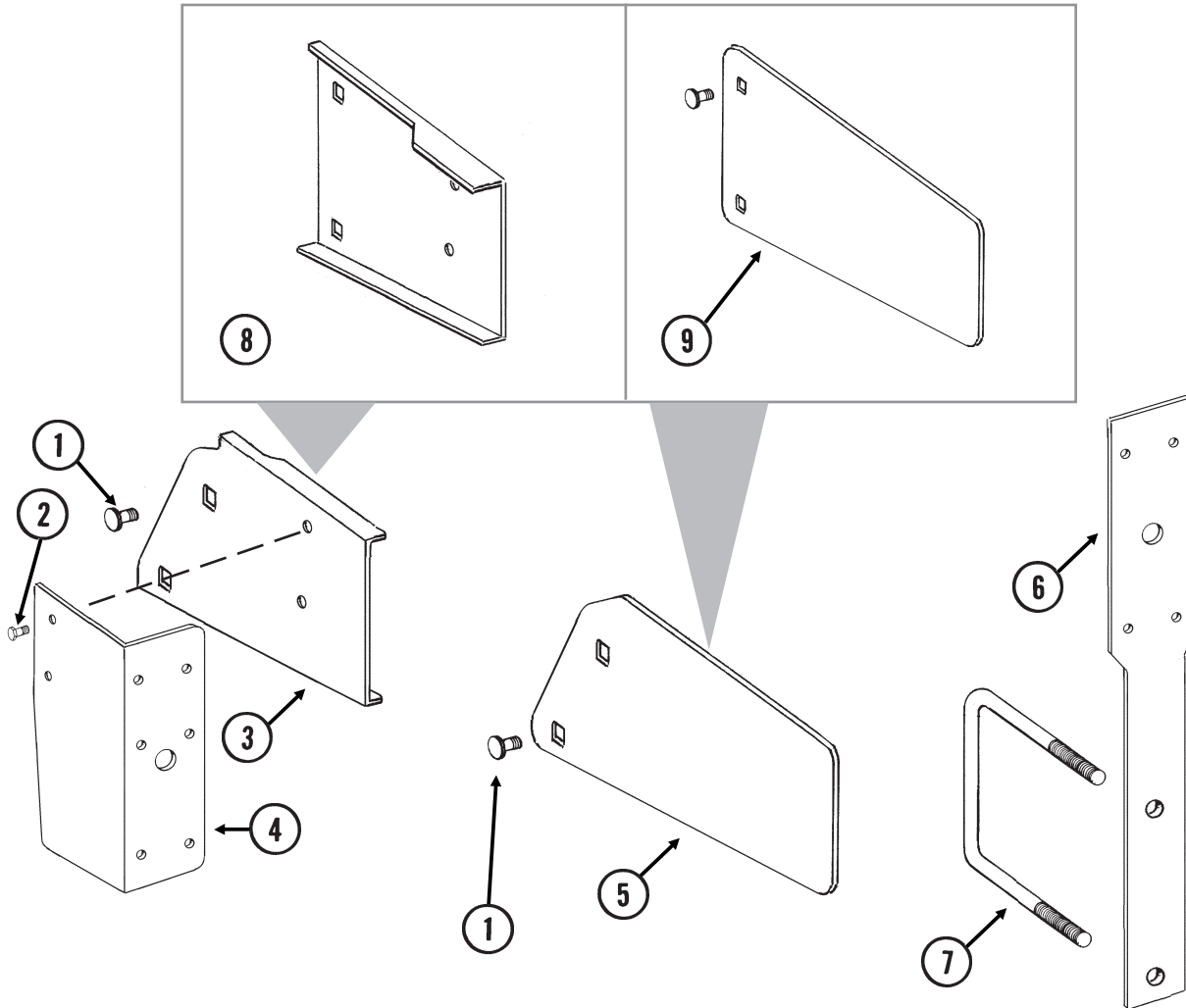
Continued on the next page.



ITEM	PART NO.	QTY.	DESCRIPTION
32	GA6977	1-2	Switch, 2 Position Toggle, On-Off
33	GA8731	1	Switch, Push Button W/Transformer
34	GD9896	1	Mounting Bracket
35	G11385	4	Flat Washer, 1/4" SAE
36	GA6975	2	Knob
37	GR1290	2	Cage Nut, 1/4"-20
38	G1K267	-	Power Lead Adapter Connector Kit, Includes: (1) 3-Pin Connector, (1) Cable Clamp, (3) Male Terminal Pins
39	G1K268	-	Console Cable Connector Kit, Includes: (1) 3-Pin Connector, (1) Cable Clamp, (1) Lock Ring, (3) Female Terminal Pins
40	GA17547	1	Power Lead Adapter
41	GA16340	1	Wiring Harness W/Dust Cap And Power Cable
42	GA7855	1	Extension, 30'
43	GD22965	-	Insulated Clamp, 1/4"
	GD13348	-	Insulated Clamp, 11/16"
	GD6291	-	Insulated Clamp, 3/8"

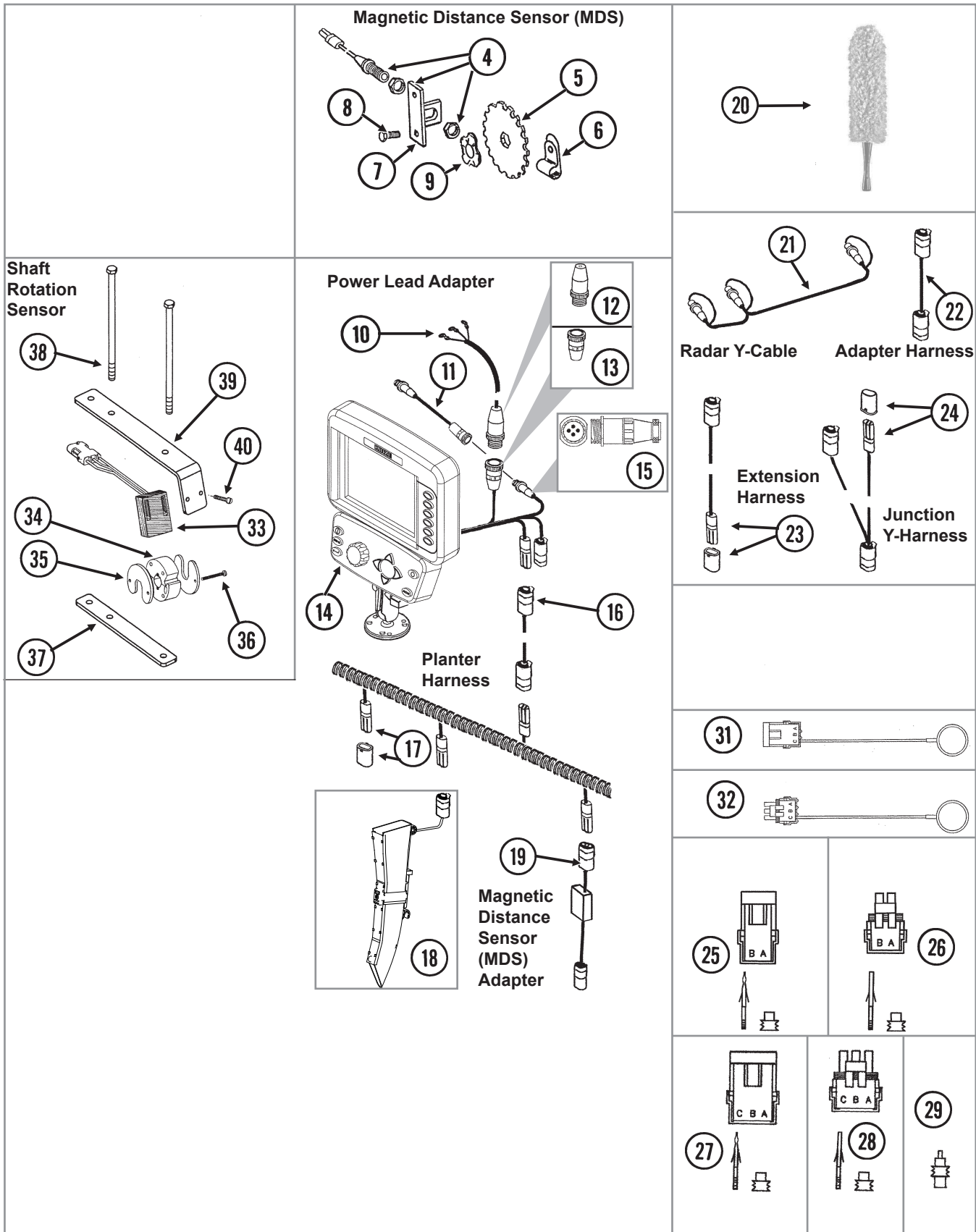
**NOTE:** See ["Point Row Clutch" on page P66](#) for R.H. and L.H. Wiring Harnesses for the point row clutches. See display unit for those components.

(RU130b/RU129/RU133/RU132/RU130a/RU131/RU129a/RU132a)



ITEM	PART NO.	QTY.	DESCRIPTION
1	G10312	-	Carriage Bolt, 5/16"-18 x 3/4"
	G10620	-	Serrated Flange Nut, 5/16"-18
2	G10064	-	Hex Head Cap Screw, 1/4"-20 x 1"
	G10110	-	Hex Nut, 1/4"-20
3	GD15968	1	Light Mount Extension
4	GD12725	1	Bracket (L.H. Wing)
	GD12724	1	Bracket (R.H. Wing) (Shown)
5	GD15967	1	Reflective Decal Bracket
6	GD13358	2	Light Bracket
7	GD17039	2	U-Bolt, 7" x 7" x 5/8"-11
	G10230	4	Lock Washer, 5/8"
	G10104	4	Hex Nut, 5/8"-11
8	GD12723	1	Light Mount Extension
9	GD12710	1	Reflective Decal Bracket

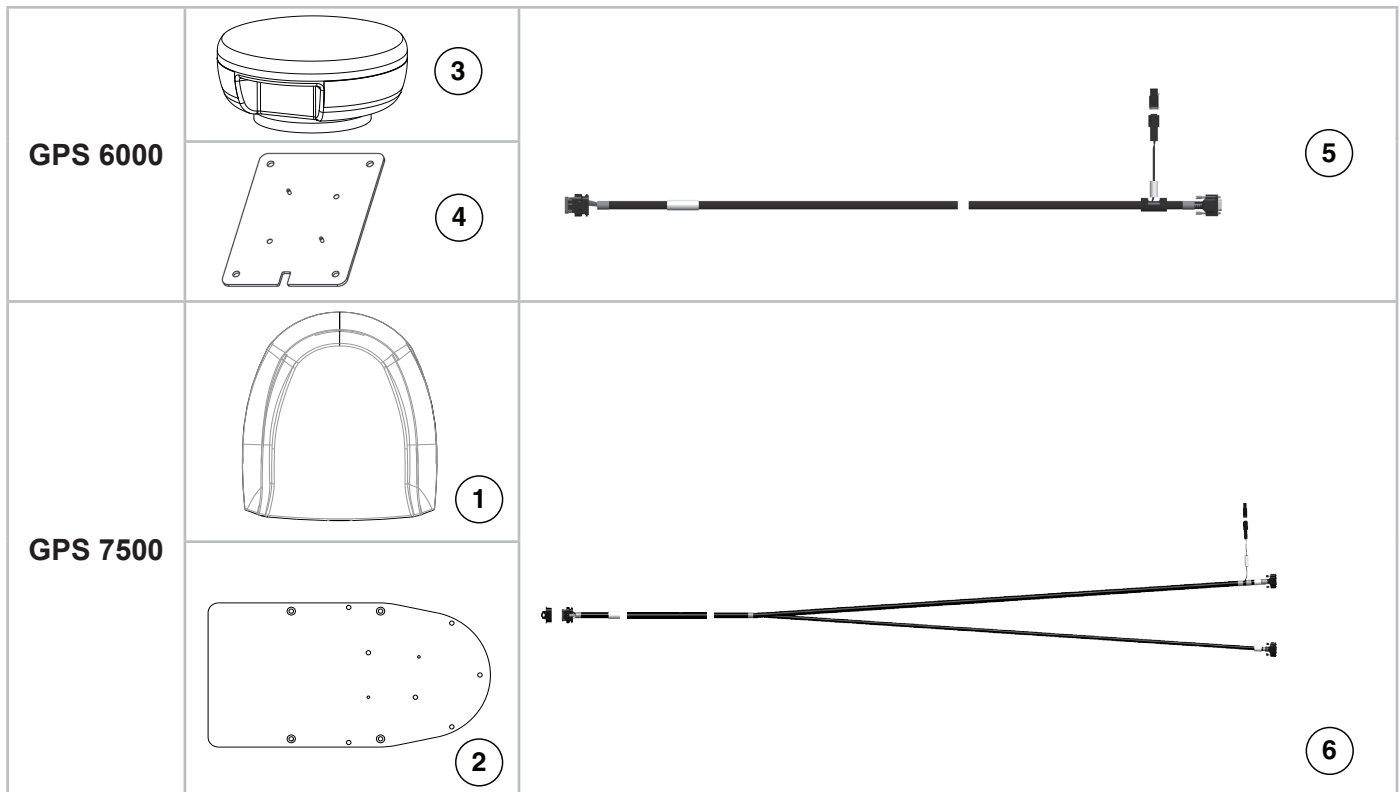
(MTR43w)



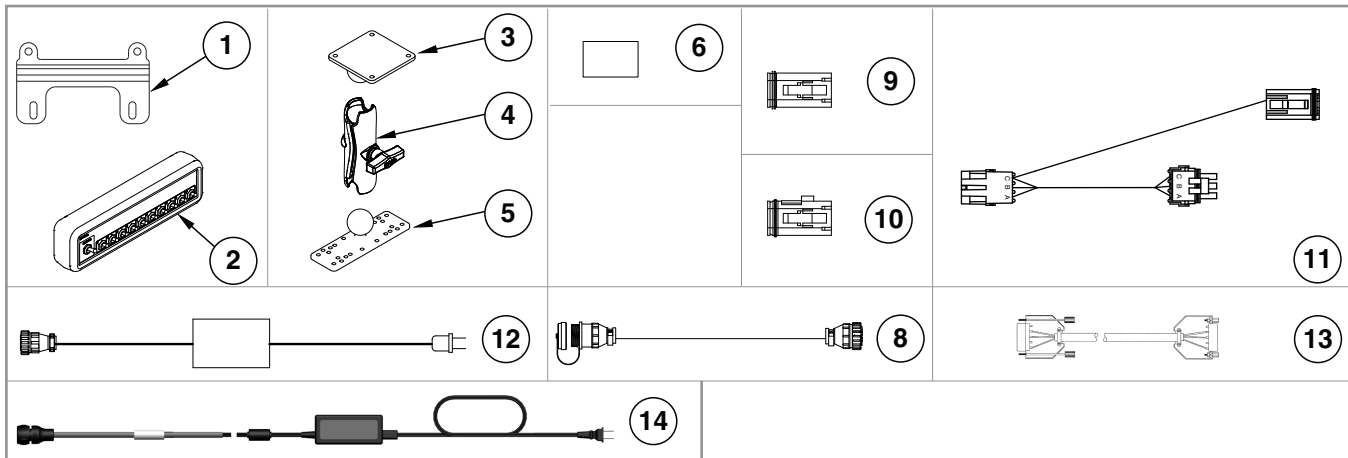
ITEM	PART NO.	QTY.	DESCRIPTION
1	---	-	---
2	---	-	---
3	---	-	---
4	GA5600	1	Magnetic Distance Sensor
5	GD8751	-	Magnetic Distance Sensor Pulse Wheel
6	GD6291	-	Insulated Clamp, 3/8"
7	GD8770	1	Bracket
8	G10001	2	Hex Head Cap Screw, 3/8"-16 x 1"
	G10229	2	Lock Washer, 3/8"
	G10101	2	Hex Nut, 3/8"-16
9	GD8771	1	Spring Wave Washer
10	GA17547	1	Power Lead Adapter
11	GA9144	-	Monitor/Radar Adapter Cable, 10"
12	G1K267	-	Power Lead Adapter Connector Kit, Includes: (1) Cable Clamp, (1) 3-Pin Connector, (3) Male Terminal Pins
13	G1K268	-	Console Cable Connector Kit, Includes: (1) Cable Clamp, (1) 3-Pin Connector, (1) Lock Ring, (3) Female Terminal Pins
14	G8647X	1	KPM III Backlit Console W/Brush (Item 20), Dust Plug (Item 32), Mounting Bracket Assembly, Console Mounting Bracket Hardware And Power Harness
	GA12403	-	Mounting Bracket Assembly, Includes: (2) Mounting Brackets, (2) Connector Halves, (1) Compression Spring, (1) Tension Knob, (1) 1/4"-20 x 1 3/4" Hex Head Cap Screw, (1) 1/4" Plastic Washer, (1) 1/4" Steel Washer
	GR1762	-	Console Mounting Bracket Hardware Package, Includes: (3) No. 10-32 x 5/8" Hex Socket Pan Head Screws, (3) No. 10 Lock Washers
	GA16082	-	Power Harness
15	G1K322	-	4-Pin Connector Kit W/Male Housing, (4) Female Socket Contacts and (1) Cable Clamp
16	---	-	Included In Tractor/Planter Wiring Harness, <a href="#">See "Electrical Components" on page P108</a>
17	GA7852	-	Planter Harness W/Dust Caps, 16 Row (20 Connectors)
	GA8050	-	Planter Harness W/Dust Caps, 18 Row (22 Connectors)
	GB1090	-	Dust Cap
18	G10745401	-	Seed Tube W/Computerized Sensor
	GA20902	-	Seed Tube (With Holes For Sensor Installation)
19	GA7859	1	Magnetic Distance Sensor Adapter (Analog To Digital)
20	G10475701	-	Professional Microfiber Duster, 19" (for cleaning Seed Tube sensors)
21	GR0586	1	Radar Y-Cable (Used To Connect Radar Distance Sensor For Multiple Functions)
22	GA7857	-	Adapter Harness, 1'
23	GA7854	-	Extension Harness W/Dust Cap, 15'
	GA7855	-	Extension Harness W/Dust Cap, 30'
	GB1090	-	Dust Cap
24	GA7853	-	Junction Y-Harness W/Dust Cap
	GB1090	-	Dust Cap
25	G1K321	-	2-Pin Female Connector Kit (Black), Includes: (3) 2-Pin Female Housings, (6) Pin Contacts, (6) Seals
26	G1K320	-	2-Pin Male Connector Kit (Black), Includes: (3) 2-Pin Male Housings, (6) Socket Contacts, (6) Seals

Continued on the next page.

ITEM	PART NO.	QTY.	DESCRIPTION
27	G1K248	-	3-Pin Female Connector Kit (Black), Includes: (3) 3-Pin Female Housings, (9) Pin Contacts, (9) Seals
	G1K362	-	3-Pin Female Connector Kit (Blue), Includes: (3) 3-Pin Female Housings, (9) Pin Contacts, (9) Seals
28	G1K252	-	3-Pin Male Connector Kit (Black), Includes: (3) 3-Pin Male Housings, (9) Socket Contacts, (9) Seals
	G1K363	-	3-Pin Male Connector Kit (Blue), Includes: (3) 3-Pin Male Housings, (9) Socket Contacts, (9) Seals
29	GD11089	-	Sealing Plug
30	---	-	---
31	GA8046	-	Dust Plug (Black)
	GA9978	-	Dust Plug (Blue)
32	GA8047	-	Dust Plug (Black)
	GA9979	-	Dust Plug (Blue)
33	G10229401	2	Hex Head Cap Screw, $\frac{3}{8}$ "-16 x 8-1/2"
	G11387	1	Flat Washer, $\frac{3}{8}$ "
	G10108	2	Lock Nut, $\frac{3}{8}$ "-16
34	GD18118	2	Shaft Sensor Mount
35	GR1415	1	Rotation Sensor
36	GR1414	1	Actuator
37	GD18168	2	Mount
38	G11960	2	Philips Pan Head Machine Screw #8-32 x 1-1/4"
	G11961	2	Flat Washer #8
	G11202	2	Lock Nut W/Nylon Insert, No. 8-32, Stainless Steel
39	GD11474	2	Cover
40	G11202	2	Lock Nut W/Nylon Insert, No. 8-32, Stainless Steel
	G11960	2	Philips Pan Head Machine Screw #8-32 x 1-1/4"
A	GA6147	-	Magnetic Distance Sensor And Mounting Package (Items 4-9)
B	GA13521	-	Shaft Sensor Mounting Package (Items 33, 34, 36-40)
C	GA8135	-	Shaft Rotation Kit, Includes: (2) Actuators (2) Rotation Sensors
D	GA13522	-	Shaft Rotation Sensor (1 Sensor, 1 Actuator) (Items 35 and 36)



ITEM	PART NO.	QTY.	DESCRIPTION
1	G10254901	1	GPS Receiver, 7500
2	G10254901	1	GPS Receiver, 7500
3	GA21151	1	GPS Antenna, 6000
4	GA21152	1	GPS Mounting Bracket, 6000
5	GA20903	1	GPS Cable, 6000
6	G10254701	1	GPS Dual Port Receiver, 7500
A	G9421X	-	GPS 6000 Antenna Package (Items 3-5) (Sub G10201101)
B	G10201101	-	GPS 7500 Antenna Package (Items 1, 2, 6)

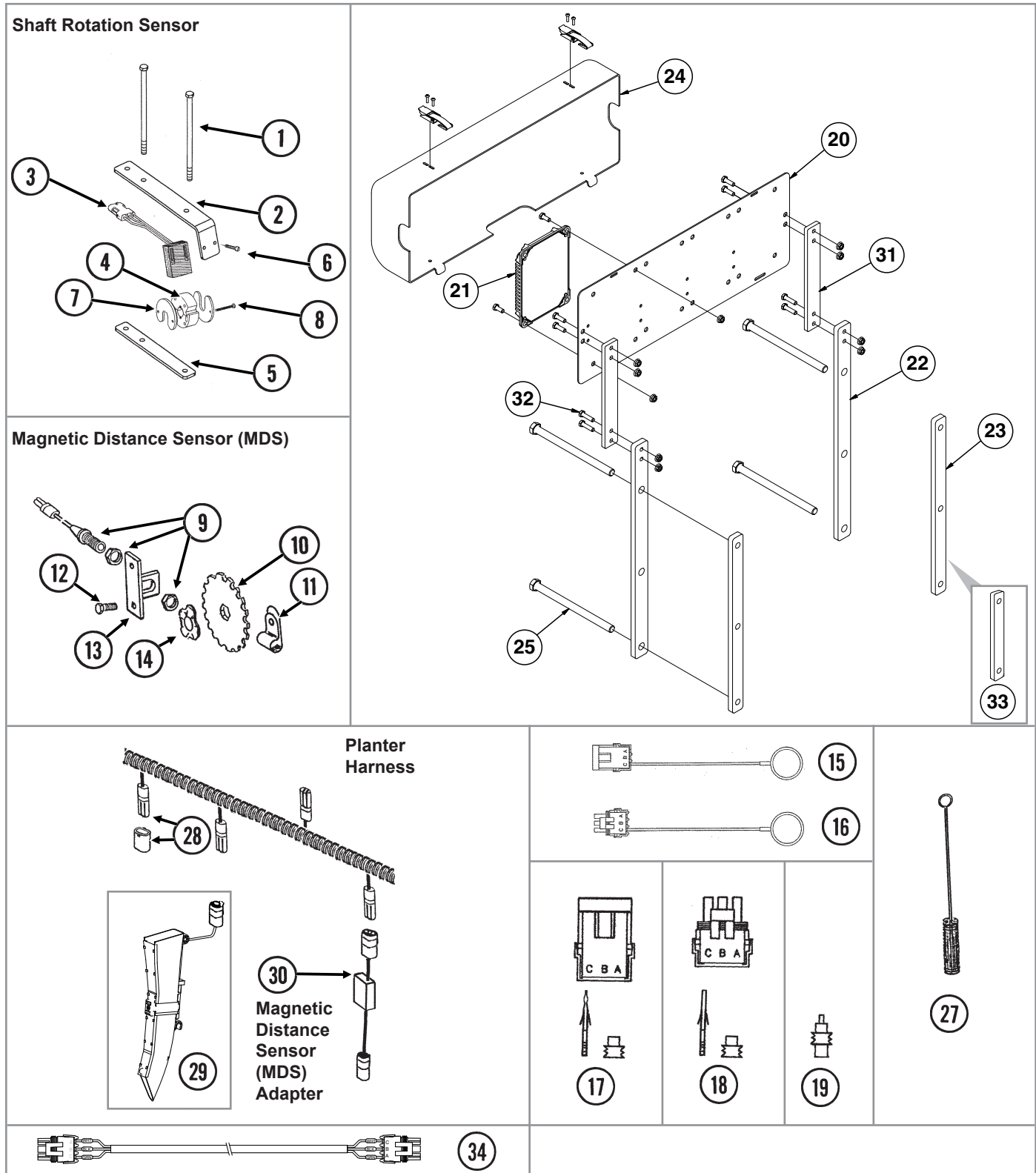


ITEM	PART NO.	QTY.	DESCRIPTION
1	GR2279	1	Switch Box Bracket
	G12103	4	Lock Washer, M6
	G12212-08	4	Phillips Pan Head Machine Screw, M6-1.0 x 8, Grade 2
2	GA12539	1	Switch Box Module
3	GD18408	1	Ram Vesa Base
4	GA12868	1	Ram Double Socket Arm
5	GD18407	1	Ram Base
6	GA14449	1	Flash Drive (Integra or InCommand)
7	---	-	---
8	GA13562	1	Cable Extension, 180"
9	GR1838	1	Dust Plug
10	GR1839	1	Dust Plug
11	GA13572	1	Multi-Product Cable
12	GA12852	1	Power Supply (Integra)
13	GA12853	1	Null Modem Cable
14	GA24649	1	Power Supply (InCommand)
A	GA14448	-	Ram Mount Hardware Kit

**This page left blank intentionally.**

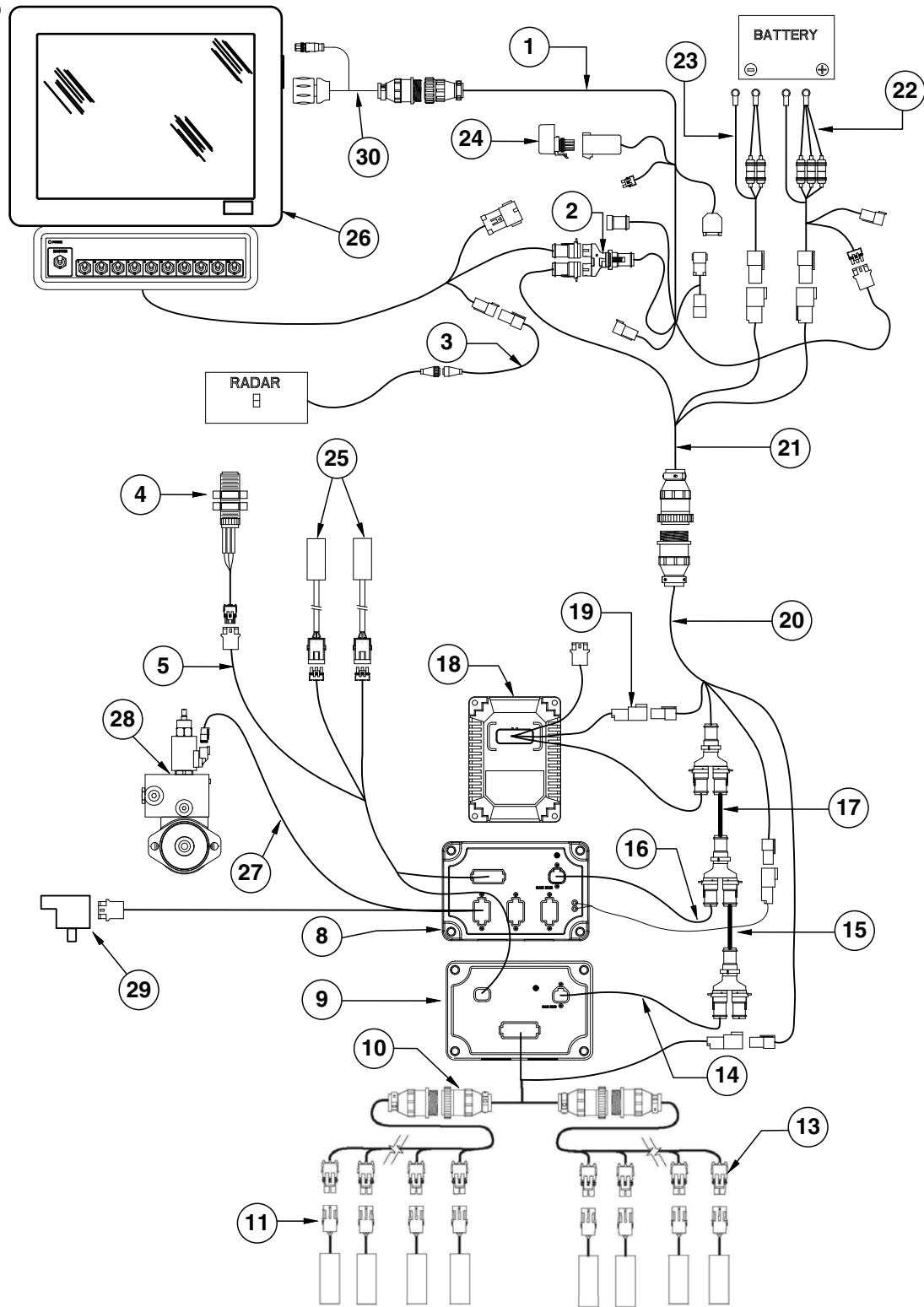


(MTR60/MTR63/PMM01/MTR65/MTR61/MTR64/MTR62/PMM02)



ITEM	PART NO.	QTY.	DESCRIPTION
1	G10686	4	Hex Head Cap Screw, 3/8"-16 x 8"
	G10229	4	Lock Washer, 3/8"
	G10101	4	Hex Nut, 3/8"-16
2	GD18118	2	Shaft Sensor Mount
3	GR1415	1	Rotation Sensor
4	GR1414	1	Actuator
5	GD18168	2	Mount
6	G10757	2	Pan Head Screw, No. 10-32 x 1 1/4"
	G10243	2	Washer, No. 10 SAE
	G10758	2	Hex Nut, No. 10-32
7	GD11474	4	Cover
8	G10927	4	Pan Head Machine Screw, No. 8-32 x 1 1/4", Stainless Steel
	G10931	4	Lock Washer, No. 8, Internal/External, Stainless Steel
	G10928	4	Hex Nut, No. 8-32, Stainless Steel
9	GA5600	1	Magnetic Distance Sensor
10	GD8751	-	Magnetic Distance Sensor Pulse Wheel
11	GD6291	-	Insulated Clamp, 3/8"
12	G10001	2	Hex Head Cap Screw, 3/8"-16 x 1"
	G10229	2	Lock Washer, 3/8"
	G10101	2	Hex Nut, 3/8"-16
13	GD8770	1	Bracket
14	GD8771	1	Spring Wave Washer
15	GA8046	-	Dust Plug (Black)
	GA9978	-	Dust Plug (Blue)
16	GA8047	-	Dust Plug (Black)
	GA9979	-	Dust Plug (Blue)
17	G1K248	-	3-Pin Female Connector Kit (Black), Includes: (3) 3-Pin Female Housings, (9) Pin Contacts, (9) Seals
	G1K362	-	3-Pin Female Connector Kit (Blue), Includes: (3) 3-Pin Female Housings, (9) Pin Contacts, (9) Seals
18	G1K252	-	3-Pin Male Connector Kit (Black), Includes: (3) 3-Pin Male Housings, (9) Socket Contacts, (9) Seals
	G1K363	-	3-Pin Male Connector Kit (Blue), Includes: (3) 3-Pin Male Housings, (9) Socket Contacts, (9) Seals
19	GD11089	-	Sealing Plug
20	GD18013	1	Bracket
	G10031	4	Hex Head Cap Screw, 5/16"-18 x 1 3/4"
	GD11963-01	4	Spacer, 1 1/16"
	G10620	8	Serrated Flange Nut, 5/16"-18
21	GA12538	1	Planter Monitor Module
	G10019	4	Hex Head Cap Screw, 5/16"-18 x 1"
	G10620	4	Serrated Flange Nut, 5/16"-18
22	GD19759	2	Module Bracket Mount, 36 Row 20"
23	GD18901	2	Tap Block, Long
24	GA12563	1	Module Cover Assembly W/Lock Clamps
25	G10152	4	Hex Head Cap Screw, 5/8"-11 x 9"
26	GA12655	1	Implement Cable (16 Row)
27	GR0594	-	Brush
28	GA7852	2	Planter Harness W/Dust Caps, 24 Row (20 Connectors)
	GA8050	-	Planter Harness W/Dust Caps, 36 Row (22 Connectors)
	GB1090	-	Dust Cap
29	GA19961	-	Seed Tube W/Computerized Sensor
	GA19960	-	Seed Tube (With Holes For Sensor Installation)
30	GA7859	1	Magnetic Distance Sensor Adapter (Analog To Digital)
31	GD24362	2	Module Extension (Bulk Fill only)
32	G10133	4	Hex Head Cap Screw, 5/16"-18 x 1 1/2"
	G10620	4	Serrated Flange Nut, 5/16"-18
33	GD18628	2	Short Tap Block, 24 Row 20" and 24 Row 22"
34	GA16923	-	Dickey John Adapter Cable
A	GA6147	-	Magnetic Distance Sensor And Mounting Package (Items 9-14)

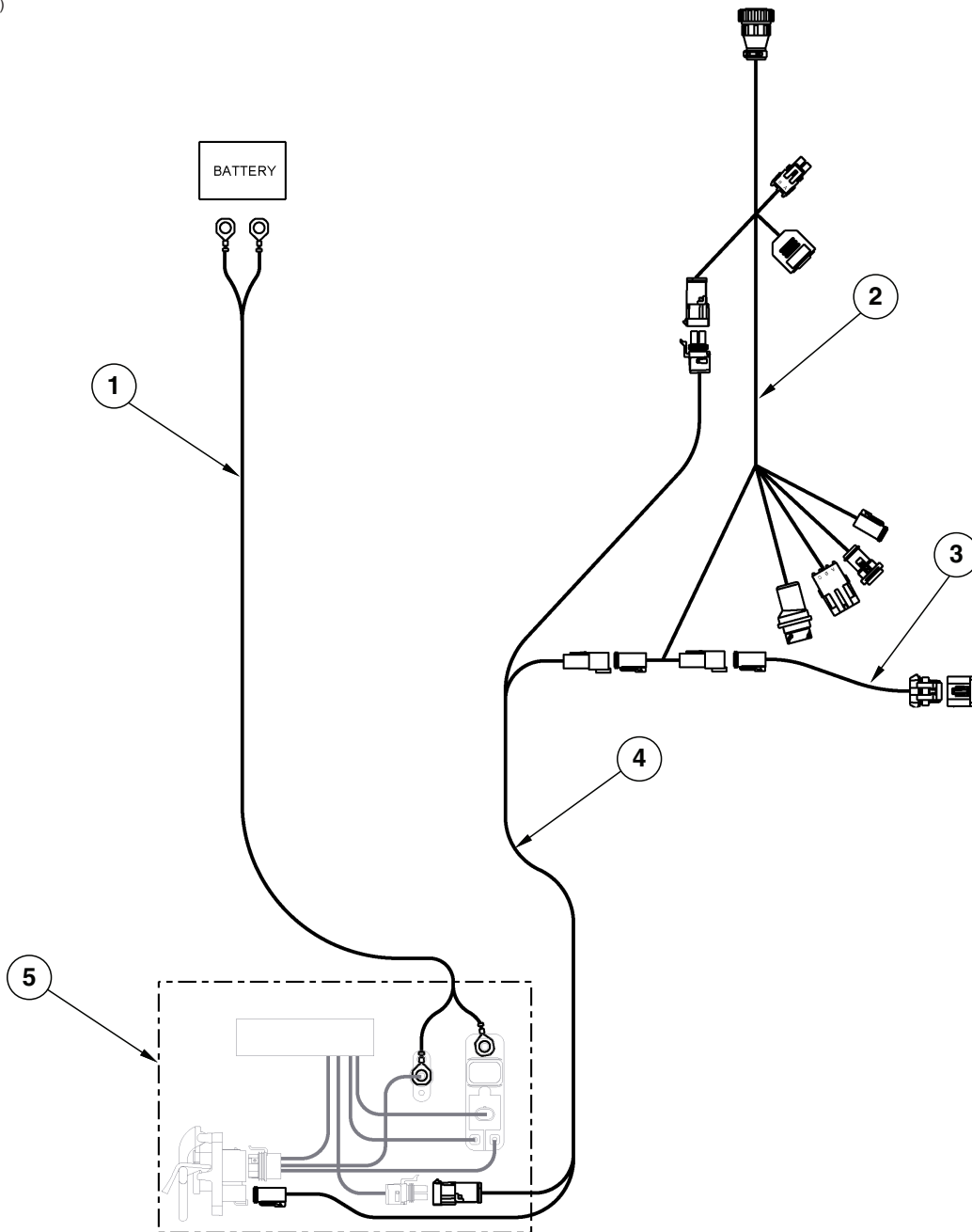
(TP1098d)



ITEM	PART NO.	QTY.	DESCRIPTION
1	GA16831 GA12551	1 -	ISOBUS Integra Display Cable Cobalt Display Cable
2	GD18176	1	Y-Splice Connector
3	GA12596	1	Radar Adapter Cable
4	GA13204	-	Hall Effect Sensor
5	GA16826	-	Implement Switch Extension Cable
6	---	-	---
7	---	-	---
8	GA12564	1	Seed Rate Control Module
9	GA12537	1	Clutch Control Module
10	GA16386 GA17012	1 -	Section Adapter Cable, 24 Row (2 Row) Section Adapter Cable, 36 Row (3 Row)
11	GA16374	-	<a href="#">See "Ag Leader Electric Clutch" on page P18</a>
12	---	-	---
13	GA18402 GA18403	1	Clutch Cable, 24 Row Clutch Cable, 36 Row
14	GA12558	1	Can Stub Cable, 8"
15	GA12559	1	Can Extension Cable, 5"
16	GA12566	1	Cab Stub Cable, 6" (Hydraulic Drive)
17	GA12567	1	Can Extension Cable, 4" (Hydraulic Drive)
18	GA16351	1	Planter Monitor Module
19	GA16352	1	PMM Cable
20	GA12655	1	Implement Cable
21	GA14450	1	CAN Adapter Cable
22	GA14452 GA12562	1	Power Cable (Integra) Power Cable (Cobalt)
23	GA12598	1	Seed Rate Power Cable
24	GA12540	1	Power Control Relay
25	GA16829	-	<a href="#">See "Parallel Arms, Mounting Support Plate, and Quick Adjustable Down Force Springs Option" on page P6</a>
26	*GA14447 *GA24887	- -	Integra Loaner Display (Display Only) (Shown) ImCommand Display
27	GA16344 GA16345	- -	R.H. Seed Rate Cable L.H. Seed Rate Cable
28	---	-	<a href="#">See "Vacuum Fan Hydraulic Motor Assembly" on page P103</a>
29	GA12565	-	Encoder Module
30	GA24652	-	InCommand to Legacy Adapter

[See "Miscellaneous Display Parts" on page P116 for mounting brackets.](#)

(TP1106)



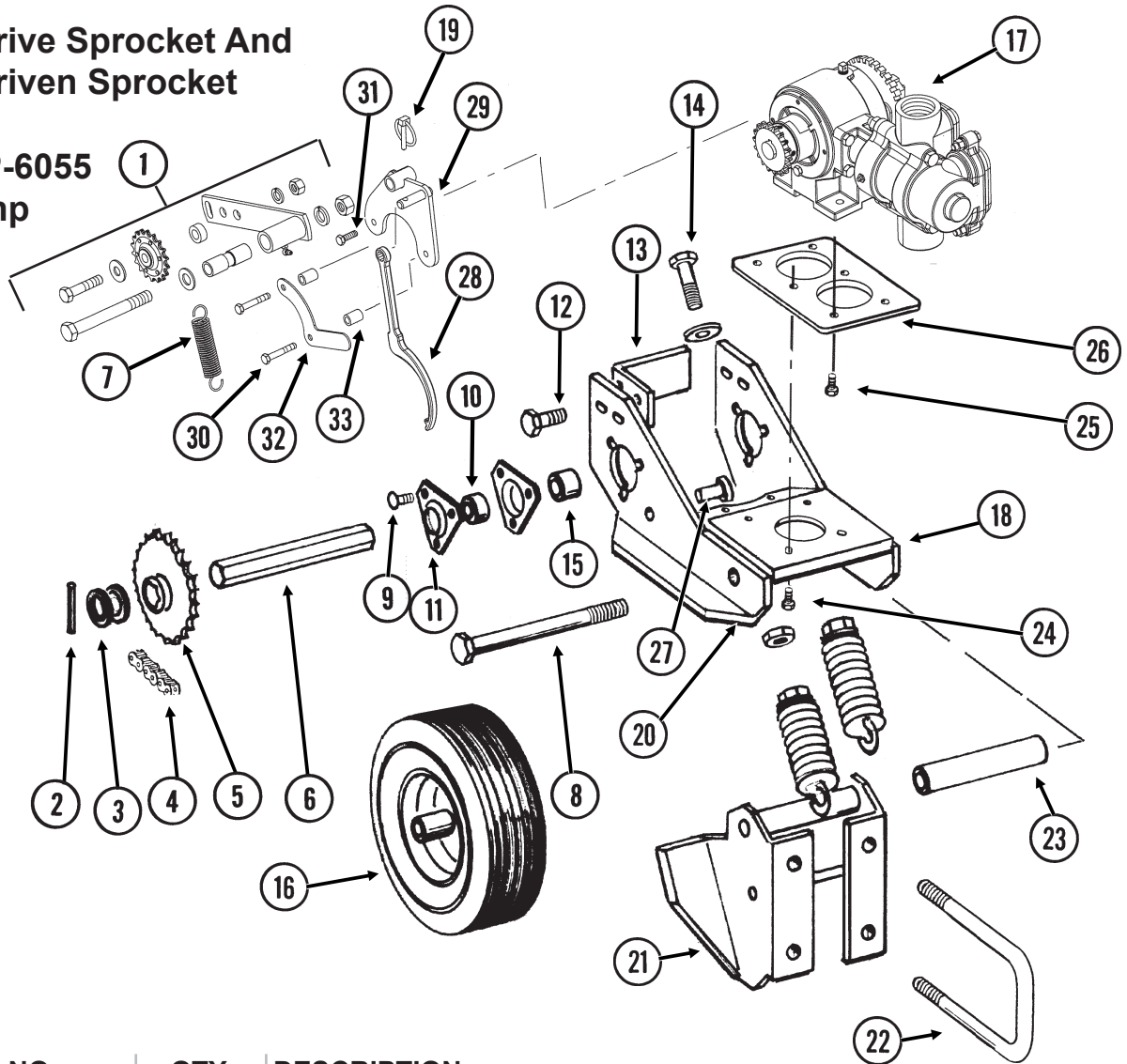
ITEM	PART NO.	QTY.	DESCRIPTION
1	GA16834	1	Battery Cable
2	---	-	<a href="#">See "Ag Leader Electric Clutch Package" on page P120</a>
3	GA16355	1	Terminator Cable
4	GA16832	1	ISO Integra Extension Cable
5	GA16833	1	ISO Connector

**This page left blank intentionally.**

(FF124a)

**40 Tooth Drive Sprocket And  
18 Tooth Driven Sprocket**

**Model NGP-6055  
Piston Pump**



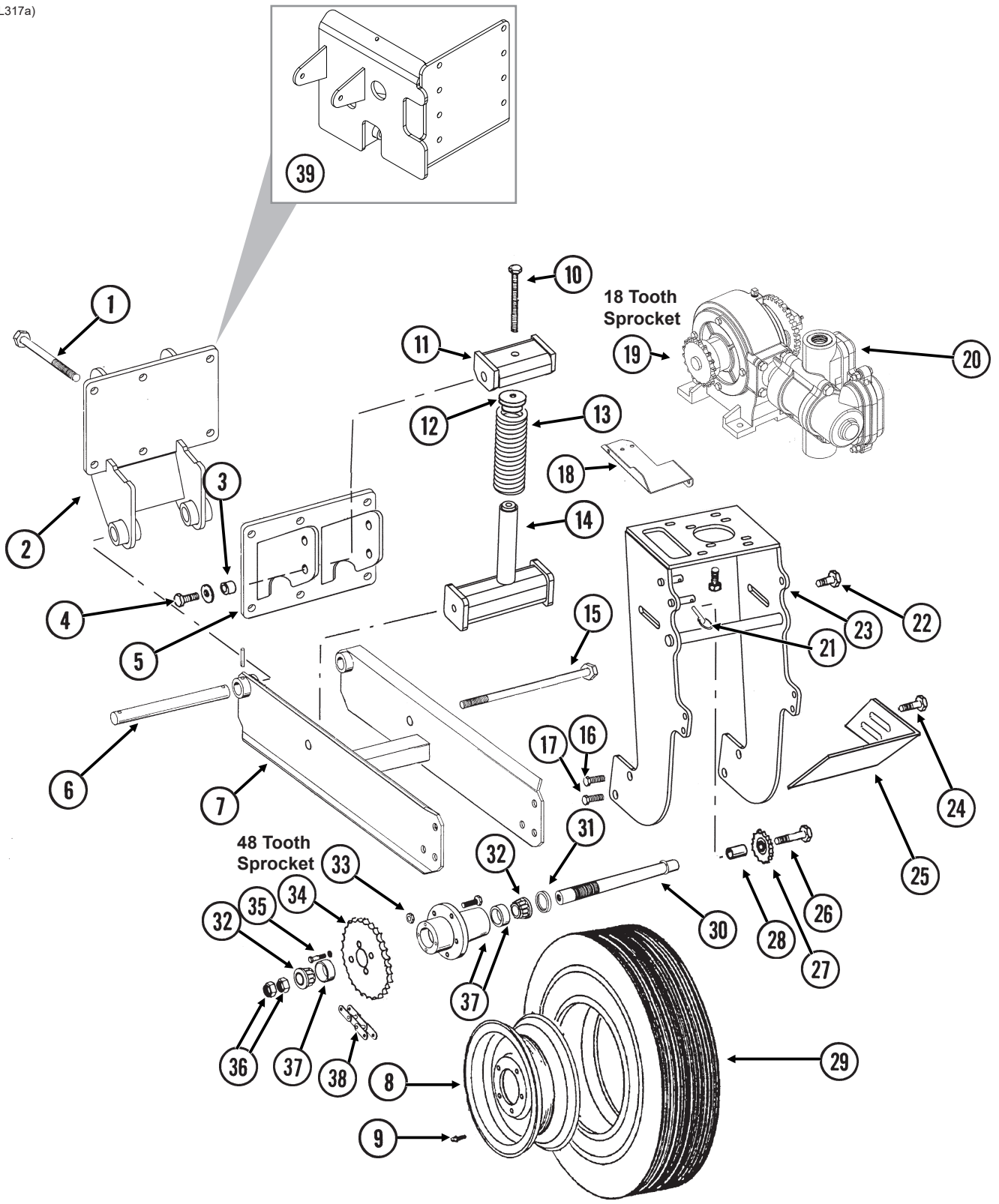
ITEM	PART NO.	QTY. (Per Assy.)	DESCRIPTION
1	GA12597	1	Idler W/Sprocket, Bushing, Spacer And Hardware
	GA7154	-	Sprocket W/Bearing, 18 Tooth
	GD7889	-	Bushing, 1" O.D. x 3/16" I.D x 7/16" Long
	G10581	-	Hex Head Cap Screw, 1/2"-13 x 2 1/4"
	G11389	-	Flat Washer, 1/2" SAE
	G10228	-	Lock Washer, 1/2"
	G10102	-	Hex Nut, 1/2"-13
	G10011	-	Hex Head Cap Screw, 5/8"-11 x 5 1/2"
	G11391	-	Flat Washer, 5/8" SAE
	G10230	-	Lock Washer, 5/8"
	G10104	-	Hex Nut, 5/8"-11
	GD10254	-	Spacer, 2 3/4"
	GA7248	-	Idler Arm
	G10779	-	Grease Fitting, 90°, 1/4"-28
2	G10602	2	Spring Pin, 1/4" x 1 1/2"
3	G10233	5	Machine Bushing, 1", 10 Gauge
4	G3310-91	1	Chain, No. 40, 91 Pitch Including Connector Link And Offset Link
	GR0912	-	Connector Link, No. 40
	GR0911	-	Offset Link, No. 40

ITEM	PART NO.	QTY. (Per Assy.)	DESCRIPTION
5	GA7180	1	Sprocket, 40 Tooth
6	GD6825-11.25	1	Hex Shaft, 7/8" x 11 1/4" (2 Holes)
7	GD5857	1	Spring
8	G10093	1	Hex Head Cap Screw, 5/8"-11 x 8 1/2"
	G10230	1	Lock Washer, 5/8"
	G10104	1	Hex Nut, 5/8"-11
9	G10302	6	Carriage Bolt, 5/16"-18 x 7/8"
	G11386	6	Flat Washer, 5/16" SAE
	G10232	6	Lock Washer, 5/16"
	G10106	6	Hex Nut, 5/16"-18
10	G2100-03	2	Bearing, 7/8" Hex Bore, Spherical
11	G3400-01	4	Flangette
12	G10004	2	Hex Head Cap Screw, 3/8"-16 x 1 1/4"
	G11387	4	Flat Washer, 3/8" SAE
	G10229	2	Lock Washer, 3/8"
	G10101	2	Hex Nut, 3/8"-16
13	GD11556	1	Scraper
14	G10053	2	Hex Head Cap Screw, 1/2"-13 x 2 1/2"
	G11389	2	Flat Washer, 1/2" SAE
	G10102	2	Hex Nut, 1/2"-13
15	GD10200	2	Sleeve, 3/4" Long
16	GA5090	-	Tire And Rim Assembly (Specify Brand*)
	GD5753	1	Tire, 4.10" x 6" (Specify Brand*)
	GD5752	1	Inner Tube
17	---	-	<a href="#">See "Liquid Fertilizer Piston Pump, NGP-6055" on page P132</a>
18	GA7246	1	Base Mount
19	GD2558	1	Lynch Pin, 1/4"
20	GA2068	2	Spring W/Plug
21	GA7245	1	Pump Mount W/Grease Fitting
	G10641	-	Grease Fitting, 1/8" NPT
22	GD11289	2	U-Bolt, 7" x 4" x 5/8"-11
	G10230	4	Lock Washer, 5/8"
	G10104	4	Hex Nut, 5/8"-11
23	GD10244-01	1	Sleeve, 7 1/16"
24	G10062	4	Hex Head Cap Screw, 3/8"-16 x 3"
	G10229	4	Lock Washer, 3/8"
	G10101	4	Hex Nut, 3/8"-16
25	G10003	4	Hex Head Cap Screw, 3/8"-16 x 1 1/2"
	G11387	4	Flat Washer, 3/8" SAE
	GR1122	4	Mounting Pad
	G10229	4	Lock Washer, 3/8"
	G10101	4	Hex Nut, 3/8"-16
26	GD11554	1	Pump Mount
27	G10478	2	Clevis Pin, 5/16" x 1"
	G10409	2	Retaining Ring, 5/16"
28	---	-	<a href="#">See "Liquid Fertilizer Piston Pump, NGP-6055" on page P132</a>
29	GA12616	1	Idler Mounting Bracket
30	G10041	2	Hex Head Cap Screw, 5/16"-18 x 2"
31	G10019	1	Hex Head Cap Screw, 5/16"-18 x 1"
32	GD18065	1	Guide
33	GD2971-17	2	Sleeve, 7/8" Long

\* Specific brand requests will be supplied only as available from current Kinze Repair Parts stock. If a specific brand requested is not in stock, the brand available will be supplied. Different brand tires may have different diameters. Change in tire brand may affect rates. Field checks are recommended after any change in contact tires



(TWL317a)



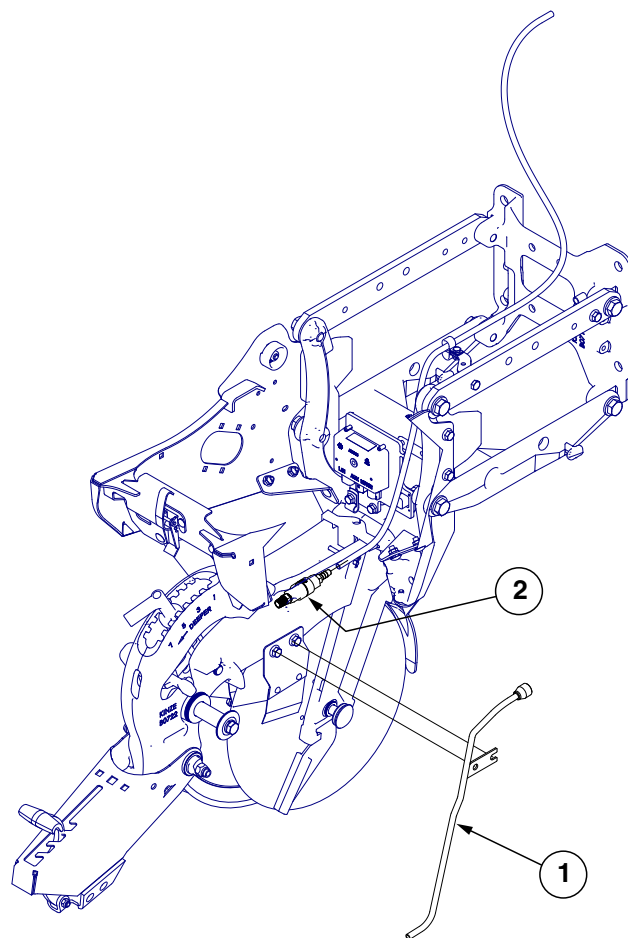
ITEM	PART NO.	QTY.	DESCRIPTION
1	G10152	6	Hex Head Cap Screw, 5/8"-11 x 9"
	G10230	6	Lock Washer, 5/8"
	G10104	6	Hex Nut, 5/8"-11
2	GA10355	1	Wheel Arm Mount
3	GB0218	2	Bushing, 2 1/2" I.D. x 7/8" O.D. x 1 9/32" Long
4	G10005	2	Hex Head Cap Screw, 5/8"-11 x 1 3/4"
	G11391	2	Flat Washer, 5/8" SAE
	G10107	2	Lock Nut, 5/8"-11
5	GA9712	1	Spring Mount
6	GD2681	1	Pin, 1 1/4" x 13 1/2"
	G10460	2	Cotter Pin, 1/4" x 2"
7	GA10621	1	Arm W/Grease Fittings
	G10641	2	Grease Fitting, 1/8" NPT
8	GA0241	1	Wheel, 5" x 15"
9	GD1166	1	Valve Stem
10	G10012	1	Hex Head Cap Screw, 5/8"-11 x 6 1/2"
	G11391	1	Flat Washer, 5/8" SAE
11	GA10908	1	Spring Mount
12	GB0196	1	Washer
13	GD7831	1	Compression Spring
14	GA10907	1	Spring Guide
15	G11122	1	Hex Head Cap Screw, 5/8"-11 x 12"
	G10107	1	Lock Nut, 5/8"-11
16	G10026	2	Hex Head Cap Screw, 3/4"-10 x 2"
	G10231	2	Lock Washer, 3/4"
17	G11042	2	Hex Head Cap Screw, 3/4"-10 x 1 3/4"
	G10231	2	Lock Washer, 3/4"
	G10105	2	Hex Nut, 3/4"-10
18	GD13744	1	Hose Holder
19	GR1146	1	Sprocket, 18 Tooth
20	---	-	<a href="#">See "Liquid Fertilizer Piston Pump, NGP-7055" on page P134</a>
21	GD2558	1	Lynch Pin, 1/4"
22	G10007	2	Hex Head Cap Screw, 5/8"-11 x 1 1/2"
	G11391	2	Flat Washer, 5/8" SAE
	G10230	2	Lock Washer, 5/8"
	G10104	2	Hex Nut, 5/8"-11
23	GA10894	1	Pump Mount
24	G10017	2	Hex Head Cap Screw, 1/2"-13 x 1 1/2"
	G11389	2	Flat Washer, 1/2" SAE
	G10228	2	Lock Washer, 1/2"
	G10102	2	Hex Nut, 1/2"-13
25	GD13328	1	Scraper
26	G10013	1	Hex Head Cap Screw, 5/8"-11 x 3 1/2"
	G11391	1	Flat Washer, 5/8" SAE
	G10230	1	Lock Washer, 5/8"
	G10104	1	Hex Nut, 5/8"-11
27	GA0262	1	Idler Sprocket W/Bearing, 15 Tooth
28	GD7817-05	1	Spacer, 1 1/16" I.D. x 1 1/4" Long
29	GD0844	1	Tire, 7.60" x 15", 8 Ply (Specify Brand*)
30	GA2559	1	Spindle
31	GA0252	2	Seal
32	GA0251	2	Bearing
33	GR0267	5	Lug Nut, 1/2"-20

Continued on the next page.

ITEM	PART NO.	QTY.	DESCRIPTION
34	G2500-84	1	Sprocket, 48 Tooth
35	G10019	4	Hex Head Cap Screw, 5/16"-18 x 1"
	G10232	4	Lock Washer, 5/16"
36	GD0831	2	Shoulder Nut, 1 1/4"-12 UNF-2A
37	GA0547	1	Hub W/Cups And Studs, 5 Bolt
	GR0190	2	Cup
	GR0204	5	Stud
38	G3200-63	1	Chain, No. 2050, 63 Pitch Including Connector Link
	GR0195	1	Connector Link, No. 2050
	GR0200	1	Offset Link, No. 2050
39	GA17684	1	R.H. Wheel Arm Mount
	GA17683	-	L.H. Wheel Arm Mount (Shown)

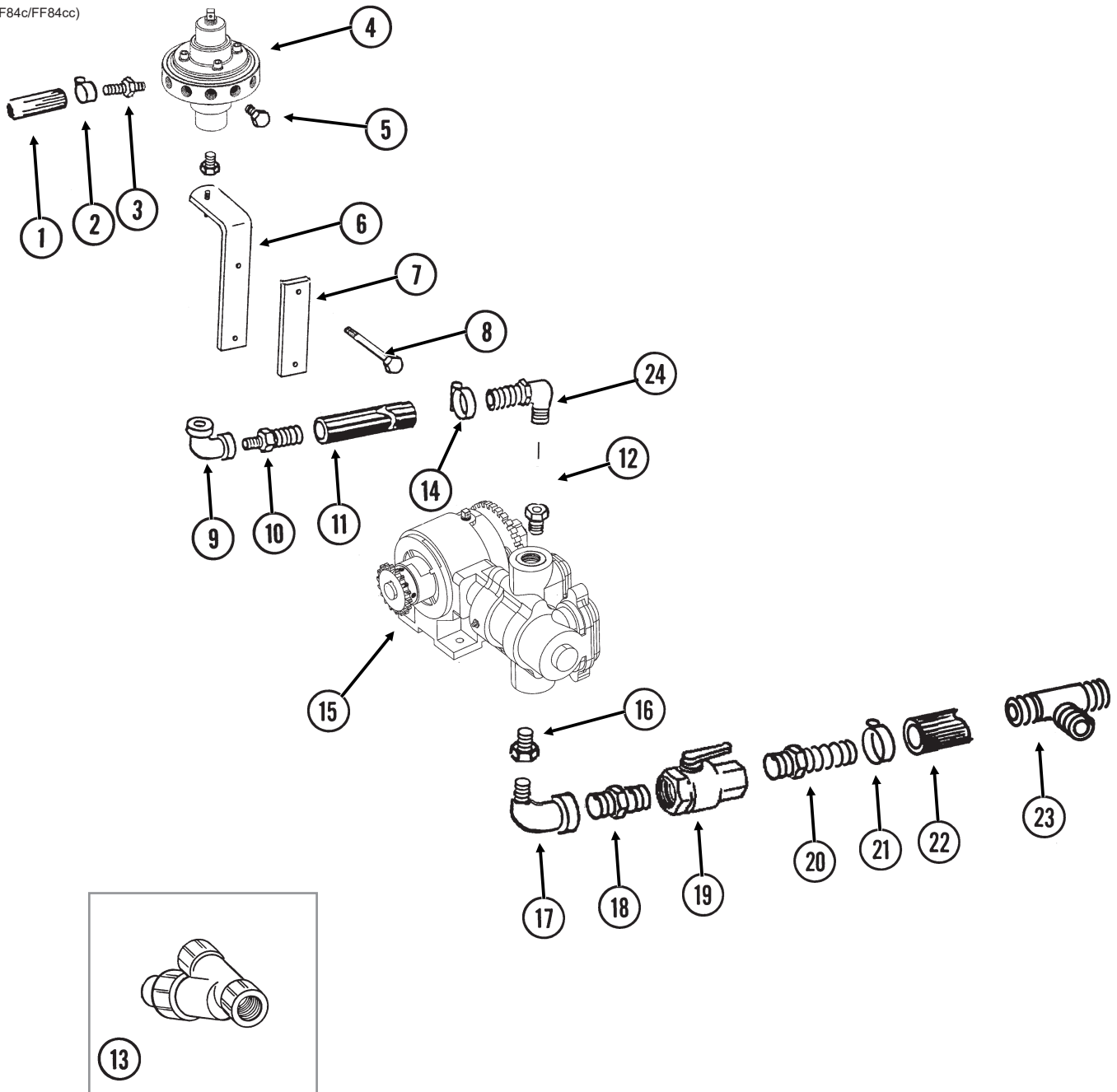
\*Specific brand requests will be supplied only as available from current Kinze Repair Parts stock. If a specific brand requested is not in stock, the brand available will be supplied. Different brand tires may have different diameters. Change in tire brand may affect rates. Field checks are recommended after any change in tires.

(A18821a)



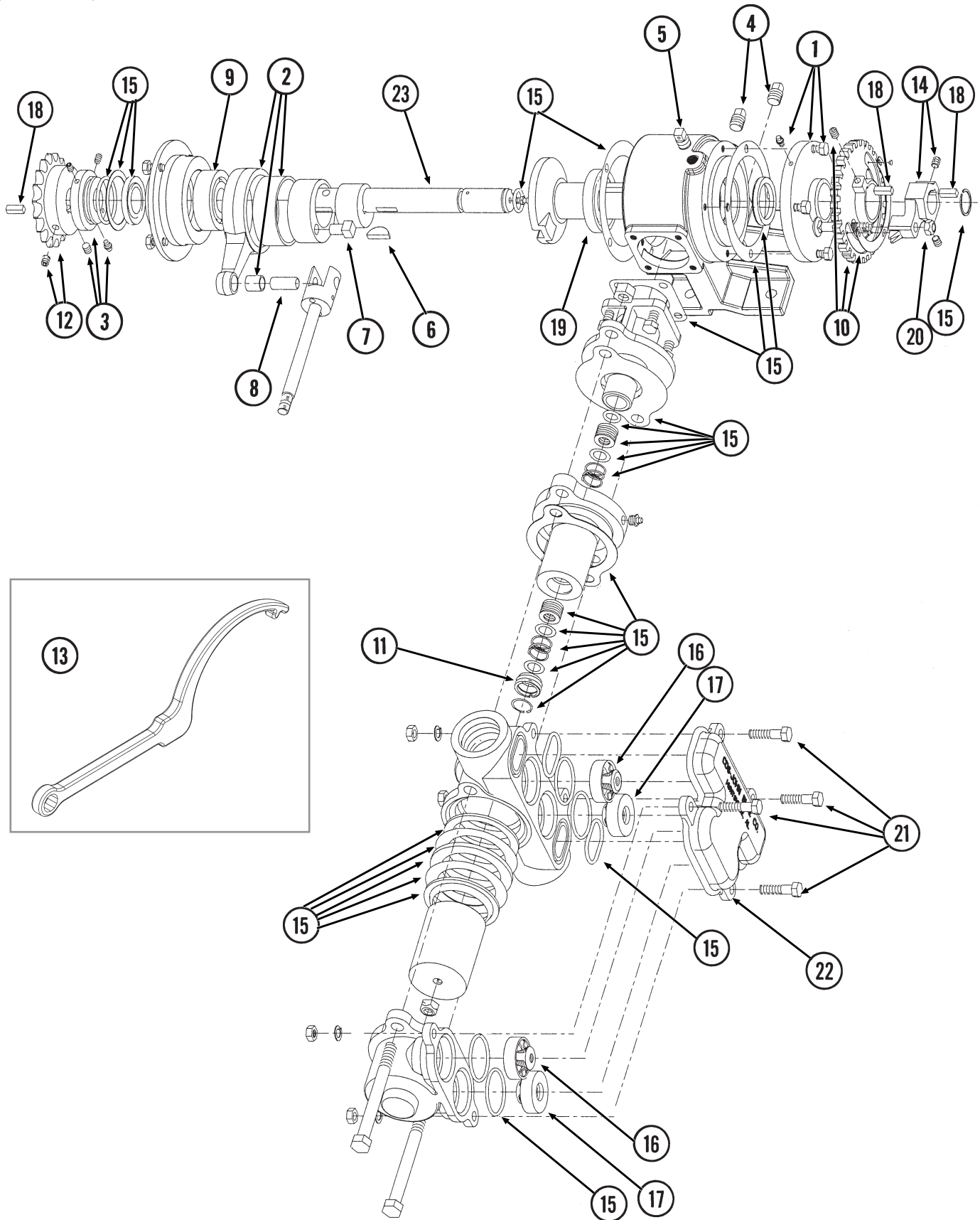
ITEM	PART NO.	QTY.	DESCRIPTION
1	GA18822	-	Liquid Fertilizer Tube
2	GA20583	-	Check Valve Assembly

(FF84c/FF84cc)



ITEM	PART NO.	QTY.	DESCRIPTION
1	G4301-08	-	Hose, 3/8" x 250', 24 And 36 Row
2	G10681	-	Hose Clamp, No. 6
3	GD11700	18-24	Adapter, 1/4" NPT To 3/8" Barb
4	---	-	<a href="#">See "Liquid Fertilizer Piston Pump Flow Divider" on page P136</a>
5	G10292	-	Pipe Plug, 1/4" NPT
6	GA6527	2	Mount, 3/4" NPT
7	GD10248	2	Bar
8	G10152	2	Hex Head Cap Screw, 5/8"-11 x 9"
	G10230	2	Lock Washer, 5/8"
	G10104	2	Hex Nut, 5/8"-11
9	G10733	2	Elbow, 90°, 3/4" Female NPT
10	G10734	2	Adapter, 3/4" NPT To Barb
11	G4205-10	2	Hose, 3/4" x 200"
12	G11237	2	Reducing Bushing, 1 1/2" Male NPT To 3/4" Female
13	GA3893	1	Strainer Complete
	GR0880	-	Screen, No. 40 Mesh
	GR0881	-	Gasket
	GR0882	-	Y-Body
	GR0883	-	End Cap
14	G10278	-	Hose Clamp, No. 16
15	---	-	<a href="#">See "Liquid Fertilizer Piston Pump, NGP-6055" on page P132</a> <a href="#">See "Liquid Fertilizer Piston Pump, NGP-7055" on page P134</a>
16	G10615	2	Reducing Bushing, 1 1/2" Male NPT To 1 1/4" Female
17	G10887	2	Elbow, 90°, 1 1/4" Male NPT To Female
18	G10619	2	Close Nipple, 1 1/4" NPT
19	GA4976	2	Shutoff Valve, 1 1/4" NPT
	GR1015	-	Body O-Ring
	GR1016	-	Stem O-Ring
	GR1017	-	Teflon Seat
	GR1018	-	Ball
	GR1019	-	Handle
20	G10626	4	Adapter, 1 1/4" NPT To Barb
21	G10674	2	Hose Clamp, No. 24
22	G4200-01	1	Hose, 1 1/4" x 22'
23	G10633	1	Tee, 1 1/4" Barb
24	G10917	2	Elbow, 90°, 3/4" NPT To Barb

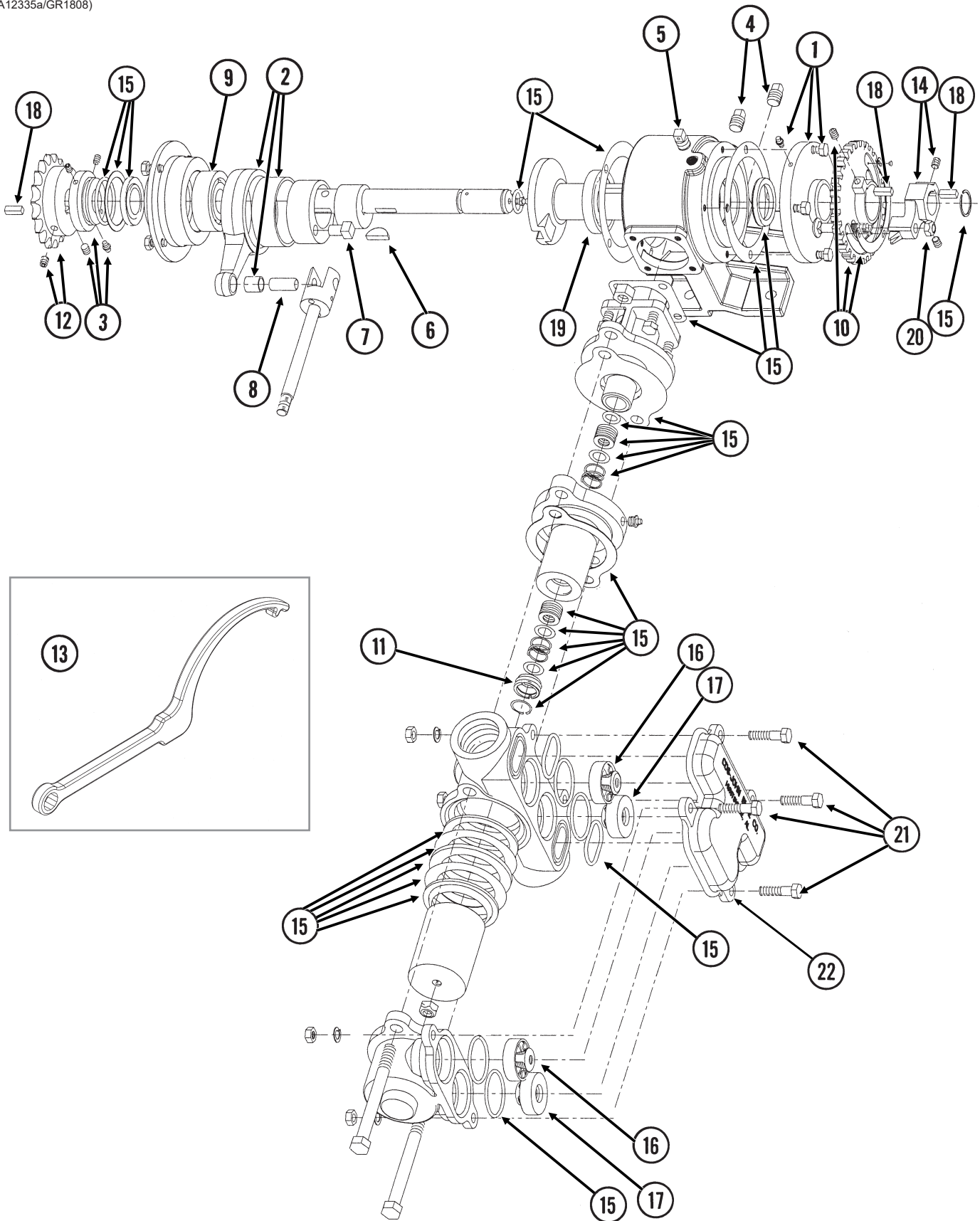
(A12335a/GR1808)



ITEM	PART NO.	QTY.	DESCRIPTION
1	GR1804	1	Flange Cover Assembly
	G10991	4	Hex Head Cap Screw, 5/16"-18 x 7/8"
2	GR1802	1	Connecting Rod Assembly
3	GR1801	1	Spacer Assembly
	G10693	3	Hex Socket Head Set Screw, 5/16"-18 x 3/8"
4	GR1123	2	Plug
5	GR1543	1	Vent Plug
6	GR1112	1	Woodruff Key
7	GR1120	1	Eccentric Pin
8	GR1124	1	Pin
9	GR1104	1	Bearing
10.	GR1805	1	Setting Hub Assembly
11	GR1134	1	Stuffing Box Insert
12	GR1389	1	Sprocket, 18 Tooth
13	GR1808	1	Adjustment Wrench
14	GR1806	1	Setting Pointer Assembly
15	GR1795	1	Repair Kit, Includes: (6) Gaskets, (9) O-Rings, (4) Washers, (1) Retaining Ring, (2) Oil Seals, (1) Snap Ring, (1) Thrust Washer, (1) Rod Bushing, (2) Flange Plunger Packings, (2) Packing Springs, (2) Rod Vee Packing Sets
16	GR1799	2	Discharge Valve Assembly
17	GR1797	2	Suction Valve Assembly
18	GR1118	3	Setting Arm Key
19	GR1116	1	Bearing
20	G10306	1	Carriage Bolt, 3/8"-16 x 2"
	G10108	1	Lock Nut, 3/8"-16
21	G10003	4	Hex Head Cap Screw, 3/8"-16 x 1 1/2"
	G11387	4	Flat Washer, 3/8" SAE
	G10229	4	Lock Washer, 3/8"
	G10101	4	Hex Nut, 3/8"-16
22	GR2003	1	Valve Cover
23	GR2185	1	Crankshaft
A	GA12330	-	Piston Pump Complete W/18 Tooth Sprocket (Model NGP-6055)

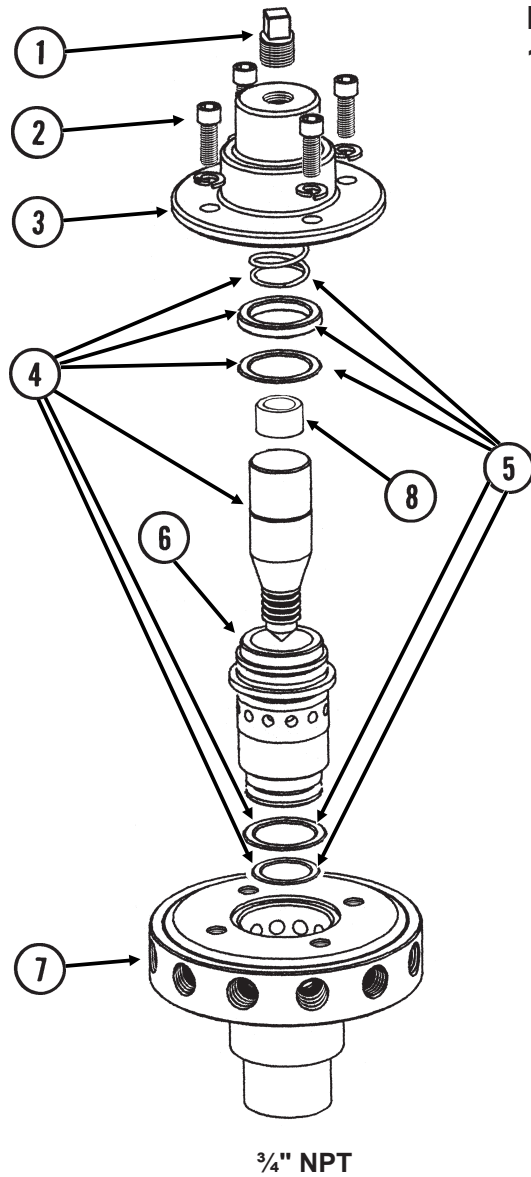


(A12335a/GR1808)



ITEM	PART NO.	QTY.	DESCRIPTION
1	GR1804	1	Flange Cover Assembly
	G10991	4	Hex Head Cap Screw, 5/16"-18 x 7/8"
2	GR1803	1	Connecting Rod Assembly
3	GR1801	1	Spacer Assembly
	G10693	3	Hex Socket Head Set Screw, 5/16"-18 x 3/8"
4	GR1123	2	Plug
5	GR1543	1	Vent Plug
6	GR1112	1	Woodruff Key
7	GR1120	1	Eccentric Pin
8	GR1124	1	Pin
9	GR1104	1	Bearing
10	GR1805	1	Setting Hub Assembly
11	GR1134	1	Stuffing Box Insert
12	GR1146	1	Sprocket, 18 Tooth
13	GR1808	1	Adjustment Wrench
14	GR1806	1	Setting Pointer Assembly
15	GR1796	1	Repair Kit, Includes: (6) Gaskets, (9) O-Rings, (4) Washers, (1) Retaining Ring, (2) Oil Seals, (1) Snap Ring, (1) Thrust Washer, (1) Rod Bushing, (2) Flange Plunger Packings, (2) Packing Springs, (2) Rod Vee Packing Sets
16	GR1800	2	Discharge Valve Assembly
17	GR1798	2	Suction Valve Assembly
18	GR1118	3	Setting Arm Key
19	GR1116	1	Bearing
20	G10306	1	Carriage Bolt, 3/8"-16 x 2"
	G10108	1	Lock Nut, 3/8"-16
21	G10003	4	Hex Head Cap Screw, 3/8"-16 x 1 1/2"
	G11387	4	Flat Washer, 3/8" SAE
	G10229	4	Lock Washer, 3/8"
	G10101	4	Hex Nut, 3/8"-16
22	GR2011	1	Valve Cover, NPG-7055
A	GA12335	-	Piston Pump Complete W/18 Tooth Sprocket (Model NGP-7055)

(FRTZ202c)

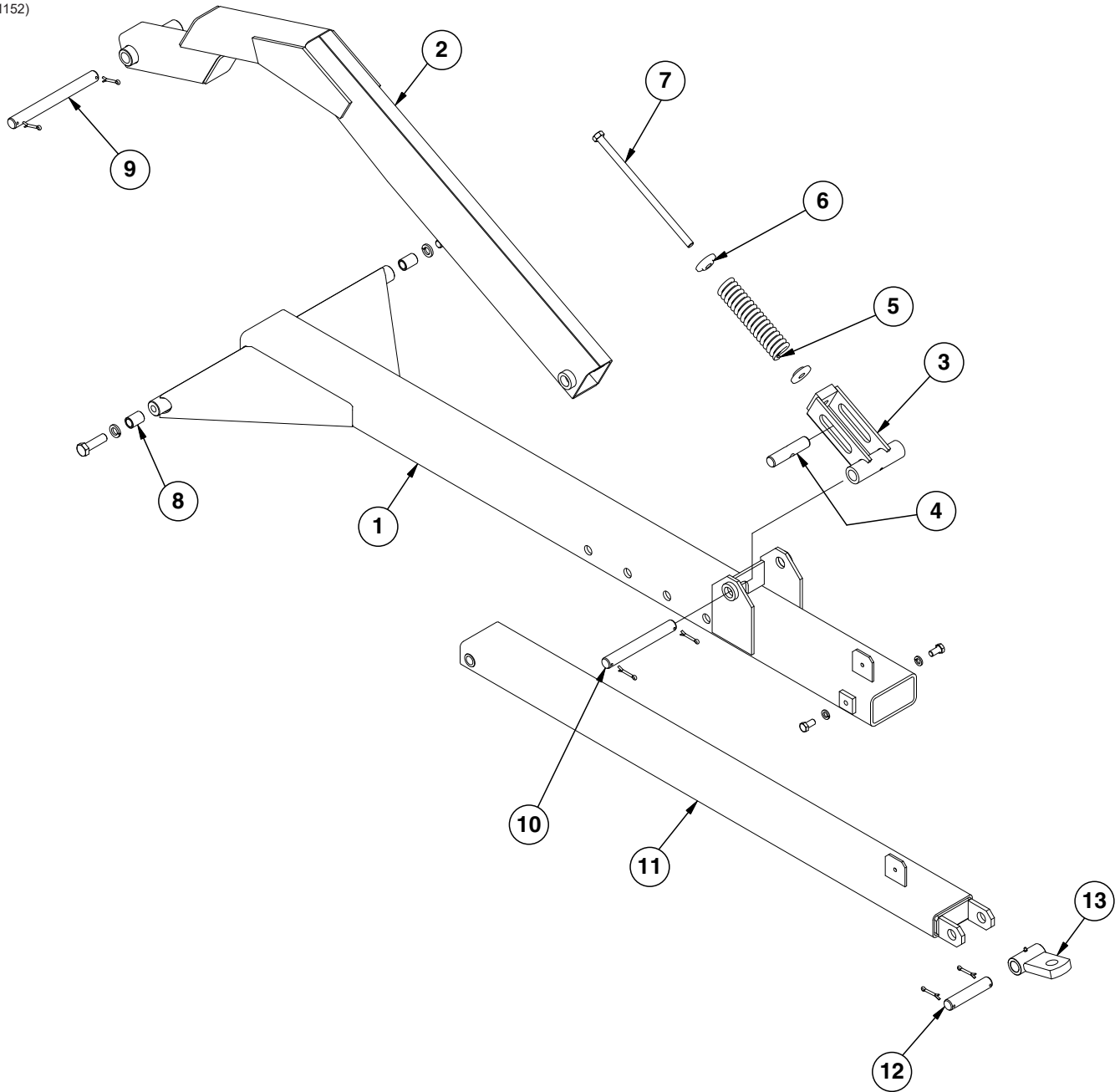


**Model FD-1200 Flow Divider,  
12 Outlet**

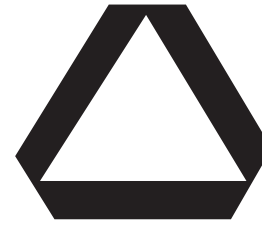
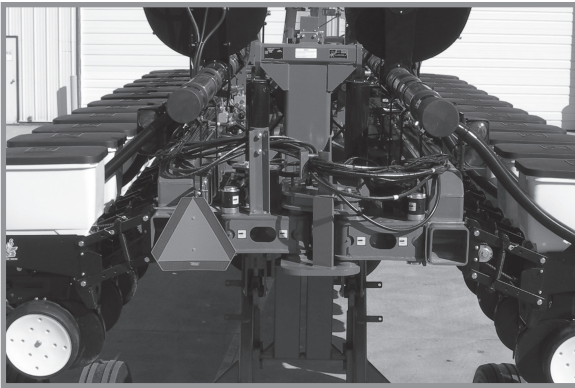
ITEM	PART NO.	QTY.	DESCRIPTION
1	GR1543	1	Vent Plug
2	GR1542	4	Hex Socket Head Screw, 1/4"-20 x 3/4", Stainless Steel
	GR1541	4	Lock Washer, 1/4", Stainless Steel
3	GR1540	1	Cap
4	GR1544	1	Needle Assembly W/Seal Kit (Item 5)
5	GR1545	1	Seal Kit, Includes: (3) O-Rings, (1) Seal, (1) Spring
6	GR1535	1	Sleeve
7	GR1533	1	Body (12 Outlets)
8	GR1574	1	Sleeve, 1" O.D. x 1/2" Long, Stainless Steel
A	GA8931	1	Liquid Fertilizer Piston Pump Flow Divider Complete, 12 Outlet (Model FD-1200)

**This page left blank intentionally.**

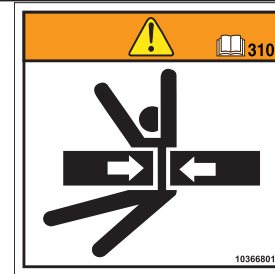
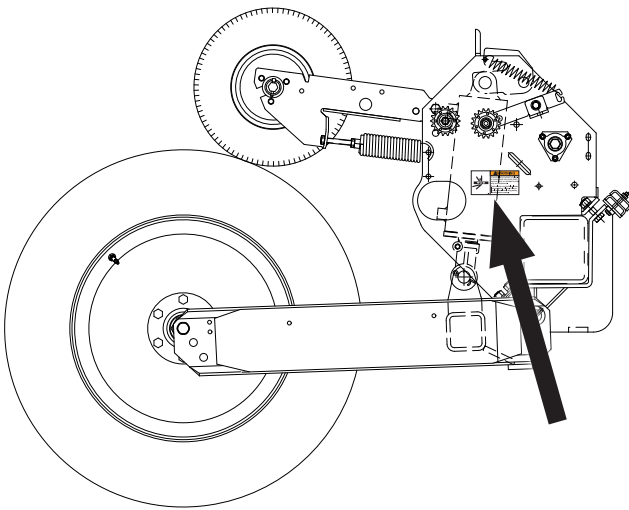
(IP1152)



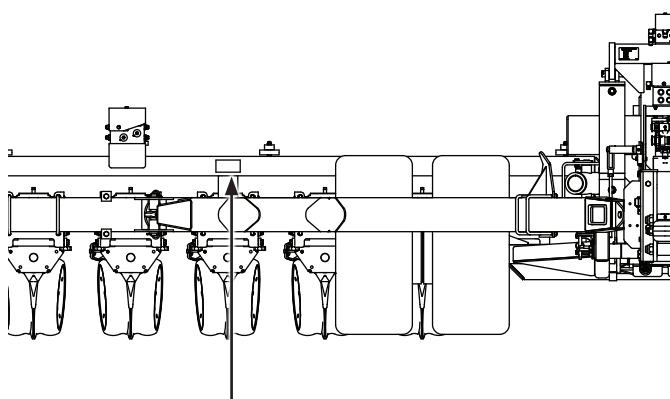
ITEM	PART NO.	QTY.	DESCRIPTION
1	GA7254	1	Front Hitch
	G10055	2	Hex Head Cap Screw, 5/8"-11 x 1 1/4" (Stop Bolt)
	G10230	2	Lock Washer, 5/8"
2	GA9408	1	Top Link W/Grease Fitting
3	GA7258	1	Side Link W/Grease Fitting
4	GD10296	1	Pin, 1 1/4" x 5 1/2"
5	GD10273	1	Compression Spring
6	GD34923	2	Spring Seat
7	GD7907	1	Special Bolt
8	GD10297	2	Bushing, 1 3/4"
	G10441	2	Hex Head Cap Screw, 7/8"-9 x 3", Grade 8
	G10330	2	Lock Washer, 7/8"
9	GD3547	1	Pin, 1 1/4" x 12 3/4"
	G10460	2	Cotter Pin, 1/4" x 2"
10	GD1702	1	Pin, 1 1/4" x 10 1/4"
	G10460	2	Cotter Pin, 1/4" x 2"
11	GA7256	1	Rear Hitch
12	GD8839	1	Pin, 1 1/4" x 6 1/4"
	G10460	2	Cotter Pin, 1/4" x 2"
13	GA6177	1	Clevis W/Grease Fitting



Part No.: GD2199  
Description: SMV Sign  
Quantity: 1



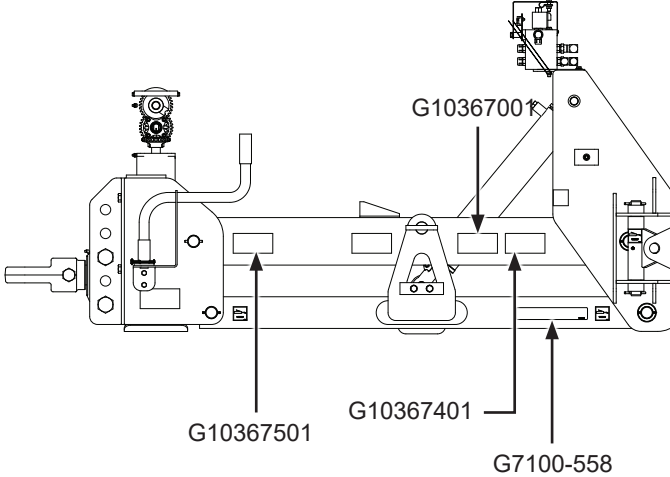


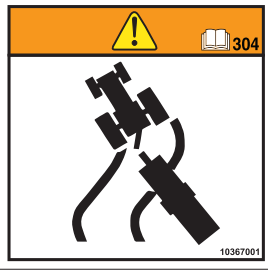
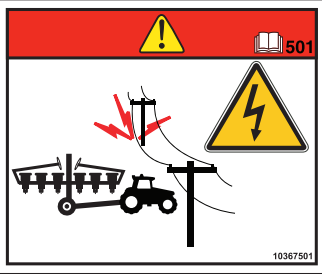
Part No.: G10366801  
Description: Decal, Warning (2021 Production and on)  
Quantity: 1 (Per Contact Wheel Assembly)



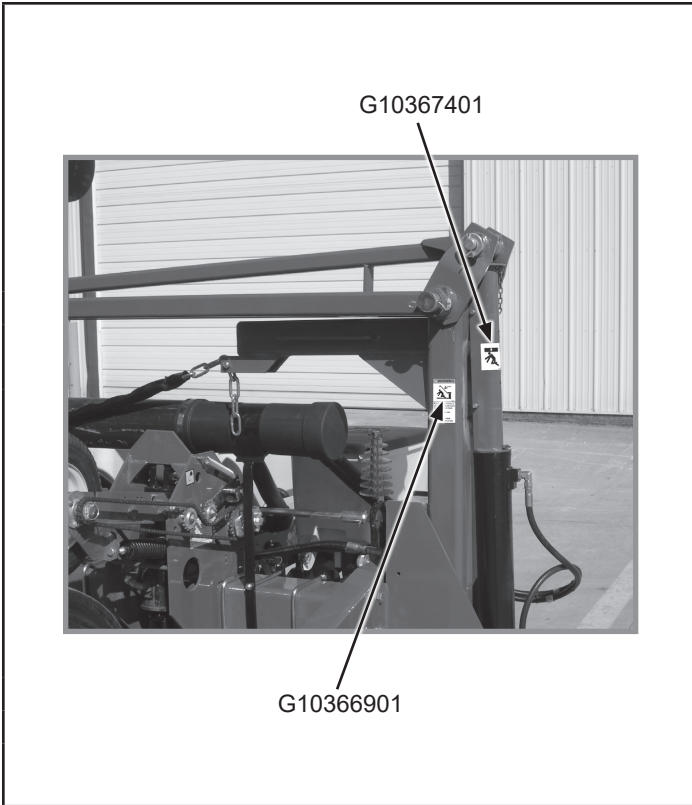
G10367401



Part No.: G10367401  
Description: Decal, Crush Warning (2021 Production and on)  
Quantity: 1

	
	<p>Part No.: G10367401                  Description: Decal, Crush Warning (2021 Production and on)                  Quantity: 1</p>
	
	<p>Part No.: G7100-558                  Description: Reflective Decal, Amber, 2" x 9", Rectangular                  Quantity: 2 (one located on each side of hitch)</p>
	
	<p>Part No.: G10367001                  Description: Decal, Warning (2021 Production and on)                  Quantity: 1</p>
	
	<p>Part No.: G10367501                  Description: Decal, Danger                  Quantity: 1</p>

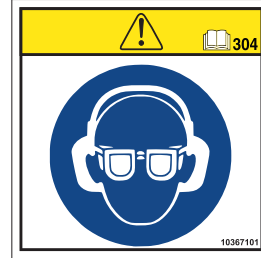
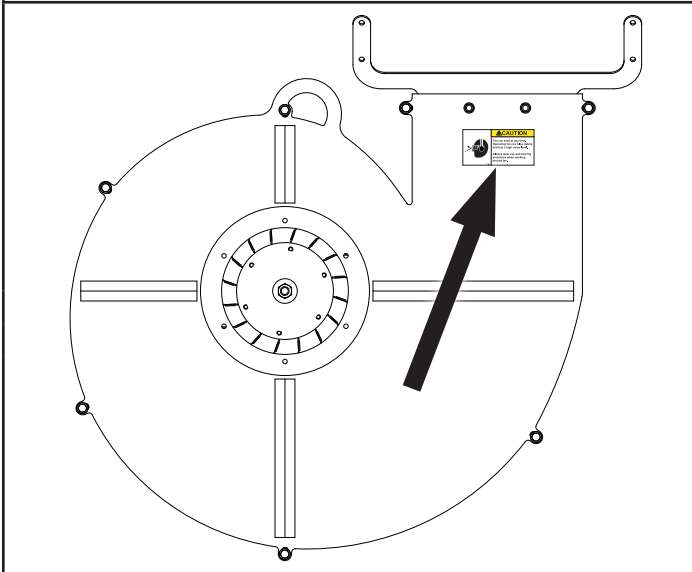




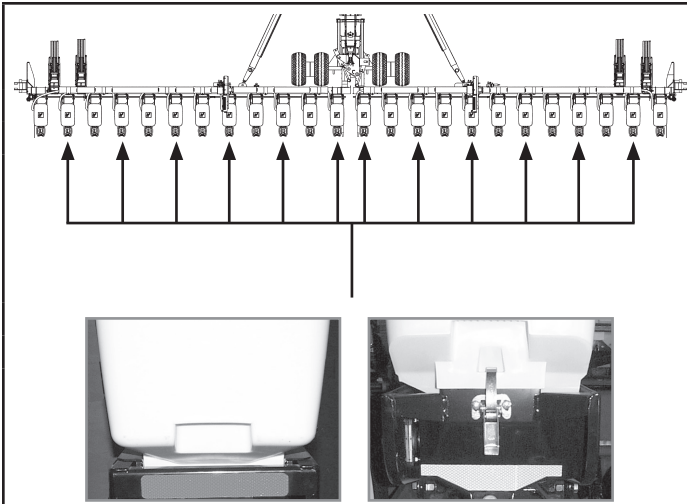
Part No.: G10367401  
 Description: Decal, Crush Warning (2021 Production and on)  
 Quantity: 1



Part No.: G10366901  
 Description: Decal, Warning (2021 Production and on)  
 Quantity: 1 (Per Row Marker Cylinder - Conventional)  
 4 (2 Per Row Marker)



Part No.: G10367101  
 Description: Decal, Caution  
 Quantity: 4 (One On Each Side Of Fan)



Note: 12 decals are used on 24 Row 70 cm

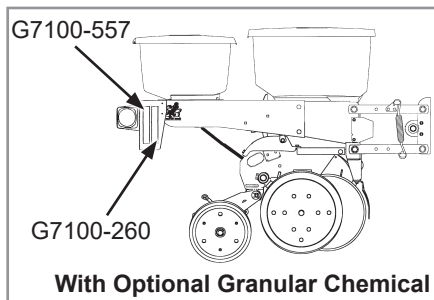
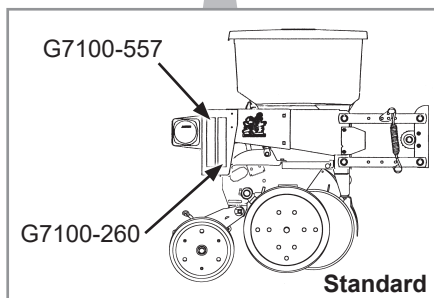
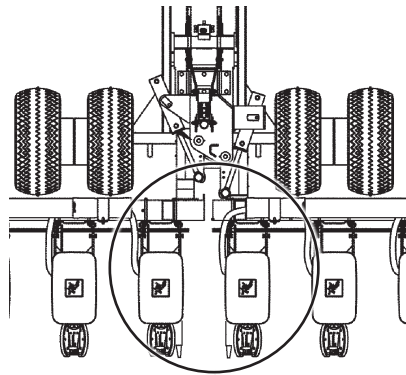


Part No.: G7100-558

Description: Reflective Decal, Amber, 2" x 9", Rectangular  
 Quantity: 1 (Per Row Unit - Located On The Granular Chemical Hopper Panel Extension on Every Other Row Unit Beginning On The 2nd row unit in on the L.H. end of the Planter) (With Optional Granular Chemical)

Part No.: G7100-262

Description: Reflective Decal, Amber, 1¾" x 9", Die-Cut  
 Quantity: 1 (Per Row Unit - Located On The Hopper Support on Every Other Row Unit Beginning on the 2nd row unit in on the L.H. end of the Planter) (Standard)

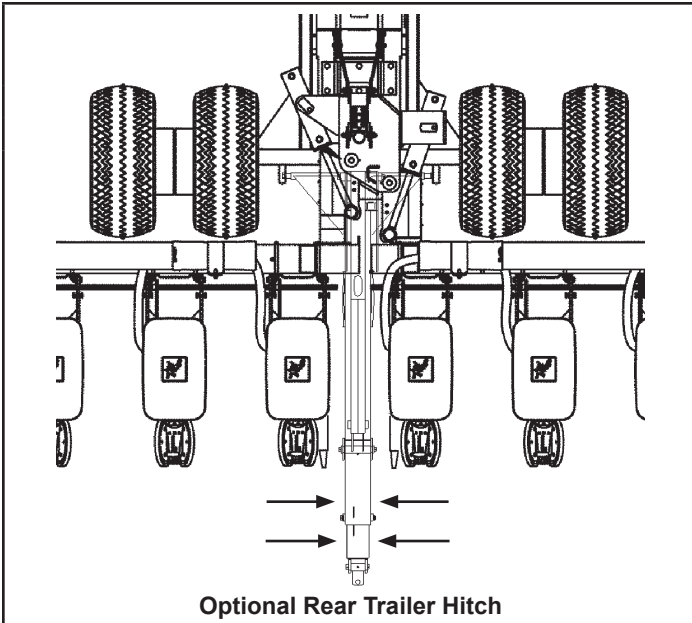


Part No.: G7100-557

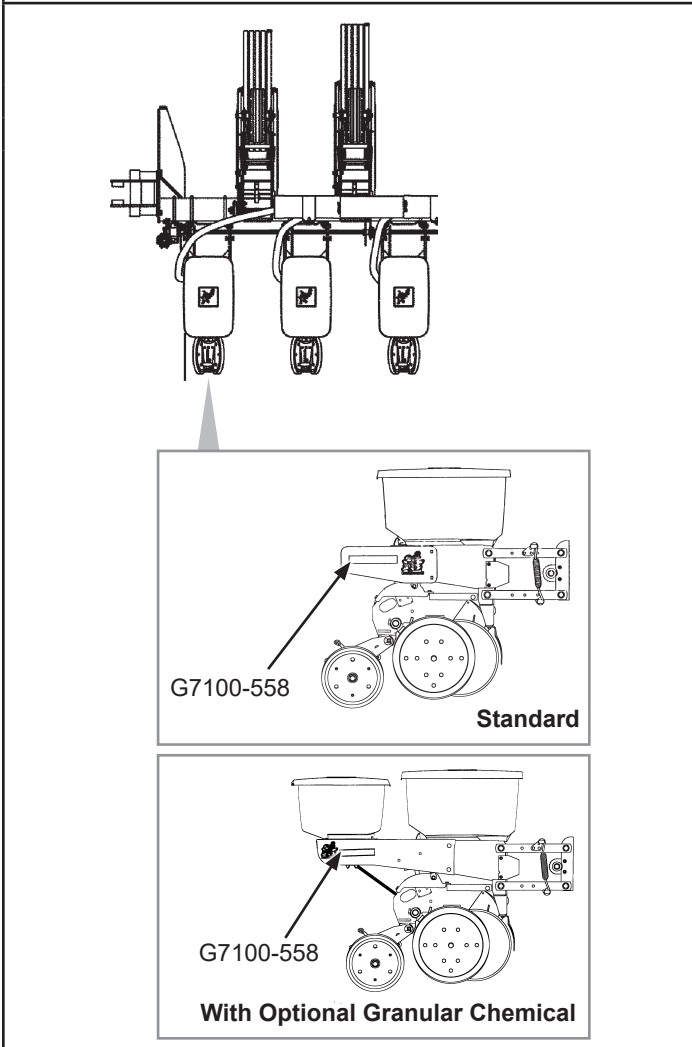
Description: Reflective Decal, Red, 2" x 9" Rectangular  
 Quantity: 2 (Located On The Two Center Row Units - Rear-Facing In Transport Position)

Part No.: G7100-260

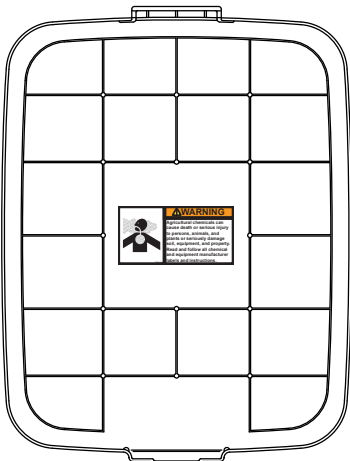

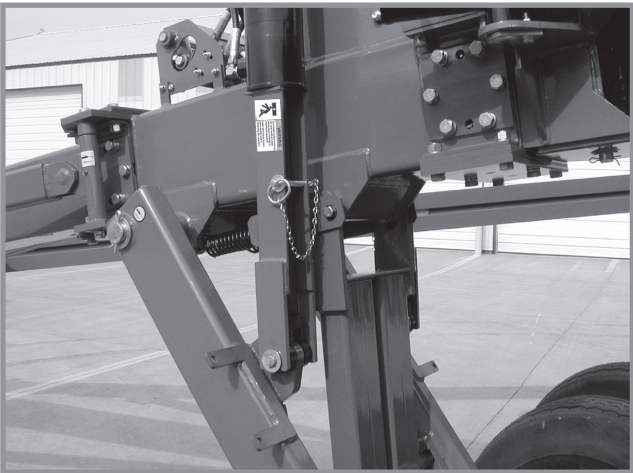

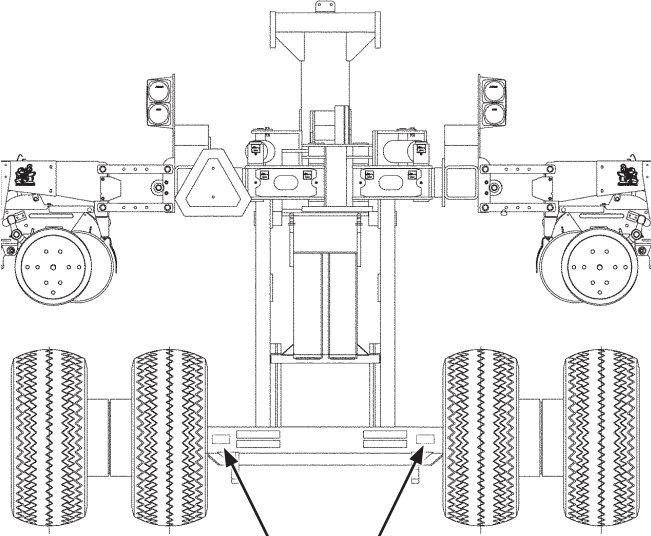

Description: Reflective Decal, Orange, 1½" x 9" Rectangular  
 Quantity: 2 (Located On The Two Center Row Units - Rear-Facing In Transport Position)

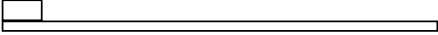
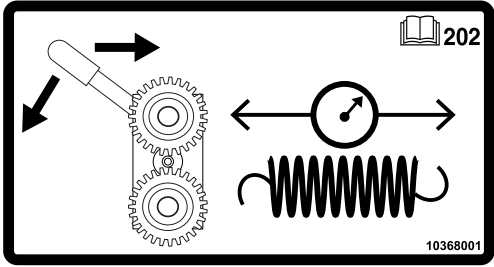

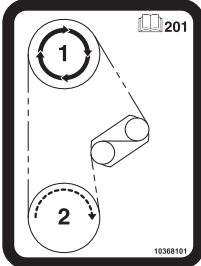
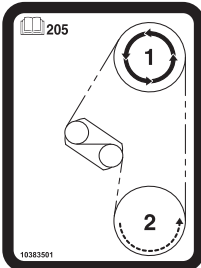


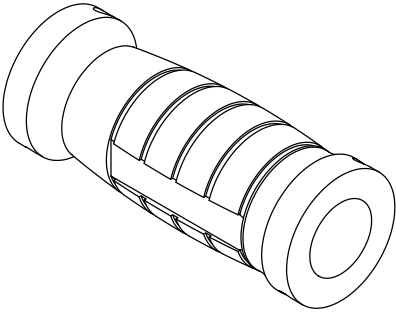
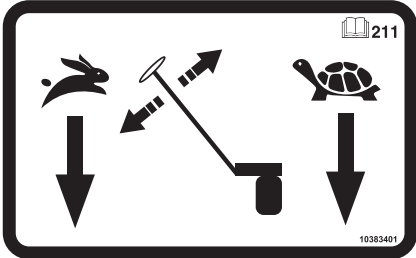
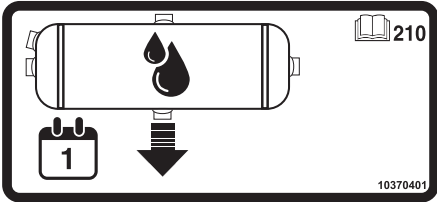
Part No.: G7100-558  
Description: Reflective Decal, Amber, 2" x 9", Rectangular  
Quantity: 4






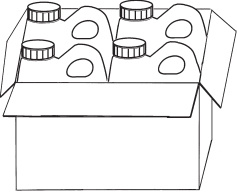




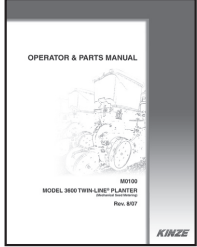
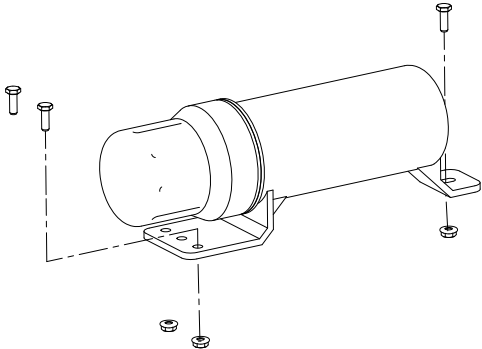

Part No.: G7100-558  
Description: Reflective Decal, Amber, 2" x 9", Rectangular  
Quantity: 2 (Located On The Outside Row Unit On Each End Of The Planter - Forward-Facing In Transport Position)

	 <p>Part No.: G10367601                  Description: Decal, Chemical Warning (2021 Production and on)                  Quantity: 1 (1 Per Row Unit - Located On Underside Of Granular Chemical Hopper Lid)</p>
	 <p>Part No.: G10367401                  Description: Decal, Crush Warning (2021 Production and on)                  Quantity: 1</p>
 <p>G10367801</p>	 <p>Part No.: G10367801                  Description: Decal, Warning                  Quantity: 2 (Per Tire - Ground Drive Tires)</p>

	<p>Part No.: GD1162 Description: Tie Strap, 28"</p> <p>Part No.: GD1512 Description: Tie Strap, 7½"</p> <p>Part No.: GD2117 Description: Tie Strap, 14½"</p> <p>Part No.: GD2984 Description: Tie Strap, 34"</p>
	<p>Part No.: G10368001 Description: Decal, Spring Tension Release Quantity: -</p>
	<p>Part No.: G10367201 Description: Decal, Warning Quantity: 1</p>
	<p>Part No.: G10368101 Description: Decal, Transmission (2021 Production and on) Quantity: 1</p>
	<p>Part No.: G10383501 Description: Decal, Transmission (2021 Production and on) Quantity: 1</p>

	<p>Part No.: GA26924-01 Description: Hose Label Cover, Red, Extend</p> <p>Part No.: GA26924-02 Description: Hose Label Cover, Red, Retract</p> <p>Part No.: GA26924-03 Description: Hose Label Cover, Blue, Extend</p> <p>Part No.: GA26924-04 Description: Hose Label Cover, Blue, Retract</p> <p>Part No.: GA26924-05 Description: Hose Label Cover, Green, Extend</p> <p>Part No.: GA26924-06 Description: Hose Label Cover, Green, Retract</p> <p>Part No.: GA26924-07 Description: Hose Label Cover, Yellow, Extend</p> <p>Part No.: GA26924-08 Description: Hose Label Cover, Yellow, Retract</p> <p>Part No.: GA26924-09 Description: Hose Label Cover, White, Extend</p> <p>Part No.: GA26924-10 Description: Hose Label Cover, White, Retract</p> <p>Part No.: GA26924-11 Description: Hose Label Cover, Orange, Retract</p>
	<p>Part No.: G10383401 Description: Decal, Flow Control</p>
	<p>Part No.: G10371801 Description: Decal, Tank Drain</p>

	<p>Part No.: G10368201 Description: Decal, Oil/Grease Daily (2021 Production and on)</p>
	<p>Part No.: G10371501 Description: Decal, Oil/Grease Weekly (2021 Production and on)</p>
	<p>Part No.: GR2127MPP Description: Blue Paint, Twelve Aerosol Cans</p>
	<p>Part No.: GR0146 Description: Powdered Graphite, 1 Pound Container</p> <p>Part No.: GR0146MPP Description: Powdered Graphite, Twenty-Four 1 Pound Containers</p>
	<p>Part No.: GR1570MPP Description: Talc Lubricant, Four 8 Pound Containers</p> <p>Part No.: GR2334 Description: Talc Lubricant, 40 Pound Container</p>
	<p>Part No.: GR1842MPP Description: Graphite Lubricant, Four 5 Pound Containers</p>

	<p>Part No.: GR2240MPP                  Description: Talc/Graphite Blend (80 Talc/20 Graphite),                  Four 8 Pound Containers</p>
	<p>Part No.: G10073901                  Description: Decal, Kinze 3705                  Quantity: 2 (1 on each side of hitch)</p>
	<p>Part No.: GM0313-01                  Description: Operator Manual, Model 3705</p> <p>Part No.: GM0313-02                  Description: Parts Manual, Model 3705</p> <p>Part No.: GPR1094                  Description: Binder (Contact Kinze Parts to Order)</p>
	<p>Part No.: GA15422                  Description: Operator's Manual Canister                  Quantity: 1</p>
	<p>Part No.: G11166                  Description: Hex Socket Flange Cap Screw, 1/4"-20 x 3/4"                  Quantity: 3</p>
	<p>Part No.: G11320                  Description: Lock Nut, 1/4"-20                  Quantity: 3</p>
	<p>Part No.: G7100-484                  Description: Decal, American Flag</p>



Part No.	Page	Part No.	Page	Part No.	Page	Part No.	Page
*A1026.....	P110	*D12231.....	P88	G304-C-8.....	P38	G6400-10.....	P42
*A1031.....	P110	*D12232.....	P88	G304-C-8.....	P80	G6400-10.....	P102
*A1038.....	P110	*D12232.....	P89	G304-C-8.....	P92	G6400-10-08.....	P54
*A1044.....	P110	*D12245.....	P89	G306-08.....	P92	G6400-10-08.....	P94
*A1072.....	P110	*D12252.....	P89	G306-10.....	P38	G6400-10-08.....	P100
*A1146.....	P110	*D12263.....	P88	G2100-03.....	P64	G6400-10-08.....	P101
*A1189.....	P110	*D12263.....	P92	G2100-03.....	P128	G6400-12.....	P107
*A1412.....	P110	*D12264.....	P88	G2403-10.....	P36	G6402-08-10.....	P100
*A1421.....	P110	*D12264.....	P92	G2403-12.....	P36	G6408-06.....	P99
*A1424.....	P110	*D12265.....	P92	G2403-12.....	P38	G6408-08.....	P54
*A1465.....	P110	*D12280.....	P88	G2406-08-06.....	P110	G6408-08.....	P88
*A1475.....	P110	*D12280.....	P89	G2500-84.....	P131	G6408-08.....	P89
*A1485.....	P110	*D20990.....	P88	G2503-20.....	P38	G6408-08.....	P92
*A1487.....	P110	G1K248.....	P72	G2603-06.....	P36	G6408-08.....	P98
*A3119.....	P110	G1K248.....	P112	G2603-08.....	P110	G6408-10.....	P98
*A3140.....	P110	G1K248.....	P117	G2650-06.....	P110	G6408-H06-O.....	P95
*A3161.....	P110	G1K248.....	P122	G2700-08.....	P92	G6408-H06-O.....	P98
*A3299.....	P110	G1K252.....	P72	G2701-10.....	P38	G6408-H06-O.....	P101
*A6852.....	P90	G1K252.....	P112	G3200-63.....	P131	G6408-H08-0.....	P95
*A8208.....	P110	G1K252.....	P117	G3302-05.....	P81	G6408-HHP-16.....	P107
*A8300.....	P90	G1K252.....	P122	G3303-16.....	P4	G6410-16-08.....	P38
*A8502.....	P110	G1K255.....	P103	G3303-44.....	P20	G6500-06.....	P95
*A8503.....	P110	G1K267.....	P72	G3303-88.....	P20	G6500-06.....	P106
*A8927.....	P87	G1K267.....	P113	G3303-108.....	P4	G6500-06.....	P110
*A8950.....	P89	G1K267.....	P116	G3303-108.....	P24	G6500-08.....	P95
*A8960.....	P87	G1K268.....	P72	G3303-114.....	P25	G6500-08.....	P103
*A8969.....	P88	G1K268.....	P113	G3310-80.....	P78	G6500-08.....	P110
*A9582.....	P92	G1K268.....	P116	G3310-82.....	P64	G6500-10.....	P54
*A11810-120.....	P36	G1K269.....	P65	G3310-91.....	P127	G6500-10.....	P94
*A11810-124.....	P36	G1K269.....	P78	G3310-144.....	P68	G6502-06.....	P110
*A12000.....	P110	G1K274.....	P104	G3310-148.....	P68	G6502-08.....	P64
*A12531.....	P52	G1K274.....	P104	G3310-150.....	P68	G6502-08.....	P103
*A12535.....	P48	G1K275.....	P104	G3310-158.....	P68	G6502-08.....	P110
*A12937-24.....	P38	G1K276.....	P104	G3400-01.....	P64	G6502-10.....	P54
*A14700.....	P49	G1K296.....	P12	G3400-01.....	P128	G6600-08.....	P99
*A15092-32.....	P36	G1K320.....	P33	G4200-01.....	P134	G6600-10.....	P99
*A15094-34.....	P110	G1K320.....	P72	G4205-10.....	P134	G6801-06.....	P106
*A18666-40.....	P36	G1K320.....	P116	G4301-08.....	P134	G6801-06-04.....	P34
*A20273.....	P64	G1K321.....	P33	G6325X.....	P8	G6801-06-08.....	P56
*A25487-40.....	P36	G1K321.....	P72	G6400-04.....	P102	G6801-06-08.....	P110
*A25707-120.....	P36	G1K321.....	P116	G6400-04.....	P103	G6801-06-10.....	P34
*A25707-124.....	P36	G1K322.....	P116	G6400-06-08.....	P95	G6801-08.....	P44
A26287.....	P24	G1K345.....	P14	G6400-06-08.....	P110	G6801-08.....	P64
*D12088.....	P89	G1K362.....	P117	G6400-08.....	P42	G6801-08.....	P80
*D12119.....	P92	G1K362.....	P122	G6400-08.....	P80	G6801-08.....	P94
*D12120.....	P92	G1K363.....	P117	G6400-08.....	P98	G6801-08.....	P96
*D12121.....	P88	G1K363.....	P122	G6400-08.....	P101	G6801-08.....	P99
*D12137.....	P88	G1K378.....	P78	G6400-08.....	P103	G6801-08.....	P110
*D12204.....	P92	G1K379.....	P78	G6400-08.....	P110	G6801-10.....	P98
*D12206.....	P89	G1K395.....	P72	G6400-08-04.....	P80	G6801-10.....	P106
*D12221.....	P92	G1K396.....	P72	G6400-08-04.....	P92	G6801-10.....	P107
*D12222.....	P92	G1K758.....	P8	G6400-08-10.....	P95	G6801-10-08.....	P54

Part No.	Page	Part No.	Page	Part No.	Page	Part No.	Page
G6801-10-08	P94	G10006	P30	G10033	P80	G10101	P103
G6801-10-08	P96	G10006	P44	G10035	P65	G10101	P116
G6801-10-08	P99	G10006	P44	G10036	P31	G10101	P122
G6801-12	P36	G10006	P65	G10036	P56	G10101	P122
G6801-12	P38	G10007	P50	G10036	P64	G10101	P128
G6801-12-10	P106	G10007	P130	G10037	P6	G10101	P128
G6801-12-16	P38	G10008	P68	G10038	P58	G10101	P128
G6801-20	P36	G10009	P54	G10038	P58	G10101	P136
G6801-LL-10	P107	G10010	P12	G10038	P80	G10101	P138
G6801-LL-12	P38	G10010	P28	G10040	P74	G10102	P30
G6804-08	P38	G10011	P56	G10041	P128	G10102	P30
G6835-16-16-16	P38	G10011	P127	G10042	P44	G10102	P42
G7100-260	P146	G10012	P130	G10043	P75	G10102	P56
G7100-262	P146	G10013	P14	G10043	P98	G10102	P60
G7100-557	P146	G10013	P56	G10045	P30	G10102	P64
G7100-558	P144	G10013	P130	G10045	P84	G10102	P78
G7100-558	P146	G10014	P4	G10047	P20	G10102	P80
G7100-558	P147	G10014	P12	G10047	P36	G10102	P84
G7100-558	P147	G10017	P36	G10047	P78	G10102	P84
G7633X	P112	G10017	P45	G10047	P80	G10102	P127
G7639X	P112	G10017	P56	G10048	P54	G10102	P128
G7786x	P45	G10017	P64	G10048	P54	G10102	P130
G8081X	P33	G10017	P65	G10049	P70	G10103	P56
G8647x	P116	G10017	P78	G10053	P64	G10103	P70
G9421X	P118	G10017	P130	G10053	P128	G10103	P70
G9903X	P22	G10018	P85	G10054	P62	G10103	P74
G9948X	P44	G10019	P12	G10054	P94	G10103	P99
G10001	P14	G10019	P44	G10054	P96	G10104	P8
G10001	P33	G10019	P45	G10055	P60	G10104	P8
G10001	P36	G10019	P73	G10055	P142	G10104	P44
G10001	P42	G10019	P84	G10057	P56	G10104	P44
G10001	P116	G10019	P98	G10060	P102	G10104	P54
G10001	P122	G10019	P122	G10061	P4	G10104	P56
G10002	P10	G10019	P128	G10061	P16	G10104	P56
G10002	P26	G10019	P131	G10062	P36	G10104	P64
G10002	P38	G10021	P112	G10062	P94	G10104	P65
G10003	P4	G10022	P56	G10062	P103	G10104	P80
G10003	P98	G10023	P26	G10062	P128	G10104	P114
G10003	P128	G10023	P36	G10064	P14	G10104	P127
G10003	P136	G10023	P42	G10064	P114	G10104	P128
G10003	P138	G10023	P70	G10069	P54	G10104	P128
G10004	P8	G10023	P74	G10071	P4	G10104	P130
G10004	P28	G10025	P52	G10071	P6	G10104	P130
G10004	P38	G10025	P52	G10087	P88	G10104	P130
G10004	P42	G10026	P56	G10093	P128	G10104	P134
G10004	P54	G10026	P66	G10101	P14	G10105	P52
G10004	P78	G10026	P130	G10101	P54	G10105	P56
G10004	P98	G10027	P80	G10101	P54	G10105	P80
G10004	P128	G10028	P52	G10101	P70	G10105	P130
G10005	P8	G10031	P12	G10101	P78	G10106	P40
G10005	P10	G10031	P122	G10101	P87	G10106	P44
G10005	P130	G10033	P30	G10101	P87	G10106	P64

Part No.	Page	Part No.	Page	Part No.	Page	Part No.	Page
G10106	P73	G10111	P45	G10228	P12	G10230	P134
G10106	P74	G10111	P56	G10228	P30	G10230	P142
G10106	P94	G10111	P58	G10228	P30	G10231	P52
G10106	P96	G10111	P58	G10228	P45	G10231	P52
G10106	P102	G10111	P64	G10228	P56	G10231	P56
G10106	P128	G10111	P80	G10228	P64	G10231	P56
G10107	P14	G10112	P60	G10228	P65	G10231	P66
G10107	P31	G10120	P54	G10228	P65	G10231	P80
G10107	P54	G10128	P64	G10228	P78	G10231	P130
G10107	P58	G10130	P64	G10228	P80	G10231	P130
G10107	P64	G10130	P77	G10228	P84	G10232	P40
G10107	P68	G10131	P78	G10228	P84	G10232	P44
G10107	P77	G10133	P14	G10228	P84	G10232	P64
G10107	P130	G10133	P28	G10228	P127	G10232	P73
G10107	P130	G10133	P30	G10228	P130	G10232	P74
G10108	P4	G10133	P40	G10229	P14	G10232	P94
G10108	P16	G10133	P94	G10229	P26	G10232	P94
G10108	P17	G10133	P122	G10229	P28	G10232	P96
G10108	P24	G10145	P65	G10229	P38	G10232	P96
G10108	P33	G10152	P80	G10229	P54	G10232	P98
G10108	P36	G10152	P122	G10229	P70	G10232	P128
G10108	P38	G10152	P130	G10229	P78	G10232	P131
G10108	P44	G10152	P134	G10229	P78	G10233	P64
G10108	P54	G10157	P44	G10229	P92	G10233	P68
G10108	P64	G10159	P80	G10229	P98	G10233	P77
G10108	P80	G10159	P80	G10229	P103	G10233	P78
G10108	P80	G10166	P64	G10229	P116	G10233	P127
G10108	P85	G10168	P84	G10229	P122	G10234	P60
G10108	P88	G10168	P84	G10229	P122	G10235	P38
G10108	P94	G10171	P34	G10229	P128	G10235	P64
G10108	P117	G10171	P42	G10229	P128	G10235	P68
G10108	P136	G10171	P74	G10229	P128	G10243	P122
G10108	P138	G10171	P75	G10229	P136	G10253	P70
G10109	P12	G10201	P17	G10229	P138	G10256	P74
G10109	P14	G10201	P20	G10230	P8	G10257	P25
G10109	P28	G10201	P24	G10230	P8	G10257	P70
G10109	P30	G10204	P10	G10230	P12	G10278	P65
G10109	P38	G10204	P12	G10230	P14	G10278	P134
G10109	P45	G10207	P4	G10230	P44	G10292	P134
G10109	P54	G10213	P28	G10230	P44	G10302	P128
G10109	P84	G10215	P52	G10230	P50	G10303	P64
G10110	P24	G10216	P12	G10230	P56	G10303	P68
G10110	P36	G10227	P38	G10230	P56	G10306	P136
G10110	P42	G10227	P56	G10230	P65	G10306	P138
G10110	P84	G10227	P70	G10230	P80	G10308	P14
G10110	P112	G10227	P70	G10230	P114	G10309	P16
G10110	P114	G10227	P70	G10230	P127	G10310	P20
G10111	P14	G10227	P74	G10230	P128	G10310	P24
G10111	P30	G10227	P74	G10230	P128	G10312	P4
G10111	P30	G10227	P78	G10230	P130	G10312	P24
G10111	P31	G10227	P99	G10230	P130	G10312	P114
G10111	P36	G10228	P6	G10230	P130	G10315	P24

Part No.	Page	Part No.	Page	Part No.	Page	Part No.	Page
G10324	P52	G10461	P80	G10620	P75	G10751	P8
G10325	P10	G10475	P22	G10620	P114	G10752	P8
G10325	P24	G10475	P44	G10620	P122	G10752	P16
G10326	P17	G10478	P56	G10620	P122	G10756	P44
G10328	P92	G10478	P77	G10620	P122	G10757	P24
G10330	P142	G10478	P128	G10621	P16	G10757	P122
G10338	P16	G10496	P70	G10621	P20	G10758	P24
G10338	P20	G10496	P78	G10621	P24	G10758	P122
G10338	P40	G10497	P70	G10621	P26	G10760	P49
G10338	P64	G10501	P30	G10622	P10	G10763	P50
G10341	P74	G10501	P64	G10622	P42	G10763	P52
G10341	P75	G10501	P68	G10622	P65	G10765	P28
G10348	P30	G10502X	P1	G10626	P134	G10765	P70
G10348	P60	G10503	P28	G10633	P134	G10769	P49
G10359	P56	G10536	P80	G10640	P44	G10779	P127
G10360	P56	G10544	P81	G10640	P44	G10804	P70
G10360	P56	G10544	P84	G10640	P56	G10821	P56
G10371	P30	G10546	P16	G10640	P60	G10821	P78
G10374	P70	G10546	P25	G10640	P65	G10831	P48
G10396	P44	G10546	P70	G10640	P65	G10831	P48
G10397	P64	G10551	P4	G10640	P65	G10840	P45
G10409	P77	G10560	P54	G10640	P77	G10844	P84
G10409	P128	G10567	P16	G10640	P80	G10859	P70
G10430	P76	G10567	P25	G10640	P80	G10860	P64
G10438	P4	G10570	P25	G10640	P80	G10864	P24
G10440	P60	G10574	P30	G10640	P90	G10875	P64
G10441	P142	G10574	P31	G10640	P90	G10880	P34
G10451	P54	G10581	P80	G10641	P45	G10887	P134
G10453	P76	G10581	P127	G10641	P128	G10890	P68
G10455	P56	G10583	P96	G10641	P130	G10900	P70
G10455	P78	G10595	P64	G10643	P44	G10901	P20
G10460	P44	G10599	P14	G10660	P25	G10909	P42
G10460	P44	G10599	P65	G10670	P24	G10917	P134
G10460	P48	G10602	P16	G10670	P26	G10918	P64
G10460	P48	G10602	P25	G10670	P56	G10923	P64
G10460	P48	G10602	P68	G10674	P134	G10923	P77
G10460	P48	G10602	P78	G10681	P42	G10927	P122
G10460	P48	G10602	P127	G10681	P134	G10928	P122
G10460	P52	G10606	P54	G10686	P85	G10931	P122
G10460	P56	G10606	P65	G10686	P122	G10937	P36
G10460	P65	G10610	P65	G10687	P20	G10937	P58
G10460	P70	G10615	P134	G10689	P58	G10939	P87
G10460	P77	G10619	P134	G10693	P136	G10939	P87
G10460	P80	G10620	P4	G10693	P138	G10939	P88
G10460	P80	G10620	P16	G10722	P84	G10940	P12
G10460	P80	G10620	P20	G10725	P81	G10948	P89
G10460	P130	G10620	P24	G10725	P84	G10958	P87
G10460	P142	G10620	P34	G10727	P85	G10958	P87
G10460	P142	G10620	P40	G10732	P8	G10958	P90
G10460	P142	G10620	P42	G10733	P134	G10958	P90
G10461	P56	G10620	P68	G10734	P134	G10960	P45
G10461	P60	G10620	P75	G10746	P99	G10966	P24

Part No.	Page	Part No.	Page	Part No.	Page	Part No.	Page
G10972	P92	G11091	P58	G11387	P78	G11961	P117
G10974	P28	G11091	P98	G11387	P80	G11976	P8
G10977	P94	G11100	P78	G11387	P94	G12103	P119
G10977	P96	G11122	P130	G11387	P102	G12212-08	P119
G10977	P98	G11124	P34	G11387	P117	G10011101	P8
G10982	P52	G11142	P42	G11387	P128	G10011201	P8
G10984X	P1	G11166	P152	G11387	P128	G10018801	P10
G10987	P88	G11172	P22	G11387	P136	G10028601	P12
G10991	P42	G11186	P44	G11387	P138	G10028701	P12
G10991	P136	G11202	P117	G11389	P6	G10028801	P12
G10991	P138	G11202	P117	G11389	P28	G10037301	P10
G10992	P73	G11209	P24	G11389	P36	G10038601	P4
G10992	P73	G11215	P33	G11389	P42	G10049501	P36
G10996	P70	G11215	P42	G11389	P64	G10073901	P152
G10996	P104	G11220	P6	G11389	P127	G10087001	P38
G10996	P104	G11228	P28	G11389	P128	G10090401	P10
G10996	P104	G11236	P28	G11389	P130	G10098201	P38
G10996	P104	G11237	P134	G11391	P6	G10098301	P36
G10996	P112	G11281	P22	G11391	P14	G10098401	P36
G11009	P22	G11311	P74	G11391	P20	G10122301	P4
G11012	P44	G11320	P34	G11391	P44	G10123401	P107
G11015	P4	G11320	P152	G11391	P58	G10141001	P64
G11018	P6	G11385	P24	G11391	P60	G10170801	P38
G11030	P45	G11385	P25	G11391	P65	G10201101	P118
G11031	P45	G11385	P113	G11391	P68	G10229401	P117
G11032	P44	G11386	P12	G11391	P81	G10254701	P118
G11034	P45	G11386	P12	G11391	P84	G10254901	P118
G11039X	P22	G11386	P12	G11391	P127	G10254901	P118
G11040X	P22	G11386	P12	G11391	P130	G10288701	P36
G11041X	P22	G11386	P38	G11391	P130	G10322501	P12
G11042	P130	G11386	P42	G11391	P130	G10331001	P38
G11043X	P22	G11386	P54	G11391	P130	G10333501	P38
G11044X	P22	G11386	P73	G11392	P28	G10333601	P38
G11045X	P22	G11386	P74	G11418	P84	G10333801	P38
G11047X	P22	G11386	P85	G11419	P14	G10334701	P12
G11066	P73	G11386	P98	G11448	P22	G10334801	P12
G11066	P73	G11386	P128	G11453	P78	G10334901	P12
G11066	P94	G11387	P4	G11514	P8	G10335001	P12
G11066	P96	G11387	P14	G11556	P22	G10335101	P12
G11066	P98	G11387	P14	G11578	P22	G10335201	P12
G11067	P94	G11387	P16	G11591	P4	G10339301	P38
G11067	P96	G11387	P17	G11592	P4	G10349401	P107
G11067	P98	G11387	P20	G11618	P22	G10357401	P36
G11073	P25	G11387	P24	G11619	P21	G10367101	P145
G11075	P78	G11387	P33	G11619	P22	G10367201	P149
G11076	P44	G11387	P34	G11693	P22	G10371801	P150
G11078	P78	G11387	P36	G11742	P85	G10383201	P85
G11081	P66	G11387	P38	G11793	P25	G10383401	P150
G11089	P92	G11387	P42	G11848	P34	G10389601	P36
G11091	P8	G11387	P44	G11862	P14	G10396901	P36
G11091	P20	G11387	P64	G11960	P117	G10399801	P38
G11091	P42	G11387	P70	G11960	P117	G10399901	P38

Part No.	Page	Part No.	Page	Part No.	Page	Part No.	Page
G10448601	P36	GA4976	P134	GA6686	P54	GA7859	P122
G10475701	P4	GA5090	P128	GA6687	P54	GA7862	P112
G10475701	P116	GA5105	P68	GA6699	P112	GA7863	P112
G10483401	P22	GA5106	P78	GA6700	P112	GA8046	P117
G10484901	P22	GA5107	P64	GA6701	P112	GA8046	P122
G10500901	P4	GA5107	P78	GA6725	P60	GA8047	P112
G10507001	P42	GA5108	P78	GA6738	P62	GA8047	P117
G10536301	P42	GA5109	P78	GA6741	P24	GA8047	P122
G10548901	P42	GA5110	P78	GA6761	P56	GA8050	P116
G10549801	P36	GA5111	P78	GA6782	P102	GA8050	P122
G10567801	P36	GA5112	P78	GA6813	P44	GA8130	P87
GA0160L	P80	GA5113	P64	GA6832	P30	GA8130	P87
GA0160R	P80	GA5113	P68	GA6833	P30	GA8135	P117
GA0167	P81	GA5113	P78	GA6834	P30	GA8138	P56
GA0167	P84	GA5116	P77	GA6838	P30	GA8172	P80
GA0241	P130	GA5146	P78	GA6860	P80	GA8312	P52
GA0245	P81	GA5164	P76	GA6870	P80	GA8326	P25
GA0245	P84	GA5165	P76	GA6907	P24	GA8328	P33
GA0246	P81	GA5194	P65	GA6975	P33	GA8328	P72
GA0251	P130	GA5385	P112	GA6975	P113	GA8329	P33
GA0252	P130	GA5600	P116	GA6977	P113	GA8329	P72
GA0257	P81	GA5600	P122	GA6978	P72	GA8364	P25
GA0257	P84	GA5624	P77	GA6978	P113	GA8366	P25
GA0262	P130	GA5629	P77	GA7077	P112	GA8371	P26
GA0378	P76	GA5654	P28	GA7111	P70	GA8393	P70
GA0542	P81	GA5654	P30	GA7137	P70	GA8409	P103
GA0547	P131	GA5853	P84	GA7153	P54	GA8603	P31
GA1720	P8	GA6108	P112	GA7154	P64	GA8641	P31
GA1720	P20	GA6109	P112	GA7154	P64	GA8714	P65
GA2007	P16	GA6147	P117	GA7154	P127	GA8731	P113
GA2012L	P10	GA6147	P122	GA7180	P128	GA8734	P112
GA2012R	P10	GA6171	P12	GA7245	P128	GA8735	P112
GA2014	P28	GA6171	P14	GA7246	P128	GA8760	P28
GA2014	P30	GA6171	P14	GA7248	P127	GA8844	P105
GA2014	P54	GA6171	P14	GA7254	P142	GA8905	P90
GA2068	P60	GA6177	P142	GA7256	P142	GA8906	P90
GA2068	P68	GA6434	P14	GA7258	P142	GA8907	P90
GA2068	P128	GA6527	P134	GA7324	P65	GA8910	P90
GA2528	P112	GA6597	P14	GA7336	P78	GA8928	P87
GA2559	P130	GA6640	P56	GA7372	P68	GA8931	P139
GA2612	P112	GA6646	P54	GA7434	P62	GA8948	P89
GA3407	P100	GA6649	P48	GA7434	P66	GA8951	P89
GA3407	P105	GA6649	P48	GA7453	P48	GA8961	P87
GA3413	P105	GA6654	P48	GA7454	P48	GA8962	P87
GA3552	P68	GA6655	P50	GA7852	P116	GA8963	P52
GA3553	P68	GA6655	P52	GA7852	P122	GA8971	P52
GA3584	P98	GA6656	P58	GA7853	P116	GA8994	P56
GA3893	P134	GA6657	P58	GA7854	P116	GA9031	P56
GA4031	P80	GA6658	P60	GA7855	P113	GA9032	P56
GA4293	P105	GA6660	P48	GA7855	P116	GA9097	P98
GA4376	P66	GA6660	P48	GA7857	P116	GA9101	P80
GA4444	P26	GA6685	P54	GA7859	P116	GA9144	P116

Part No.	Page	Part No.	Page	Part No.	Page	Part No.	Page
GA9408	P142	GA11988	P75	GA12868	P119	GA18348	P65
GA9459	P44	GA11991	P74	GA13204	P124	GA18402	P124
GA9479	P70	GA11991	P75	GA13512	P74	GA18403	P124
GA9481	P112	GA11992	P74	GA13521	P117	GA19112	P22
GA9504	P45	GA11993	P74	GA13522	P117	GA19114	P22
GA9510	P94	GA11994	P74	GA13562	P119	GA19115	P22
GA9511	P96	GA11995	P74	GA13572	P119	GA19960	P116
GA9512	P70	GA11997	P74	GA13719	P84	GA19960	P122
GA9513	P112	GA12102	P73	GA13741	P98	GA19961	P116
GA9518	P94	GA12105	P103	GA14086	P60	GA19961	P122
GA9519	P96	GA12143	P16	GA14127	P73	GA20622	P22
GA9526	P44	GA12145	P42	GA14152	P36	GA20640	P16
GA9554	P64	GA12191	P68	*GA14447	P124	GA20903	P118
GA9580	P92	GA12192	P68	GA14448	P119	GA21002	P85
GA9583	P92	GA12235	P28	GA14449	P119	GA21067	P95
GA9619	P66	GA12236	P28	GA14450	P124	GA21151	P118
GA9620	P66	GA12236	P30	GA14452	P124	GA21152	P118
GA9646	P44	GA12330	P136	GA14697	P88	GA21405	P74
GA9654	P44	GA12335	P138	GA14846	P72	GA21406	P33
GA9655	P44	GA12358	P73	GA14847	P33	GA21406	P42
GA9662	P45	GA12358	P75	GA14992	P45	GA21510	P34
GA9663	P45	GA12403	P116	GA15151	P84	GA21515	P4
GA9665	P45	GA12434	P80	GA15197	P14	GA21676	P12
GA9712	P130	GA12537	P124	GA15422	P152	GA21677	P12
GA9846	P68	GA12538	P122	GA15499	P110	GA21868	P42
GA9894	P44	GA12539	P119	GA16082	P116	GA24239	P31
GA9963	P72	GA12540	P124	GA16337	P112	GA24426	P34
GA9964	P33	GA12551	P124	GA16340	P113	GA24472	P112
GA9964	P72	GA12558	P124	GA16344	P124	GA24543	P106
GA9978	P117	GA12559	P124	GA16345	P124	GA24649	P119
GA9978	P122	GA12562	P124	GA16351	P124	GA24652	P124
GA9979	P117	GA12563	P122	GA16352	P124	GA24676	P22
GA9979	P122	GA12564	P124	GA16355	P125	GA24752	P22
GA10043	P44	GA12565	P124	GA16374	P20	GA24825	P66
GA10054	P70	GA12566	P124	GA16374	P124	GA24826	P66
GA10140	P105	GA12567	P124	GA16386	P124	GA24828	P66
GA10146	P92	GA12595	P52	GA16391	P72	GA24873	P18
GA10151	P20	GA12596	P124	GA16826	P124	GA24877	P22
GA10157	P4	GA12597	P127	GA16829	P124	GA24878	P22
GA10355	P130	GA12598	P124	GA16831	P124	*GA24887	P124
GA10458	P81	GA12616	P128	GA16832	P125	GA25388	P34
GA10621	P130	GA12626	P74	GA16833	P125	GA25426	P42
GA10799	P33	GA12629	P74	GA16834	P125	GA25441	P42
GA10894	P130	GA12644	P72	GA16870	P60	GA25513	P42
GA10907	P130	GA12645	P72	GA16871	P62	GA26287	P26
GA10908	P130	GA12655	P122	GA16923	P122	GA26296	P16
GA11164	P40	GA12655	P124	GA17012	P124	GA26920	P10
GA11653	P42	GA12669	P72	GA17547	P72	GA26924-01	P150
GA11691	P33	GA12686	P80	GA17547	P113	GA26924-02	P150
GA11736	P112	GA12697	P80	GA17547	P116	GA26924-03	P150
GA11982	P6	GA12852	P119	GA17683	P131	GA26924-04	P150
GA11988	P74	GA12853	P119	GA17684	P131	GA26924-05	P150

# Numerical Index

M0313-02

Model 3705

Part No.	Page	Part No.	Page	Part No.	Page	Part No.	Page
GA26924-06	P150	GB0958	P22	GD1702	P142	GD6291	P122
GA26924-08	P150	GB1090	P116	GD1719	P78	GD6551	P77
GA26924-09	P150	GB1090	P116	GD2117	P149	GD6775	P68
GA26924-10	P150	GB1090	P116	GD2199	P56	GD6825-11.25	P128
GA26924-11	P150	GB1090	P122	GD2199	P143	GD6989	P68
GA26958	P14	GB1147	P21	GD2423	P24	GD7127	P77
GA27038	P28	GB1223	P8	GD2558	P56	GD7148	P25
GB0115	P25	GB1224	P8	GD2558	P68	GD7258	P25
GB0116	P25	GB1224	P8	GD2558	P78	GD7318	P17
GB0165	P81	GB1231	P22	GD2558	P128	GD7318	P20
GB0186	P8	GB1237	P22	GD2558	P130	GD7318	P98
GB0196	P130	GD0453-07	P80	GD2597	P81	GD7426	P78
GB0218	P58	GD0671	P44	GD2597	P84	GD7803	P31
GB0218	P68	GD0677	P80	GD2681	P130	GD7804	P31
GB0218	P130	GD0704	P80	GD2721	P80	GD7817-05	P130
GB0239	P14	GD0740	P56	GD2829	P33	GD7822	P78
GB0254	P14	GD0746	P84	GD2829	P112	GD7831	P130
GB0258	P64	GD0776	P56	GD2947	P24	GD7867	P70
GB0265	P4	GD0829	P36	GD2971-10	P24	GD7867	P77
GB0266	P4	GD0831	P131	GD2971-17	P128	GD7889	P127
GB0267	P4	GD0840	P81	GD2971-26	P10	GD7907	P142
GB0268	P14	GD0840	P84	GD2984	P149	GD8066-02	P94
GB0274	P4	GD0841	P81	GD3180-06	P56	GD8066-03	P96
GB0276	P12	GD0844	P130	GD3180-13	P56	GD8218	P54
GB0278	P16	GD0914-10	P70	GD3180-24	P60	GD8460	P14
GB0278	P25	GD0914-32	P70	GD3180-30	P6	GD8739	P112
GB0282	P14	GD0914-152	P78	GD3180-33	P73	GD8740	P112
GB0287	P78	GD0914-152	P78	GD3180-33	P75	GD8741	P112
GB0314	P8	GD0914-198	P78	GD3248	P81	GD8751	P116
GB0331	P16	GD1026	P17	GD3421	P48	GD8751	P122
GB0331	P20	GD1026	P20	GD3547	P142	GD8770	P116
GB0361	P44	GD1026	P24	GD3612	P4	GD8770	P122
GB0366	P8	GD1026	P78	GD3860	P112	GD8771	P116
GB0383	P28	GD1059L	P26	GD4014	P44	GD8771	P122
GB0387	P28	GD1059R	P26	GD4700	P68	GD8839	P142
GB0387	P30	GD1060	P26	GD4701	P68	GD9120	P14
GB0393	P6	GD1061	P25	GD5506	P48	GD9254	P31
GB0395	P6	GD1063	P25	GD5752	P128	GD9349	P44
GB0396	P6	GD1065	P17	GD5753	P128	GD9361	P56
GB0397	P6	GD1065	P20	GD5835	P78	GD9362	P49
GB0464	P28	GD1085	P14	GD5857	P30	GD9366	P49
GB0554	P84	GD1109	P14	GD5857	P56	GD9367	P49
GB0676	P22	GD1113	P8	GD5857	P64	GD9462	P56
GB0697	P21	GD1114	P77	GD5857	P77	GD9463	P56
GB0780	P21	GD1132	P28	GD5857	P128	GD9464-01	P44
GB0815	P21	GD1132	P30	GD5875	P36	GD9465	P50
GB0818	P22	GD1162	P149	GD5875	P80	GD9465	P52
GB0823	P21	GD1166	P130	GD6279-05	P42	GD9467	P50
GB0907	P22	GD1255	P76	GD6279-07	P38	GD9468	P50
GB0920	P22	GD1256	P76	GD6291	P36	GD9468	P52
GB0921	P22	GD1364	P81	GD6291	P113	GD9482	P64
GB0926	P22	GD1512	P149	GD6291	P116	GD9498	P50



Part No.	Page	Part No.	Page	Part No.	Page	Part No.	Page
GD9498	P52	GD10296	P142	GD11951	P88	GD13598	P45
GD9499	P54	GD10297	P142	GD11962	P17	GD13600	P45
GD9509	P62	GD10316	P65	GD11962	P20	GD13601	P45
GD9511	P54	GD10317	P65	GD11962	P24	GD13602	P45
GD9514	P65	GD10510	P70	GD11963-01	P122	GD13603	P45
GD9515	P65	GD10519	P28	GD11988	P90	GD13604	P45
GD9516	P56	GD10637	P64	GD11988	P90	GD13605	P44
GD9529	P104	GD10674-01	P81	GD11997	P90	GD13606	P45
GD9529	P104	GD10686	P65	GD11997	P90	GD13607	P45
GD9529	P104	GD10705	P44	GD12103	P89	GD13608	P45
GD9529	P104	GD10714	P54	GD12121	P92	GD13609	P45
GD9530	P104	GD10963	P24	GD12137	P92	GD13610	P45
GD9530	P104	GD10981	P50	GD12231	P89	GD13611	P45
GD9530	P104	GD10981	P52	GD12521	P87	GD13643	P92
GD9530	P104	GD10984	P24	GD12522	P87	GD13652-02	P65
GD9531	P94	GD10991	P12	GD12525	P87	GD13744	P130
GD9533	P98	GD10993	P4	GD12535	P52	GD14115	P65
GD9535	P99	GD11001	P4	GD12545	P52	GD14217	P8
GD9536	P96	GD11045	P64	GD12548	P89	GD14217	P44
GD9537	P101	GD11045	P78	GD12550	P89	GD14258	P72
GD9542-03	P48	GD11089	P112	GD12561	P18	GD14258	P72
GD9542-04	P48	GD11089	P117	GD12564	P87	GD14413	P78
GD9566-01	P60	GD11089	P122	GD12567	P62	GD14414	P78
GD9622	P80	GD11120	P70	GD12572	P87	GD14427	P77
GD9667	P70	GD11219	P24	GD12585	P52	GD14427	P78
GD9671	P70	GD11239	P16	GD12585	P65	GD14431	P77
GD9715	P30	GD11239	P25	GD12589	P88	GD14431	P78
GD9720	P30	GD11240	P25	GD12692	P56	GD14432	P78
GD9724	P28	GD11259	P4	GD12710	P114	GD14512	P70
GD9724	P30	GD11279	P18	GD12723	P114	GD14513	P70
GD9726	P56	GD11289	P128	GD12724	P114	GD14528	P100
GD9727	P56	GD11297	P25	GD12725	P114	GD14640	P33
GD9896	P113	GD11305	P24	GD13146	P98	GD14660	P72
GD9964	P80	GD11306	P10	GD13310	P98	GD15785	P45
GD10036	P6	GD11413	P16	GD13310	P112	GD15787	P45
GD10036	P8	GD11413	P25	GD13328	P130	GD15799	P40
GD10068	P70	GD11424	P26	GD13348	P42	GD15803	P33
GD10070	P70	GD11458	P66	GD13348	P94	GD15804	P33
GD10102	P70	GD11474	P117	GD13348	P96	GD15849-02	P33
GD10103	P70	GD11474	P122	GD13348	P98	GD15849-02	P42
GD10104	P70	GD11490	P66	GD13348	P113	GD15850	P40
GD10123	P70	GD11554	P128	GD13352	P62	GD15854	P40
GD10186	P80	GD11556	P128	GD13358	P114	GD15856-08	P40
GD10200	P128	GD11677	P31	GD13365	P94	GD15856-28	P40
GD10230	P48	GD11695	P65	GD13366	P96	GD15856-33	P40
GD10230	P48	GD11700	P134	GD13377	P44	GD15856-42	P40
GD10243	P112	GD11751	P60	GD13409	P66	GD15967	P114
GD10244-01	P128	GD11751	P87	GD13447	P102	GD15968	P114
GD10248	P134	GD11751	P87	GD13448	P92	GD16037	P38
GD10254	P127	GD11783	P60	GD13449	P92	GD16038	P38
GD10273	P142	GD11894	P58	GD13456	P92	GD16245	P4
GD10283	P84	GD11895	P58	GD13524-01	P70	GD16842	P42

# Numerical Index

M0313-02

Model 3705

Part No.	Page	Part No.	Page	Part No.	Page	Part No.	Page
GD17023	P65	GD21278	P42	GD36855	P34	GR1034	P103
GD17039	P114	GD21300	P34	GD36856	P10	GR1035	P103
GD17052	P16	GD21337	P8	GD36860	P10	GR1037	P44
GD17141	P74	GD21540	P81	GD36895	P14	GR1037	P54
GD17143	P74	GD21540	P84	GD36990	P10	GR1037	P54
GD17148	P75	GD22965	P113	GM0313-01	P152	GR1037	P54
GD17151-06	P72	GD23773	P20	GM0313-02	P152	GR1037	P56
GD17151-20	P33	GD23774	P20	GR0146	P151	GR1037	P64
GD17154	P74	GD23995	P6	GR0146MPP	P151	GR1037	P80
GD17156	P74	GD24362	P122	GR0150	P81	GR1037	P89
GD17156	P74	GD24448	P62	GR0150	P84	GR1037	P92
GD17156	P75	GD24545	P4	GR0151	P81	GR1037	P94
GD18010	P72	GD25147	P22	GR0151	P84	GR1037	P94
GD18013	P122	GD25147	P22	GR0190	P131	GR1037	P94
GD18065	P128	GD25508	P36	GR0193	P44	GR1037	P96
GD18078	P74	GD25508	P94	GR0195	P131	GR1037	P96
GD18084	P74	GD25644	P34	GR0196	P4	GR1037	P98
GD18112	P73	GD26146	P14	GR0196	P24	GR1037	P98
GD18118	P117	GD26593	P22	GR0196	P25	GR1037	P99
GD18118	P122	GD26697	P42	GR0196	P56	GR1037	P99
GD18168	P117	GD26973	P28	GR0200	P131	GR1037	P100
GD18168	P122	GD28390	P4	GR0201	P56	GR1037	P101
GD18176	P124	GD28631	P22	GR0204	P131	GR1037	P101
GD18275	P72	GD29315	P107	GR0267	P131	GR1037	P103
GD18328	P52	GD29319	P107	GR0270	P66	GR1037	P103
GD18407	P119	GD29321	P107	GR0434	P66	GR1037	P110
GD18408	P119	GD29507	P16	GR0586	P116	GR1037	P110
GD18623	P42	GD29657	P22	GR0594	P122	GR1037	P110
GD18624	P42	GD29798	P4	GR0717	P44	GR1045	P98
GD18626	P40	GD30221	P85	GR0761	P104	GR1045	P99
GD18628	P122	GD30722	P85	GR0763	P104	GR1047	P103
GD18796	P72	GD30723	P85	GR0764	P104	GR1104	P136
GD18901	P73	GD30725	P10	GR0764	P105	GR1104	P138
GD18901	P75	GD30882	P34	GR0764	P105	GR1112	P136
GD18901	P122	GD30909	P40	GR0764	P105	GR1112	P138
GD19079	P75	GD30909	P42	GR0764	P105	GR1116	P136
GD19080	P74	GD30910	P40	GR0880	P134	GR1116	P138
GD19212	P80	GD31485	P112	GR0881	P134	GR1118	P136
GD19237	P74	GD33511	P95	GR0882	P134	GR1118	P138
GD19238	P74	GD34098	P34	GR0883	P134	GR1120	P136
GD19292	P31	GD34103	P34	GR0911	P56	GR1120	P138
GD19343	P78	GD34774	P22	GR0911	P127	GR1122	P128
GD19344	P78	GD34923	P142	GR0912	P56	GR1123	P136
GD19383-03	P36	GD35294	P34	GR0912	P64	GR1123	P138
GD19658-02	P42	GD35381	P38	GR0912	P68	GR1124	P136
GD19759	P122	GD35437	P42	GR0912	P78	GR1124	P138
GD20044	P74	GD35444	P10	GR0912	P127	GR1134	P136
GD20044	P75	GD35448	P34	GR1015	P134	GR1134	P138
GD20988	P88	GD36277	P24	GR1016	P134	GR1146	P130
GD20989	P88	GD36495-600	P40	GR1017	P134	GR1146	P138
GD20991	P88	GD36709	P12	GR1018	P134	GR1169	P87
GD21000	P49	GD36713	P12	GR1019	P134	GR1203	P112

Part No.	Page	Part No.	Page	Part No.	Page	Part No.	Page
GR1204	P112	GR1533	P139	GR2042	P104		
GR1204	P112	GR1535	P139	GR2067	P62		
GR1205	P112	GR1540	P139	GR2068	P62		
GR1206	P112	GR1541	P139	GR2069	P62		
GR1206	P112	GR1542	P139	GR2070	P62		
GR1207	P112	GR1543	P136	GR2071	P62		
GR1207	P112	GR1543	P138	GR2072	P62		
GR1208	P112	GR1543	P139	GR2073	P62		
GR1208	P112	GR1544	P139	GR2074	P62		
GR1254	P102	GR1545	P139	GR2075	P62		
GR1255	P102	GR1546	P87	GR2076	P62		
GR1256	P102	GR1570MPP	P151	GR2077	P62		
GR1257	P102	GR1574	P139	GR2078	P62		
GR1258	P102	GR1599	P92	GR2127MPP	P151		
GR1259	P102	GR1635	P94	GR2185	P136		
GR1260	P102	GR1635	P96	GR2233	P73		
GR1290	P113	GR1635	P98	GR2240MPP	P152		
GR1292	P72	GR1736	P33	GR2279	P119		
GR1292	P112	GR1762	P116	GR2314	P106		
GR1303	P70	GR1777	P33	GR2332	P34		
GR1304	P70	GR1777	P42	GR2333	P106		
GR1305	P70	GR1778	P74				
GR1306	P70	GR1783	P74				
GR1321	P104	GR1795	P136				
GR1322	P104	GR1796	P138				
GR1363	P72	GR1797	P136				
GR1363	P112	GR1798	P138				
GR1364	P112	GR1799	P136				
GR1389	P136	GR1800	P138				
GR1414	P117	GR1801	P136				
GR1414	P122	GR1801	P138				
GR1415	P117	GR1802	P136				
GR1415	P122	GR1803	P138				
GR1455	P103	GR1804	P136				
GR1456	P103	GR1804	P138				
GR1457	P103	GR1805	P136				
GR1458	P103	GR1805	P138				
GR1464	P80	GR1806	P136				
GR1465	P92	GR1806	P138				
GR1465	P102	GR1808	P136				
GR1465	P103	GR1808	P138				
GR1466	P98	GR1838	P119				
GR1466	P98	GR1839	P119				
GR1466	P102	GR1842MPP	P151				
GR1466	P107	GR1921	P74				
GR1466	P107	GR1943	P73				
GR1467	P107	GR1951	P74				
GR1515	P105	GR1952	P74				
GR1525	P90	GR1953	P74				
GR1525	P90	GR1962	P88				
GR1530	P87	GR2003	P136				
GR1532	P89	GR2011	P138				

