

# MODEL 3605 70CM PIVOT FOLD EXPORT PLANTER PARTS MANUAL

**M0312-02**

**Rev. 01/24**

This manual applies to:

- Model: 3605 Pivot Fold Planters
- 16 Row 70 CM "Y" Hitch; 2023 Production and on
- 12 Row 70 CM "Y" Hitch; 2023 Production and on

Record the model number and serial number of your planter along with date purchased:

Serial Number \_\_\_\_\_

Date Purchased \_\_\_\_\_

Information in this manual was current at time of printing. However, due to Kinze's ongoing product improvement, production changes may cause your machine to appear slightly different in detail. Kinze Manufacturing, Inc. reserves the right to change specifications or design without notice and without incurring obligation to install the same on machines previously manufactured.

Right hand (R.H.) and left hand (L.H.), as used throughout this manual, are determined by facing in the direction the machine will travel when in use, unless otherwise stated.

Hardware Size / Tool Required			
$\frac{1}{4}'' = \frac{7}{16}''$	$\frac{7}{16}'' = \frac{5}{8}''$ <small>(nut for <math>\frac{7}{16}''</math> hardware uses <math>\frac{11}{16}''</math> tool)</small>	$\frac{3}{4}'' = 1\frac{1}{8}''$	$1\frac{1}{4}'' = 1\frac{7}{8}''$
$\frac{5}{16}'' = \frac{1}{2}''$	$\frac{1}{2}'' = \frac{3}{4}''$	$\frac{7}{8}'' = 1\frac{5}{16}''$	$1\frac{1}{2}'' = 2\frac{1}{4}''$
$\frac{3}{8}'' = \frac{9}{16}''$	$\frac{5}{8}'' = 1\frac{5}{16}''$	$1'' = 1\frac{1}{2}''$	



**ROW UNIT**

Pull Row Unit Assembly . . . . .	P1
Shank Assembly, Seed Tube, and Depth Adjustment . . . . .	P3
Pneumatic Down Pressure Package Option . . . . .	P5
Parallel Arms, Mounting Support Plate, and Quick Adjustable Down Force Springs Option . . . . .	P7
15" Seed Opener Disc Blade/Bearing Assembly and Scrapers . . . . .	P9
Ag Leader Electric Clutch . . . . .	P11
Gauge Wheels . . . . .	P13
"V" Closing Wheels . . . . .	P15
Hopper Support and Meter Drive . . . . .	P17
Row Unit Idler (Ground Contact Drive) . . . . .	P19
Row Unit Idler (Electric Clutch) . . . . .	P20
Seed Meter Stepper Motor Pinion Press Kit . . . . .	P21
Seed Hopper and Lid . . . . .	P22
Blue Drive Row Unit Components . . . . .	P23
Hydraulic Down Force Pull Row Unit . . . . .	P25
Drag Closing Attachment . . . . .	P27
Bulk Fill Meter Mount . . . . .	P28
Vacuum Seed Meter . . . . .	P29
Granular Chemical . . . . .	P31
Granular Chemical Hopper and Hopper Panel Extension (Blue Drive) . . . . .	P33
Granular Chemical Meter (Electric Drive) . . . . .	P35
Granular Chemical Meter and Meter Drive . . . . .	P37
Granular Chemical Hopper and Hopper Panel Extension . . . . .	P38
Row Unit Mounted Residue Wheel . . . . .	P39
Coulter Mounted Residue Wheels . . . . .	P41
Row Unit Mounted No Till Coulter . . . . .	P43
True Speed Row Unit . . . . .	P45
True Speed Seed Delivery System W/Driver . . . . .	P47
Seed Delivery Rail Assembly . . . . .	P48
True Speed Seed Delivery System Assembly . . . . .	P49
True Speed Seed Meter . . . . .	P53
True Speed Meter Housing . . . . .	P55
True Speed Meter Cover . . . . .	P57
True Speed Mini-Hopper . . . . .	P59

**SPLIT ROW**

Split Row Push Unit . . . . .	P62
Split Row Push Unit Assembly . . . . .	P63
Push Row Unit Idler (Ground Contact Drive) . . . . .	P66
Ag Leader Electric Clutch, Push Unit . . . . .	P67
Split Row Blue Drive Push Unit . . . . .	P69
Split Row True Speed Push Unit . . . . .	P71
Split Row Push Unit Drive . . . . .	P73

Split Row Hydraulic Downforce Hoses and Fittings, 16 Row . . . . .	P75
Split Row Hydraulic Downforce Hoses and Fittings, 12 Row . . . . .	P77

**VACUUM SYSTEM**

Manifolds and Mounts . . . . .	P83
Vacuum System . . . . .	P85
Vacuum Fan Assembly . . . . .	P87
Vacuum Hoses (True Rate) . . . . .	P88
Vacuum Fan Hydraulic Components . . . . .	P89
Dual Stage PTO Pump, Oil Cooler & Reservoir . . . . .	P91
Dual Stage PTO Vacuum and Bulk Fill Hoses . . . . .	P93
Single Stage PTO Pump, Oil Cooler & Reservoir . . . . .	P95
Dual Stage PTO Oil Reservoir Assembly . . . . .	P97
Single Stage PTO Oil Reservoir Assembly . . . . .	P99
PTO Gear Pump Mount Assembly . . . . .	P101

**BULK FILL**

Bulk Fill Fan System . . . . .	P103
Bulk Fill Hoses, 12 Row . . . . .	P105
Bulk Fill Hoses, 16 Row . . . . .	P106
Bulk Fill Catwalk . . . . .	P107
Bulk Fill Manifolds and Mounts . . . . .	P110
Bulk Fill Entrainer Assembly, 12 Row . . . . .	P111
Bulk Fill Entrainer Assembly, 16 Row . . . . .	P113
Bulk Fill Tank Assembly . . . . .	P115
Bulk Fill Scale Package . . . . .	P117
Bulk Fill Vacuum Row Unit . . . . .	P119
Bulk Fill Split Row Push Unit . . . . .	P121
Bulk Fill Fan Hydraulic Components . . . . .	P123

**BASE MACHINE**

Outer Hitch . . . . .	P125
2-Point Hitch Option . . . . .	P127
Wing Lock . . . . .	P128
Inner Hitch, "Y" . . . . .	P129
Hose Take-Up . . . . .	P131
Center Frame . . . . .	P133
Wing Frame . . . . .	P137
Center Pivot . . . . .	P139
Axle Assembly . . . . .	P141
Axle Sub-Assembly . . . . .	P142
Center Frame Wheel . . . . .	P143
Drive Shaft(s) . . . . .	P145
Contact Wheel . . . . .	P147
Contact Drive Sprockets & Chains . . . . .	P148

Seed Rate Transmission and Row Unit Drill Shafts. . . . P149

Inner Module Drive . . . . . P151

Point Row Clutch . . . . . P153

Pneumatic Down Pressure Control Console,  
 Sending Unit, and Harnesses . . . . . P155

Air Compressor, Dual Solenoid Assembly, Tubing, and  
 Fittings . . . . . P157

Row Marker Assembly . . . . . P159

Row Marker Stand . . . . . P162

Row Marker Spindle/Hub/Blade. . . . . P163

Water Tank Assembly . . . . . P165

Implement Switch Assemblies . . . . . P166

Row Marker Cylinder . . . . . P167

Rotation Cylinder . . . . . P168

Wing Lift Cylinder, 12 Row . . . . . P169

Wing Lift Cylinder, 16 Row. . . . . P170

Center Lift Cylinder . . . . . P171

Wing Lock Cylinder . . . . . P173

Tongue Lock Cylinder . . . . . P174

Transport Latch Cylinder . . . . . P174

Tongue Cylinder . . . . . P175

Wing Down Pressure Cylinder . . . . . P177

Hydraulic Down Force Cylinder . . . . . P178

Junction/Valve Blocks - Located on R.H. Rear Center  
 Frame . . . . . P179

Valve Blocks - Located on R.H. Rear Center Frame . . . P181

Valve Block - Located on Hitch . . . . . P183

Wing Down Pressure Valve Block . . . . . P184

Active Hydraulic Weight Transfer Valve Block . . . . . P185

Fertilizer Pump Hydraulic Block . . . . . P186

PTO Oil Reservoir Hydraulic Block (Blue Drive) . . . . . P187

Manifold Hydraulic Block Assembly . . . . . P188

Vacuum Fan Motor Valve Block Assembly (Located  
 Below Vacuum Fan Motor Assembly),  
 Ground Contact Drive . . . . . P189

Vacuum Fan Motor Valve Block Assembly (Located  
 Below Vacuum Fan Motor Assembly), Blue Drive . . . P190

Bulk Fill Fan Valve Block, Ground Contact Drive . . . . . P191

Solenoid Valve . . . . . P192

Bulk Fill Fan Valve Block, Blue Drive . . . . . P193

PTO Pump Hydraulic Valve Block (Bulk Fill/Blue Drive) P195

PTO Pump Hydraulic Valve Block  
 (Bulk Fill/Ground Contact Drive) . . . . . P196

Base Machine Hydraulic Hoses and Fittings on Hitch . . P197

Base Machine Hydraulic Hoses and Fittings on Planter  
 Frame, 12 Row . . . . . P199

Base Machine Hydraulic Hoses and Fittings on Planter

Frame, 16 Row . . . . . P201

Wing Down Pressure Hydraulic Schematics . . . . . P203

Row Unit Control Blocks . . . . . P204

Blue Drive Power Pack Hydraulic Hose. . . . . P205

Hydraulic Down Force Hoses and Fittings, 12 Row  
 Pull Row Unit (Blue Drive). . . . . P207

Hydraulic Down Force Hoses and Fittings, 16 Row  
 Pull Row Unit (Blue Drive). . . . . P208

Hydraulic Down Force Manifold Block Assembly. . . . . P209

**ELECTRONICS**

Work Lights . . . . . P213

Transport Lights and SMV Sign . . . . . P214

Electrical Components . . . . . P215

KPM III Electronic Seed Monitor . . . . . P217

Miscellaneous Display Parts . . . . . P220

Ag Leader Electric Clutch Package . . . . . P221

Connects to Split Row Electric Clutch . . . . . P221

Planter Monitor Module (PMM) . . . . . P223

Wing Mounted Power Pack . . . . . P226

Power Pack Assembly . . . . . P227

IPN, IPR, IPP Modules Center Mount . . . . . P229

IPP Module Assembly Mounting . . . . . P231

Blue Vantage Wheel Speed Sensor . . . . . P232

Blue Vantage Display . . . . . P233

Blue Drive Blue Vantage Interconnect, 16 Row . . . . . P235

Ethernet Interconnect, 16 Row . . . . . P237

Blue Drive Blue Vantage Interconnect, 12 Row . . . . . P239

Ethernet Interconnect, 12 Row . . . . . P241

True Speed Harness Interconnect, 16 Row . . . . . P243

True Speed Harness Interconnect, 12 Row . . . . . P245

True Speed Ethernet Interconnect, 16 Row . . . . . P247

True Speed Ethernet Interconnect, 12 Row . . . . . P248

Liquid Fertilizer True Rate Interconnect, 12 Row . . . . . P249

Liquid Fertilizer True Speed Interconnect, 12 Row . . . . . P250

Liquid Fertilizer True Rate Interconnect, 16 Row . . . . . P251

Liquid Fertilizer True Speed Interconnect, 16 Row . . . . . P252

BV Liquid Fertilizer True Rate Interconnect, 12 Row . . . P253

BV Liquid Fertilizer True Speed Interconnect, 12 Row . . . P254

BV Liquid Fertilizer True Rate Interconnect, 16 Row . . . P255

BV Liquid Fertilizer True Speed Interconnect, 16 Row . . . P256

PTO Harness Interconnect . . . . . P257

PTO Harness Interconnect . . . . . P258

Blue Vantage Cameras . . . . . P259

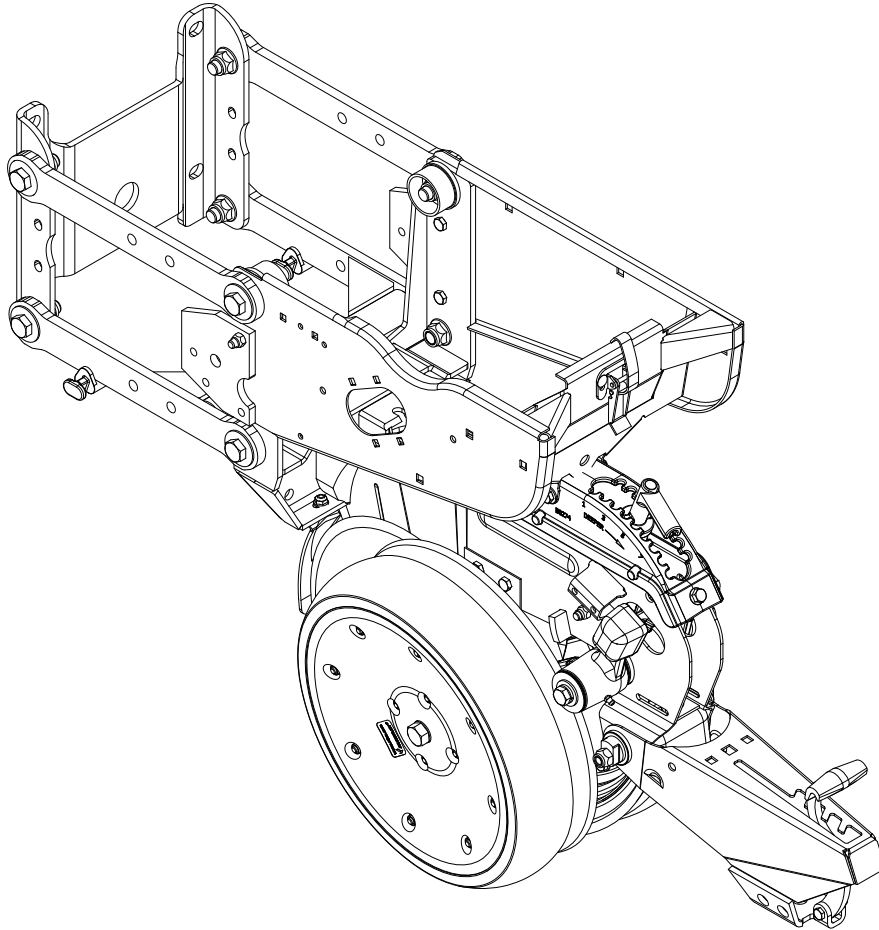
Liquid Fertilizer Pump IPN . . . . . P260

PTO Package Electrical Schematic . . . . . P261

**FERTILIZER**

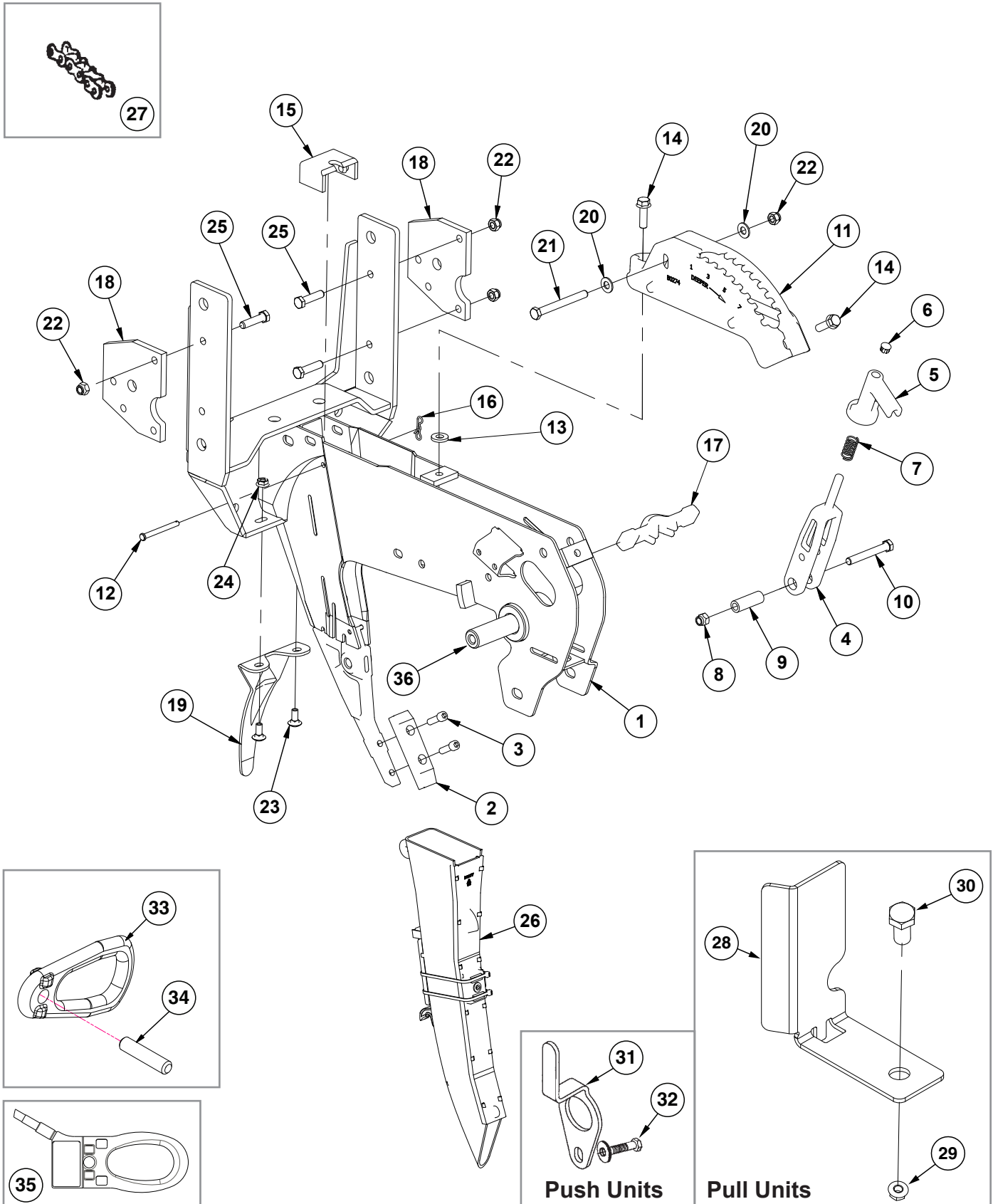
Double Disc Fertilizer Opener and Mount . . . . .	P262	Diaphragm Pump Assembly . . . . .	P321
HD Single Disc Fertilizer Opener (Blade and Drop Tube) . . . . .	P264	Pressure Regulator . . . . .	P322
Notched Single Disc Fertilizer Opener . . . . .	P266	Manifold Y Strainer Assemblies . . . . .	P323
Residue Wheel Attachment for Notched Single Disc Fertilizer Opener . . . . .	P268	Manifold Row Flow Assembly . . . . .	P324
Depth/Gauge Wheel Attachment for Notched Single Disc Fertilizer Opener . . . . .	P270	Fertilizer Flow Meter Assembly . . . . .	P325
Hose Adapter Assembly . . . . .	P272	Fertilizer Flow Meter Cover . . . . .	P326
Hose Adapter Assembly . . . . .	P273	Orifice Storage Box . . . . .	P327
Liquid Fertilizer Drop Tube Assembly . . . . .	P274	Center Tee Holder Assembly (Blue Drive Liquid Fertilizer). . . . .	P328
Liquid Fertilizer Tube In Furrow . . . . .	P275	3-Way Valve Unit Assembly (Blue Drive Liquid Fertilizer). . . . .	P329
Dry Fertilizer Transmission . . . . .	P276	Front and Rear Tee Assembly (Blue Drive Liquid Fertilizer). . . . .	P330
Dry Fertilizer Drive . . . . .	P278	L.H. Side Shown . . . . .	P332
Dry Fertilizer Hopper . . . . .	P280	Liquid Fertilizer 300 Gal. Tank Assembly (Blue Drive). . . . .	P332
Dry Fertilizer Hopper Mounts . . . . .	P282	R.H. Side Shown . . . . .	P334
Dry Fertilizer Coupler/Shafts . . . . .	P283	Liquid Fertilizer 200 Gal. Tank Assembly (Blue Drive). . . . .	P334
Dry Fertilizer Transmission W/ Blue Drive, 12 Row . . . . .	P284	Blue Drive Only . . . . .	P335
Dry Fertilizer Transmission W/ Blue Drive, 16 Row . . . . .	P286	Liquid Fertilizer 200 Gal. Tank Pre-Assembly (Blue Drive) . . . . .	P335
GCD Liquid Fertilizer System . . . . .	P288	Tank Mount Support Arm . . . . .	P336
Piston Pump Mount and Ground Drive Wheel (GCD) . . . . .	P290	Liquid Fertilizer Assembly Tees (Blue Drive, Bulk Fill) . . . . .	P337
Liquid Fertilizer Tanks, Saddles, Saddles Mounts, and Tank Fittings (Conventional, GCD) . . . . .	P292	Hoses for BV-controlled Liquid Fertilizer . . . . .	P338
Liquid Fertilizer Tanks, Saddles, Saddles Mounts, and Tank Fittings (Bulk Fill, GCD) . . . . .	P294	BV Liquid Misc. Parts . . . . .	P339
Ground Drive Wheel Mount Assembly (GCD) . . . . .	P296	BV Liquid Hose Holders & Brackets . . . . .	P340
Piston Pump Mount and Fittings (GCD) . . . . .	P298	BV Liquid Hose Holders & Brackets . . . . .	P341
Liquid Fertilizer Piston Pump (Uses 18 Tooth Sprocket) (GCD) . . . . .	P300	Rear Trailer Hitch, Bulk Fill . . . . .	P342
Liquid Piston Pump Flow Divider Mount (GCD) . . . . .	P302		
Liquid Fertilizer Fill Valve Mounting Assembly . . . . .	P303	<b>MISCELLANEOUS . . . . . P344</b>	
Liquid Fertilizer Piston Pump Flow Divider (GCD) . . . . .	P304	<b>NUMERICAL INDEX . . . . . P358</b>	
Fertilizer Shut Off (w/ Blue Drive) . . . . .	P306		
Nozzle w/ Strainer . . . . .	P306		
Fertilizer Pump Mount . . . . .	P308		
Diaphragm Fertilizer Pump Assembly (Blue Drive) . . . . .	P309		
Fertilizer Sensors (Blue Drive) . . . . .	P310		
Diaphragm Fertilizer Pump Ball Valve and Filter (Blue Drive) . . . . .	P311		
Flow Meter Assembly (Blue Drive) . . . . .	P312		
BV-controlled Liquid Fertilizer Manifolds, 12 Row . . . . .	P314		
BV-controlled Liquid Fertilizer Manifolds, 16 Row . . . . .	P316		
Fertilizer Manifold Parts . . . . .	P318		
Diaphragm Liquid Fertilizer Pump Assembly (Blue Drive) . . . . .	P319		
Diaphragm Pump Assembly . . . . .	P320		

**NOTE:** Row unit assembly does not include the following: seed meter assembly, seed tube assembly, row unit hopper assembly, closing wheels, or seed meter clutch.



ITEM	PART NO.	QTY. (Per Row)	DESCRIPTION
1	G10502X	1	Pull Row Unit Assembly (Standard Gauge Wheels)
2	G10984X	1	Pull Row Unit Assembly (Spoked Gauge Wheels)
3	G10921X	1	Pull Row Unit Assembly (Spoked Gauge Wheels), <b>True Speed</b>

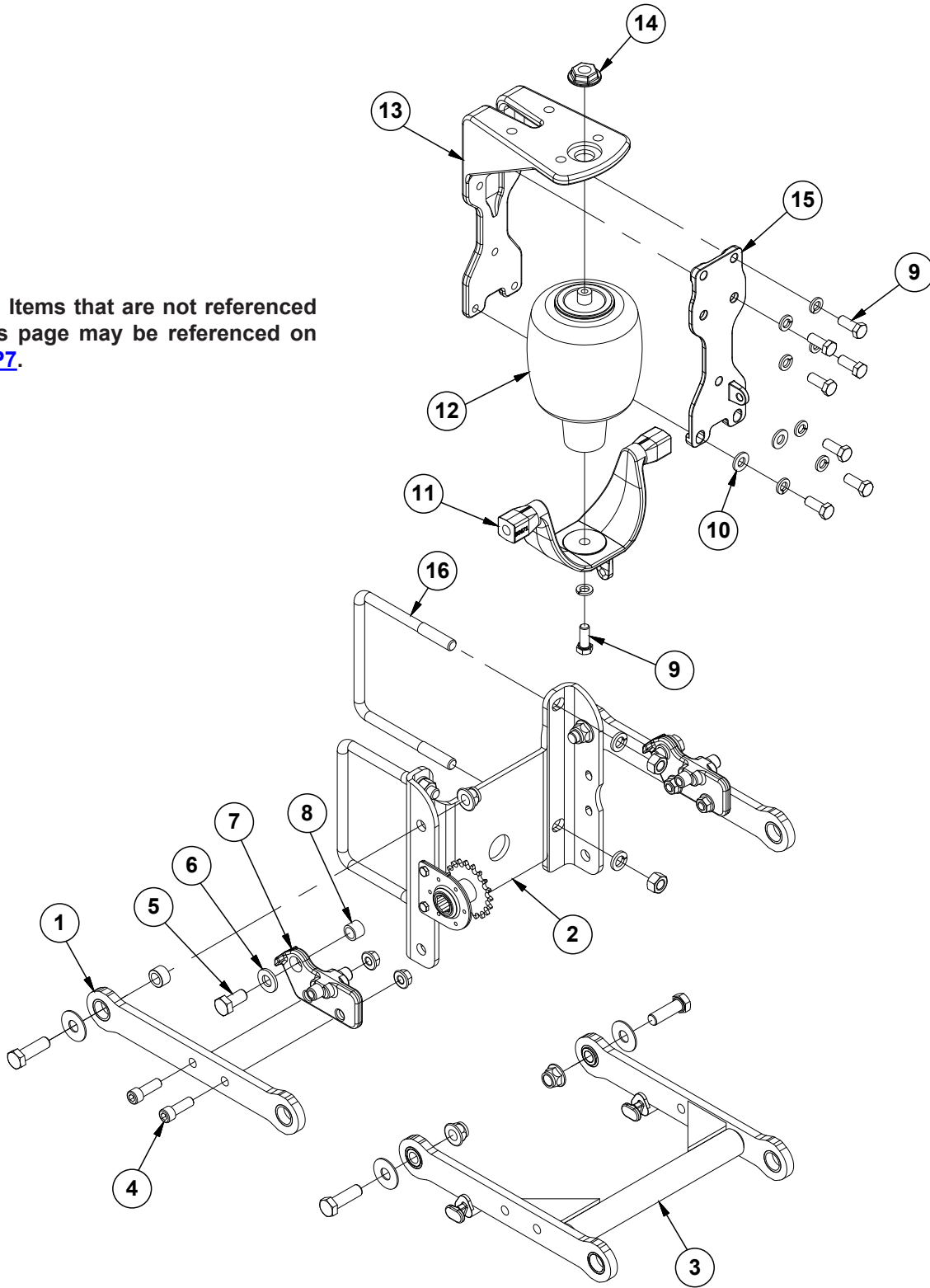
**This page left blank intentionally.**



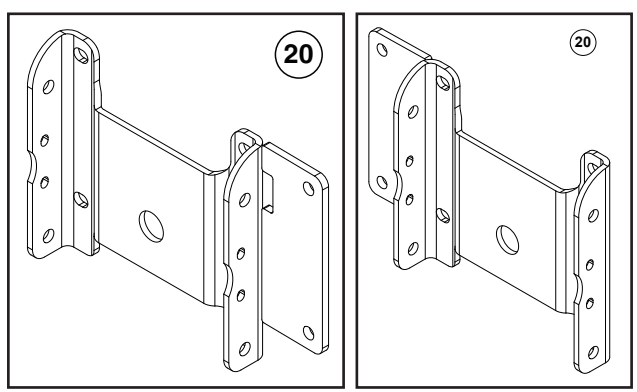
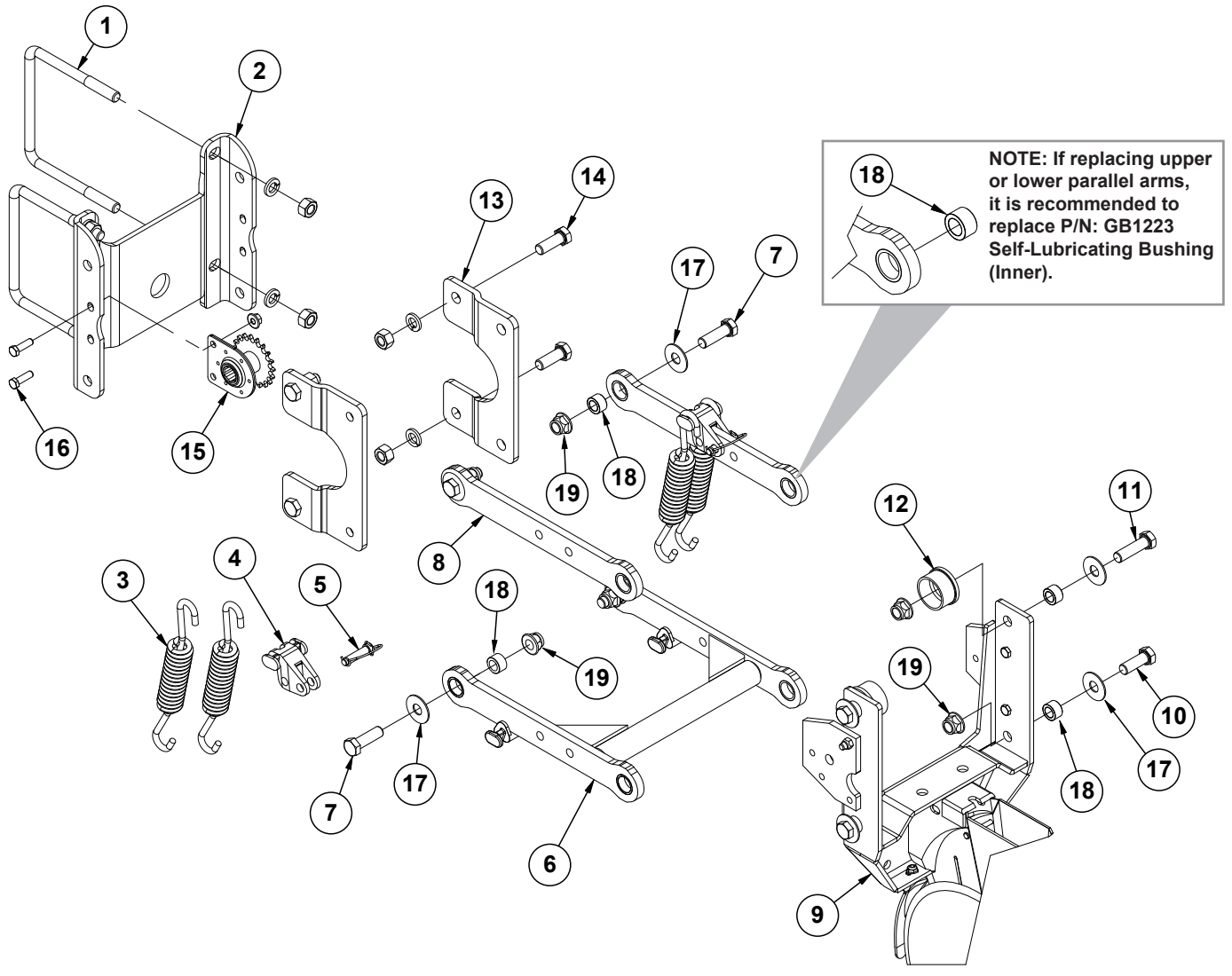


ITEM	PART NO.	QTY. (Per Row)	DESCRIPTION
1	GA10157	1	Shank W/Gauge Wheel Pivot Spindle and Set Screw ( <b>True Rate</b> )
	G10258402	1	Shank ( <b>True Speed</b> )
2	G10038601	1	Scraper
3	G10500901	2	Hex Socket Head Cap Screw, 5/16"-18 x 1"
4	GB0267	1	Lever, Depth Adjustment
5	GB0266	1	Handle, Depth Adjustment
6	GD3612	1	Cap Plug
7	GD10993	1	Spring
8	G11591	1	Nylon Lock Nut, 3/8"-24, Grade C
9	GD11259	1	Sleeve, 3/8" I.D. x 5/8" O.D. x 1 <sup>25</sup> / <sub>32</sub> " Long
10	G11592	1	Hex Head Cap Screw, 3/8"-24 x 2 <sup>3</sup> / <sub>4</sub> ", Grade 8
11	GB0274	1	Cover, Depth Adjustment
12	G10551	1	Clevis Pin, 1/4" x 2 1/2"
13	G10207	1	Washer, 7/8" O.D. x 1 <sup>3</sup> / <sub>32</sub> " I.D. x .134" (If Applicable)
14	G11015	2	Hex Washer Head Cap Screw, 3/8"-16 x 1 1/4"
15	GD16245	1	Sun Shade (Rubber)
16	G10122301	1	Bow Tie Cotter Pin
17	GB0265	1	Pivot Link, Depth Adjustment
18	GD24545	2	Row Unit Stop
19	GD28390	1	Shield
20	G11387	2	Flat Washer, 3/8" SAE
21	G10061	1	Hex Head Cap Screw, 3/8"-16 x 3 1/2"
22	G10108	4	Lock Nut, 3/8"-16
23	G10312	2	Carriage Bolt, 5/16"-18 x 3/4"
24	G10620	2	Serrated Flange Nut, 5/16"-18
25	G10003	3	Hex Head Cap Screw, 3/8"-16 x 1 1/2"
26	GA21515	1	Seed Tube Assembly
27	G3303-108	1	Chain, No. 41, 108 Pitch Including Connector Link (Vacuum)
	G3303-16	1	Chain, No. 41, 16 Pitch Including Connector Link (Used W/Row Unit Extension Brackets)
	GR0196	-	Connector Link, No. 41
28	GD29798	1	Chain Guard
29	G10071	1	Serrated Flange Nut, 1/2"-13
30	G10014	1	Hex Head Cap Screw, 1/2"-13 x 1"
31	GD17014	1	Hose Guide, Push Units
32	G10753	1	Hex Head Cap Screw, 3/8"-16 x 4 1/2"
	G11387	7	Flat Washer, 3/8" SAE
	G10108	1	Lock Nut, 3/8"-16
33	GB0285	-	No True Depth Collar, Row Unit (Non-True Depth planters only)
34	G10402701	-	Depth Adjustment Pin
35	GA27146	-	Link Sensor, True Depth (True Depth equipped planters only)
36	GD11001	1	Spindle
	G10438	1	Hex Head Cap Screw, 1/2"-13 x 3/4"

**NOTE:** Items that are not referenced on this page may be referenced on [page P7](#).



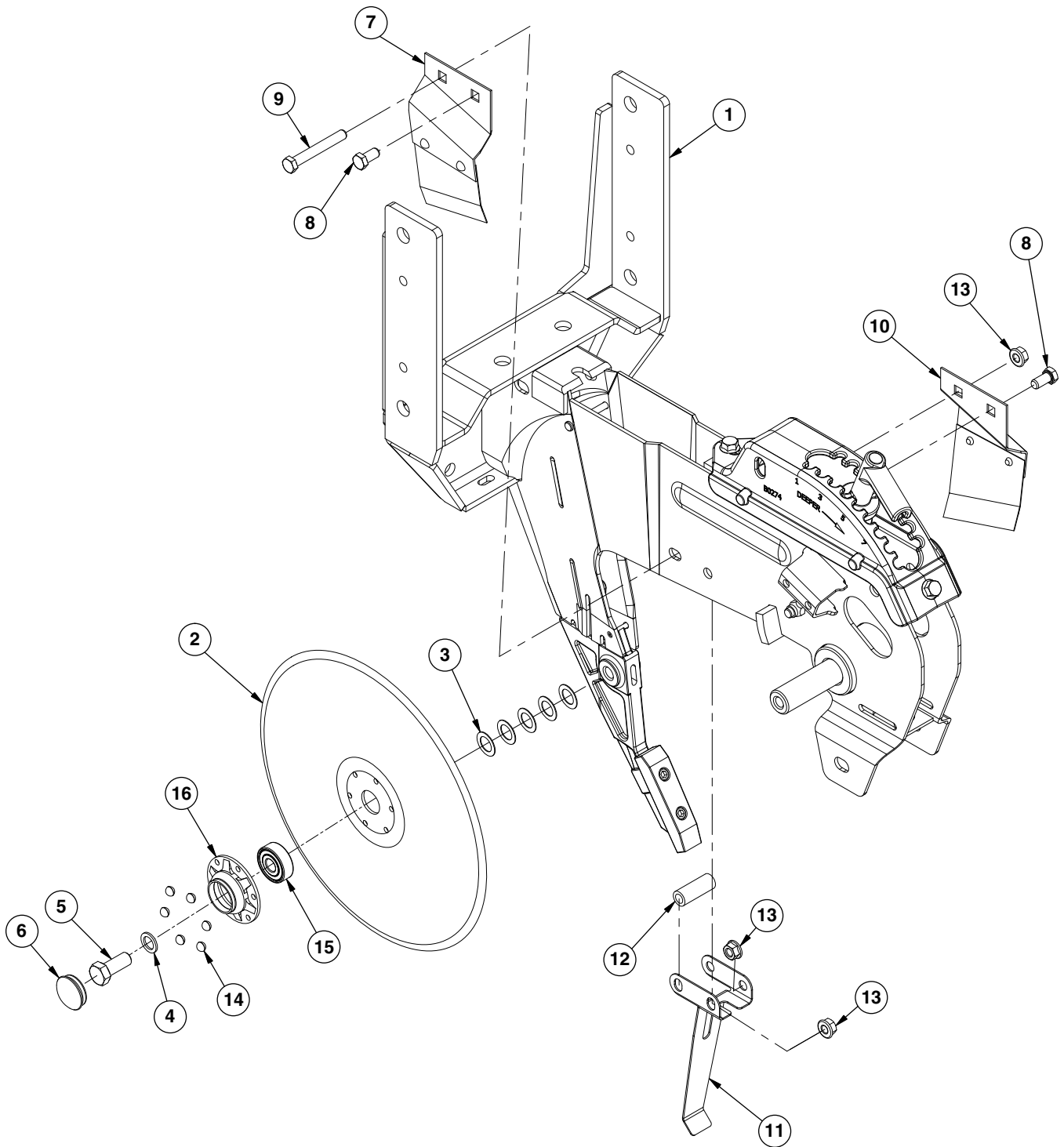
ITEM	PART NO.	QTY. (Per Row)	DESCRIPTION
1	---	-	<a href="#">See "Parallel Arms, Mounting Support Plate, and Quick Adjustable Down Force Springs Option" on page P7</a>
2	GD10036	1	Mounting Support Plate
3	---	-	<a href="#">See "Parallel Arms, Mounting Support Plate, and Quick Adjustable Down Force Springs Option" on page P7</a>
4	G11220	4	Hex Socket Cap Screw, 1/2"-13 x 1 1/2"
	G10071	4	Serrated Flange Nut, 1/2"-13
5	G11018	2	Hex Head Cap Screw, 5/8"-18 x 1 1/4"
6	G11391	2	Flat Washer, 5/8" SAE
7	GB0395	2	Bracket
8	GD3180-30	2	Sleeve, 7/8" O.D. x 5/8" I.D. x 2 1/32"
9	G10037	8	Hex Head Cap Screw, 1/2"-13 x 1 1/4"
	G10228	8	Lock Washer, 1/2"
10	G11389	2	Flat Washer, 1/2" SAE
11	GD23995	1	Saddle
12	GA11982	1	Air Spring Assembly
13	GB0396	1	Head Mount
14	GB0397	1	Shoulder Nut, 3/4"-16
15	GB0393	1	Plate
16	---	-	<a href="#">See "Parallel Arms, Mounting Support Plate, and Quick Adjustable Down Force Springs Option" on page P7</a>



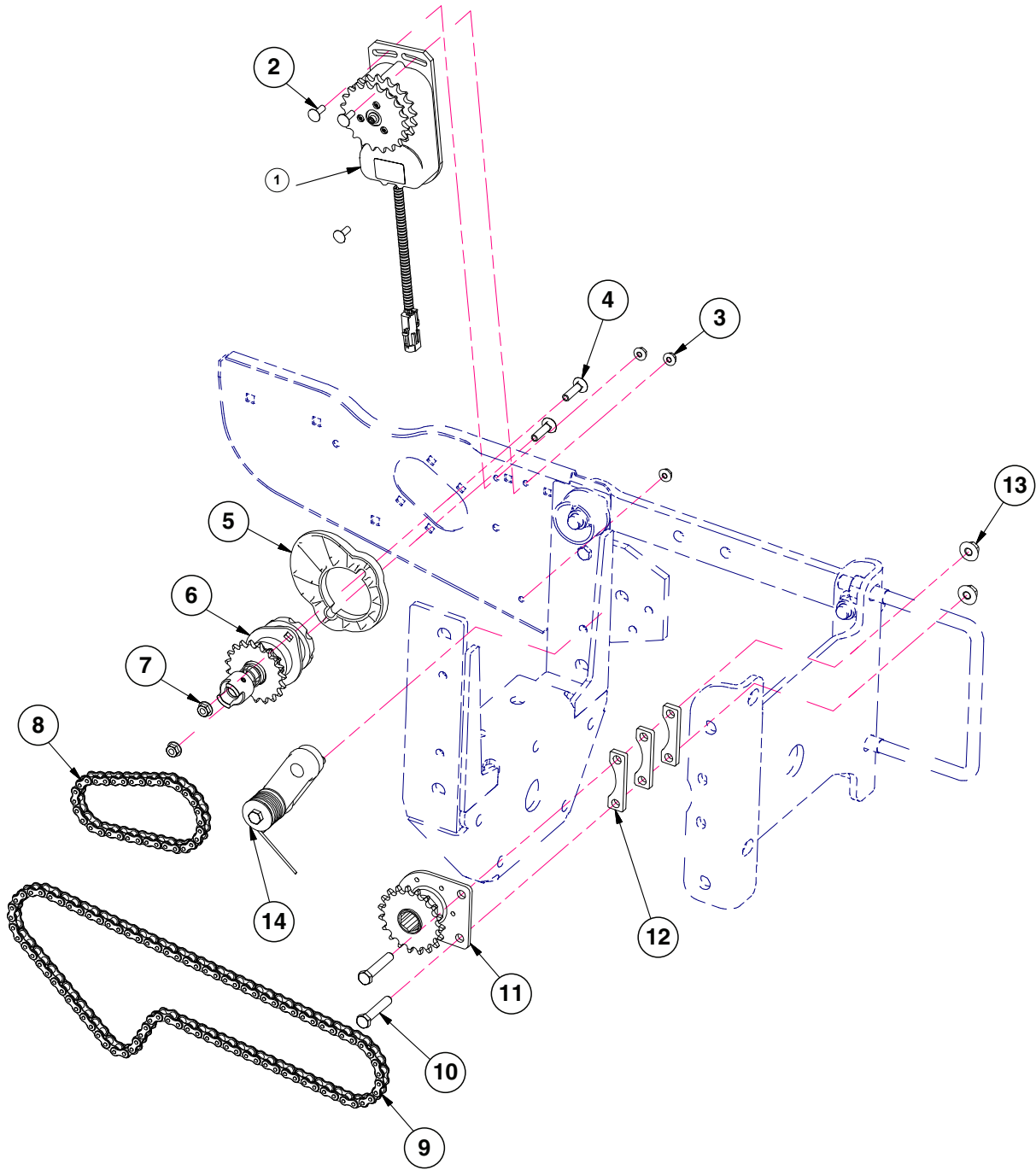
Row #4

Row #13

ITEM	PART NO.	QTY. (Per Row)	DESCRIPTION
1	GD1113	2	U-Bolt, 5" x 7" x 5/8"-11
	G11391	4	Lock Washer, 5/8"
	G10107	4	Hex Nut, 5/8"-11
2	GD10036	1	Mounting Support Plate
3	GD21337	4	Heavy Duty Down Pressure Spring
4	GB0186	2	Spring Anchor
5	GD14217	2	Tab Lock Pin, 7/16" x 1 1/2"
6	G10011201	1	Lower Parallel Arm Assembly
	GB1224		Self-Lubricating Bushing, 1 1/4" O.D. x 1" I.D. x 1/2" (Included in G10011201)
7	G10732	4	Hex Head Cap Screw, 5/8"-18 x 2"
8	G10011101	2	Upper Parallel Arm Assembly
	GB1224	2	Self-Lubricating Bushing, 1 1/4" O.D. x 1" I.D. x 1/2" (Included in G10011101)
9	---	-	<a href="#">See "Shank Assembly, Seed Tube, and Depth Adjustment" on page P3</a>
10	G10751	2	Hex Head Cap Screw, 5/8"-18 x 1 3/4"
11	G10752	2	Hex Head Cap Screw, 5/8"-18 x 2 1/4"
12	GB0314	2	Hopper Mount
13	GB0366	2	Extension Bracket
14	G10005	4	Hex Head Cap Screw, 5/8"-11 x 1 3/4"
	G10230	4	Lock Washer, 5/8"
	G10104	4	Hex Nut, 5/8"-11
15	GA1720	1	Bearing/Sprocket, 7/8" Hex Bore
16	G10004	2	Hex Head Cap Screw, 3/8"-16 x 1 1/4"
	G11091	2	Serrated Flange Nut, 3/8"-16
17	G11976	8	Flat Washer, 5/8" x 1 3/4"
18	GB1223	8	Self-Lubricating Bushing
19	G11514	8	Lock Nut, 5/8"-18
20	GA17595	-	Offset Plate Mount, L.H.
21	GA17596	-	Offset Plate Mount, R.H.
A	G6325X	-	U-Bolt Package For 5" x 7" Toolbar, Includes: (2) GD1113, (4) G10230, (4) G10104
B	G1K758	-	Pull Row Unit Parallel Arm Kit, Includes: (2) G10011101, (1) G10011201, (8) GB1223, (8) G11976, (4) G10732, (2) G10751, (2) G10752, (8) G11514, (1) IS1066

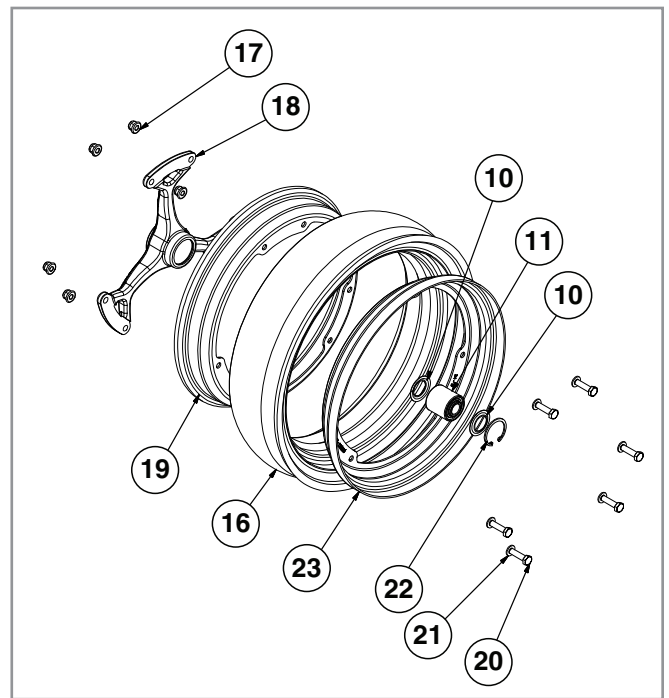
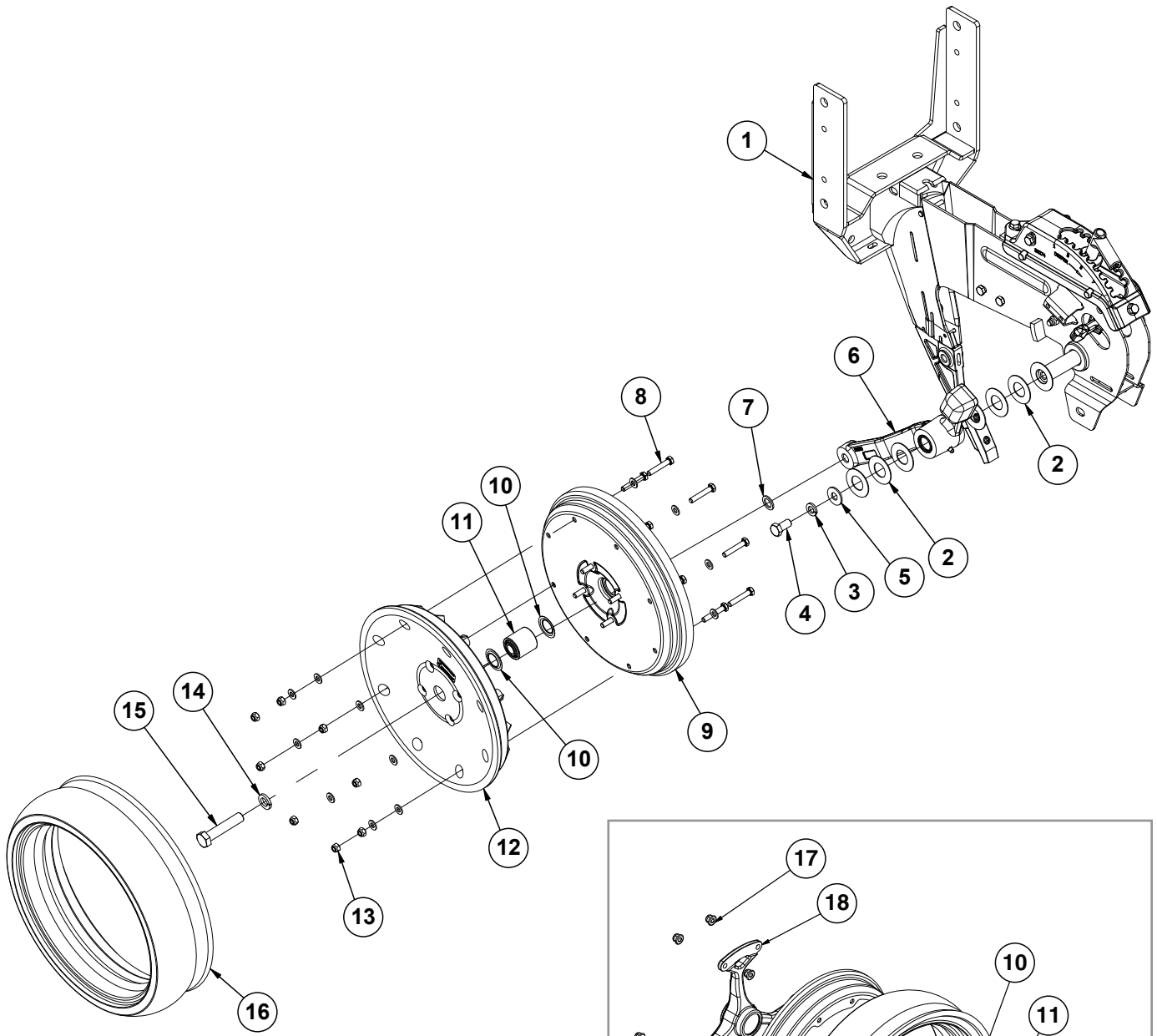


ITEM	PART NO.	QTY. (Per Row)	DESCRIPTION
1	G10037301	1	<a href="#">See "Shank Assembly, Seed Tube, and Depth Adjustment" on page P3</a>
2	GD11306	1	Disc Blade, 3.5 mm x 15"
3	GD30725	10	Machine Bushing, 5/8" (.030" Thick) (5 Per)
4	G10204	2	Special Machine Bushing, 5/8" x 1" O.D.
5	GD36856	1	Opener Blade Bolt, 5/8"-11 x 1 3/4", Grade 5
	G10005	1	Hex Head Cap Screw, 5/8"-11 x 1 3/4"
6	G10090401	2	Plastic Ribbed Hub Cap (1 Per)
7	GA2012L	1	Disc Scraper, L.H.
8	G10002	2	Hex Head Cap Screw, 3/8"-16 x 3/4"
9	G10325	1	Hex Head Cap Screw, 3/8"-16 x 2 3/4"
10	GA2012R	1	Disc Scraper, R.H.
11	GD35444	1	Seed Tube Bracket
12	GD2971-26	1	Sleeve, 3/8" I.D x 5/8" O.D. x 1.63" Long
13	G10622	3	Serrated Flange Nut, 3/8"-16
14	GD36990	6	Rivet, 1/4" x 9/16"
15	GA26920	1	Bearing
16	GD36860		Bearing Housing
A	G10018801	-	Disc Blade/Bearing Assembly, Less Dust Cap (Items 2, 14-16)



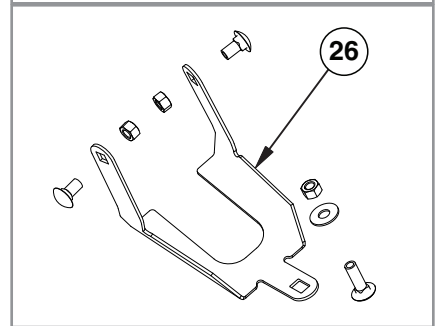
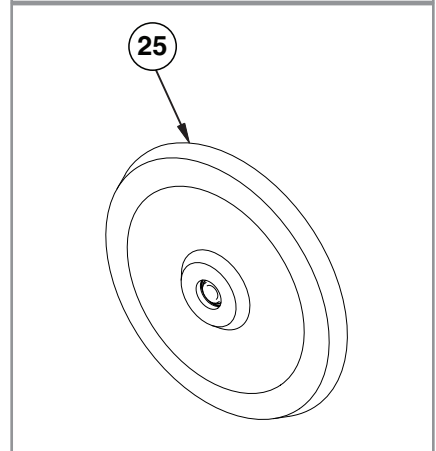
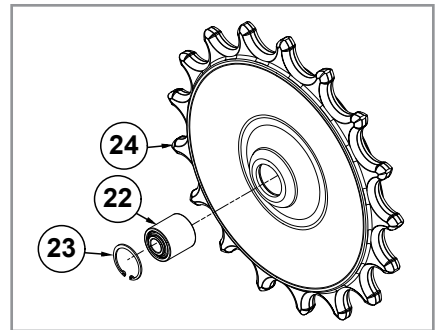
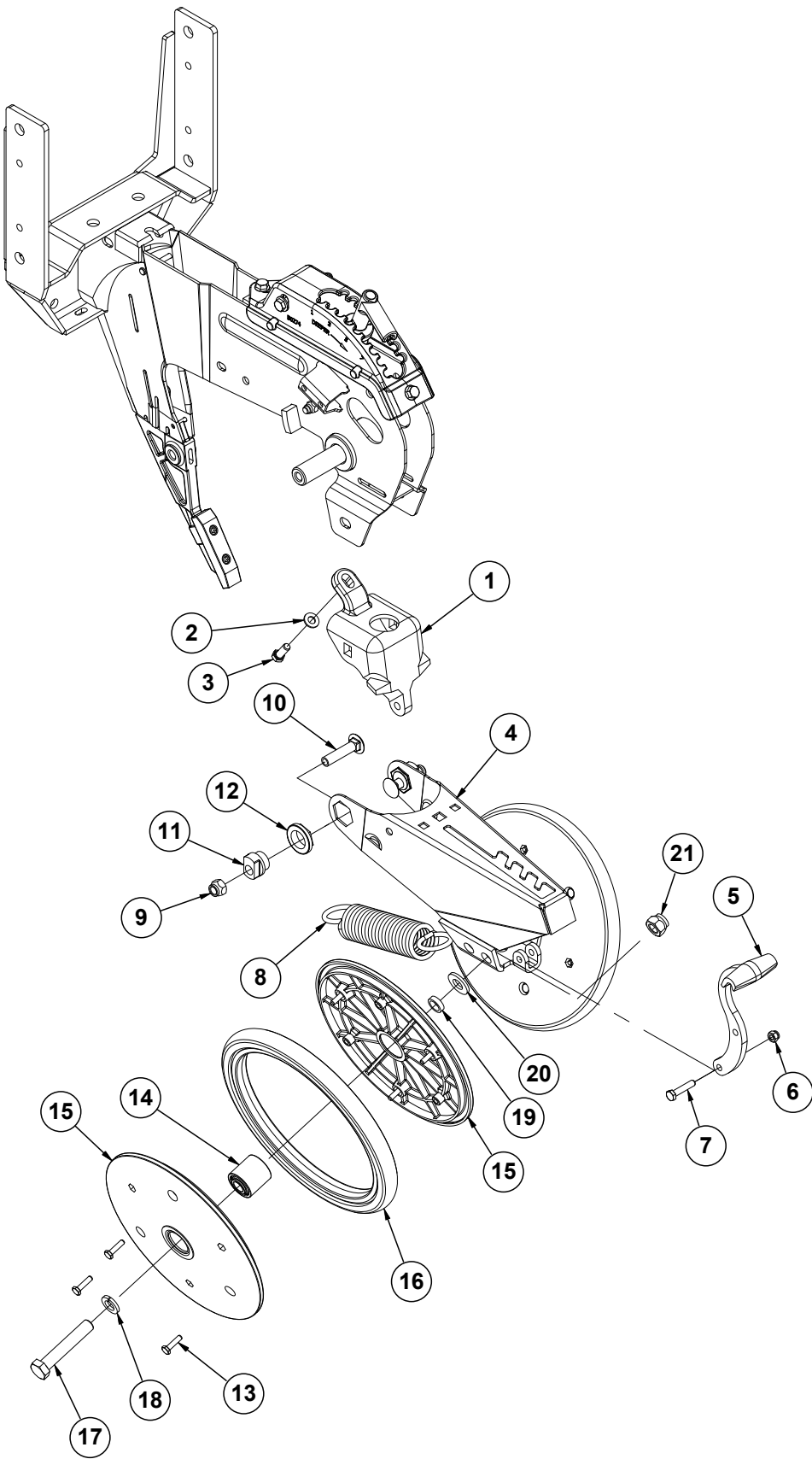


ITEM	PART NO.	QTY. (Per Row)	DESCRIPTION
1	GA16374	1	Electric Clutch
2	G10310	3	Carriage Bolt, 1/4"-20 x 3/4", Grade 2
3	G10621	3	Serrated Flange Nut, 1/4"-20
4	G10338	2	Carriage Bolt, 5/16"-18 x 1 1/4"
5	GB0331	1	Clutch Adapter Plate
6	GA20640	1	Seed Meter Clutch Assembly, 11/28 Tooth (Vacuum)
7	G10620	2	Serrated Flange Nut, 5/16"-18
8	G3303-44	1	Chain, No. 41, 44 Pitch Including Connector Link (Vacuum)
9	G3303-88	1	Chain, No. 41, 88 Pitch Including Connector Link (Pull Row Unit, Shown)
	G3303-103	1	Chain, No. 41, 103 Pitch Including Connector Link (4 Center Row Units Only)
10	G10048	2	Hex Head Cap Screw, 3/8"-16 x 2"
11	GA1720	1	Adapter Clutch HS Driver Cable
12	GD23774	3	Spacer
13	G11091	2	Serrated Flange Nut, 3/8"-16
14	---	1	<a href="#">See "Row Unit Idler (Electric Clutch)" on page P20</a>

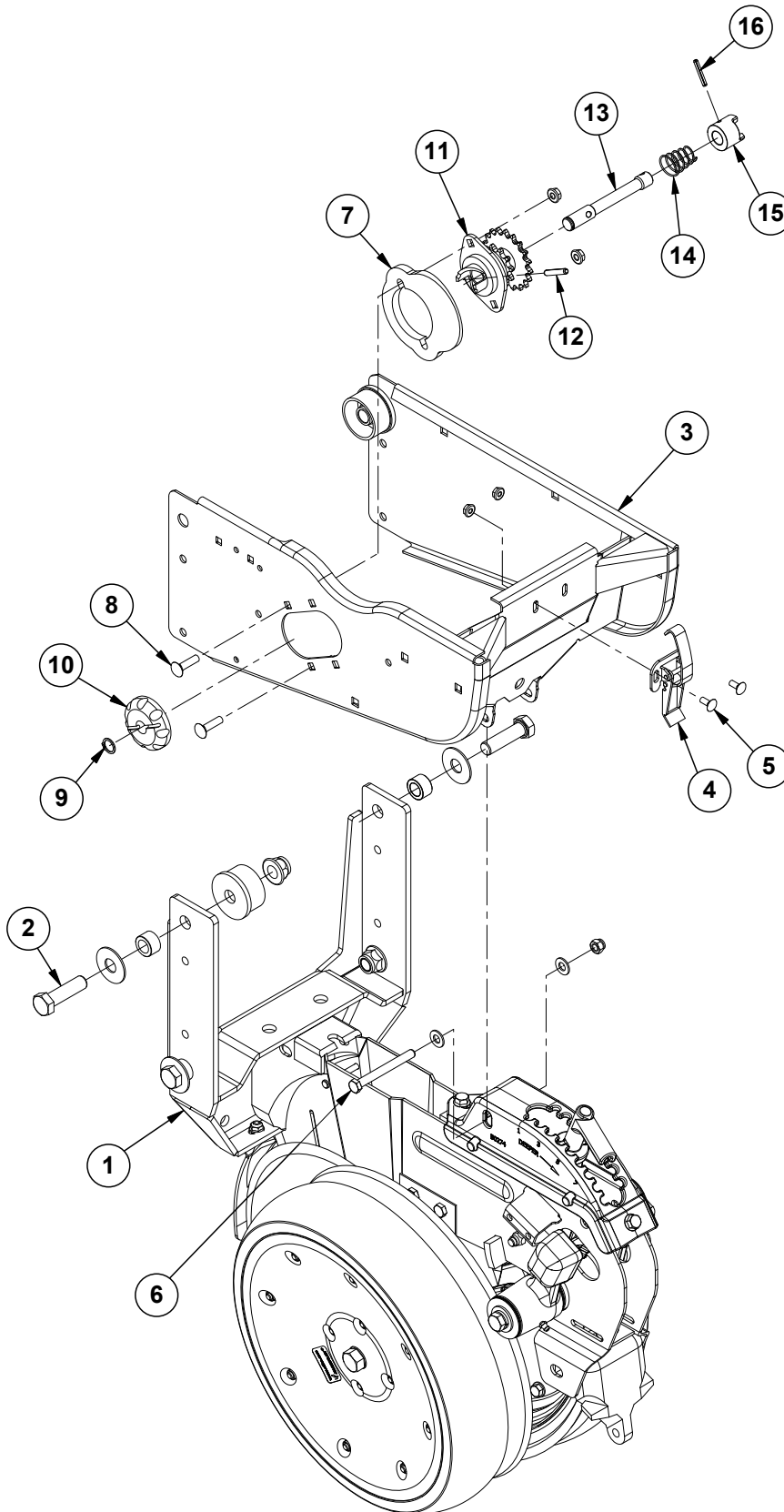
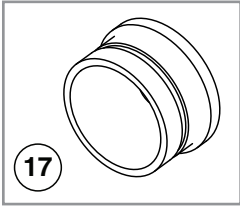


Spoked Gauge Wheel

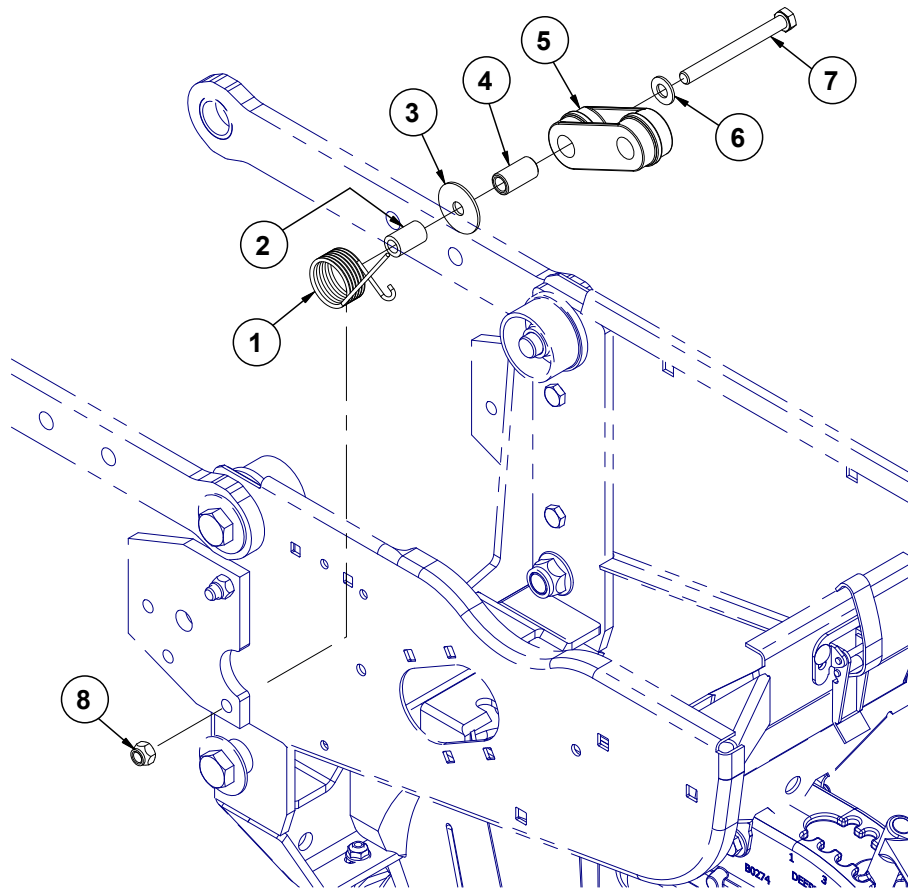
ITEM	PART NO.	QTY. (Per Row)	DESCRIPTION
1	---	-	<a href="#">See "15" Seed Opener Disc Blade/Bearing Assembly and Scrapers" on page P9</a>
2	G10940	7	Machine Bushing, 1" (.048" Thick)
3	G10228	2	Lock Washer, 1/2"
4	G10014	2	Hex Head Cap Screw, 1/2"-13 x 1"
5	G10216	2	Washer, 1/2" USS
6	GA21677	1	Wheel Arm W/Grease Fitting, Bushings, and Seals, L.H. (Shown)
	GA21676	-	Wheel Arm W/Grease Fitting, Bushings, and Seals, R.H.
	GD10991	2	Seal (Per Arm) (Included W/GA21677 and GA21676)
	GB0276	2	Bushing, 1" I.D. x 1 1/4" O.D. x 1" Long (Per Arm) (Included W/GA21677 and GA21676)
7	G10204	1	Special Machine Bushing, 5/8" x 1" O.D.
8	G10031	8	Carriage Bolt, 5/16"-18 x 1 3/4"
	G11386	8	Flat Washer, 5/16" SAE
9	G10028701	1	Half Gauge Wheel
	G10019	4	Hex Head Cap Screw, 5/16"-18 x 1"
	G11386	4	Flat Washer, 5/16" SAE
10	GD36713	2	Gauge Wheel Dust Shield
11	GA6171	1	Bearing
12	GD36709	1	Half Gauge Wheel
13	G10109	12	Lock Nut, 5/16"-18
	G11386	12	Flat Washer, 5/16" SAE
14	G10230	1	Lock Washer, 5/8"
15	G10010	1	Hex Head Cap Screw, 5/8"-11 x 3"
16	G10028601	1	Tire, 4 1/2" x 16
17	G10335001	6	Flanged Lock Nut, M8
18	G10334701	1	Hub
19	G10334901	1	Wheel Flange
20	G10335101	6	Screw, M8 x 30
21	G11386	6	Flat Washer, 5/16"
22	G10335201	1	Elastic Ring
23	G10334801	1	Wheel Flange
A	G10028801	-	Standard Gauge Wheel Complete (Items 8-13 and 16)
B	G10322501	-	Spoked Gauge Wheel Complete (Items 10-11 and 16-23)
C	G1K296	-	Gauge Wheel Arm Bushing and Seal Driver Kit, Includes: (1) Seal Driver, (1) Bushing Driver, (1) Instruction Sheet



ITEM	PART NO.	QTY. (Per Row)	DESCRIPTION
1	GB0268	1	Wheel Arm Mount
2	G11387	1	Flat Washer, 3/8" SAE
3	G10001	1	Hex Head Cap Screw, 3/8"-16 x 1"
4	GA15197	1	Closing Wheel Arm
5	GB0254	1	Lever
6	G10109	1	Lock Nut, 5/16"-18, Grade 8
7	G10133	1	Hex Head Cap Screw, 5/16"-18 x 1 1/2"
8	GD8460	1	Spring
9	G10111	2	Lock Nut, 1/2"-13
10	G11419	2	Carriage Bolt, 1/2"-13 x 2 1/4"
11	GB0239	2	Eccentric Bushing
12	GB0282	2	Stepped Bushing
13	G10064	6	Hex Head Cap Screw, 1/4"-20 x 1"
14	GA6171	1	Bearing
15	GD9120	2	Nylon Half Wheel
16	GD1085	1	Rubber Tire, 1" x 12"
17	G10013	2	Hex Head Cap Screw, 5/8"-11 x 3 1/2"
18	G10230	2	Lock Washer, 5/8"
19	GD1109	2	Bushing, 4 1/4" I.D. x 7/8" O.D. x 1/4" Long
20	G11391	2	Flat Washer, 5/8" SAE
21	G10107	2	Lock Nut, 5/8"-11
22	GA6171	1	Bearing
23	G11862	1	Internal Retaining Ring
24	GD36895	1	Spiked Closing Wheel
25	GA6597	1	Cast Iron Closing Wheel W/Bearing
	GA6171	1	Bearing
26	G1K345	-	Closing Wheel Shield Kit W/Hardware and Instruction Sheet
	GD26146	1	Closing Wheel Shield (Included W/G1K345)
	G10599	1	Carriage Bolt, 3/8"-16 x 1 1/4" (Included W/G1K345)
	G10308	2	Carriage Bolt, 3/8"-16 x 3/4" (Included W/G1K345)
	G10101	3	Hex Nut, 3/8"-16 (Included W/G1K345)
	G10229	3	Lock Washer, 3/8" (Included W/G1K345)
	G11387	1	Hardened Washer, 3/8" SAE (Included W/G1K345)
A	GA6434	-	Rubber Closing Wheel Complete W/Bearing (Items 13-16)
B	GA26958	-	Spiked Closing Wheel (Items 22-24)

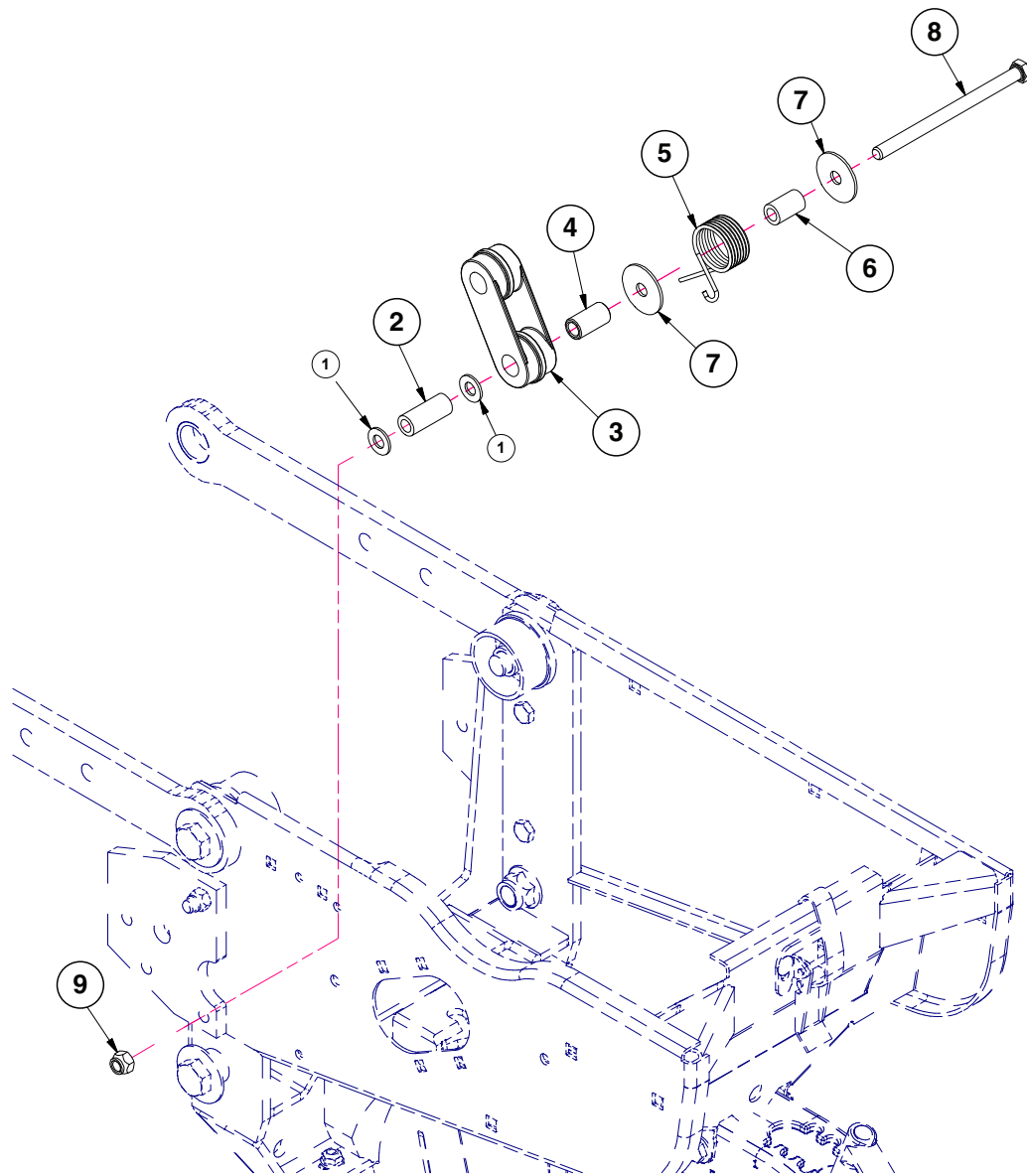


ITEM	PART NO.	QTY. (Per Row)	DESCRIPTION
1	---	1	<a href="#">See "15" Seed Opener Disc Blade/Bearing Assembly and Scrapers" on page P9</a>
2	G10752	2	Hex Head Cap Screw, 5/8"-18 x 2 1/4"
3	G10329801	1	Hopper Support
4	GA2007	1	Hopper Hold Down Latch
5	G10309	2	Carriage Bolt, 1/4"-20 x 5/8", Grade 2
	G10621	2	Serrated Flange Nut, 1/4"-20
6	G10061	1	Hex Head Cap Screw, 3/8"-16 x 3 1/2"
	G11387	2	Flat Washer, 3/8" SAE
	G10108	1	Lock Nut, 3/8"-16
7	GB0331	1	Clutch Adapter Plate
8	G10338	2	Carriage Bolt, 5/16"-18 x 1 1/4"
	G10620	2	Serrated Flange Nut, 5/16"-18
9	G10567	1	External Retaining Ring, 5/8"
10	GD11239	1	Knob
11	GA12143	1	Double Sprocket and Bearing, Drive Clutch, 11/28 Tooth (Vacuum)
12	G10602	1	Spring Pin, 1/4" x 1 1/2"
13	GD29507	1	Clutch Shaft
14	GD11413	1	Spring
15	GB0278	1	Coupler
16	G10546	1	Spring Pin, 3/16" x 1 1/4"
17	GD17052	-	Vacuum Plug
A	GA20640	-	Seed Meter Clutch Assembly, 11/28 Tooth (Items 9-16) (Vacuum)



ITEM	PART NO.	QTY. (Per Row)	DESCRIPTION
1	GD1065	1	Idler Spring
2	GD7318	1	Sleeve, 1" Long
3	G10201	1	Special Washer, 3/8" x 1 1/2" O.D.
4	GD1026	1	Sleeve, 1 3/16" Long
5	GD11962	1	Idler
6	G11387	1	Flat Washer, 3/8" SAE
7	G10326	1	Hex Head Cap Screw, 3/8"-16 x 3 3/4"
8	G10108	1	Lock Nut, 3/8"-16

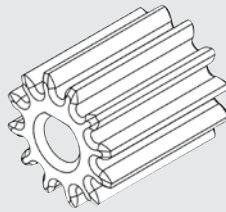




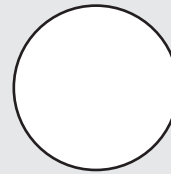
ITEM	PART NO.	QTY. (Per Row)	DESCRIPTION
1	G11387	2	Flat Washer, 3/8" SAE
2	GD23773	1	Chain Idler Spacer
3	GD11962	1	Idler
4	GD1026	1	Sleeve, 1 3/16" Long
5	GD1065	1	Idler Spring
6	GD7318	1	Sleeve, 1" Long
7	G10201	2	Special Washer, 3/8" x 1 1/2" O.D.
8	G10687	1	Hex Head Cap Screw, 3/8"-16 x 5 1/2"
9	G10108	1	Lock Nut, 3/8"-16



1



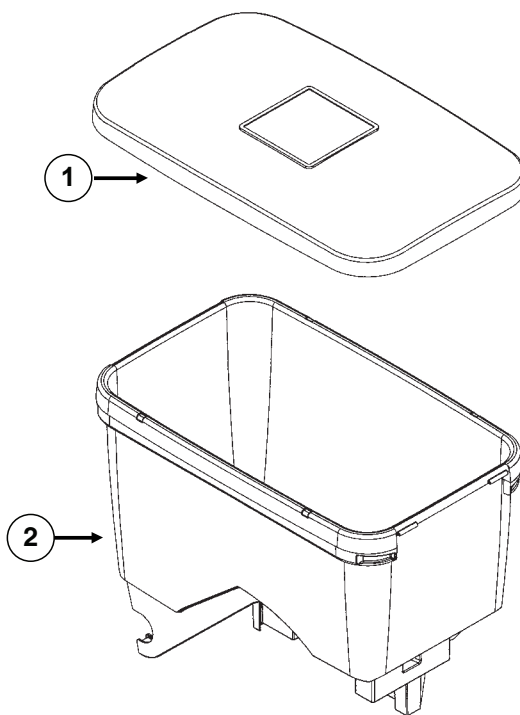
2



3

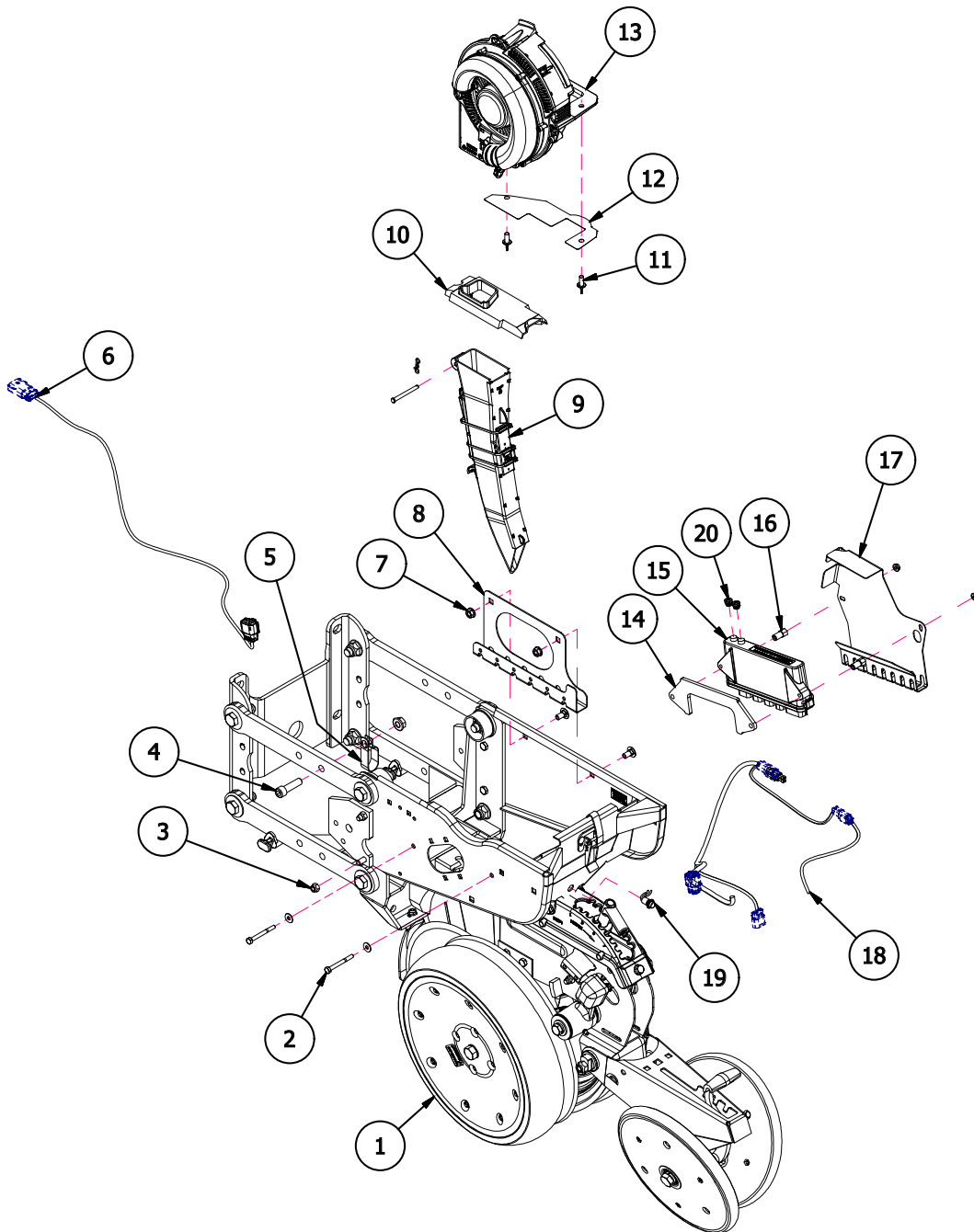
ITEM	PART NO.	QTY.	DESCRIPTION
1	G1K728	-	Seed Meter Stepper Motor Pinion Press Kit, Includes: (1) 1/2 Ton Arbor Press W/ Anvil, (1) Ring Puller W/Set Screw, (1) Instruction Sheet
2	GB1190	-	Pinion Motor Gear
3	G7100-614	-	Shaft Seal

(METR12)

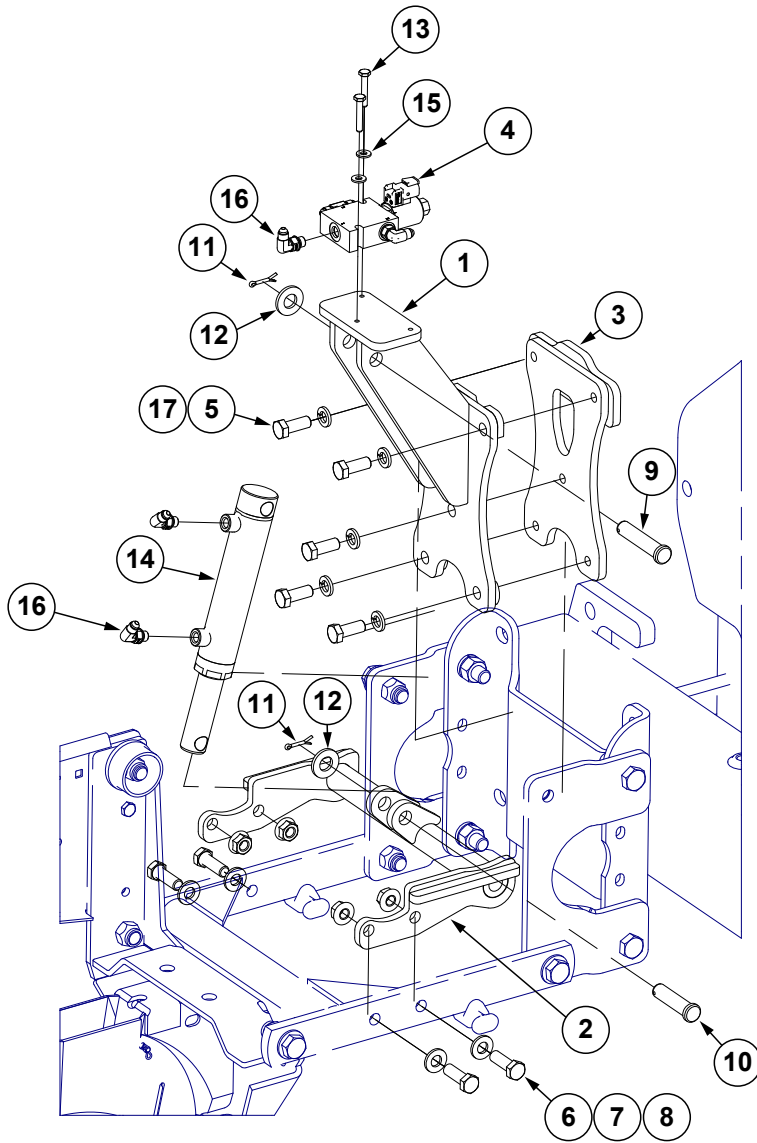


ITEM	PART NO.	QTY.	DESCRIPTION
1	GD11279	1	Lid
2	GA24873	1	Seed Hopper (Vacuum)

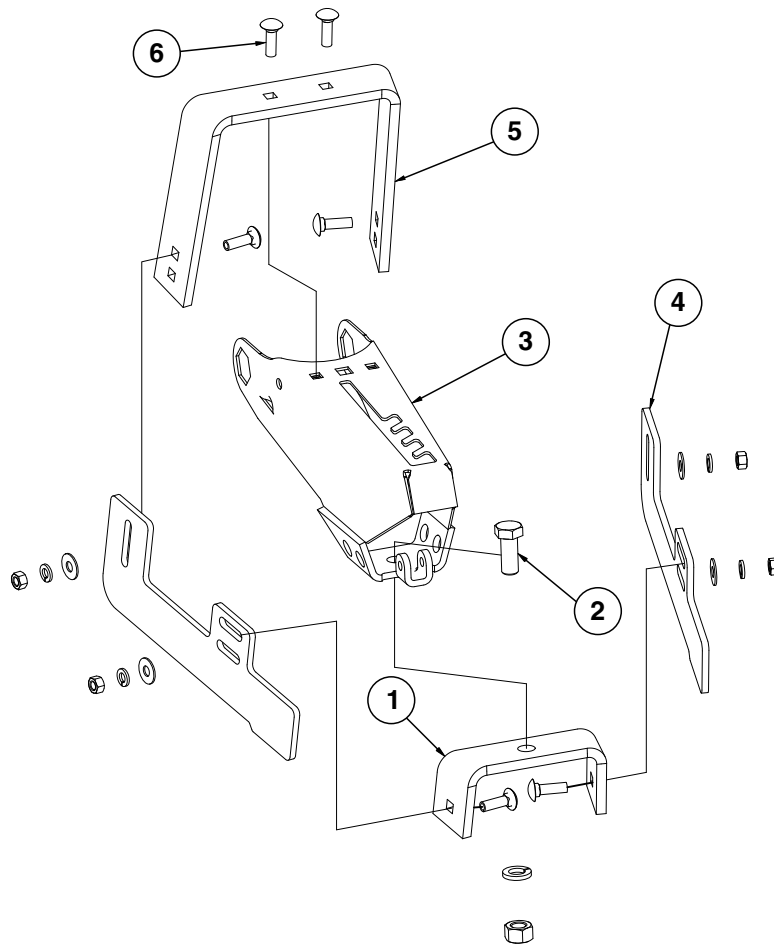
(IP1639)



ITEM	PART NO.	QTY. (Per Row)	DESCRIPTION
1	---	-	<a href="#">See "Parallel Arms, Mounting Support Plate, and Quick Adjustable Down Force Springs Option" on page P7</a>
2	G11958	2	Hex Head Cap Screw, 1/4"-20 x 2-1/2", Grade 5
	G10621	2	Serrated Flange Nut, 1/4"-20
	G10209	2	Washer, 1/4" USS
3	G10108	1	Lock Nut, 3/8"-16
	G10003	1	Hex Head Cap Screw, 3/8"-16 x 1 1/2"
4	G10116601	1	Hex Socket Head Cap Screw, 1/2"-13 x 1-3/4"
	G10071	1	Serrated Flange Nut, 1/2"-13
5	GD36388	1	1" Double Tube Clamp, 1/2" Bolt
6	GA25029	1	Row Unit Power Extension Harness
7	G10622	2	Serrated Flange Nut, 3/8"-16
	G10308	2	Carriage Bolt, 3/8"-16 x 3/4"
8	GD35058	1	Row Unit Meter Wire Tray
9	GA20914	1	Seed Tube Sensor
10	GB0926	1	Shank Cover
11	G11009	2	Locking Thumbscrew, 5/16"-18 x 3/4"
12	GD29413	1	Hopper Shim <b>(Not used with conventional hoppers)</b>
13	---	-	<a href="#">See "Vacuum Seed Meter" on page P29</a>
14	GD35629	1	IPN Row Unit Plate
15	GA25949	1	IPN Module Assembly
16	GD35609	2	Hex Standoff
17	G10146001	1	IPN Wire Shield
18	GA25038	1	Row Unit Seed Meter Harness
19	GA15485	1	Switch
20	GD30726	2	Socket Dust Cover, M12



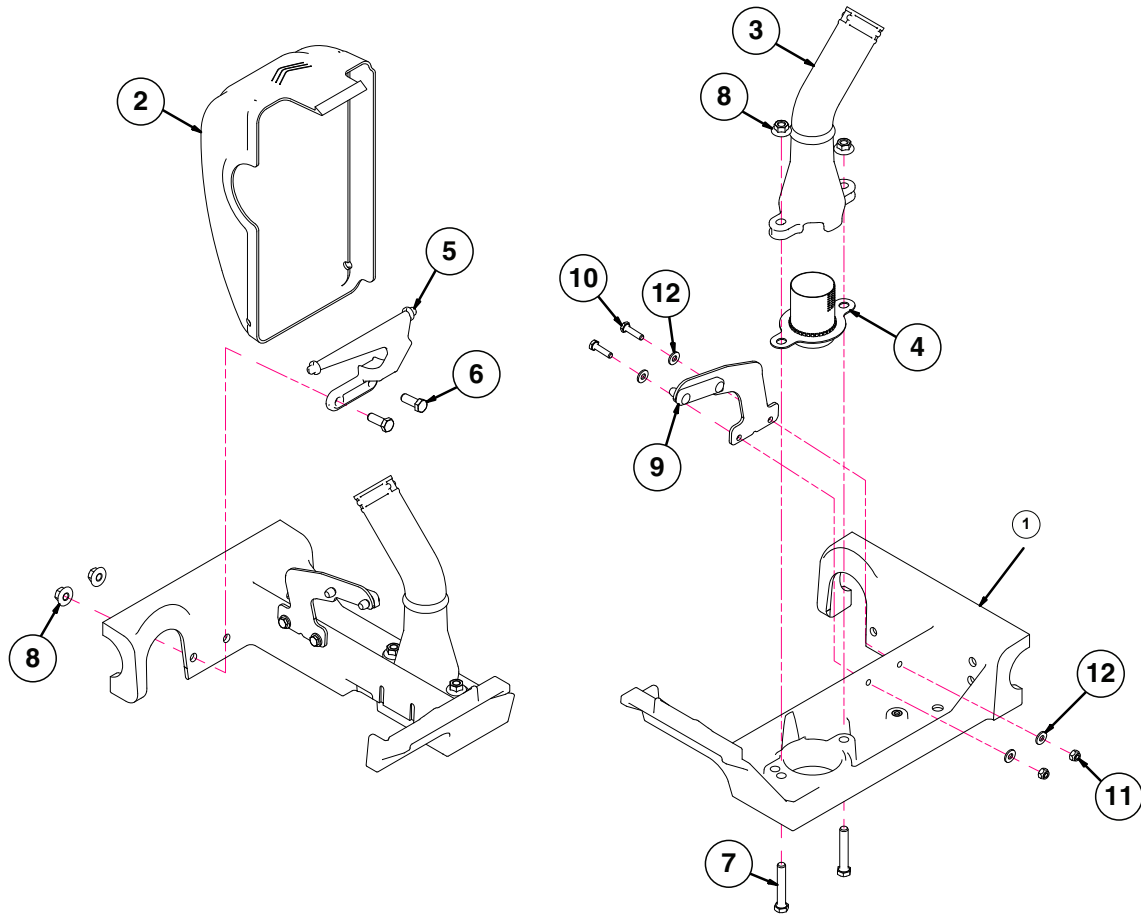
ITEM	PART NO.	QTY. (per row)	DESCRIPTION
1	GA25258	1	Upper Mounting Bracket
2	GA25257	1	Lower Mounting Bracket
3	GA25401	1	Back Mount
4	---	1	<a href="#">See "Row Unit Control Blocks" on page P204</a>
5	G10017	5	Hex Head Cap Screw, 1/2"-13 x 1 1/2"
6	G10017	4	Hex Head Cap Screw, 1/2"-13 x 1 1/2"
7	G11389	4	Flat Washer, 1/2" Plated SAE
8	G10071	4	Serrated Flange Nut, 1/2"-13
9	G11875	1	Clevis Pin, 5/8" x 3"
10	G10564	1	Clevis Pin, 5/8" x 2 1/2"
11	G10451	2	Cotter Pin, 1/8" x 1"
12	G11391	2	Flat Washer, 5/8" SAE
13	GD35459	2	Hex Head Cap Screw, 1/4"-20 x 1 1/2", Grade 5 (W/Blue Loctite)
14	GA25261	1	<a href="#">See "Hydraulic Down Force Cylinder" on page P178</a>
15	G11385	2	Flat Washer, 1/4" SAE
16	G6801-04-04	3	90° Elbow, 7/16"-20
17	G10228	5	Lock Washer, 1/2"



ITEM	PART NO.	QTY. (Per Row)	DESCRIPTION
1	GD11509	1	Rear Bracket
2	G10007	1	Hex Head Cap Screw, 5/8"-11 x 1 1/2"
	G10230	1	Lock Washer, 5/8"
	G10104	1	Hex Nut, 5/8"-11
3	GA15197	1	Arm
4	GD11313	2	Blade
5	GD11508	1	Front Bracket
6	G10599	6	Carriage Bolt, 3/8"-16 x 1 1/4"
	G10229	6	Lock Washer, 3/8"
	G11387	6	Flat Washer, 3/8" SAE
	G10101	6	Hex Nut, 3/8"-16
A	G7566X	-	Drag Closing Attachment Complete (Items 1-6)

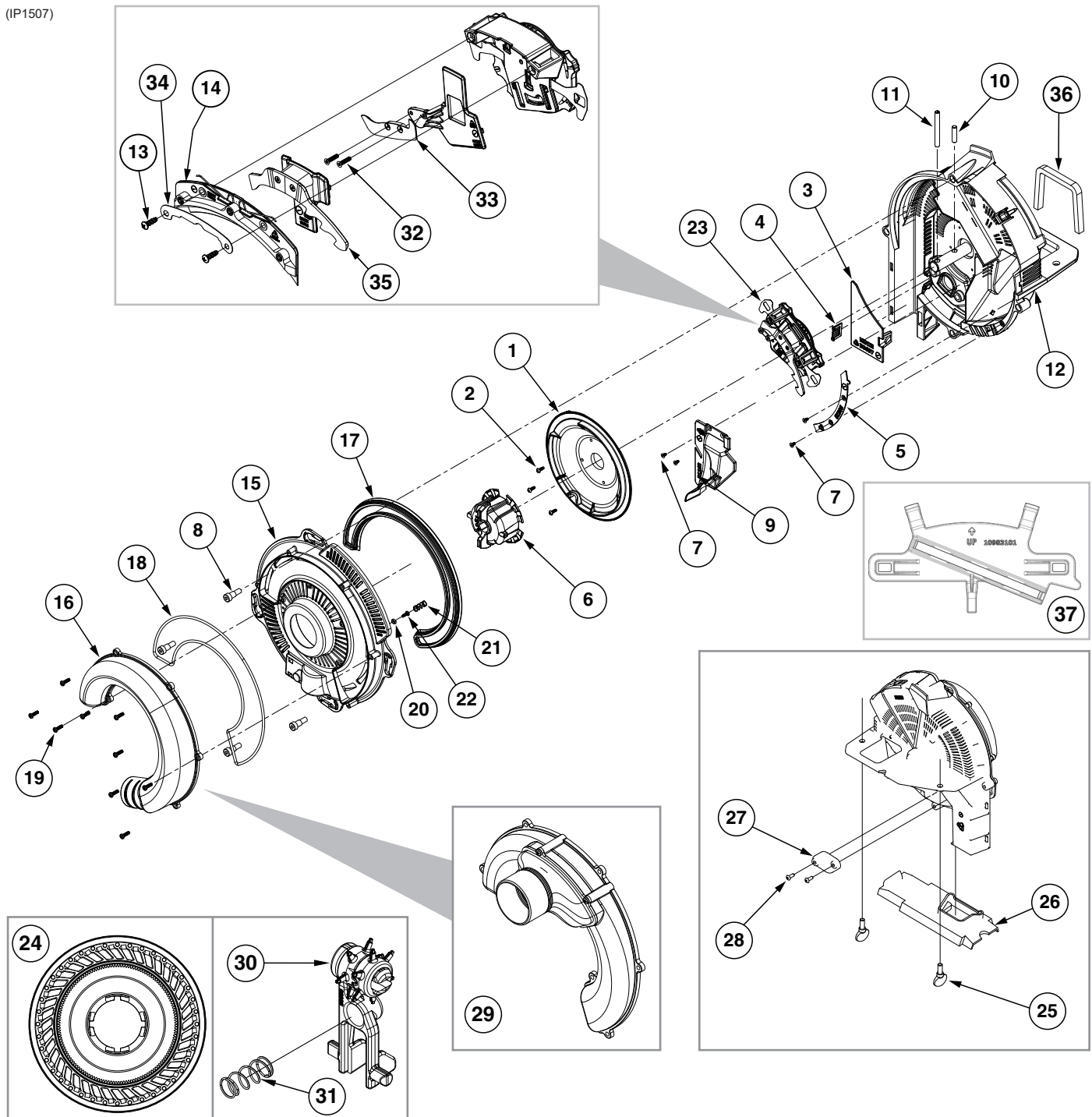


(A25305)



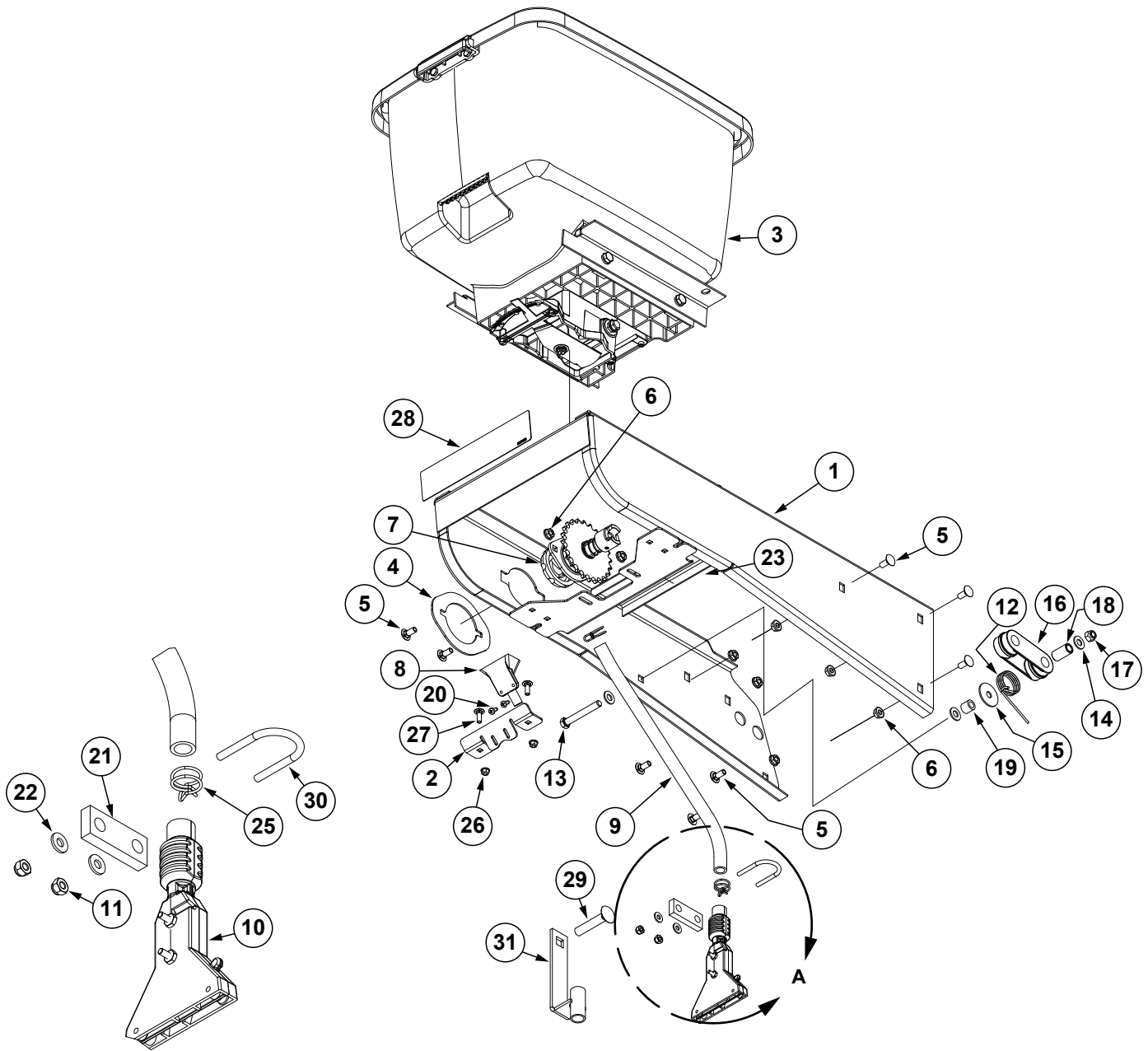
ITEM	PART NO.	QTY. (Per Row)	DESCRIPTION
1	GA25304	1	Meter Mount Assembly W/Inserts
2	GB0428	1	EV Meter Cover
3	GB0455	1	Bulk Fill Air Dissipator
4	GB0901	1	Air Dissipator Screen
5	GB0717	1	EV Meter Cover Hinge
6	G10001	2	Hex Head Cap Screw, 3/8"-16 x 1"
7	G10939	2	Hex Head Cap Screw, 3/8"-16 x 2 1/4"
8	G11091	4	Serrated Flange Nut, 3/8"-16
9	GA21309	1	Meter Support
10	G10064	2	Hex Head Cap Screw, 1/4"-20 x 1"
11	G10110	2	Lock Nut, 1/4"-20, Grade B
12	G11385	4	Flat Washer, 1/4" SAE

(IP1507)

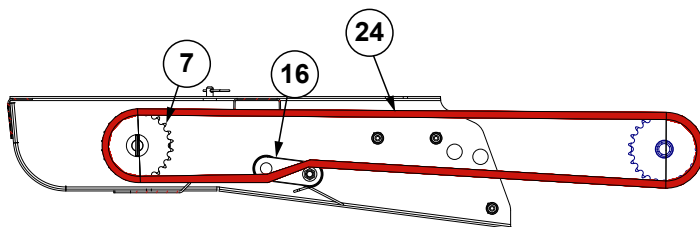


ITEM	PART NO.	QTY.	DESCRIPTION
1	GB0815	1	Shield
2	G11619	3	Phillips Pan Head Tapping Screw, No. 6-19 x 3/8"
3	GB0697	1	Chute Cover
4	GB0780	1	Brush
5	GB0823	1	Baffle
6	GB1147	1	Disc Hub
7	G11618	4	Torx Flat Head Tapping Screw, No. 6-19 x 1/4"
8	G11172	4	Hex Socket Head Shoulder Screw, 1/4"-20 x 3/8", Stainless Steel

ITEM	PART NO.	QTY.	DESCRIPTION
9	GA24878	1	Brush Assembly
10	G11448	1	Pin, 1/4" x 1"
11	G10475	1	Spring Pin, 1/4" x 2 1/4"
12	GA24877	1	Meter Housing W/Bearing
13	G11578	2	Phillips Pan Head Tapping Screw, No. 8-18 x 1/2"
14	GA24676	1	Singulator Guide Assembly
15	GB0920	1	Cover
16	GB0818	1	Vacuum Port, Pull Row Unit
17	GB0676	1	Lip Seal
18	GD26593	1	Gasket Housing
19	G11556	9	Phillips Pan Head Tapping Screw, 6-19 x 1/2"
20	GB0907	1	Retainer Spring
21	G10483101	1	Compression Spring
22	G11619	1	Phillips Pan Head Tapping Screw, No. 6-19 x 3/8"
23	GA24752	1	Singulator Assembly (Includes Items 13 and 14)
24	G11152X	-	Seed Disc, Corn, 40 Cell, Light Blue Color-Coded, Ejector Wheel, and Spring
	G11046X	-	Seed Disc, Rapeseed, 83 Cell, Ejector Wheel, and Spring
	G11042X	-	Seed Disc, Wheat, 54 Cell, Ejector Wheel, and Spring
	G11332X	-	Seed Disc, Wheat, 231 Cell, Red Color-Coded, Ejector Wheel, and Spring
	G11047X	-	Seed Disc, Soybean, 120 Cell, Black Color-Coded, Ejector Wheel, and Spring
	G11048X	-	Seed Disc, Soybean, 60 Cell, Black Color-Coded, Ejector Wheel, and Spring
	G11154X	-	Seed Disc, Sugar Beets/Milo, Dark Orange Color-Coded, Ejector Wheel, and Spring
	G11153X	-	Seed Disc, Sunflower, 40 Cell, Gray Color-Coded, Ejector Wheel, and Spring
	G11105X	-	Seed Disc, Cotton, 60 Cell, Green Color-Coded, Ejector Wheel, and Spring
	G11106X	-	Seed Disc, Black Turtle and Navy Edible Bean and Popcorn, 60 Cell, Brown Color-Coded, Ejector Wheel, and Spring
	G11107X	-	Seed Disc, Pinto and Great Northern Edible Beans and Low-Rate Soybean, 60 Cell, Dark Blue Color Coded, Ejector Wheel, and Spring
25	G11009	2	Locking Thumbscrew, 5/16"-18 x 3/4"
26	GB0926	1	Shank Cover
27	GD28631	1	Cover Plate
28	G11281	2	Hex Button Head Cap Screw, 10-24 x 1/2"
29	GA20111	1	Vacuum Port, Push Row Unit
30	G10665101	-	Ejector Arm, Corn
	G10483401	-	Ejector Arm, Soybean (120 Cell)
	G10483201	-	Ejector Arm, Soybean (60 Cell)
	G10665001	-	Ejector Arm, Sunflower
	G10664901	-	Ejector Arm, Beets/Milo
	G10614301	-	Ejector Arm, Black Turtle, Navy, Pinto, and Great Northern Edible Bean, Popcorn, and Low-Rate Soybean, Cotton
	GA25550	-	Ejector Arm, Rapeseed
	GA26989	-	Ejector Arm, Wheat (54 Cell)
	G10936101	-	Ejector Arm, Wheat (231 Cell)
31	G10483101	-	Compression Spring
32	G11693	2	Torx Flat Head Machine Screw, No. 4-40 x 1/2"
33	GB0921	1	Lower Blade
34	GD29657	1	Retainer
35	GB0958	1	Outer Blade
36	GD34774	1	Meter Gasket
37	G10983301	1	Wheat Brush Singulator
	G10983101	1	Wheat Brush Mount (Included W/G10983301)
	G10983201	1	Brush (Included W/G10983301)
A	G9903X	-	Vacuum Meter Assembly, Pull Row Unit (Excludes Items 24 and 29-31)
B	G9897X	-	Vacuum Meter Assembly, Push Row Unit (Excludes Items 16, 24, and 30-31)
C	GA20622	-	Cover Assembly (Items 15-22)



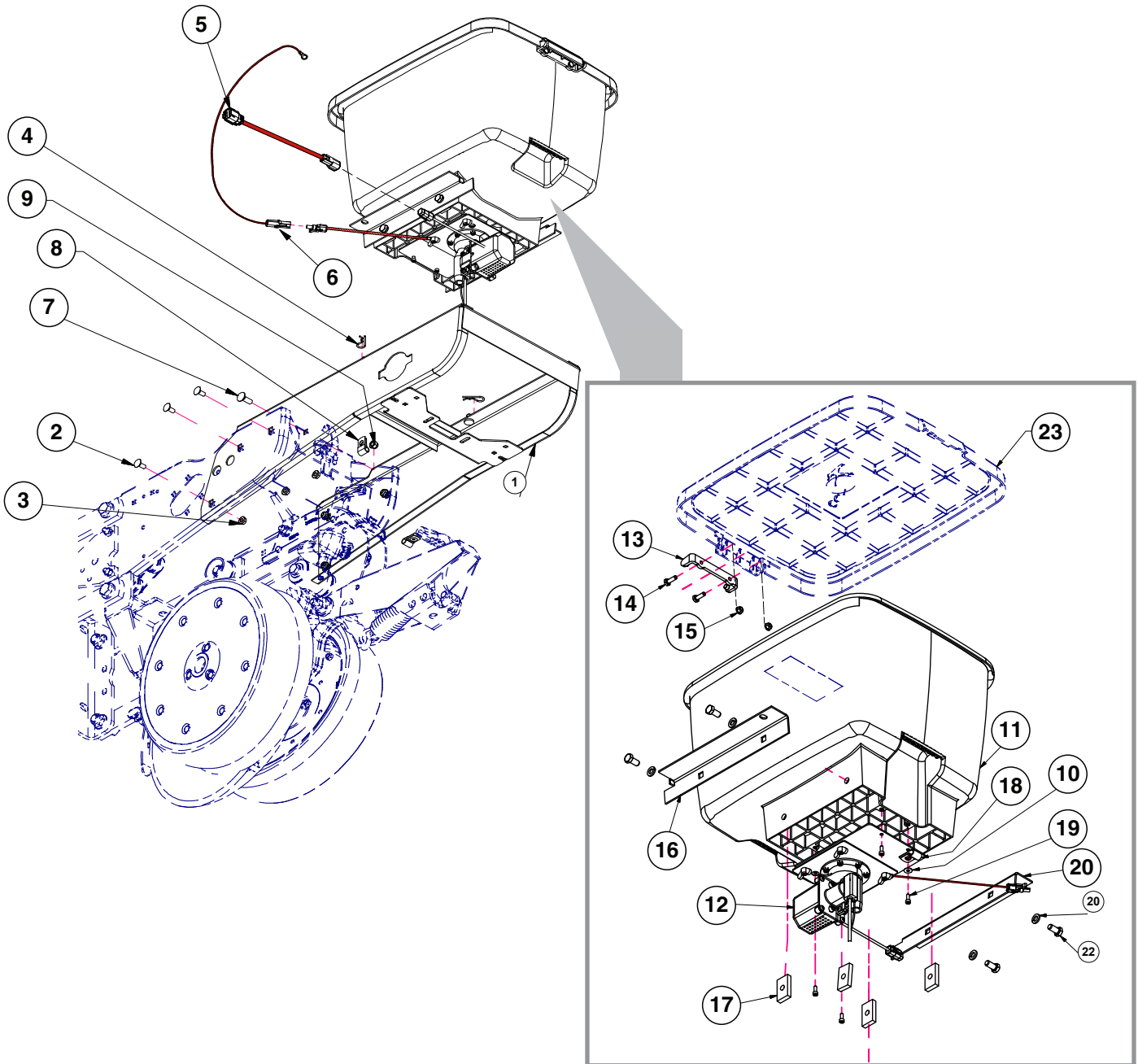
Detail A



Chain Routing

ITEM	PART NO.	QTY. (Per Row)	DESCRIPTION
1	A26287	1	Hopper Panel Extension (Non-Stock Item)
2	GD36277	1	Funnel Bracket
3	---	-	<a href="#">See "Granular Chemical Hopper and Hopper Panel Extension" on page P38</a>
4	GD11305	1	Plate
5	G10312	8	Carriage Bolt, 5/16"-18 x 3/4"
6	G10620	8	Serrated Flange Nut, 5/16"-18
7	---	1	<a href="#">See "Granular Chemical Meter and Meter Drive" on page P37</a>
8	GD2423	1	Funnel
9	GD2947	1	Hose, 7/16" x 28"
10	GA6907	1	Slope-Compensating Bander W/Hardware (4 1/2" Band Width)
	G10864	1	Uni-Clamp (Included W/GA6907)
	G10757	2	Pan Head Screw, No. 10-32 x 1 1/4" (Included W/GA6907)
	G10758	2	Hex Nut, No. 10-32 (Included W/GA6907)
11	G10110	2	Lock Nut, 1/4"-20, Grade B
12	GD11219	1	Spring
13	G10325	1	Hex Head Cap Screw, 3/8"-16 x 2 3/4"
14	G11387	3	Flat Washer, 3/8" SAE
15	G10201	1	Special Washer, 3/8" x 1 1/2" O.D.
16	GD11962	1	Idler
17	G10108	1	Lock Nut, 3/8"-16
18	GD1026	1	Sleeve, 1 3/16" Long
19	GD2971-10	1	Sleeve, 9/16" Long
20	G10966	2	Phillips Head Self-Tapping Screw, No. 10 x 1/2"
21	GD10984	1	Spacer
22	G11385	2	Flat Washer, 1/4" SAE
23	G10670	2	Hair Pin Clip, No. 3
24	G3303-108	1	Chain, No. 41, 108 Pitch Including Connector Link (Vacuum)
	GR0196	-	Connector Link, No. 41
25	G11209	2	Wire Hose Clamp, 3/4"
26	G10621	2	Serrated Flange Nut, 1/4"-20
27	G10310	2	Carriage Bolt, 1/4"-20 x 3/4", Grade 2
28	---	-	<a href="#">See "Decals, Paint, and Miscellaneous" on page P344</a>
29	G10315	1	Carriage Bolt, 1/2"-13 x 2 1/2" (Replaces Existing 1/2" x 2 1/4" Hardware)
30	GD10963	1	U-Bolt, 1 1/2" x 1 5/16" x 1/4"-20
31	GA6741	1	Bracket (Straight Drop In-Furrow)

(A26335/A27180)

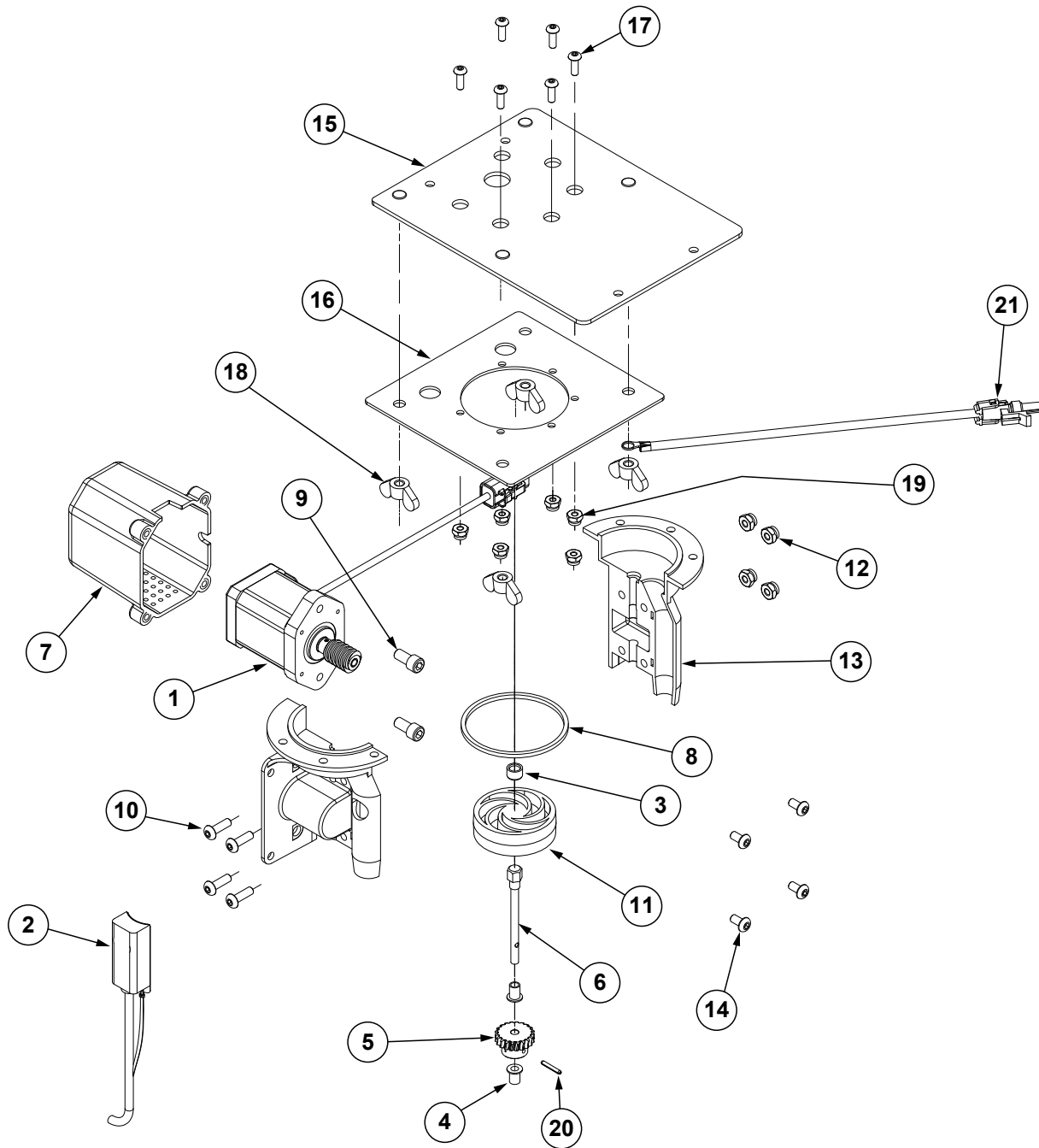


**Granular Chemical Hopper and Hopper Panel Extension  
(Blue Drive)**

M0312-02

Model 3605

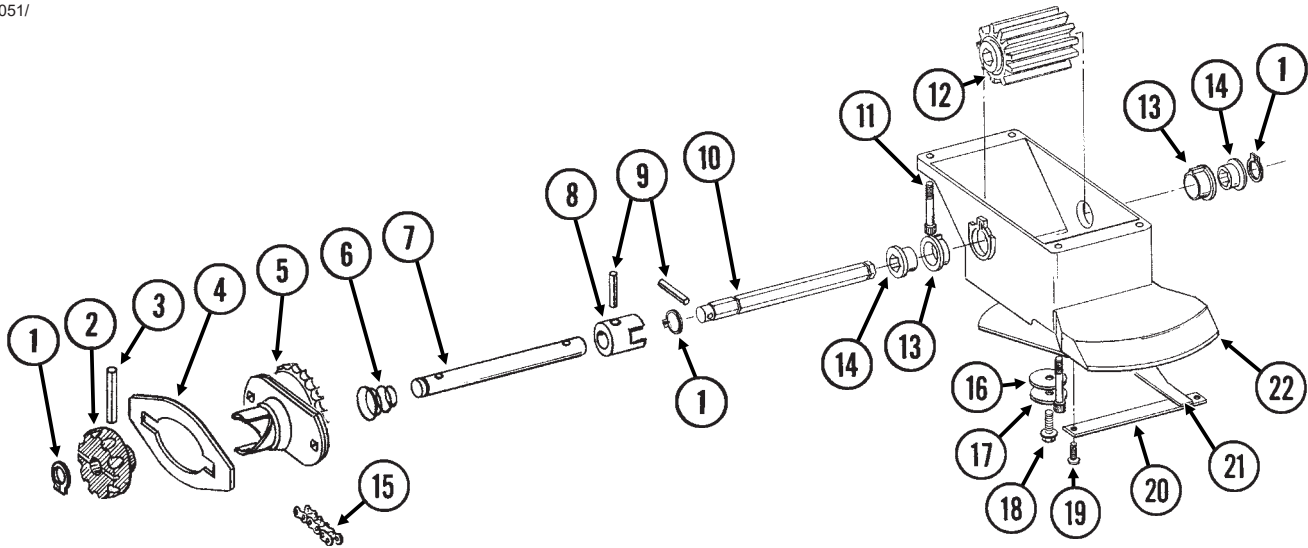
ITEM	PART NO.	QTY. (Per Row)	DESCRIPTION
1	GA26287	1	Chemical Hopper Support
2	G10312	6	Carriage Bolt, 5/16"-18 x 3/4"
3	G10620	6	Serrated Flange Nut, 5/16"-18
4	G10670	2	Hair Pin Clip, No. 3
5	GA22522	1	Insecticide Harness
6	GA20712	1	Row Unit ESD Drain Harness
7	G10305	1	Hex Head Cap Screw, 3/8"-16 x 1"
8	GD6291	1	Insulated Clamp, 3/8"
9	G10108	1	Lock Nut, 3/8"-16
10	G10243	1	Washer, No. 10 SAE
11	GA8371	1	Chemical Hopper Assembly
12	GA26331	1	Insecticide Meter Assembly
13	GD1060	1	Hinge Bracket
14	G10023	2	Hex Head Cap Screw, 1/4"-20 x 3/4"
15	G10621	2	Serrated Flange Nut, 1/4"-20
16	GD1059R	1	Support
17	GD11424	4	Block
18	GD6291	1	Insulated Clamp, 3/8"
19	G11998	4	Hex Head Cap Screw, 10-24 x 1/2", Self-Locking, Yellow Loctite
20	GD1059L	1	Support
21	G10229	4	Lock Washer, 3/8"
22	G10002	4	Hex Head Cap Screw, 3/8"-16 x 3/4"
23	GA4444	-	Insecticide Lid, English



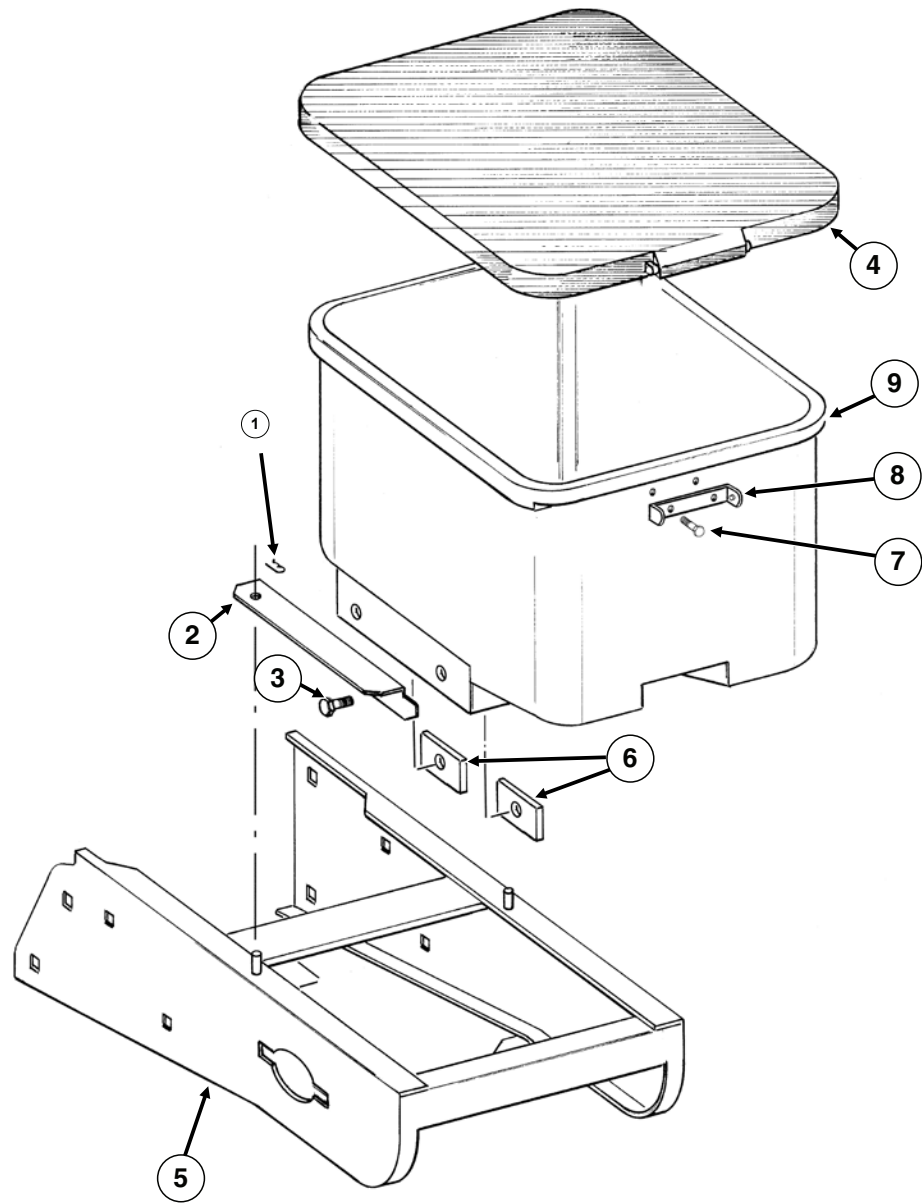


ITEM	PART NO.	QTY. (Per Row)	DESCRIPTION
1	GA15473	1	Step Motor, 3.5 AMP
2	GA24364	1	Flow Sensor
3	GD22695	1	Bearing Sleeve, 3/8" O.D. x 1/4" I.D. x 1/4"
4	GD22696	2	Flange Bearing, 1/4" O.D. x 3/16" I.D. x 3/8"
5	GD29492	1	Gear
6	GD29491	1	Drive Shaft
7	GB0577	1	Motor Cover
8	GD28515	1	O-Ring
9	G10260	2	Hex Socket Head Cap Screw, 1/4"-20 x 1/2"
10	G11447	4	Hex Button Head Cap Screw, #10-24 x 5/8"
11	GB0579	1	Insecticide Impeller
12	G11445	4	Hex Locknut, #10-24
13	GA18195	1	Insecticide Housing
14	G10261	4	Hex Button Head Cap Screw, #10-32 x 3/8"
15	GA26330	1	Insecticide Mount
16	GD36333	1	Insecticide Motor Mount Plate
17	GR1292	6	Hex Socket Button Head Cap Screw, No. 8-32 x 1/2"
18	G10531	4	Wing Nut W/Nylon Insert, 1/4"-20
19	G11202	6	Lock Nut W/Nylon Insert, No. 8-32, Stainless Steel
20	G11687	1	Spring Slot Pin
21	GA20710	2	Granular Chemical Motor ESD Drain Harness

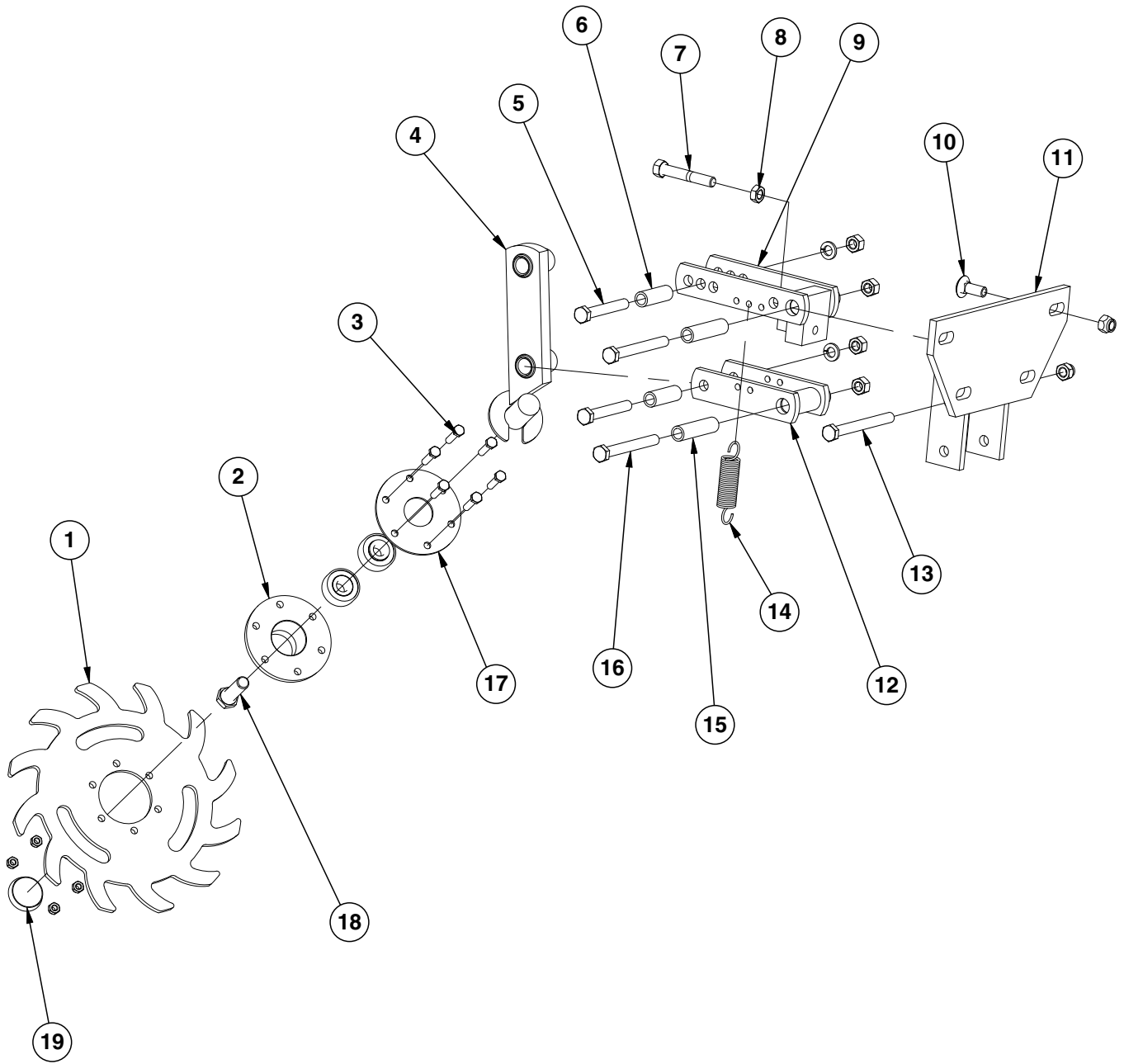
RUA051/



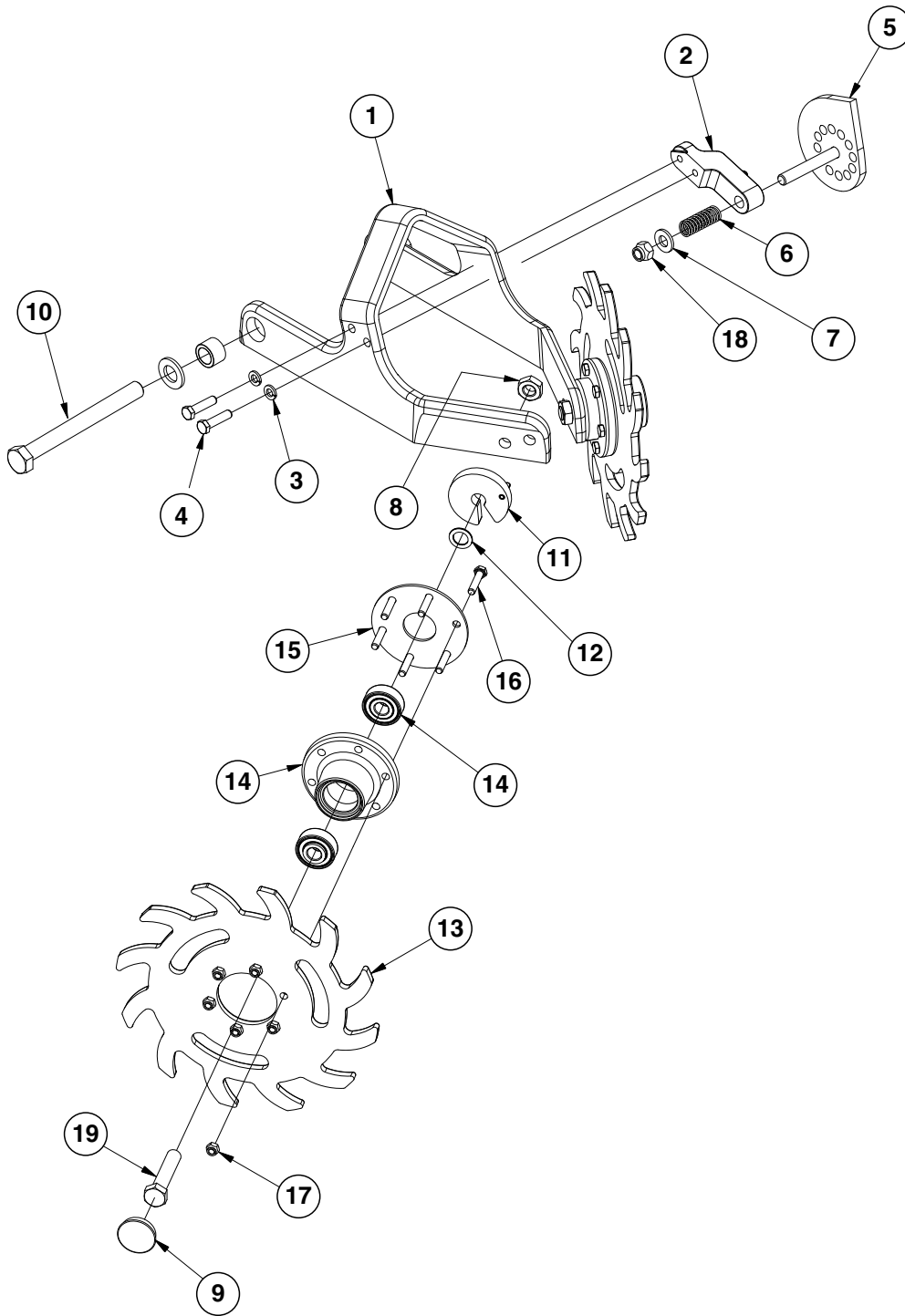
ITEM	PART NO.	QTY. (Per Row)	DESCRIPTION
1	G10567	3	External Retaining Ring, 5/8"
2	GD11239	1	Knob
3	G10602	1	Spring Pin, 1/4" x 1 1/2"
4	---	-	<a href="#">See "Granular Chemical Hopper and Hopper Panel Extension" on page P38</a>
5	GA8364	1	Sprocket And Bearing, Drive Clutch, 24 Tooth
6	GD11413	1	Spring
7	GD11240	1	Shaft
8	GB0278	1	Coupler
9	G10546	2	Spring Pin, 3/16" x 1 1/4"
10	GD11297	1	Shaft
11	G11793	4	Hex Socket Head Cap Screw, No. 10-24 x 7/8"
12	GD7148	1	Feed Roller, Hex Bore
13	GB0115	2	Bearing
14	GD7258	2	Hex Bushing
15	G3303-108	1	Chain, No. 41, 108 Pitch Including Connector Link (Vacuum)
	GR0196	-	Connector Link, No. 41
16	G10660	1	Wave Washer, 1/2"
17	G11385	1	Flat Washer, 1/4" SAE
18	G10570	1	Slotted Hex Self-Tapping Screw, 1/4"-20 x 3/4"
19	G11073	2	Slotted Hex Self-Tapping Screw, No. 10 x 3/8"
20	GD1061	1	Support Strap
21	GD1063	1	Metering Gate
22	GB0116	1	Granular Housing
A	GA8326	-	Granular Chemical Meter Complete (Items 1, 9, 10, 12-14, and 16-22)
B	GA8366	-	Granular Chemical Meter Clutch (Items 1-3 and 5-9)



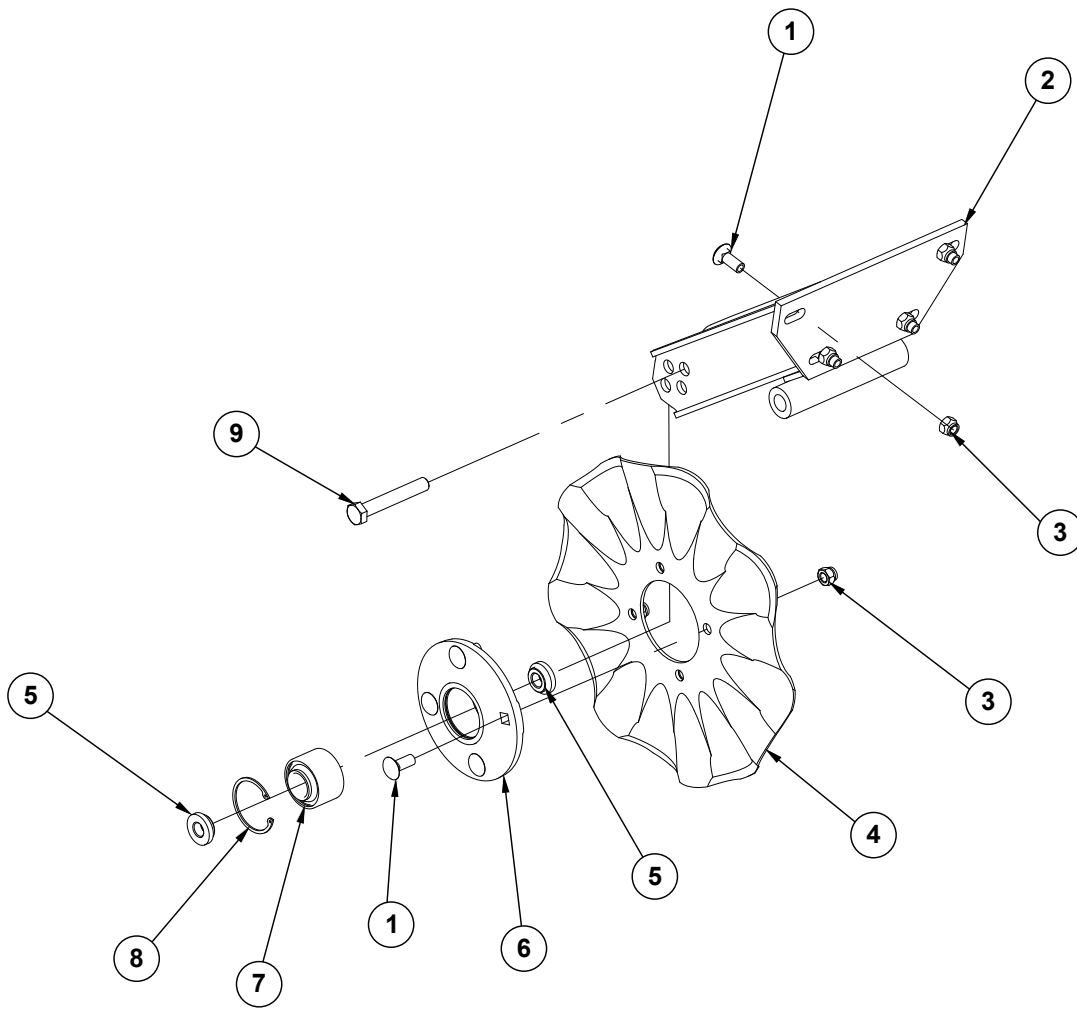
ITEM	PART NO.	QTY. (Per Row)	DESCRIPTION
1	G10670	2	Hair Pin Clip, No. 3
2	GD1059L	1	Support, L.H. (Shown)
	GD1059R	1	Support, R.H.
3	G10002	4	Hex Head Cap Screw, 3/8"-16 x 3/4"
	G10229	4	Lock Washer, 3/8"
4	GA4444	1	Lid
5	GA26287	1	Hopper Panel Extension <b>(Non-Stock Item)</b>
6	GD11424	4	Block
7	G10023	2	Hex Head Cap Screw, 1/4"-20 x 3/4"
	G10621	2	Serrated Flange Nut, 1/4"-20
8	GD1060	1	Hinge
9	GA8371	1	Hopper



ITEM	PART NO.	QTY. (Per Row)	DESCRIPTION
1	GB0387	1	Wheel, 12 Tine, 3/8" x 12"
2	GA5654 GA2014	1 -	Hub W/Bearings Bearing
3	G10133 G10109	6 6	Hex Head Cap Screw, 5/16"-18 x 1 1/2" Lock Nut, 5/16"-18, Grade 8
4	GA6838	1	Wheel Mount
5	G10033 G10228 G10102	2 2 2	Hex Head Cap Screw, 1/2"-13 x 3 1/2" Lock Washer, 1/2" Hex Nut, 1/2"-13
6	GD9720	2	Spacer, 1/2" x 2 3/16" Long
7	G10371	1	Hex Head Cap Screw, 1/2"-13 x 3", Full Thread
8	G10501	1	Hex Jam Nut, 1/2"-13, Grade 2
9	GA6833	1	Upper Link
10	G10574 G10111	4 4	Carriage Bolt, 1/2"-13 x 1 1/4" Lock Nut, 1/2"-13
11	GA6832	1	Mount
12	GA6834	1	Lower Link
13	G10348 G10111	1 1	Hex Head Cap Screw, 1/2"-13 x 5" (Lockup Bolt) Lock Nut, 1/2"-13
14	GD5857	2	Spring
15	GD9715	2	Spacer, 1/2" x 3" Long
16	G10045 G10228 G10102	2 2 2	Hex Head Cap Screw, 1/2"-13 x 4 1/2" Lock Washer, 1/2" Hex Nut, 1/2"-13
17	GD9724	1	Backing Plate
18	G10006	1	Hex Head Cap Screw, 5/8"-11 x 2 1/4"
19	GD1132	1	Dust Cap
A	GA12236	-	Wheel Assembly, 12 Tine, R.H. (Items 1-3 and 18)



ITEM	PART NO.	QTY. (Per Row)	DESCRIPTION
1	GB0464	1	Residue Wheel Mount
2	GD26973	1	Cam Locking Pin
3	G10229	2	Lock Washer, 3/8"
4	G10004	2	Hex Head Cap Screw, 3/8"-16 x 1 1/4"
5	GA27038	1	Row Cleaner Cam
6	GD10519	1	Spring
7	G11389	1	Flat Washer, 1/2" Plated SAE
8	G10503	2	Hex Jam Nut, 5/8"-11, Grade 2
9	GD1132	2	Dust Cap
10	G11236	1	Hex Head Cap Screw, 3/4"-10 x 10 1/2"
	G11392	2	Flat Washer, 3/4" SAE
	GB0383	2	Bushing, 1 1/8" O.D. x 25/32" I.D. x 3/4" Long
	G11228	1	Lock Nut, 3/4"-10
11	GA8760	2	Weed Guard W/Spring Pin
	G10765	-	Spring Pin, 1/4" x 1" (Included W/GA8760)
12	GD30725	4	Machine Bushing, 5/8" (.030" Thick)
13	GB0387	2	Wheel, 12 Tine, 3/8" x 12"
14	GA5654	2	Hub W/Bearings
	GA2014	-	Bearing (Included W/GA5654)
15	GD9724	2	Backing Plate
16	G10133	12	Hex Head Cap Screw, 5/16"-18 x 1 1/2"
17	G10109	12	Lock Nut, 5/16"-18, Grade 8
18	G10974	1	Lock Nut W/Nylon Insert, 1/2"-13
19	G10010	2	Hex Head Cap Screw, 5/8"-11 x 3"
A	GA12235	-	L.H. Residue Wheel (Items 13-17)
B	GA12236	-	R.H. Residue Wheel (Items 13-17)

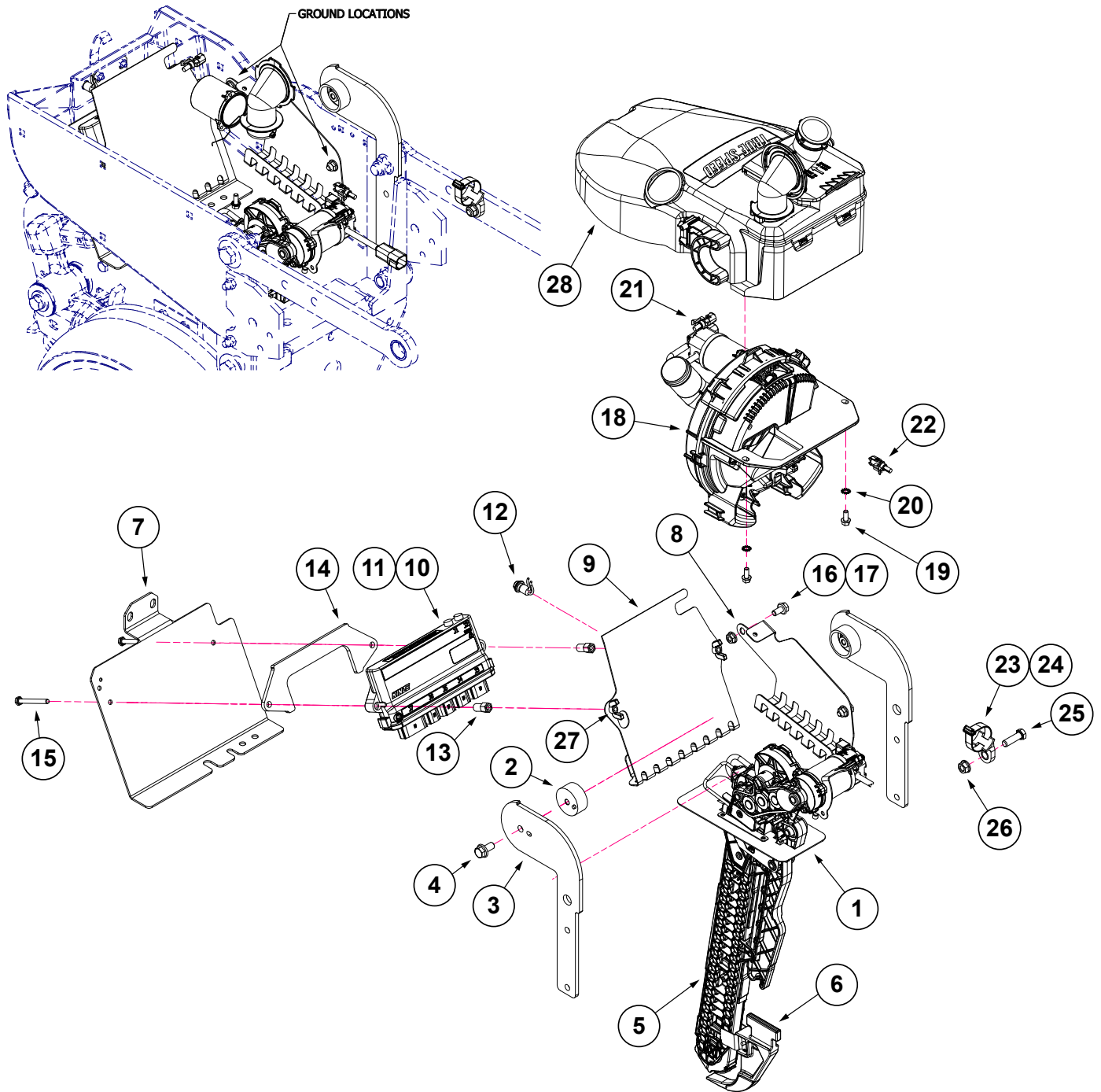


ITEM	PART NO.	QTY. (Per Row)	DESCRIPTION
1	G10574	8	Carriage Bolt, 1/2"-13 x 1 1/4"
2	GA24239	1	Arm
3	G10111	8	Lock Nut, 1/2"-13
4	GD7803	1	Disc Blade, Fluted, 1", 8 Flutes (Shown)
	GD7804	-	Disc Blade, Bubbled, 1"
	GD9254	-	Disc Blade, Fluted, 3/4", 13 Flutes
5	GD11677	2	Adapter
6	GA8641	1	Hub W/Bearing And Retaining Ring (Includes items 7 and 8)
7	GA8603	1	Bearing, Double Row
8	GD19292	1	Retaining Ring (Square), 27/16"
9	G10036	1	Hex Head Cap Screw, 5/8"-11 x 4"
	G10107	1	Lock Nut, 5/8"-11

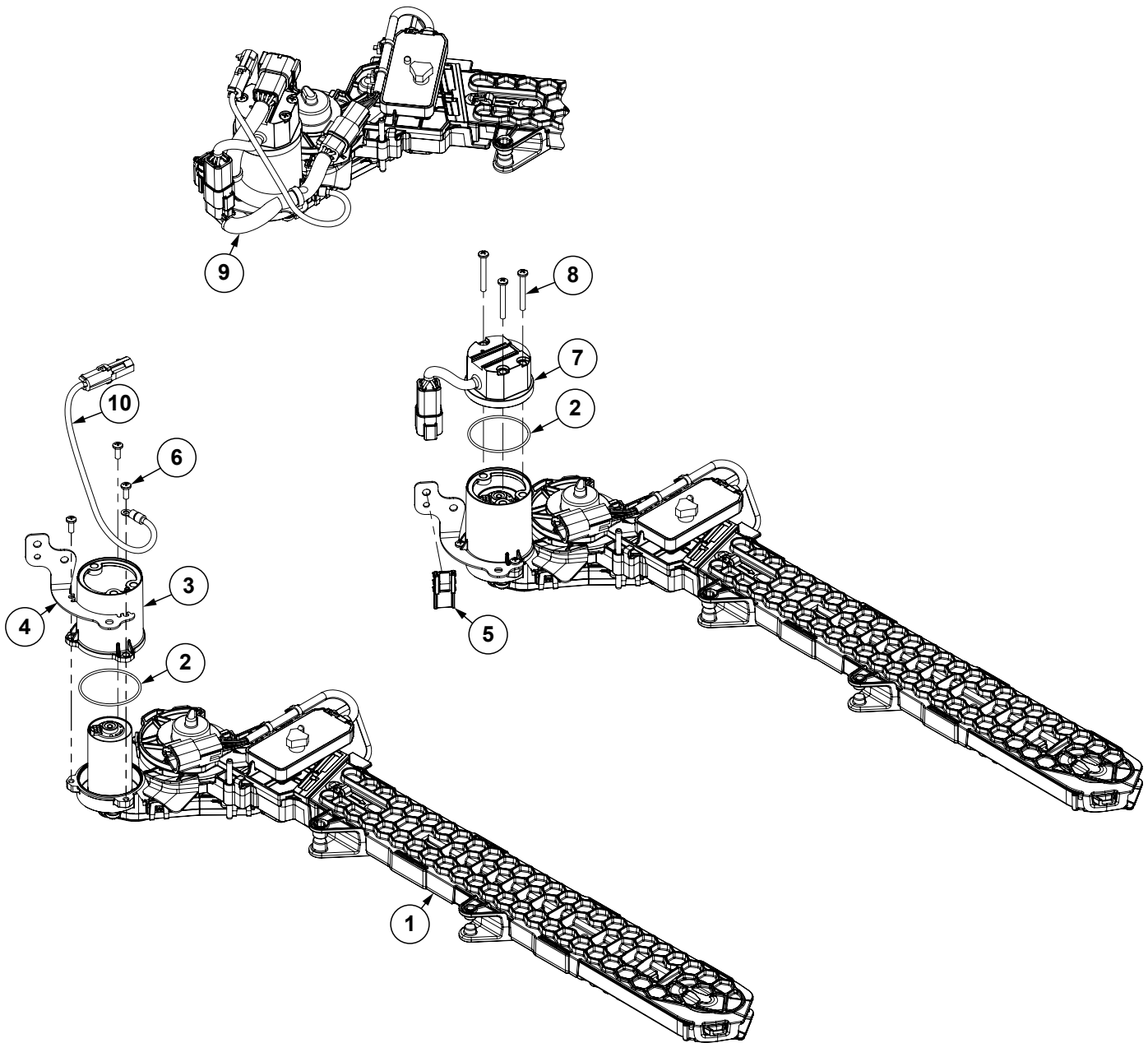


**This page left blank intentionally.**

(103185)

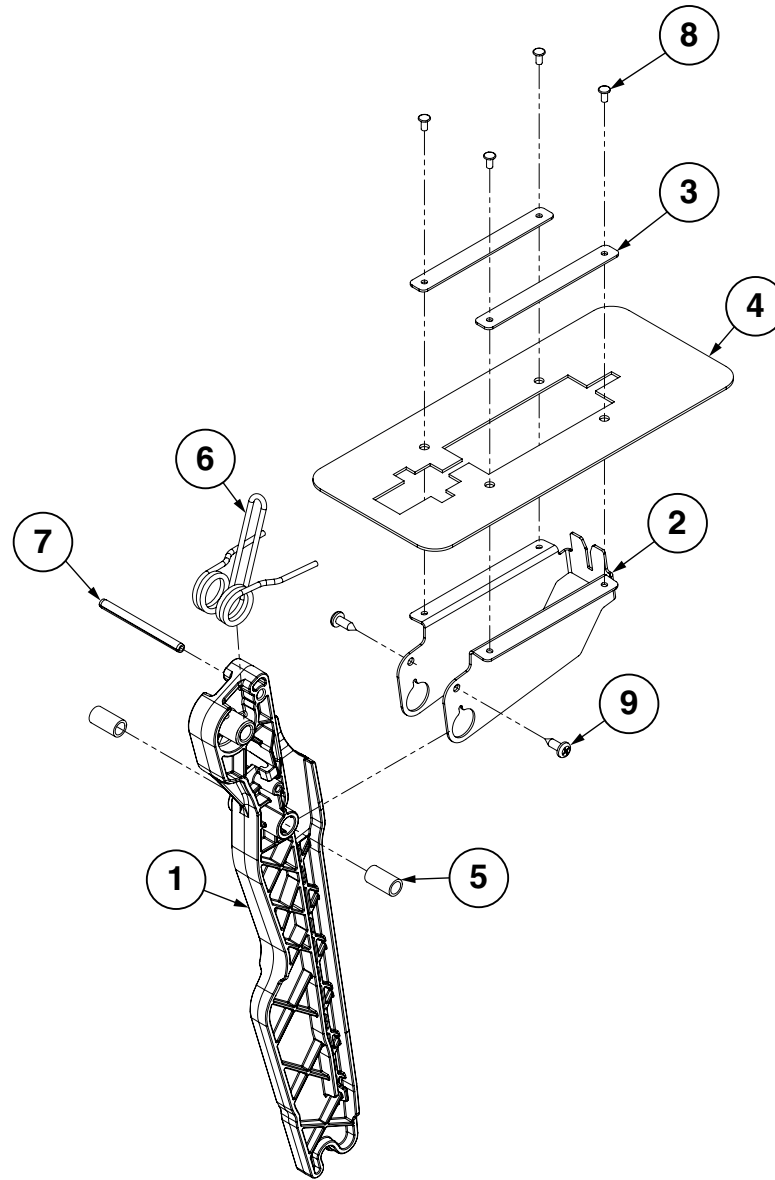


ITEM	PART NO.	QTY. (Per Row)	DESCRIPTION
1	---	-	<a href="#">See "Seed Delivery Rail Assembly" on page P48</a>
2	GB1218	2	Hopper Mount
3	G10302401	2	True Speed Hopper Mount, 3000 Series
4	G11123	2	Hex Serrated Flange Cap Screw, 3/8"-16 x 3/4"
5	---	-	<a href="#">See "True Speed Seed Delivery System W/Driver" on page P47</a>
6	G10418802	1	Disc Opener Scraper
7	G10617801	1	Pull Unit IPN Mount
8	G10267501	1	Wire Tray
9	G10267601	1	IPN Wire Shield, 3000 Series
10	GA25949	1	IPN Module Assembly
11	G7100-616	1	Decal, IPN/IPR M12 Connector O-Ring
12	GA15485	1	Switch
13	GD35609	2	Hex Standoff
14	GD35629	1	IPN RU Mount Plate
15	G11929	2	Hex Head Cap Screw, 1/4"-20 x 2.75", Grade 5
16	G10961	2	Hex Socket Flange Cap Screw, 5/16"-18 x 3/4", Grade 5
17	G10620	2	Serrated Flange Nut, 5/16"-18
18	---	-	<a href="#">See "True Speed Seed Meter" on page P53</a>
19	G10960	2	Hex Non-Serrated Flange Cap Screw, 1/4"-20 x 5/8", Grade 5
20	G11249	2	External Tooth Washer, 1/4"
21	G10213601	1	ESD Ground Strap Harness, True Speed
22	G10213602	1	ESD Ground Strap Harness, True Speed
23	G10176901	1	Cable Tie, 1/2" x 12"
24	G10088301	1	Cable Tie Mount, 3/8"
25	G10004	1	Hex Head Cap Screw, 3/8"-16 x 1 1/4"
26	G10622	1	Serrated Flange Nut, 3/8"-16
27	G10531	2	Wing Nut, 1/4"-20
28	---	-	<a href="#">See "True Speed Mini-Hopper" on page P59</a>

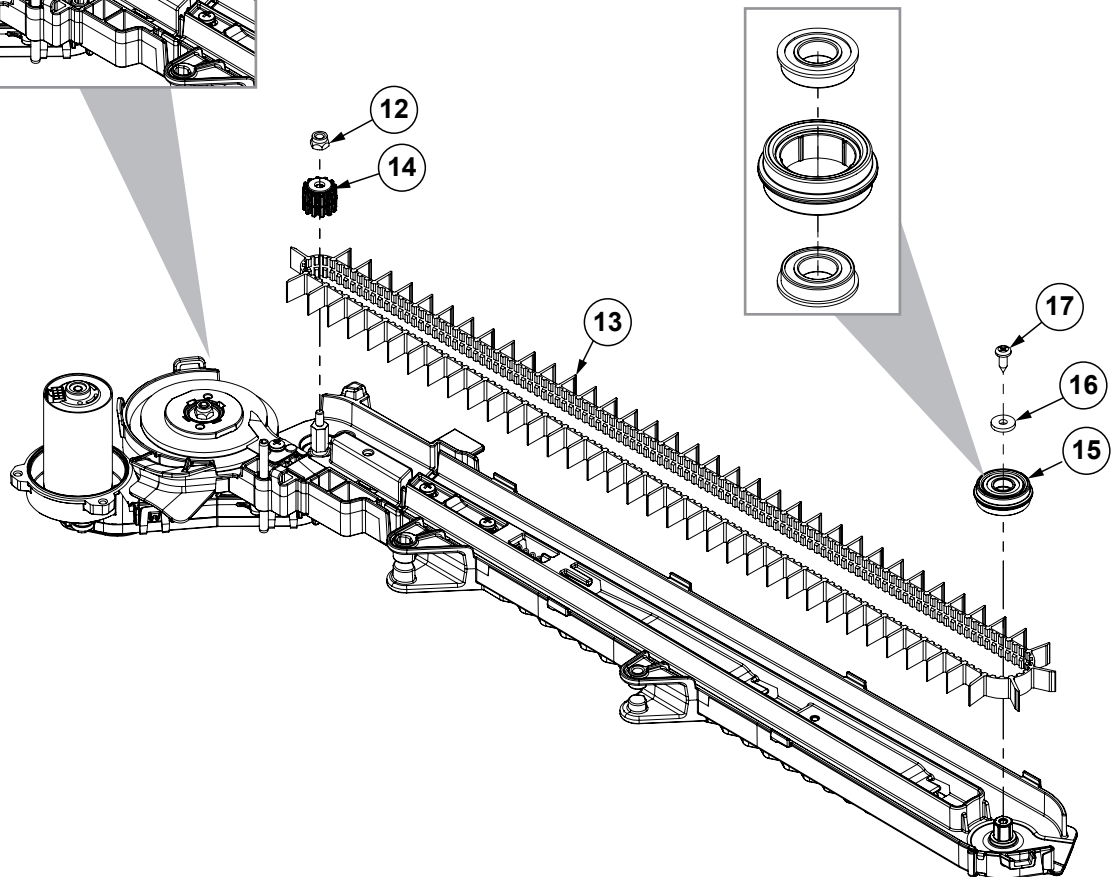
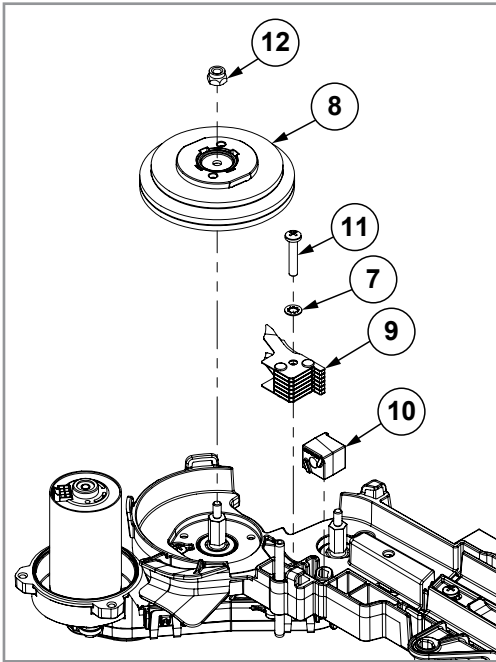


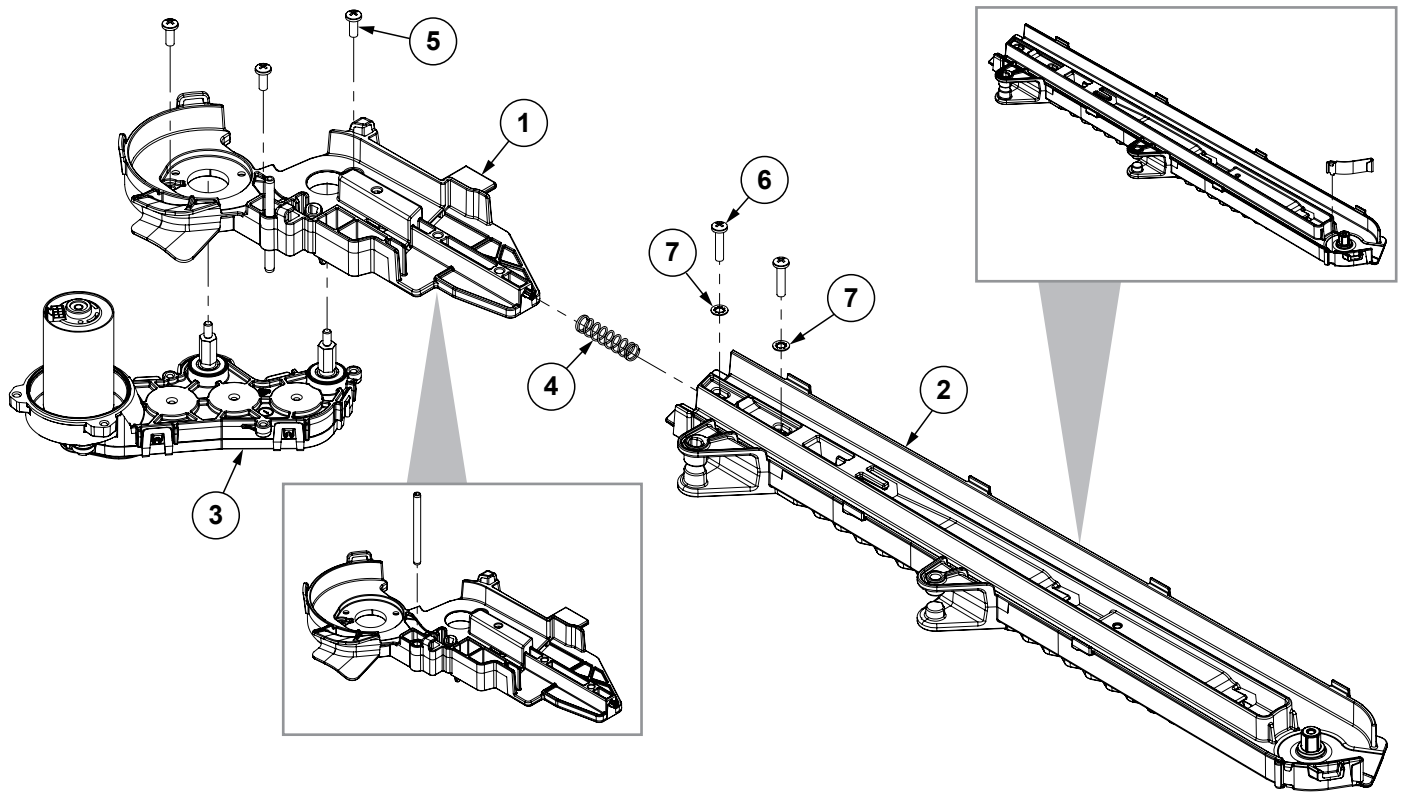
ITEM	PART NO.	QTY.	DESCRIPTION
1	GA27001	1	<a href="#">See "True Speed Seed Delivery System Assembly" on page P49</a>
2	GB1291	2	O-Ring
3	GB1289	1	BLDC Cover Housing
4	GD36961	1	Harness Routing Bracket
5	GD26293		Attachment Clip
6	G11981		Phillips Pan Head Machine Screw, #8-32 x 1/2"
7	G10429001	1	Motor Driver Assembly
8	G11297	3	Phillips Pan Head Machine Screw #8-32 x 1 3/8", Stainless Steel
9	GA26980	1	True Speed Seed Tube
10	G10213502	1	True Speed ESD Ground Strap Harness

(103188)

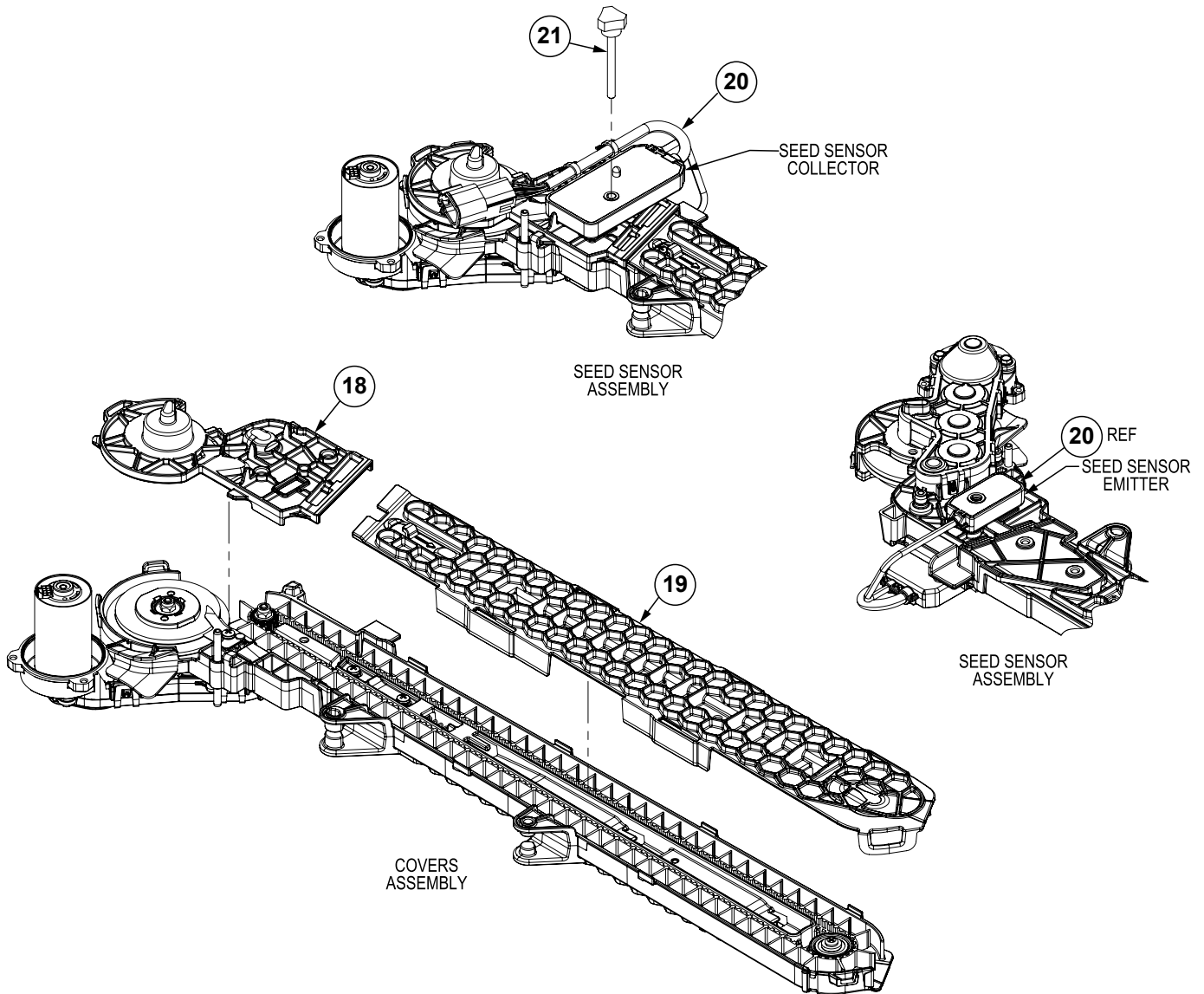


ITEM	PART NO.	QTY.	DESCRIPTION
1	GB1269	1	Seed Delivery Rail
2	GD36950	1	Seed Delivery Collar
3	GD36962	2	Residue Cover Retainer
4	GB1309	1	Residue Cover
5	GD36952-02	2	Spacer, .375" O.D. x 18 GA Wall x .69"
6	GD36951	4	Seed Delivery Spring
7	G11996	1	Spring Slot Pin, 3/16" x 2-1/4"
8	G11765	4	Blind Rivet, 1/8" x 1/4"
9	G11578	2	Phillips Pan Head Tapping Screw, No. 8-18 x 1/2"





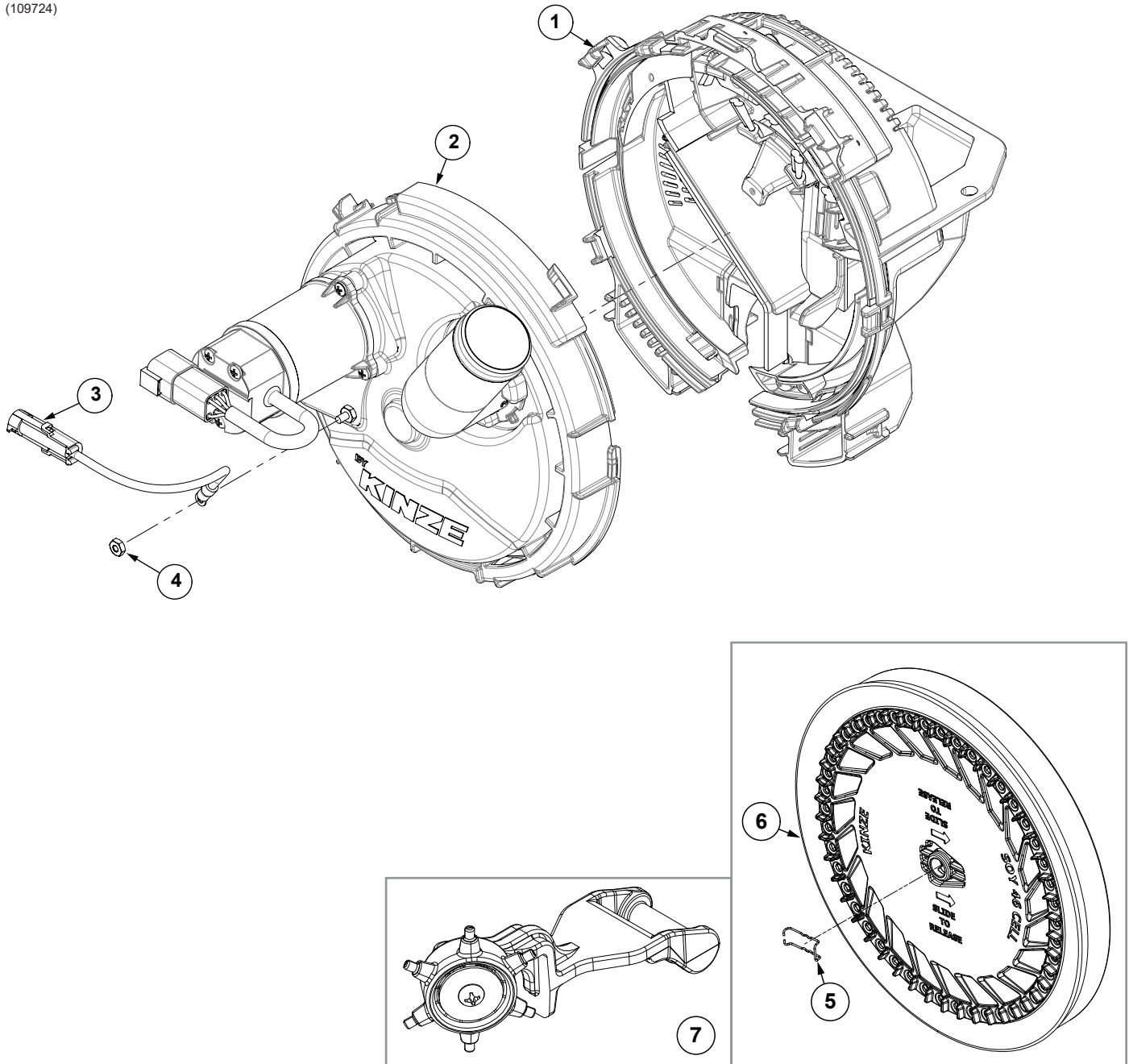
Continued on following pages.





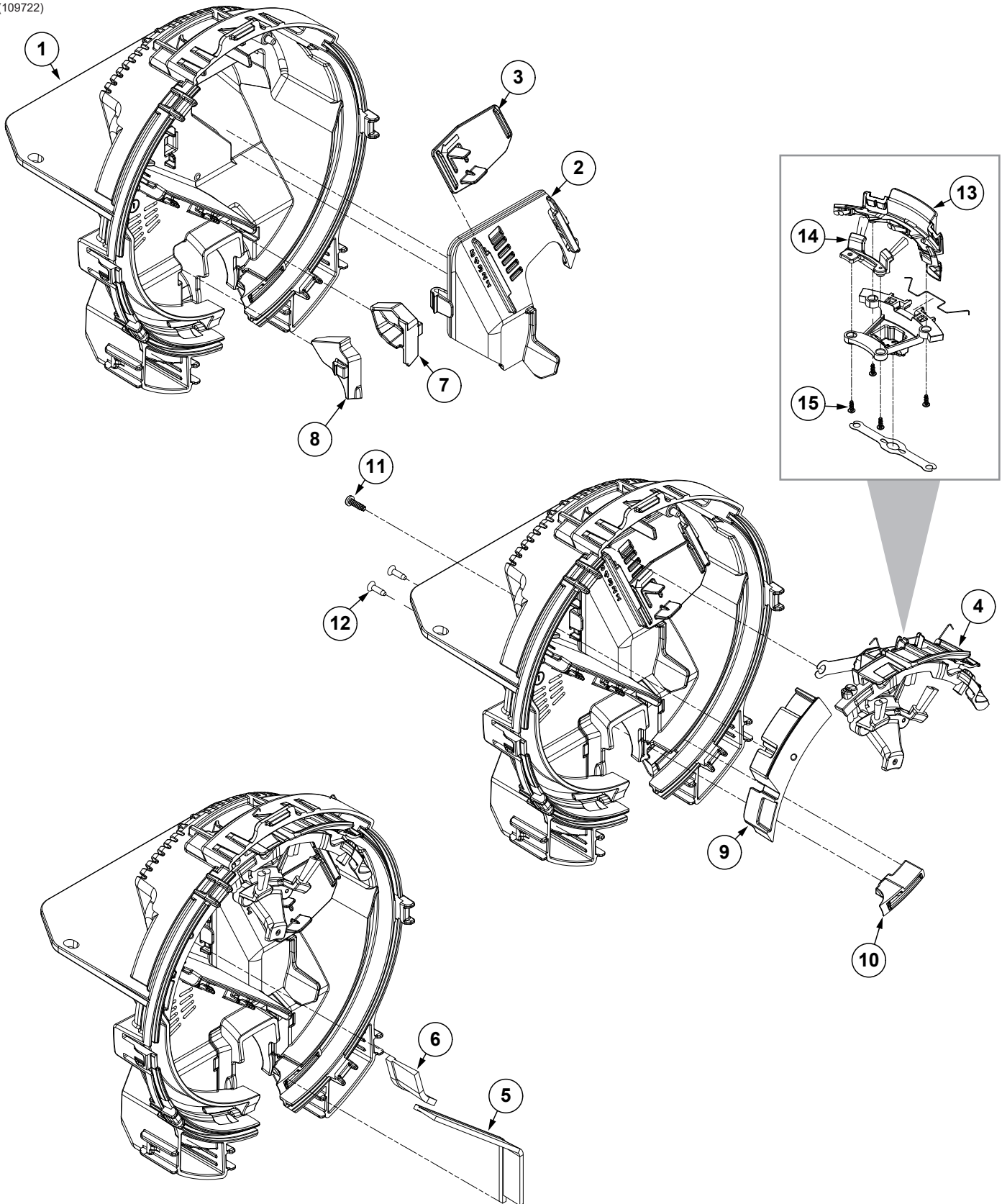
ITEM	PART NO.	QTY.	DESCRIPTION
1	GA27133	1	Seed Delivery Upper Housing Assembly
	G10208201	1	Seed Delivery Upper Housing (Included W/GA27133)
	G11996	1	Spring Slot Pin, 3/16" x 2-1/4" (Included W/GA27133)
2	GA27084	1	Seed Delivery Lower Housing Assembly
	GB1250	1	Seed Delivery Lower Housing (Included W/GA27084)
3	G10545501	1	Seed Delivery Gearcase Assembly
4	GD36938	1	Belt Tensioner Spring
5	G11986	3	Phillips Pan Head Machine Screw, No. 8-32 x 7/16"
6	G11067	2	Phillips Pan Head Machine Screw, No. 8-32 x 3/4", Stainless Steel
7	G11995	3	Internal Tooth Washer, No. 8, Stainless Steel
8	GA27005	1	Brush Wheel Assembly
9	GA27004	1	Stripper Wheel Comb Assembly
10	GB1257	1	Seed Relief Scrubber
11	G11982	1	Phillips Pan Head Machine Screw, No. 8-32 x 7/8", Stainless Steel
12	G11202	2	Lock Nut W/Nylon Insert, No. 8-32, Stainless Steel
13	GB1256	1	Seed Delivery Belt
14	GB1254	1	Belt Drive Sprocket
15	GA27134	1	Seed Delivery Idler Pulley Assembly
	GB1255	1	Seed Deliver Idler Pulley (Included W/GA27134)
16	G11983	1	Flat Washer, No. 8
17	G11578	1	Phillips Pan Head Tapping Screw, No. 8-18 x 1/2"
18	G10208301	1	Seed Delivery Upper Cover
19	GB1251	1	Seed Delivery Lower Cover
20	GA27003	1	Seed Sensor Assembly
21	G10230701	1	Hex Socket Head Cap Screw, No. 10-24
	G10060301	1	Knob, No. 10
A	GA27001	1	Seed Delivery System Assembly, Items 1-21

(109724)



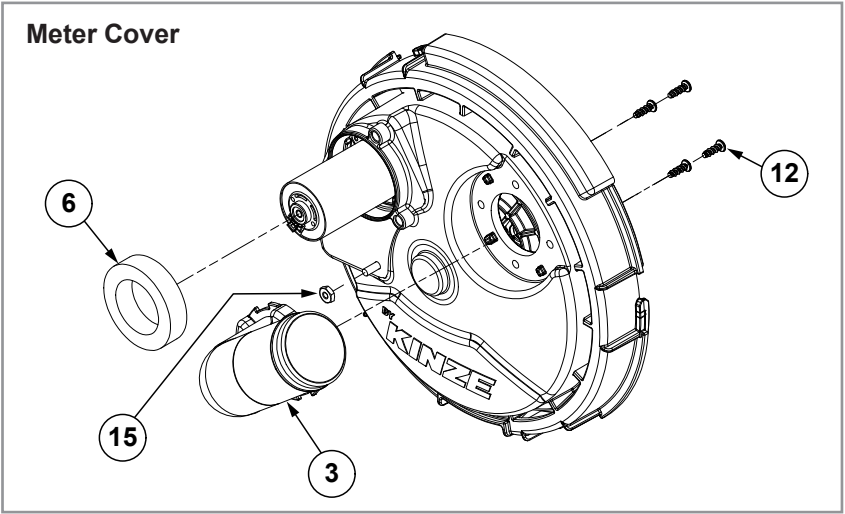
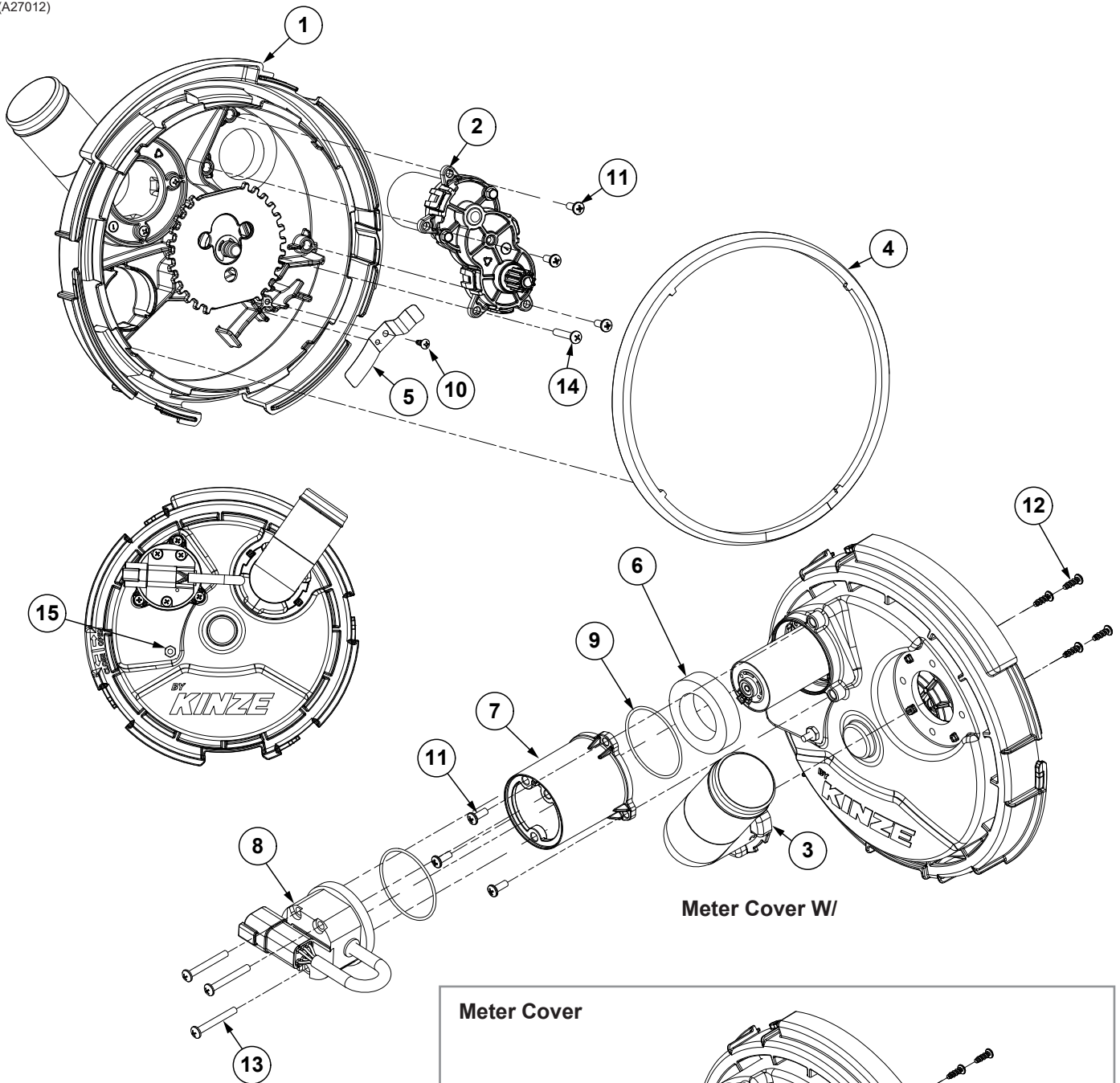
ITEM	PART NO.	QTY.	DESCRIPTION
1	G10972201	1	<a href="#">See "True Speed Meter Housing" on page P55</a>
2	GA27012	1	<a href="#">See "True Speed Meter Cover" on page P57</a>
3	G10213501	1	Only applicable W/True Speed Meter W/Driver
4	G10928	1	Only applicable W/True Speed Meter W/Driver
5	G10318701	1	Seed Disc Retention Clip (Included W/Item 6)
6	G10892X	-	Seed Disc, Corn, 32 Cell (Light Blue Color-Coded) and Ejector Assembly
	G10893X	-	Seed Disc, Soybean, 92 Cell (Black Color-Coded) and Ejector Assembly
	G10894X	-	Seed Disc, Soybean, 46 Cell (Black Color-Coded) and Ejector Assembly
	G11124X	-	Seed Disc, Sunflower, 23 Cell (Yellow Color-Coded) and Ejector Assembly
	G10860X	-	Seed Disc, Sugarbeets/Milo, 46 Cell (Orange Color-Coded) and Ejector Assembly
7	G10177501	-	Ejector Assembly, 32 Cell Corn (Included W/G10892X)
	G10177601	-	Ejector Assembly, 92 Cell Soybean (Included W/G10893X)
	G10177701	-	Ejector Assembly, 46 Cell Soybean (Included W/G10894X)
	G10618501	-	Ejector Assembly, 23 Cell Sunflower (Included W/G11124X)
	GA27023	-	Ejector Assembly, 46 Cell Sugarbeets/Milo (Included W/G10860X)
A	G10972401	1	True Speed Meter W/Driver Assembly, Items 1-4
B	G10972501	1	True Speed Meter Assembly, Items 1-2

(109722)



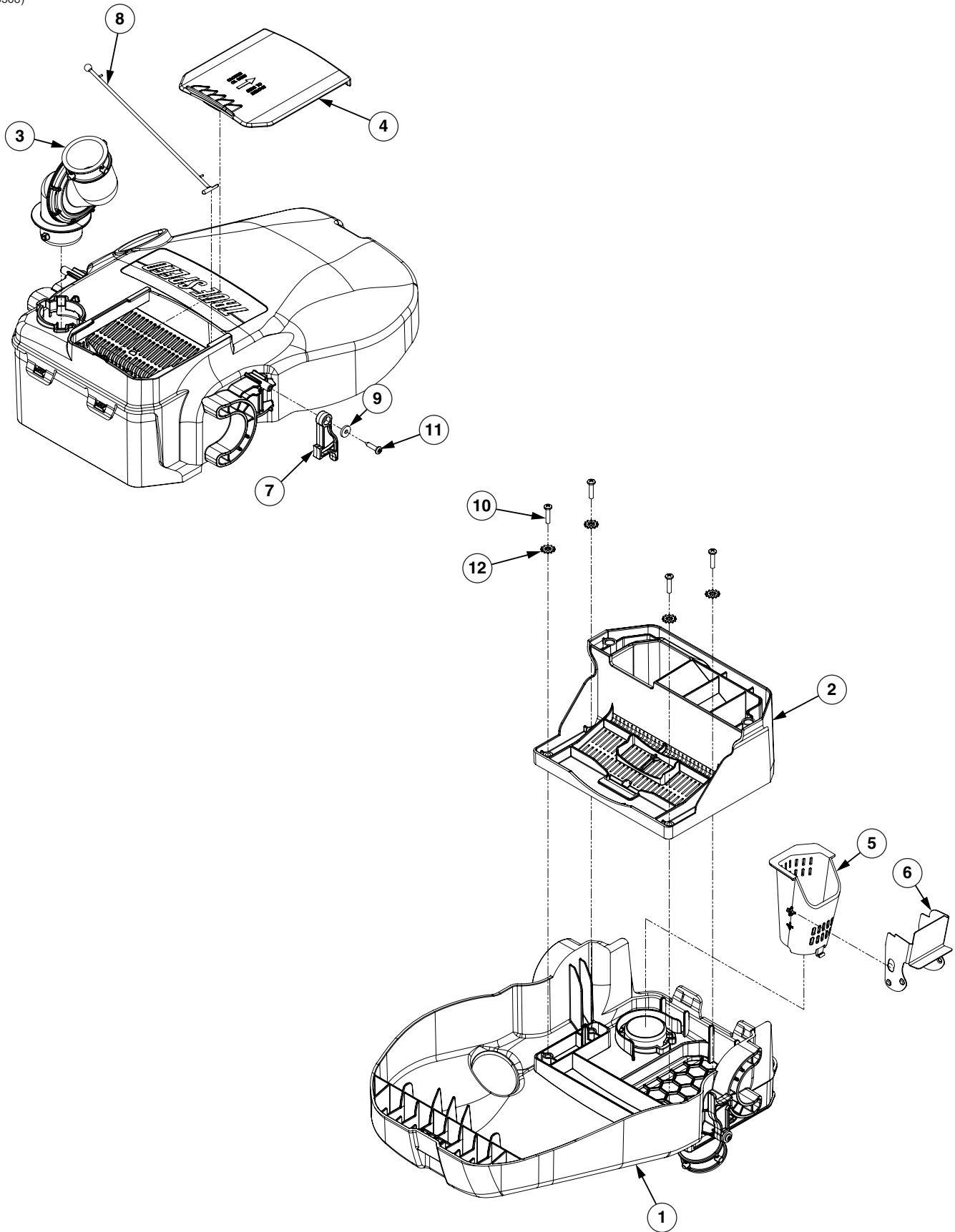
ITEM	PART NO.	QTY.	DESCRIPTION
1	G10208401	1	Meter Housing
2	GB1275	1	Meter Baffle
3	GB1276	1	Door Baffle
4	GA27013	1	Singulator Assembly (Includes Items 13-14)
5	GD36954	1	Meter Wall Brush, Small
6	G10459801	1	Meter Wall Brush, Large
7	GB1307	1	Meter Housing Plug
8	GB1306	1	Meter Housing Plug
9	G10153101	1	Upper Seed Relief Insert
10	G10949902	1	Lower Seed Relief Insert
11	G11556	1	Phillips Pan Head Tapping Screw, 6-19 x 1/2"
12	G10181201	3	Phillips Pan Head Tapping Screw, No. 6-19 x 1/2"
13	GA27015	1	Outer Singulator Brush (Included W/Item 4)
14	GA27014	1	Inner Singulator Brush (Included W/Item 4)
15	G11619	4	Phillips Pan Head Tapping Screw, No. 6-19 x 3/8"

(A27012)



ITEM	PART NO.	QTY.	DESCRIPTION
1	G10320401	1	Meter Cover W/Bearing Assembly
2	G10545601	1	Meter Gearcase Assembly
	GA27007	-	BLDC Motor (Included W/G10545601)
	GB1288	-	Meter Pinion Gear (Included W/G10545601)
	G11994	-	External Side Mount Retaining Ring (Included W/G10545601)
	G10263501	-	Hex Serrated Flange Machine Screw, No. 6-32, Grade 2 (Included W/G10545601)
3	GB1281	1	Vacuum Elbow
4	GB1282	1	Meter Seal
5	GD36959	1	Ejector Arm Retention Spring
6	G10108302	1	Motor Foam Seal
7	GB1289	1	BLDC Cover Housing
8	G10429001	1	Motor Driver Assembly
9	GB1291	2	O-Ring
10	G11619	1	Phillips Pan Head Tapping Screw, No. 6-19 x 3/8"
11	G10724301	6	Phillips Pan Head Machine Screw, No. 8-32 x 7/16"
12	G11578	4	Phillips Pan Head Tapping Screw, No. 8-18 x 1/2"
13	G11960	3	Phillips Pan Head Machine Screw #8 - 32 x 1 1/2", Stainless Steel
14	G11201	1	Phillips Pan Head Machine Screw, No. 8-32 x 1", Stainless Steel
15	G10928	1	Hex Nut, No. 8-32, Stainless Steel

(103368)





---

ITEM	PART NO.	QTY.	DESCRIPTION
1	G10201002	1	Mini-Hopper Cover
2	GB1240	1	Mini-Hopper
3	GA26999	1	Bulk Fill Swivel Inlet
4	GB1242	1	Mini-Hopper Lid
5	G10506301	1	Bulk Fill Diffuser
6	G10199801	1	Diffuser Door
7	GB1246	1	Hopper Latch
8	GB1247	1	Tether
9	G11983	1	Flat Washer, No. 8
10	G11067	4	Phillips Pan Head Machine Screw, No. 8-32 x 3/4", Stainless Steel
11	G11770	1	Phillips Pan Head Tapping Screw, 8-18 x 3/4"
12	G10931	4	Lock Washer, No. 8, Internal/External, Stainless Steel

**This page left blank intentionally.**

# Split Row Push Unit

M0312-02

Model 3605

**NOTE:** Push row units use the same seed tube, row unit depth adjustment components, quick adjustable down force springs, 15" opener disc blades, gauge wheels, closing wheels, meter drive and seed hopper as the pull row unit. See those pages for common parts.

[See "Shank Assembly, Seed Tube, and Depth Adjustment" on page P3](#)

[See "Parallel Arms, Mounting Support Plate, and Quick Adjustable Down Force Springs Option" on page P7](#)

[See "15" Seed Opener Disc Blade/Bearing Assembly and Scrapers" on page P9](#)

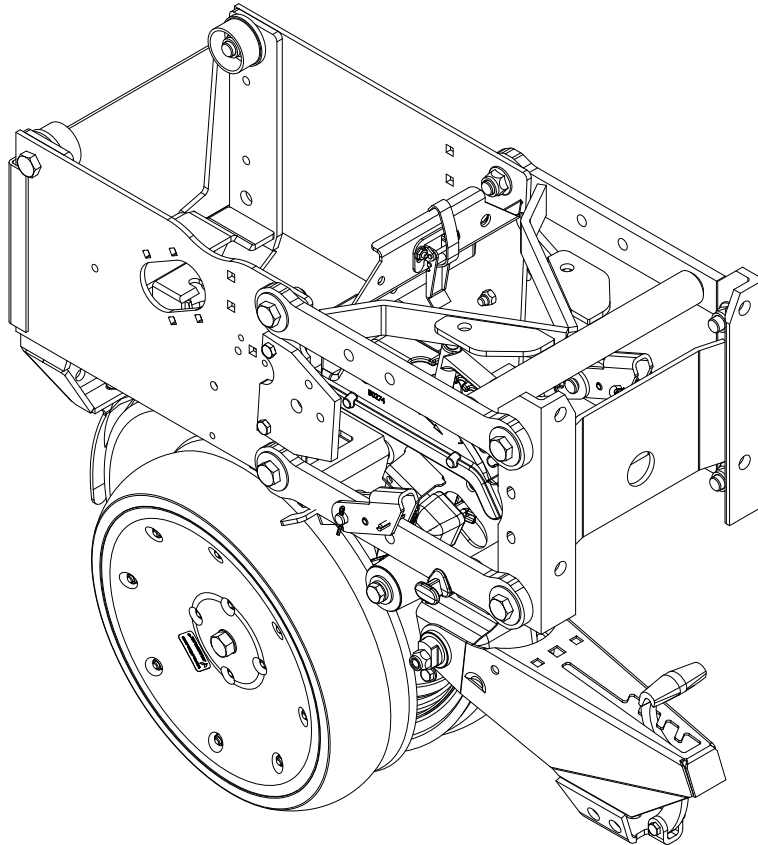
[See "Gauge Wheels" on page P13](#)

[See "'V" Closing Wheels" on page P15](#)

[See "Hopper Support and Meter Drive" on page P17](#)

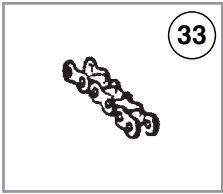
[See "Seed Hopper and Lid" on page P22](#)

**NOTE:** Row unit assembly does not include the following: seed meter assembly, seed tube assembly, row unit hopper assembly, closing wheels, or seed meter clutch.

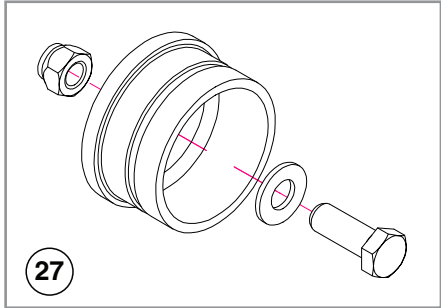
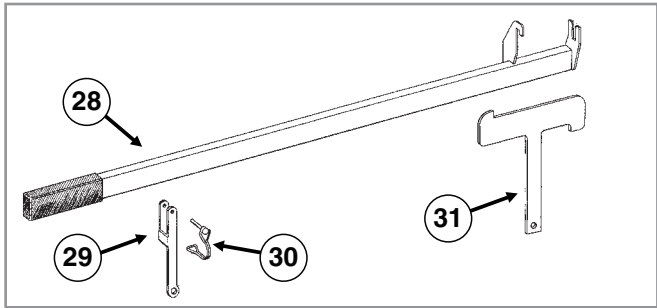
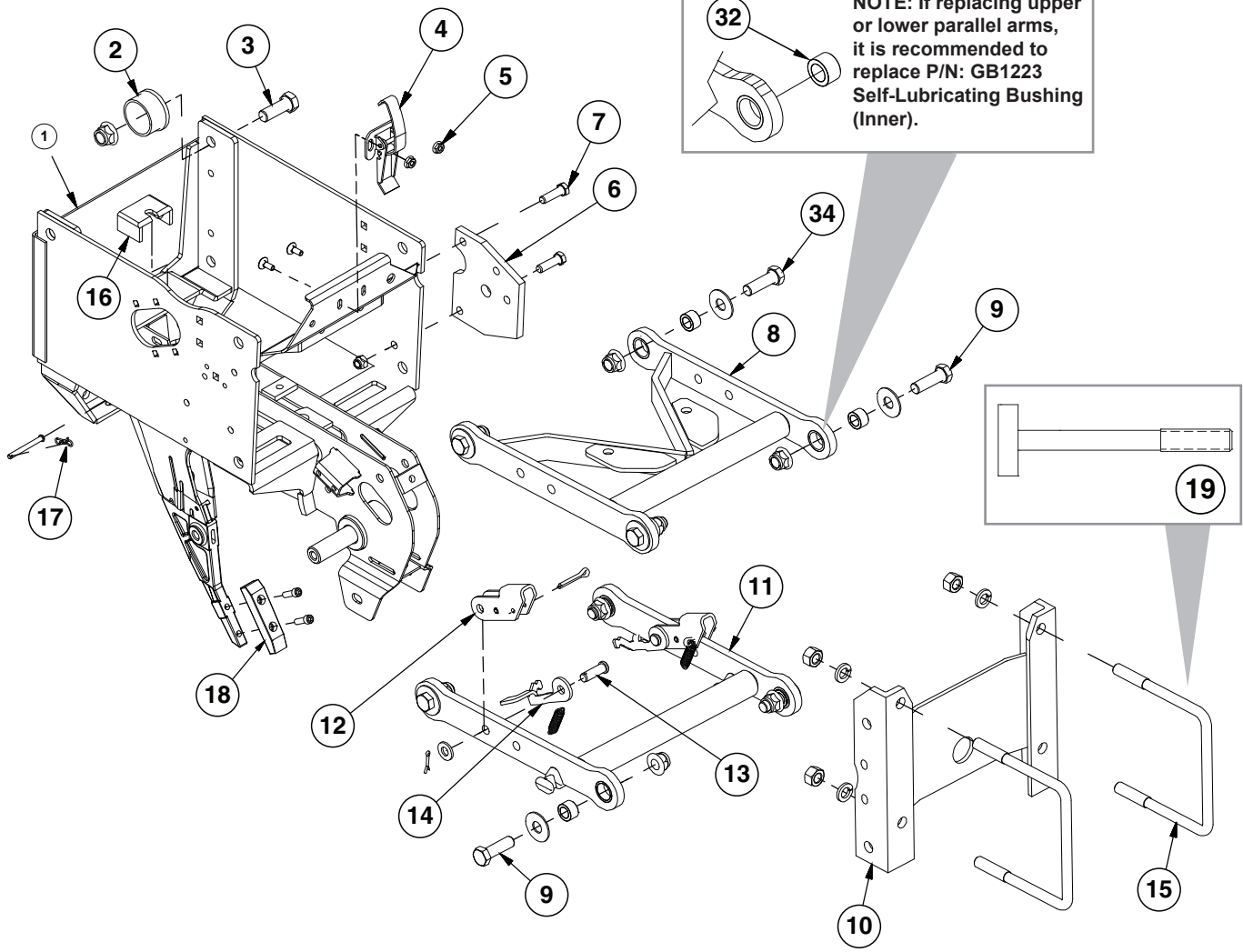


ITEM	PART NO.	QTY. (Per Row)	DESCRIPTION
1	G10504X	1	Push Row Unit Assembly (Standard Gauge Wheels)
2	G10985X	1	Push Row Unit Assembly (Spoked Gauge Wheels)
3	G10918X	1	Push Row Unit Assembly (Spoked Gauge Wheels), <b>True Speed</b>

**NOTE:** Push row units use the same seed tube, row unit depth adjustment components, quick adjustable down force springs, 15" opener disc blades, gauge wheels, closing wheels, meter drive and seed hopper as the pull row unit. See those pages for common parts.



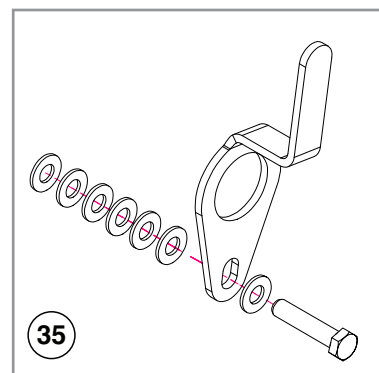
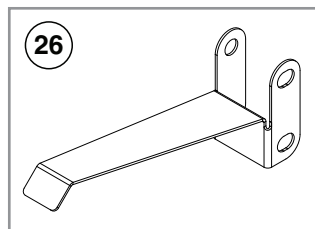
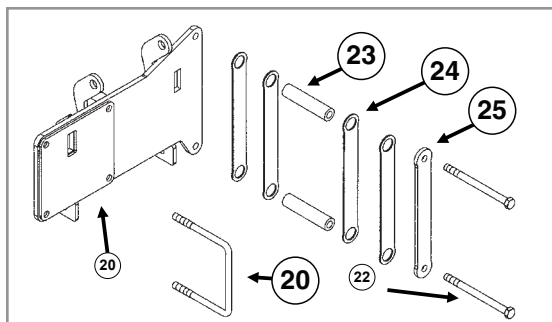
**NOTE:** If replacing upper or lower parallel arms, it is recommended to replace P/N: GB1223 Self-Lubricating Bushing (Inner).



# Split Row Push Unit Assembly

M0312-02

Model 3605



ITEM	PART NO.	QTY. (Per Row)	DESCRIPTION
1	GA26297	1	Push Unit Shank (True Rate)
	G10258501	1	Push Unit Shank (True Speed)
2	GB0314	2	Hopper Mount
3	G10751	6	Hex Head Cap Screw, 5/8"-18 x 1 3/4"
4	GA2007	1	Hopper Hold Down Latch
5	G10621	2	Serrated Flange Nut, 1/4"-20
	G10309	2	Carriage Bolt, 1/4"-20 x 5/8", Grade 5
6	GD24545	2	Row Unit Stop
7	G10004	4	Hex Head Cap Screw, 3/8"-16 x 1 1/4"
	G10108	4	Lock Nut, 3/8"-16
8	G10011001	1	Upper Parallel Arm, Push Unit
	GB1224	4	Self-Lubricating Bushing, 1.25" x 1"
9	G10732	4	Hex Head Cap Screw, 5/8"-18 x 2"
	G11976	4	Flat Washer, 5/8" x 1-3/4"
	GB1223	4	Self-Lubricating Bushing, 1" x .645"
	G11514	4	Non-Serrated Flange Locknut, 5/8"-18
10	GA11971	1	Mounting Plate
11	G10010901	1	Lower Parallel Arm, Push Unit
	GB1224	4	Self-Lubricating Bushing, 1.25" x 1"
12	GA8645	2	Lockup Sub-Assembly
	G10718	-	Spring Pin, 5/16" x 1 1/8" (Included W/GA8645)
	GD11264	-	Lockup (Included W/GA8645)
	G10463	2	Cotter Pin, 1/4" x 1 1/2"
	GD25569	2	Spring
13	G10284	2	Clevis Pin, 1/2" x 1 1/2"
	G11389	2	Flat Washer, 1/2" Plated SAE
	G10451	2	Cotter Pin, 1/8" x 1"
14	GD25568	1	Spring Mount Tab, L.H.
	GD29459	1	Spring Mount Tab, R.H.
15	GD1113	2	U-Bolt, 5" x 7" x 5/8"-11
	G10230	4	Lock Washer, 5/8"
	G10104	4	Hex Nut, 5/8"-11
16	GD16245	1	Shank Cover
17	G10551	1	Clevis Pin, 1/4" x 2 1/2"
	G10122301	1	Bow Tie Cotter Pin, .078" x 1-3/8"
18	G10500901	2	Hex Socket Head Cap Screw, 5/16"-18 x 1"
	G10038601	1	Scraper
19	GA9105	-	T-Bolt, 5/8"-11 x 6" (Center Rows)
	G10230	-	Lock Washer, 5/8"
	G10104	-	Hex Nut, 5/8"-11

Continued on the next

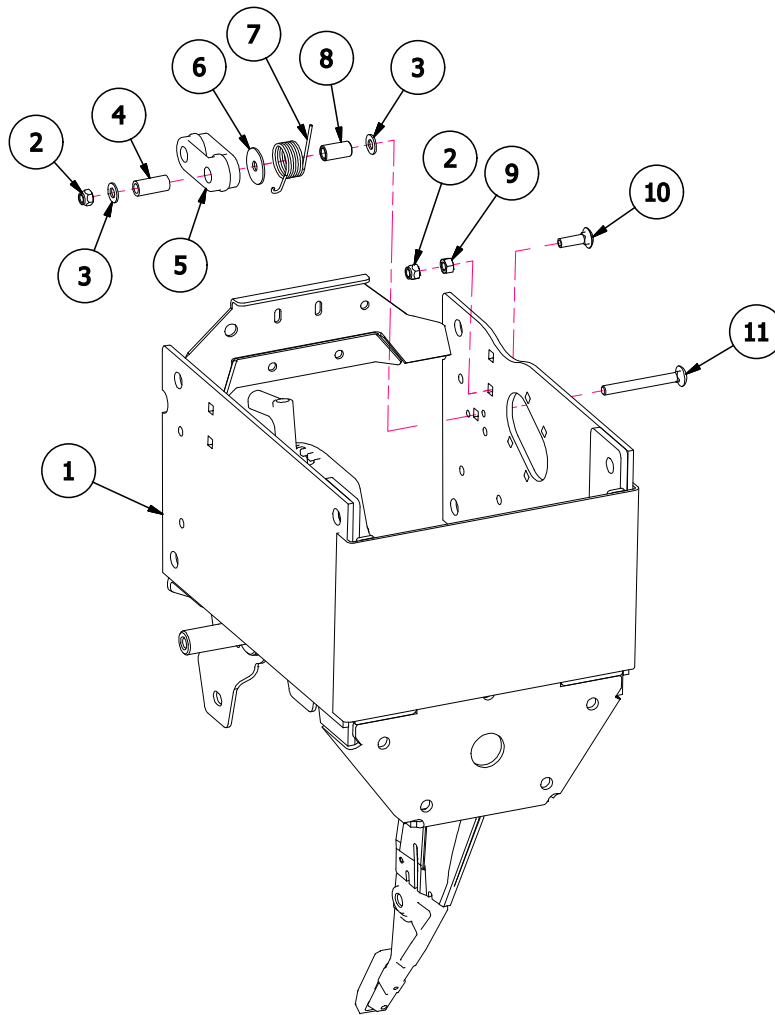
ITEM	PART NO.	QTY. (Per Row)	DESCRIPTION
20	GD1113	-	U-Bolt, 5" x 7" x 5/8"-11
	G10230	-	Lock Washer, 5/8"
	G10104	-	Hex Nut, 5/8"-11
21	GA12677	-	R. H. Offset Hinge Mount
	GA18304	-	L.H. Offset Hinge Mount
22	G10341	-	Hex Head Cap Screw, 5/8"-11 x 8"
	G10230	-	Lock Washer, 5/8"
	G10104	-	Hex Nut, 5/8"-11
23	GD7817-18	2	Spacer, 1 1/16" I.D. x 5 1/2" Long
24	GD18136	4	Pad
25	GD18135	1	Bar
26	GD29806	-	Seed Tube Bracket
27	GD17052	1	Vacuum Plug
	G11387	1	Hardened Washer, 3/8" SAE
	G10001	1	Hex Head Cap Screw, 3/8"-16 x 1"
	G10108	1	Lock Nut, 3/8"-16
28	GA8651	1	Lift Lever W/Boot
	GD11649	-	Boot (Included W/GD11649)
29	GD35471	1	Bracket (Lift Lever)
30	GD9695	1	Wire Lock Pin, 1/4" x 1 3/4"
31	GD35472	1	Mount
32	GB1223	8	Self-Lubricating Bushing
33	G3303-96	1	Chain, No. 41, 96 Pitch Including Connector Link
	GR0196	1	Connector Link, No. 41
34	G10751	4	Hex Head Cap Screw, 5/8"-18 x 1 3/4"
	G11976	4	Flat Washer, 5/8" x 1-3/4"
	GB1223	4	Self-Lubricating Bushing, 1" x .645"
	G11514	4	Non-Serrated Flange Locknut, 5/8"-18
35	GD17014	1	Hose Guide, Vacuum
	G10047	1	Hex Head Cap Screw, 3/8"-16 x 1 3/4"
	G11387	7	Hardened Washer, 3/8" SAE

## Push Row Unit Idler (Ground Contact Drive)

M0312-02

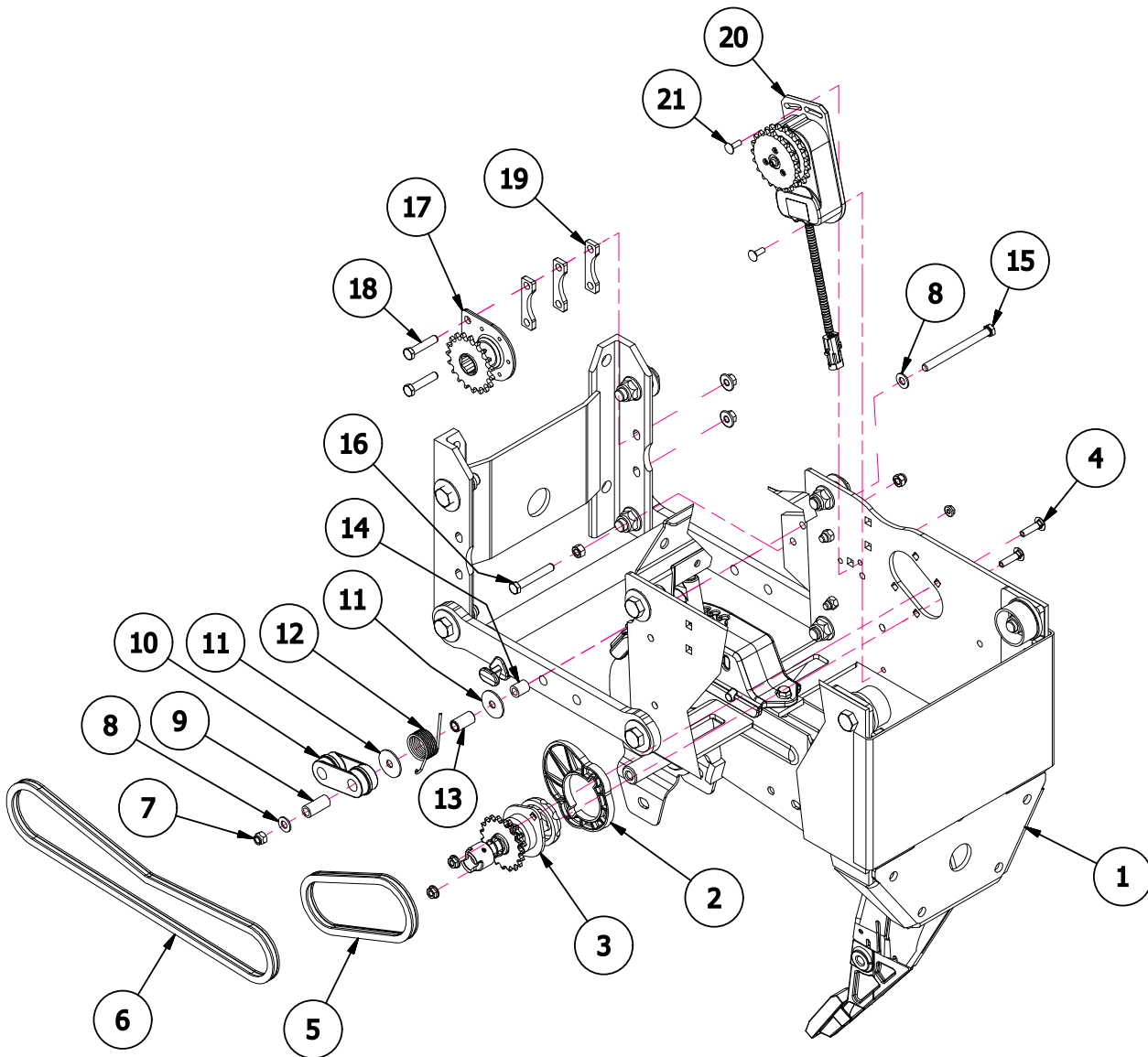
Model 3605

(IP1586)



ITEM	PART NO.	QTY.	DESCRIPTION
1	---	-	<a href="#">See "Split Row Push Unit Assembly" on page P63</a>
2	G10108	2	Lock Nut, 3/8"-16
3	G11387	2	Flat Washer, 3/8" SAE
4	GD8893-01	1	Sleeve, 1 3/8" Long
5	GB0968	1	Idler, Push Unit Drive
6	G10201	1	Special Washer, 3/8" x 1 1/2" O.D.
7	GD11218	1	Spring
8	GD1026	1	Sleeve, 1 3/16"
9	G10101	1	Hex Nut, 3/8"-16
10	G10599	1	Carriage Bolt, 3/8"-16 x 1 1/4"
11	G10307	1	Carriage Bolt, 3/8"-16 x 3 1/2"
A	G10577X	-	3K Push Unit Idler (Items 2-11)

(IP1590)





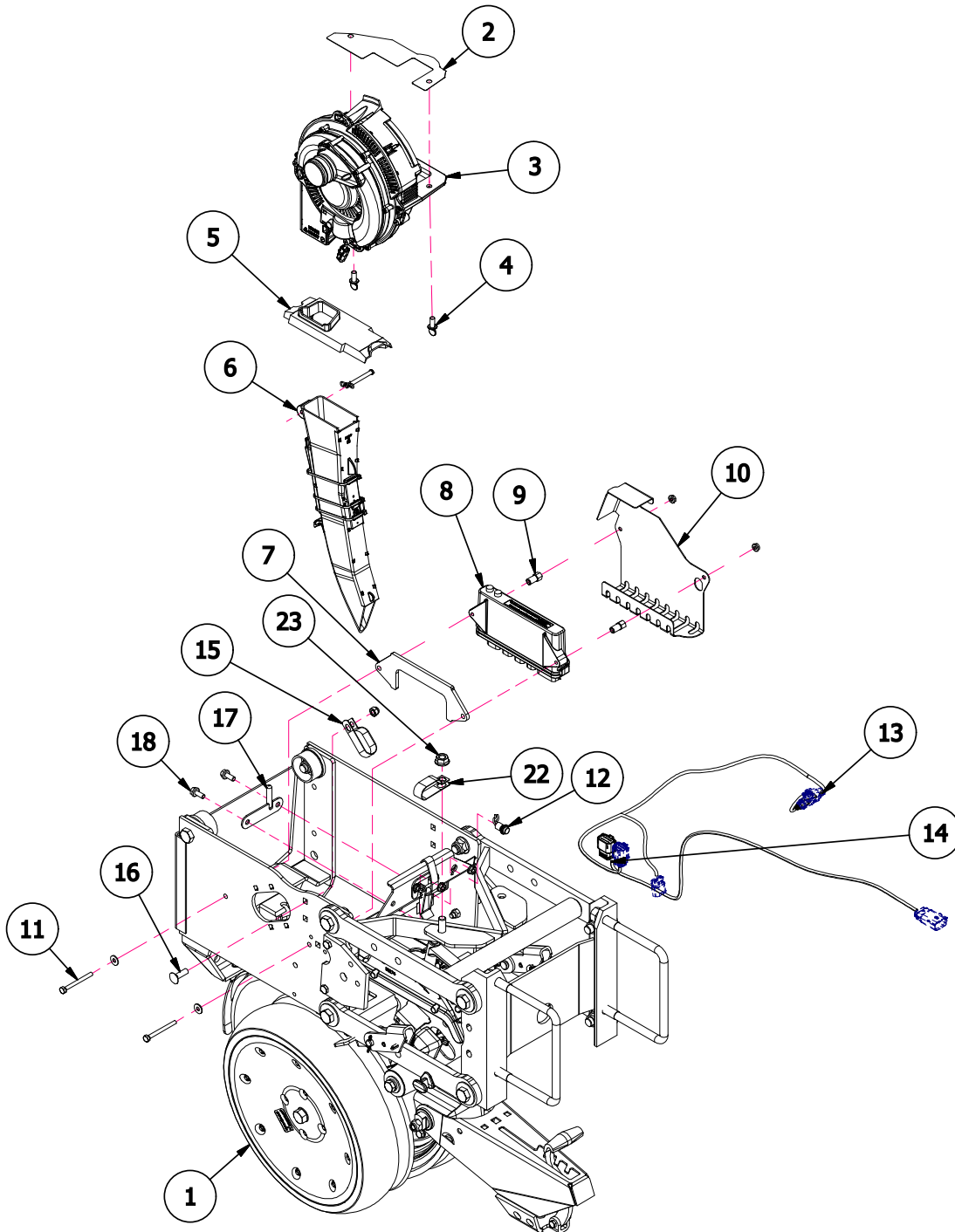
## Ag Leader Electric Clutch, Push Unit

M0312-02

Model 3605

ITEM	PART NO.	QTY. (Per Row)	DESCRIPTION
1	---	-	<a href="#">See "Split Row Push Unit Assembly" on page P63</a>
2	GB0331	1	Clutch Adapter Plate
3	GA10151	1	Seed Meter Clutch Assembly
4	G10338	2	Carriage Bolt, 5/16"-18 x 1 1/4"
	G10620	2	Serrated Flange Nut, 5/16"-18
5	G3303-41	1	Chain, No. 41, 41 Pitch Including Connector Link
6	G3303-78	1	Chain, No. 41, 78 Pitch Including Connector Link
7	G10108	1	Lock Nut, 3/8"-16
8	G11387	2	Flat Washer, 3/8" SAE
9	GD8893-01	1	Sleeve, 1 3/8" Long
10	GB0968	1	Idler, Push Unit Drive
11	G10201	2	Special Washer, 3/8" x 1 1/2" O.D.
12	GD11218	1	Spring
13	GD1026	1	Sleeve, 1 3/16"
14	GD2971-24	1	Sleeve, 3/4"
15	G10753	1	Hex Head Cap Screw, 3/8"-16 x 4 1/2"
16	G10049	1	Hex Head Cap Screw, 3/8"-16 x 2 1/2"
	G10101	1	Hex Nut, 3/8"-16
	G10108	1	Lock Nut, 3/8"-16
17	GA1720	1	Bearing/Sprocket, 19 Tooth, 7/8" Hex Bore
18	G10047	2	Hex Head Cap Screw, 3/8"-16 x 1 3/4"
19	GD23774	3	Spacer
20	GA16374	1	Electric Clutch
21	G10310	2	Carriage Bolt, 1/4"-20 x 3/4", Grade 2
	G10621	2	Serrated Flange Nut, 1/4"-20

(IP1590)

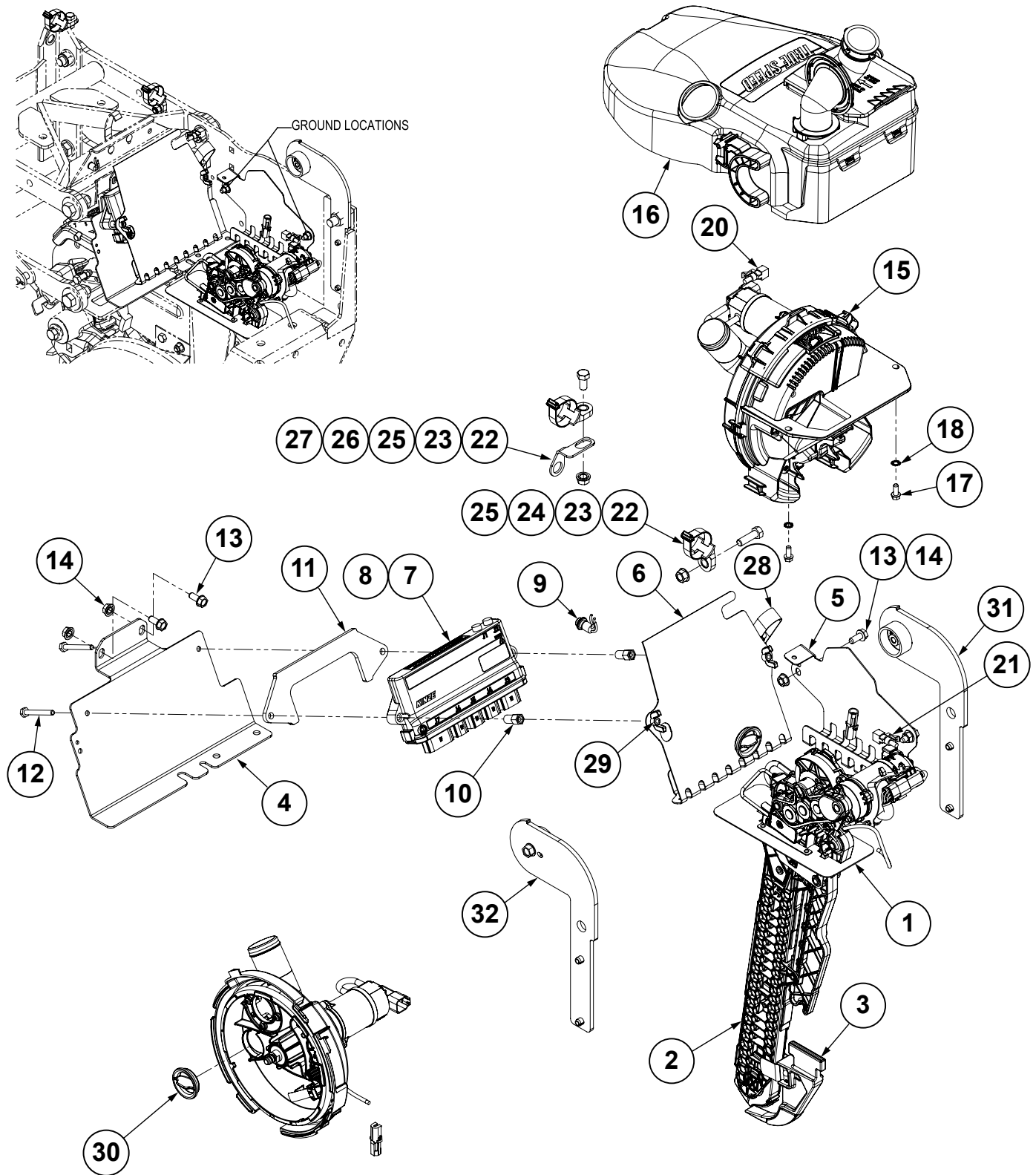


## Split Row Blue Drive Push Unit

M0312-02

Model 3605

ITEM	PART NO.	QTY. (Per Row)	DESCRIPTION
1	---	-	<a href="#">See "Split Row Push Unit Assembly" on page P63</a>
2	GD29413	1	Hopper Shim <b>(Not used with regular hoppers)</b>
3	GA21450	1	<a href="#">See "Vacuum Seed Meter" on page P29</a>
4	G11009	2	Locking Thumbscrew, 5/16"-18 x 3/4"
5	GB0926	1	Shank Cover
6	GA20914	1	Seed Tube Sensor
7	GD35629	1	IPN Row Unit Plate
8	GA25949	1	IPN Module Assembly
9	GD35609	2	Hex Standoff
10	GD35628	1	IPN Wire Shield, Push Unit
11	G11929	2	Hex Socket Flange Cap Screw, 5/16"-18 x 3/4"
	G10209	2	Washer, 1/4" USS
	G10621	2	Serrated Flange Nut, 1/4"-20
12	GA15485	1	Switch
13	GA25039	1	Row Unit Seed Meter Harness
14	GA25029	1	Row Unit Power Extension Harness
15	GD35449	1	Double Tube Clamp, 1"
16	G10599	1	Carriage Bolt, 3/8"-16 x 1 1/4"
	G10108	1	Lock Nut, 3/8"-16
17	GA25084	1	Meter Wire Guard
18	G11539	2	Hex Socket Flange Cap Screw, 5/16"-18 x 3/4"
	G10620	2	Serrated Flange Nut, 5/16"-18
19	---	-	---
20	---	-	---
21	---	-	---
22	GD36388	1	1" Double Tube Clamp, 1/2" Bolt
23	G10071	1	Serrated Flange Nut, 1/2"-13
	G10037	1	Hex Head Cap Screw, 1/2"-13 X 1 1/4"
	G11389	1	Flat Washer, 1/2" Plated SAE

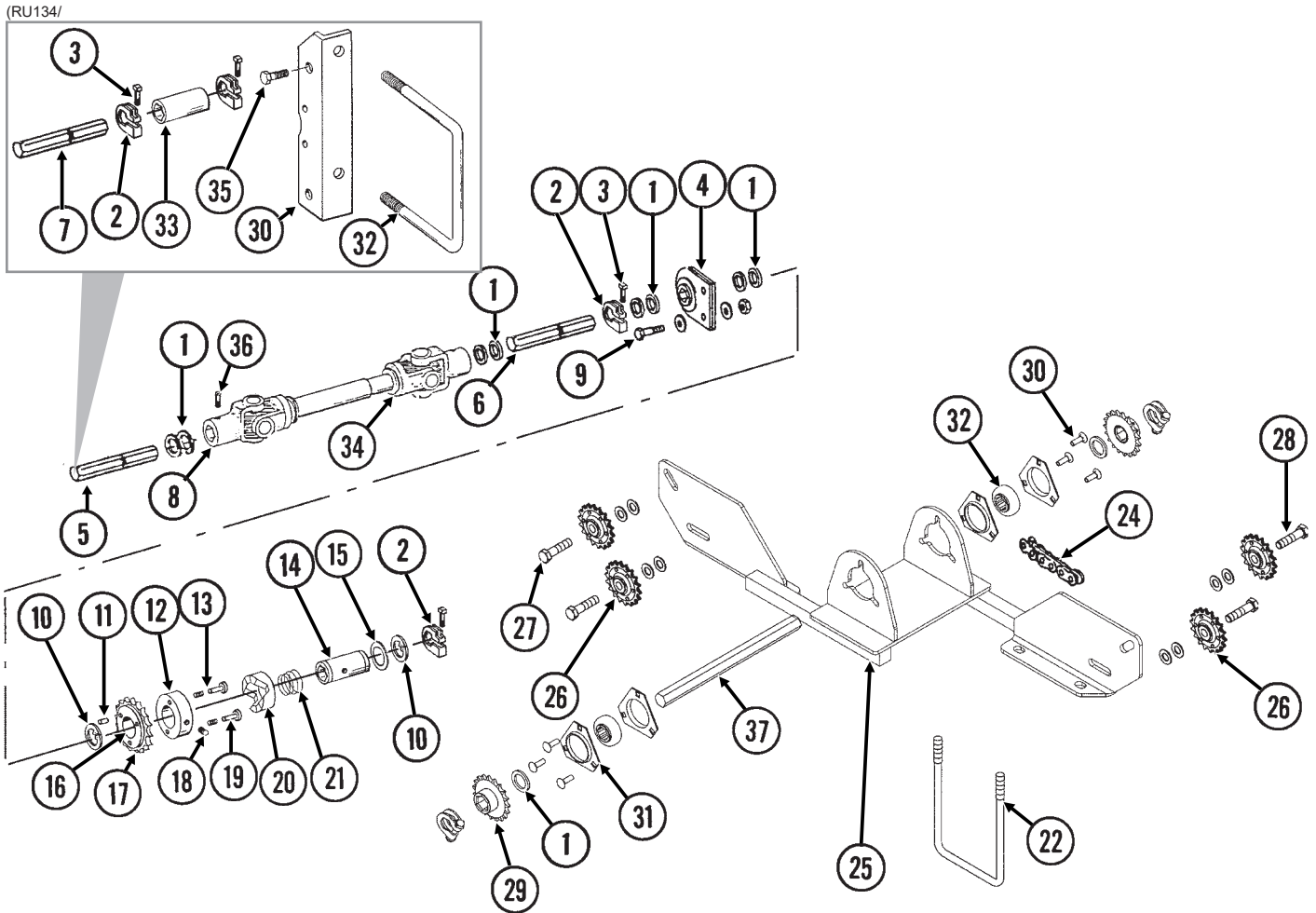


## Split Row True Speed Push Unit

M0312-02

Model 3605

ITEM	PART NO.	QTY. (Per Row)	DESCRIPTION
1	---	-	<a href="#">See "Seed Delivery Rail Assembly" on page P48</a>
2	---	-	<a href="#">See "True Speed Seed Delivery System W/Driver" on page P47</a>
3	G10418802	1	Disc Opener Scraper
4	G10617901	1	Push Unit IPN Mount
5	G10267401	1	Wire Tray
6	G10267601	1	IPN Wire Shield, 3000 Series
7	GA25949	1	IPN Module Assembly
8	G7100-616	1	Decal, IPN/IPR M12 Connector O-Ring
9	GA15485	1	Switch
10	GD35609	2	Hex Standoff
11	GD35629	1	IPN RU Mount Plate
12	G11929	2	Hex Head Cap Screw, 1/4"-20 x 2.75", Grade 5
13	G10961	4	Hex Socket Flange Cap Screw, 5/16"-18 x 3/4"
14	G10620	4	Serrated Flange Nut, 5/16"-18
15	---	-	<a href="#">See "True Speed Seed Meter" on page P53</a>
16	---	-	<a href="#">See "True Speed Mini-Hopper" on page P59</a>
17	G10960	2	Hex Non-Serrated Flange Cap Screw, 1/4"-20 x 5/8", Grade 5
18	G11249	2	External Tooth Washer, 1/4"
19	---	-	---
20	G10213601	1	ESD Ground Strap Harness, True Speed
21	G10213602	1	ESD Ground Strap Harness, True Speed
22	G10176901	1	Cable Tie, 1/2" x 12"
23	G10088301	1	Cable Tie Mount, 3/8"
24	G10004	1	Hex Head Cap Screw, 3/8"-16 x 1 1/4"
25	G10622	1	Serrated Flange Nut, 3/8"-16
26	G10320601	1	Cable Tie Bracket Plate
27	G10002	1	Hex Head Cap Screw, 3/8"-16 x 3/4"
28	GD35449	1	Double Tube Clamp, 1"
29	G10531M	2	Wing Nut, 1/4"-20
30	G10230101	1	True Speed Meter Vacuum Plug
31	G10375501	1	Split Row True Speed Hopper Mount
32	G10375401	1	Split Row True Speed Hopper Mount



ITEM	PART NO.	QTY. (Per Side)	DESCRIPTION
1	G10233	-	Machine Bushing, 1", 10 Gauge (As Required)
2	GD11045	-	Lock Clamp
3	G10130	-	Square Head Machine Bolt, 5/16"-18 x 1 3/4"
	G10923	-	Flange Nut, 5/16"-18, No Serration
4	GA2180	-	Hanger Bearing, 7/8" Hex Bore
5	GD0914-99	-	Hex Shaft, 7/8" x 99" (No Holes), R.H. Side
	GD0914-60	-	Hex Shaft, 7/8" x 60" (No Holes), L.H. Side
6	GD0914-90	-	Hex Shaft, 7/8" x 90" (No Holes), R.H. Side
	GD0914-100	-	Hex Shaft, 7/8" x 100" (No Holes), L.H. Side
7	GD0914-25	-	Hex Shaft, 7/8" x 25" (No Holes), 16 Row W/Even-Row Push Unit
8	GA18276	-	U-Joint W/Grease Fitting, Female, 10 1/4" Long
	GR1557	-	Grease Fitting, 45°, Metric (Included W/GA18276)
	GR2148	-	Inboard and Outer Profile Yoke (Included W/GA18276)
	GR1294	-	Cross And Bearing Kit (Included W/GA18276)
	GR2151	-	Yoke, 7/8" Hex (Included W/GA18276)
9	G10004	-	Hex Head Cap Screw, 3/8"-16 x 1 1/4"
	G11387	-	Flat Washer, 3/8" SAE
	G10229	-	Lock Washer, 3/8"
	G10101	-	Hex Nut, 3/8"-16
10	G10496	2	External Inverted Snap Ring, 1 1/2"
11	G10968	1	Spring Pin, 5/32" x 7/16"
12	GR1405	1	Lock Collar

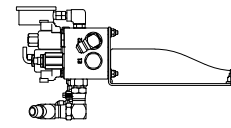
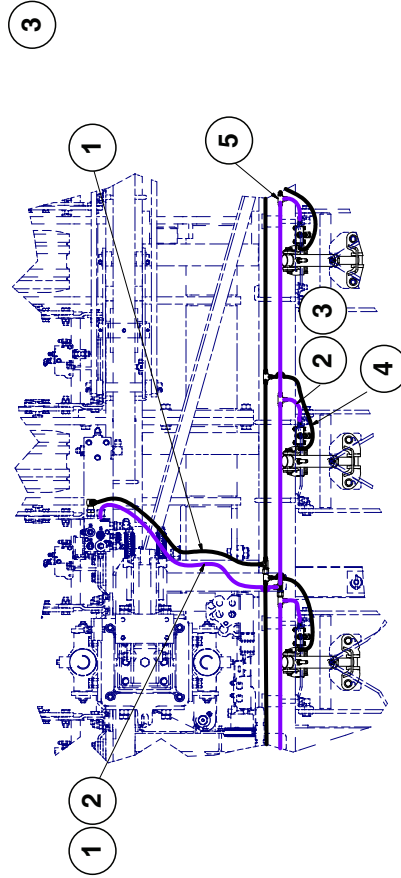
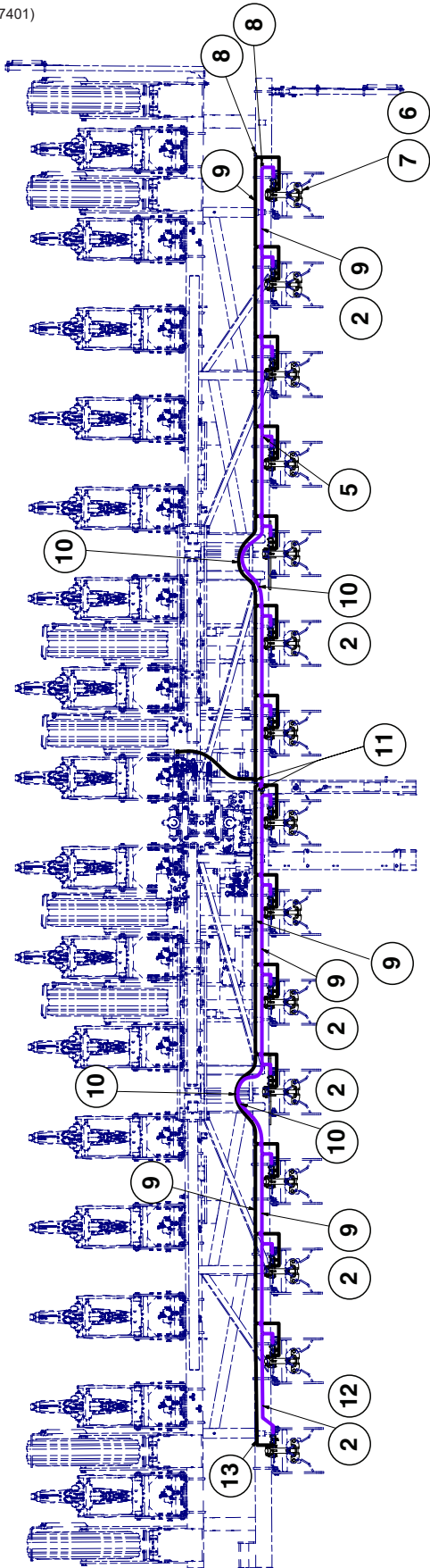
## Split Row Push Unit Drive

M0312-02

Model 3605

ITEM	PART NO.	QTY. (Per Side)	DESCRIPTION
13	GR1413	1	Spring
14	GR1407	1	Drive Shaft
15	GR1411	1	Shim
16	GR1406	1	Bushing
17	GR1412	1	Sprocket, 19 Tooth
18	G10535	1	Hex Socket Set Screw, 3/8"-16 x 3/4"
19	GR1410	1	Pin
20	GR1409	1	Knurled Collar
21	GR1408	1	Compression Spring
22	GD8306	2	U-Bolt, 7" x 5" x 1/2"-13
	G10228	4	Lock Washer, 1/2"
	G10102	4	Hex Nut, 1/2"-13
23	---	-	---
24	G3310-122	1	Chain, No. 40, 122 Pitch Including Connector Link
	GR0912	-	Connector Link, No. 40
25	GA24371	1	L.H. Crossover
	GA24372	-	R.H. Crossover
26	GA7154	4	Sprocket W/Bearing, 18 Tooth
27	G10016	4	Hex Head Cap Screw, 1/2"-13 x 2"
	G11389	8	Flat Washer, 1/2" SAE
	G10228	4	Lock Washer, 1/2"
	G10102	4	Hex Nut, 1/2"-13
28	G10016	2	Hex Head Cap Screw, 1/2"-13 x 2"
	G11389	2	Flat Washer, 1/2" SAE
	G10228	2	Lock Washer, 1/2"
	G10102	2	Hex Nut, 1/2"-13
29	GA5107	-	Sprocket, 19 Tooth
30	G10303	-	Carriage Bolt, 5/16"-18 x 1"
	G11386	-	Flat Washer, 5/16" SAE
	G10109	-	Lock Nut, 5/16"-18
31	G3400-01	-	Flangette
32	G2100-03	-	Bearing, 7/8" Hex Bore, Spherical
33	GD1719	-	Coupler, 4"
34	GA18275	1	U-Joint Assembly w/Set Screw
	GR1557	-	Grease Fitting, 45°, Metric (Included W/GA18275)
	GR2147	-	Inner Profile (Included W/GA18275)
	GR1295	-	Inboard Yoke (Included W/GA18275)
	GR1301	-	Spring Pin, 8 mm x 50 mm (Included W/GA18275)
	GR1294	-	Cross And Bearing Kit (Included W/GA18275)
	GR2151	-	Yoke, 7/8" Hex (Included W/GA18275)
35	G10752	-	Hex Head Cap Screw, 5/8"-18 x 2 1/4"
	G11391	-	Flat Washer, 5/8" SAE
	G10412	-	Lock Nut, 5/8"-18
36	G10120	4	Hex Socket Set Screw, 3/8"-16 x 1/2"
37	GD0914-12.5	-	Hex Shaft, 7/8" x 12 1/2"
A	GA8092	-	Clutch Sprocket Assembly, 19 Tooth (Items 10-21)
B	G1K269	-	Lock Clamp Kit (Items 2 and 3)
C	G1K331	-	Clutch Sprocket Kit (Items 11, 16, and 17)

(10097401)



Hydraulic Downforce  
Manifold Block



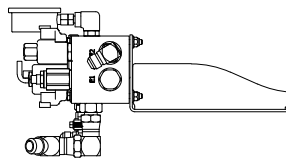
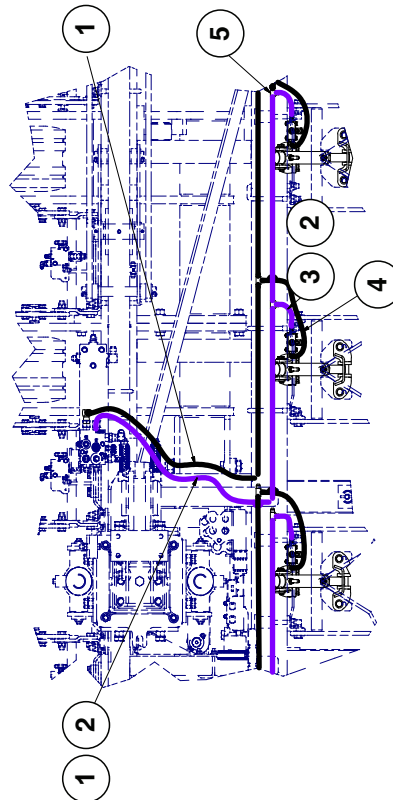
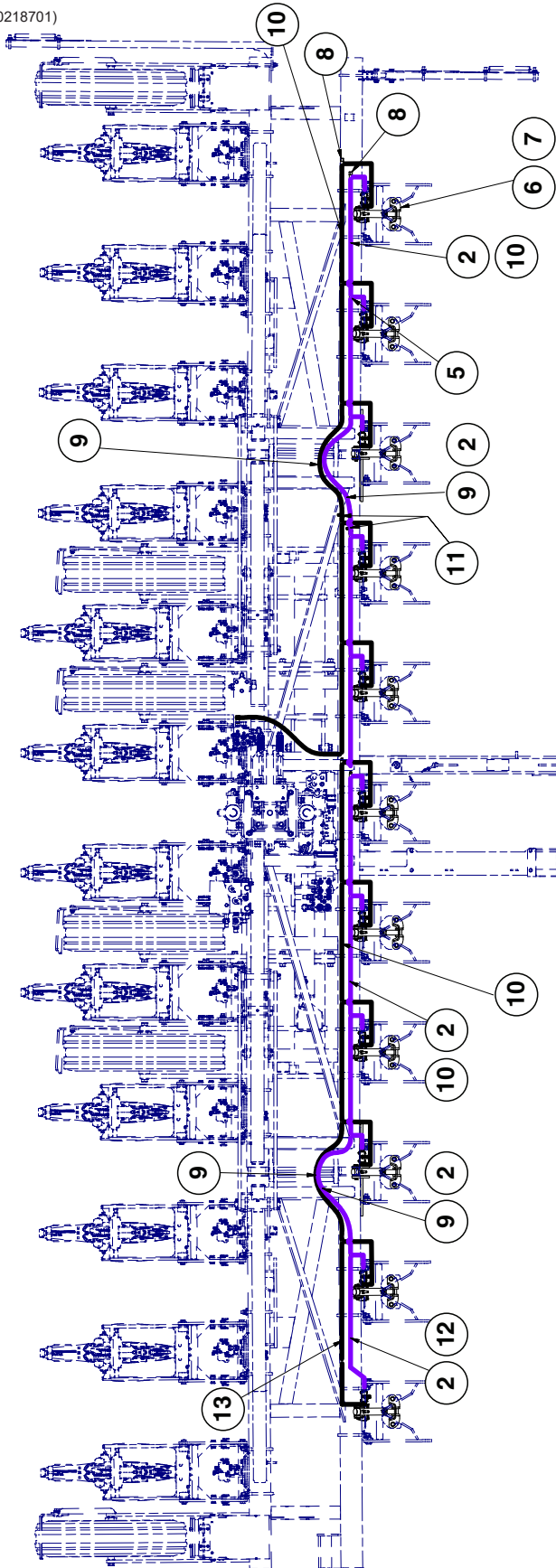
ITEM	PART NO.	QTY.	DESCRIPTION
1	*A25690-48	2	Hose Assembly, 3/8" x 48" (06F-08F STD 90°)
2	GD35904-01	58	Shrink Tube, Purple PP
3	*A7680-11	14	Hose Assembly, 1/4" x 11" (04F-06F)
4	*A7682-11	14	Hose Assembly, 1/4" x 11" (04L90F-06F)
5	G2603-06	28	Tee, 9/16"-18 Male JIC
6	GA7146	15	Link, True Depth II
7	GA26709	15	Integrated True Depth Row Unit Harness
8	G304-C-06	2	Cap Nut, 9/16"-18
9	*A12038	22	Hose Assembly, 3/8" x 30" (06F-06F)
10	*A15081-36	4	Hose Assembly, 3/8" x 365" (06F - 06F)
11	G6602-06	2	Swivel Tee, 9/16"-18 JIC
12	*A7680-35	1	Hose Assembly, 1/4" X 35" (04F 90S-06F)
13	*A7682-35	1	Hose Assembly, 1/4" x 35" (04L90F-06F)

# Split Row Hydraulic Downforce Hoses and Fittings, 12 Row

Model 3605

M0312-02

(10218701)



Hydraulic Downforce  
Manifold Block

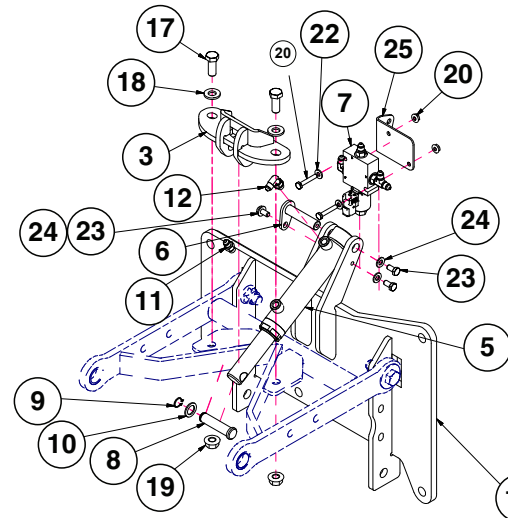
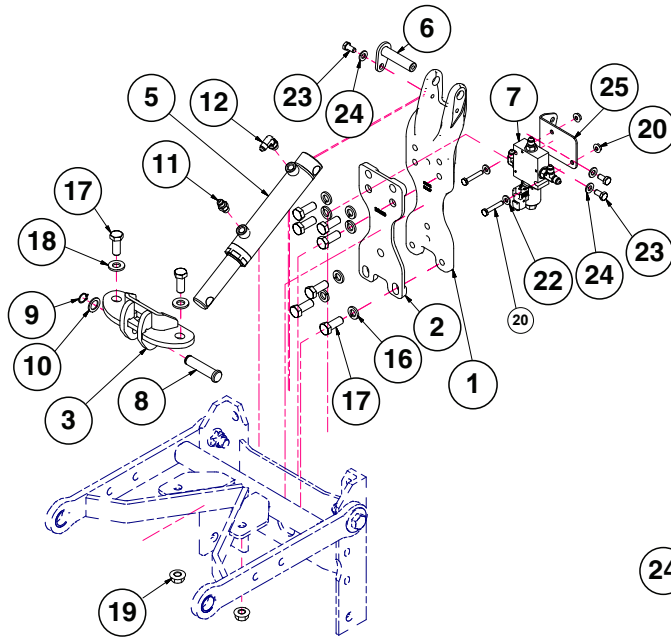
# Split Row Hydraulic Downforce Hoses and Fittings, 12 Row

M0312-02

Model 3605

ITEM	PART NO.	QTY.	DESCRIPTION
1	*A25690-48	2	Hose Assembly, 3/8" x 48" (06F-08F STD 90°)
2	GD35904-01	44	Shrink Tube, Purple PP
3	*A7680-11	10	Hose Assembly, 1/4" x 11" (04F-06F)
4	*A7682-11	10	Hose Assembly, 1/4" x 11" (04L90F-06F)
5	G2603-06	20	Tee, 9/16"-18 Male JIC
6	GA7146	11	Link, True Depth II
7	GA26709	11	Integrated True Depth Row Unit Harness
8	G304-C-06	2	Cap Nut, 9/16"-18
9	*A15081-36	4	Hose Assembly, 3/8" x 365" (06F - 06F)
10	*A12038	14	Hose Assembly, 3/8" x 30" (06F-06F)
11	G6602-06	2	Swivel Tee, 9/16"-18 JIC
12	*A7680-35	1	Hose Assembly, 1/4" X 35" (04F 90S-06F)
13	*A7682-35	1	Hose Assembly, 1/4" x 35" (04L90F-06F)

(10097401)



Split Rows #5 & #11 on 16R  
Split Rows #3 & #9 on 12R

USE FOR ROW 5  
USE FOR ROW 11

## Split Row Hydraulic Downforce

M0312-02

Model 3605

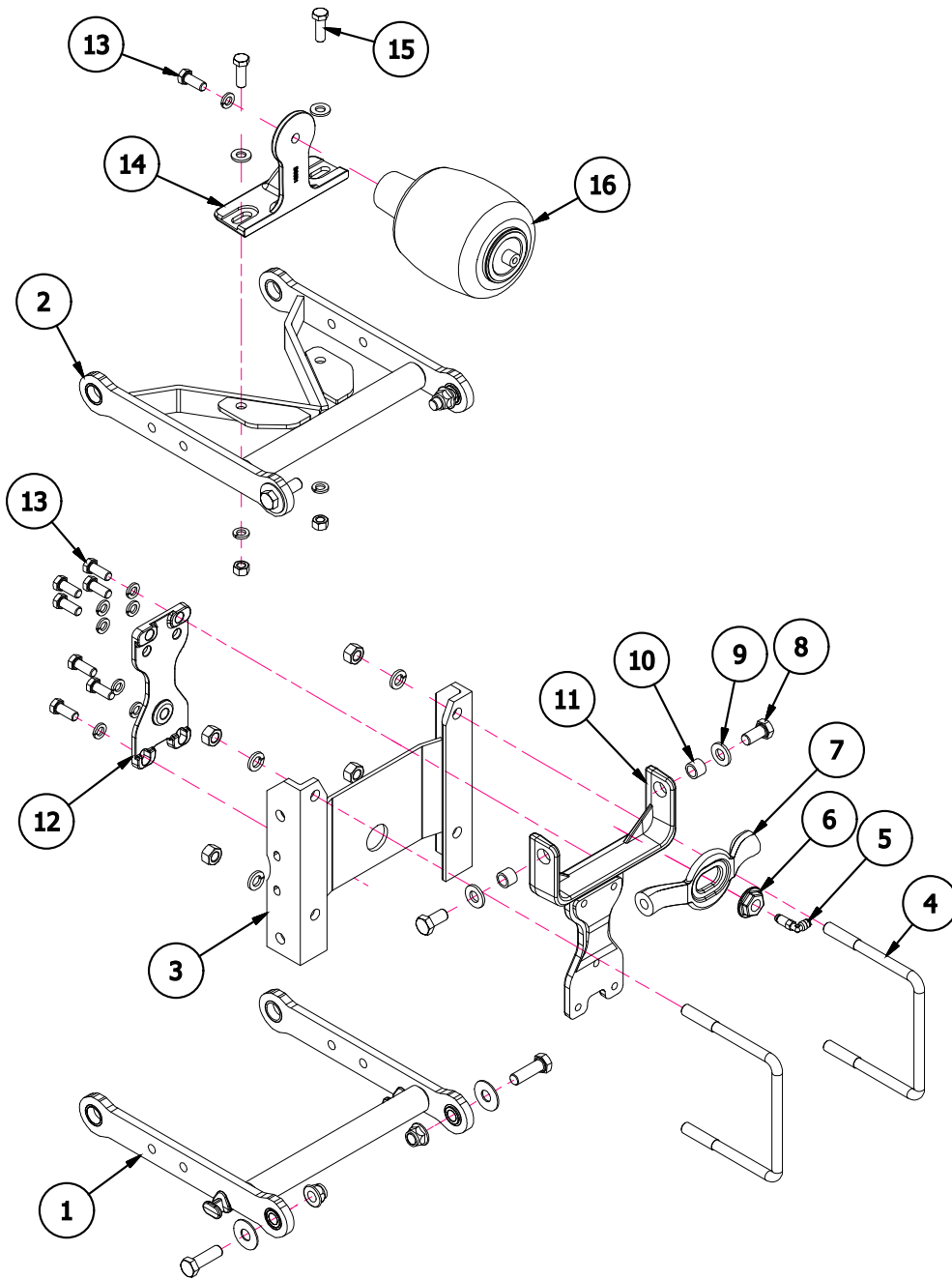
ITEM	PART NO.	QTY.	DESCRIPTION
1	GD35211	-	Downforce Cylinder Mount
2	GB0389	-	Plate
3	GA25240	-	Rod Mount
4	---	-	---
5	GA25261	-	<a href="#">See "Hydraulic Down Force Cylinder" on page P178</a>
6	GA25384	-	Hammer Strap Pin
7	GA25265	-	<a href="#">See "Row Unit Control Blocks" on page P204</a>
8	GD26970	-	Pin, 5/8" x 2-1/2"
9	G10567	-	External Retaining Ring, 5/8"
10	G10918	-	Machine Bushing, 5/8", 14 Gauge (.0747")
11	G6400-04	-	Connector W/O-Ring, 7/16"-20 Male JIC To O-Ring
12	G6801-04-04	-	90° Adjustable Elbow, 7/16"-20
13	G10184801	-	Offset Hinge Mount Plate
14	G10184901	-	Offset Hinge Mount Plate
15	---	-	---
16	G10228	-	Lock Washer, 1/2"
17	G10017	-	Hex Head Cap Screw, 1/2"-13 x 1/2"
18	G11389	-	Flat Washer, 1/2" Plated SAE
19	G10071	-	Serrated Flange Nut, 1/2"-13
20	G10621	-	Serrated Flange Nut, 1/4"-20
21	G10021	-	Hex Head Cap Screw, 1/4"-20 x 1 1/2"
22	G11385	-	Flat Washer, 1/4" SAE
23	G10018	-	Hex Head Cap Screw, 5/16"-18 x 5/8"
24	G11386	-	Flat Washer, 5/16" SAE
25	G10291001	-	Extended Block L.H. Mount

# Push Row Unit Pneumatic Downpressure

Model 3605

M0312-02

(IP1641)



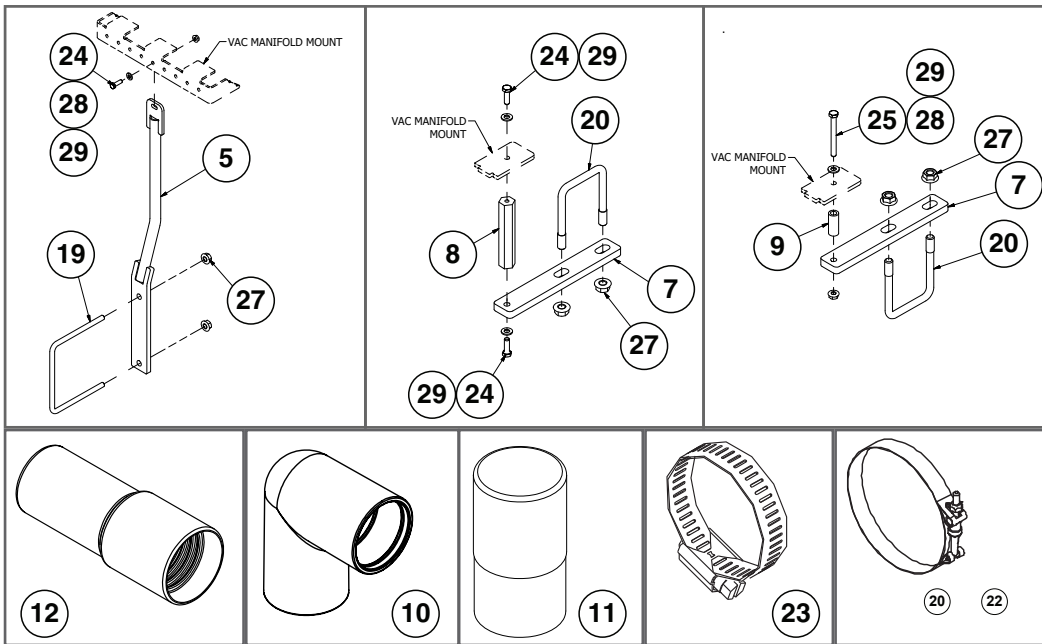
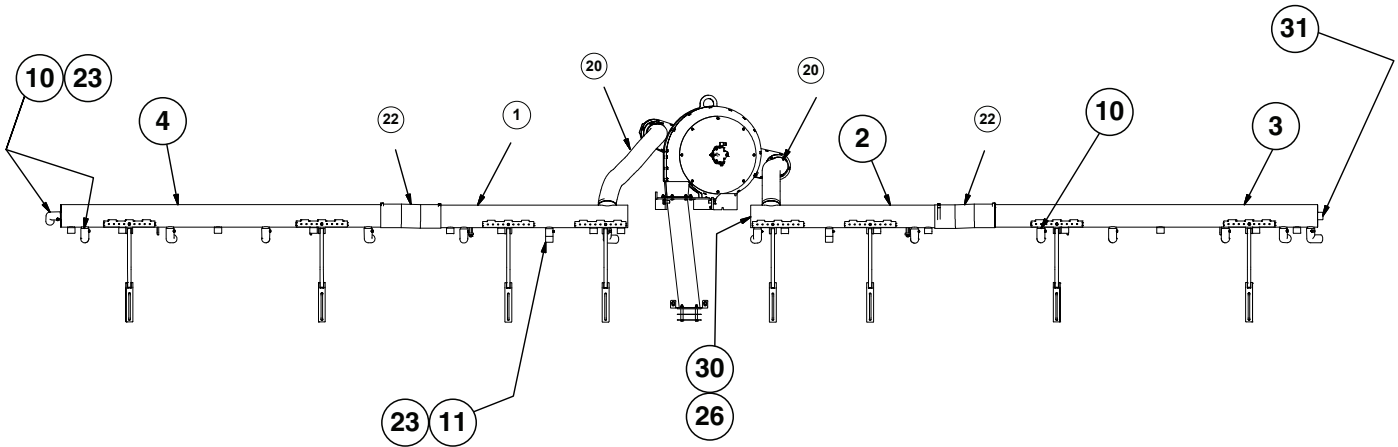
## Push Row Unit Pneumatic Downpressure

M0312-02

Model 3605

ITEM	PART NO.	QTY.	DESCRIPTION
1	---	-	<a href="#">See "Split Row Push Unit Assembly" on page P63</a>
2	---	-	<a href="#">See "Split Row Push Unit Assembly" on page P63</a>
3	GA11971	1	Mount Plate
4	GD1113	2	U-Bolt, 4" x 7" x 1/2"-13
	G10230	4	Lock Washer, 5/8"
	G10104	4	Hex Nut, 5/8"-11
5	GD18011	1	Elbow, 3/8" x 1/8" NPT Extended
6	GB0397	1	Shoulder Nut, 3/4"-16
7	GB0392	1	Yoke
8	G11018	2	Hex Head Cap Screw, 5/8"-18 x 1 1/4"
9	G11391	2	Flat Washer, 5/8" SAE
10	GD3180-30	2	Sleeve, 7/8" O.D. x 5/8" I.D. x 21/32"
11	GB0390	1	Yoke Mount
12	GB0389	1	Plate
13	G10037	8	Hex Head Cap Screw, 1/2"-13 X 1 1/4"
	G10228	10	Lock Washer, 1/2"
14	GB0391	1	Mount
15	G10017	2	Hex Head Cap Screw, 1/2"-13 x 1 1/2"
	G11389	2	Flat Washer, 1/2" Plated SAE
	G10102	2	Hex Nut, 1/2"-13
16	GA11982	1	Air Spring Assembly

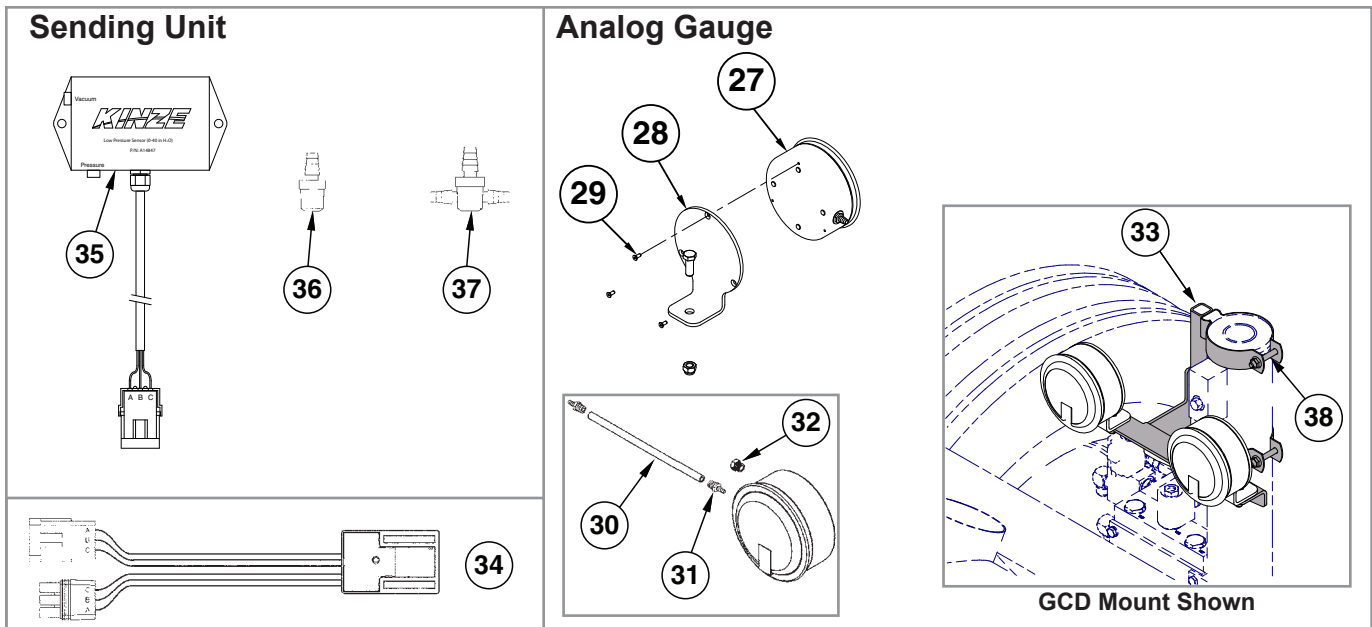
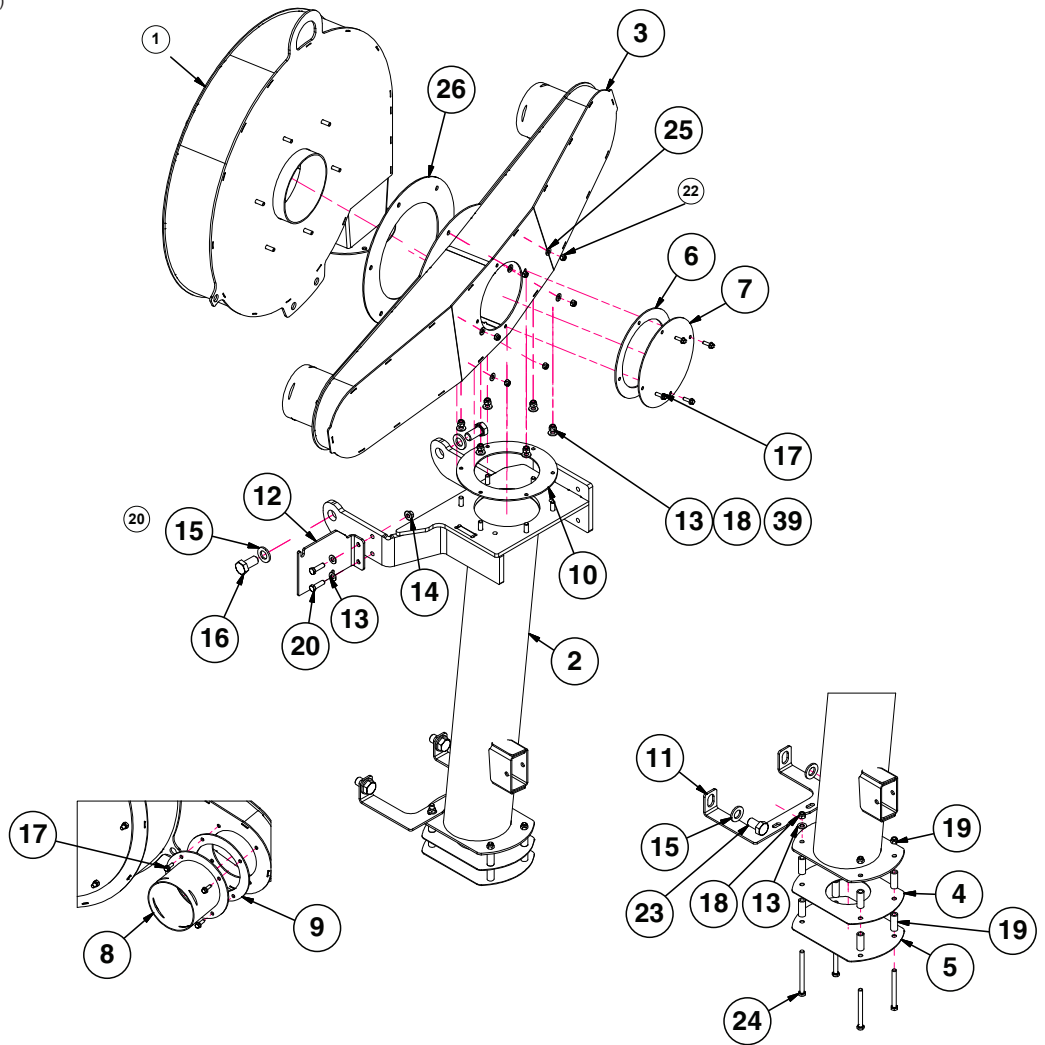
(103230)





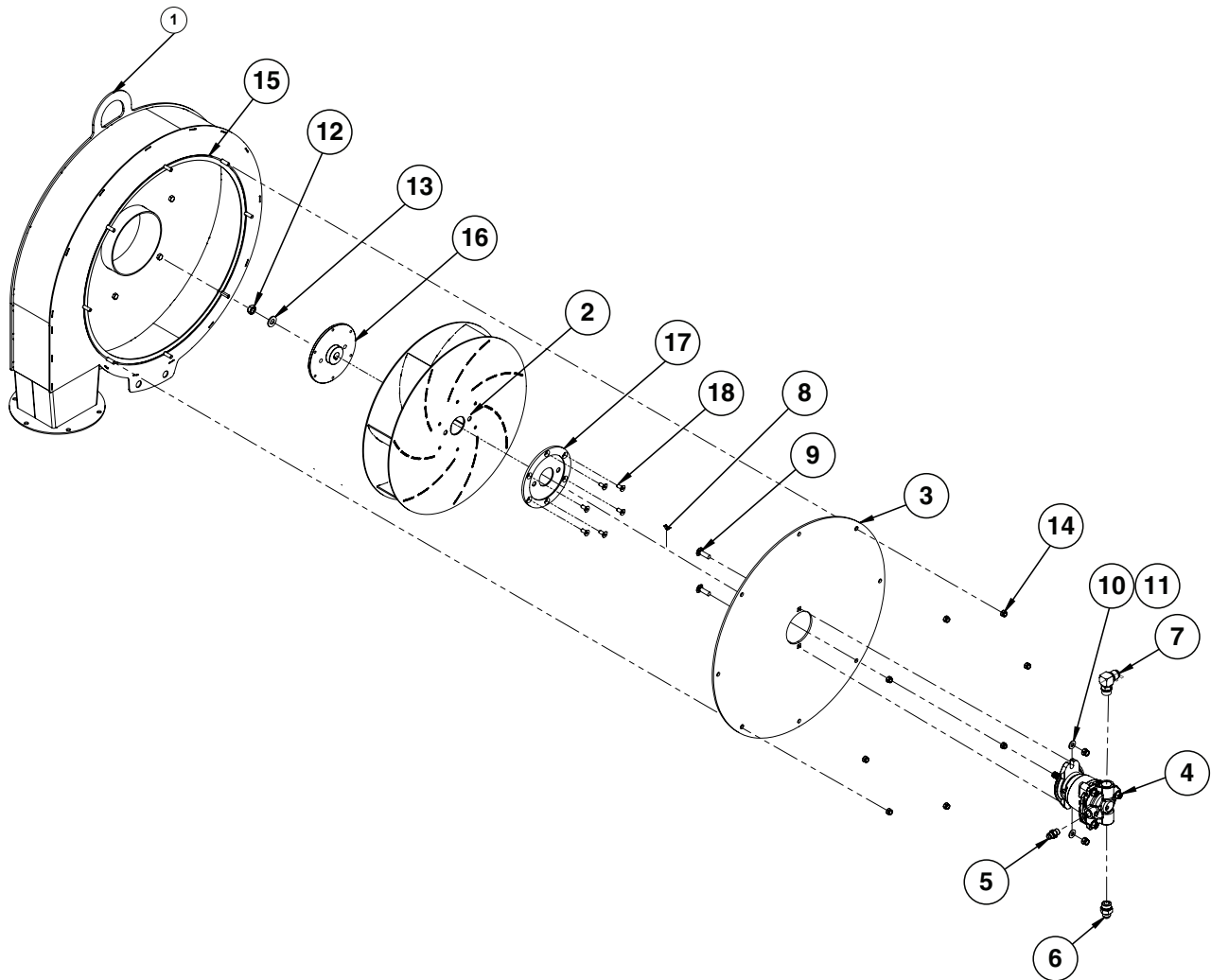
ITEM	PART NO.	QTY.	DESCRIPTION
1	G10174801	1	Vacuum Manifold, Inner R.H.
2	G10174901	1	Vacuum Manifold, Inner L.H.
3	G10175101	1	Vacuum Manifold, Outer L.H., 16R
	G10175901	1	Vacuum Manifold, Outer L.H., 12R
4	G10175001	1	Vacuum Manifold, Outer R.H., 16R
	G10175801	1	Vacuum Manifold, Outer R.H., 12R
5	G10117601	8	Mainframe Manifold Mount
6	---	-	---
7	GD20722	6	Wing Manifold Mount
8	GD26706	2	Tapped Hex Spacer
9	GD2971-21	4	Sleeve, 5/8" x .385" x 1-1/2"
10	GB1313	-	Elbow, 90°, 1.5"
11	GD31424	2	Screw Cuff, 2"
12	GB1216	-	Screw Cuff, 1.5" <b>(True Rate)</b>
	GB1249	-	Screw Cuff, 1.5" <b>(True Speed)</b>
13	---	-	---
14	---	-	---
15	---	-	---
16	---	-	---
17	---	-	---
18	---	-	---
19	GD11721	8	U-Bolt, 5" x 7" x 1/2"-13
20	GD4743	6	U-Bolt, 3" x 3" x 1/2"-13
21	G11188	4	T-Bolt Clamp, 5 1/4"
22	G11146	4	T-Bolt Clamp, 6 3/4"
23	G10676	-	Hose Clamp, No. 36, Stainless Steel
24	G10019	12	Hex Head Cap Screw, 5/16"-18 x 1"
25	G10755	4	Hex Head Cap Screw, 5/16"-18 x 3"
26	G10034	1	Hex Head Cap Screw, 3/8"-16 x 1/2"
27	G10071	28	Serrated Flange Nut, 1/2"-13
28	G10620	12	Serrated Flange Nut, 5/16"-18
29	G11386	16	Flat Washer, 5/16" SAE
30	G11387	1	Flat Washer, 3/8" SAE
31	G11147	-	Cap, 2"

(IP1234-5/A11156/GR1736/A10765/10365401)



ITEM	PART NO.	QTY.	DESCRIPTION
1	---	-	<a href="#">See "Vacuum Fan Assembly" on page P87</a>
2	G10364801	1	Vacuum Fan Mount
3	G10225101	1	Snorkel
4	G10188801	1	Ring Diffuser
5	G10188701	1	Cap Diffuser
6	GD19470	1	Flange Seal, 4 Bolt
7	GD19469	1	Snorkel Access Cover
8	GA13667	2	Snorkel Flange
9	GD19460	2	Flange Seal, 4 Bolt
10	G10083301	1	Flange Seal, 6 Bolt
11	G10244501	1	Diffuser Mount Bracket
12	G10307901	1	Hydraulic Block Mount
13	G11387	10	Flat Washer, 3/8" SAE
14	G11091	2	Serrated Flange Nut, 3/8"-16
15	G11392	4	Flat Washer, 3/4" SAE
16	G10025	2	Hex Head Cap Screw, 3/4"-10 x 1 1/2"
17	G11166	12	Hex Socket Flange Cap Screw, 1/4"-20 x 3/4"
18	G10108	10	Lock Nut, 3/8"-16
19	GD2971-26	8	Sleeve, 3/8" I.D x 5/8" O.D. x 1.63" Long
20	G10004	8	Hex Head Cap Screw, 3/8"-16 x 1 1/4"
21	GD20539	2	Bushing
22	G10109	6	Lock Nut, 5/16"-18, Grade 8
23	G10156	2	Hex Head Cap Screw, 3/4"-10 x 1 1/4"
24	G10753	4	Hex Head Cap Screw, 3/8"-16 x 4 1/2"
25	G11386	6	Flat Washer, 5/16" SAE
26	G10117801	1	Gasket Spacer
27	GA21406	1	Pressure Gauge W/Hose Barb
	GR1777	-	Hose Barb, 3/16" x 1/8" NPT
28	GD15804	1	Mount
	G10108	1	Lock Nut, 3/8"-16
	G10004	1	Hex Head Cap Screw, 3/8"-16 x 1 1/4"
29	G11215	3	Hex Socket Head Cap Screw, No. 6-32 x 3/8", Grade 8
30	GD15849-02	1	Clear Tubing, 5/16" O.D. x 3/16" I.D. x 120"
31	GR1777	-	Hose Barb, 1/8" Male NPT To 3/16" Barb
32	GA10799	1	Breather, 1/8" Male NPT
33	G10437701	1	Pressure Gauge Mount
34	GA12812	-	Hall Effect Adapter
35	GA14847	1	Low Pressure Sensor (0-40 IN H <sub>2</sub> O) (Replaces GA12811)
	GD17151-20	-	Tubing, 1/4" x 10', (Only with GA14847)
	GD16324-01	-	Clear Plastic Tubing, 1/4" x 45"
	GA9964	-	Strain Relief
	G1K248	-	3-Pin Female Connector Kit (Black), Includes: (3) 3-Pin Female Housings, (9) Pin Contacts, (9) Seals
36	GR1736	1	Hose Barb, 1/8" Male NPT To Barb
37	GD21278	-	Reducing Tee, 3/16" x 1/8"
38	G10041	2	Hex Head Cap Screw, 5/16"-18 x 2"
	G10620	2	Serrated Flange Nut, 5/16"-18
39	G10776	6	Hex Head Cap Screw, 3/8"-16 x 1 1/4"

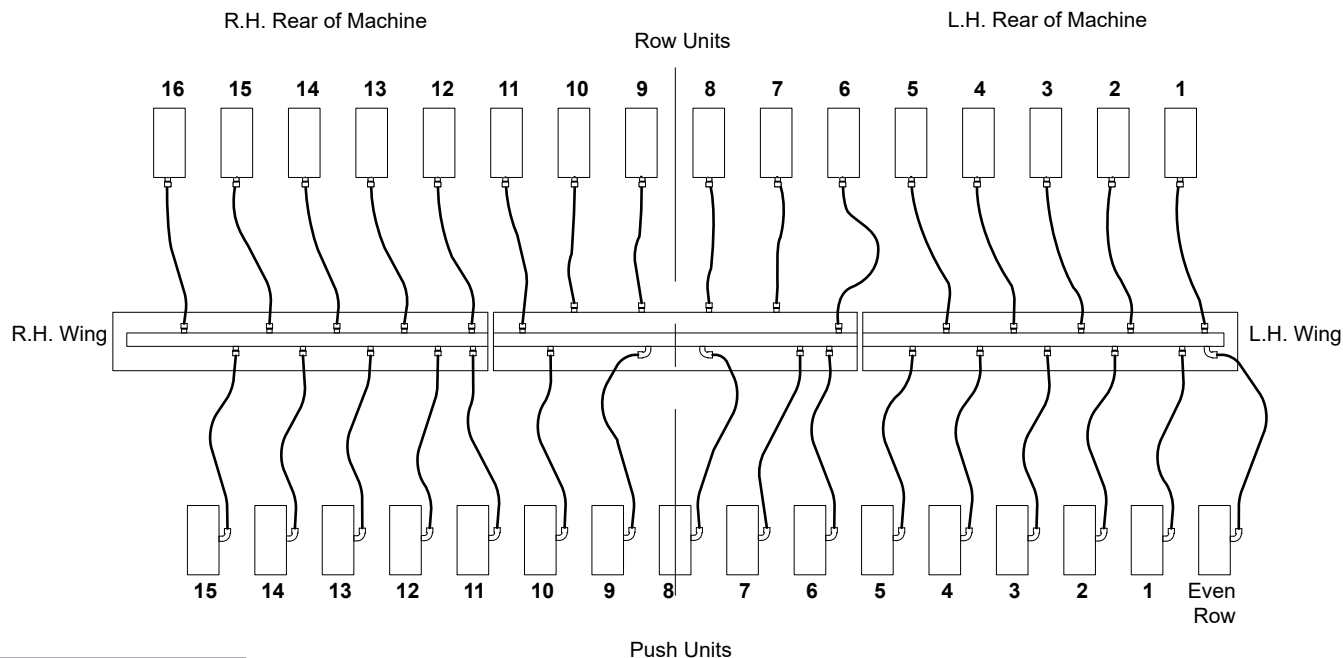
(10341501/10341601)



ITEM	PART NO.	QTY.	DESCRIPTION
1	G10341401	1	Vacuum Fan Housing
2	G10341101	1	Vacuum Fan Impellor
3	G10341001	1	Motor Mount Cover
4	GA24543	1	Hydraulic Motor
	GR2333	-	Seal Kit
5	G6400-06-VT	1	Connector W/O-Ring, 9/16"-18 Male JIC To O-Ring
	GR1045	-	O-Ring
6	G6400-08-10	1	Connector W/O-Ring, 3/4"-16 Male JIC To 7/8"-14 O-Ring
	GR1466	-	O-Ring
7	G6801-10	1	Elbow W/O-Ring, 90°, 7/8"-14 Male JIC To O-Ring
	GR1466	-	O-Ring
8	GR2314	1	Key
9	G10599	2	Carriage Bolt, 3/8"-16 x 1 1/4"
10	G10901	2	Lock Nut, 3/8"-16
11	G11387	2	Hardened Washer, 3/8" SAE
12	G11704	1	Hex Jam Nut, 1/2"-20, Grade 2
13	G11389	1	Flat Washer, 1/2" Plated SAE
14	G11182	8	Lock Nut W/Nylon Insert, 5/16"-18
15	GD27215	1	Silicone Sealer, Dow Corning 732, Clear
16	GD35847	1	Impellor Hub
17	G10234201	1	Backing Plate
18	G11133		Hex Socket Head Cap Screw, 5/16"-18 x 3/4", Grade 8

(IP1109/103230)

16 Row Shown, 12 Row does not use outside two rows.



**ROW UNITS**

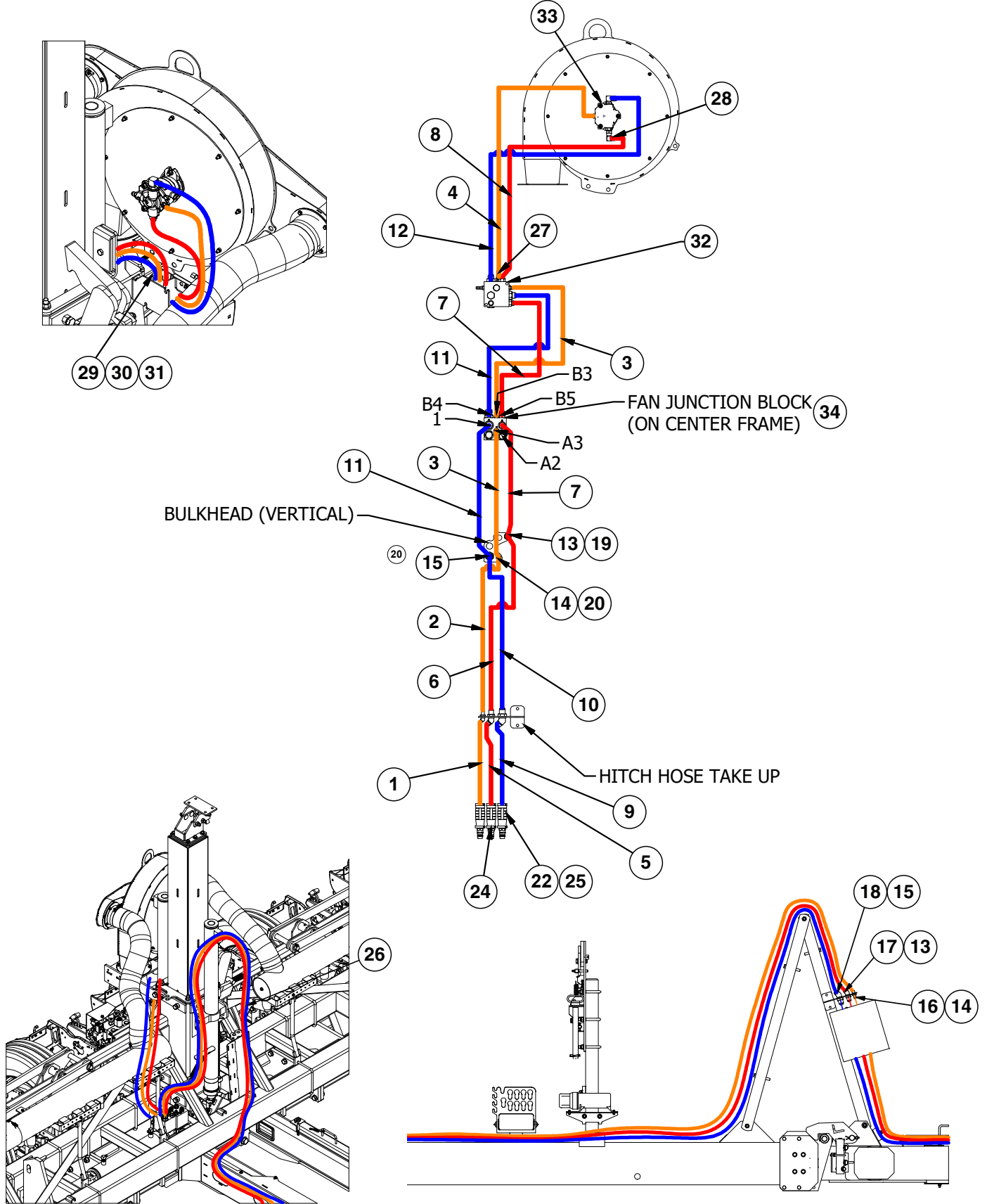
ROW#	PART NO.	DESCRIPTION
1	*GD36495-70	Vacuum Hose, 1-1/2" I.D. x 70"
2	*GD36495-46	Vacuum Hose, 1-1/2" I.D. x 46"
3	*GD36495-46	Vacuum Hose, 1-1/2" I.D. x 46"
4	*GD36495-46	Vacuum Hose, 1-1/2" I.D. x 46"
5	*GD36495-46	Vacuum Hose, 1-1/2" I.D. x 46"
6	*GD36495-50	Vacuum Hose, 1-1/2" I.D. x 50"
7	*GD36495-55	Vacuum Hose, 1-1/2" I.D. x 55"
8	*GD36495-50	Vacuum Hose, 1-1/2" I.D. x 50"
9	*GD36495-50	Vacuum Hose, 1-1/2" I.D. x 50"

**PUSH UNITS**

ROW#	PART NO.	DESCRIPTION
1	*GD36495-46	Vacuum Hose, 1-1/2" I.D. x 46"
2	*GD36495-36	Vacuum Hose, 1-1/2" I.D. x 36"
3	*GD36495-36	Vacuum Hose, 1-1/2" I.D. x 36"
4	*GD36495-36	Vacuum Hose, 1-1/2" I.D. x 36"
5	*GD36495-46	Vacuum Hose, 1-1/2" I.D. x 46"
6	*GD36495-42	Vacuum Hose, 1-1/2" I.D. x 42"
7	*GD36495-42	Vacuum Hose, 1-1/2" I.D. x 42"
8	*GD36495-70	Vacuum Hose, 1-1/2" I.D. x 70"
9	*GD36495-50	Vacuum Hose, 1-1/2" I.D. x 50"
10	*GD36495-42	Vacuum Hose, 1-1/2" I.D. x 42"
11	*GD36495-36	Vacuum Hose, 1-1/2" I.D. x 36"
12	*GD36495-36	Vacuum Hose, 1-1/2" I.D. x 36"
13	*GD36495-36	Vacuum Hose, 1-1/2" I.D. x 36"
14	*GD36495-36	Vacuum Hose, 1-1/2" I.D. x 36"
15	*GD36495-36	Vacuum Hose, 1-1/2" I.D. x 36"
Even row	*GD36495-70	Vacuum Hose, 1-1/2" I.D. x 70"

\*Orderable in bulk as GD36495-600 (600").

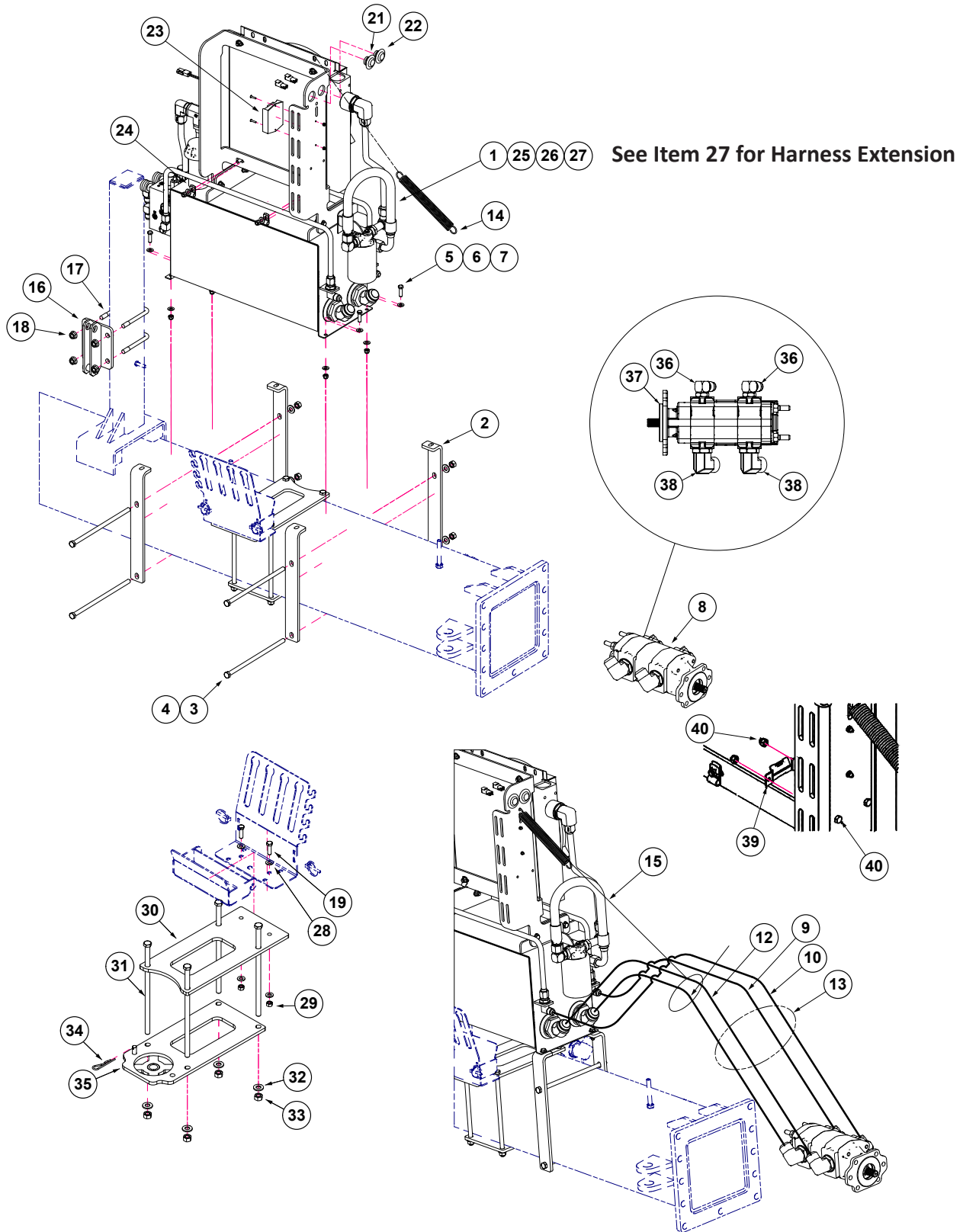
(10188301)



ITEM	PART NO.	QTY.	DESCRIPTION
1	*A26938-250 *A26938-237	1 1	Hose Assembly, 3/8" x 250" (08F - 1/2 Male NPTF), W/Extension, W/Tip, 16 Row Hose Assembly, 3/8" x 237" (08F - 1/2 Male NPTF), W/Extension, W/Tip, 12 Row
2	*A12096 *A15064	1 1	Hose Assembly, 3/8" x 140" (06F - 06F), 16 Row Hose Assembly, 3/8" x 130" (F - 06F), 12 Row
3	*A12094	2	Hose Assembly, 3/8" x 73" (06F - 06F)
4	*A12002	1	Hose Assembly, 3/8" x 32" (06F - 06F)
5	*A18693-250 *A18693-237	1 1	Hose Assembly, 1/2" x 250" (10F - 1/2 Male NPTF), W/Extension, W/Tip, 16 Row Hose Assembly, 1/2" x 237" (10F - 1/2 Male NPTF), W/Extension, W/Tip, 12 Row
6	*A12751 *A1478	1 1	Hose Assembly, 1/2" x 142 1/2" (10F-10F), 16 Row Hose Assembly, 1/2" x 128" (10F-10F), 12 Row
7	*A1464	2	Hose Assembly, 1/2" x 72" (10F-10F)
8	*A12745	1	Hose Assembly, 1/2" x 22" (08F-10F)
9	*A21548-250 *A21548-237	1 1	Hose Assembly, 5/8" x 250" (12F - 1/2 Male NPTF), W/Extension, W/Tip, 16 Row Hose Assembly, 5/8" x 237" (12F - 1/2 Male NPTF), W/Extension, W/Tip, 12 Row
10	*A11442 *A11459	1 1	Hose Assembly, 5/8" x 137 1/2" (12F-12F), 16 Row Hose Assembly, 5/8" x 123" (12F-12F), 12 Row
11	*A11443	2	Hose Assembly, 5/8" x 73" (12F-12F)
12	*A21541-28	1	Hose Assembly, 5/8" x 28" (10F - 12F)
13	G306-10	2	Lock Nut, 7/8"-14
14	G306-06	2	Lock Nut, 9/16"-18
15	G306-12	2	Lock Nut, 1 1/16"-12
16	G2702-06	1	Bulkhead Elbow, 45°, 9/16"-18 Male JIC
17	G2702-10	1	Bulkhead Elbow, 45°, 7/8"-14 Male JIC
18	G2702-12	1	45° Bulkhead Tube Union, 11/16"-12 Male JIC
19	G2700-10	1	Bulkhead Tube Union, 7/8"-14 Male JIC
20	G2700-06-06	1	Bulkhead Tube Union, 9/16"-18 Male JIC
21	G2700-12	1	Bulkhead Tube Union, 1 1/16"-12 Male JIC
22	GD25522	1	Hydraulic Tip Cover
23	---	-	---
24	GA26924-05		Hose Label Cover Assembly, Green Extend
25	GA26924-06		Hose Label Cover Assembly, Green Retract
26	GD19383-03	1	Hose Wrap, 60"
27	G6500-06	1	Swivel Elbow, 90°, 9/16"-18 Male JIC To Female
28	G6500-08	1	Swivel Elbow, 90°, 3/4"-16 Male JIC To Female
29	G2408-06	2	Plug, 9/16"-18 JIC
30	G2408-10	2	Plug, 7/8"-14 JIC
31	G2408-12	2	Plug, 1 1/16"-12 JIC
32	---	-	<a href="#">See "Vacuum Fan Motor Valve Block Assembly (Located Below Vacuum Fan Motor Assembly), Ground Contact Drive" on page P189</a> <a href="#">See "Vacuum Fan Motor Valve Block Assembly (Located Below Vacuum Fan Motor Assembly), Blue Drive" on page P19</a>
33	---	-	<a href="#">See "Vacuum Fan Assembly" on page P87</a>
34	---	-	<a href="#">See "Valve Blocks - Located on R.H. Rear Center Frame" on page P181</a>

\* Hydraulic hose is not stocked by Kinze Repair Parts.

(103851/103387/103372)

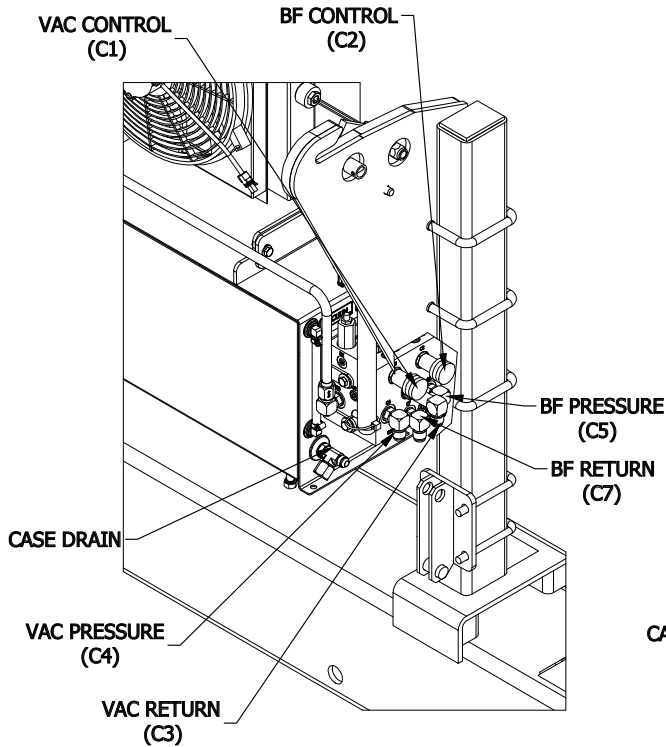
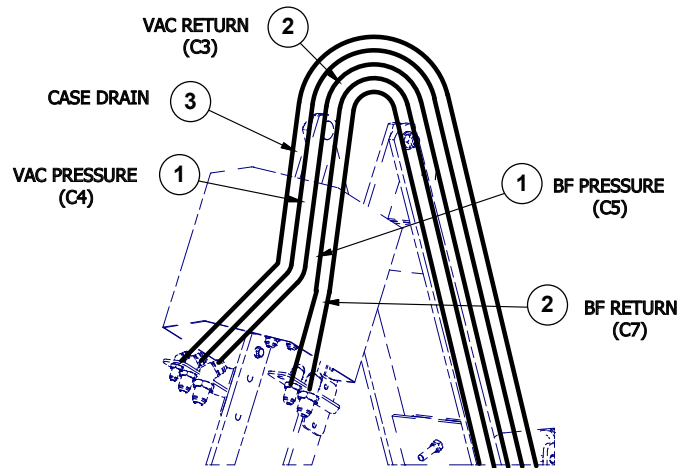




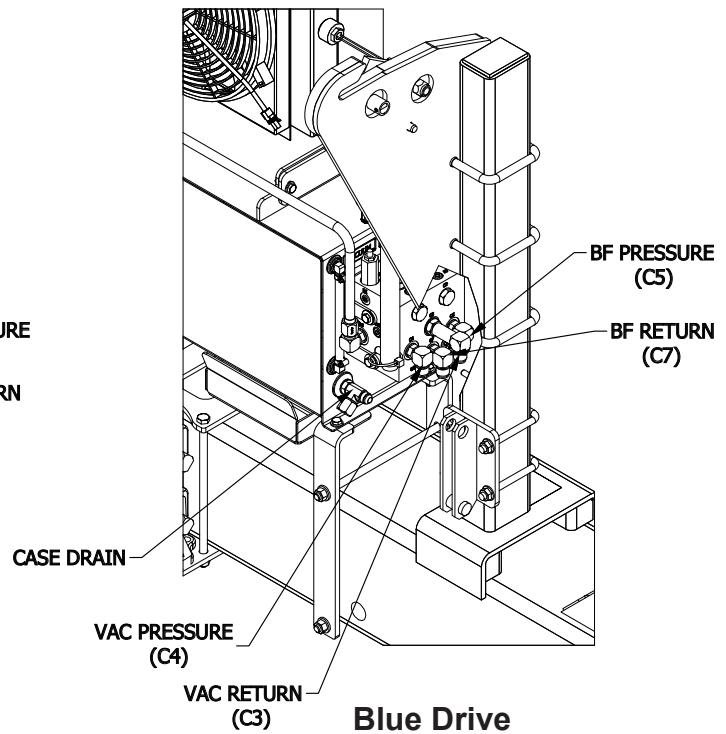
ITEM	PART NO.	QTY.	DESCRIPTION
1	---	-	<a href="#">See "Dual Stage PTO Oil Reservoir Assembly" on page P97</a>
2	G10216901	4	PTO Tank Mount Bracket
3	G11158	4	Hex Head Cap Screw, 1/2"-13 x 1 1/2"
4	G10102	4	Hex Nut, 1/2"-13
5	G10004	4	Hex Head Cap Screw, 3/8"-16 x 1 1/4"
6	G11387	8	Flat Washer, 3/8" SAE
7	G10108	4	Lock Nut, 3/8"-16
8	G10288501	1	PTO Pump W/Fittings
9	*A25707-68	1	Hose Assembly, 1/2" AR x 68" (10F45 - 12F)
10	*A25707-72	1	Hose Assembly, 1/2" AR x 72" (10F45 - 12F)
11	*A11810-68	1	Hose Assembly, 1" x 68 (20F - 20F)
12	*A11810-72	1	Hose Assembly, 1" x 72" (20F - 20F)
13	GD19383-03	1	Hose Wrap, 60"
14	GD0829	1	Spring
15	GA14152	1	Hose Strap
16	GA11528	1	Bracket
17	GD16642	2	U-Bolt, 3" x 4" x 1/2"-13
18	G10071	4	Serrated Flange Nut, 1/2"-13
19	G10004	2	Hex Head Cap Screw, 3/8"-16 x 1 1/4"
20	G11389	4	Flat Washer, 1/2" Plated SAE
21	G10098401	1	PTO Red Light Harness
22	G10098301	1	PTO Green Light Harness
23	G10396901	1	Reverser Module
24	GD6291	2	Insulated Clamp, 3/8"
25	G10049501	1	Tractor Battery Connection Harness and Fuse Kit
26	G10724901	1	Tractor Power Harness
27	G10649801	1	PTO Harness
	G10737701	-	PTO Harness Extension (for articulated tractors)
28	G11387	4	Hardened Washer, 3/8" SAE
29	G10101	2	Hex Nut, 3/8"-16
30	G10337601	1	PTO Pump Mount Top Plate
31	G11158	4	Hex Head Cap Screw, 1/2"-13 x 1 1/2"
32	G11389	4	Flat Washer, 1/2" Plated SAE
33	G10102	4	Hex Nut, 1/2"-13
34	G10592	1	Hair Pin Clip, No. 11
35	G10337301	1	PTO Pump Mount Lower Plate
36	G6801-12	2	Elbow W/O-Ring, 90°, 1 1/16"-12 Male JIC To O-Ring
37	G10285701	1	Gear Pump, 3.45 in <sup>3</sup>
38	G6801-20	2	Elbow W/O-Ring, 90°, 1 5/8"-12 Male JIC To O-Ring
39	G10567801	1	Relay Module Mount Bracket
40	G10110	2	Lock Nut, 1/4"-20, Grade B
41	G10023	2	Hex Head Cap Screw, 1/4"-20 x 3/4"

\* Hydraulic hose is not stocked by Kinze Repair Parts.

(103363)



Ground Contact Drive



Blue Drive

ITEM	PART NO.	QTY.	DESCRIPTION
1	*A18666-90	2	Hose Assembly, 1/2" x 90" (10F - 10F), 12 Row
	*A18666-130	2	Hose Assembly, 1/2" x 130" (10F - 10F), 16 Row
2	*A25487-90	2	Hose Assembly, 5/8" x 90" (10F - 12F), 12 Row
	*A25487-130	2	Hose Assembly, 5/8" x 130" (10F - 12F), 16 Row
3	*A15092-90	1	Hose Assembly, 3/8" x 90" (06F - 08F), 12 Row
	*A15092-130	1	Hose Assembly, 3/8" x 130" (06F - 08F), 16 Row

\* Hydraulic hose is not stocked by Kinze Repair Parts.

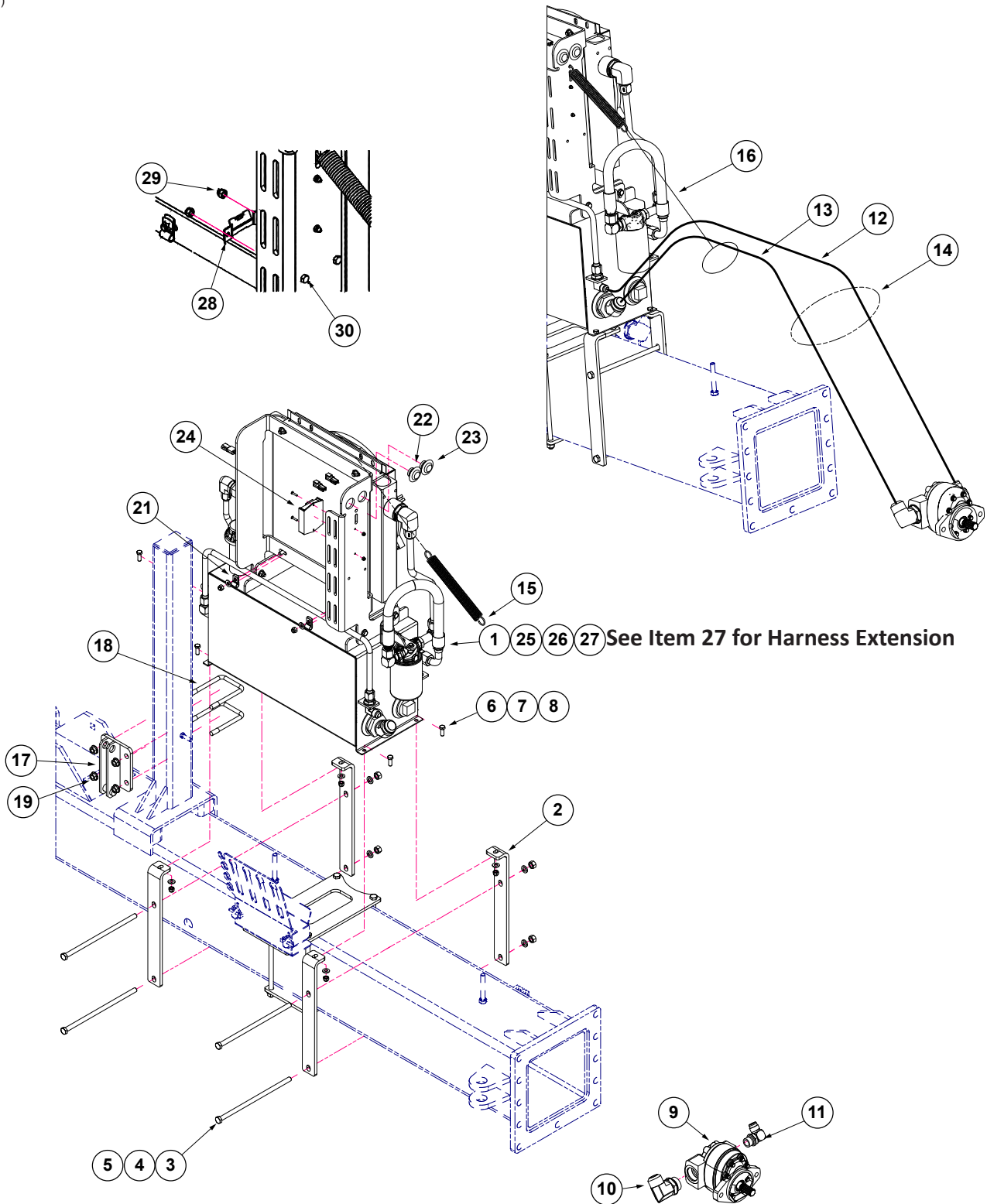
**This page left blank intentionally.**

# Single Stage PTO Pump, Oil Cooler & Reservoir

Model 3605

M0312-02

(103850)



## Single Stage PTO Pump, Oil Cooler & Reservoir

M0312-02

Model 3605

ITEM	PART NO.	QTY.	DESCRIPTION
1	---	-	<a href="#">See "Single Stage PTO Oil Reservoir Assembly" on page P99</a>
2	G10216901	4	PTO Tank Mount Bracket
3	G11158	4	Hex Head Cap Screw, 1/2"-13 x 1 1/2"
4	G10228	4	Lock Washer, 1/2"
5	G10102	4	Hex Nut, 1/2"-13
6	G10001	4	Hex Head Cap Screw, 3/8"-16 x 1"
7	G11387	8	Flat Washer, 3/8" SAE
8	G10108	4	Lock Nut, 3/8"-16
9	G10288501	1	PTO Pump W/Fittings
9	*A25707-68	1	Hose Assembly, 1/2" AR x 68" (10F45 - 12F)
10	G6801-20	1	Elbow W/O-Ring, 90°, 1 5/8"-12 Male JIC To O-Ring
11	G6801-12	1	Elbow W/O-Ring, 90°, 1 1/16"-12 Male JIC To O-Ring
12	*A25707-72	1	Hose Assembly, 1/2" AR x 72" (10F45 - 12F)
13	*A11810-72	1	Hose Assembly, 1" x 72" (20F - 20F)
14	GD19383-03	1	Hose Wrap, 60"
15	GD0829	1	Spring
16	GA14152	1	Hose Strap
17	GA11528	1	Bracket
18	GD16642	2	U-Bolt, 3" x 4" x 1/2"-13
19	G10071	4	Serrated Flange Nut, 1/2"-13
21	GD6291	2	Insulated Clamp, 3/8"
22	G10098401	1	PTO Red Light Harness
23	G10098301	1	PTO Green Light Harness
24	G10396901	1	Reverser Module
25	G10049501	1	Tractor Battery Connection Harness and Fuse Kit
26	G10724901	1	Tractor Power Harness
27	G10649801	1	PTO Harness
	G10737701	-	PTO Harness Extension
28	G10567801	1	Relay Module Mount Bracket
29	G10110	2	Lock Nut, 1/4"-20, Grade B
30	G10023	2	Hex Head Cap Screw, 1/4"-20 x 3/4"

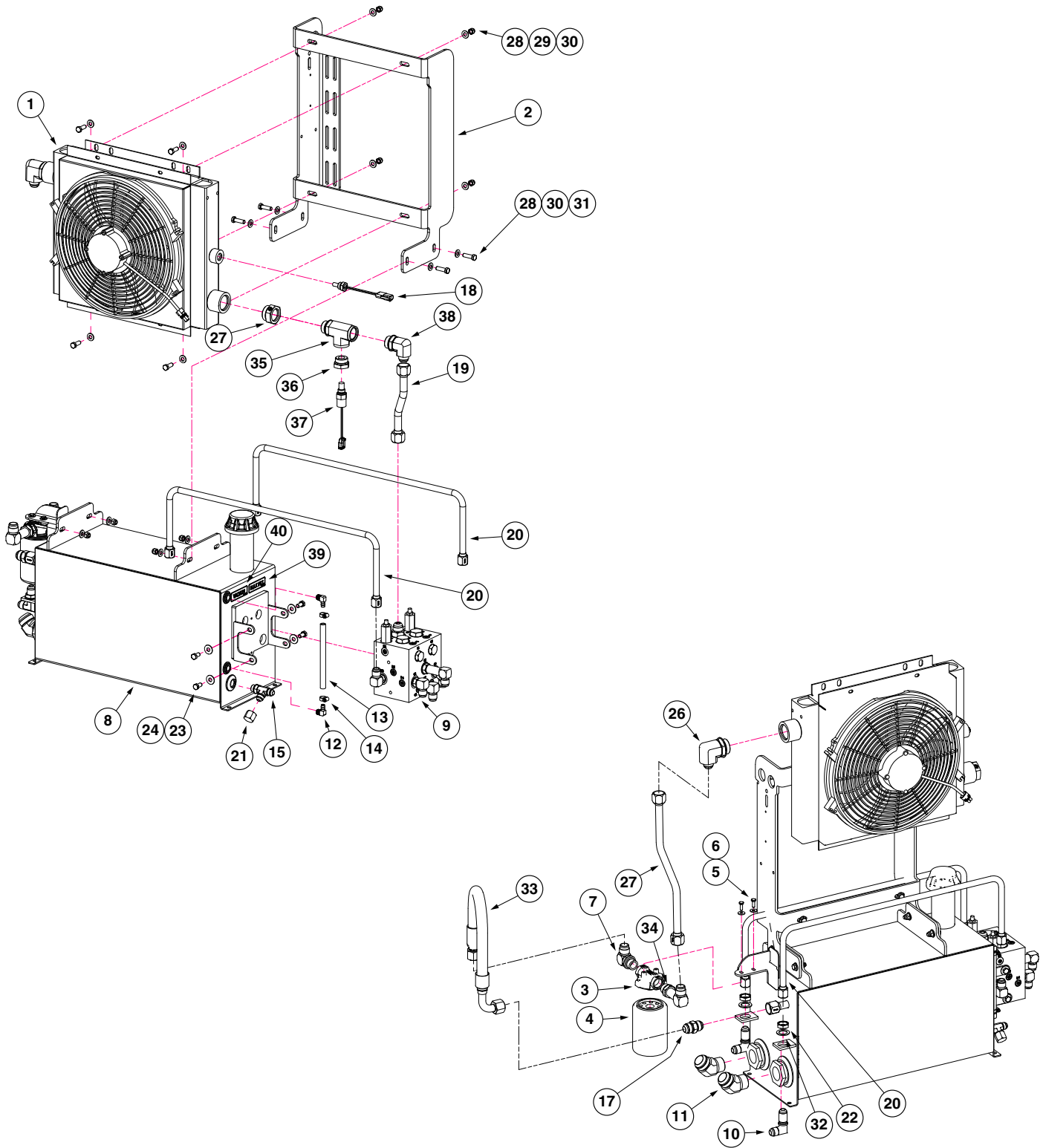
**\* Hydraulic hose is not stocked by Kinze Repair Parts.**

# Dual Stage PTO Oil Reservoir Assembly

Model 3605

M0312-02

(101868/101238)



## Dual Stage PTO Oil Reservoir Assembly

M0312-02

Model 3605

ITEM	PART NO.	QTY.	DESCRIPTION
1	G10207201	1	Cooler and Fan
2	G10395301	1	Cooler Mount Bracket
3	GD16038	1	Filter Head
4	GD16037	1	Oil Filter, 10 Micron
5	G10209	2	Washer, 1/4" USS
6	G10023	2	Hex Head Cap Screw, 1/4"-20 x 3/4"
7	G6801-12	1	Elbow W/O-Ring, 90°, 1 1/16"-12 Male JIC To O-Ring
8	G10395901	1	PTO Reservoir
9	---	-	<a href="#">See "PTO Pump Hydraulic Valve Block (Bulk Fill/Ground Contact Drive)" on page P196</a> <a href="#">See "PTO Pump Hydraulic Valve Block (Bulk Fill/Blue Drive)" on page P195</a>
10	G2701-10	2	Elbow, 90°, 7/8"-14 Male JIC
11	G2503-20	2	Elbow, 45°, 1-5/8"-12 Male JIC x 1-1/4" Male NPT
12	GD35381	2	3/8" O.D. Brass Barbed x 1/4" NPT 90° Elbow
13	GD6279-07	1	Clear Plastic Tubing, 3/8" x 7-1/4"
14	G10331001	2	Hose Clamp #4, 5/8"-1/4" x 5/16"
15	G6804-08	1	Adjustable Tee, 3/4"-16 Male JIC To O-Ring
16	---	-	---
17	G2403-12	1	Union, 1 1/16"-12 Male JIC
18	G10087001	1	Temperature Sensor, 100°
19	G10395801	1	Steel Hydraulic Line, 3/4"
20	G10211501	2	Steel Hydraulic Line, 5/8"
21	G304-C-8	1	Cap Nut, 3/4"-16
22	G306-10	2	Lock Nut, 7/8"-14
23	G10210	4	Washer, 3/8" USS
24	G10002	4	Hex Head Cap Screw, 3/8"-16 x 3/4"
25	G6410-20-16	1	Adapter, 1-5/8"-12 O-Ring x 1-5/16"-12
26	G6801-12-20	1	Adjustable Elbow, 90°, 1-1/16"-12 x 1-5/8"-12 O-Ring
27	G10194501	1	Steel Hydraulic Line, 3/4"
28	G11387	16	Flat Washer, 3/8" SAE
29	G10001	4	Hex Head Cap Screw, 3/8"-16 x 1"
30	G10108	8	Lock Nut, 3/8"-16
31	G10004	4	Hex Head Cap Screw, 3/8"-16 x 1 1/4"
32	G10235	2	Machine Bushing, 7/8", 14 Gauge (.0747")
33	*A12937-24	1	Hose Assembly, 3/4" x 24" (12F - 12F90S)
34	G6801-LL-12	1	Adjustable Elbow, 1-1/16"-12 x 1-1/16"-12 O-Ring
35	G6835-16-16-16	1	Tee, 1-5/16" O-Ring
36	G6410-16-08	1	Adapter, 1-5/16"-12 O-Ring x 3/4"-16
37	G10098201	1	Temperature Sensor, 200°
38	G6801-12-16	1	Adjustable Elbow, 90°, 1-5/16"-12 O-Ring
39	G10371401	1	Decal, Vacuum
40	G10371601	1	Decal, Bulk Fill

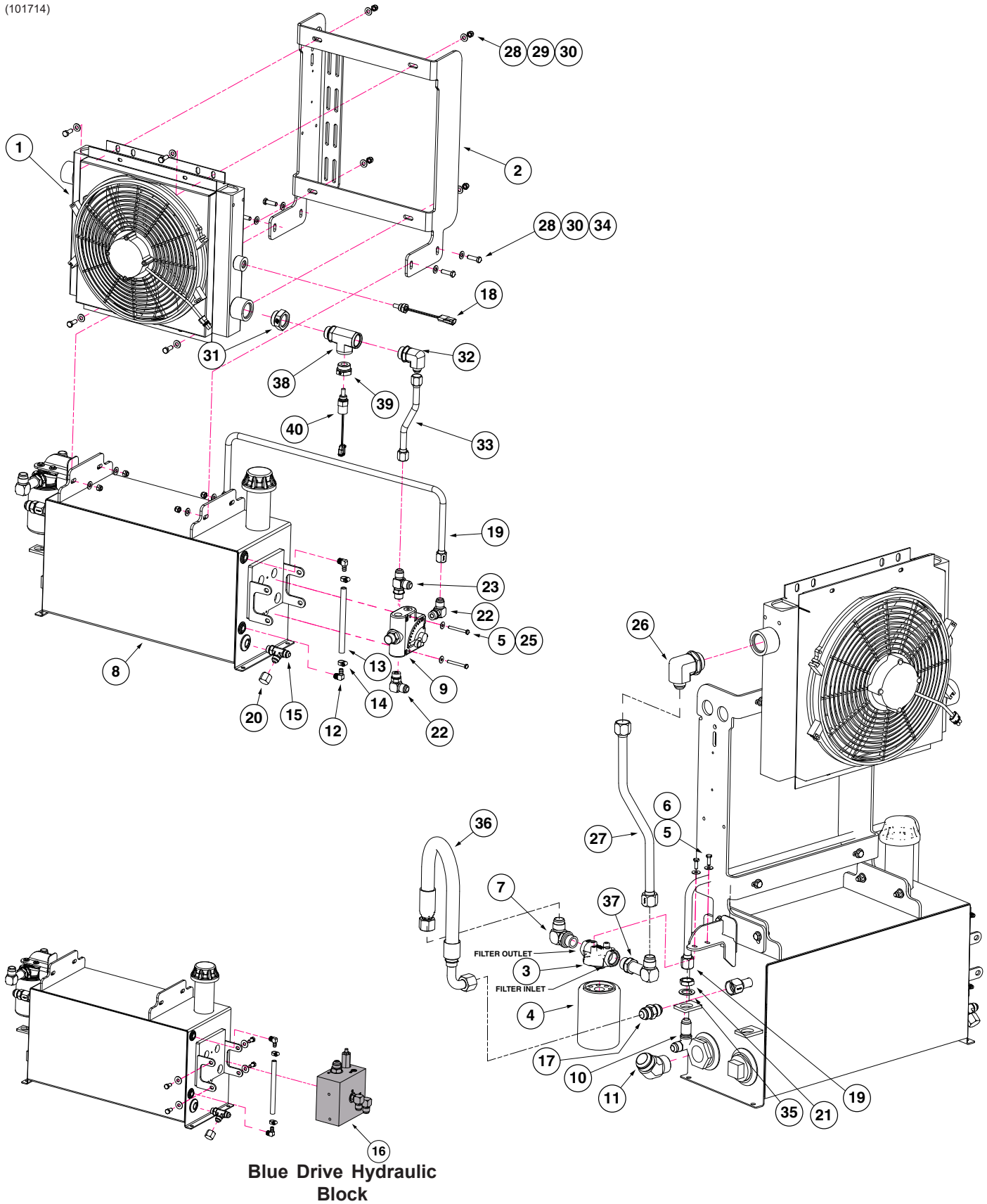
\* Hydraulic hose is not stocked by Kinze Repair Parts.

# Single Stage PTO Oil Reservoir Assembly

Model 3605

M0312-02

(101714)





## Single Stage PTO Oil Reservoir Assembly

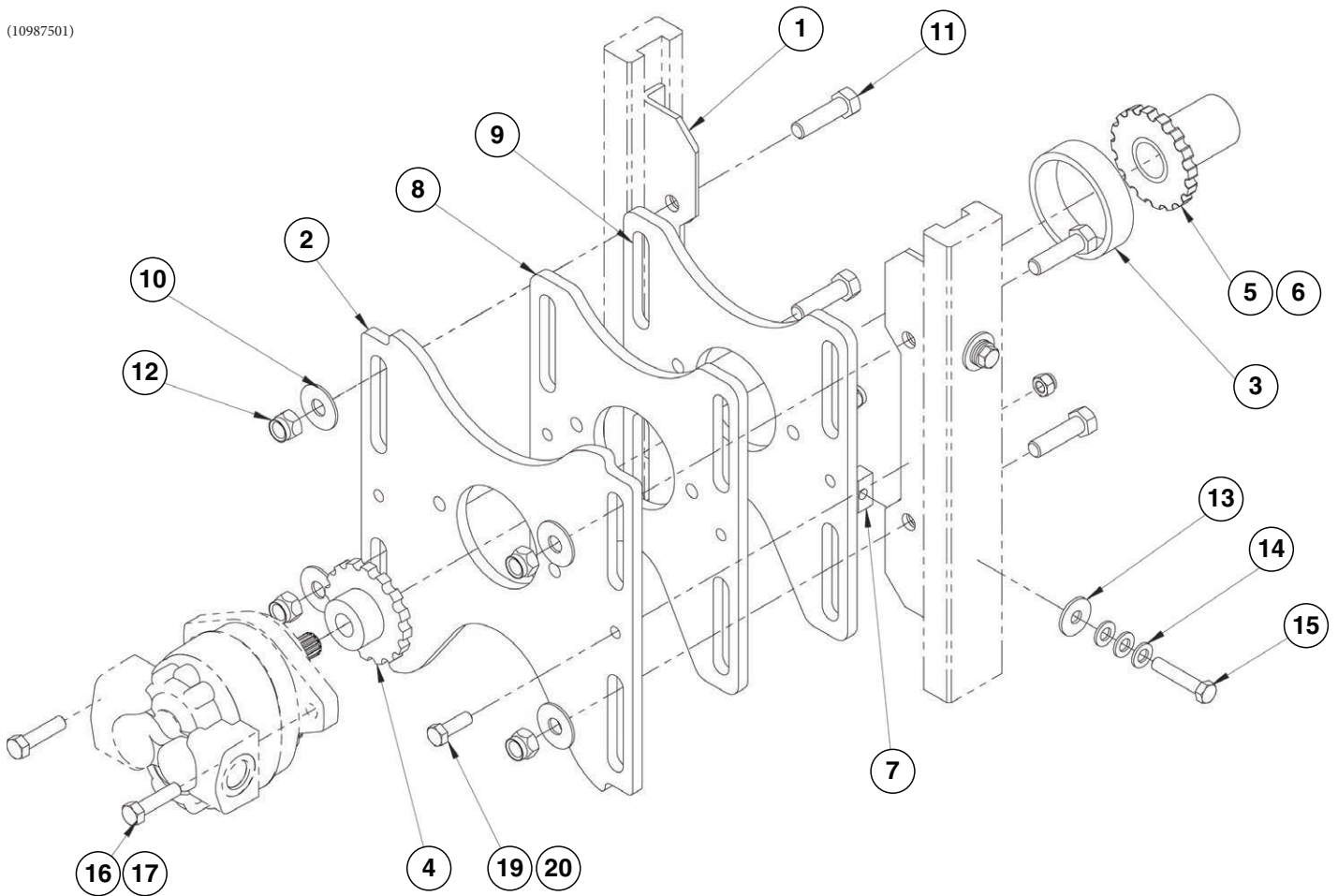
M0312-02

Model 3605

ITEM	PART NO.	QTY.	DESCRIPTION
1	G10207201	1	Cooler and Fan
2	G10395301	1	Cooler Mount Bracket
3	GD16038	1	Filter Head
4	GD16037	1	Oil Filter, 10 Micron
5	G10209	4	Washer, ¼" USS
6	G10023	2	Hex Head Cap Screw, ¼"-20 x ¾"
7	G6801-12	1	Elbow W/O-Ring, 90°, 1 1/16"-12 Male JIC To O-Ring
8	G10395901	1	PTO Reservoir
9	GA10918	1	Flow Control Valve ( <b>Ground Contact Drive</b> )
10	G2701-10	2	Elbow, 90°, 7/8"-14 Male JIC
11	G2503-20	2	Elbow, 45°, 1-5/8"-12 Male JIC x 1-¼" Male NPT
12	GD35381	2	3/8" O.D. Brass Barbed x 1/4" NPT 90° Elbow
13	GD6279-07	1	Clear Plastic Tubing, 3/8" x 7-1/4"
14	G10331001	2	Hose Clamp #4, 5/8"-1/4" x 5/16"
15	G6804-08	1	Adjustable Tee, 3/4"-16 Male JIC To O-Ring
16	---	1	<a href="#">See "PTO Oil Reservoir Hydraulic Block (Blue Drive)" on page P187</a>
17	G2403-12	1	Union, 1 1/16"-12 Male JIC
18	G10087001	1	Temperature Sensor, 100°
19	G10211501	1	Steel Hydraulic Line, 5/8"
20	G304-C-8	1	Cap Nut, ¾"-16
21	G306-10	2	Lock Nut, 7/8"-14
22	G6801-10	2	Elbow W/O-Ring, 90°, 7/8"-14 Male JIC To O-Ring
23	G6804-10	1	Adjustable Tee W/O-Ring, 7/8"-14 Male JIC To O-Ring
25	G10880	2	Hex Head Cap Screw, ¼"-20 x 2 ¼"
26	G6801-12-20	1	Adjustable Elbow, 90°, 1-1/16"-12 x 1-5/8"-12 O-Ring
27	G10194501	1	Steel Hydraulic Line, 3/4"
28	G11387	16	Flat Washer, 3/8" SAE
29	G10001	4	Hex Head Cap Screw, 3/8"-16 x 1"
30	G10108	8	Lock Nut, 3/8"-16
31	G6410-20-16	1	Adapter, 1-5/8"-12 O-Ring x 1-5/16"-12
32	G6801-10-16	1	Elbow W/O-Ring, 90°, 7/8"-14 Male JIC To 1 5/16"-12 O-Ring
33	G10395401	1	Steel Hydraulic Line, 5/8"
34	G10004	4	Hex Head Cap Screw, 3/8"-16 x 1 1/4"
35	G10235	1	Machine Bushing, 7/8", 14 Gauge (.0747")
36	*A12937-24	1	Hose Assembly, 3/4" x 24" (12F - 12F90S)
37	G6801-LL-12	1	Adjustable Elbow, 1-1/16"-12 x 1-1/16"-12 O-Ring
38	G6835-16-16-16	1	Tee, 1-5/16" O-Ring
39	G6410-16-08	1	Adapter, 1-5/16"-12 O-Ring x 3/4"-16
40	G10098201	1	Temperature Sensor, 200°

\* Hydraulic hose is not stocked by Kinze Repair Parts.

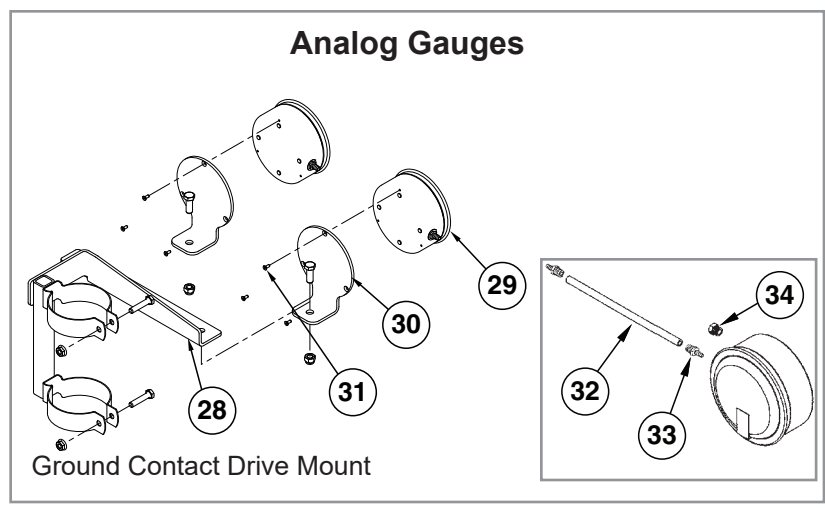
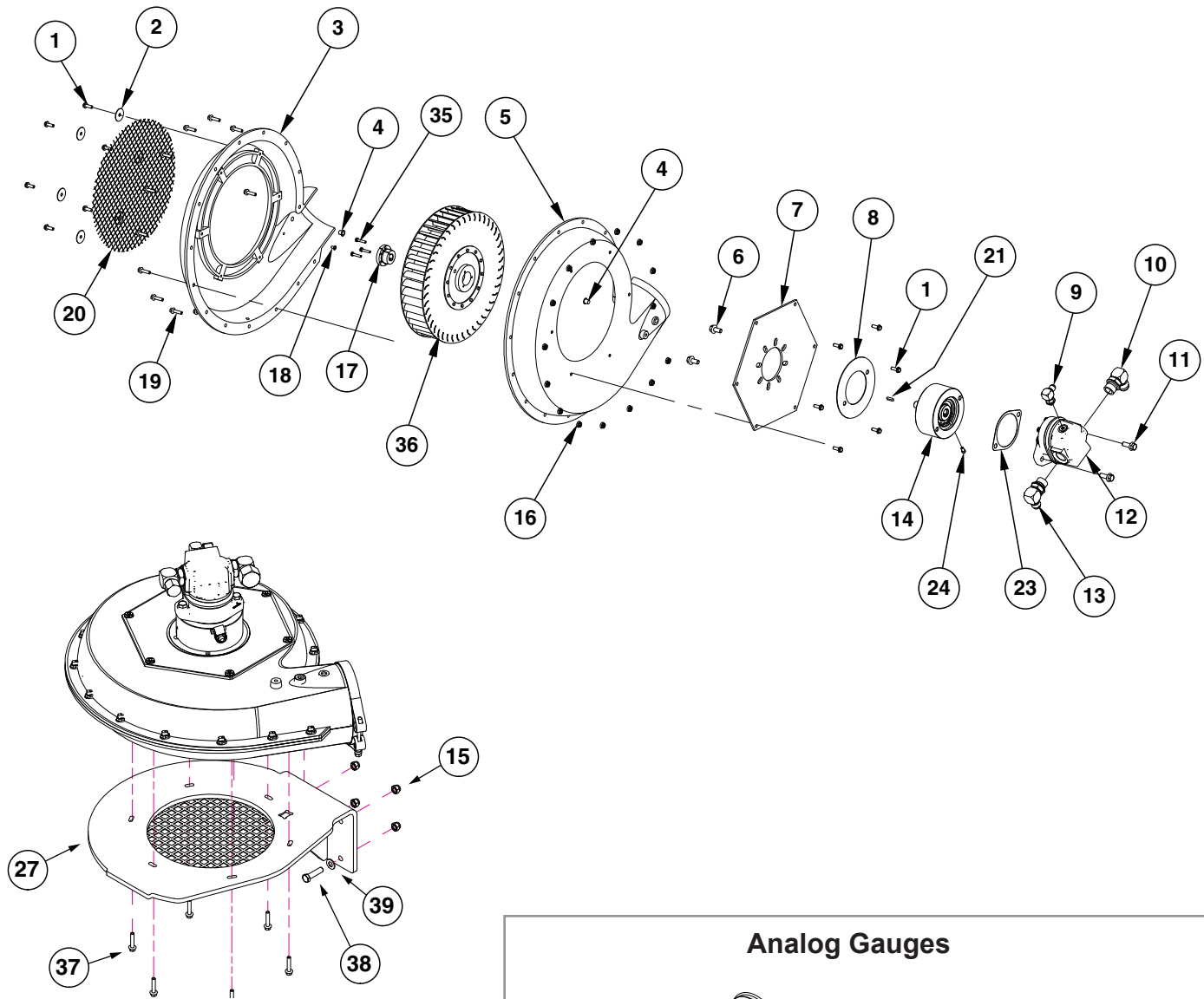
(10987501)



ITEM	PART NO.	QTY.	DESCRIPTION
1	G10985501	2	Rail Mount
2	G10985301	1	Pump Mount Plate, 39 cm
3	G10984801	1	Chain with Link
4	G10984701	1	Sprocket, 16 Tooth
5	G10985001	1	Long Sprocket, 16 Tooth, 1-3/4" x 20 Spline
6	G10984901	1	Long Sprocket, 16 Tooth, 1-3/8" x 21 Spline
7	G10985401	4	Rail Mount Nut
8	G10985101	1	Pump Mount Plate, 31 cm
9	G10985201	1	Pump Moun Plate, 33 cm
10	G10217	8	Washer, 5/8" USS
11	G10006	4	Hex Head Cap Screw, 5/8"-11 x 2 1/4"
12	G10107	4	Lock Nut, 5/8"-11
13	G10984201	4	Flat Washer, DIN 9021
14	G12039	12	Flat Washer, M12
15	G12002-60	4	Hex Head Cap Screw, M12-1,75 x 60
16	G10016	2	Hex Head Cap Screw, 1/2"-13 x 2"
17	G10111	2	Lock Nut, 1/2"-13
18	G10984101	1	LM 47 Long-Life Grease
19	G12015	2	Hex Lock Nut, M12-1,75
20	G12002-35	2	Hex Head Cap Screw, M12-1,75 x 35

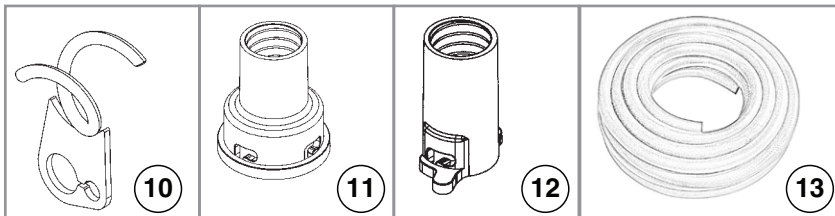
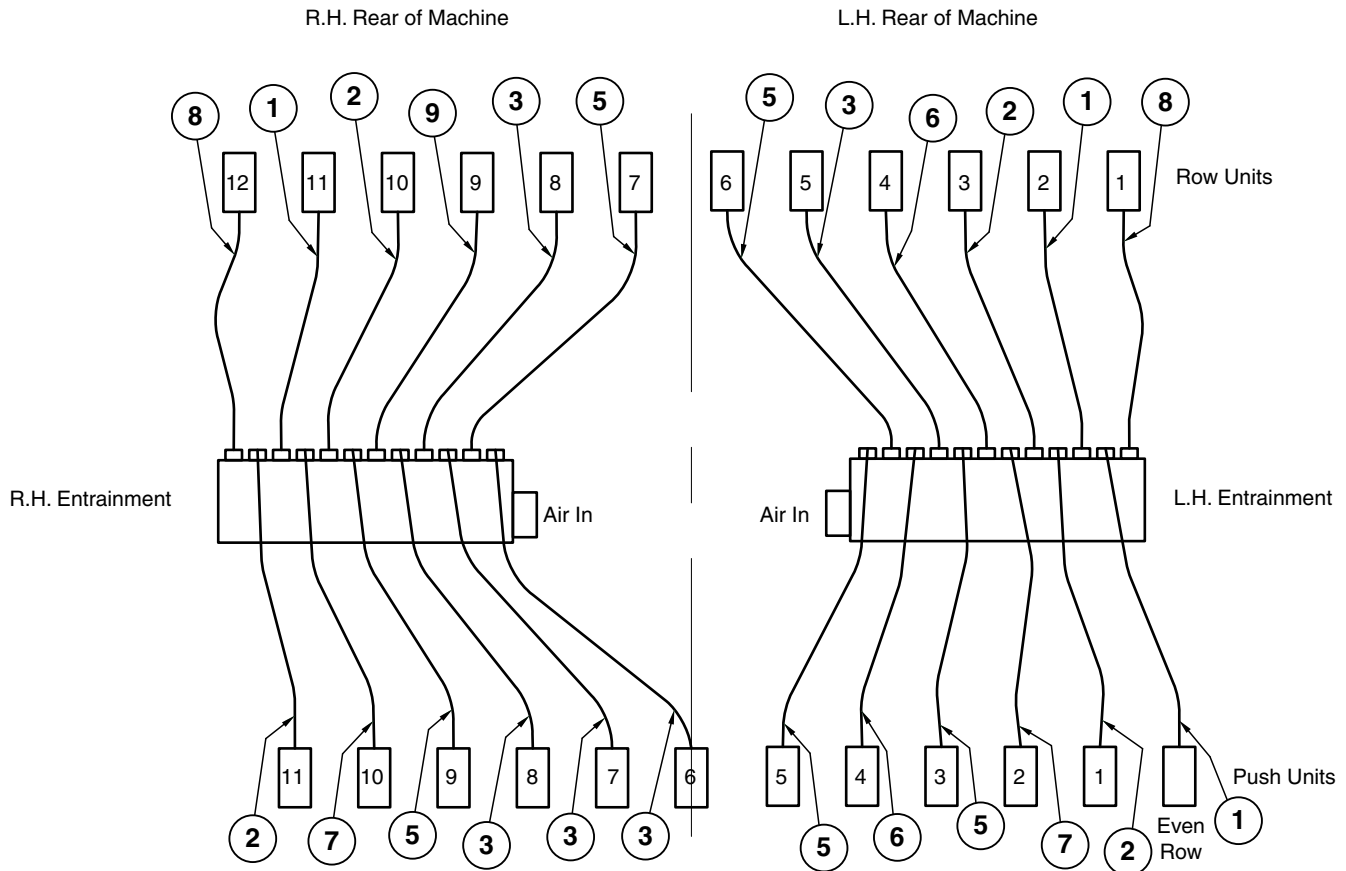
**This page left blank intentionally.**

Bulk Fill Fan Assembly



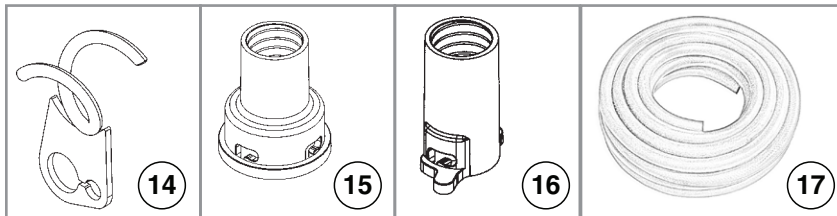
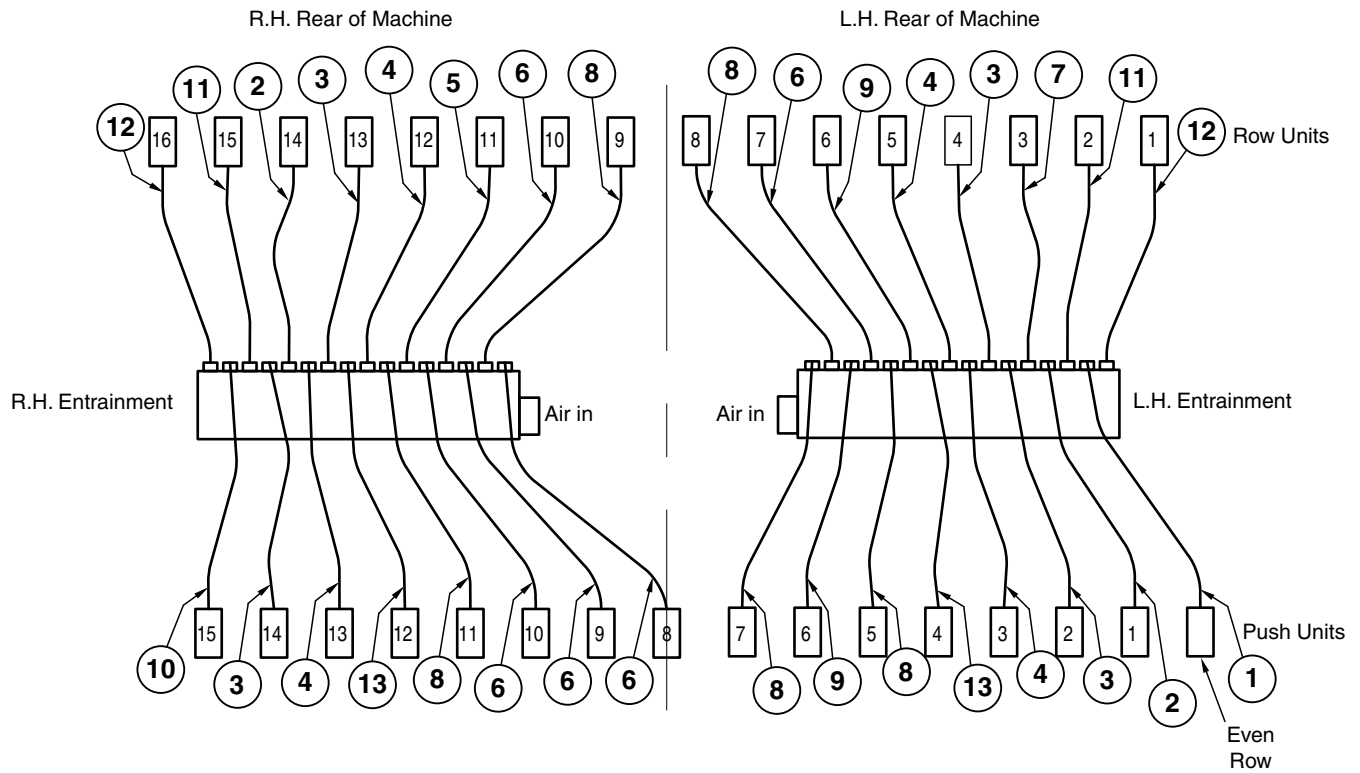
For Sending Unit and other parts not mentioned here, [See "Vacuum System" on page P86](#)

ITEM	PART NO.	QTY.	DESCRIPTION
1	G10988	12	Hex Non-Serrated Flange Cap Screw, ¼"-20 x ¾"
2	GR1977	6	Fender Washer, ¼"
3	GR1965	1	Non-Flanged Outer Case
4	GR1979	2	Plastic Plug, 7/16"
5	GR1966	1	Non-Flanged Inner Case
6	G11123	2	Hex Serrated Flange Cap Screw, 3/8"-16 x ¾"
7	GR1969	1	Backing Plate
8	GD25644	1	Cover Plate
9	G6801-06	1	Elbow W/O-Ring, 90°, 9/16"-18 Male JIC To O-Ring
	GR1045	-	O-Ring
10	G6801-12	1	Elbow W/O-Ring, 90°, 1 1/16"-12 Male JIC To O-Ring
	GR1467	-	O-Ring
11	G11124	2	Hex Serrated Flange Cap Screw, 3/8"-16 x 1"
12	GA14574	1	Hydraulic Motor
13	G6801-12-10	1	Elbow W/O-Ring, 90°. 1 1/16"-12 Male JIC To 7/8"-14 O-Ring
	GR1466	-	O-Ring
14	GA25388	1	Overhung Load Adapter
	GD20928	-	Bearing (Included W/GA25388)
15	G10108	4	Lock Nut, 3/8"-16
16	G10621	15	Serrated Flange Nut, ¼"-20
17	GR1961	1	Bushing, 5/8"
18	GR1978	1	Plastic Plug, ¼"
19	G11409	15	Hex Serrated Flanged Cap Screw, ¼"-20 x 1"
20	GR1967	1	Screen
21	GD21300	1	Key Stock, 3/16" x 3/4"
22	GR2000	1	Hydraulic Motor Key
23	GD30882	1	Gasket, 2-Bolt Mount
24	GD31305	1	Rubber Seal Plug
25	GA14805	1	Air Pressure/Vacuum Sensor
	GD28372	1	1/8" NPT Tee, Brass (Female/Male/Female)
	GD35903	1	Adapter Male 1/8 NPT
	G10023601	1	Elbow, 90°, 1/8" NPT x 1/8" NPT
26	GA14805	1	Air Pressure/Vacuum Sensor
	GD28372	1	1/8" NPT Tee, Brass (Female/Male/Female)
	G10023601	1	Elbow, 90°, 1/8" NPT x 1/8" NPT
27	G10365101	1	Bulk Fill Fan Mount
28	---	-	<a href="#">See "Center Pivot" on page P139</a>
29	GA21406	2	Pressure Gauge W/Hose Barb
	GR1777	-	Hose Barb, 3/16" x 1/8" NPT (Included W/GA21406)
30	GD15804	2	Mount
	G10108	2	Lock Nut, 3/8"-16
	G10004	2	Hex Head Cap Screw, 3/8"-16 x 1 1/4"
31	G11215	6	Hex Socket Head Cap Screw, No. 6-32 x 3/8", Grade 8
32	GD15849-02	1	Clear Tubing, 5/16" O.D. x 3/16" I.D. x 120"
33	GA10765	1	Analog Vacuum Gauge W/Hose Barb
	GR1777	-	Hose Barb, 1/8" Male NPT To 3/16" Barb (Included W/GA10765)
34	GA10799	1	Breather, 1/8" Male NPT
35	G11518	3	Hex Head Machine Screw, #10-24 x 1"
	G10243	3	Washer, No. 10 SAE
36	GR2109	-	Impeller
37	G11409	6	Hex Serrated Flanged Cap Screw, ¼"-20 x 1"
38	G10003	4	Hex Head Cap Screw, 3/8"-16 x 1 1/2"
39	G11387	4	Hardened Washer, 3/8" SAE
A	GR1960	-	Hydraulic Motor Seal Kit



ITEM	PART NO.	QTY.	DESCRIPTION
1	*A13802	3	Hose Assembly, 1 1/4" x 161"
2	*A13803	4	Hose Assembly, 1 1/4" x 133"
3	*A13805	5	Hose Assembly, 1 1/4" x 71"
4	*A13801	1	Hose Assembly, 1 1/4" x 192"
5	*A13807	5	Hose Assembly, 1 1/4" x 82"
6	*A13808	2	Hose Assembly, 1 1/4" x 93"
7	*A13824	2	Hose Assembly, 1 1/4" x 103"
8	*A13801	1	Hose Assembly, 1 1/4" x 192"
9	*A13804	1	Hose Assembly, 1 1/4" x 101"
10	GA14593	-	Hose Holder (Used on Rows 1 and 12)
11	GB0425	-	Dissipator Quick Coupler
12	GB0429	-	Seed Entrainer Quick Coupler
13	GR1947	-	Bulk Fill Hose, 1" I.D. x 1 1/4" O.D. x 100'

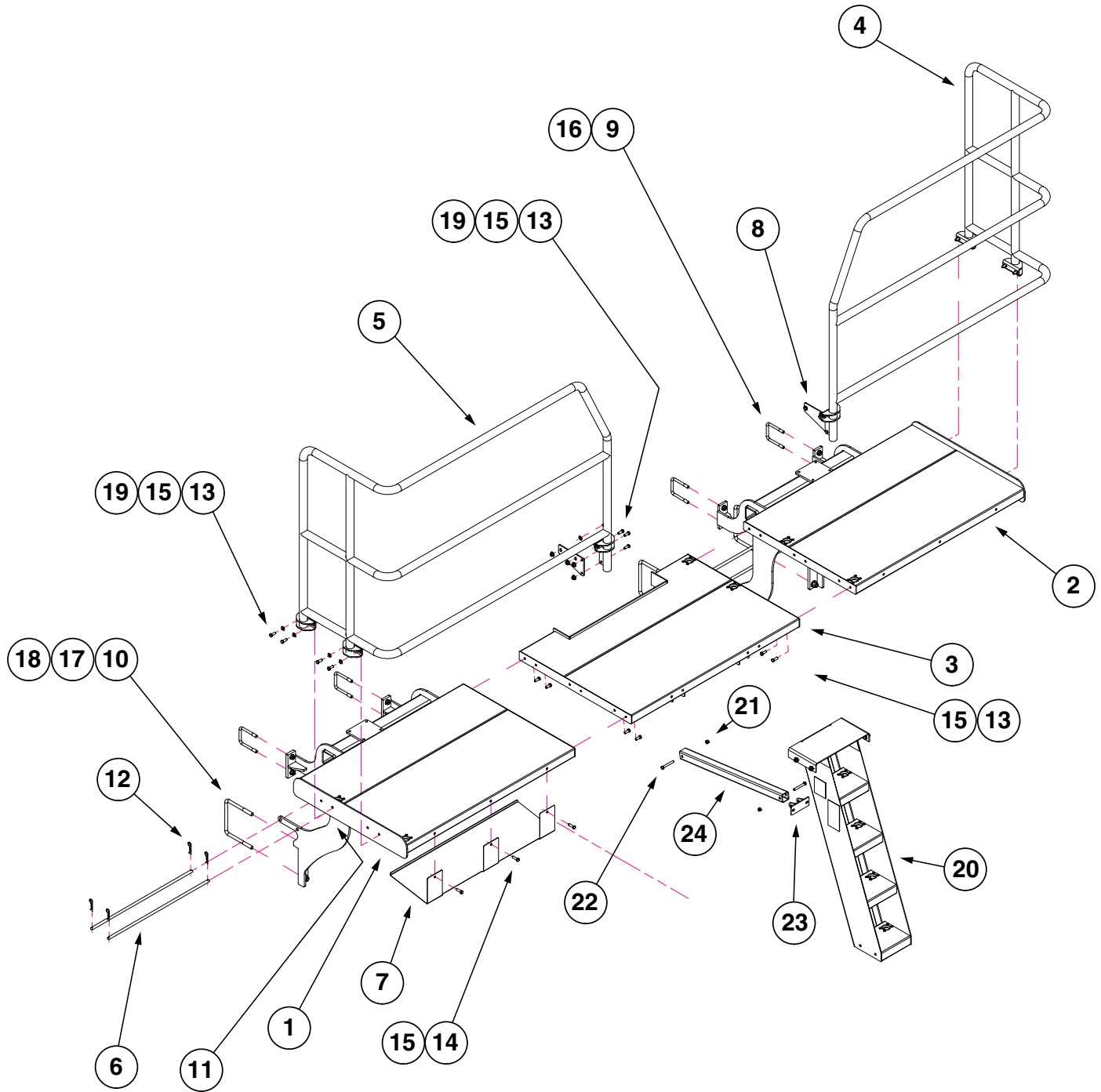
\*Hose not stocked by Kinze repair parts, but is available in bulk (GR1947).



ITEM	PART NO.	QTY.	DESCRIPTION
1	*A13800	1	Hose Assembly, 1 1/4" x 218"
2	*A13801	2	Hose Assembly, 1 1/4" x 192"
3	*A13802	4	Hose Assembly, 1 1/4" x 161"
4	*A13803	4	Hose Assembly, 1 1/4" x 133"
5	*A13804	1	Hose Assembly, 1 1/4" x 101"
6	*A13805	5	Hose Assembly, 1 1/4" x 71"
7	*A13826	1	Hose Assembly, 1 1/4" x 176"
8	*A13807	5	Hose Assembly, 1 1/4" x 82"
9	*A13808	2	Hose Assembly, 1 1/4" x 93"
10	*A13809	1	Hose Assembly, 1 1/4" x 205"
11	*A13810	2	Hose Assembly, 1 1/4" x 225"
12	*A13817	2	Hose Assembly, 1 1/4" x 246"
13	*A13824	2	Hose Assembly, 1 1/4" x 103"
14	*A14593	-	Hose Holder (Used on Rows 1, 2, 15, and 16)
15	GB0425	-	Dissipator Quick Coupler
16	GB0429	-	Seed Entrainer Quick Coupler
17	GR1947	-	Bulk Fill Hose, 1" I.D. x 1 1/4" O.D. x 100'

\*Hose not stocked by Kinze repair parts, but is available in bulk (GR1947).

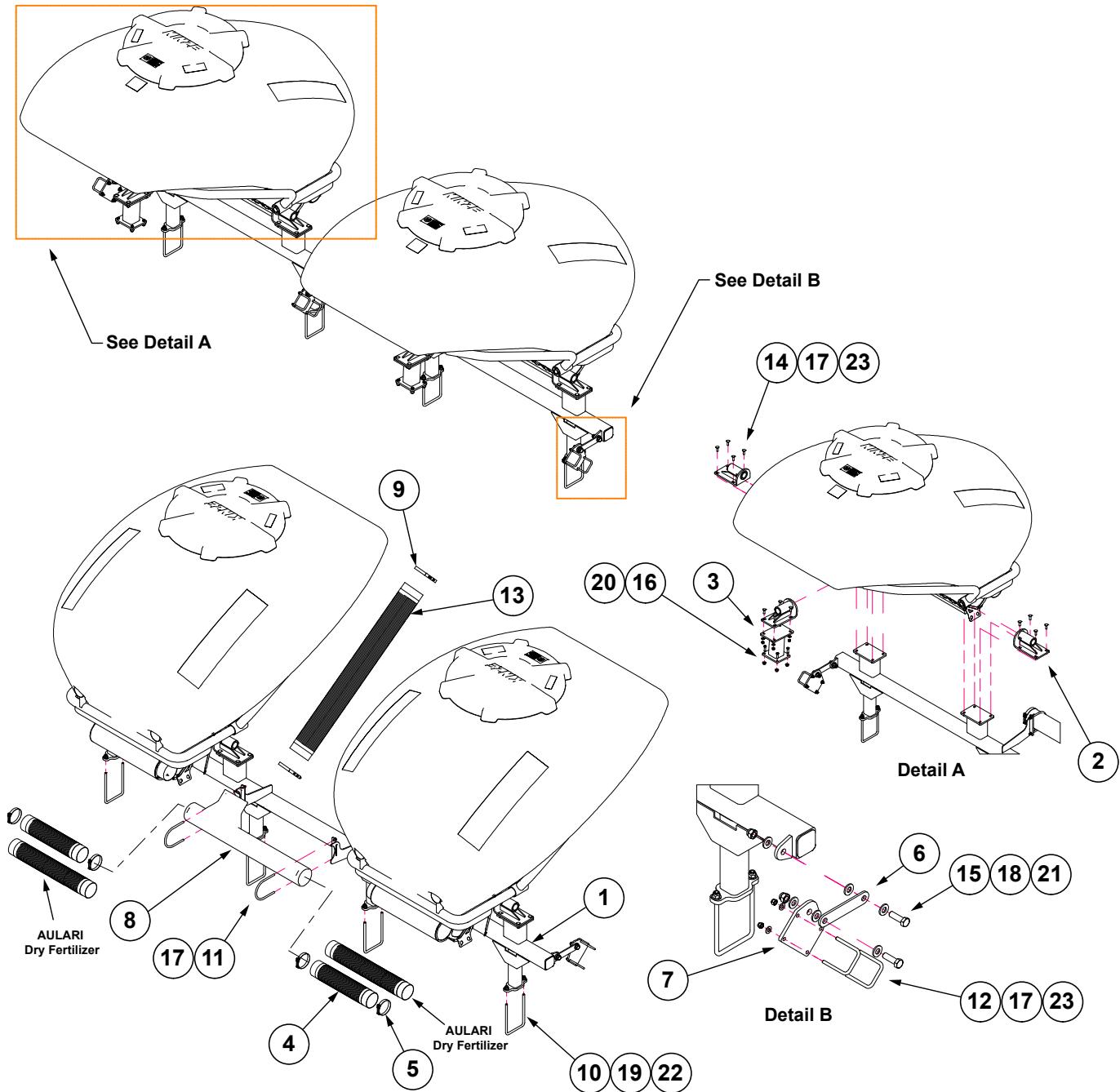
(101651)





ITEM	PART NO.	QTY.	DESCRIPTION
1	GA18903	1	L.H. Catwalk
2	GA18904	1	R.H. Catwalk
3	GA17080	1	Center Catwalk
4	GA14372	1	Rail, R.H.
5	GA14373	1	Rail, L.H.
6	GD27103	4	Pin
7	G10246501	1	Cleanout Chute Storage
8	GD20599	2	Stiffener Rail
9	GD4743	4	U-Bolt, 3" x 3" x 1/2"-13
10	GD1113	4	U-Bolt, 5" x 7" x 5/8"-11
11	G4431-01	4	Edge Molding, 3/8" x 19"
12	G11303	8	Hair Clip Pin, #9
13	G10001	28	Hex Head Cap Screw, 3/8"-16 x 1"
14	G10004	3	Hex Head Cap Screw, 3/8"-16 x 1 1/4"
15	G11091	31	Serrated Flange Nut, 3/8"-16
16	G10071	8	Serrated Flange Nut, 1/2"-13
17	G10107	8	Lock Nut, 5/8"-11
18	G11391	8	Flat Washer, 5/8" SAE
19	G11387	16	Flat Washer, 3/8" SAE
20	G10229201	1	Catwalk Ladder
21	G10108	2	Lock Nut, 3/8"-16
22	G10325	2	Hex Head Cap Screw, 3/8"-16 x 2 3/4"
23	GA18948	1	Stiffener Mount
24	G10190401	1	Ladder Stiffener Tube

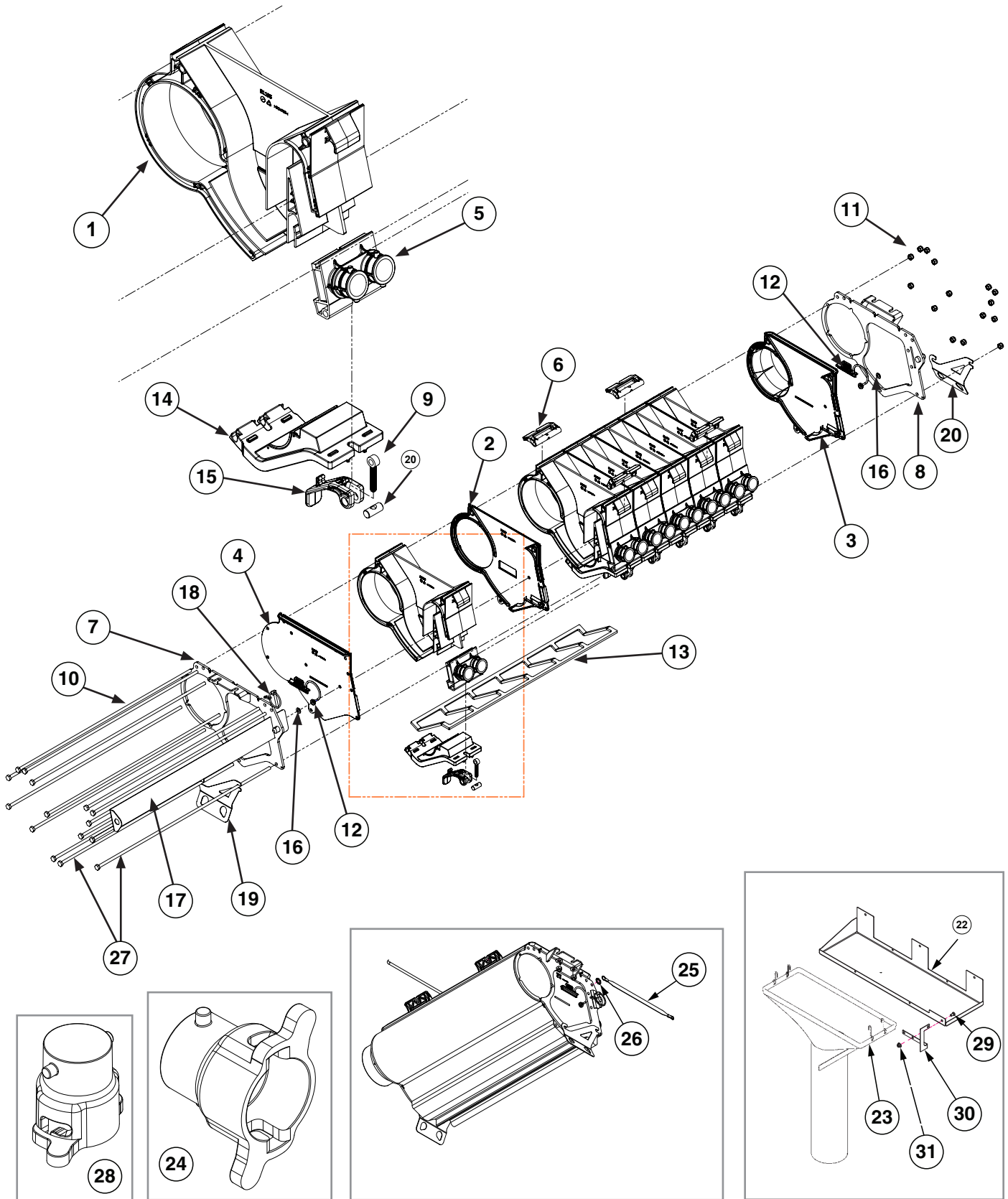
(102130)



ITEM	PART NO.	QTY.	DESCRIPTION
1	GA18905	1	Front Bulkfill Mount
2	GA14041	6	Bulk Fill Tank Mount
3	GA14052	2	Rear Tank Mount
4	GD19659-05	2	Black Hose, 4 1/2" I.D. x 22"
	GD19659-01	2	Black Hose, 4 1/2" I.D. x 39" (For Aulari Dry Fertilizer)
5	G11360	4	T-Bolt Hose Clamp, 4 1/2"
6	GD33962	3	Link
7	GD20401	3	Link Mount
8	GB0493	1	Bulk Fill Manifold
9	G11367	2	T-Bolt Clamp 6"
10	GD8306	4	U-Bolt, 7" x 5" x 1/2"-13
11	GD19639	2	U-Bolt, 4 1/2" x 3/8"-16
12	GD19212	6	U-Bolt, 2 1/2" x 3/8"-16
13	GD19658-02	1	Black Hose, 6" I.D. x 56"
14	G10599	24	Carriage Bolt, 3/8"-16 x 1 1/4"
15	G10008	6	Hex Head Cap Screw, 5/8"-11 x 2"
16	G10004	8	Hex Head Cap Screw, 3/8"-16 x 1 1/4"
17	G10108	40	Lock Nut, 3/8"-16
18	G10107	6	Lock Nut, 5/8"-11
19	G10111	8	Lock Nut, 1/2"-13
20	G10622	8	Serrated Flange Nut, 3/8"-16
21	G11391	18	Flat Washer, 5/8" SAE
22	G11389	8	Flat Washer, 1/2" Plated SAE
23	G11387	36	Flat Washer, 3/8" SAE

(IP1124)

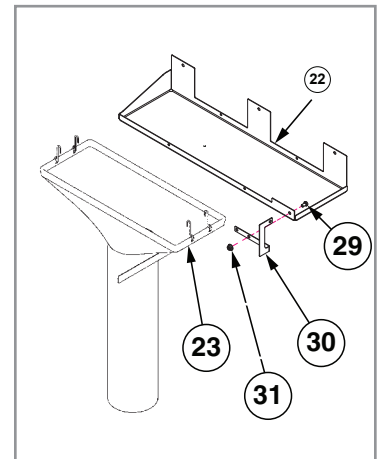
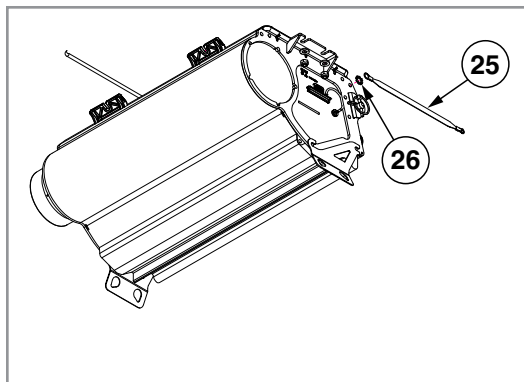
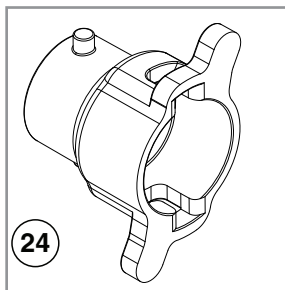
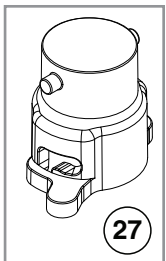
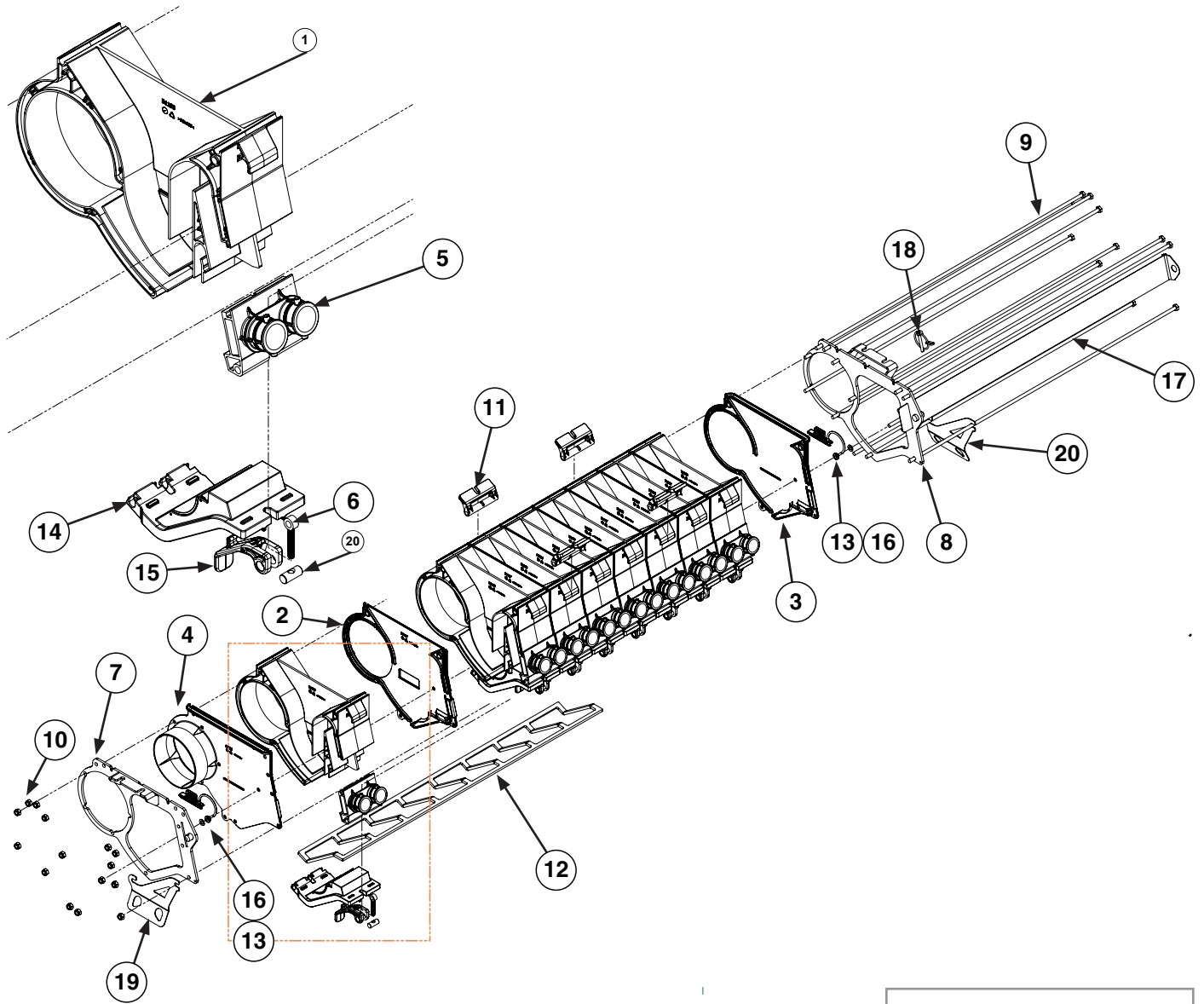
L.H. Shown



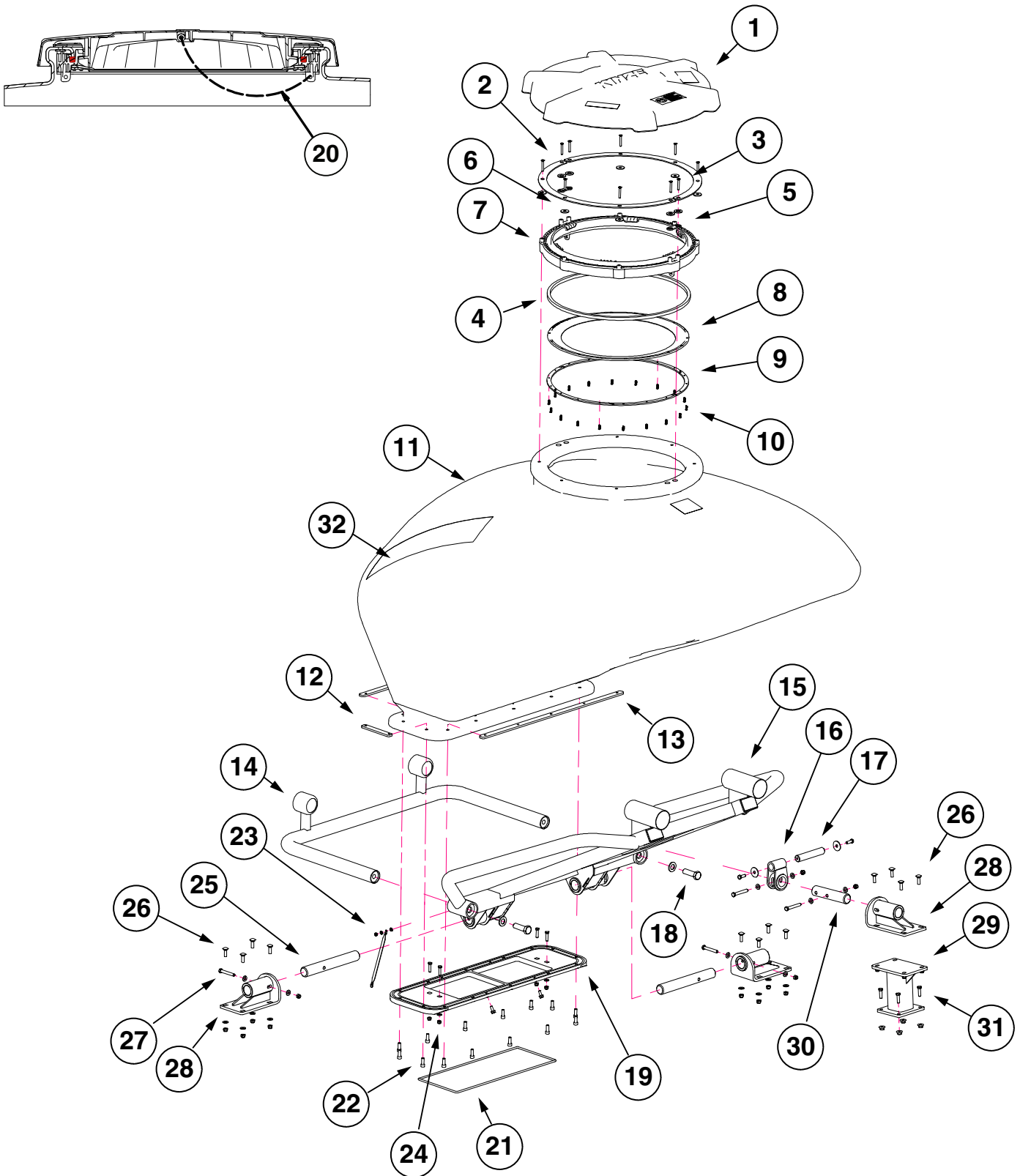
ITEM	PART NO.	QTY.	DESCRIPTION
1	GB1195	6	Entrainer Section
2	GB1197	5	Entrainer Interior Wall
3	GB1201	1	Entrainer End Cap, L.H.
4	GB1199	1	Entrainer End Cap, L.H.
5	GB1196	6	Dual Entrainer Outlet, 1"
6	GB1204	4	Entrainer Mount Adapter
7	GA27156	1	Entrainer Retainment Assembly, L.H.
8	GA27157	1	Entrainer Retainment Assembly, R.H.
9	GD19864	6	Eye Bolt, 1/4"-20 x 1.83 OAL
10	GD37049	13	Hex Head Cap Screw, 1/4"-20 x 21.25", Grade 2
11	G10110	15	Hex Locknut, 1/4"-20
12	GB0444	2	Bulk Fill Shutoff Door Plug
13	GD36870	1	Cleanout Door Gasket, 12 Row
14	GA26104	6	Entrainer Door Assembly
15	GB1203	6	Entrainer Door Latch
16	G11328	2	Washer, 1/4"
17	G10019303	1	Entrainer Slide, 21.673
18	G11339	1	Lynch Pin, 3/16" x 1-1/4", W/Chain
19	G10017201	1	Bulk Fill Chute Hanger
20	G1007301	1	Bulk Fill Chute Hanger
21	GD21080	6	Cam Nut, 1/4"-20
22	G10246301	1	Clean Out Chute Bottom
23	GA14822	1	Cleanout Chute
24	GB0430	-	Bulk Fill Large Cap
25	GD27607	1	Ground Strap
26	G10529	1	External Tooth Lock Washer, 3/8"
27	GD19852	2	Hex Head Cap Screw, 1/4"-20 x 22", Grade 5
28	GB0431	12	Bulk Fill Small Entrainer Cap (Shown)
	GD19508	12	Small Coupler O-Ring
29	G10328	1	Hex Head Cap Screw, 3/8"-16 x 5/8"
30	G10246001	1	Clean Out Chute Mount
31	G11091	1	Serrated Flange Nut, 3/8"-16
A	GA27158	-	Bulk Fill Entrainer Assembly, R.H. (Items 1-21, 27)
B	GA27159	-	Bulk Fill Entrainer Assembly, L.H. (Shown) (Items 1-21, 27)

(A27160)

R.H.



ITEM	PART NO.	QTY.	DESCRIPTION
1	GB1195	8	Entrainer Section
2	GB1197	7	Entrainer Interior Wall
3	GB1198	1	Entrainer End Cap, R.H.
4	GB1200	1	Entrainer Inlet, R.H.
5	GB1196	8	Dual Entrainer Outlet, 1"
6	GD19864	8	Eye Bolt, 1/4"-20 x 1.83
7	GA27156	1	Entrainer Retainment Assembly, L.H.
8	GA27157	1	Entrainer Retainment Assembly, R.H.
9	GD37050	15	Hex Head Cap Screw, 1/4"-20 x 28.25
10	G10110	15	Hex Locknut, 1/4"-20
11	GB1204	4	Entrainer Mount Adapter
12	G10301301	1	Cleanout Door Gasket, 16R
13	GB0444	2	Bulk Fill Shutoff Door Plug
14	GA26104	8	Entrainer Door Assembly
15	GB1203	8	Entrainer Door Latch
16	G11328	2	Flat Washer, 1/4"
17	G10019302	1	Entrainer Slide, 28.423
18	G11339	1	Lynch Pin, 3/16" x 1-1/4", W/Chain
19	G10017201	1	Bulk Fill Chute Hanger
20	G10017301	1	Bulk Fill Chute Hanger
21	GD21080	1	Cam Nut, 1/4"-20
22	G10246301	1	Clean Out Chute Bottom
23	GA14823	1	Cleanout Chute
24	GB0430	-	Bulk Fill Large Cap
25	GD27607	1	Ground Strap
26	G10529	1	External Tooth Lock Washer, 3/8"
27	GB0431	16	Bulk Fill Small Entrainer Cap (Shown)
	GD19508	16	Small Coupler O-Ring
29	G10328	1	Hex Head Cap Screw, 3/8"-16 x 5/8"
30	G10246001	1	Clean Out Chute Mount
31	G11091	1	Serrated Flange Nut, 3/8"-16
A	GA27160	-	Bulk Fill Entrainer Assembly, R.H. (Shown) (Items 1-21)
B	GA27163	-	Bulk Fill Entrainer Assembly, L.H. (Items 1-21)

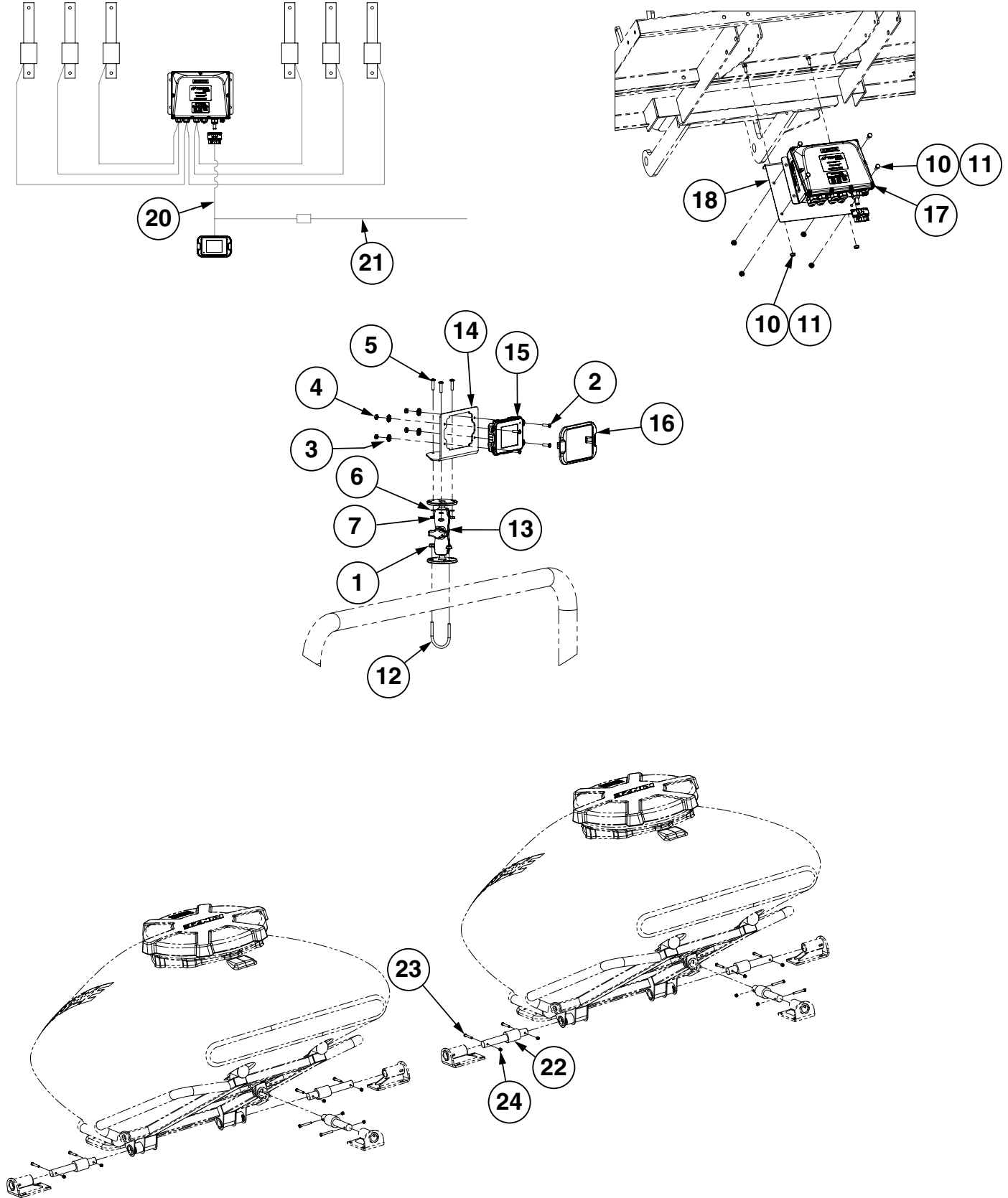




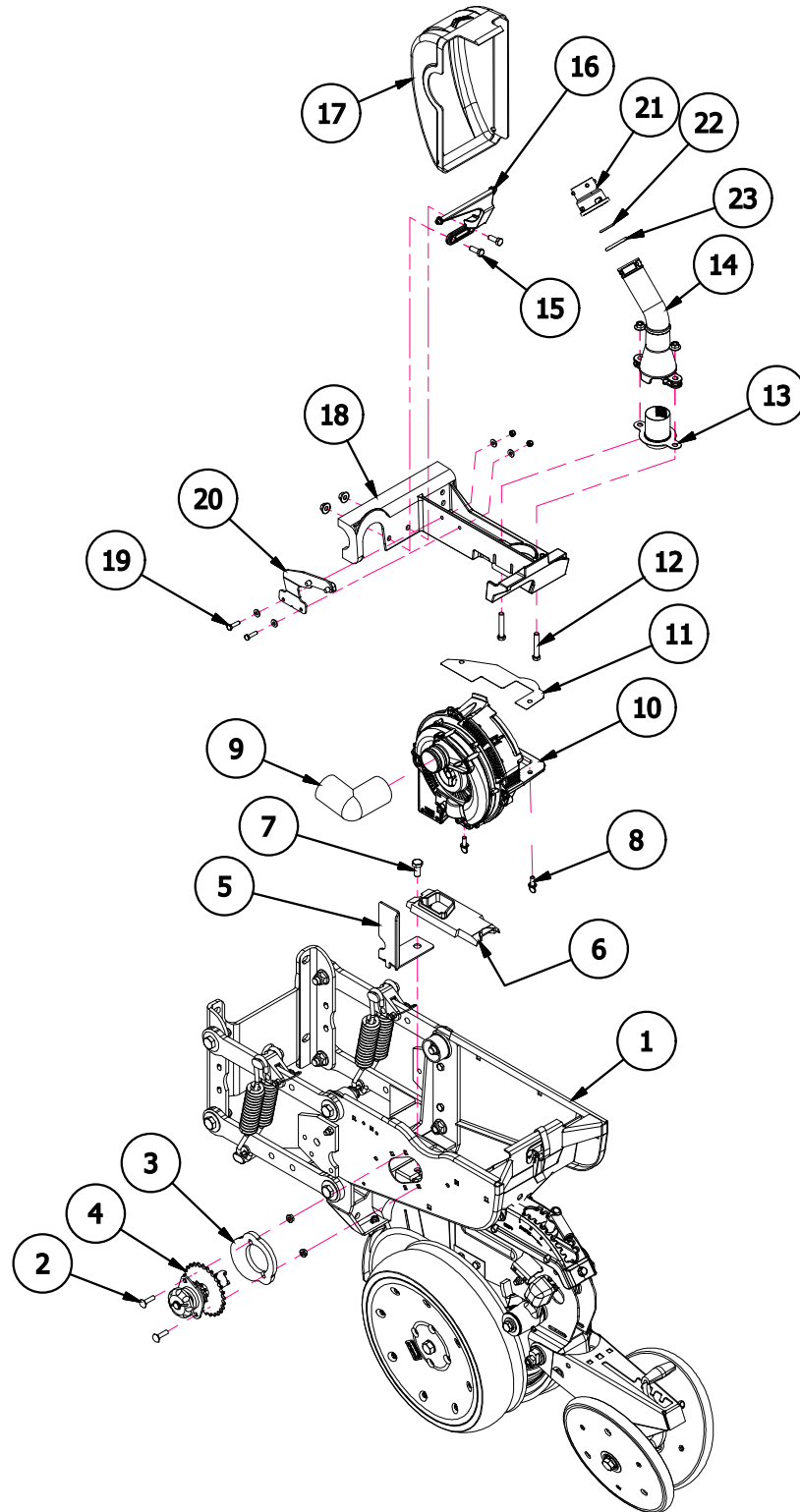
ITEM	PART NO.	QTY.	DESCRIPTION
1	GB0673	1	Bulk Fill Tank Lid
2	GD35844	2	Top Ring Mount Plate
3	G10132501	10	Hex Flange Head Cap Screw, 1/4"-20 x 1-3/4"
	GD24754	4	Foam Seal
4	**GD35274-01	1	Black Ribbon Sealer, 66.5" (Length used for one lid)
5	GB0905	2	Lid Seal Ring Spacer
6	GD35857	6	Foam Seal Washer
7	GB1206	1	Bulk Fill Tank Lid Latch
8	GB0675	1	Bulk Fill Tank Lid Seal
9	GD24386	6	Bulk Fill Tank Lid Seal Ring Segment
10	G11522	18	Phillips Pan Head Tapping Screw, 8-18 x 5/8"
11	G10489201	1	Tank, 40 Bushel (~1400 L)
12	GD20923	2	Entrainer Mount Tap Block, Short
13	G10057501	2	Entrainer Mount Tap Block, Long
14	G10630001	1	Bulk Fill Tank Front Frame
15	G10629601	1	Bulk Fill Tank Rear Frame
16	GA14040	1	Bulk Fill Rear Tank Mount
17	GD20037	1	Pin, 1" x 5-3/8"
	G10201	2	Special Washer, 3/8" x 1 1/2" O.D.
	G10001	2	Hex Head Cap Screw, 3/8"-16 x 1"
18	G10027	2	Hex Head Cap Screw, 3/4"-10 x 2 1/2"
	G11392	2	Flat Washer, 3/4" SAE
19	GD37001	1	Entrainer Adapter, 12 Row
	GD37002	1	Entrainer Adapter, 16 Row
	GD19690-03	1	Ribbon Sealer, 6.5'
	GD19690-04	1	Ribbon Sealer, 7'
	G11539	4	Hex Socket Flange Cap Screw, 5/16"-18 x 3/4"
20	GD24879-01	1	Rope Tether, 36"
21	G10302501	1	Foam Cord, .3125" x 58.191", 12 Row
	G10302502	1	Foam Cord, .3125" x 71.831", 16 Row
22	G11261	14	Hex Socket Head Cap Screw, 3/8"-16 x 1"
	GD27215	1	Silicone Sealer, Dow Corning 732, Clear
23	G11528	1	Hex Nut W/External Tooth Washer, 1/4"-20
	G11249	2	External Tooth Washer, 1/4"
	GD27607	1	Ground Strap
24	G11182	4	Lock Nut W/Nylon Insert, 5/16"-18
	G11386	5	Flat Washer, 5/16" SAE
	G10171	4	Hex Head Cap Screw, 5/16"-18 x 1 1/4"
25	GD20035	2	Pin, 1 1/2" x 11 1/4"
26	G10599	12	Carriage Bolt, 3/8"-16 x 1 1/4"
	G11387	20	Flat Washer, 3/8" SAE
	G10108	16	Lock Nut, 3/8"-16
27	G10325	4	Hex Head Cap Screw, 3/8"-16 x 2 3/4"
28	GA14041	3	Bulk Fill Tank Mount
29	GA14052	1	Rear Tank Mount
30	GD20036	1	Pin, 1 1/2" x 7"
31	G10004	4	Hex Head Cap Screw, 3/8"-16 x 1 1/4"
	G11091	4	Serrated Flange Nut, 3/8"-16
32	G10428101	1	Kinze Tank Logo
A	G10129501	-	Bulk Fill Lid Seal Assembly, (Items 7-10)

\*\*Item only available in bulk (21.75")

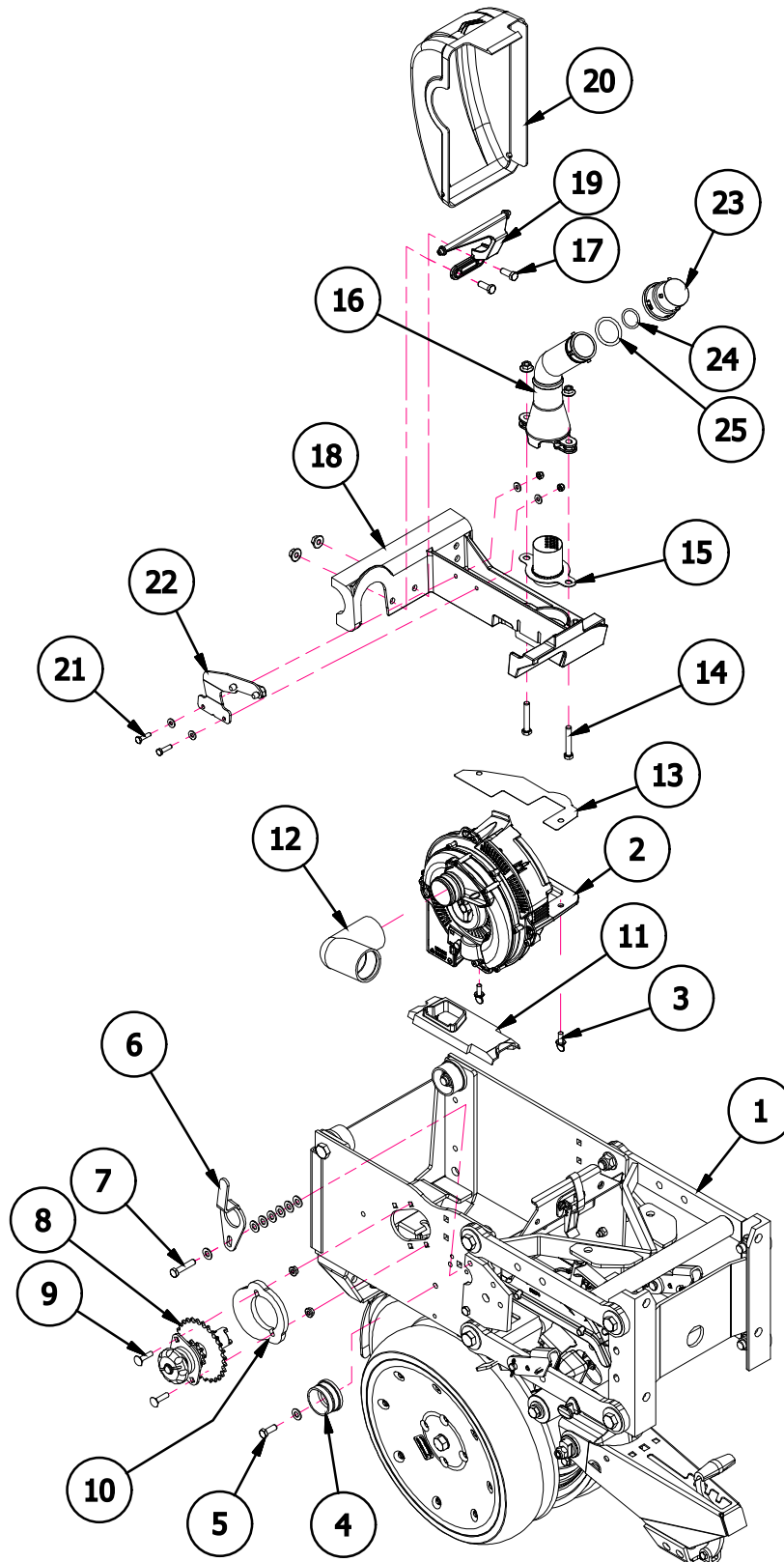
(102886)



ITEM	PART NO.	QTY.	DESCRIPTION
1	G11284	2	Serrated Flange Nut, #10-32
2	G11065	4	Phillips Pan Head Machine Screw, No. 8-32 x $\frac{5}{8}$ " , Stainless Steel
3	G10931	4	Lock Washer, No. 8, Internal/External, Stainless Steel
4	G10251	4	Hex Nut, No. 8-32
5	G11401	3	Phillips Pan Head Machine Screw, #10-32 x $\frac{3}{4}$ "
6	G10257	3	Lock Washer, No. 10
7	G10758	3	Hex Nut, No. 10-32
8	---	-	---
9	---	-	---
10	G10023	6	Hex Head Cap Screw, $\frac{1}{4}$ "-20 x $\frac{3}{4}$ "
11	G10621	6	Serrated Flange Nut, $\frac{1}{4}$ "-20
12	GD20282	1	U-Bolt, #10-32
13	GA12403	1	Mounting Bracket Assembly, Includes: (2) Mounting Brackets, (2) Connector Halves, (1) Compression Spring
14	G10242601	1	Display Mount Bracket
15	G10488901	1	PHD28 Scale Display
16	G10267101	1	Scale Display Bezel
17	G10002701	1	Scale CAN Module
18	G10265001	1	Module Mounting Bracket
19	---	-	---
20	G10242801	1	PHD28 Scale Cable
21	G10266901	1	CAN Stub Harness (Ground Contact Drive)
	G10286102	1	CAN Stub Harness (Blue Drive)
22	GA14135	6	Load Cell
23	G10325	12	Hex Head Cap Screw, $\frac{3}{8}$ "-16 x 2 $\frac{3}{4}$ "
24	G10108	12	Lock Nut, $\frac{3}{8}$ "-16

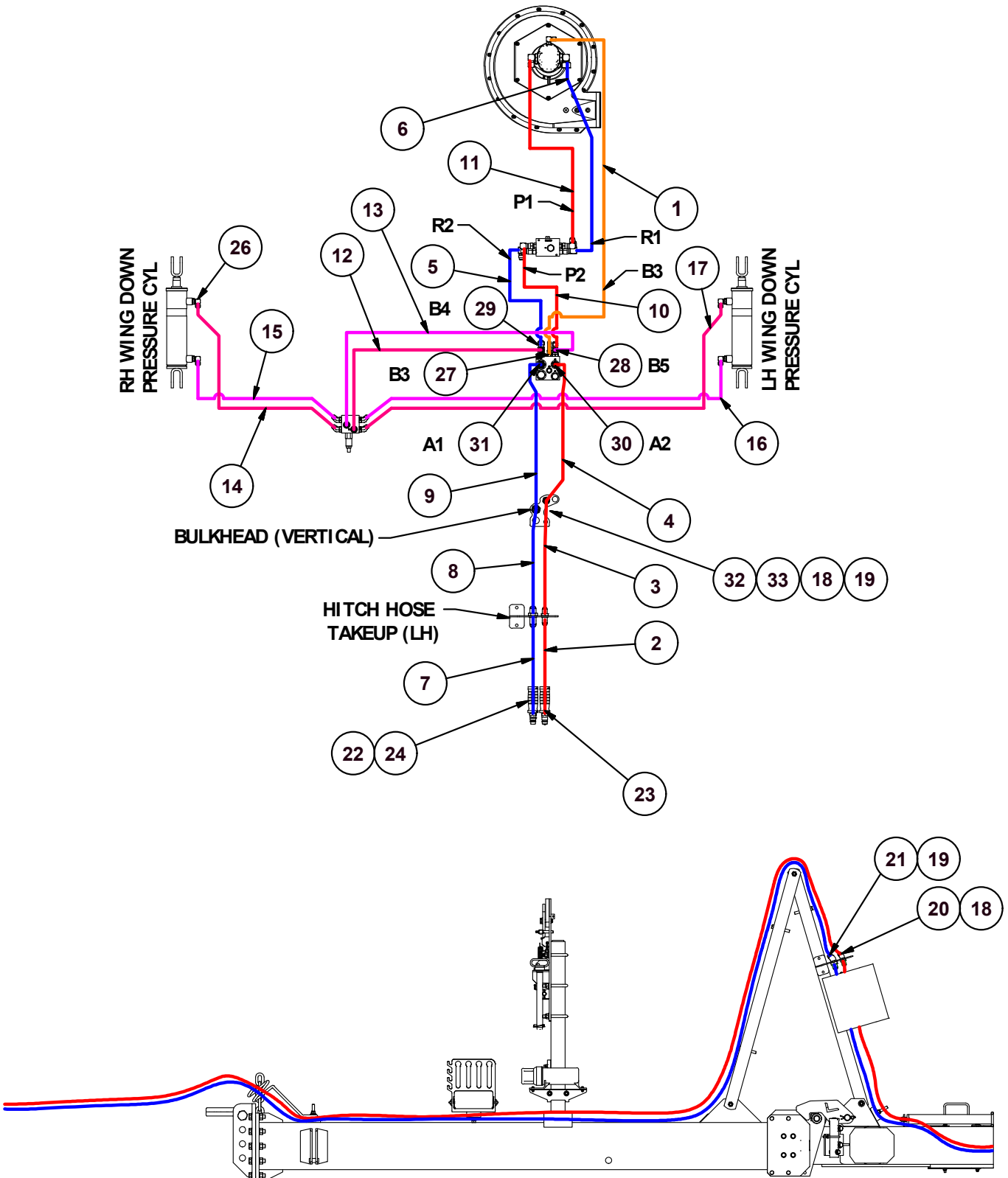


ITEM	PART NO.	QTY.	DESCRIPTION
1	---	-	<a href="#">See "Shank Assembly, Seed Tube, and Depth Adjustment" on page P3</a> <a href="#">See "Parallel Arms, Mounting Support Plate, and Quick Adjustable Down Force Springs Option" on page P7</a>
2	G10338	2	Carriage Bolt, 5/16"-18 x 1 1/4"
	G10620	2	Serrated Flange Nut, 5/16"-18
3	GB0331	1	Clutch Adapter Plate
4	GA20640	1	Seed Meter Clutch Assembly, 11/28 Tooth
5	GD29798	1	Chain Guard Bracket
6	GB0926	1	Shank Cover
7	G10014	1	Hex Head Cap Screw, 1/2"-13 x 1"
	G10071	1	Serrated Flange Nut, 1/2"-13
8	GA9546	1	Metre Hardware Bag (Thumb Screws)
	G11009	2	Locking Thumbscrew, 5/16"-18 x 3/4" (Included W/GA9546)
9	GB1313	1	Elbow, 90°, 1.5"
10	---	-	<a href="#">See "Vacuum Seed Meter" on page P29</a>
11	GD29413	1	Hopper Shim
12	G10939	2	Hex Head Cap Screw, 3/8"-16 x 2 1/4"
	G11091	4	Serrated Flange Nut, 3/8"-16
13	GB0901	1	Air Dissipator Screen
14	GB0455	1	Bulk Fill Air Pressure Dissipator
15	G10001	2	Hex Head Cap Screw, 3/8"-16 x 1"
16	GB0717	1	Vacuum Meter Cover Hinge
17	GB0428	1	Vacuum Meter Cover
18	GA25304	1	Meter Mount W/Inserts
19	G10064	2	Hex Head Cap Screw, 1/4"-20 x 1"
	G10110	2	Lock Nut, 1/4"-20, Grade B
	G11385	4	Flat Washer, 1/4" SAE
20	GA21309	1	Meter Support Assembly
21	GB0430	1	Bulk Fill Large Cap
22	GD19508	1	Small O-Ring
23	GD19509	1	O-Ring, Large



ITEM	PART NO.	QTY.	DESCRIPTION
1	---	-	<a href="#">See "Split Row Push Unit Assembly" on page P63</a>
2	---	-	<a href="#">See "Vacuum Seed Meter" on page P29</a>
3	G11009	2	Locking Thumbscrew, 5/16"-18 x 3/4"
4	GD17052	1	Vacuum Plug
5	G10001	1	Hex Head Cap Screw, 3/8"-16 x 1"
	G10108	1	Lock Nut, 3/8"-16
	G11387	8	Flat Washer, 3/8" SAE
6	G10180301	1	Vacuum Hose Guide
7	G10047	1	Hex Head Cap Screw, 3/8"-16 x 1 3/4"
8	GA20640	1	Seed Meter Clutch Assembly, 11/28 Tooth
9	G10338	2	Carriage Bolt, 5/16"-18 x 1 1/4"
	G10620	2	Serrated Flange Nut, 5/16"-18
10	GB0331	1	Clutch Adapter Plate
11	GB0926	1	Shank Cover
12	GB1313	1	Elbow, 90°, 1.5"
13	GD29413	1	Hopper Shim
14	G10939	2	Hex Head Cap Screw, 3/8"-16 x 2 1/4"
	G11091	4	Serrated Flange Nut, 3/8"-16
15	GB0901	1	Air Dissipator Screen
16	GB0455	1	Bulk Fill Air Pressure Dissipator
17	G10001	2	Hex Head Cap Screw, 3/8"-16 x 1"
18	GA25304	1	Meter Mount W/Inserts
19	GB0717	1	Vacuum Meter Cover Hinge
20	GB0428	1	Vacuum Meter Cover
21	G10064	2	Hex Head Cap Screw, 1/4"-20 x 1"
	G11385	4	Flat Washer, 1/4" SAE
	G10110	2	Lock Nut, 1/4"-20, Grade B
22	GA21309	1	Meter Support Assembly
23	GB0430	1	Bulk Fill Large Cap
24	GD19508	1	Small O-Ring
25	GD19509	1	O-Ring, Large

(103740)

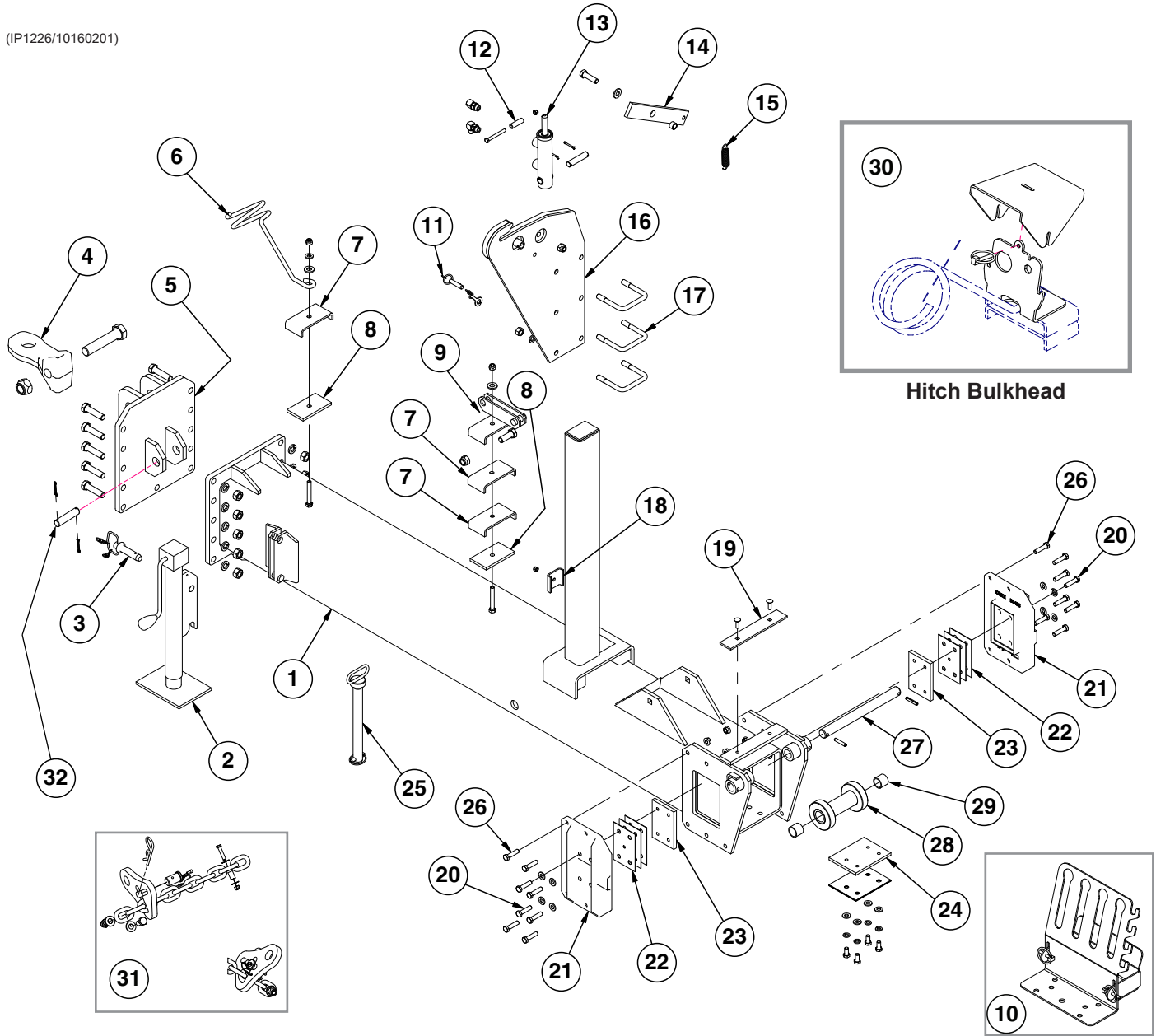




ITEM	PART NO.	QTY.	DESCRIPTION
1	*A12095	1	Hose Assembly, 3/8" x 80" (06F-06F)
2	*A18693-250	1	Hose Assembly, 1/2" x 250" (10F - 1/2M NPTF), W/Extension, W/Tip, 16 Row
	*A18693-237	1	Hose Assembly, 1/2" x 237" (10F - 1/2M NPTF), W/Extension, W/Tip, 12 Row
3	*A12751	1	Hose Assembly, 1/2" x 142 1/2" (10F-10F), 16 Row
	*A1478	1	Hose Assembly, 1/2" x 128" (10F-10F), 12 Row
4	*A1464	1	Hose Assembly, 1/2" x 72" (10F-10F)
5	*A1464	1	Hose Assembly, 1/2" x 72" (10F-10F)
6	*A21533-30	1	Hose Assembly, 3/4" x 30" (12F-12F)
7	*A21548-250	1	Hose Assembly, 5/8" x 250" (12F - 1/2 Male NPTF), W/Extension, W/Tip, 16 Row
	*A21548-237	1	Hose Assembly, 5/8" x 237" (12F - 1/2 Male NPTF), W/Extension, W/Tip, 12 Row
8	*A11442	1	Hose Assembly, 5/8" x 137 1/2" (12F-12F), 16 Row
	*A11459	1	Hose Assembly, 5/8" x 123" (12F-12F), 12 Row
9	*A11443	1	Hose Assembly, 5/8" x 73" (12F-12F)
10	*A11443	1	Hose Assembly, 5/8" x 73" (12F-12F)
11	*A18688-38	1	Hose Assembly, 1/2" x 38" (10F-10F90)
12	*A12752	1	Hose Assembly, 1/2" x 23" (10F-12F)
13	*A12085	1	Hose Assembly, 3/8" x 26" (08F-10F)
14	*A3152	1	Hose Assembly, 3/8" x 62"
15	*A1053	1	Hose Assembly, 3/8" x 72" (08F-08F)
16	*A1027	1	Hose Assembly, 3/8" x 182"
17	*A1030	1	Hose Assembly, 3/8" x 192"
18	G306-10	2	Lock Nut, 7/8"-14
19	G306-12	2	Lock Nut, 1 1/16"-12
20	G2702-10	1	Bulkhead Elbow, 45°, 7/8"-14 Male JIC
21	G2702-12	1	Bulkhead Elbow, 45°, 1 1/16"-12 Male JIC
22	GD25522	1	Hydraulic Tip Cover
23	GA26924-07	1	Hose Label Cover Assembly, Yellow Extend
24	GA26924-08	1	Hose Label Cover Assembly, Yellow Retract
25	GD19383-02	1	Hose Wrap, 40"
26	G6801-08	4	Elbow W/O-Ring, 90°, 3/4"-16 x 3/4"-16
27	G6602-06	1	Swivel Tee, 9/16"-18 JIC
28	G6804-10	1	Adjustable Tee W/O-Ring, 7/8"-14 Male JIC To O-Ring
29	G6804-12	1	Adjustable Tee W/O-Ring, 1 1/16"-12 Male JIC To O-Ring
30	G6400-10	1	Connector W/O-Ring, 7/8"-14 Male JIC To O-Ring
31	G6400-12	1	Connector, W/O-Ring, 1 1/16"-12 Male JIC To O-Ring
32	G2700-10	1	Union, Bulkhead 7/8"-14 JIC
33	G2700-12	1	Union, Bulkhead 1-1/16"-12 JIC

\*Hydraulic hose is not stocked by Kinze Repair Parts.

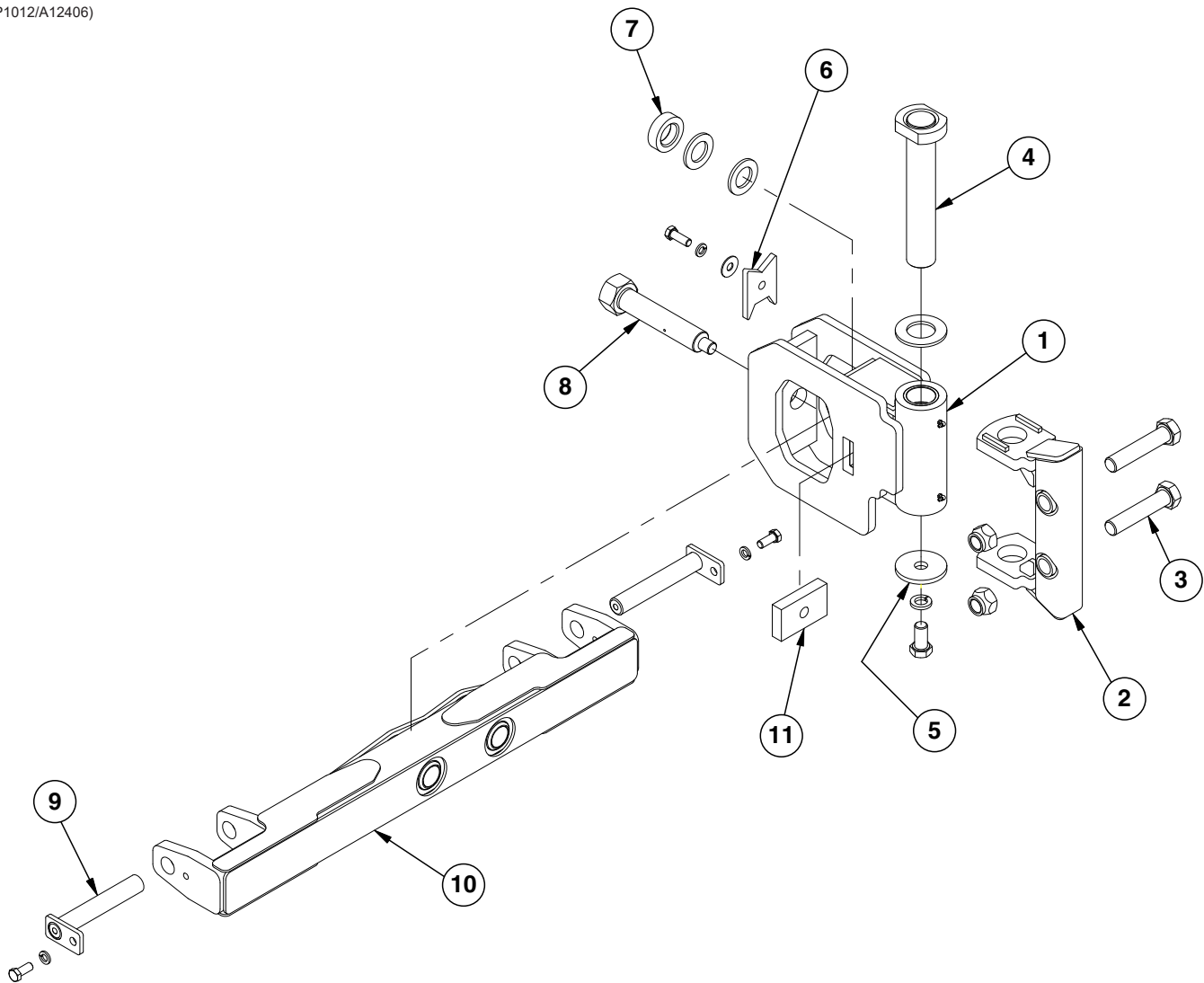
(IP1226/10160201)



ITEM	PART NO.	QTY.	DESCRIPTION
1	A14310	-	Outer Hitch, 12 Row <b>(Non-Stock Item)</b>
	A18288	-	Outer Hitch, 16 Row <b>(Non-Stock Item)</b>
2	GA13986	1	Jack Assembly Complete
	GR2152	1	Crank Repair Kit (Included W/GA13986)
	GR2153	1	Bevel Gear Set, Includes: (2) Bevel Gears, (1) Gear Pin, (1) Groove Pin (Included W/GA13986)
3	GA4995	1	Detent Pin Assembly
4	G10694601	1	Ball Hitch Assembly
	G10169	1	Hex Head Cap Screw, 1 1/4"-7 x 6"
	G10157	1	Lock Nut, 1 1/4"-7
5	GA9837	1	Hitch Mount
	G10028	11	Hex Head Cap Screw, 3/4"-10 x 3"
	G11392	22	Flat Washer, 3/4" SAE
	G10105	11	Hex Nut, 3/4"-10

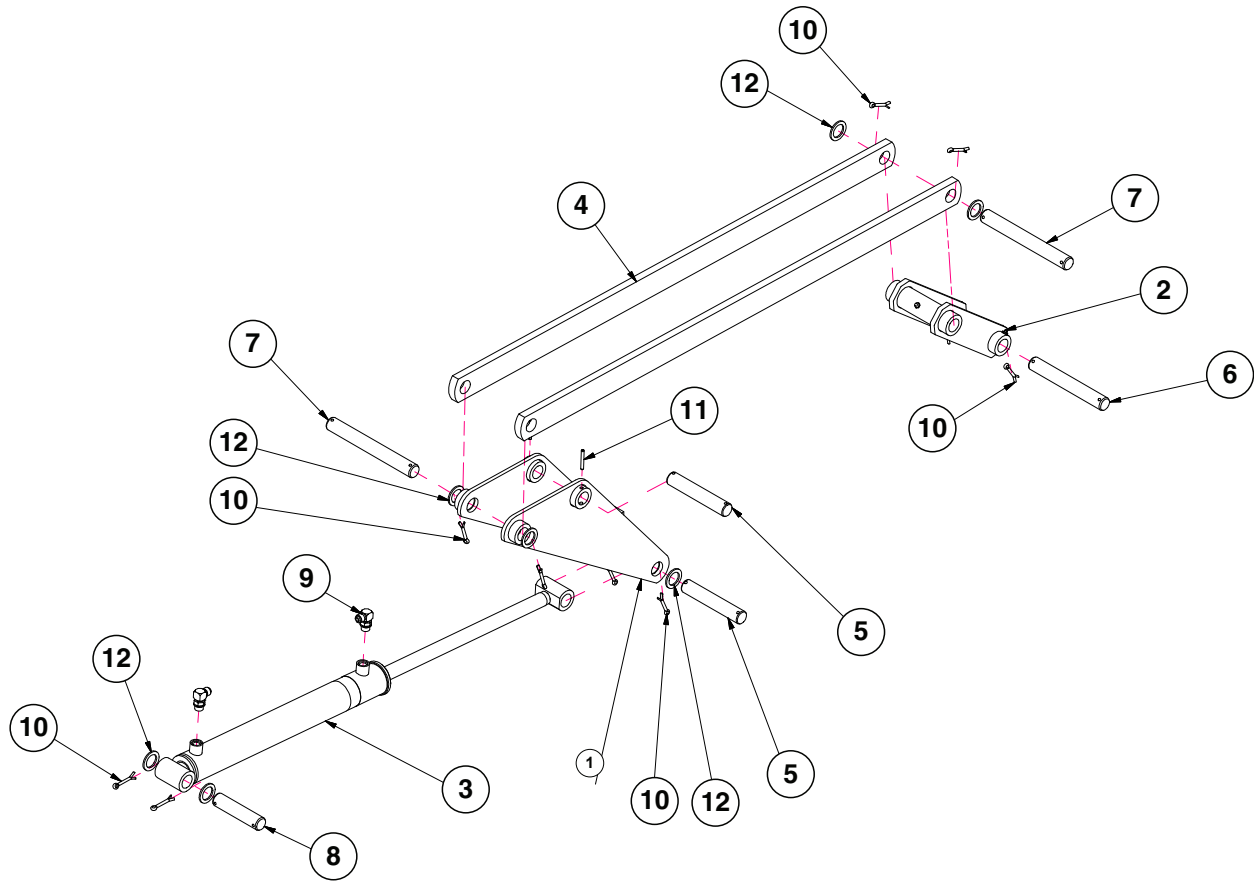
ITEM	PART NO.	QTY.	DESCRIPTION
6	GD8260	1	Hose Holder
	G11391	1	Flat Washer, 5/8", SAE
	G11389	1	Flat Washer, 1/2", SAE
	G10111	1	Lock Nut, 1/2"-13
7	GD8188	3	Hose Clamp, 7/8" x 3" x 5 3/8"
8	GD8189	2	Rubber Strip, 3/8"
9	GA5842	1	Bracket, Jack Mount
	G10026	1	Hex Head Cap Screw, 3/4"-10 x 2"
	G10112	1	Lock Nut, 3/4"-10
10	GA25760	1	Hydraulic Hose Holder
	GD2558	-	Lynch Pin, 1/4" (Included W/GA25760)
	GA25763	-	Hydraulic Hose Holder Cup (Included W/GA25760)
	GD35727	-	Hydraulic Hose Holder (Included W/GA25760)
11	GA7022	1	Detent Pin W/Chain (Transport Latch Locking Pin)
12	GD2971-09	1	Sleeve, 2" Long
	G10809	1	Hex Head Cap Screw, 3/8"-16 x 3/4"
	G10108	1	Lock Nut, 3/8"-16
13	GA9559	1	<a href="#">See "Transport Latch Cylinder" on page P174</a>
	G6801-06-08	2	Elbow W/O-Ring, 90°, 1/16"-18 Male JIC To 3/4"-16 O-Ring
	GD7137	1	Pin, 3/4" x 3 3/8"
	G10457	2	Cotter Pin, 5/32" x 1 1/2"
14	GA7016	1	Catch Bar
	GB0218	1	Bushing, 2 1/32" I.D. x 7/8" O.D. x 1 9/32" Long
	G10006	1	Hex Head Cap Screw, 5/8"-11 x 2 1/4"
	G10107	1	Lock Nut, 5/8"-11
	G11391	1	Flat Washer, 5/8", SAE
15	GD5857	1	Spring
16	GA7433	1	Transport Catch
	G10765	1	Spring Pin, 1/4" x 1"
17	GD32368	3	U-Bolt, 3" x 4" x 5/8"-11
	G11391	7	Flat Washer, 5/8", SAE
	G10107	6	Lock Nut, 5/8"-11
18	GD5875	1	Hose Clamp, 9/16" x 2 1/2" x 2"
	G10108	1	Lock Nut, 3/8"-16
19	GD20728	1	Spacer Bar
	G10599	2	Carriage Bolt, 3/8"-16 x 1 1/4"
	G10108	2	Lock Nut, 3/8"-16
20	G10016	4	Hex Head Cap Screw, 1/2"-13 x 2"
	G11389	4	Flat Washer, 1/2", SAE
21	GB0458	1	Wear Pad Retainer, L.H. and R.H.
22	GD3501	3	Shim, 4" x 6"
23	GD9960	1	Wear Pad, Nylatron, 4" x 6" (As Required)
24	GD7518	1	Shim, 3/8"
	GD7519	3	Shim, 16 Gauge (.0598")
	G10014	4	Hex Head Cap Screw, 1/2"-13 x 1"
	G10228	4	Lock Washer, 1/2"
	G11389	4	Flat Washer, 1/2" Plated SAE
	GA13768	1	Safety Pin, 12 3/4"
26	G10016	8	Hex Head Cap Screw, 1/2"-13 x 2"
	G10071	8	Serrated Flange Nut, 1/2"-13
27	GD7251	1	Pin, 1 1/4" x 14"
	G10610	2	Spring Pin, 3/8" x 2"
28	GA4843	1	Roller
29	GD6556	2	Bronze Bushing
30	GD35761	1	Bulkhead Cover
	G10163001	1	Hitch Bulkhead
	GD2558	1	Lynch Pin, 1/4"
31	G9978X	1	Safety Chain Package
32	GD0826	1	Pin, 1 1/4" x 5 1/2"
	G10460	2	Cotter Pin, 1/4" x 2"
A	GA14943	-	Wear Pad Retainer Assembly, (Items 20-23)
B	GA4842	-	Roller Assembly, (Items 28 and 29)

(IP1012/A12406)



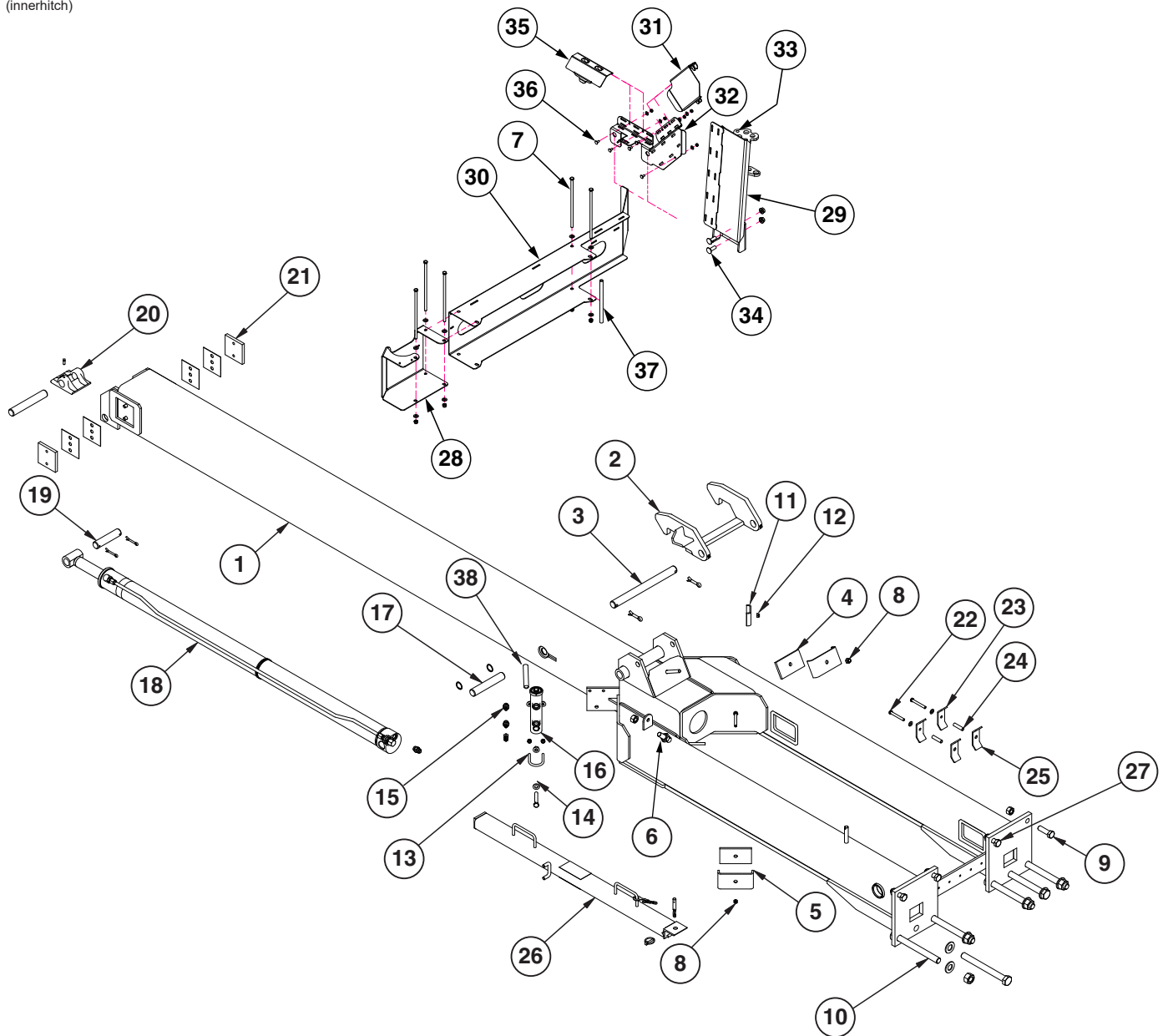
ITEM	PART NO.	QTY.	DESCRIPTION
1	GA13665	1	Hitch Pivot
2	GA13783	1	Pivot Mount
3	G10169	2	Hex Head Cap Screw, 1 1/4"-7 x 6"
	G10157	2	Lock Nut, 1 1/4"-7
4	GA12163	1	Pin, 13 3/8"
	GD15725	1	Washer, 4" O.D. x 2 1/4" I.D. x 1/4"
5	GD17245	1	Washer, 4" O.D. x 1 1/32" I.D. x 3/8"
	G11223	1	Hex Head Cap Screw, 1"-8 x 2"
	G10118	1	Lock Washer, 1"
6	GD15100	1	Pivot Lock
	G11391	1	Flat Washer, 5/8" SAE
	G10005	1	Hex Head Cap Screw, 7/8"-11 x 1 1/4"
7	GD16226	1	Sleeve, 3" O.D. x 1 25/32" x 29/32" Thick
	GD16303	2	Washer, 3" O.D. x 1 25/32" x 1/4" Thick
8	GA13673	1	Pivot Pin
9	GA11079	2	Hammer Strap, Category 3 And 3N
	G10007	2	Hex Head Cap Screw, 5/8"-11 x 1 1/2"
	G10230	2	Lock Washer, 5/8"
10	GA12164	1	Hitch Bar
11	GD19468	1	Tapped Bar

(10159001)



ITEM	PART NO.	QTY.	DESCRIPTION
1	GA7019	1	Toggle Link
2	GA7018	1	Wing Link
3	GA21115	1	<a href="#">See "Wing Lock Cylinder" on page P173</a>
4	GD10049	2	Wing Link Bar
5	GD9955	2	Pin, 1 1/4" x 7"
6	GD9963	1	Pin, 1 1/4" x 9"
7	GD9964	2	Pin, 1 1/4" x 10 1/2"
8	GD0826	1	Pin, 1 1/4" x 5 1/2"
9	G6801-08	2	Elbow W/O-Ring, 90°, 3/4"-16 x 3/4"-16
10	G10460	10	Cotter Pin, 1/4" x 2"
11	G10606	2	Spring Pin, 1/4" x 2"
12	G10159	8	Washer, 1 1/8", 10 Gauge (.1345")

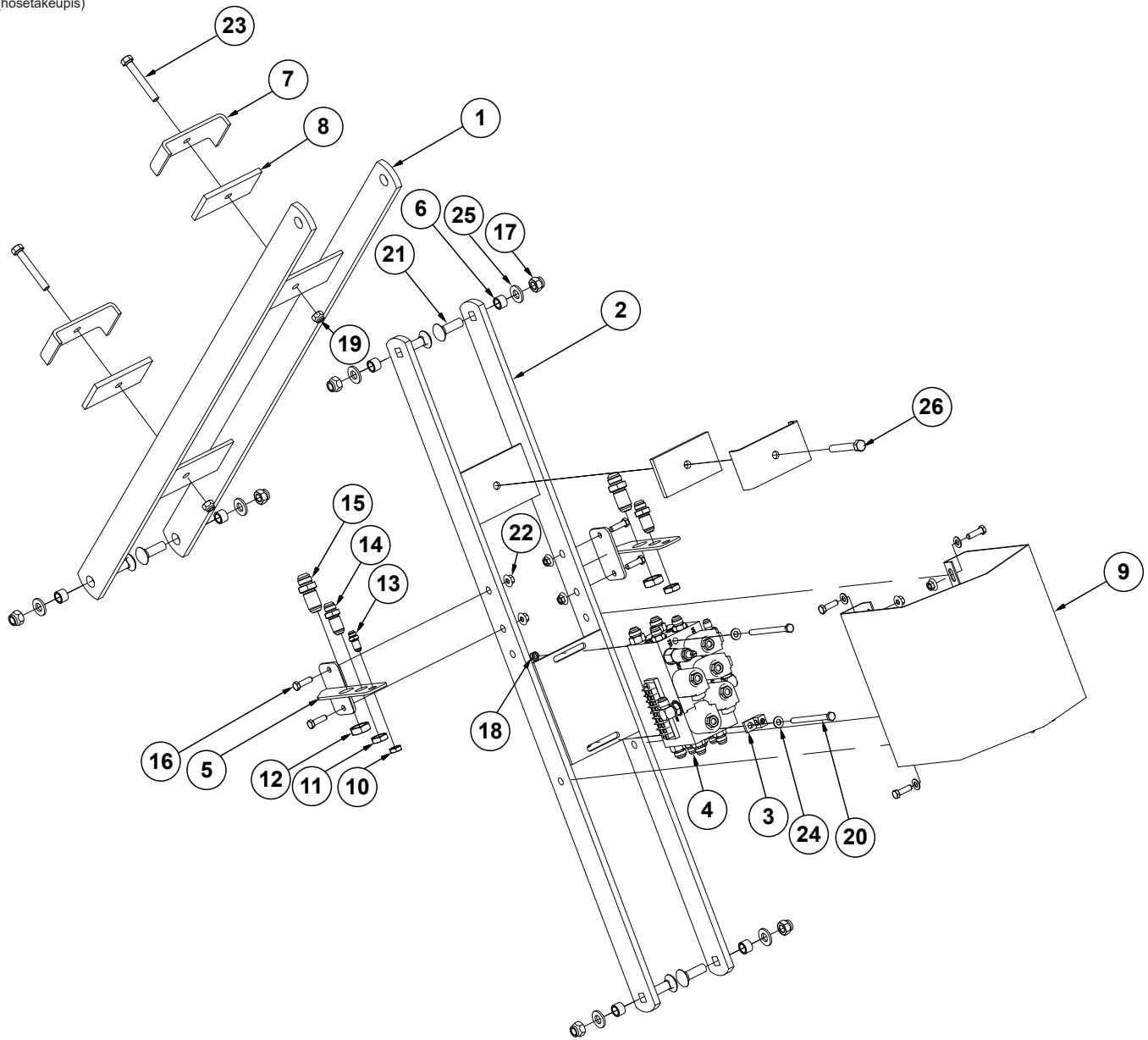
(innerhitch)



ITEM	PART NO.	QTY.	DESCRIPTION
1	A18957	1	Inner Hitch, 12 Row <b>(Non-Stock Item)</b>
	A18289	1	Inner Hitch, 16 Row <b>(Non-Stock Item)</b>
2	GA7424	1	Tongue Hook W/Grease Fittings Grease Fitting, 1/8" NPT
	G10641	2	Grease Fitting, 1/8" NPT (Included W/GA7424)
3	GD7883	1	Pin, 1 1/4" x 14 1/2"
	G10468	2	Cotter Pin, 3/8" x 2"
4	GD8189	2	Rubber Strip, 3/8"
5	GD8188	2	Hose Clamp, 7/8" x 3" x 5 3/8"
6	GD19655	1	Hold Up Pin, 1/2"-13
	G10071	1	Serrated Flange Nut, 1/2"-13
7	G11975	5	Hex Head Cap Screw, 3/8"-16 x 10", Grade 5
	G10108	5	Lock Nut, 3/8"-16
	G11387	10	Flat Washer, 3/8" SAE
8	G10111	1	Lock Nut, 1/2"-13
	G11387	1	Flat Washer, 3/8"

ITEM	PART NO.	QTY.	DESCRIPTION
9	G11313	3	Hex Head Cap Screw, 3/4"-10 x 3, Grade 8
	GD2169	5	Special Washer, 25/32" I.D. x 1 1/4" O.D., Hardened
	G10436	3	Hex Nut, 3/4"-10
10	G10808	6	Hex Head Cap Screw, 1"-8 x 10", Grade 8
	G11394	12	Flat Washer, 1" SAE
	G10647	6	Hex Nut, 1"-8, Grade 8
11	GD5875	1	Hose Clamp, 9/16" x 2 1/2" x 2"
12	G10108	2	Lock Nut, 3/8"-16
13	GD10530	1	U-Bolt, 2 1/8" x 1 7/8" x 3/8"-16
	G10101	2	Hex Nut, 3/8"-16
	G11091	2	Serrated Flange Nut, 3/8"-16
14	G11389	1	Flat Washer, 1/2" SAE
	G10585	1	Hex Head Cap Screw, 1/2"-13 x 3 1/4"
	G10071	1	Serrated Flange Nut, 1/2"-13
15	G6400-06-08	2	Connector W/O-Ring, 9/16"-18 Male JIC To 3/4"-16 O-Ring
	GR1037	-	O-Ring
16	GA9205	1	<a href="#">See "Tongue Lock Cylinder" on page P174</a>
17	GD3537-20	1	Shaft, 1 1/4" x 7 1/8"
	G11230	2	Retaining Ring
18	---	-	<a href="#">See "Tongue Cylinder" on page P175</a>
	G6400-08	1	Connector W/O-Ring, 3/4"-16 Male JIC To O-Ring
	GR1037	-	O-Ring
19	GD0826	1	Pin, 1 1/4" x 5 1/2"
	G10460	2	Cotter Pin, 1/4" x 2"
20	GB0246	1	Hitch Shoe
	GD3537-12	1	Shaft, 1 1/4" x 8", 16 Row 30"
	G10131	1	Square Head Set Screw, 5/16"-18 x 3/4"
21	GD9959	2	Wear Pad, Nylatron, 4" x 4"
	GD5154	4	Shim, 4" x 4"
	G10017	4	Hex Head Cap Screw, 1/2"-13 x 1 1/2"
	G11389	4	Flat Washer, 1/2" SAE
22	G10062	2	Hex Head Cap Screw, 3/8"-16 x 3" (Vacuum/Bulk Fill)
23	GD21746	2	Hose Clamp
24	GD11963-08	2	Tube, 1/2" O.D. x 2"
25	GD23020	2	Hose Clamp
26	GA7098	1	Manual Safety Lockup W/Detent Pin
	GA7022	1	Detent Pin W/Chain (Included W/GA7098)
	GD2558	1	Lynch Pin, 1/4" (Included W/GA7022 and GA7098)
27	G10437	1	Hex Head Cap Screw, 3/4"-8 x 2 1/2", Grade 8
	G11314	1	Serrated Flange Nut, 3/4"-10
28	G10091001	1	Debris Shield
29	G10091901	1	Bulkhead Mount
30	G10090901	1	Harness Channel
31	G10090801	1	Diagonal Harness Cover
32	G10091101	1	Center Framce Electric Plate
33	G10102	1	Hex Nut, 1/2"-13
	GA6608	1	Cable Guide
34	G10636	2	Carriage Bolt, 1/2"-13 x 1 1/2"
	G10071	2	Serrated Flange Nut, 1/2"-13
35	G10091201	1	Center Cover
36	G10309	5	Carriage Bolt, 1/4"-20 x 5/8", Grade 5
	G10103	5	Hex Nut, 1/4"-20
	G11385	5	Flat Washer, 1/4" SAE
37	G10091301	2	Tube, 9/16" O.D. x .433 I.D. x 8.688
38	GD10538-01	1	Sleeve, 3/4" OD X .532 ID X 2.063

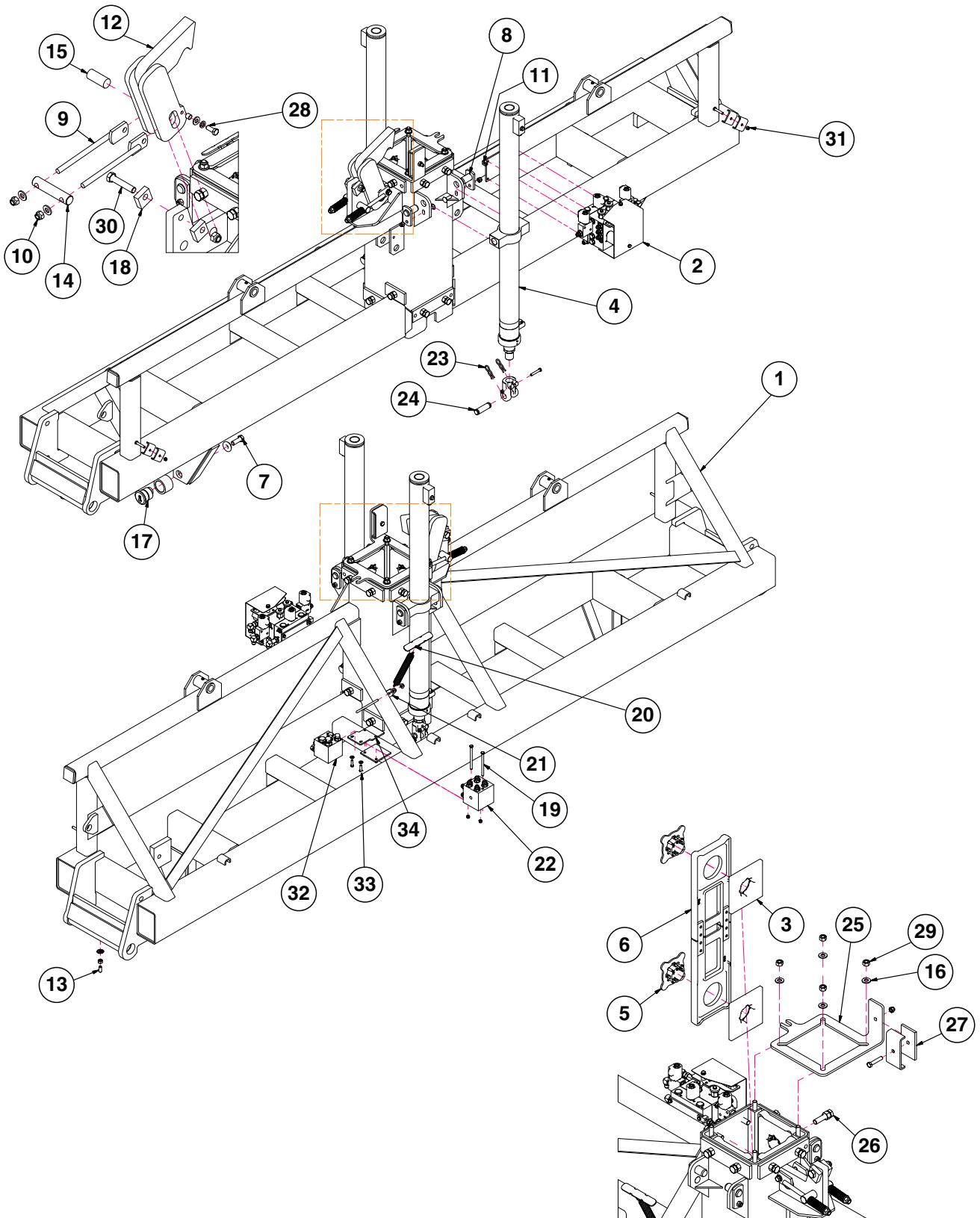
(hosetakeupis)





ITEM	PART NO.	QTY.	DESCRIPTION
1	GA18961	1	Front Hose Take-Up, 12 Row
	GA18296	1	Front Hose Take-Up, 16 Row
2	GA18960	1	Rear Hose Take-Up, 12 Row
	GA18297	1	Rear Hose Take-Up, 16 Row
3	GA3584	-	Ground Clamp
4	GA7023	-	<a href="#">See "Valve Block - Located on Hitch" on page 183</a>
5	GA14519	2	Hose Take-Up Bulk Head
6	GB0218	6	Bushing, 2 <sup>1</sup> / <sub>32</sub> " I.D. x 7 <sup>7</sup> / <sub>8</sub> " O.D. x 1 <sup>9</sup> / <sub>32</sub> " Long
7	GD8188	2-3	Hose Clamp, 7 <sup>7</sup> / <sub>8</sub> " x 3" x 5 <sup>3</sup> / <sub>8</sub> "
8	GD8189	2-3	Rubber Pad
9	GD9952	1	Cover
	G10004	8	Hex Head Cap Screw, 3 <sup>8</sup> / <sub>8</sub> "-16 x 1 <sup>1</sup> / <sub>4</sub> "
	G11091	8	Serrated Flange Nut, 3 <sup>8</sup> / <sub>8</sub> "-16
10	G306-06	1	Lock Nut, 9 <sup>1</sup> / <sub>16</sub> "-18
11	G306-10	2	Lock Nut, 7 <sup>7</sup> / <sub>8</sub> "-14
12	G306-12	2	Lock Nut, 1 <sup>1</sup> / <sub>16</sub> "-12
13	G2700-06-06	-	Bulkhead Tube Union, 9 <sup>1</sup> / <sub>16</sub> "-18 Male JIC
14	G2700-10	-	Bulkhead Tube Union, 7 <sup>7</sup> / <sub>8</sub> "-14 Male JIC
15	G2702-12	-	45° Bulkhead Tube Union, 1 <sup>1</sup> / <sub>16</sub> "-12 Male JIC
16	G10004	-	Hex Head Cap Screw, 3 <sup>8</sup> / <sub>8</sub> "-16 x 1 <sup>1</sup> / <sub>4</sub> "
17	G10107	-	Lock Nut, 5 <sup>8</sup> / <sub>8</sub> "-11
18	G10108	-	Lock Nut, 3 <sup>8</sup> / <sub>8</sub> "-16
19	G10111	3	Lock Nut, 1 <sup>1</sup> / <sub>2</sub> "-13
20	G10172	2	Hex Head Cap Screw, 3 <sup>8</sup> / <sub>8</sub> "-16 x 5"
21	G10689	6	Carriage Bolt, 5 <sup>8</sup> / <sub>8</sub> "-11 x 2"
22	G11091	-	Serrated Flange Nut, 3 <sup>8</sup> / <sub>8</sub> "-16
23	G11232	2	Hex Head Cap Screw, 1 <sup>1</sup> / <sub>2</sub> "-13 x 4", Grade 5
24	G11387	6	Flat Washer, 3 <sup>8</sup> / <sub>8</sub> " SAE
25	G11391	6	Flat Washer, 5 <sup>8</sup> / <sub>8</sub> " SAE
26	G11170	1	Hex Head Tap Bolt, 1 <sup>1</sup> / <sub>2</sub> "-13 x 3 <sup>1</sup> / <sub>2</sub> "

(101563)



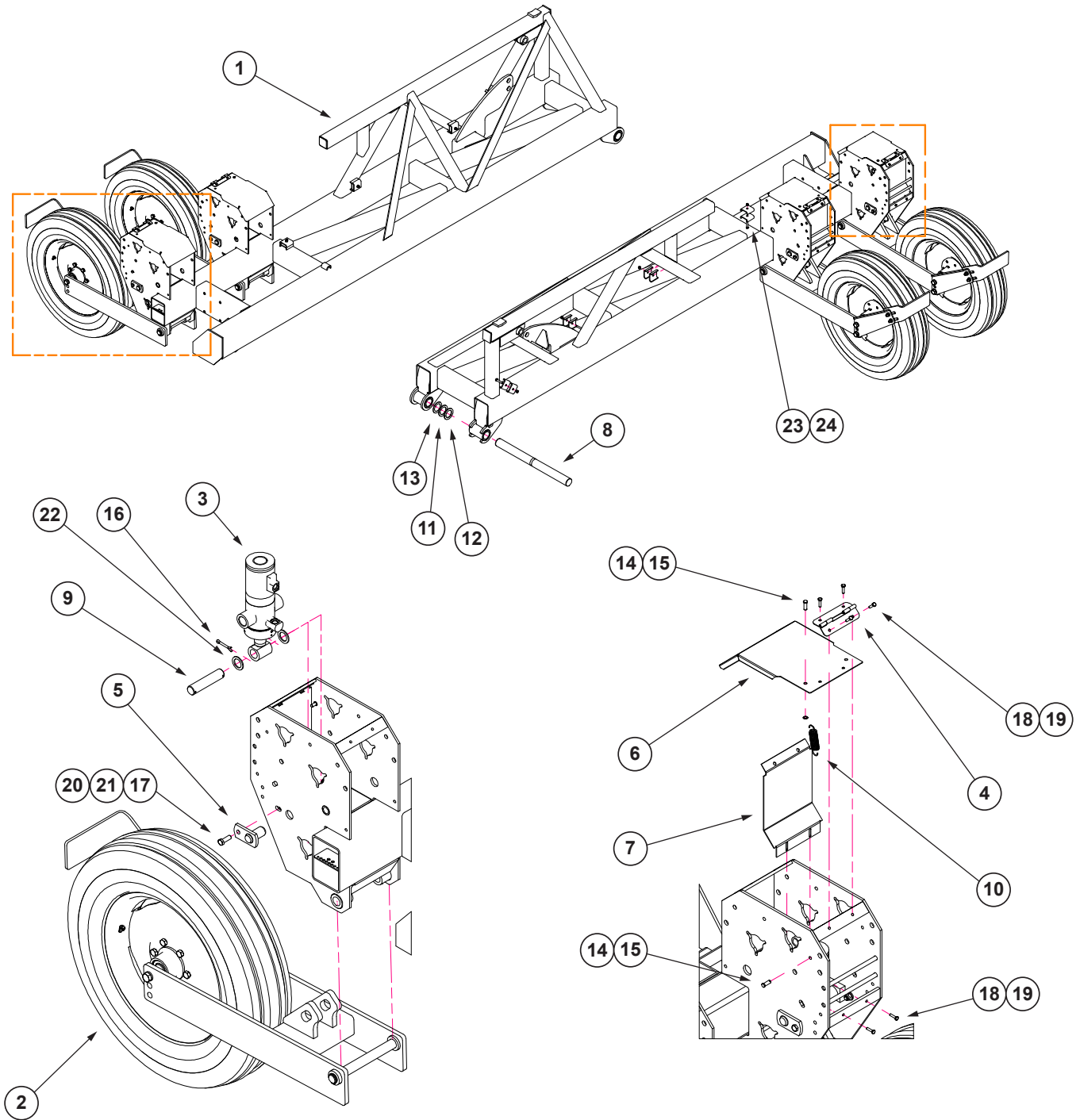
ITEM	PART NO.	QTY.	DESCRIPTION
1	GA18281	1	Center Frame
2	---	-	<a href="#">See "Valve Blocks - Located on R.H. Rear Center Frame" on page P181</a>
	GA9481	1	Jumper Wire, 13", Green
3	GB0867	8	Wear Pad
4	GA21771	2	Cylinder with Clevis
5	G10851101	8	Wear Pad Retainer
6	GA7579	4	Pad Holder Assembly
7	GB0409	2	Spring Washer
	G10026	2	Hex Head Cap Screw, 3/4"-10 x 2"
8	GA5121	4	Pin, 2 1/8"
	G10636	4	Carriage Bolt, 1/2"-13 x 1 1/2"
	G10111	4	Lock Nut, 1/2"-13
9	GA6943	2	Spring Rod
	GD10006	2	Spring
10	G10107	2	Lock Nut, 5/8"-11
	G11391	2	Flat Washer, 5/8" SAE
11	GA3584	1	Ground Clamp
12	GA7390	1	Transport Hook
13	G10828	2	Hex Socket Set Screw, 1/2"-13 x 1 1/4"
	G10102	2	Hex Nut, 1/2"-13
	G10527	2	Lock Washer, 1/2" Internal/External
14	GD9870	1	Pin, 1 1/4" x 6"
15	GD9898	1	Pin, 1 1/4" x 2 15/16"
16	G11391	4	Flat Washer, 5/8" SAE
17	GA6497	2	Cam Follower W/Grease Fitting
	GD10532	2	Sleeve
18	GD10492	2	Adjustment Block
19	G10172	2	Hex Head Cap Screw, 3/8"-16 x 5"
	G10108	2	Lock Nut, 3/8"-16
20	GA13934	1	Hose Anchor
	GD0829	1	Spring
21	GD20696	1	Hose Anchor
	GD19212	1	U-Bolt, 2 1/2" x 3/8"-16
	G11091	2	Serrated Flange Nut, 3/8"-16
22	GA7039	1	Manifold Block
23	GR0193	4	Hair Pin Clip
24	GR0375	2	Pin, 1" x 3 1/2"
25	GD9968	1	Post Cap Plate
26	GA11913	16	Hex Head Tap Bolt
27	G10111	1	Lock Nut, 1/2"-13
	GD8188	1	Hose Clamp, 7/8" x 3" x 5 3/8"
	GD8189	1	Rubber Strip, 3/8"
	G10053	1	Hex Head Cap Screw, 1/2"-13 x 2 1/2"
28	GD7904-02	2	Sleeve, 1/2" x 1/2" Long
	G10037	2	Hex Head Cap Screw, 1/2"-13 X 1 1/4"
	G10228	2	Lock Washer, 1/2"
	G11389	2	Flat Washer, 1/2" Plated SAE
29	G10104	4	Hex Nut, 5/8"-11
30	G10085	1	Hex Head Cap Screw, 3/4"-10 x 3 3/4"
	G10112	1	Lock Nut, 3/4"-10
31	G10108	2	Lock Nut, 3/8"-16
	GD5875	2	Hose Clamp, 9/16" x 2 1/2" x 2"
32	GA24231	1	<a href="#">See "Fan Junction Block" on page P180</a>
	G304-C-10	3	Cap Nut, 7/8"-14
	G304-C-12	3	Cap Nut, 1 1/16"-12

---

ITEM	PART NO.	QTY.	DESCRIPTION
33	G11387	2	Flat Washer, 3/8" SAE
	G10004	2	Hex Head Cap Screw, 3/8"-16 x 1 1/4"
34	GD20695	1	Extension Plate

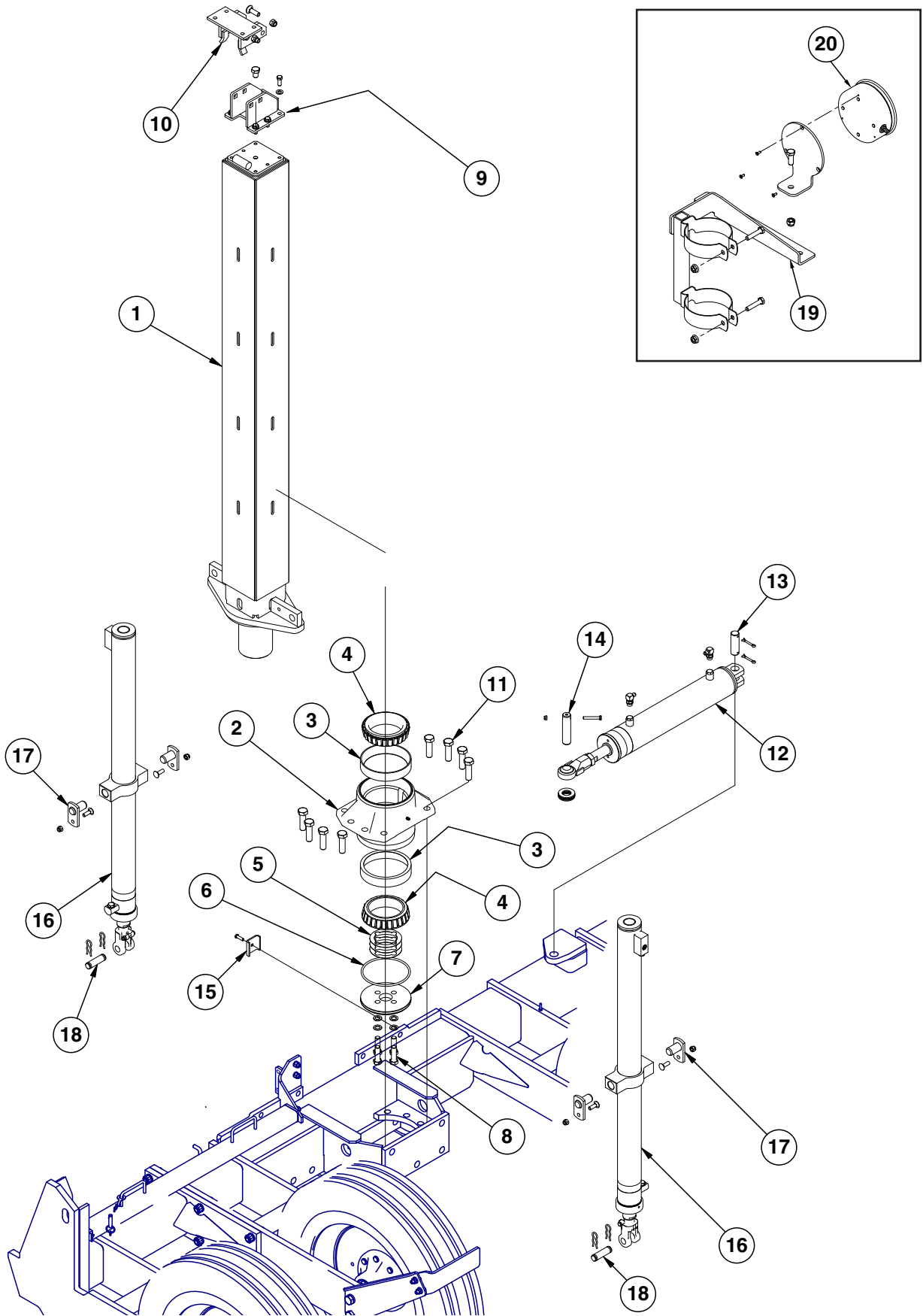
**This page left blank intentionally.**

(101576)



ITEM	PART NO.	QTY. 16R	QTY. 12R	DESCRIPTION
1	A18955	-	1	L.H. Wing, 12 Row ( <b>Non-Stock Item</b> )
	A18956	-	1	R.H. Wing, 12 Row( <b>Non-Stock Item</b> )
	A18295	1	-	L.H. Wing, 16 Row (Two Wheel Towers Per Wing) ( <b>Non-Stock Item</b> )
	A18294	1	-	R.H. Wing, 16 Row (Two Wheel Towers Per Wing) ( <b>Non-Stock Item</b> )
2	---	2	1	<a href="#">See "Ground Drive Wheel" on page P144</a>
3	---	-	1	<a href="#">See "Wing Lift Cylinder, 12 Row" on page P169</a>
		2	-	<a href="#">See "Wing Lift Cylinder, 16 Row" on page P170</a>
4	GA13790	4	2	Slip Joint Hinge Assembly
5	GA5121	4	2	Pin, 2 1/8"
6	GD10298	2	1	Cover, Wheel Tower
7	GD6895	2	1	Shield
8	GD10531	1	1	Hinge Pin, 2 1/8" x 25 3/4"
9	GD5841	2	1	Pin, 1 1/4" x 5 5/8"
10	GD5857	2	1	Spring
11	G10234	1	1	Machine Bushing, 2 1/8", 10 Gauge (.1345")
12	G10404	1	1	Machine Bushing, 3 1/8" x 2 1/8" x 3/16"
13	G10336	1	1	Machine Bushing, 2 1/8", 14 Gauge (.0747")
14	G10860	4	2	Retaining Ring, 3/8"
15	G10870	4	2	Clevis Pin, 3/8" x 1"
16	G10460	4	2	Cotter Pin, 1/4" x 2"
17	G10017	4	2	Hex Head Cap Screw, 1/2"-13 x 1 1/2"
18	G10064	12	6	Hex Head Cap Screw, 1/4"-20 x 1"
19	G10621	12	16	Serrated Flange Nut, 1/4"-20
20	G10111	4	2	Lock Nut, 1/2"-13
21	G11389	4	2	Flat Washer, 1/2" Plated SAE
22	G10159	4	2	Washer, 1 7/8", 10 Gauge (.1345")
23	G10108	4	3	Lock Nut, 3/8"-16
24	GD5875	8	6	Hose Clamp, 9/16" x 2 1/2" x 2"

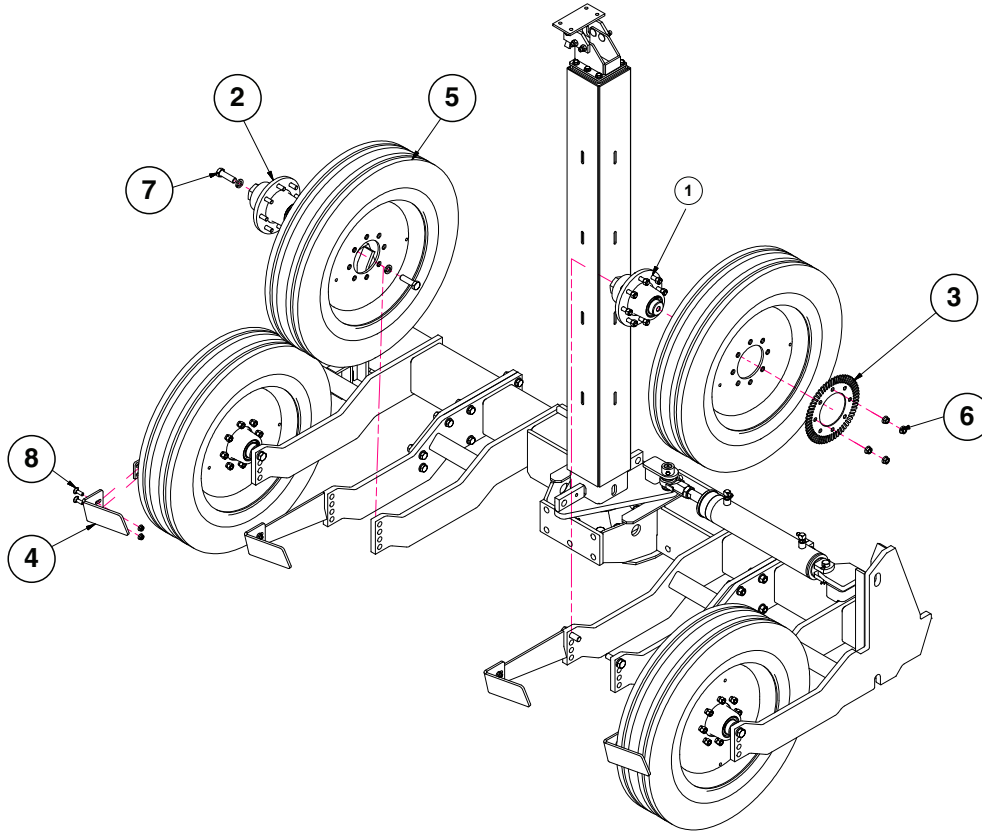
(IP1230/IP1287)





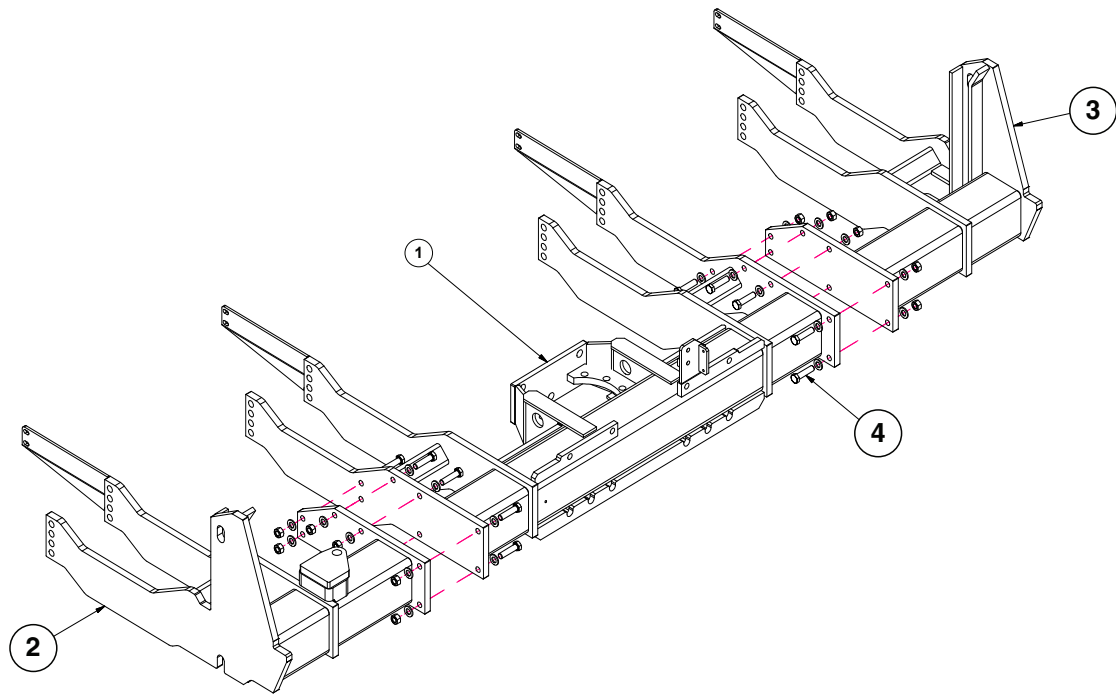
ITEM	PART NO.	QTY.	DESCRIPTION
1	GA18318	1	Center Post
2	GA20687	1	Bearing Housing W/Cups, Less Grease Fitting (Includes Item No. 3)
	G10779	1	Grease Fitting, 90°, ¼"-28 (Included W/GA20687)
3	GD10011	2	Cup (Included W/GA20687)
4	GA7096	2	Cone
5	GD10013	1	Shim, .020" Thick (As Required)
	GD10014	1	Shim, .007" Thick (As Required)
	GD10012	1	Shim, .005" Thick (As Required)
6	GD9130	1	O-Ring
7	GD9636	1	Bearing Cap
8	G10027	4	Hex Head Cap Screw, ¾"-10 x 2½"
	GD2169	4	Special Washer, <sup>25</sup> / <sub>32</sub> " I.D. x 1¼" O.D., Hardened
9	GA18316	1	Transport Hook
	G11389	-	Flat Washer, ½" Plated SAE
	G10037	-	Hex Head Cap Screw, ½"-13 X 1¼"
	G10025	-	Hex Head Cap Screw, ¾"-10 x 1½"
	G11392	-	Flat Washer, ¾" SAE
10	G10011	1	Hex Head Cap Screw, ⅝"-11 x 5½"
	G10107	1	Lock Nut, ⅝"-11
	GD10446	1	Sleeve, 3 <sup>13</sup> / <sub>16</sub> "
	GD10447	1	Sleeve, 3 <sup>5</sup> / <sub>8</sub> "
	GA6964	1	Hook Strap
	G10689	4	Carriage Bolt, ⅝"-11 x 2"
	G10107	4	Lock Nut, ⅝"-11
	G10689	4	Carriage Bolt, ⅝"-11 x 2"
11	G10329	8	Hex Head Cap Screw, ⅞"-9 x 3½", Grade 8
	GD10063	16	Hardened Washer, ⅞"
	G10955	8	Hex Nut, ⅞"-9
12	GA8904	1	<a href="#">See "Rotation Cylinder" on page P168</a>
	G6801-06-08	2	Elbow W/O-Ring, 90°, ⅝"-18 Male JIC To ¾"-16 O-Ring
	GR1037	1	O-Ring
13	GD10064	1	Pin, 1¼" x 5¼"
	G10460	2	Cotter Pin, ¼" x 2"
14	GD10092	1	Pin, 1¼" x 5¼"
	G10108	1	Lock Nut, ⅜"-16
	G10049	1	Hex Head Cap Screw, ⅜"-16 x 2½"
	G11396	4	Flat Washer, 1¼"
15	GD5875	1	Hose Clamp, ⅝" x 2½" x 2"
	G10004	1	Hex Head Cap Screw, ⅜"-16 x 1¼"
16	---	2	<a href="#">See "Center Lift Cylinder" on page P171</a>
17	GA5121	4	Pin, 2⅝"
	G10111	4	Lock Nut, ½"-13
	G10636	4	Carriage Bolt, ½"-13 x 1½"
18	GR0375	2	Pin, 1" x 3½"
	GR0193	4	Hair Pin Clip
19	GA14600	1	Pressure Gauge Mount ( <b>Ground Contact Drive</b> )
	G10060	2	Hex Head Cap Screw, ⅝"-18 x 2½" ( <b>Ground Contact Drive</b> )
	G10620	2	Serrated Flange Nut, ⅝"-18 ( <b>Ground Contact Drive</b> )
20	---	-	<a href="#">See "Vacuum System" on page P85</a>

(101561)

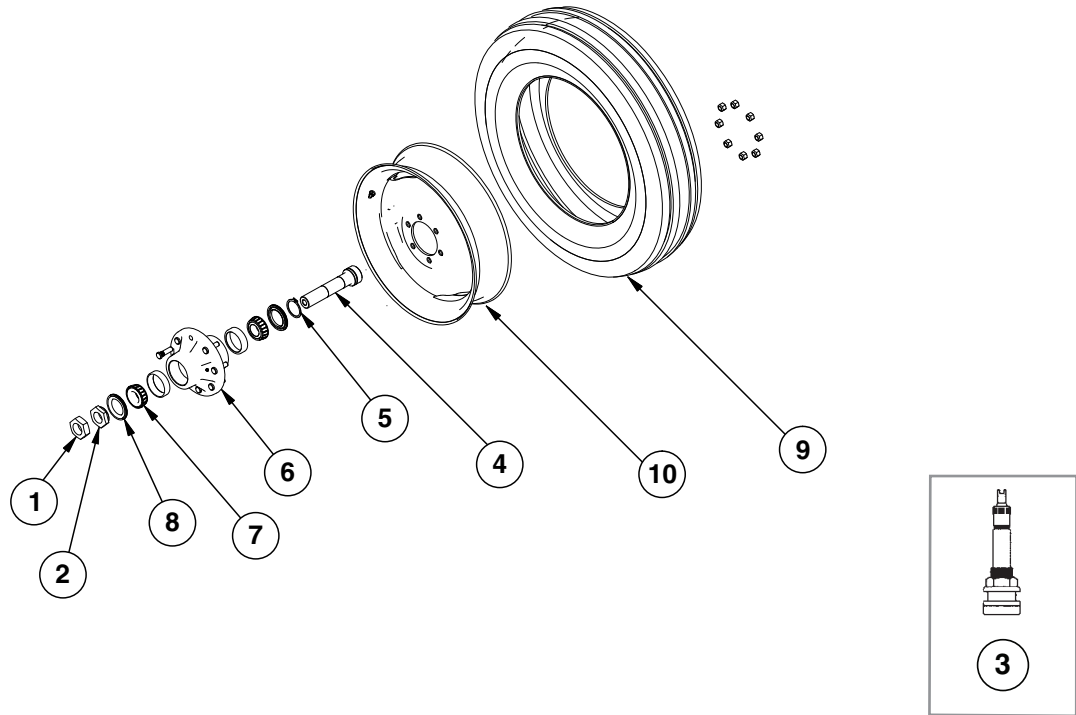


ITEM	PART NO.	QTY.	DESCRIPTION
1	GA27032	1	<a href="#">See "Center Frame Wheel" on page P143</a>
2	GA4736	3	<a href="#">See "Center Frame Wheel" on page P143</a>
3	GD18643	1	Jump Start
4	GD34177	4	Mud Scraper Bar
5	G10928301	4	Tire/Rim Assembly
6	G11254	4	Serrated Flange Nut, 5/8"-18
7	G10441	8	Hex Head Cap Screw, 7/8"-9 x 3", Grade 8
	G10330	8	Lock Washer, 7/8"
8	G10636	8	Carriage Bolt, 1/2"-13 x 1 1/2"
	G10071	8	Serrated Flange Nut, 1/2"-13

(101704)



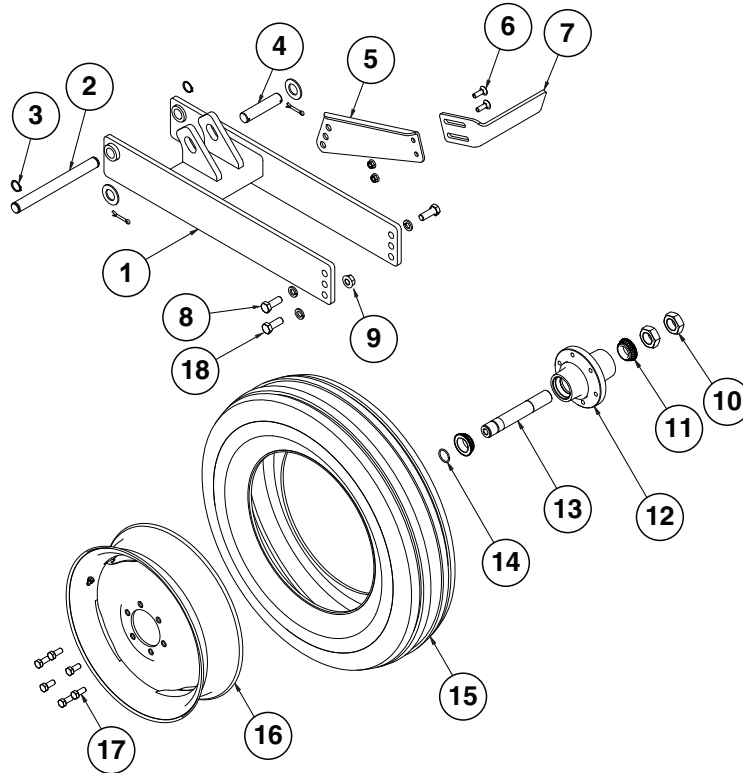
ITEM	PART NO.	QTY.	DESCRIPTION
1	GA25293	1	Center Axle
2	GA25291	1	R.H. Axle Wheel Arm
3	GA25292	1	L.H. Axle Wheel Arm
4	G10028	14	Hex Head Cap Screw, 3/4"-10 x 3"
	G10105	14	Hex Nut, 3/4"-10
	G11392	28	Flat Washer, 3/4" SAE



ITEM	PART NO.	QTY. (Per Assy.)	DESCRIPTION
1	GD7864	1	Special Hex Nut, 1 3/4"-12 UNF
2	GD7089	1	Special Nut, 1 3/4"-12 UNF
3	GA7434	1	Valve Stem
4	GD11245	1	Spindle Shaft
5	G10913	1	External Retaining Ring, 2 1/2"
6	GD7571	1	Hub, 8 Bolt,
	GR0528	8	Stud, 5/8"-18 x 2 1/4", Grade 8 ( <b>Sub to GD18676 for Center R.H. Wheel</b> )
	GD7079	2	Cup
	G10640	1	Grease Fitting, 1/4"-28
	GR1912	8	Lug Nut, 5/8"-18, Grade 5
7	GA4723	2	Bearing
8	GA4722	2	Seal
9	GD13409	1	Tire, 255-70R22.5
10	GA14516	1	Wheel, 5.5" x 22.5", 8 Bolt
A	G10928301	-	Tire And Rim Assembly (Specify Brand*) (Items 10 and 11)
B	GA4736	-	Hub And Spindle Assembly (Items 1-2, 3-8)
C	GA4729	-	Hub W/Cups, Bolts, Nuts And Grease Fitting, 8 Bolt, 1 3/4" Bore (Item 6)
D	GA27032	-	Hub And Spindle Assembly (Items 1-2, 3-8 (GR0528 subbed for GD18676))

\*Specific brand requests will be supplied only as available from current Kinze Repair Parts stock. If a specific brand requested is not in stock, the brand available will be supplied.

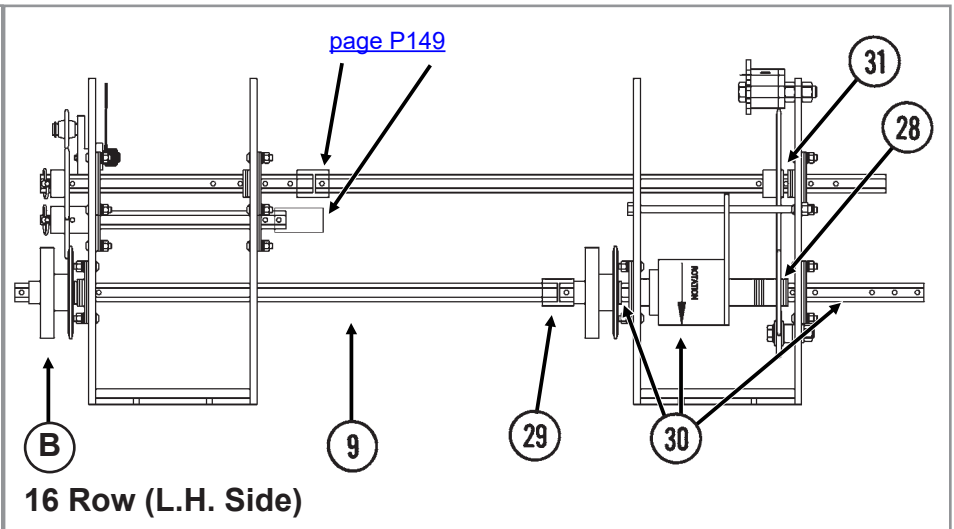
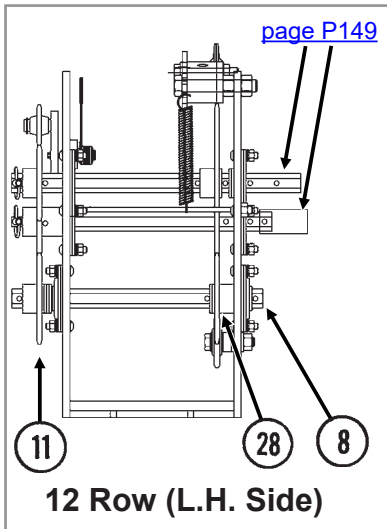
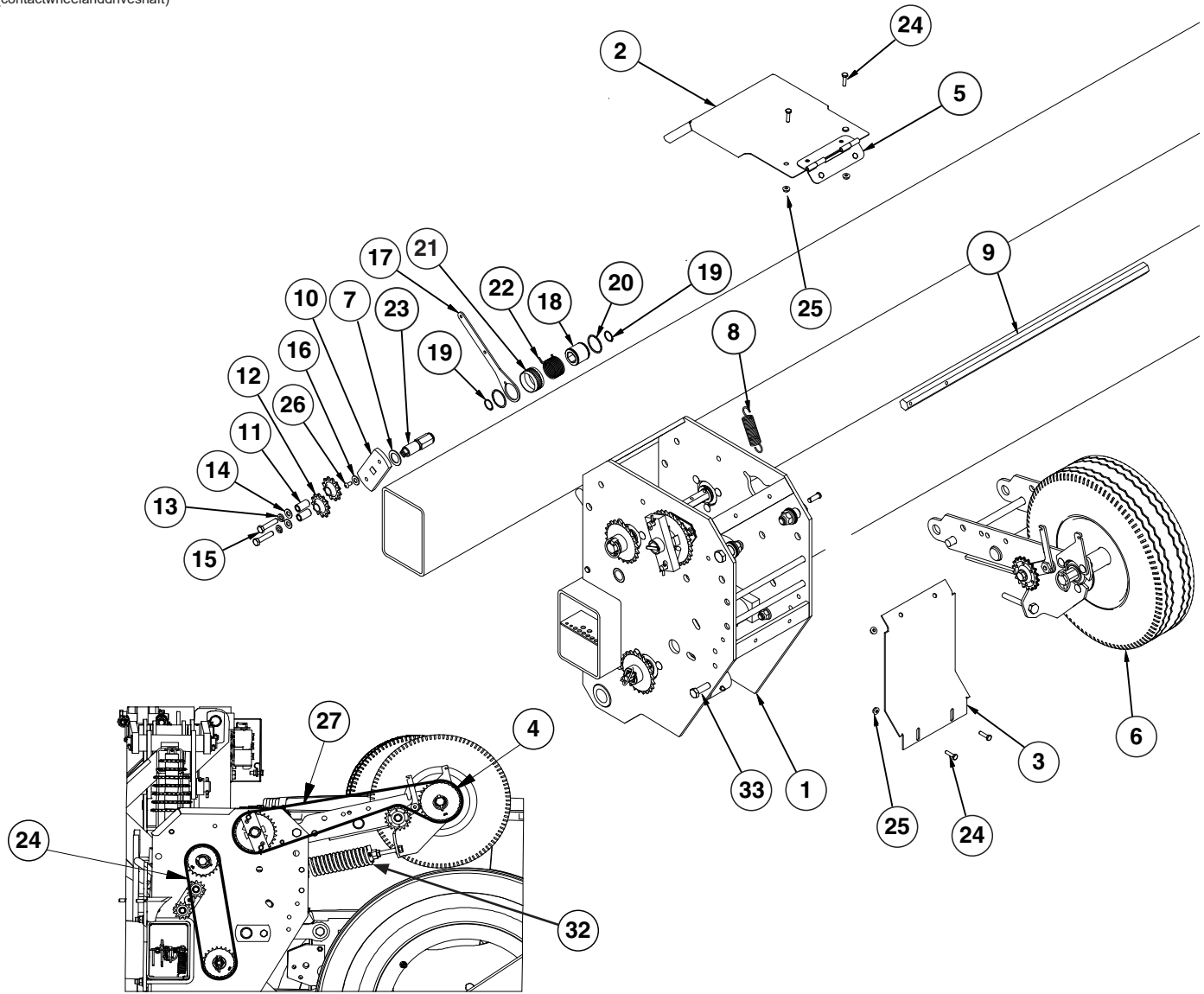
(101583)



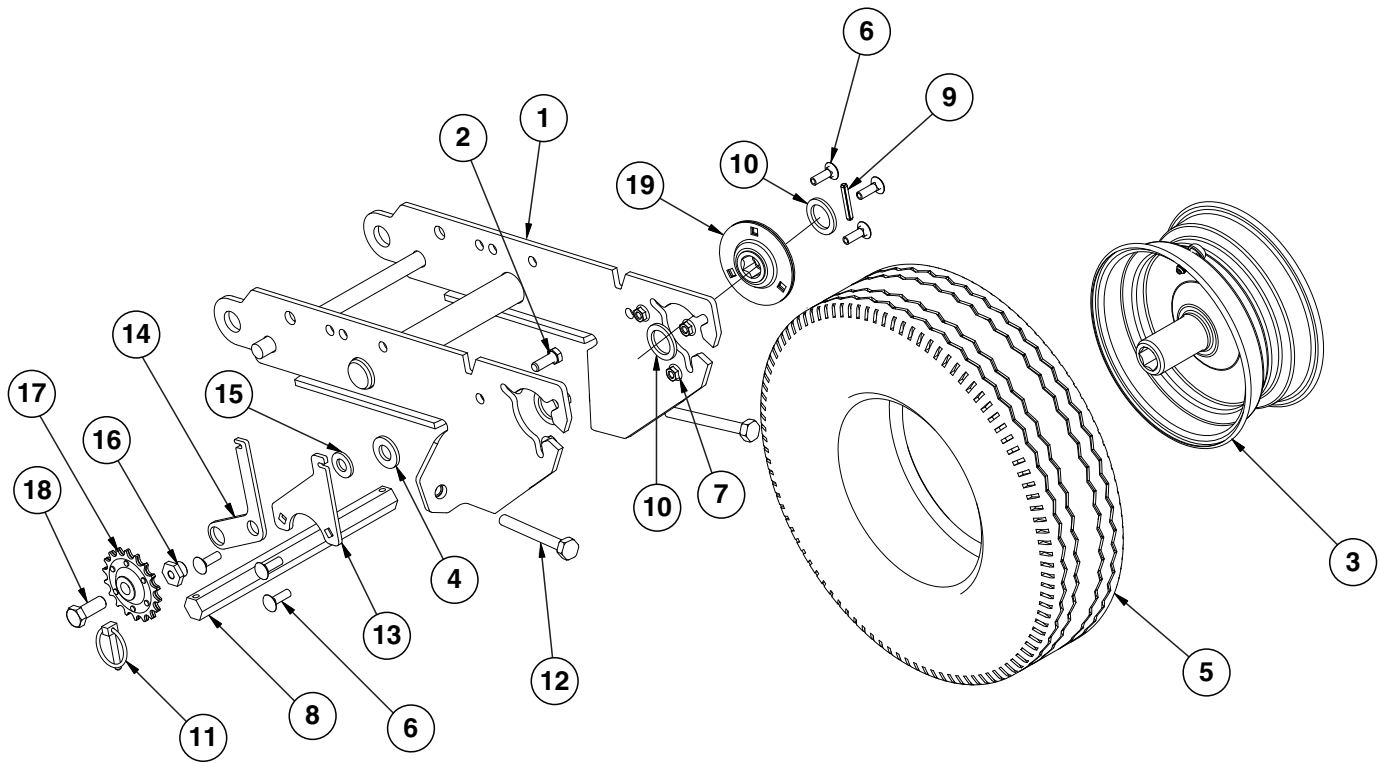
ITEM	PART NO.	QTY. (Per Assy.)	DESCRIPTION
1	GA14349	1	Wheel Module
2	GD20461	1	Pin, 1/4" x 13"
3	G11400	2	Retaining Ring, 1 1/4"
4	GD5841	1	Pin, 1/4" x 5 5/8"
	G11396	2	Flat Washer, 1/4" SAE
	G10460	2	Cotter Pin, 1/4" x 2"
5	G10605101	1	Mud Scraper Holder
6	G10636	2	Carriage Bolt, 1/2"-13 x 1 1/2"
	G10071	2	Serrated Flange Nut, 1/2"-13
7	GD34178	1	Slotted Scrapper
8	G10026	2	Hex Head Cap Screw, 3/4"-10 x 2"
	G10231	2	Lock Washer, 3/4"
9	G11314	1	Serrated Flange Nut, 3/4"-10
10	G11081	2	Hex Jam Nut, 1 1/2"-12, Grade 2
11	GA24825	2	Bearing
12	GA24826	1	Hub W/Cups, 6 Bolt
	GR0434	2	Cup (Included W/GA24826)
13	GA4376	1	Spindle W/Round External Retaining Ring, 10"
14	GD11490	1	Round External Retaining Ring
15	GD13401	1	Tire, 7.50" x 20", 8 Ply, Tubeless W/O Center Rib (Specify Brand*)
	GA7434	1	Valve Stem
16	GA14413	1	Rim, 5.5" x 20"
17	GR0270	6	Lug Bolt, 9/16"-18
18	G10026	1	Hex Head Cap Screw, 3/4"-10 x 2"
	G11392	1	Flat Washer, 3/4"
A	GA14412	-	Tire And Rim Assembly (Specify Brand*) (Items 15 and 16)
B	GA24828	-	Hub And Spindle Assembly (Items 10-13)

\*Specific brand requests will be supplied only as available from current Kinze Repair Parts stock.

(contactwheelanddriveshaft)



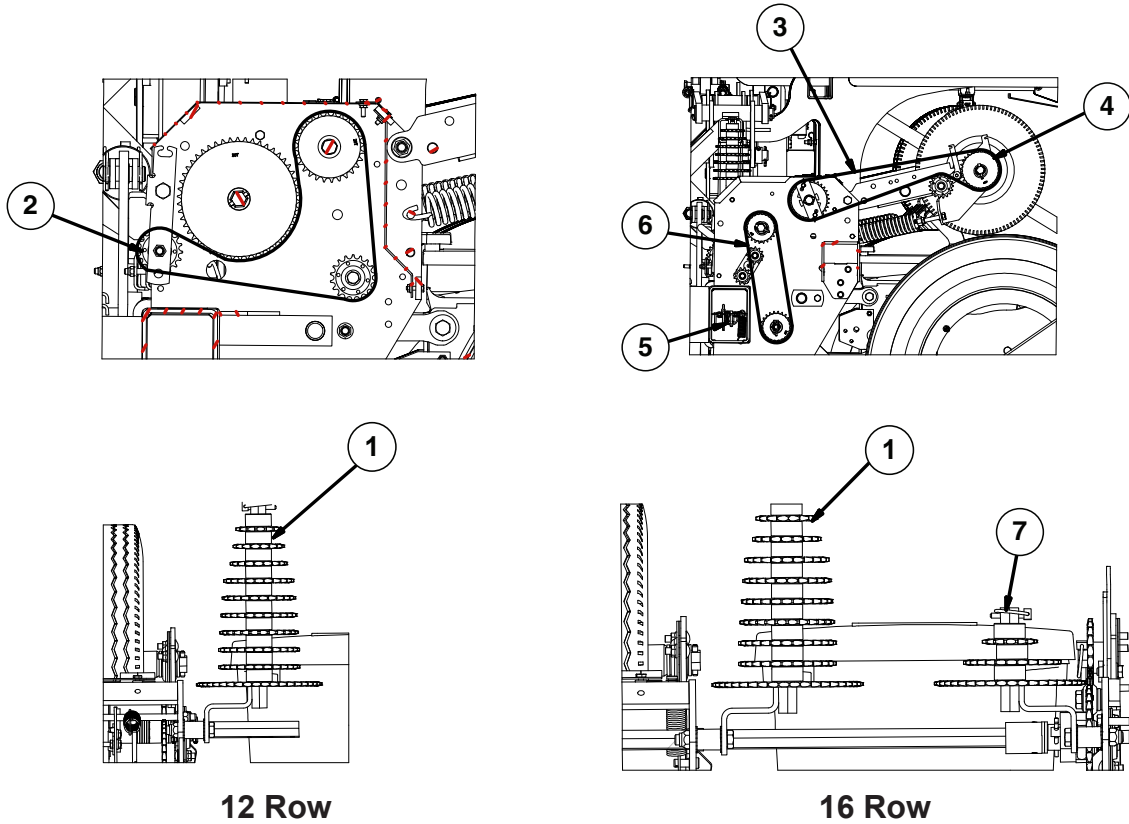
ITEM	PART NO.	QTY. (Per Assy.)	DESCRIPTION
1	GD10375	4	Wheel Tower
2	GD10298	2	Cover
3	GD6895	2	Shield
4	GA12192	2	Sprocket #40, 22 Tooth (Vacuum)
5	GA13790	2	Slip Joint Hinge
6	---	2	<a href="#">See "Contact Wheel" on page P147</a>
7	G10235	14	Machine Bushing, 7/8", 14 Gauge (.0747")
8	GD5857	4	Spring
9	GD35786	1	Hex Shaft, 7/8" x 28.94"
10	GD10401	1	Double Idler Bar
11	GD1026	2	Sleeve, 1 3/8" Long
12	GD7426	2	Sprocket, 12 Tooth
13	G10229	2	Lock Washer, 3/8"
14	G11387	2	Flat Washer, 3/8" SAE
15	G10047	2	Hex Head Cap Screw, 3/8"-16 x 1 3/4"
16	G11387	1	Flat Washer, 3/8" SAE
17	GD14431	1	Wrap Spring Wrench Handle
	G11078	1	Vinyl Cap
18	GD14432	1	Wrap Spring Wrench Sleeve
19	G11075	2	External Inverted Snap Ring, 7/8"
20	G10496	2	External Inverted Snap Ring, 1 1/2"
21	GD19344	1	Release Collar, Silver, L.H. (Shown)
	GD19343	-	Release Collar, Blue, R.H.
22	GD14414	1	Torsion Spring, R.H. (Used On L.H. Wrap Spring Wrench) (Shown)
	GD14413	-	Torsion Spring, L.H. (Used On R.H. Wrap Spring Wrench)
23	GD14426	1	Tightener Shaft, 3 3/8"
24	G3310-80	2	Chain #40, 80 Pitches
25	G10621	14	Serrated Flange Nut, 1/4"-20
26	G11100	1	Hex Socket Button Head Cap Screw, 1/4"-20 x 1/2", Grade 8
27	G3310-114	2	Chain #40, 114 Pitches (Vacuum)
28	---	-	<a href="#">See "Inner Module Drive" on page P151</a>
29	GD5212	1	Coupler, 1 3/4", 16 Row 30" Only
30	---	-	<a href="#">See "Point Row Clutch" on page P153</a>
31	G10233	2	Machine Bushing, 1", 10 Gauge
	G10345	2	Machine Bushing, 1", 14 Gauge
32	GA2068	-	Spring W/Plug
A	GA5164	-	Ratchet/Sprocket Assembly, L.H. Side Of Planter
	GA9843	-	Ratchet/Sprocket Assembly, R.H. Side Of Planter
B	G1K324	-	Contact Wheel Arm Replacement Kit
C	G1K381	-	Wrap Spring Wrench Replacement Kit, Gray Collar, L.H.
	G1K380	-	Wrap Spring Wrench Replacement Kit, Blue Collar, R.H.
D	GA26075	-	Ground Contact Drive Spare Parts Kit (Springs, Cotter Pins, Connector Links/Offsets, Clevis Pins)



ITEM	PART NO.	QTY. (Per Assy.)	DESCRIPTION
1	GA7372	2	Wheel Arm
2	G10001	2	Hex Head Cap Screw, 3/8"-16 x 1"
3	GD7688	4	Rim
4	GD26839	2	Spacer
5	GD4700	2	Tire, 4.80" x 8", 4 Ply, Rib Implement (Specify Brand**)
6	G10303	12	Carriage Bolt, 5/16"-18 x 1"
7	G10620	12	Serrated Flange Nut, 5/16"-18
8	GD26499	2	Wheel Mount Hex Shaft
9	G10602	2	Spring Pin, 1/4" x 1 1/2"
10	G10233	6	Machine Bushing, 1 1/2" x 1/32", 10 Gauge (.1345")
11	GD2558	2	Lynch Pin, 1/4"
12	G10890	4	Hex Head Adjusting Bolt, 1/2"-13 x 4", Grade 2
13	GD26477	2	Idler Plate
14	GA17975	2	Idler Arm
15	G11389	2	Flat Washer, 1/2" Plated SAE
16	GD26479	2	Idler Pivot Nut
17	GA7154	2	Sprocket W/Bearing, 18 Tooth
18	G10037	2	Hex Head Cap Screw, 1/2"-13 x 1 1/4"
19	GA9846	2	Flanged Bearing, 7/8" Hex Bore
A	GA3552	-	Tire and Rim Assembly (Specify Brand*)

\* Specific brand requests will be supplied only as available from current Kinze Repair Parts stock. If a specific brand requested is not in stock, the brand available will be supplied. Different brand tires may have different diameters. Change in tire brand may affect rates. Field checks are recommended after any change in contact tires.





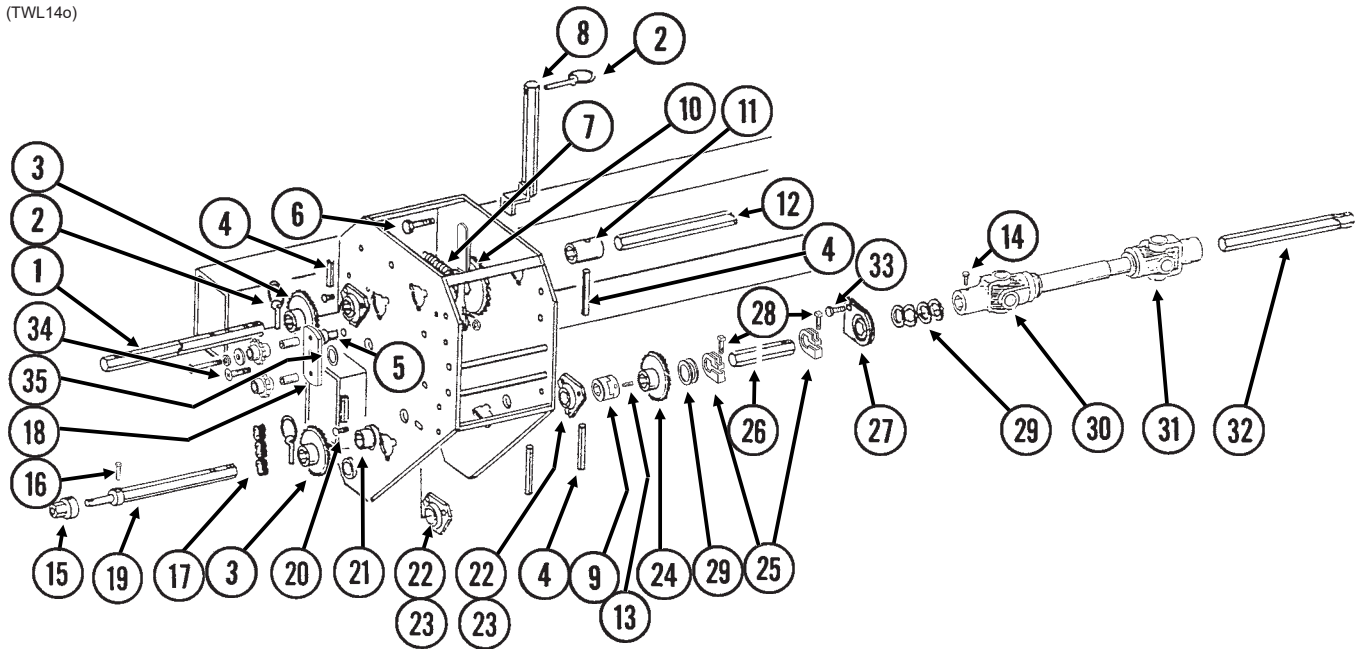
ITEM	PART NO.	QTY. (Per Assy.)	DESCRIPTION
1	GA10977	2	Sprocket Tree Assembly (Vacuum)
	GA12191	1	Sprocket, 44 Tooth (Included W/GA10977)
	GA5105	1	Sprocket, 15 Tooth (Included W/GA10977)
	GA5106	1	Sprocket, 17 Tooth (Included W/GA10977)
	GA5107	1	Sprocket, 19 Tooth (Included W/GA10977)
	GA5109	1	Sprocket, 24 Tooth (Included W/GA10977)
	GA5110	1	Sprocket, 25 Tooth (Included W/GA10977)
	GA5111	1	Sprocket, 26 Tooth (Included W/GA10977)
	GA5112	1	Sprocket, 27 Tooth (Included W/GA10977)
	GA5113	2	Sprocket, 28 Tooth (Included W/GA10977)
	GD2558	1	Lynch Pin, 1/4" (Included W/GA10977)
	GA10832	1	Sprocket Storage Rod
2	G3310-100	2	Chain, No. 40, 100 Pitch Including Connector Link
	GR0912	-	Connector Link, No. 40
3	G3310-114	2-4	Chain, No. 40, 114 Pitch Including Connector Link
	GR0912	-	Connector Link, No. 40
4	GA12192	2-4	Sprocket, 22 Tooth
5	GA26075	1	Ground Contact Drive Spare Parts Kit
6	G3310-80	2	Chain, No. 40, 80 Pitch Including Connector Link
	G0912	-	Connector Link, No. 40
7	GA22322	2	Sprocket Tree Assembly
	GA12191	1	Sprocket, 44 Tooth (Included W/GA22322)
	GA5105	1	Sprocket, 15 Tooth (Included W/GA22322)
	GA5113	1	Sprocket, 28 Tooth (Included W/GA22322)
	GA7313	1	Sprocket Storage Rod (Included W/GA22322)
	GD2558	1	Lynch Pin, 1/4" (Included W/GA22322)

# Seed Rate Transmission and Row Unit Drill Shafts

Model 3605

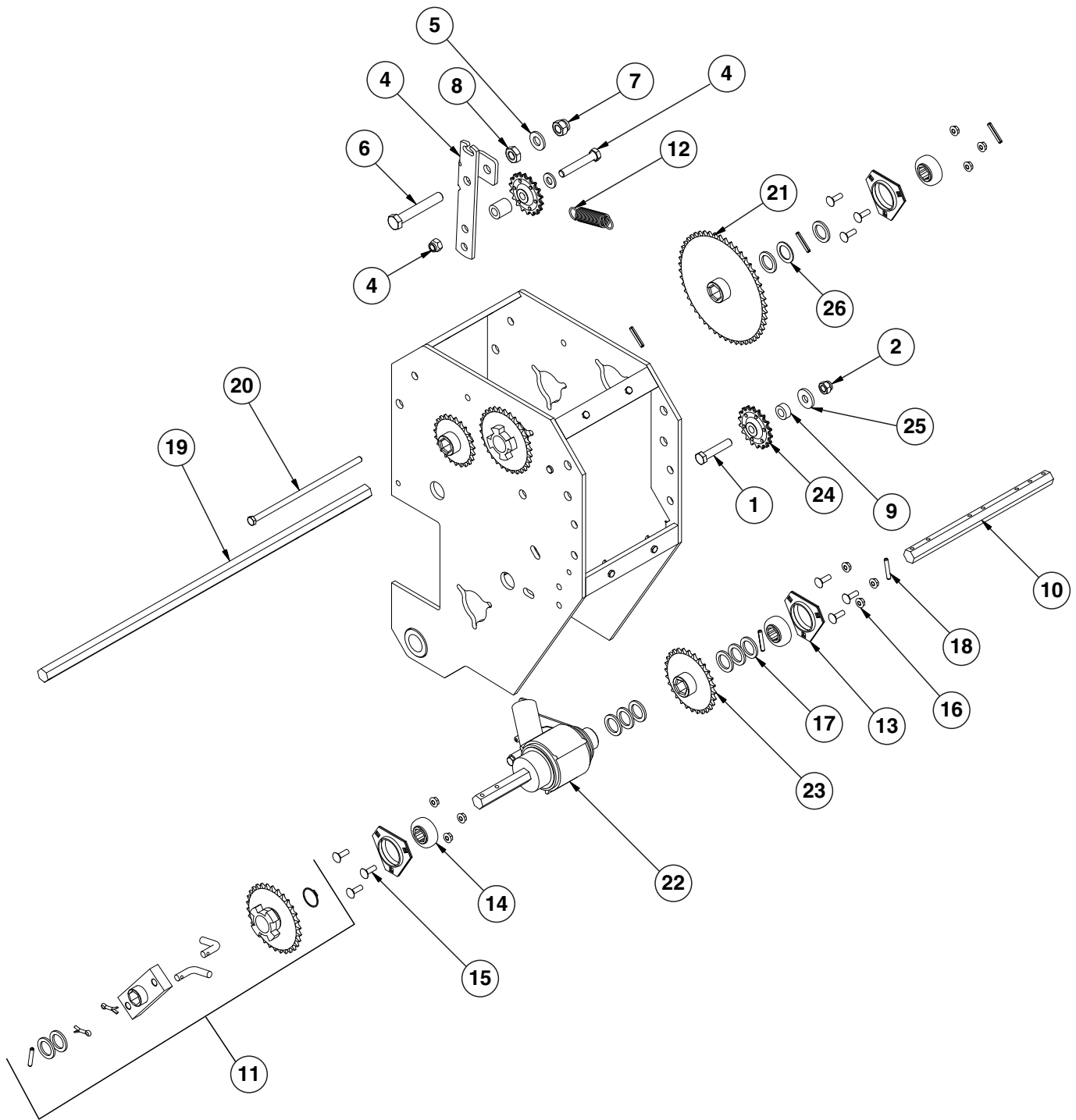
M0312-02

(TWL14o)



ITEM	PART NO.	QTY. (Per Side)	DESCRIPTION
1	GD35785	1	Shaft, 7/8" x 15 1/4"
2	GD2558	3	Lynch Pin, 1/4"
3	GA5105	-	Sprocket, 15 Tooth
	GA5106	-	Sprocket, 17 Tooth
	GA5107	-	Sprocket, 19 Tooth
	GA5108	-	Sprocket, 23 Tooth
	GA5109	-	Sprocket, 24 Tooth
	GA5110	-	Sprocket, 25 Tooth
	GA5111	-	Sprocket, 26 Tooth
	GA5112	-	Sprocket, 27 Tooth
	GA5113	-	Sprocket, 28 Tooth
	GA5114	-	Sprocket, 30 Tooth
	GA12191	-	Sprocket, 44 Tooth
4	G10602	-	Spring Pin, 1/4" x 1 1/2"
5	G10870	1	Clevis Pin, 3/8" x 1"
	G10860	1	Retaining Ring, 3/8"
6	G10583	1	Hex Head Cap Screw, 1/2"-13 x 2 3/4"
	GD4887-17	1	Sleeve, 1" O.D. x 9/16" I.D. x 1 1/8"
	G10527	2	Lock Washer, 1/2", Internal/External
	G10111	1	Lock Nut, 1/2"-13
7	GD5857	1	Spring
8	GA10832	1	Sprocket Storage Rod (Vacuum)
9	GB0287	2	Coupler
10	---	-	<a href="#">See "Inner Module Drive" on page P151</a>
11	GD5212	1	Coupler, 1 3/4", 16 Row 70CM Only
12	GD26497	1	Hex Shaft, 7/8" x 30", 16 Row 70CM Only
13	G10131	4	Square Head Set Screw, 5/16"-18 x 3/4"
14	G10688	-	Square Head Set Screw, 3/8"-16 x 5/8"
15	GD7127	1	Shear Coupler

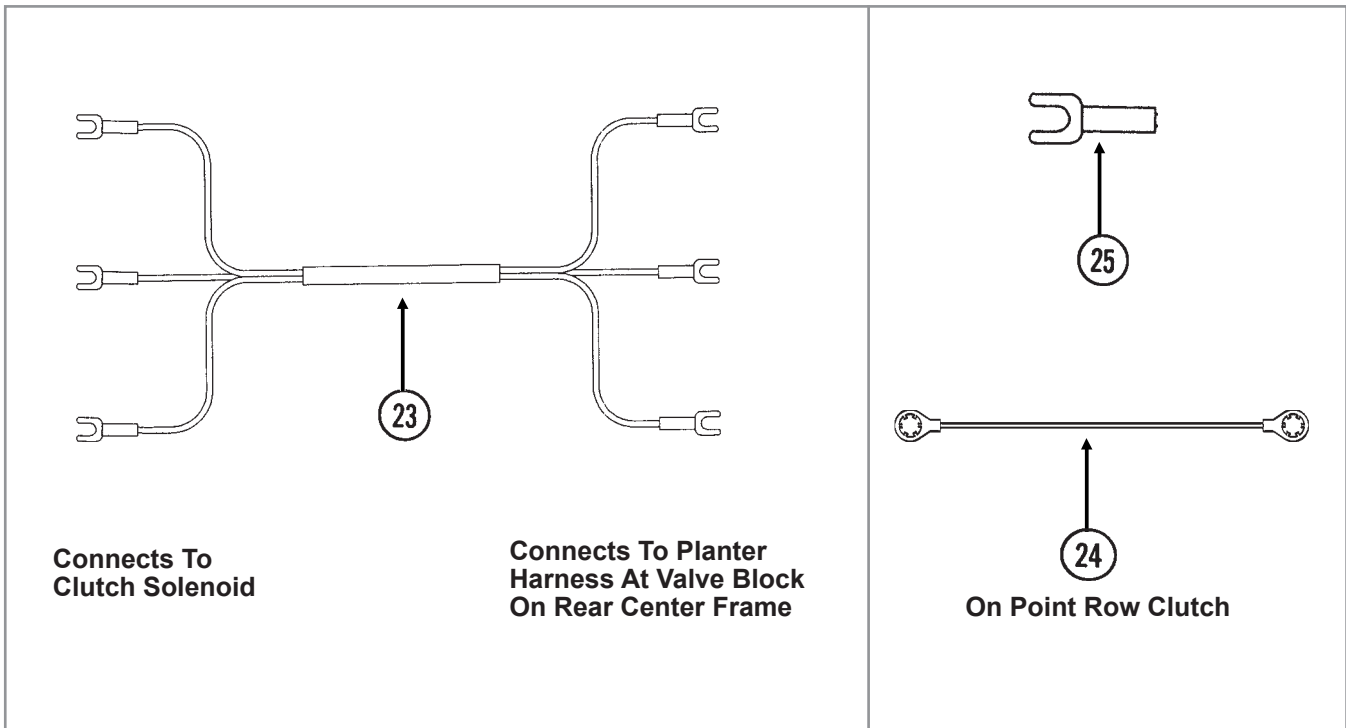
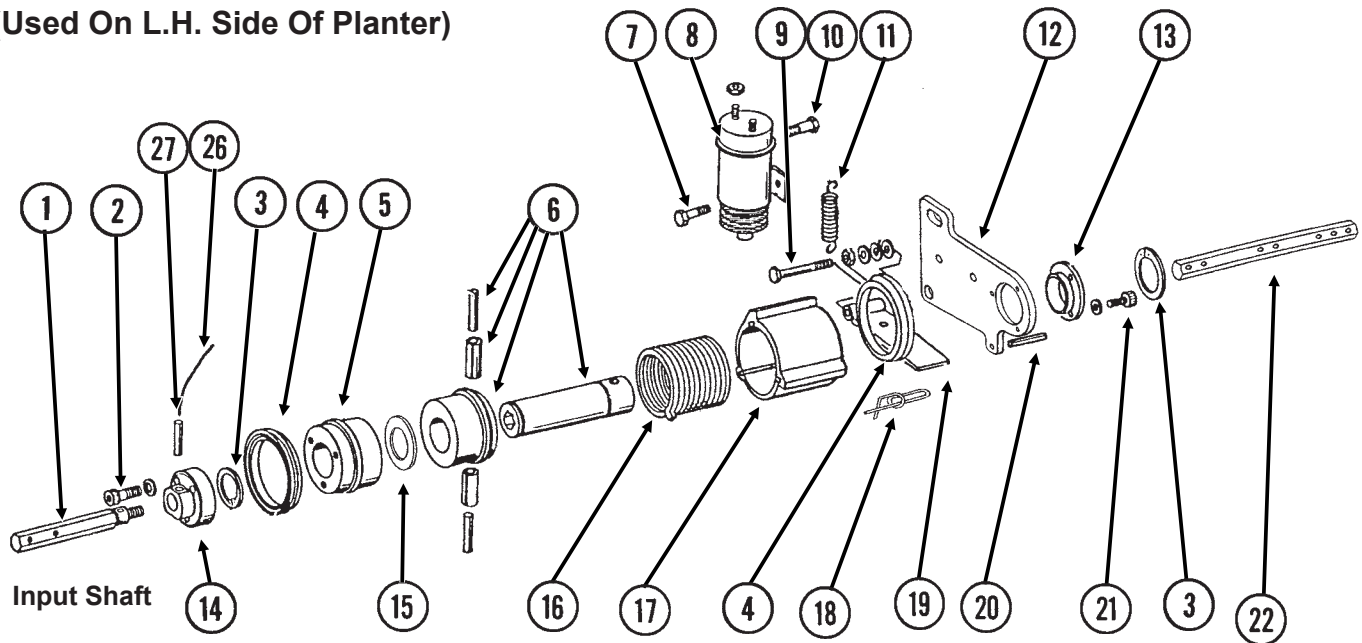
ITEM	PART NO.	QTY. (Per Side)	DESCRIPTION
16	G10821	-	Clevis Pin, 3/16" x 2"
	G10455	-	Cotter Pin, 1/16" x 1/2"
17	G3310-80	1	Chain, No. 40, 80 Pitch Including Connector Link
	GR0912	-	Connector Link, No. 40
18	GA7336	1	Idler W/Bolt-On Sprockets
	GD7426	-	Sprocket, 12 Tooth (Included W/GA7336)
	G10047	-	Hex Head Cap Screw, 3/8"-16 x 1 3/4" (Included W/GA7336)
	GD1026	-	Sleeve, 1 3/16" Long (Included W/GA7336)
	G11387	-	Flat Washer, 3/8" SAE (Included W/GA7336)
	G10229	-	Lock Washer, 3/8" (Included W/GA7336)
19	GD7612	1	Shaft, 7/8" x 13 1/2"
20	G10303	-	Carriage Bolt, 5/16"-18 x 1"
	G10620	-	Hex Nut, 5/16"-18
21	GA5548	1	Special Bearing
22	G3400-01	-	Flangette
23	G2100-03	-	Bearing, 7/8" Hex Bore, Spherical
24	GA8092	1	Clutch Sprocket Assembly, 19 tooth ( <a href="#">See "Split Row Push Unit Drive" on page P73</a> )
25	GD11045	-	Lock Clamp
26	GD0914-71	2	Hex Shaft, 7/8" x 71" (No Holes), Wing, 12 Row
	GD0914-126.25	2	Hex Shaft, 7/8" x 126 1/4" (No Holes), Wing, 16 Row
27	GA2180	-	Hanger Bearing, 7/8" Hex Bore
28	G10130	-	Square Head Machine Bolt, 5/16"-18 x 1 3/4"
	G10923	-	Flange Nut, 5/16"-18, No Serration
29	G10233	-	Machine Bushing, 1", 10 Gauge
30	GA18276	-	U-Joint W/Grease Fitting, Female, 10 1/4" Long
	GR1557	-	Grease Fitting, 45°, Metric (Included W/GA18276)
	GR2148	-	Inboard Yoke And Outer Profile (Included W/GA18276)
	GR1294	-	Cross And Bearing Kit (Included W/GA18276)
	GR2151	-	Yoke, 7/8" Hex (Included W/GA18276)
31	GA18275	-	U-Joint W/Grease Fitting, Male, 12 1/4" Long
	GR1557	-	Grease Fitting, 45°, Metric (Included W/GA18275)
	GR2147	-	Inner Profile (Included W/GA18275)
	GR1295	-	Inboard Yoke (Included W/GA18275)
	GR1301	-	Spring Pin, 8 mm x 50 mm (Included W/GA18275)
	GR1294	-	Cross And Bearing Kit (Included W/GA18275)
	GR2151	-	Yoke, 7/8" Hex (Included W/GA18275)
32	GD0914-71	1	Hex Shaft, 7/8" x 71" (No Holes), R.H. Main Frame
	GD0914-60	-	Hex Shaft, 7/8" x 60" (No Holes), L.H. Main Frame
33	G10004	2	Hex Head Cap Screw, 3/8"-16 x 1 1/4"
	G10229	2	Lock Washer, 3/8"
	G10101	-	Hex Nut, 3/8"-16
34	G11100	1	Hex Socket Button Head Cap Screw, 1/4"-20 x 1/2", Grade 8
	G10227	1	Lock Washer, 1/4"
	G11453	1	Fender Washer, 1/4"
35	G10235	1	Machine Bushing, 7/8", 14 Gauge
A	G1K269	-	Lock Clamp Kit (Items 25 And 28)
B	G1K381	-	Wrap Spring Wrench Replacement Kit, Gray Collar, L.H.
	G1K380	-	Wrap Spring Wrench Replacement Kit, Blue Collar, R.H.
C	GA10977	-	Sprocket Tree (Vacuum)



ITEM	PART NO.	QTY. (Per Mod- ule)	DESCRIPTION
1	G10053	-	Hex Head Cap Screw, 1/2"-13 x 2 1/2"
2	G10111	-	Lock Nut, 1/2"-13
3	---	-	---
4	GA9558	1	Idler W/Sprocket And Hardware, L.H. Side Of Planter
	GA9557	-	Idler W/Sprocket And Hardware, R.H. Side Of Planter
	GA7154	-	Sprocket W/Bearing, 18 Tooth (Included W/GA9557 and GA9558)
	G10038	-	Hex Head Cap Screw, 1/2"-13 x 3" (Included W/GA9557 and GA9558)
	GD10007	-	Spacer, 1 1/8" Long
	G11389	-	Flat Washer, 1/2" SAE (Included W/GA9557 and GA9558)
	G10111	-	Lock Nut, 1/2"-13 (Included W/GA9557 and GA9558)
5	G11391	-	Flat Washer, 5/8" SAE
6	G10036	-	Hex Head Cap Screw, 5/8"-11 x 4"
7	G10107	-	Lock Nut, 5/8"-11
8	G10503	-	Hex Jam Nut, 5/8"-11, Grade 2
9	GD7889	-	Bushing, 1" O.D. x 3/16" I.D. x 7/16" Long
10	GD10543	-	Hex Shaft, 7/8" x 13"
11	GA5164	-	Ratchet/Sprocket Assembly
12	GD5857	-	Spring
13	G3400-01	-	Flangette
14	G2100-03	-	Bearing, 7/8" Hex Bore, Spherical
15	G10303	-	Carriage Bolt, 5/16"-18 x 1"
16	G10620	-	Serrated Flange Nut, 5/16"-18
17	G10233	-	Machine Bushing, 1 1/2" x 1/32", 10 Gauge (.1345")
18	G10602	-	Spring Pin, 1/4" x 1 1/2"
19	GD26497	-	Hex Shaft, 7/8" x 30"
20	G10595	-	Hex Head Cap Screw, 3/8"-16 x 10"
21	GA5194	-	Sprocket, 50 Tooth
22	GA7111	-	Point Row Clutch Assembly, L.H.
23	GA5113	-	Sprocket, 28 Tooth
24	GA7154	-	Sprocket W/Bearing, 18 Tooth
25	G10168	-	Machine Bushing, 1/2", 7 Gauge (.1793")
26	G10345	-	Machine Bushing, 1", 14 Gauge (.0747")

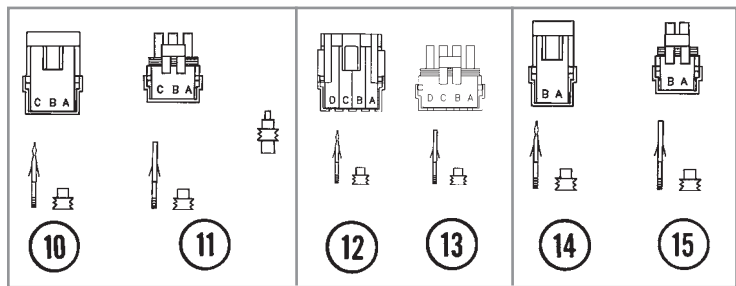
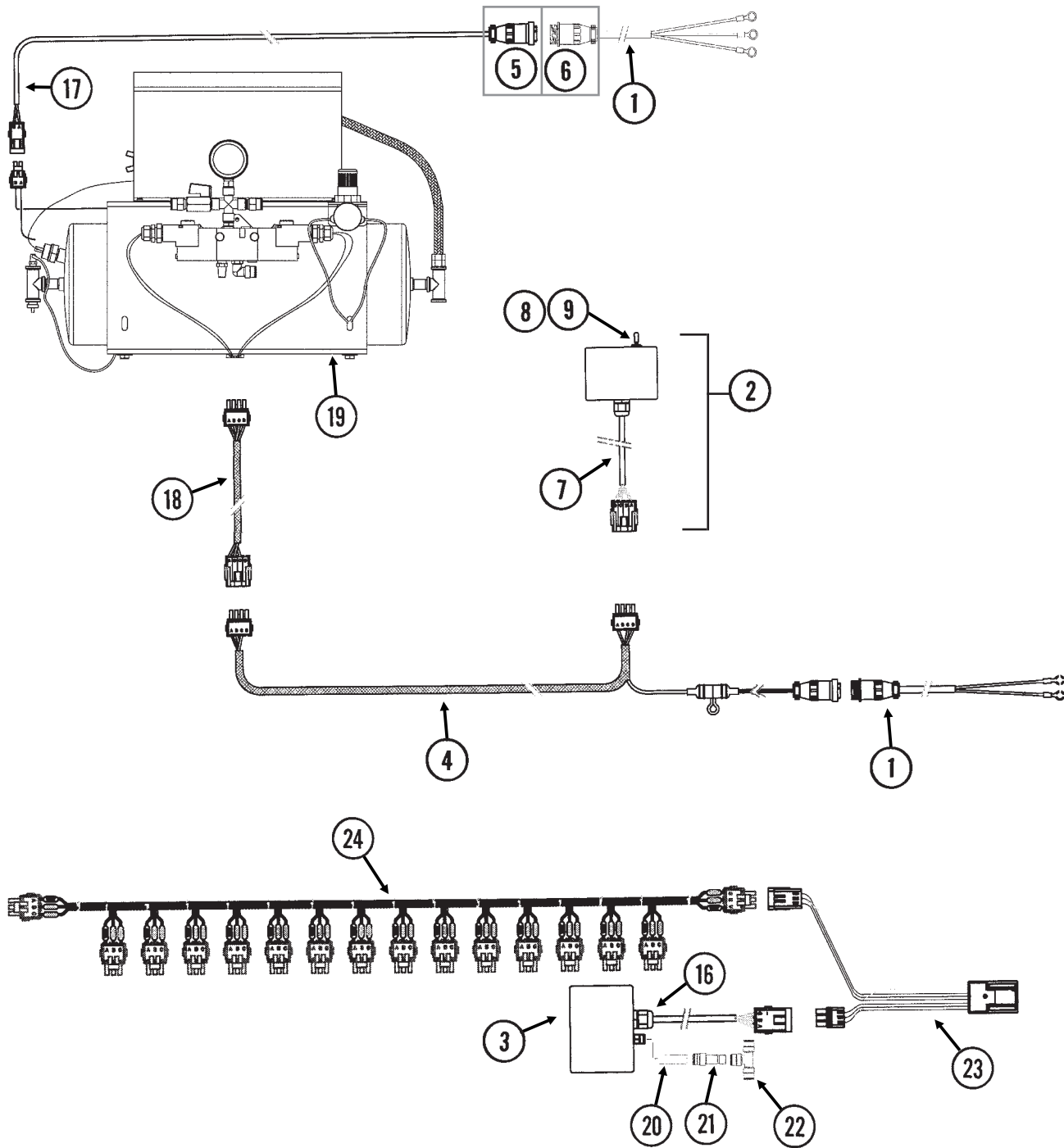
PRC019(TWL70d/TWL71d/TWL71/TWL18/A10054)

**L.H. Point Row Clutch Shown  
(Used On L.H. Side Of Planter)**



ITEM	PART NO.	QTY. (Per Assy.)	DESCRIPTION
1	GD10068	1	Input Shaft, R.H. Threads (Shown)
	GD10069	1	Input Shaft, L.H. Threads
2	G10374	3	Hex Socket Head Cap Screw, 1/4"-20 x 1"
	G10227	3	Lock Washer, 1/4"
3	G10496	2	External Inverted Snap Ring, 1 1/2"
4	GD14512	2	V-Ring Seal
5	GD10104	1	Input Hub
6	GA7137	1	Hub/Sleeve Assembly W/Spring Pins
	G10765	-	Spring Pin, 1/4" x 1" (Included W/GA7137)
	G10804	-	Spring Pin, 5/32" x 7/8" (Included W/GA7137)
7	G10023	1	Hex Head Cap Screw, 1/4"-20 x 3/4"
	G10227	1	Lock Washer, 1/4"
	G10103	1	Hex Nut, 1/4"-20
8	GA8393	1	Solenoid Complete
	GR1306	1	Snap Ring (Included W/GA8393)
	GR1303	1	Spring (Included W/GA8393)
	GR1304	1	Boot (Included W/GA8393)
	GR1305	1	Plunger (Included W/GA8393)
9	G10939	1	Hex Head Cap Screw, 3/8"-16 x 2 1/4"
	G10101	1	Hex Nut, 3/8"-16
	G11387	1	Flat Washer, 3/8" SAE
	G10229	2	Lock Washer, 3/8"
	G10497	1	Hex Jam Nut, 3/8"-16, Grade 2
10	G10900	1	Hex Socket Head Cap Screw, 1/4"-20 x 1 3/4", Grade 8
	G10227	1	Lock Washer, 1/4"
	G10103	2	Hex Nut, 1/4"-20
11	GD10123	1	Spring
12	GD10103	1	Mounting Plate
13	GD9667	1	Bushing
14	GD10070	1	Coupler W/R.H. Threads (Shown)
	GD10071	1	Coupler W/L.H. Threads
15	GD14513	1	Felt Washer
16	GD9671	-	Spring, L.H. (Shown)
	GD9672	-	Spring, R.H.
17	GD30903	1	Stop Collar
18	GD11120	1	Rue Ring Cotter, 5/16"
19	GD30902	1	Actuator Arm
20	G10859	1	Spring Pin, 3/16" x 2 1/4"
21	G10253	3	Hex Socket Head Screw, No. 10-32 x 1/2"
	G10257	3	Lock Washer, No. 10
22	GD10543	-	Hex Shaft, 7/8" x 13"
23	GA9480	-	Wiring Harness, 22', L.H. Side, 16 Row
	GA9482	-	Wiring Harness, 25', R.H. Side, 16 Row
24	GA10054	-	Ground Cable, Green
25	G10996	-	Fork Terminal
26	GD13524-01	1	Lock Wire, 10", Stainless Steel
27	G10546	1	Spring Pin, 3/16" x 1 1/4"
A	GA7110	-	Point Row Clutch Assembly, R.H. (R.H. Side Of Machine) (Items 1-21, 24, 26 And 27)
	GA7111	-	Point Row Clutch Assembly, L.H. (L.H. Side Of Machine) (Items 1-21, 24, 26 And 27)

(PNE30b/MTR27a/ELC27b/MTR45/MTR271/PNE30e)

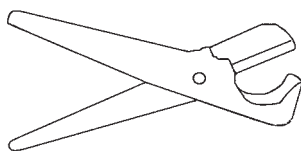
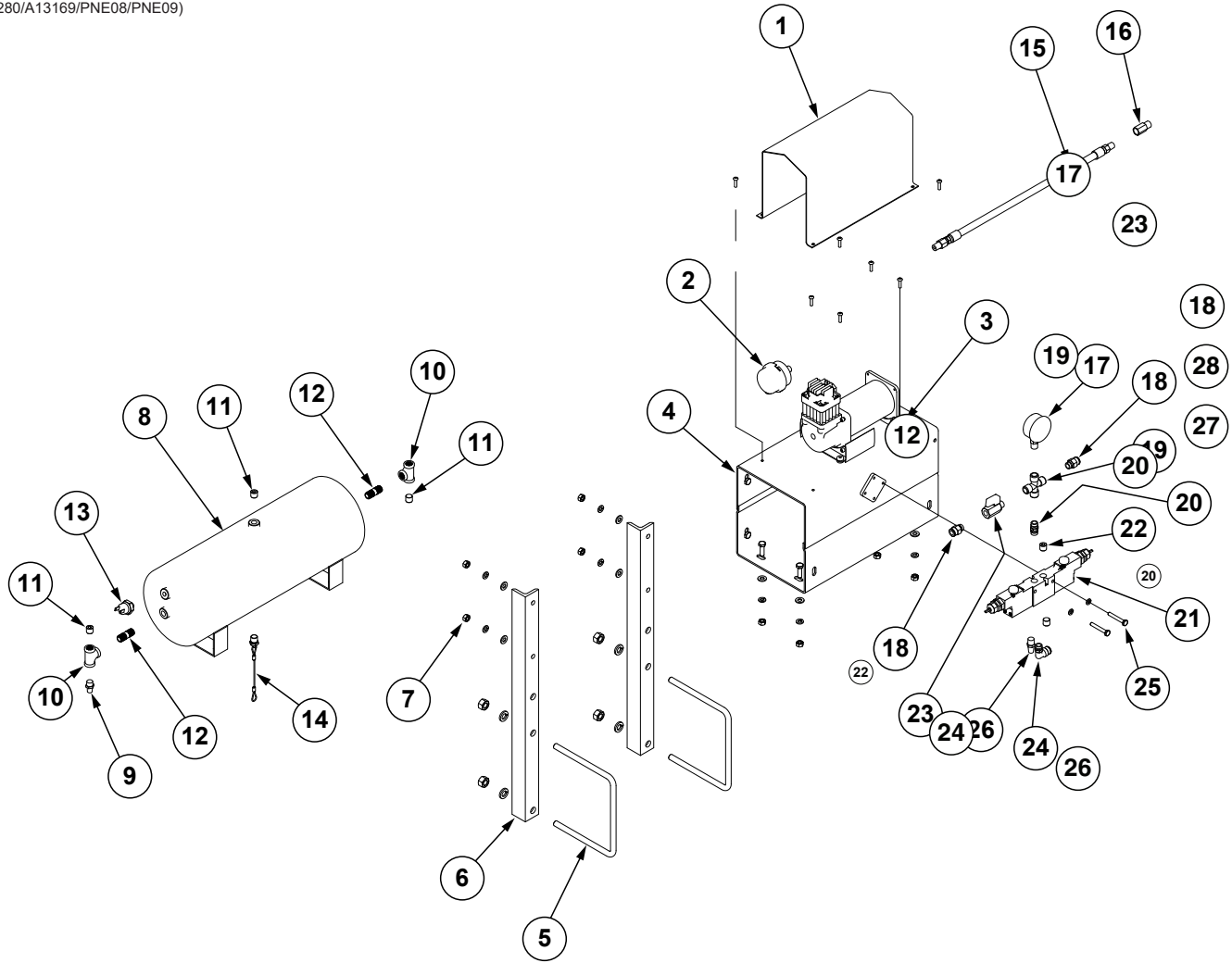


For Blue Drive Harnesses, [see "Electronics" on page P213](#)

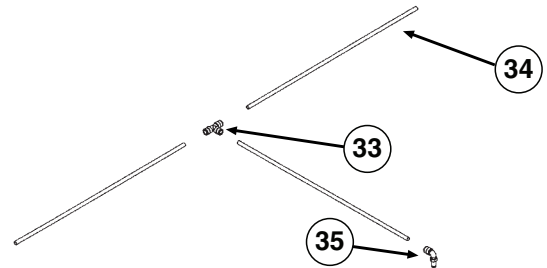


ITEM	PART NO.	QTY.	DESCRIPTION
1	GA17547	2	Power Adapter Cable
2	GA12813	1	Control Box Assembly
3	GA14846	1	High Pressure Sensor (0-120 PSI)
4	GA13944	1	Wiring Harness W/Fuse Holder And Fuse, 206" (Ground Contact Drive)
	GD14258	-	Fuse Holder (Included W/GA13944)
	GD14660	-	Fuse, 2 Amp Delay Action (Included W/GA13944)
5	G1K268	-	Console Cable Connector Kit, Includes: (1) 3-Pin Connector, (1) Cable Clamp, (1) Lock Ring, (3) Female Terminal Pins
6	G1K267	-	Console Cable Connector Kit, Includes: (1) 3-Pin Connector, (1) Cable Clamp, (3) Male Terminal Pins
7	GA9964	1	Strain Relief
8	GR1363	1	Hex Face Nut, 1 <sup>5</sup> / <sub>32</sub> "-32
	GR1364	1	Internal Tooth Lock Washer, 1 <sup>5</sup> / <sub>32</sub> "
9	GA20765	1	Switch, 3 Position Toggle, Momentary On-Off-Momentary On
10	G1K248	-	3-Pin Female Connector Kit (Black), Includes: (3) 3-Pin Female Housings, (9) Pin Contacts, (9) Seals
11	G1K252	-	3-Pin Male Connector Kit (Black), Includes: (3) 3-Pin Male Housings, (9) Socket Contacts, (9) Seals
12	GA8328	-	4-Pin Female Connector Kit, Includes: (1) 4-Pin Female Housing, (4) Pin Contacts, (4) Seals
13	GA8329	-	4-Pin Male Connector Kit, Includes: (1) 4-Pin Male Housing, (4) Socket Contacts, (4) Seals
14	G1K321	-	2-Pin Female Connector Kit (Black), Includes: (3) 2-Pin Female Housings, (6) Pin Contacts, (6) Seals
15	G1K320	-	2-Pin Male Connector Kit (Black), Includes: (3) 2-Pin Male Housings, (6) Socket Contacts, (6) Seals
16	GA9964	2	Strain Relief
17	GA16392	1	Compressor Harness, 60'
	GD14258	-	Fuse Holder
	GD18275	-	Fuse, 20 Amp
18	GA12858	1	Wiring Harness, 60'
19	---		<a href="#">See "Air Compressor, Dual Solenoid Assembly, Tubing, and Fittings" on page P157</a>
20	GD17151-06	1	Nylon Tubing, 1/4" O.D. x 1 1/2'
21	GD18796	1	Reducer, 3/8" To 1/4"
22	GD18010	1	Tee, 3/8" Tube Union
23	GA12812	1	Hall Effect Adapter
24	---	-	<a href="#">See "Planter Monitor Module (PMM)" on page P223</a>

(IP1280/A13169/PNE08/PNE09)



32

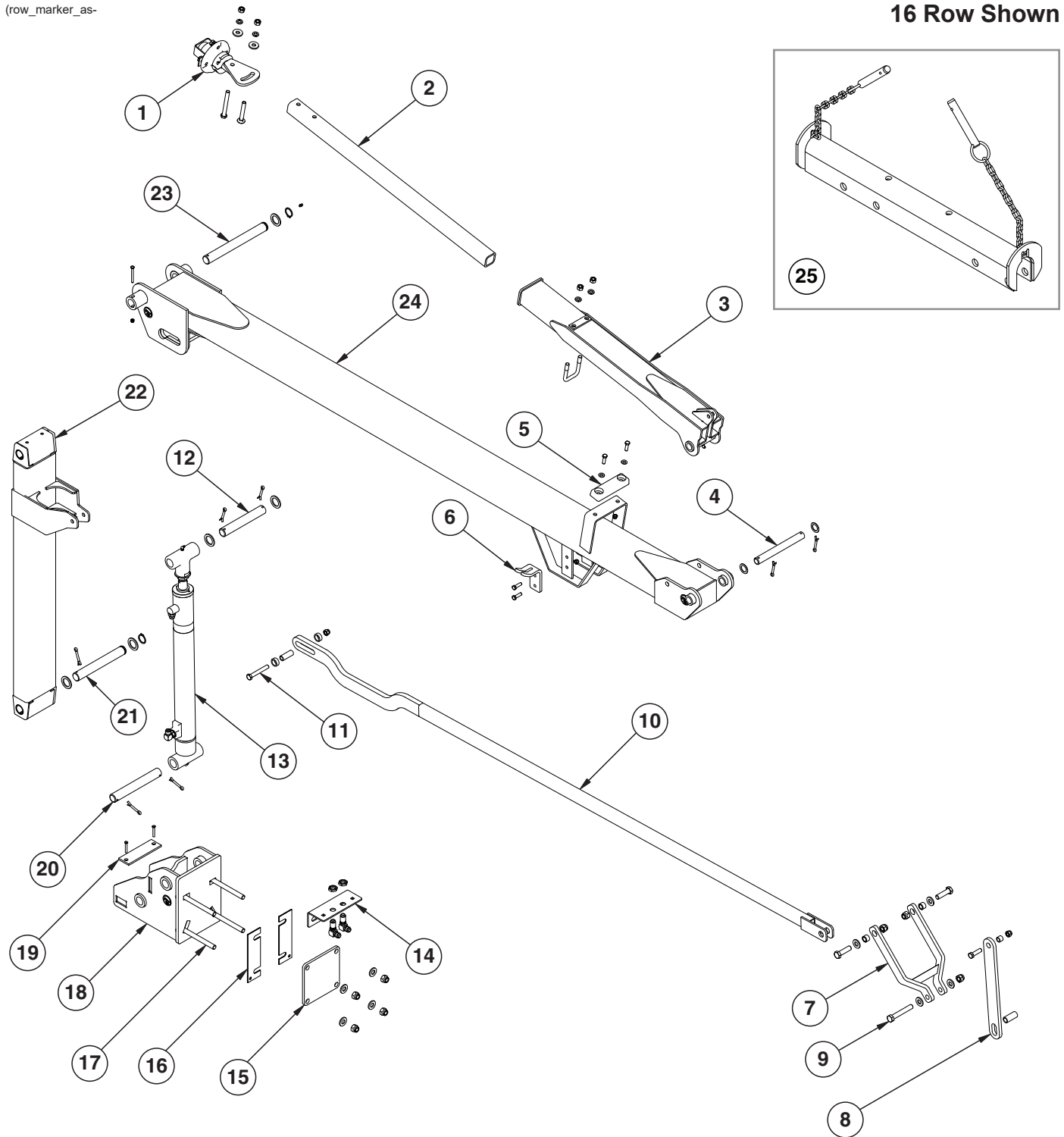


ITEM	PART NO.	QTY.	DESCRIPTION
1	GD18112	1	Cover
	G10992	8	Serrated Flange Nut, No. 10-24
	G11066	8	Phillips Pan Head Machine Screw, No. 10-24 x 3/4", Stainless Steel
2	GA14127	1	Filter Assembly
	GR1943	-	Filter (Included W/GA14127)
3	GA22273	1	Air Compressor W/Harness
	G10992	4	Serrated Flange Nut, No. 10-24
	G11066	4	Phillips Pan Head Machine Screw, No. 10-24 x 3/4", Stainless Steel

ITEM	PART NO.	QTY.	DESCRIPTION
4	GA12358	1	Compressor Mount
	G10019	4	Hex Head Cap Screw, 5/16"-18 x 1"
	G10106	4	Hex Nut, 5/16"-18
	G10232	4	Lock Washer, 5/16"
	G11386	4	Flat Washer, 5/16" SAE
5	GD4743	2	U-Bolt, 3" x 3" x 1/2"-13
	G10228	4	Lock Washer, 1/2"
	G10102	4	Hex Nut, 1/2"-13
6	GD18119	2	Compressor Mount
7	G10019	4	Hex Head Cap Screw, 5/16"-18 x 1"
	G11386	4	Flat Washer, 5/16" SAE
	G10106	4	Hex Nut, 5/16"-18
	G10232	4	Lock Washer, 5/16"
8	GA11988	1	Tank, 3 Gallon
9	GA13512	1	Valve Stem, 1/4" NPT
10	GD19237	2	Tee, 1/4" NPT
11	GD17156	3	Plug, 1/4" NPT
12	GD19238	2-3	Nipple, 1/4" NPT <b>(Blue Drive Only in the Solenoid Assembly (Items 17-28))</b>
13	GR1778	1	Pressure Switch
14	GA11991	1	Drain, 1/4" NPT
15	GR1951	1	Leader Hose without Check Valve
16	GR1921	1	Check Valve
17	GA12104	1	Pressure Gauge
18	GD17141	2	Connector, 1/4" Male
19	GD18078	1	Female Cross, 1/4" NPT
20	GD17154	1	Connector, 1/4" Male
21	GA22793	1	Dual Solenoid Assembly
22	GD17156	2	Plug, 1/4" NPT
23	GA11992	1	Shutoff Valve, 1/4" NPT
24	GD17143	1	Swivel Elbow, 1/4" NPT x 3/8"
25	G10040	2	Hex Head Cap Screw, 1/4"-20 x 1 3/4"
	G10227	2	Lock Washer, 1/4"
26	GA11997	1	Breather, 1/4" NPT
27	GD19237	1	Tee, Galvanized, 1/4" NPT x NPT <b>(Blue Drive Only)</b>
28	GA14804	1	Pressure Sensor (0-120 PSI) <b>(Blue Drive Only)</b>
	GD18041	1	Bushing, Hex, 1/4" Male NPT x 1/8" Female NPT <b>(Blue Drive Only)</b>
29	---	-	---
30	---	-	---
31	---	-	---
32	GA13169	1	Tube Cutter W/Blade
	GR1843	-	Blade (Included W/GA13169)
33	GD18010	-	Tee, 3/8" Tube Union, Pull Row Unit (Pneumatic Down Pressure)
	GD18274	-	Tee, 3/8" x 1/8" NPT Extended, Push Row Unit (Pneumatic Down Pressure)
34	GD17150-03	-	Nylon Tubing, 3/8" O.D. x 64', 12 Row Pull Row Units (Pneumatic Down Pressure)
	GD17150-04	-	Nylon Tubing, 3/8" O.D. x 86', 16 Row Pull Row Units (Pneumatic Down Pressure)
	GD17150-08	-	Nylon Tubing, 3/8" O.D. x 60', 11 Row Push Row Units (Pneumatic Down Pressure)
	GD17150-09	-	Nylon Tubing, 3/8" O.D. x 82', 15 Row Push Row Units (Pneumatic Down Pressure)
	GD17150-12	-	Nylon Tubing, 3/8" O.D. x 5', Even-Row Push Row Unit (Pneumatic Down Pressure)
35	GD18011	-	Elbow, 3/8" x 1/8" NPT Extended, Pull Row Unit (Pneumatic Down Pressure)
A	GA12626	-	Air Compressor Assembly (Items 1-4, 8-14, and 25)
B	GA22793	-	Valve Seal Kit

(row\_marker\_as-

16 Row Shown

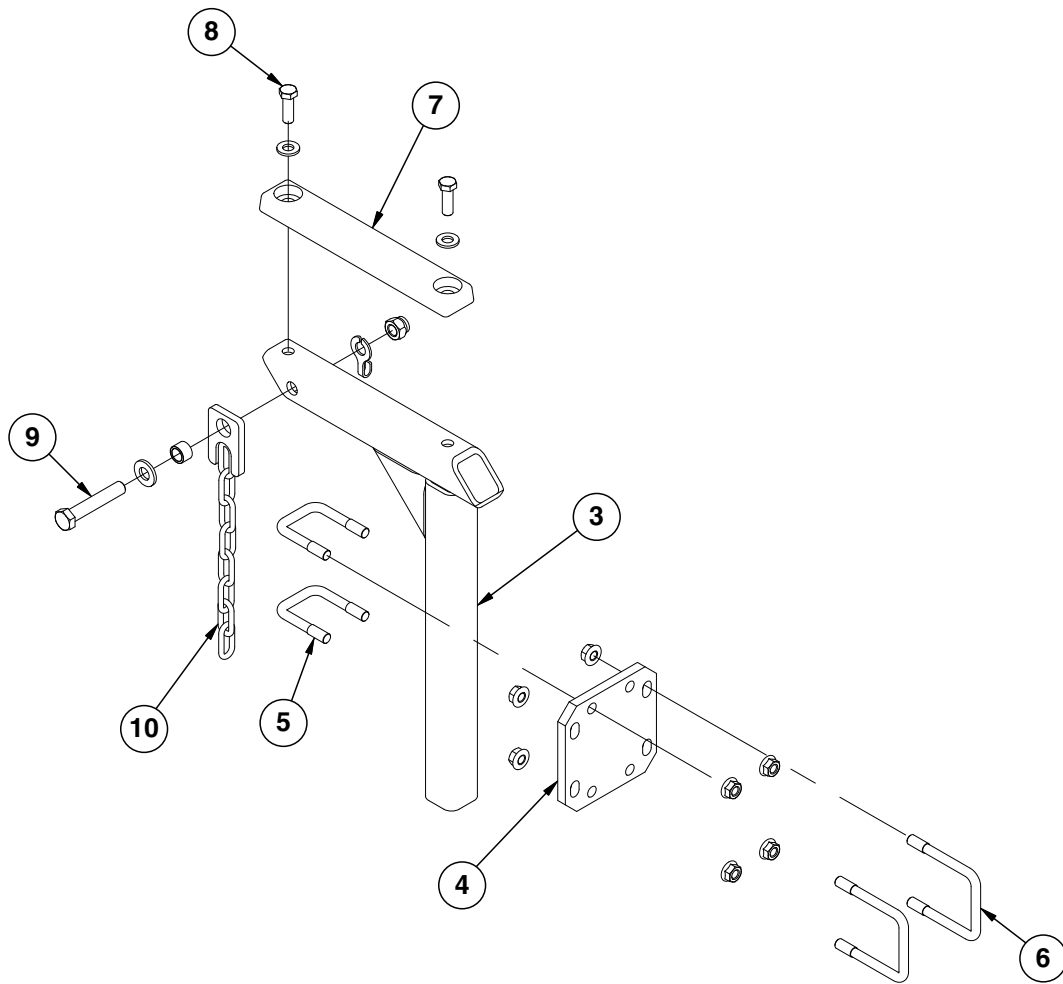


ITEM	PART NO.	QTY. (Per Assy.)	DESCRIPTION
1	GA13719	1	<a href="#">See "Row Marker Spindle/Hub/Blade" on page P163</a>
	G10168	2	Machine Bushing, 1/2", 7 Gauge
	G10045	1	Hex Head Cap Screw, 1/2"-13 x 4 1/2"
	G10844	1	Carriage Bolt, 1/2"-13 x 3 1/2"
	G10228	2	Lock Washer, 1/2"
	G10102	2	Hex Nut, 1/2"-13
2	GD0453-07	-	Extension Tube, 45", 12 Row
	GD0453-02	-	Extension Tube, 40", 16 Row
	GD0453-03	-	Extension Tube, 50", 12 Row Even-Row
	GD0453-05	-	Extension Tube, 55", 16 Row Even-Row
3	GA13994	1	Arm, Third Stage, 12 Row
	GA13114	1	Arm, Third Stage, 16 Row
	GD2721	1	U-Bolt, 2" x 2" x 1/2"-13
	G10228	2	Lock Washer, 1/2"
	G10102	2	Hex Nut, 1/2"-13
	G10643	-	Grease Fitting, 45°, 1/4"-28
4	GD18889	1	Pin, 1" x 9/4"
	G10460	2	Cotter Pin, 1/4" x 2"
	G10345	2	Machine Bushing, 1", 14 Gauge
5	GA9145	1	Molded Stop, 6 1/4" Long
	G10004	2	Hex Head Cap Screw, 3/8"-16 x 1 1/4"
	G11387	2	Flat Washer, 3/8" SAE
	G10108	2	Lock Nut, 3/8"-16
6	GD18540	1	Lock-up Chain Bracket
	G10004	2	Hex Head Cap Screw, 3/8"-16 x 1 1/4"
	G10108	2	Lock Nut, 3/8"-16
7	GA13764	1	Linkage
	G11391	2	Flat Washer, 5/8" SAE
	G10006	2	Hex Head Cap Screw, 5/8"-11 x 2 1/4"
	GB0218	2	Bushing, 2 1/32" I.D. x 7/8" O.D. x 1 9/32" Long
	G10107	2	Lock Nut, 5/8"-11
8	GD25189	1	Marker Link
	GD3180-34	-	Sleeve, 7/8" O.D. x 5/8" I.D. x 2"
	GD10538-07	-	Sleeve, 3/4" O.D. x 1/2" I.D. x .3/5"
	G10039	-	Hex Head Cap Screw, 1/2"-13 x 1 3/4"
	G10111	-	Lock Nut, 1/2"-13
9	G10036	1	Hex Head Cap Screw, 5/8"-11 x 4"
	G11391	2	Flat Washer, 5/8" SAE
	G10107	1	Lock Nut, 5/8"-11
10	GA18959	1	Marker Link, 12 Row
	GA18283	1	Marker Link, 10 3/4", 16 Row
11	G10033	1	Hex Head Cap Screw, 1/2"-13 x 3 1/2"
	GD19661-01	1	Sleeve, 3/4" O.D. x 5 1/100 I.D. x 2"
	GD16418-02	2	Sleeve, 1 1/8" O.D. x 1 3/16" I.D. x 1 1/25"
	G10111	1	Lock Nut, 1/2"-13
12	GD18815	1	Pin, 1 1/4" x 8.38"
	G10159	2	Washer, 1 7/8"
	G10460	2	Cotter Pin, 1/4" x 2"
13	GA21030	1	<a href="#">See "Row Marker Cylinder" on page P167</a>
	G6801-08	1	Elbow W/O-Ring, 90°, 3/4"-16 Male JIC To O-Ring
	GR1037	-	O-Ring
	G6400-08-04	1	Connector W/O-Ring, 3/4"-16 Male JIC To 7/16"-20 O-Ring
	GR1465	-	O-Ring

Continued on the next

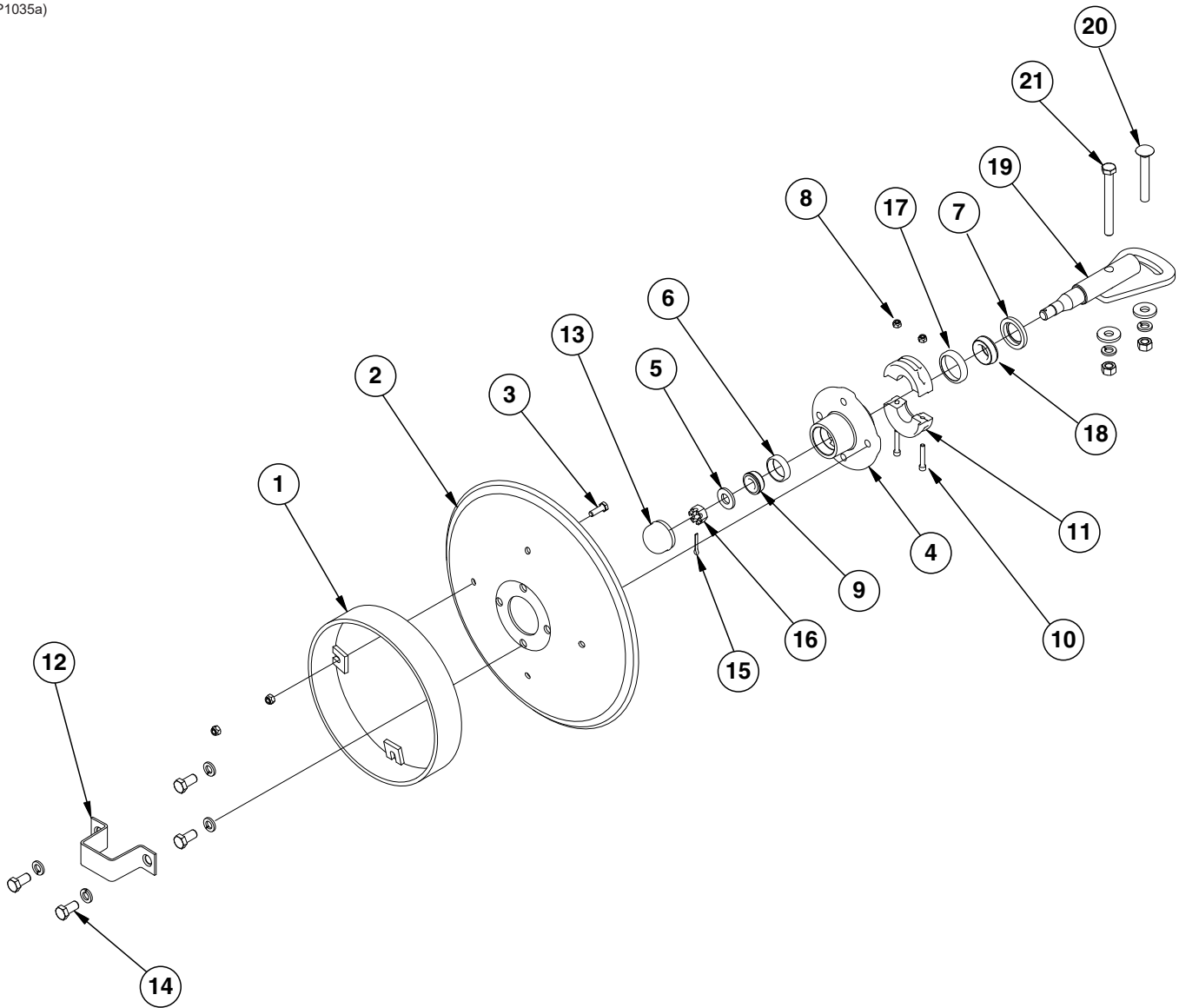
ITEM	PART NO.	QTY. (Per Assy.)	DESCRIPTION
14	GD26024	1	Bulkhead Mount
	G306-08	2	Lock Nut, 3/4"-16
	G2701-08	2	Bulkhead Elbow, 90°, 3/4"-16 Male JIC
	G10107	2	Lock Nut, 5/8"-11
15	GD13360	1	Plate, 6" x 6", 12 Row
	GD13359	1	Plate, 7" x 7", 16 Row
16	GD10792	4	Shim, 2 1/2" x 7 1/4", 16 Gauge (.0598"), 12 Row Only
17	G10012	4	Hex Head Cap Screw, 5/8"-11 x 6 1/2"
	G11391	2	Flat Washer, 5/8" SAE
18	GA14361	1	Marker Mount
19	GD19491	1	Marker Mount Wear Pad
	G11319	2	Slotted Flat Head Machine Screw, 1/4"-20 x 1 3/4"
	G11320	2	Lock Nut, 1/4"-20, Grade B
20	GD31511	1	Pin, Marker Arm Hydraulic Cylinder
	G10460	1	Cotter Pin, 1/4" x 2"
	G10159	2	Washer, 1 7/8", 10 Gauge (.1345")
	G11400	1	Retaining Ring, 1 1/4"
	G10640	1	Grease Fitting, 1/4"-28
21	GD21143	1	Marker Pin, 1 1/4" x 9 1/2"
	G11400	1	Retaining Ring, 1 1/4"
	G10640	1	Grease Fitting, 1/4"-28
22	GA13487	1	Arm, First Stage
	G10403	1	Hex Head Cap Screw, 1/4"-20 x 2 1/2"
	G10110	2	Lock Nut, 1/4"-20, Grade B
23	GD21142	1	Marker Pin, 1 1/4" x 11 59/64"
	G11400	1	Retaining Ring, 1 1/4"
	G10640	1	Grease Fitting, 1/4"-28
24	GA18958	1	Arm W/Grease Fitting, Second Stage, 12 Row
	GA18282	1	Arm W/Grease Fitting, Second Stage, 16 Row
25	GA24754	1	Cylinder Lock-Up
	G10536	2	Detent Pin, 1/2" x 2 1/2" Grip

L.H.



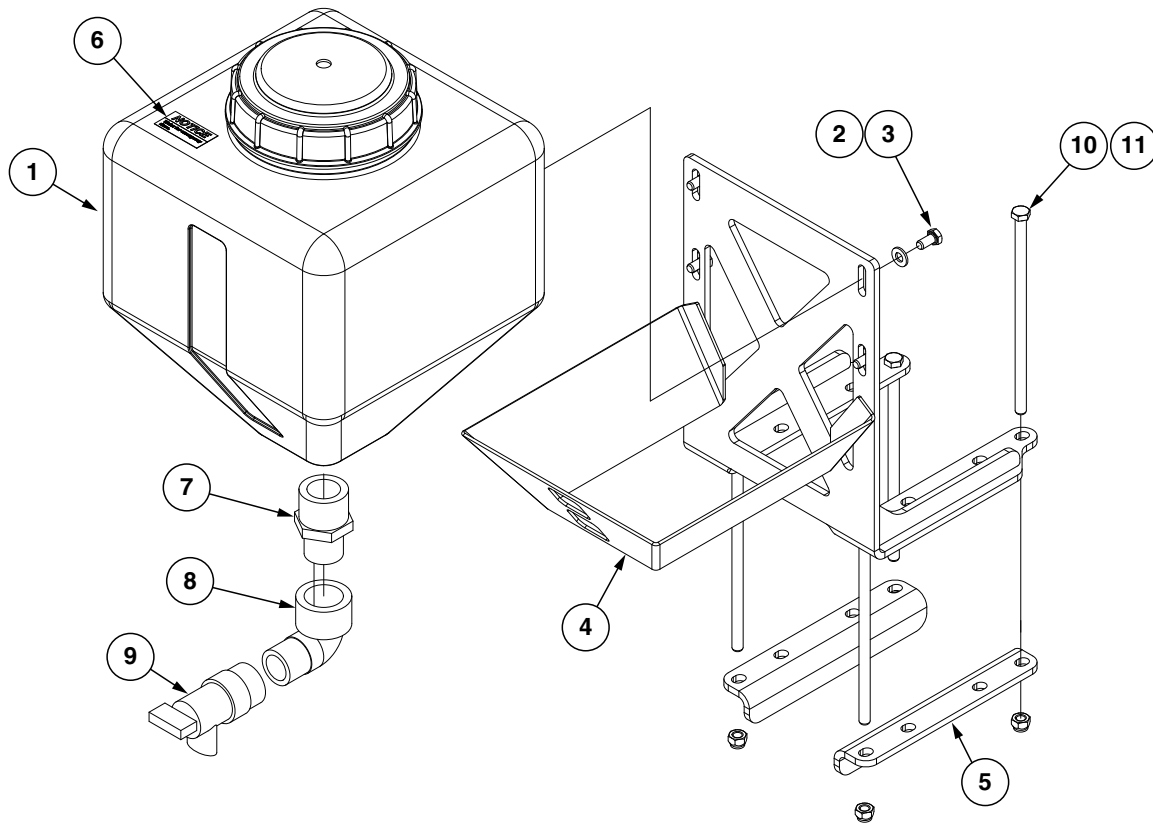
ITEM	PART NO.	QTY. (Per Assy.)	DESCRIPTION
1	---	-	---
2	---	-	---
3	GA14402	1	Marker Stand
4	G10292201	1	Marker Stand Plate
5	GD2721	2	U-Bolt, 2" x 2" x 1/2"-13
	G10071	4	Serrated Flange Nut, 1/2"-13
6	GD4743	2	U-Bolt, 3" x 3" x 1/2"-13
	G10071	4	Serrated Flange Nut, 1/2"-13
7	GA9088	1	Molded Stop, 12 1/4" Long
8	G10017	2	Hex Head Cap Screw, 1/2"-13 x 1 1/2"
	G11389	2	Flat Washer, 1/2" SAE
	G10111	2	Lock Nut, 1/2"-13
9	G10743	1	Hex Head Cap Screw, 5/8"-11 x 3 3/4"
	G11391	1	Flat Washer, 5/8" SAE
	GB0218	1	Bushing, 2 1/32" I.D. x 7/8" O.D. x 1 9/32" Long
	GD10088	1	Special Washer
	G10107	1	Lock Nut, 5/8"-11
10	GA13340	1	Chain Lockup

(IP1035a)



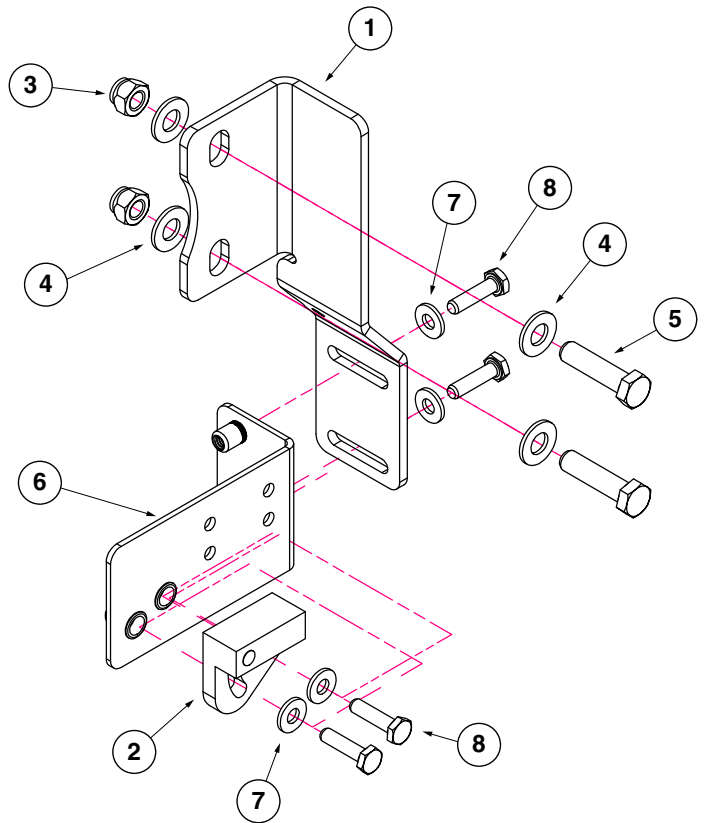


ITEM	PART NO.	QTY. (Per Assy.)	DESCRIPTION
1	GA5853	1	Depth Band
2	GD0746	1	Disc Blade, Solid, 16" (Shown)
	GD10283	-	Disc Blade, Notched, 16" (Optional)
3	G10019	4	Hex Head Cap Screw, 5/16"-18 x 1"
	G10109	4	Lock Nut, 5/16"-18, Grade 8
4	GA0167	1	Hub W/Cups, 4 Bolt (Includes Items 6 and 17)
5	G11391	1	Flat Washer, 5/8" SAE
6	GR0151	1	Outer Cup
7	GD21540	1	Grease Seal
8	G10110	2	Lock Nut, 1/4"-20, Grade B
9	GA0257	1	Bearing
10	G11418	2	Hex Socket Head Cap Screw, 1/4"-20 x 1 1/2"
11	GB0554	2	Hub Shield
12	GD2597	1	Retainer
13	GD0840	1	Dust Cap
14	G10722	4	Hex Head Cap Screw, 1/2"-20 x 1"
	G10228	4	Lock Washer, 1/2"
15	G10544	1	Cotter Pin, 5/32" x 1"
16	G10725	1	Slotted Hex Nut, 5/8"-18
17	GR0150	1	Inner Cup
18	GA0245	1	Bearing
19	GA15151	1	Spindle
20	G10844	1	Carriage Bolt, 1/2"-13 x 3 1/2"
	G10168	1	Machine Bushing, 1/2", 7 Gauge
	G10228	1	Lock Washer, 1/2"
	G10102	1	Hex Nut, 1/2"-13
21	G10045	1	Hex Head Cap Screw, 1/2"-13 x 4 1/2"
	G10168	2	Machine Bushing, 1/2", 7 Gauge
	G10228	2	Lock Washer, 1/2"
	G10102	2	Hex Nut, 1/2"-13
A	GA13719	-	Hub And Spindle Assembly, (Items 4-7, 9, and 12-19)

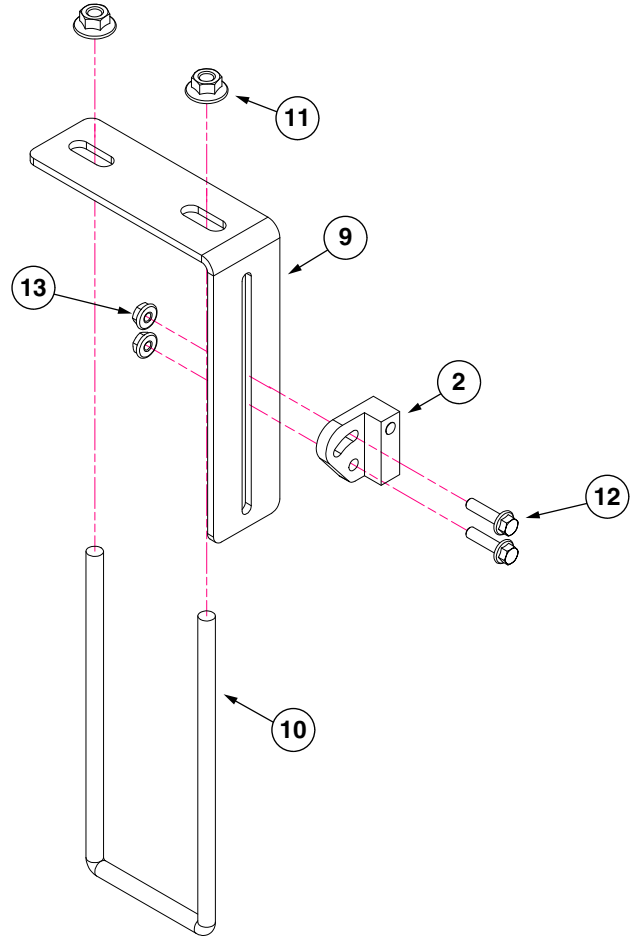


ITEM	PART NO.	QTY.	DESCRIPTION
1	GD30723	1	4 Gallon Water Tank W/Lid
2	G11386	4	Flat Washer, 5/16" SAE
3	G10018	4	Hex Head Cap Screw, 5/16"-18 x 5/8"
4	GA24449	1	Water Tank Mount
5	GD30221	2	Water Tank Mount Brackets
6	G10383201	1	Decal, Notice
7	G10727	1	Reducing Nipple, 1-1/4" x 1"
8	G11742	1	1" NPT 90° Elbow
9	GD30722	1	1" NPTF Flush Valve
10	G10686	4	Hex Head Cap Screw, 3/8"-16 x 8"

(102316/104049)

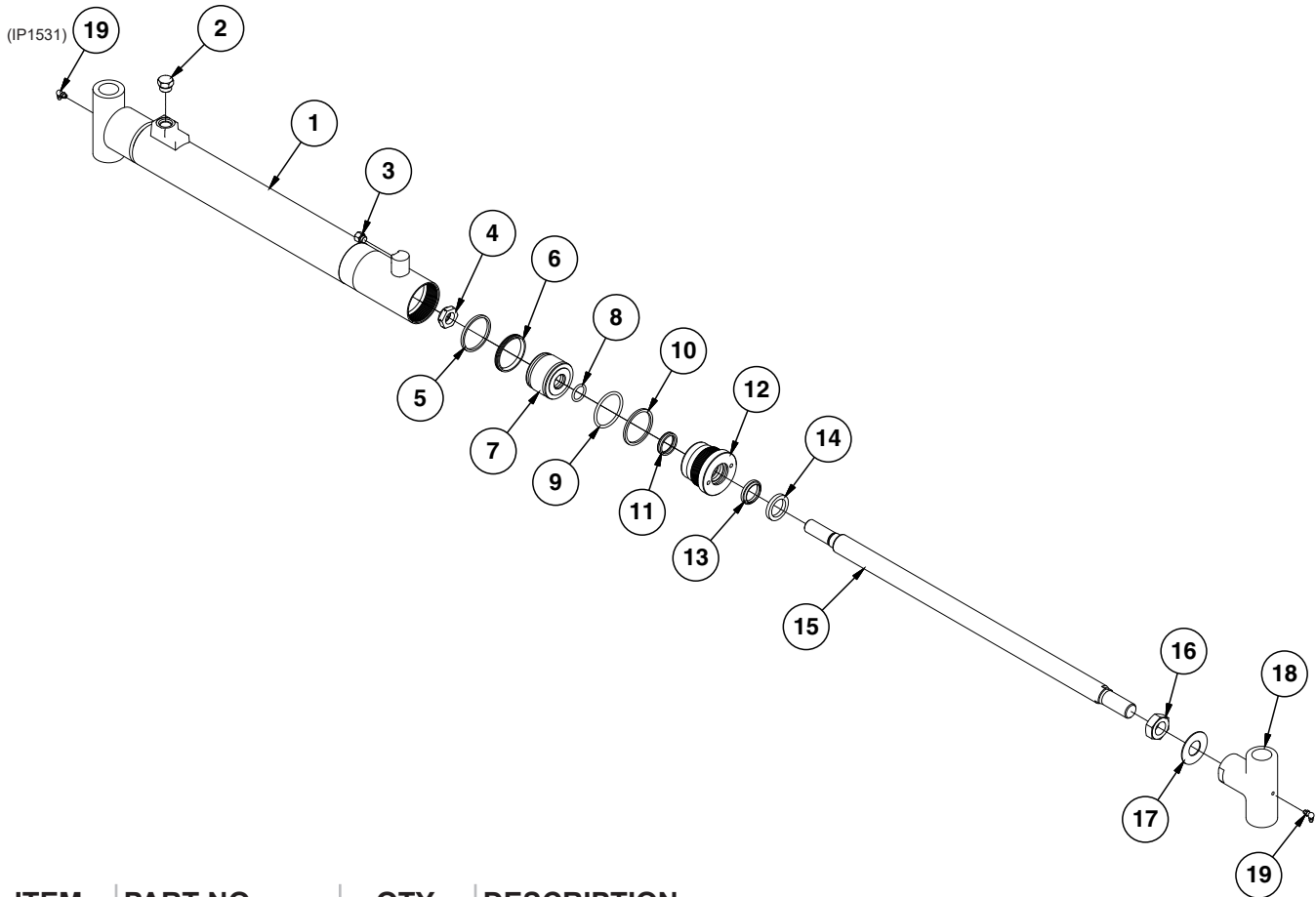


Blue Drive



Ag Leader

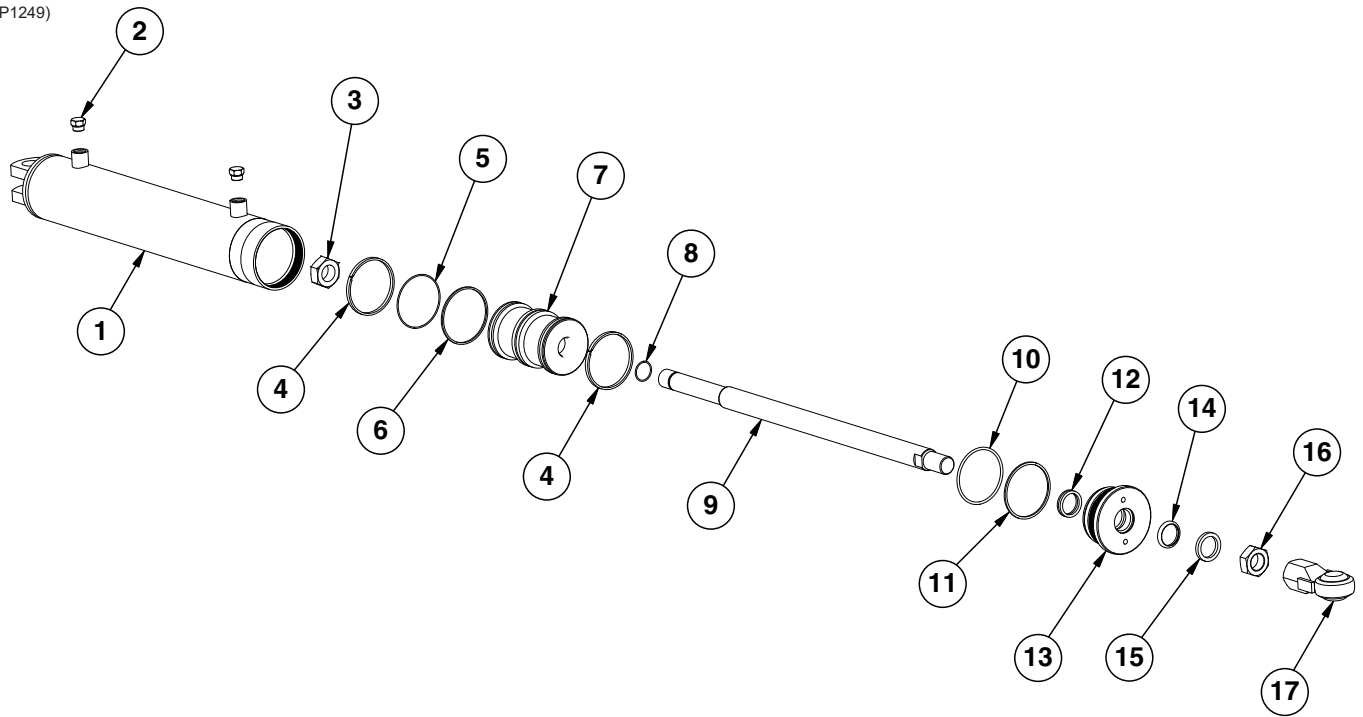
ITEM	PART NO.	QTY.	DESCRIPTION
1	G10231701	1	Implement Switch Base
2	GA18353	1	Position Switch Magnetic Reed
3	G10108	2	Lock Nut, 3/8"-16
4	G11387	4	Hardened Washer, 3/8" SAE
5	G10003	2	Hex Head Cap Screw, 3/8"-16 x 1 1/2"
6	G10231801	1	Implement Switch Bracket
7	G11385	4	Flat Washer, 1/4" SAE
8	G10064	4	Hex Head Cap Screw, 1/4"-20 x 1"
9	G10403801	1	Switch Mount Bracket
10	G10403501	1	U-Bolt, 3" x 8" x 3/8"-16
11	G11091	2	Serrated Flange Nut, 3/8"-16
12	G11409	2	Hex Serrated Flanged Cap Screw, 1/4"-20 x 1"
13	G10621	2	Serrated Flange Nut, 1/4"-20



ITEM	PART NO.	QTY.	DESCRIPTION
1	A14631	1	Barrel (Non-Stock Item)
2	G6408-08 GR1037	1	Plug W/O-Ring, 3/4"-16 O-Ring O-Ring
3	G6408-04 GR1465	1	Plug W/O-Ring, 7/16"-20 O-Ring O-Ring
4	GD27234	1	Nylon Lock Nut, 7/8"-14, Grade 8
5	*D12012	1	Piston Ring
6	*D12275	1	T-Seal
7	GD30264	1	Piston
8	*D30262	1	O-Ring, No. 213
9	*D12212	1	O-Ring, No. 330
10	*D12213	1	Back-Up Ring
11	*D12251	1	U-Cup
12	GD10207	1	Gland
13	*D12210	1	Wiper
14	GD12102	1	Ring, 1 1/4"
15	GD30263	1	Rod
16	G10324	1	Hex Jam Nut, 1"-14, Grade 2
17	GD23002	1	Locking Device
18	GD14308	1	Threaded Sleeve End
19	G10779	2	Grease Fitting, 90°, 1/4"-28
A	GA21030	-	Cylinder Complete, 2 1/2" x 20" (Part Number Stamped On Barrel)
B	GR1925	1	Seal Kit, Includes: (2) O-Rings, (1) Back-Up Ring, (1) U-Cup, (1) Wiper, (1) Piston Ring, (1) T-Seal

\* Item is part of seal kit, item can not be purchased individually.

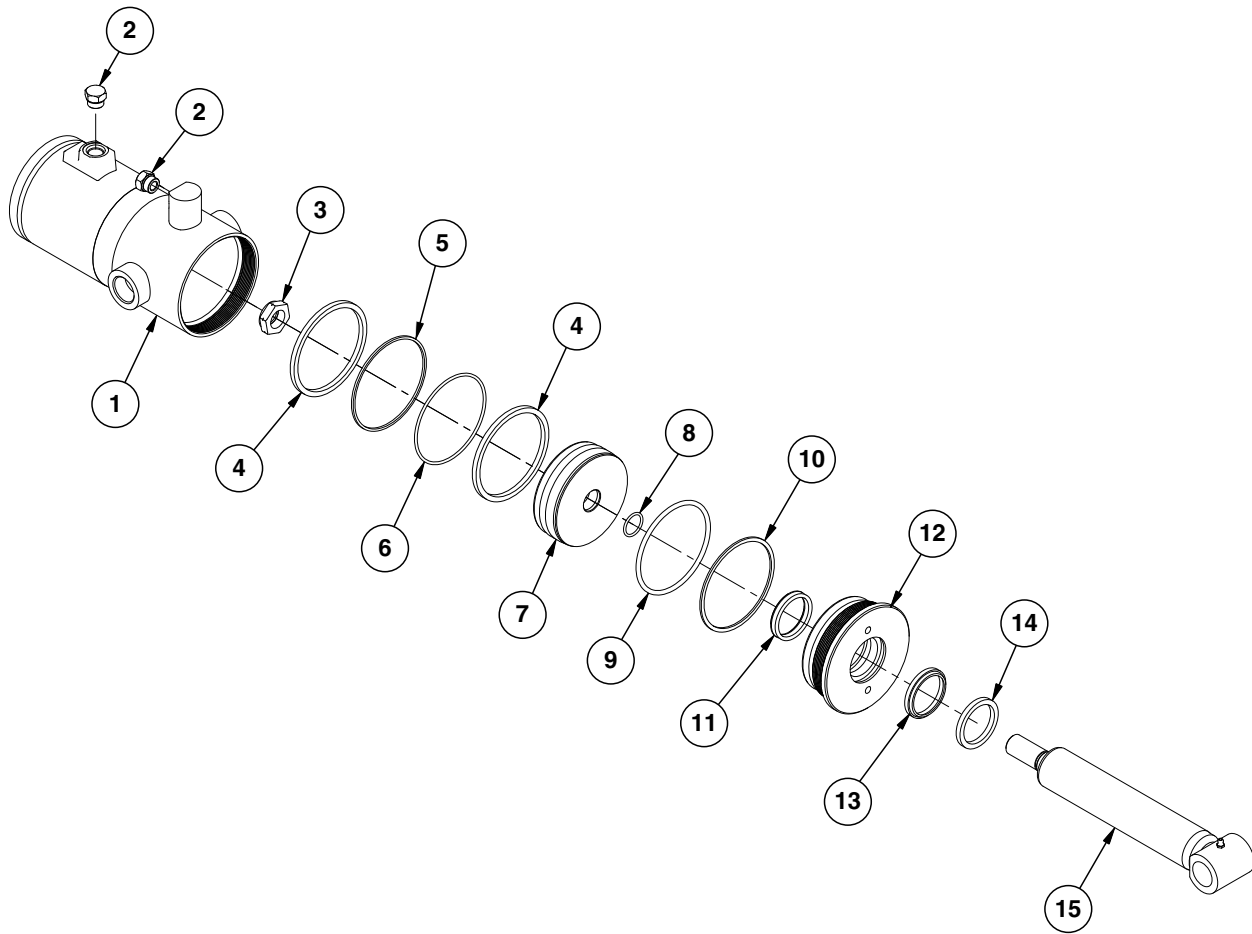
(IP1249)



ITEM	PART NO.	QTY.	DESCRIPTION
1	**A7220	1	Barrel (Non-Stock Item)
2	G6408-08 GR1037	2 -	Plug W/O-Ring, 3/4"-16 O-Ring
3	G10972	1	Lock Nut, 1 1/4"-12
4	*D12040	2	Cast Iron Ring
5	*D12072	1	Piston Seal
6	*D12224	1	Expander
7	GD11992	1	Piston
8	*D12223	1	O-Ring
9	GD11991	1	Rod
10	*D12221	1	O-Ring
11	*D12222	1	Backup Ring
12	*D12252	1	U-Cup
13	GD11988	1	Gland
14	*D12206	1	Wiper
15	GD12103	1	Ring
16	G10509	1	Hex Jam Nut, 1 1/4"-12, Grade 2
17	GA7221	1	Threaded Ball Joint End
A	GA8904	-	Cylinder Complete, 4" x 16" (Part Number Stamped On Barrel)
B	GR1524	-	Seal Kit, Includes: (2) O-Rings, (1) U-Cup, (1) Wiper, (1) Seal, (2) Cast Iron Rings, (1) Backup Ring, (1) Expander

\* Item is part of seal kit, item can not be purchased individually.

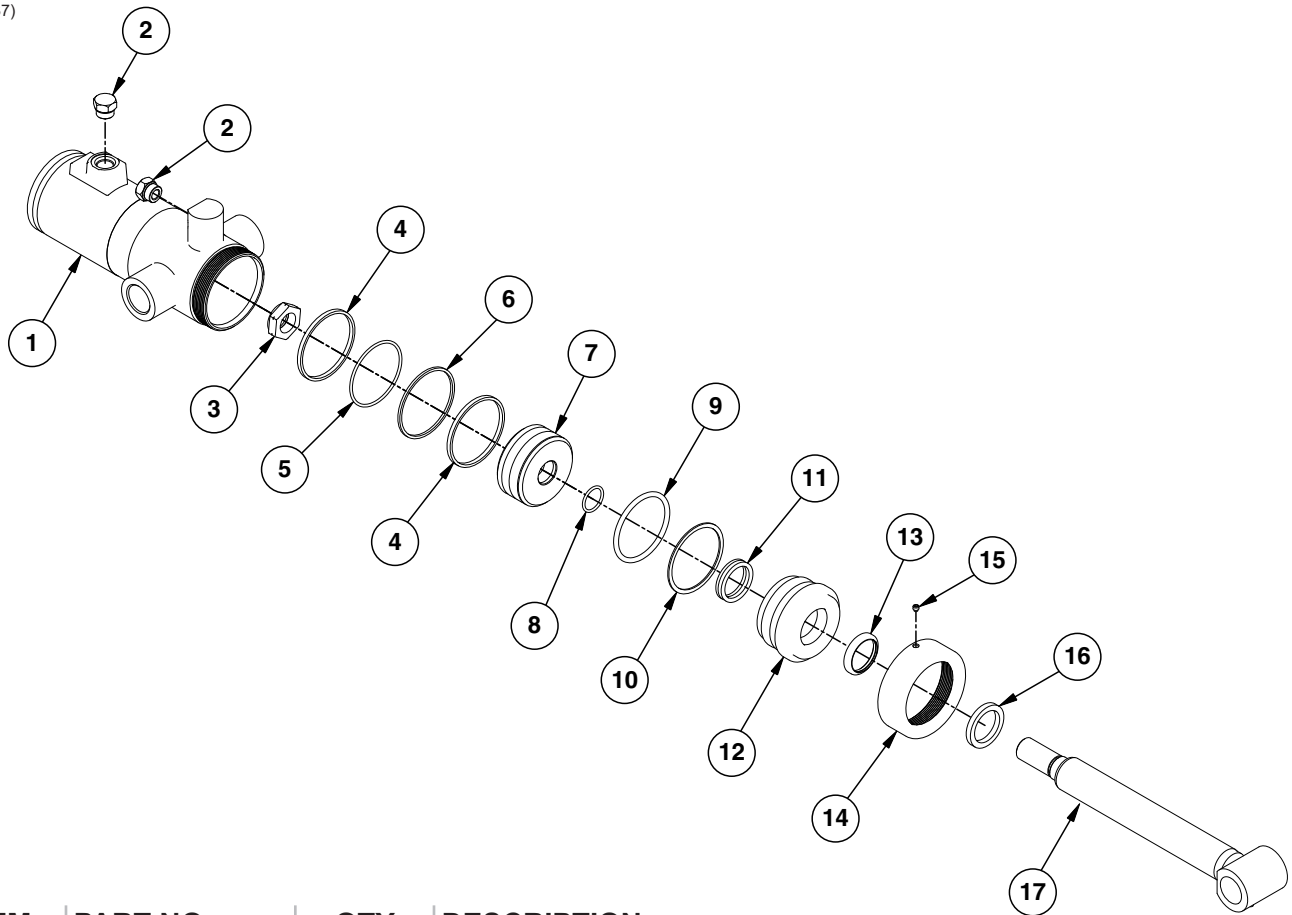
(IP1538)



ITEM	PART NO.	QTY	DESCRIPTION
1	**A14278	1	Barrel (Non-Stock Item)
2	G6408-08 GR1037	2 -	Plug W/O-Ring, 3/4"-16 O-Ring O-Ring
3	GD27235	1	Nylon Lock Nut, 1"-14, Grade 8
4	*D12092	2	Cast Iron Piston Ring
5	*D12093	1	Piston Seal
6	*D12248	1	Energizer Seal
7	GD29651	1	Piston
8	*D29649	1	O-Ring, No. 215
9	*D12246	1	O-Ring, No. 348
10	*D12247	1	Back-up Ring
11	*D12255	1	U-Cup
12	GD12572	1	Gland
13	*D12240	1	Wiper, 2"
14	GD12106	1	Ring
15	GA20773 GA21590	1 -	Rod, Style A (Part Number Stamped On Barrel - A20772) Rod, Style B (Part Number Stamped On Barrel - A21589)
A	GA20772 GA21589	- -	Cylinder Complete, 4 3/4" x 6" (Part Number Stamped On Barrel), Style A Cylinder Complete, 4 3/4" x 6.19" (Part Number Stamped On Barrel), Style B
B	GR2224	1	Seal Kit, Includes: (1)Wiper, (2) O-Rings, (1) Back-up Ring, (1) U-Cup, (1) Seal, (2) Cast Iron Rings, (1)Energizer Seal

\* Item is part of seal kit, item can not be purchased individually.

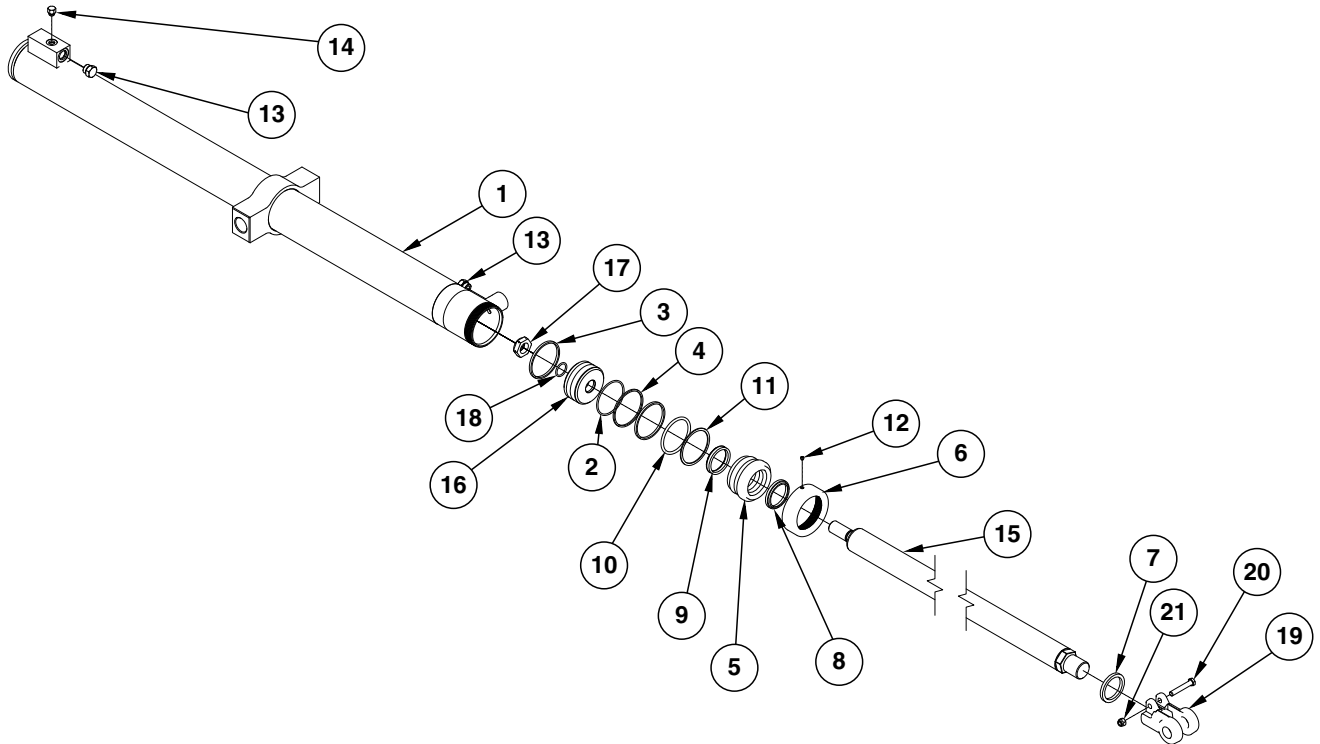
(IP1537)



ITEM	PART NO.	QTY	DESCRIPTION
1	**A9467	1	Barrel (Non-Stock Item)
2	G6408-08 GR1037	2 -	Plug W/O-Ring, 3/4"-16 O-Ring O-Ring
3	GD27235	1	Nylon Lock Nut, 1"-14, Grade 8
4	*D12110	2	Cast Iron Piston Ring
5	*D12108	1	Piston Seal
6	*D12257	1	Energizer Seal
7	GD30697	1	Piston
8	*D29649	1	O-Ring, No. 215
9	*D12227	1	O-Ring, No. 336
10	*D12228	1	Back-Up Ring
11	*D12252	1	U-Cup
12	GD13302	1	Gland
13	*D12206	1	Wiper, 1 1/2"
14	GD13303	1	Cap
	G10907	1	Set Screw, 1/4"-20 x 1/4"
15	G10907	1	Set Screw, 1/4"-20 x 1/4"
16	GD12103	1	Ring
17	GA21592	1	Rod
A	GA21591	-	Cylinder Complete, 3 1/4" x 6" (Part Number Stamped On Barrel)
B	GR1573	-	Seal Kit, Includes: (1)Wiper, (2) O-Rings, (1) Back-up Ring, (1) U-Cup, (1) Seal, (2) Cast Iron Rings, (1)Energizer Seal

\* Item is part of seal kit, item can not be purchased individually.

(IP1536)

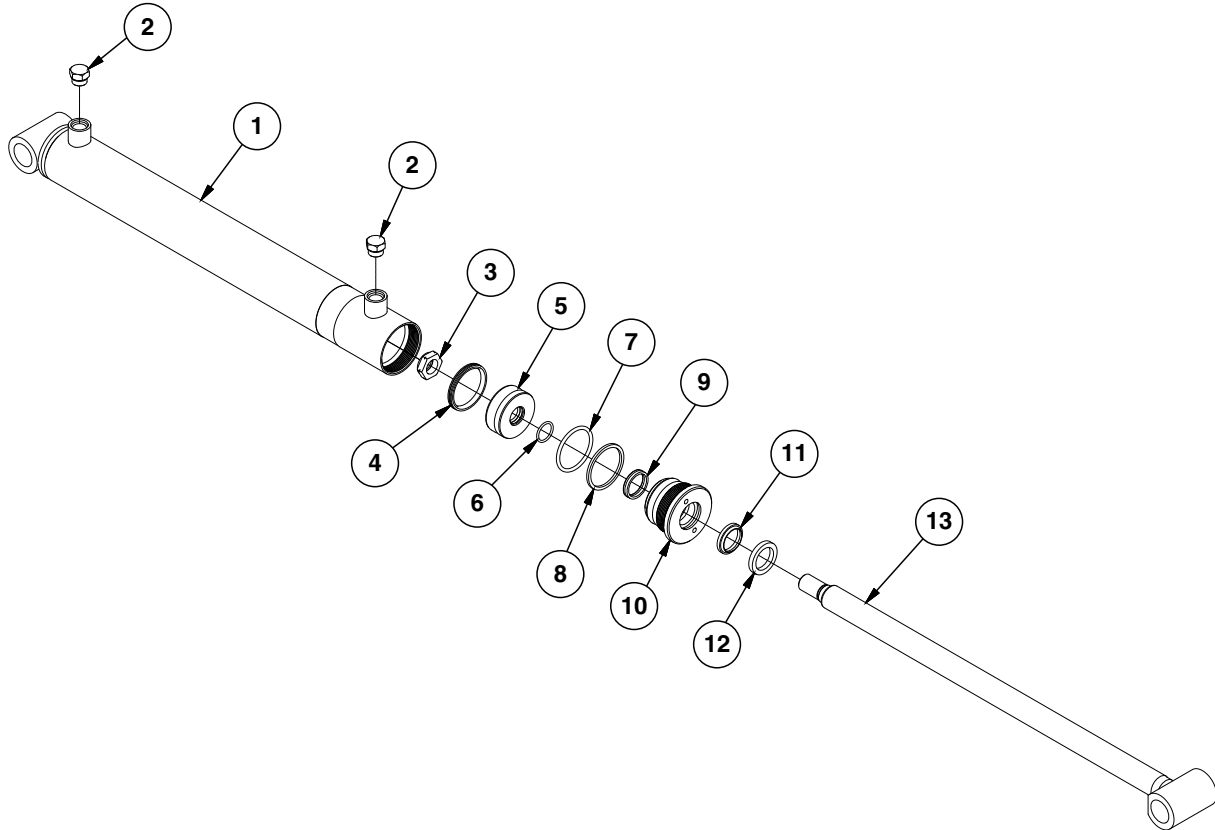




ITEM	PART NO.	QTY.	DESCRIPTION
1	**A14275	1	Barrel (Non-Stock Item)
2	*D12108	1	Piston Seal
3	*D12110	2	Cast Iron Ring
4	*D12257	1	Expander
5	GD30881	1	Gland, 12 Row
	GD13307	1	Gland, 16 Row
6	GD13303	1	Cap
7	GD12106	1	Ring
8	*D12218	1	Wiper, 12 Row
	*D12240	1	Wiper, 16 Row
9	*D12254	1	U-Cup, 12 Row
	*D12255	1	U-Cup, 16 Row
10	*D12227	1	O-Ring
11	*D12228	1	Backup Ring
12	G10907	1	Set Screw, 1/4"-20 x 1/4"
13	G6408-08	2	Plug W/O-Ring, 3/4"-16 O-Ring
	GR1037	-	O-Ring
14	G6408-04	1	Plug W/O-Ring, 7/16"-20 O-Ring
	GR1465	-	O-Ring
15	GD30880	1	Rod, 12 Row
	GD30696	1	Rod, 16 Row
16	GD30697	1	Piston
17	GD27235	1	Nylon Lock Nut, 1"-14, Grade 8
18	*D29649	1	O-Ring, No. 215
19	GD30860	1	Clevis Rod
20	G10939	1	Hex Head Cap Screw, 3/8"-16 x 2 1/4"
21	G10108	1	Lock Nut, 3/8"-16
A	GA21813	-	Cylinder Complete, 3 1/4" x 48" (Part Number Stamped On Barrel), 12 Row
	GA21771	-	Cylinder Complete, 3 1/4" x 48" (Part Number Stamped On Barrel), 16 Row
B	GR2234	-	Seal Kit (12 Row), Includes: (1) Wiper, (1) Loaded U-Cup, (6) O-Rings, (3) BU Rings, (1) Piston Seal, (1) Energizer Seal, (1) Piston Ring
	GR2230	-	Seal Kit (16 Row), Includes: (1) Wiper, (1) Loaded U-Cup, (6) O-Rings, (4) BU Rings, (1) Piston Seal, (1) Energizer Seal, (1) Piston Ring

\* Item is part of seal kit, item can not be purchased individually.

(IP1533)

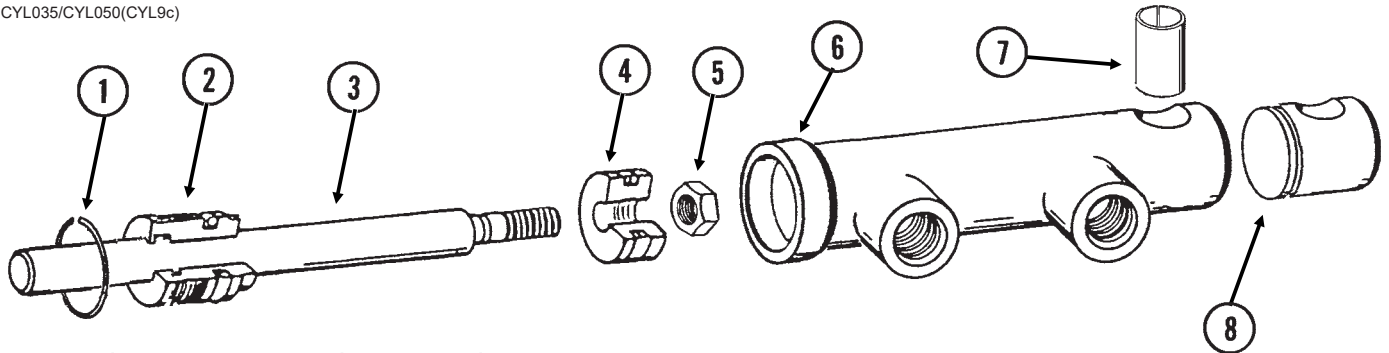


ITEM	PART NO.	QTY.	DESCRIPTION
1	**A8822	1	Barrel (Non-Stock Item)
2	G6408-08 GR1037	2 -	Plug W/O-Ring, 3/4"-16 O-Ring O-Ring
3	GD27234	1	Nylon Lock Nut, 7/8"-14, Grade 8
4	*D12275	1	T-Seal
5	GD30401	1	Piston
6	*D30399	1	O-Ring, No. 119
7	*D12212	1	O-Ring, No. 330
8	*D12213	1	Back--Up Ring
9	*D12251	1	U-Cup
10	GD11985	1	Gland
11	*D12210	1	Wiper
12	GD12102	1	Ring
13	GA21114	1	Rod

A	GA21115	-	Cylinder Complete, 2 1/2" x 20 1/16" (Part Number Stamped On Barrel)
B	GR1522	-	Seal Kit, Includes: (1) T-Seal, (2) O-Rings, (1) Backup Ring, (1) U-Cup, (1) Wiper

\* Item is part of seal kit, item can not be purchased individually.

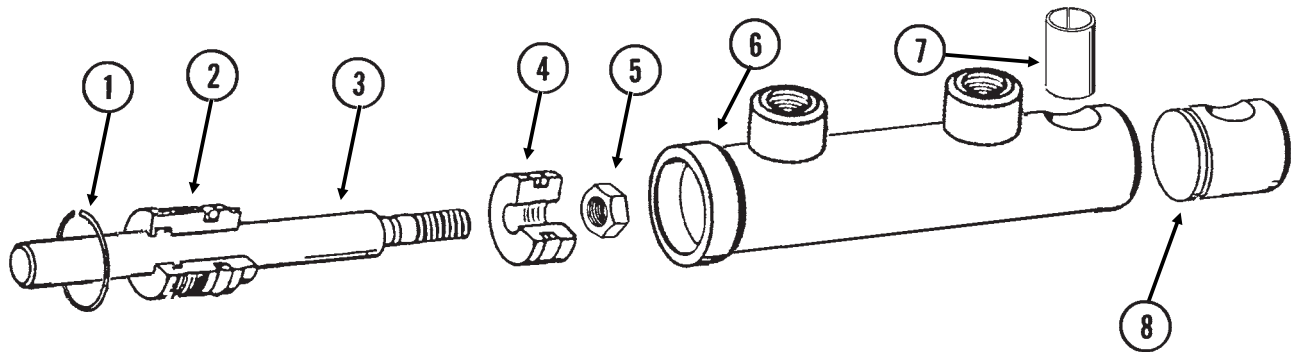
CYL035/CYL050(CYL9c)



ITEM	PART NO.	QTY.	DESCRIPTION
1	G10770	1	Internal Retaining Ring, 1 $\frac{1}{16}$ "
2	GD13170	1	Gland
3	GD13425	1	Rod
4	GD13172	1	Piston
5	GD27232	1	Nylon Lock Nut, $\frac{1}{2}$ "-20, Grade 8
6	**D13426	1	Barrel ( <b>Non-Stock Item</b> )
7	GD13400	1	Tension Bushing, 1" x 2" Long
8	GD13173	1	End Cap
A	GA9559	-	Cylinder Complete, 1 $\frac{1}{2}$ " x 2 $\frac{1}{2}$ " ( <i>Part Number Stamped On Barrel</i> )
B	GR1598	-	Seal Kit, Includes: (3) O-Rings, (2) BU Rings, (1) Wiper, (1) T-Seal, (1) Bronze Bushing, (1) Seal, (1) U-Cup

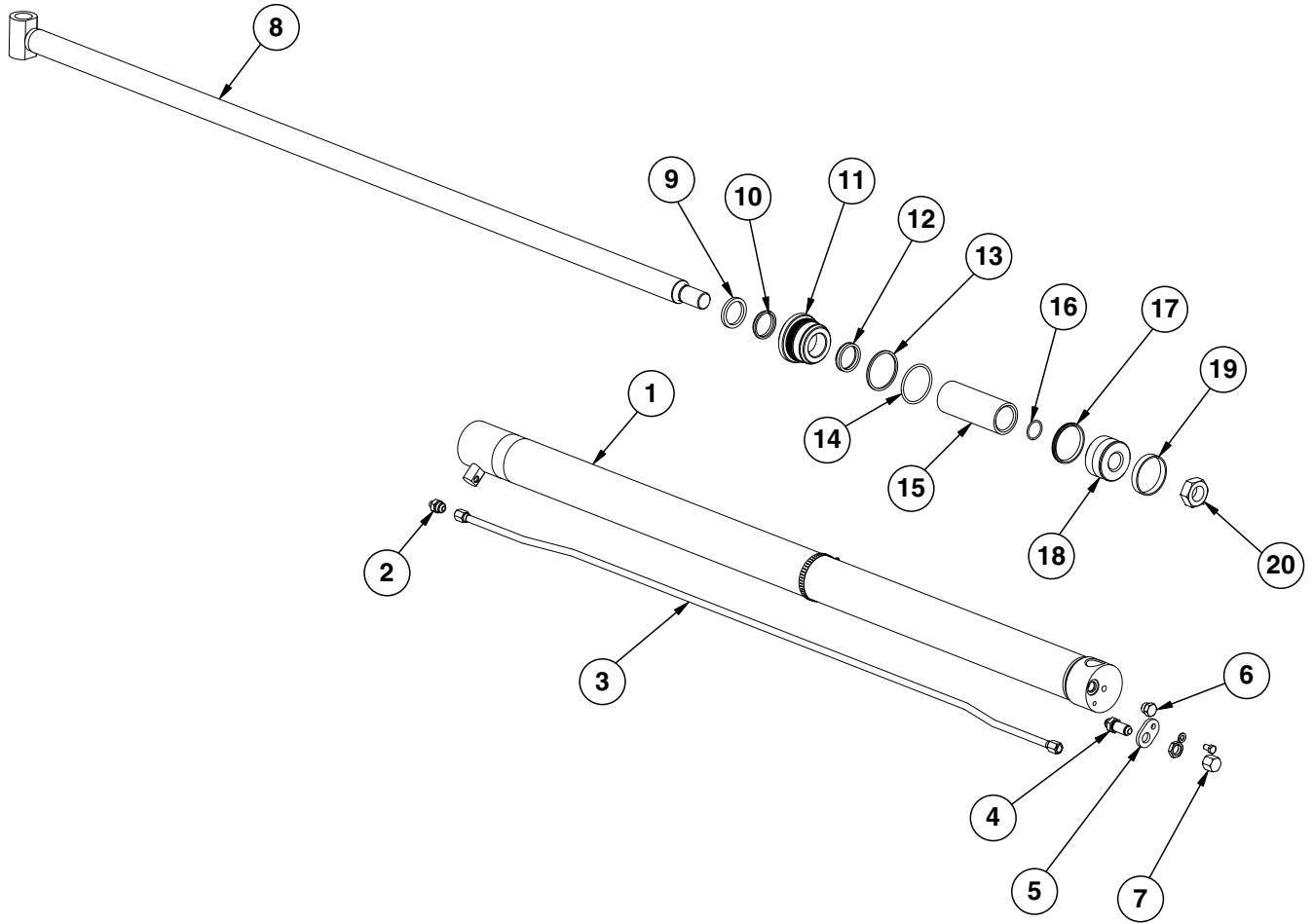
Tongue Lock Cylinder

CYL035(CYL9d)



ITEM	PART NO.	QTY.	DESCRIPTION
1	G10770	1	Internal Retaining Ring, 1 $\frac{1}{16}$ "
2	GD13170	1	Gland
3	GD13171	1	Rod
4	GD13172	1	Piston
5	GD27232	1	Nylon Lock Nut, $\frac{1}{2}$ "-20, Grade 8
6	**D13169	1	Barrel ( <b>Non-Stock Item</b> )
7	GD13400	1	Tension Bushing, 1" x 2" Long
8	GD13173	1	End Cap
A	GA9205	-	Cylinder Complete, 1 $\frac{1}{2}$ " x 2 $\frac{1}{2}$ " ( <i>Part Number Stamped On Barrel</i> )
B	GR1598	-	Seal Kit, Includes: (3) O-Rings, (2) BU Rings, (1) Wiper, (1) T-Seal, (1) Bronze Bushing, (1) Seal, (1) U-Cup

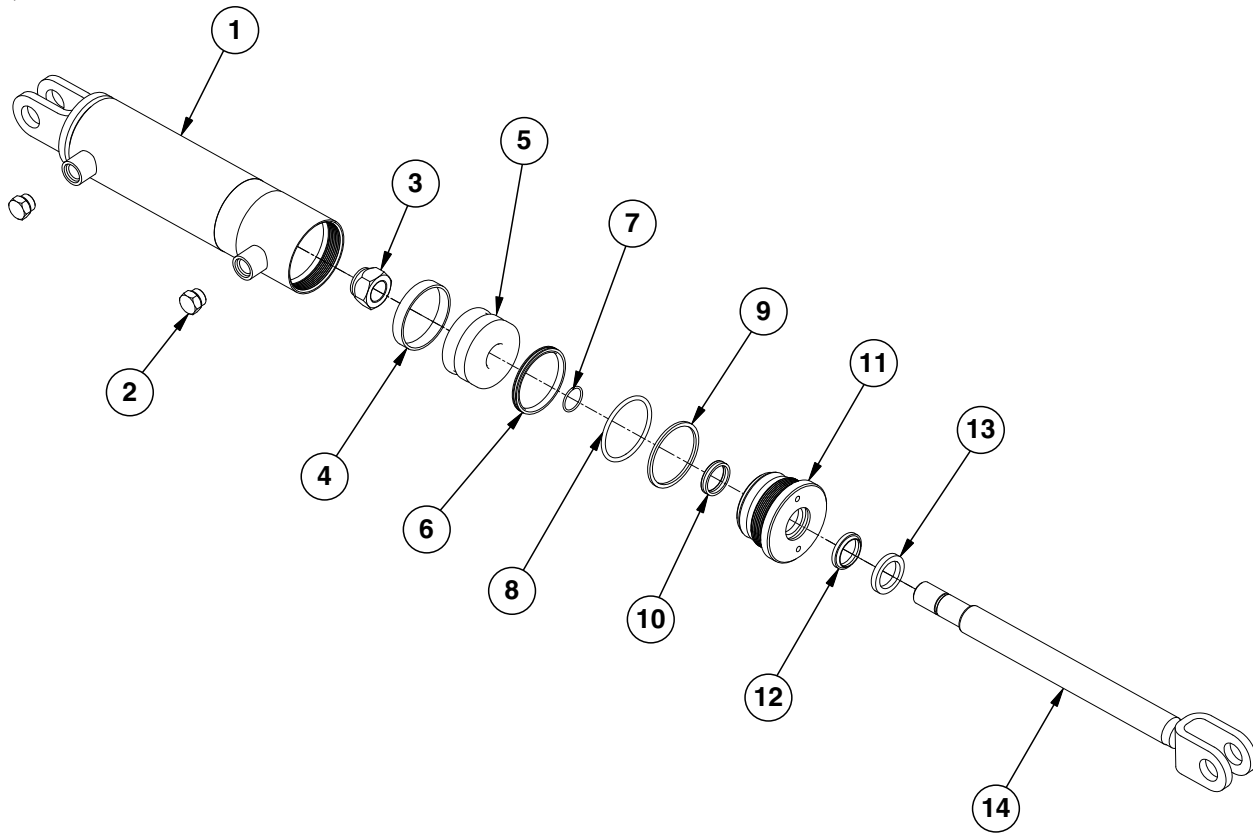
(IP1251)



ITEM	PART NO.	QTY.	DESCRIPTION
1	**A13937	1	Barrel, 12 Row ( <b>Non-Stock Item</b> )
	**A13953	1	Barrel, 16 Row ( <b>Non-Stock Item</b> )
2	G6400-08-04	1	Connector W/O-Ring, 3/4"-16 Male JIC To 7/16"-20 O-Ring
	GR1465	-	O-Ring
3	GA13939	1	Hydraulic Tube Assembly, 62 <sup>7</sup> / <sub>8</sub> "
	GA8979	1	Hydraulic Tube Assembly, 92 <sup>1</sup> / <sub>16</sub> "
	G10990	1	Hose Clamp, No. 52
4	G2700-08	1	Bulkhead Tube Union, 3/4"-16 Male JIC
	G306-08	1	Lock Nut, 3/4"-16
5	GD12597	1	Bracket
	G10328	1	Hex Head Cap Screw, 3/8"-16 x 5/8"
	G10229	1	Lock Washer, 3/8"
6	G6408-08	1	Plug W/O-Ring, 3/4"-16 O-Ring
	GR1037	-	O-Ring
7	G304-C-08	1	Cap Nut, 3/4"-16
8	GA13935	1	Rod Assembly, 12 Row
	GA8859	1	Rod Assembly, 16 Row
9	GD12104	1	Ring
10	*D12200	1	Wiper
11	GD11984	1	Gland
12	*D12253	1	U-Cup
13	*D12203	1	BU Ring
14	*D12202	1	O-Ring, No. 334
15	GD26483	1	Stroke Limiter
16	*D12204	1	O-Ring, No. 218
17	*D12278	1	T-Seal
18	GD11970	1	Piston
19	*D12047	1	Wear Ring
20	GD27237	1	Nylon Lock Nut, 1 <sup>1</sup> / <sub>4</sub> "-12, Grade 8
A	GA18977	-	Cylinder Complete, 3" x 40.5", 12 Row ( <i>Part Number Stamped On Barrel</i> )
	GA18287	-	Cylinder Complete, 3" x 73.38", 16 Row ( <i>Part Number Stamped On Barrel</i> )
B	GR1519	-	Seal Kit Includes: (2) O-Rings, (1) BU Ring, (1) Wear Ring, (1) Wiper, (1) U-Cup, (1) T-Seal

\* Item is part of seal kit, item can not be purchased individually.

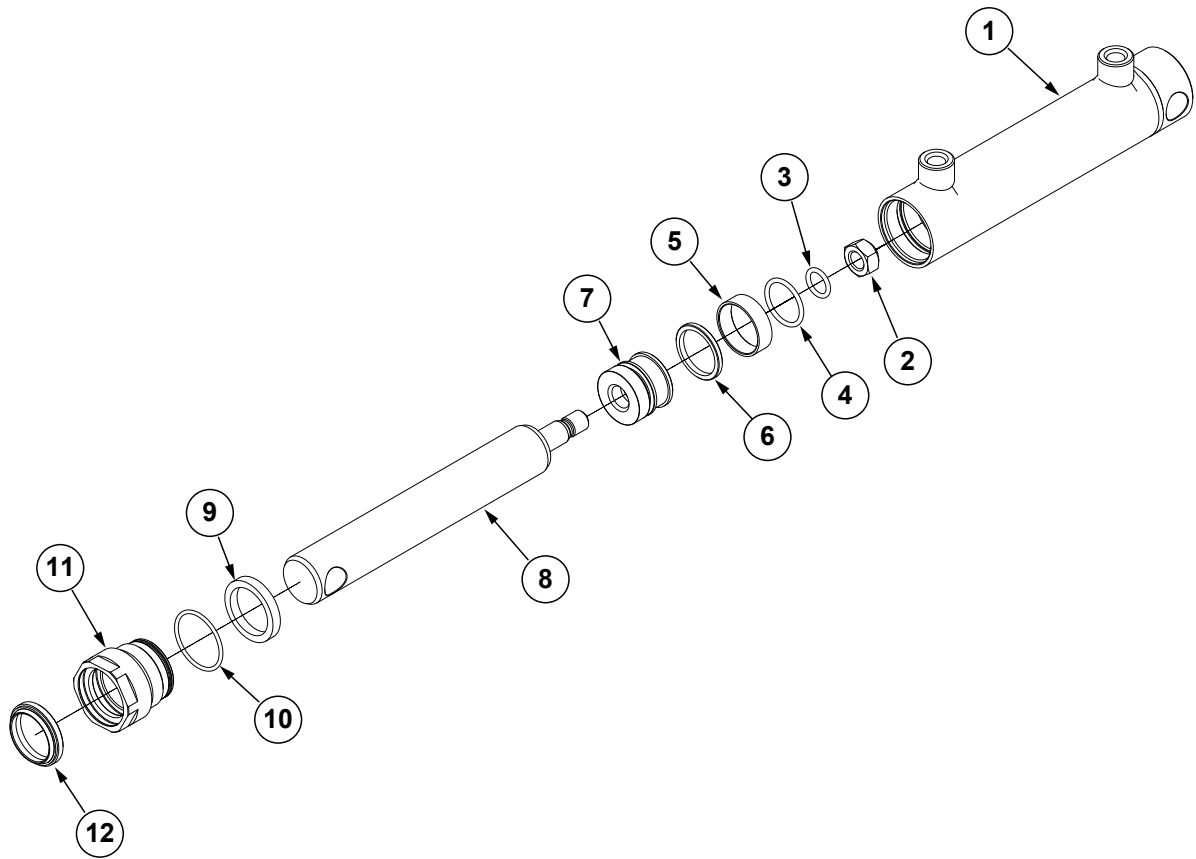
(IP1285)



ITEM	PART NO.	QTY.	DESCRIPTION
1	**A14480	1	Barrel (Non-Stock Item)
2	G6408-08 GR1037	2 -	Plug W/O-Ring, 3/4"-16 O-Ring O-Ring
3	GD27235	1	Nylon Lock Nut, 1"-14, Grade 8
4	*D12047	1	Wear Ring
5	GD12502	1	Piston
6	*D12278	1	T-Seal
7	*D12226	1	O-Ring, No. 120
8	*D12202	1	O-Ring, No. 334
9	*D12203	1	BU Ring
10	*D12251	1	U-Cup
11	GD11999	1	Gland
12	*D12210	1	Wiper
13	GD12102	1	Ring
14	GA14478	1	Rod
A	GA14481	-	Cylinder Complete, 3" x 8" (Part Number Stamped On Barrel)
B	GR1526	-	Seal Kit, Includes: (1) Wear Ring, (2) O-Rings, (1) BU Ring, (1) U-Cup, (1) Wiper, (1) T-Seal

\* Item is part of seal kit, item can not be purchased individually.

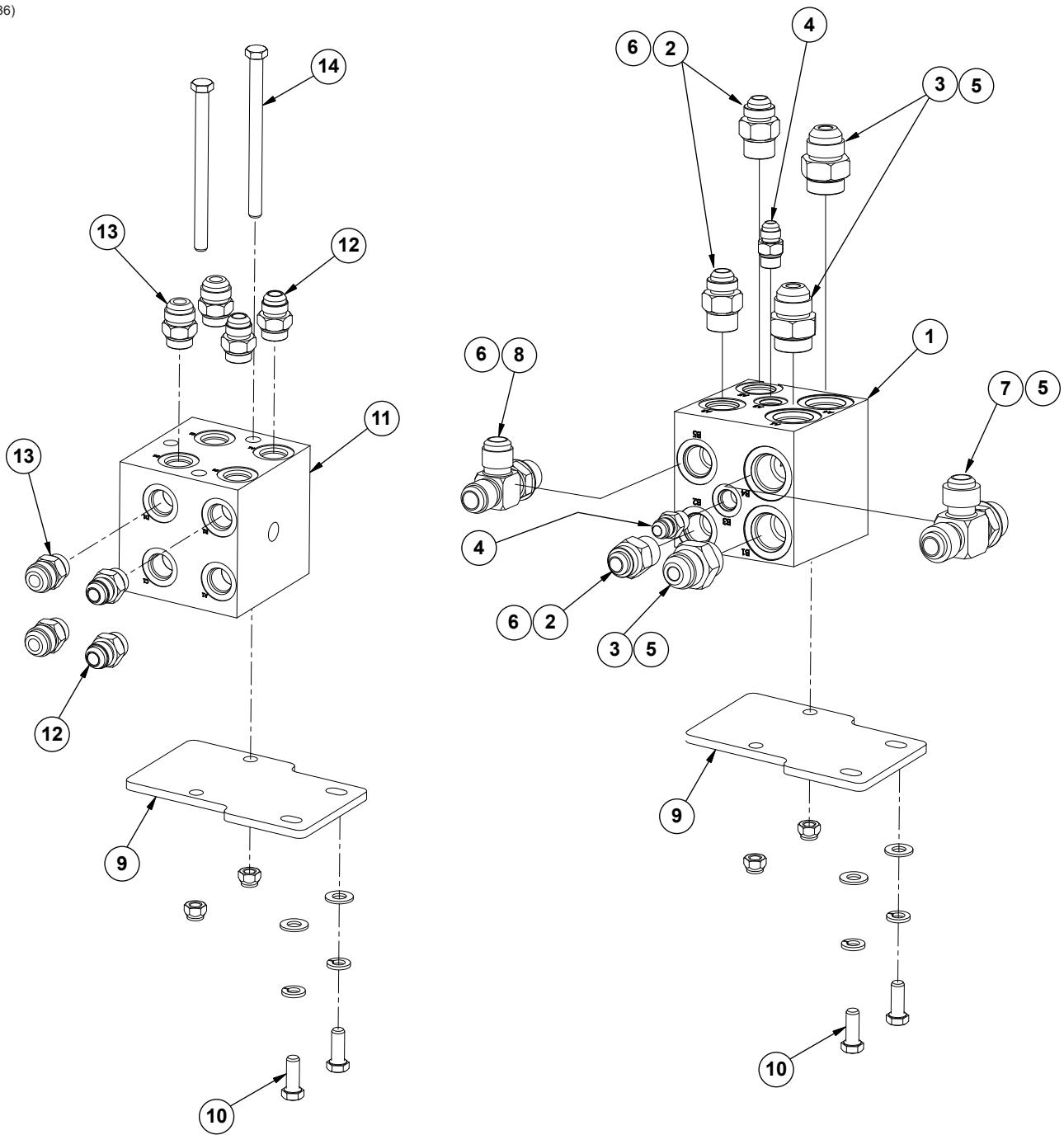
(IP1531)



ITEM	PART NO.	QTY.	DESCRIPTION
1	R2282	1	Barrell (Non-Stock Item)
2	*R2309	1	Piston Nut
3	*R2303	1	O-Ring
4	*R2300	1	Piston O-Ring
5	*R2302	1	Wear Band
6	*R2301	1	Piston Seal
7	*R2308	1	Piston
8	*R2281	1	Cylinder Rod
9	*R2305	1	Rod Seal
10	*R2304	1	O-Ring
11	*R2283	1	Head Gland
12	*R2307	1	Wiper
A	GA25261	-	Cylinder Complete, 1¼" x 4¼"
B	GR2362	-	Piston Rod and Seals Assembly, Includes Items 2-8
C	GR2363	-	Head Gland and Seals Assembly, Includes Items 9-12

\* Item is part of a sub-assembly, item can not be purchased individually.

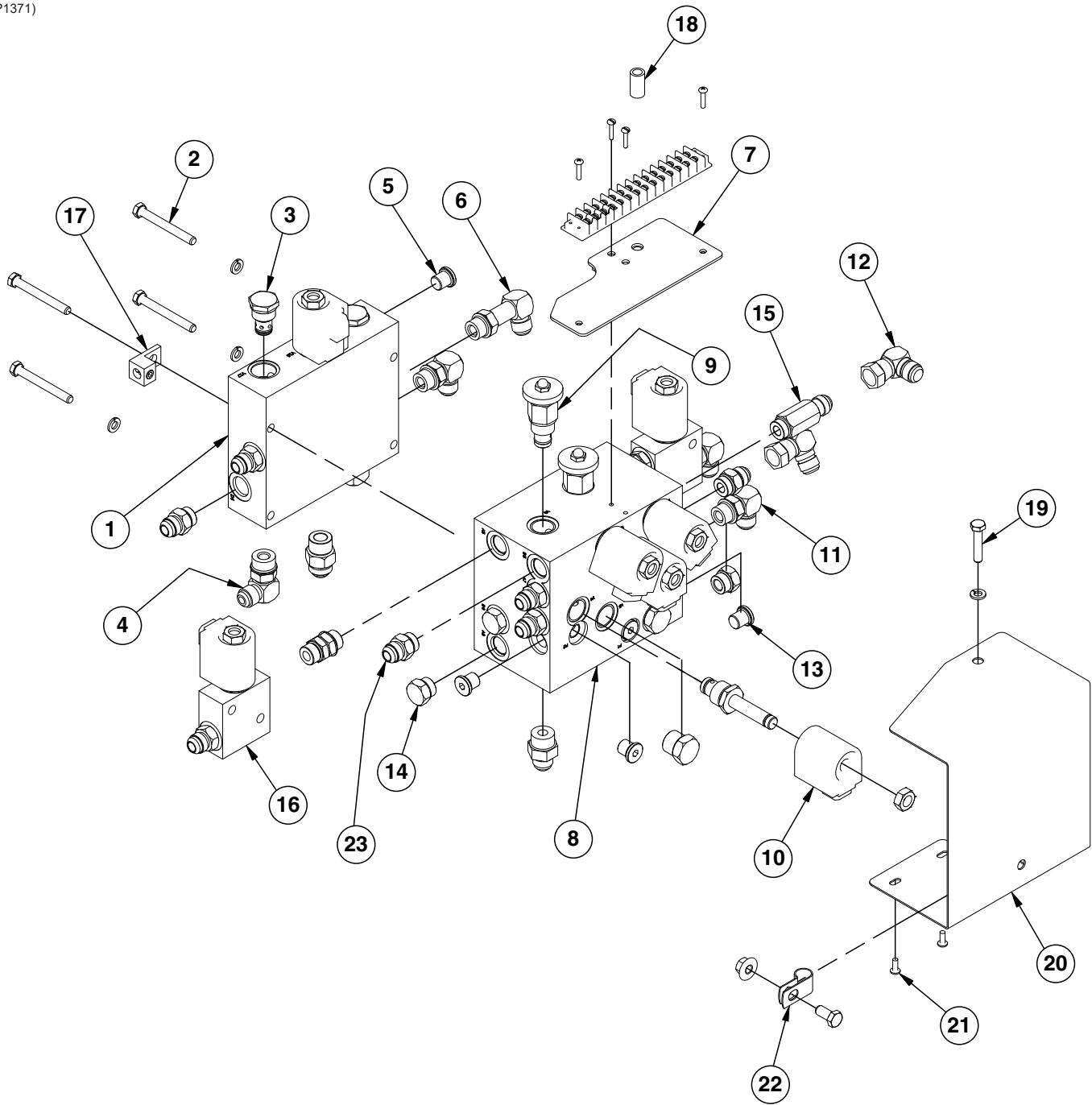
(IP1236)





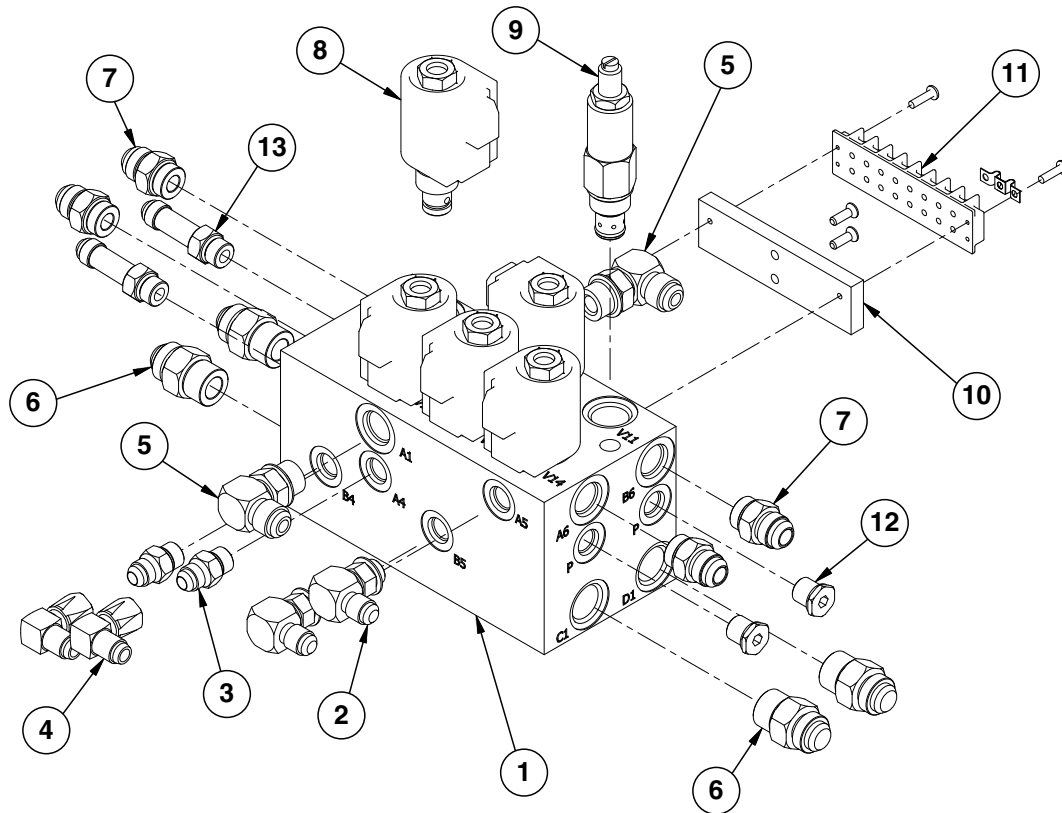
ITEM	PART NO.	QTY.	DESCRIPTION
1	GD20697	1	Fan Junction Block
2	G6400-10 GR1037	3 -	Connector W/O-Ring, 7/8"-14 Male JIC To O-Ring O-Ring
3	G6400-12 GR1467	3 -	Connector, W/O-Ring, 1 1/16"-12 Male JIC To O-Ring O-Ring
4	G6400-06 GR1045	2 -	Connector W/O-Ring, 9/16"-18 Male JIC To O-Ring O-Ring
5	G11139	5	Thread Protector, 1 1/16"-12
6	G10493	5	Thread Protector, 7/8"-14
7	G6804-12 GR1467	1 -	Adjustable Tee W/O-Ring, 1 1/16"-12 Male JIC To O-Ring O-Ring
8	G6804-10	1	Adjustable Tee W/O-Ring, 7/8"-14 Male JIC To O-Ring
9	GD20695	1	Extension Plate
10	G10001 G10229 G11387	4 4 4	Hex Head Cap Screw, 3/8"-16 x 1" Lock Washer, 3/8" Flat Washer, 3/8" SAE
11	GD9971	1	Manifold Block
12	G6400-08 GR1037	4 -	Connector W/O-Ring, 3/4"-16 Male JIC To O-Ring O-Ring
13	G6400-10-08 GR1037	4 -	Connector W/O-Ring, 7/8"-14 Male JIC To 3/4"-16 O-Ring O-Ring
14	G10172 G10108	2 2	Hex Head Cap Screw, 3/8"-16 x 5" Lock Nut, 3/8"-16

(IP1371)



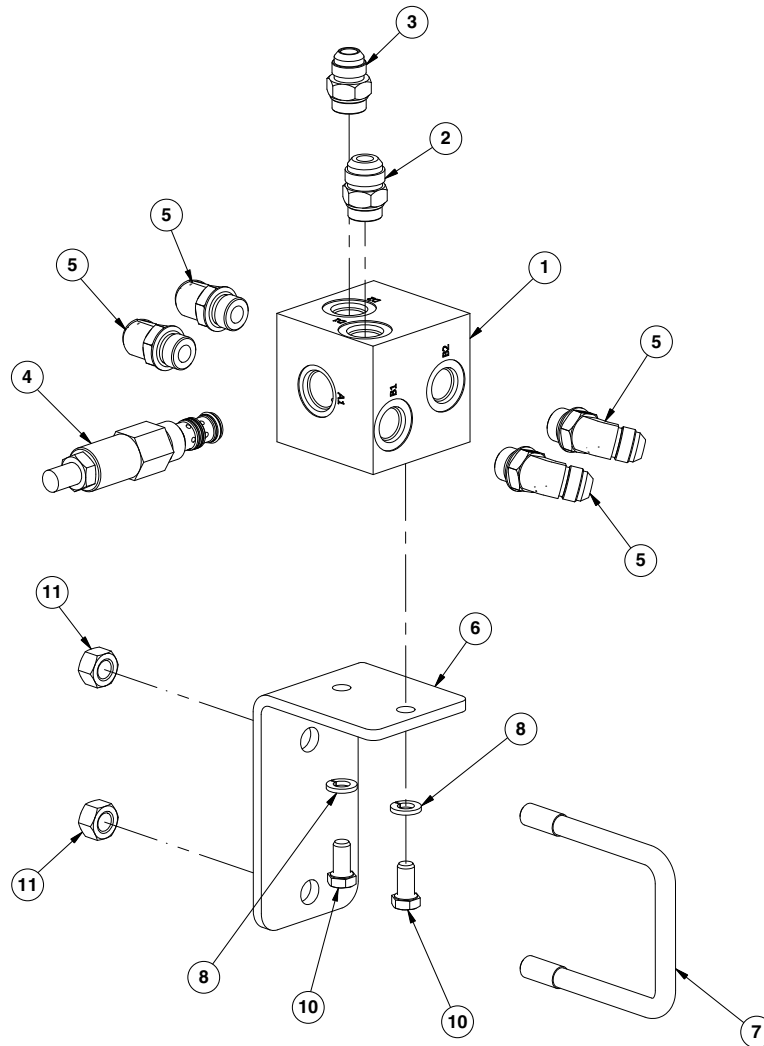
ITEM	PART NO.	QTY.	DESCRIPTION
1	GD9977	1	Block
	G6801-08	1	Elbow W/O-Ring, 90°, 3/4"-16 Male JIC To O-Ring
	GR1037	-	O-Ring
	G6400-08	2	Connector W/O-Ring, 3/4"-16 Male JIC To O-Ring
	GR1037	-	O-Ring
	G6400-10	1	Connector W/O-Ring, 7/8"-14 Male JIC To O-Ring
	GR1466	-	O-Ring
	---	1	<a href="#">See "Solenoid Valve" on page P192</a>
2	G10583	4	Hex Head Cap Screw, 5/16"-18 x 2 3/4"
	G10232	3	Lock Washer, 5/16"
3	GA4293	2	Check Valve
	GR2041	-	Seal Kit
4	G6801-08-10	2	Elbow W/O-Ring, 90°, 3/4"-16 Male JIC To 7/8"-14 O-Ring
	GR1466	-	O-Ring
	G6403-NWO-08	2	Adjustable Union, 3/4"-16 O-Ring
5	G6408-H06-O	1	Hex Socket Head Plug W/O-Ring, 9/16"-18 O-Ring
	GR1045	-	O-Ring
6	G6801-L-08	1	Long Elbow W/O-Ring, 90°, 3/4"-16 Male JIC To O-Ring
	GR1037	-	O-Ring
7	GA13741	1	Terminal Strip Mount
	G11066	2	Phillips Pan Head Machine Screw, No. 10-24 x 3/4", Stainless Steel
	G11067	2	Phillips Pan Head Machine Screw, No. 8-32 x 3/4", Stainless Steel
	GA9097	1	Terminal Strip W/Screws, No. 6, 14 Terminal
	GD13310	3	Jumper, 7/16"
8	GD9533	1	Block
	G6408-10	2	Plug W/O-Ring, 7/8"-14 O-Ring
	GR1466	-	O-Ring
	G6400-08	7	Plug W/O-Ring, 3/4"-16 O-Ring
	GR1037	-	O-Ring
9	GA3413	2	Flow Control Valve
10	---	6	<a href="#">See "Solenoid Valve" on page P192</a>
11	G6801-08	2	Elbow W/O-Ring, 90°, 3/4"-16 Male JIC To O-Ring
	GR1037	-	O-Ring
12	G6500-08	2	Swivel Elbow, 90°, 3/4"-16 Male JIC To Female
13	G6408-H06-O	5	Hex Socket Head Plug W/O-Ring, 9/16"-18 O-Ring
	GR1045	-	O-Ring
14	G6408-08	4	Plug W/O-Ring, 3/4"-16 O-Ring
	GR1037	-	O-Ring
15	G6400-L-08	1	Long Connector W/O-Ring, 3/4"-16 Male JIC To O-Ring
16	GD14528	2	Valve Block
17	GA3584	1	Ground Clamp
18	GD8066-02	1	Sleeve, 1" Long
19	G10003	1	Hex Head Cap Screw, 3/8"-16 x 1 1/2"
	G10229	1	Lock Washer, 3/8"
20	GD13146	1	Valve Block Cover
21	G10977	2	Phillips Pan Head Machine Screw, No. 10-24 x 1/2", Stainless Steel
22	GD34779	1	Insulated Clamp, 7/8"
	G10002	1	Hex Head Cap Screw, 3/8"-16 x 3/4"
	G11091	1	Serrated Flange Nut, 3/8"-16
23	G6403-NWO-08	2	Adjustable Union W/O-Ring, 3/4"-16
A	GR0764	-	Seal Kit, Includes: (2) O-Rings, (1) BU Ring

(IP1110/IP1111)



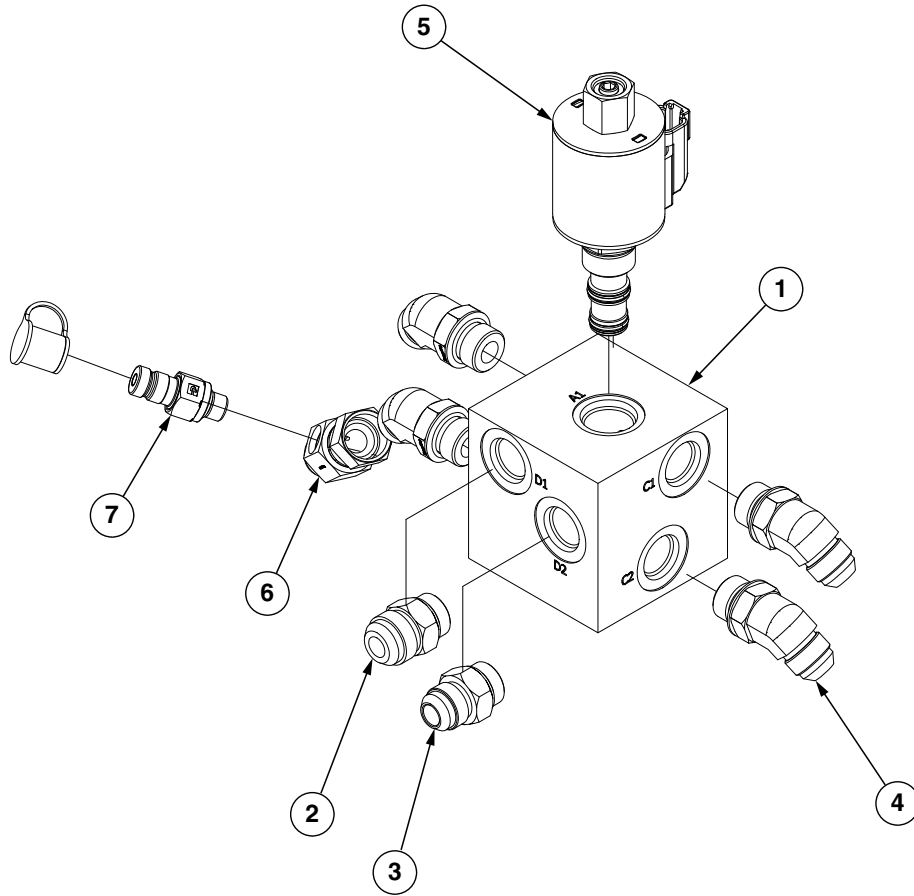
ITEM	PART NO.	QTY.	DESCRIPTION
1	GD9905	1	Block
2	G6801-06 GR1045	2 -	Elbow W/O-Ring, 90°, 1/16"-18 Male JIC To O-Ring O-Ring
3	G6400-06 GR1045	2 -	Connector W/O-Ring, 1/16"-18 Male JIC To O-Ring O-Ring
4	G6500-06	2	Swivel Elbow, 90°, 1/16"-18 Male JIC To Female
5	G6801-08 GR1037	2 -	Elbow W/O-Ring, 90°, 3/4"-16 Male JIC To O-Ring O-Ring
6	G6400-10 GR1466	4 -	Connector W/O-Ring, 7/8"-14 Male JIC To O-Ring O-Ring
7	G6400-08 GR1037	4 -	Connector W/O-Ring, 3/4"-16 Male JIC To O-Ring O-Ring
8	---	-	<a href="#">See "Solenoid Valve" on page P192</a>
9	GA3407	-	Pressure Relief Valve, 1000 PSI
10	GD12818 G11068	1 2	Terminal Strip Mount Phillips Flat Head Machine Screw, No. 10-24 x 5/8", Stainless Steel
11	GA9098 GD13310 G11065	1 2 2	Terminal Strip W/Screws, No. 6, 8 Terminal Jumper, 1/16" Phillips Pan Head Machine Screw, No. 8-32 x 5/8", Stainless Steel
12	G6408-H06-0 GR1045	2 -	Hex Socket Head Plug W/O-Ring, 1/16"-18 O-Ring
13	G6400-L-06 GR1045	2 -	Long Connector W/O-Ring, 1/16"-18 Male JIC To O-Ring O-Ring
A	GR0764	-	Seal Kit, Includes: (2) O-Rings, (1) BU Ring

(IP1256)



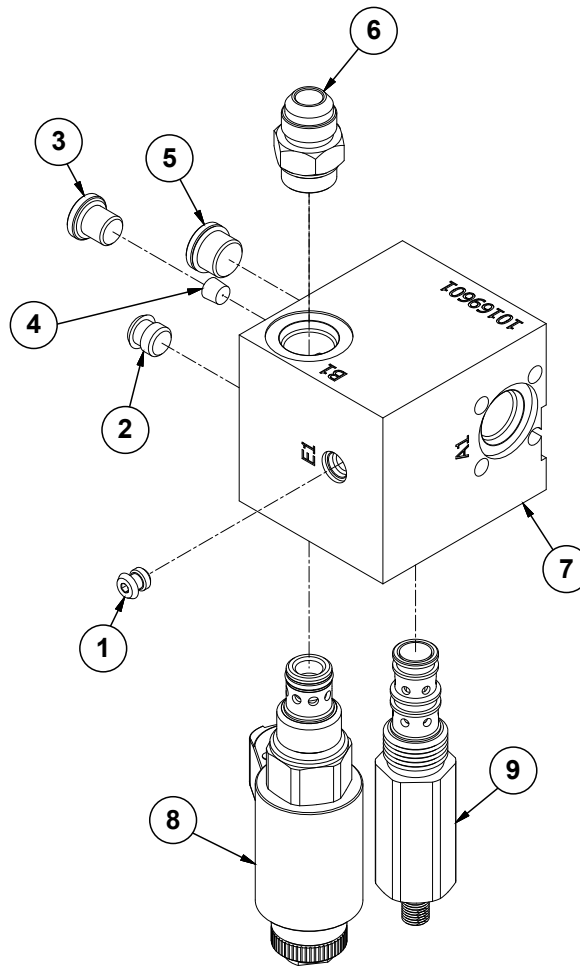
ITEM	PART NO.	QTY.	DESCRIPTION
1	GD20718	1	Wing Down Pressure Valve Block
2	G6400-10-08 GR1037	1 -	Connector W/O-Ring, 7/8"-14 Male JIC To 3/4"-16 O-Ring O-Ring
3	G6400-08 GR1037	1 -	Connector W/O-Ring, 3/4"-16 Male JIC To O-Ring O-Ring
4	GA14489 GR2043	1 -	Pressure Reducing Relief Valve Seal Kit
5	G6802-08 GR1037	4 -	Elbow W/O-Ring, 45°, 3/4"-16 Male JIC To O-Ring O-Ring
6	GD20719	1	Wing Down Pressure Bracket
7	GD4743	1	U-Bolt, 3" x 3" x 1/2"-13
8	G10229	2	Lock Washer, 3/8"
9	---	-	---
10	G10002	2	Hex Head Cap Screw, 3/8"-16 x 3/4"
11	G10071	2	Serrated Flange Nut, 1/2"-13

(103075)



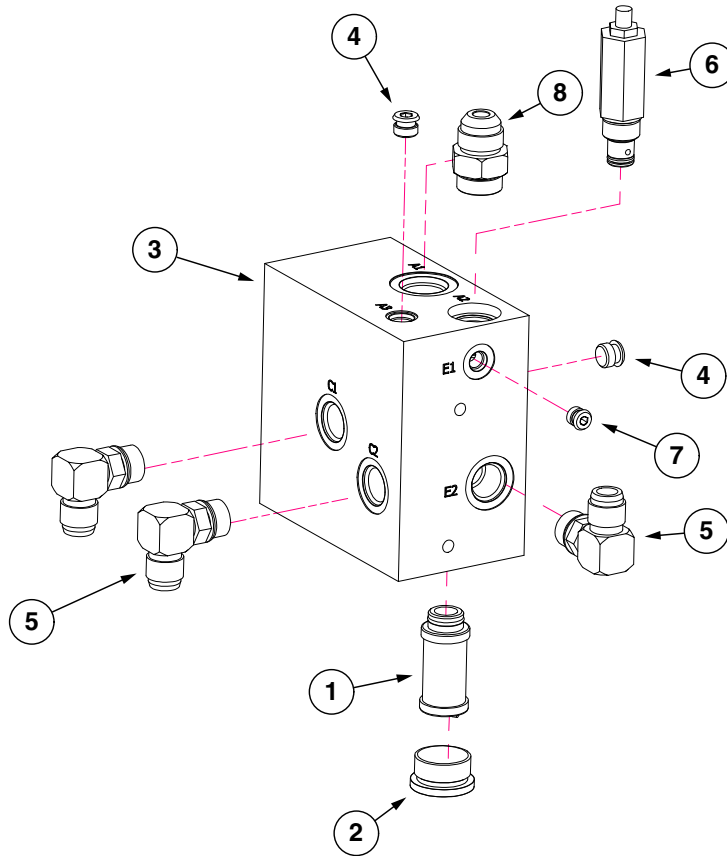
ITEM	PART NO.	QTY.	DESCRIPTION
1	GD20718	1	Wing Down Pressure Valve Block
2	G6400-10-08	1	Connector W/O-Ring, 7/8"-14 Male JIC To 3/4"-16 O-Ring
3	G6400-08	1	Connector W/O-Ring, 3/4"-16 Male JIC To O-Ring
4	G6802-08	4	Elbow W/O-Ring, 45°, 3/4"-16 Male JIC To O-Ring
5	G10269501	1	Valve with Coil
6	G6504-08-08-04	1	Gauge Port
7	G10568101	1	Pressure Sensor

(IP1712)



ITEM	PART NO.	QTY.	DESCRIPTION
1	GD29318	1	Plug
2	GD29321	1	Plug
3	G6408-H04-0	1	Hex Socket Head Plug, 7/16"-20
4	GD29324	1	Flow Restrictor Orifice, .020" Diameter
5	G6408-H06-O GR1045	1 -	Hex Socket Head Plug W/O-Ring, 9/16"-18 O-Ring
6	G6400-08 GR1037	1 -	Connector W/O-Ring, 3/4"-16 Male JIC To O-Ring O-Ring
7	G10169601	1	Fan Block Control
8	G10306201	1	Hydraulic Fan Block Coil
9	G10019401	1	Fan Control Cartridge

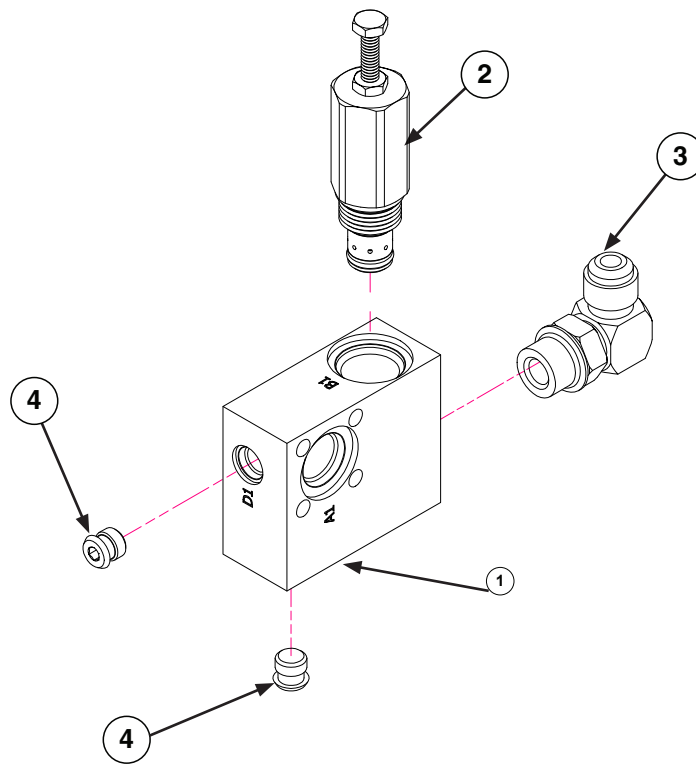
(101912)



ITEM	PART NO.	QTY.	DESCRIPTION
1	GR2312	1	Manifold Cartridge Filter
2	G6408-HHP-16	1	O-Ring Plug, 1-5/16"-12
3	G10191301	1	Hydraulic Block Manifold
4	GD29319	2	Zero Leak Plug
5	G6801-10	3	Elbow W/O-Ring, 90°, 7/8"-14 Male JIC To O-Ring
	GR1037	-	O-Ring
6	G10349401	1	Pressure Relief Valve
7	GD29321	1	Zero Leak Plug
8	G6400-12	1	Connector, W/O-Ring, 1 1/16"-12 Male JIC To O-Ring
	GR1467	-	O-Ring

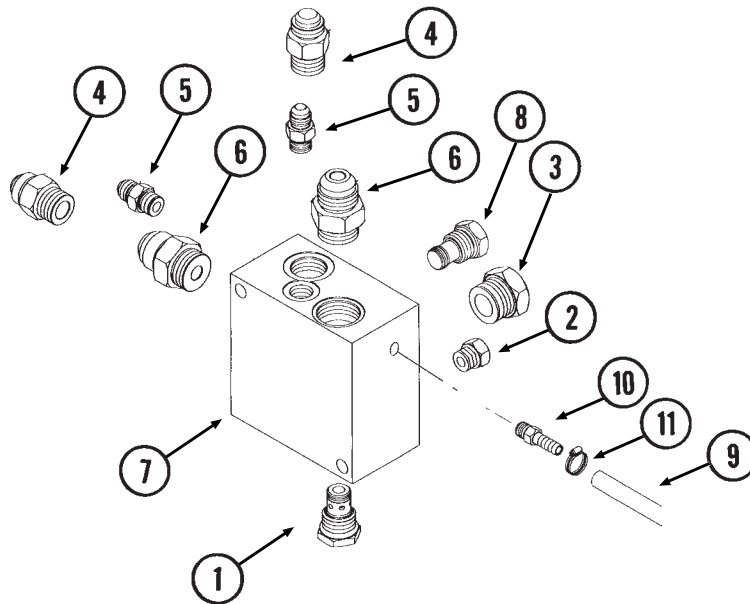


(101999)



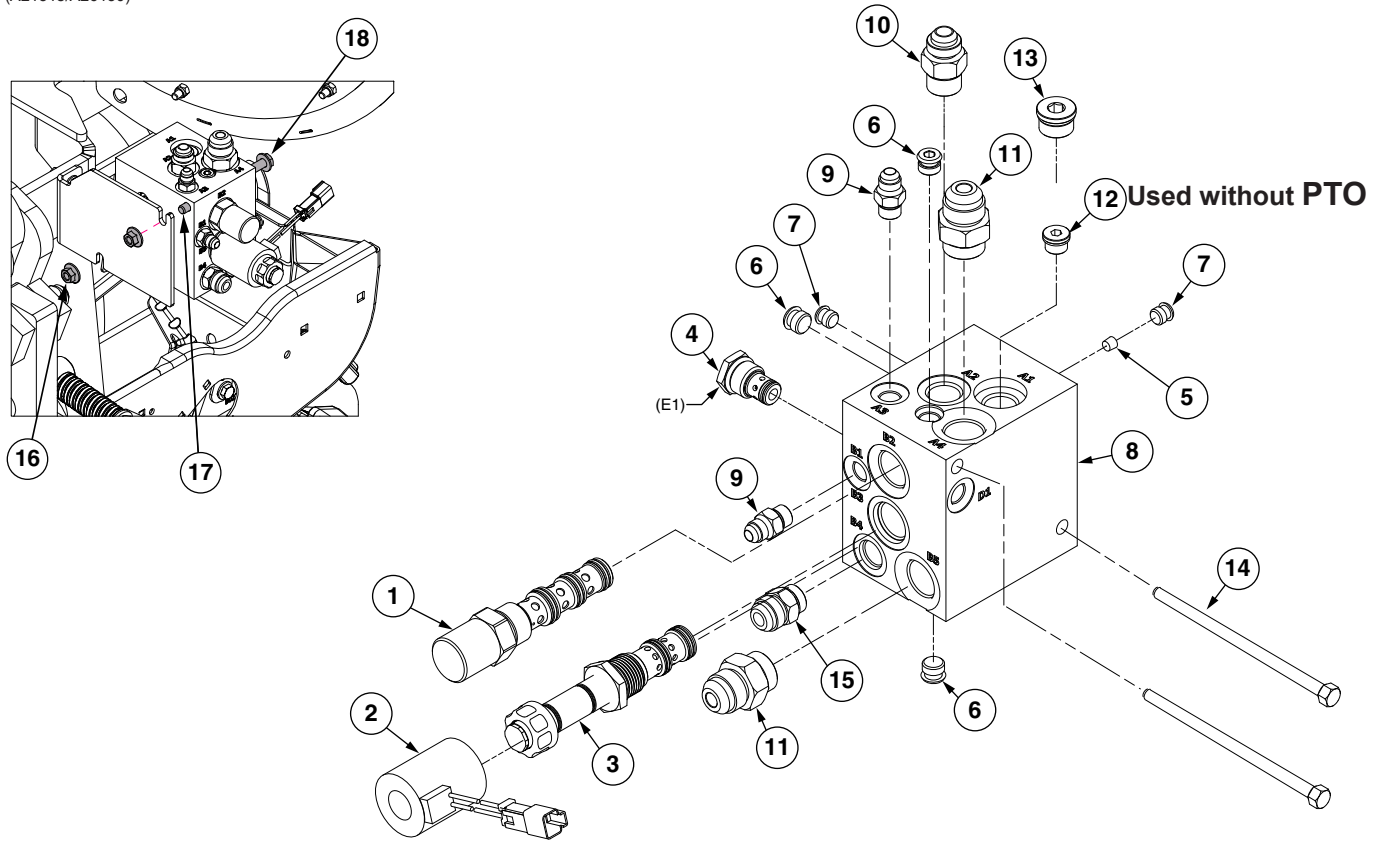
ITEM	PART NO.	QTY.	DESCRIPTION
1	G10169701	1	Manifold Hydraulic Block
2	G10053801	1	Adjustable Flow Control Valve
3	G6801-08	1	Elbow W/O-Ring, 90°, 3/4"-16 Male JIC To O-Ring
4	GD29321	1	Plug

(A11068d)



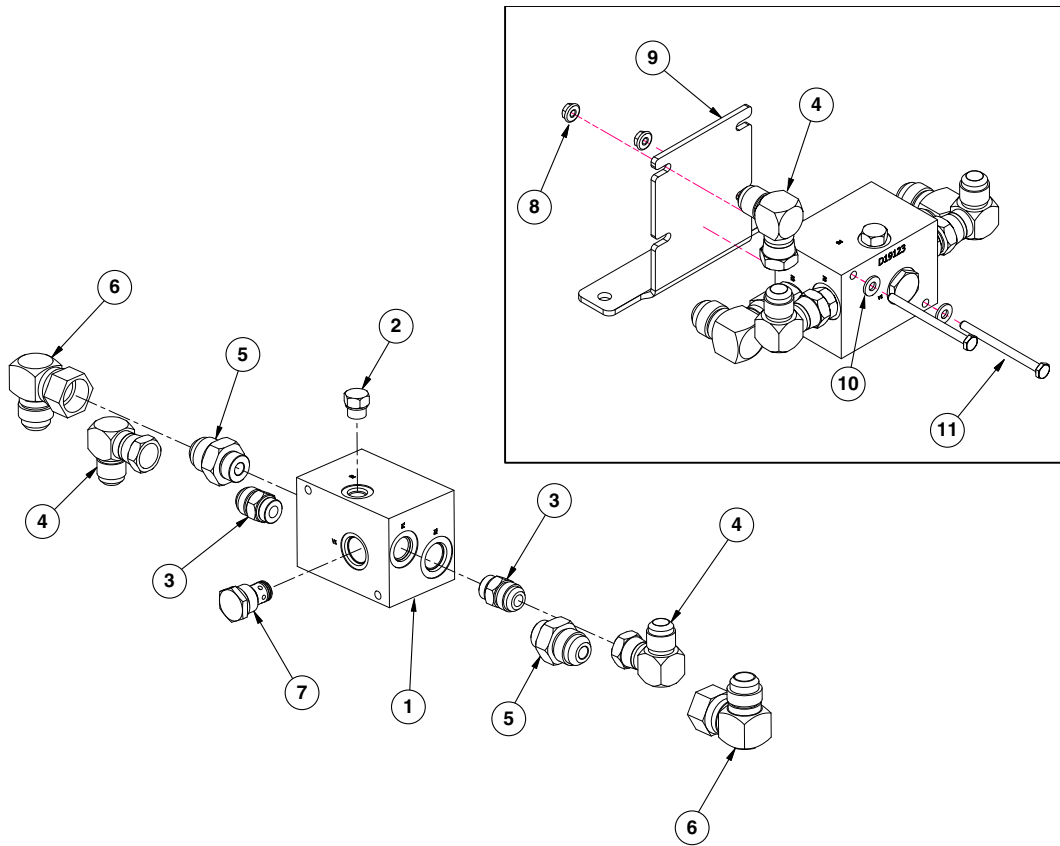
ITEM	PART NO.	QTY.	DESCRIPTION
1	GA4293 GR2041	1 -	Check Valve Seal Kit
2	G6408-06 GR1045	1 -	Plug W/O-Ring, 1/16"-18 O-Ring O-Ring
3	G6408-12 GR1467	1 -	Plug W/O-Ring, 1 1/16"-12 O-Ring O-Ring
4	G6400-10 GR1466	2 -	Connector W/O-Ring, 7/8"-14 Male JIC To O-Ring O-Ring
5	G6400-06 GR1045	2 -	Connector W/O-Ring, 9/16"-18 Male JIC To O-Ring O-Ring
6	G6400-12 GR1467	2 -	Connector W/O-Ring, 1 1/16"-12 Male JIC To O-Ring O-Ring
7	GD16188	1	Valve Block
8	GA11934	1	Relief Valve Cartridge
9	GD6279-05	1	Clear Plastic Tubing, 9/16" O.D. x 60"
10	GD11700	1	Adapter, 1/4" NPT To 3/8" Barb
11	G10681	1	Hose Clamp, No. 6

(A21318/A26130)



ITEM	PART NO.	QTY.	DESCRIPTION
1	GA20269	1	Pressure Compensator, 160 PSI
2	GA20272	1	Coil, 12VDC
3	GA20910	1	Flow Valve, 0-20 GPM
4	GA4293	1	Check Valve Cartridge
5	GD29315	1	Flow Restrictor Orifice, .015" Diameter
6	GD29319	3	Plug
7	GD29321	2	Plug
8	GD30570	1	Valve Block
9	G6400-06 GR1045	2 -	Connector W/O-Ring, 9/16"-18 Male JIC To O-Ring O-Ring
10	G6400-10 GR1466	1 -	Connector W/O-Ring, 7/8"-14 Male JIC To O-Ring O-Ring
11	G6400-12 GR1467	2 -	Connector, W/O-Ring, 1 1/16"-12 Male JIC To O-Ring O-Ring
12	G6408-H06-O GR1045	1 -	Hex Socket Head Plug W/O-Ring, 9/16"-18 O-Ring (W/O PTO) O-Ring
13	G6408-H10-0	1	Hex Socket Head Plug W/O-Ring, 7/8"-14 O-Ring
14	G10172 G11091 G11387	2 2 2	Hex Head Cap Screw, 3/8"-16 x 5" Serrated Flange Nut, 3/8"-16 Hardened Washer, 3/8" SAE
15	G6400-10-08 GR1037	1 -	Connector W/O-Ring, 7/8"-14 Male JIC To 3/4"-16 O-Ring O-Ring
16	G11091	2	Serrated Flange Nut, 3/8"-16
17	G10172	2	Hex Head Cap Screw, 3/8"-16 x 5"
18	G11387	2	Hardened Washer, 3/8" SAE

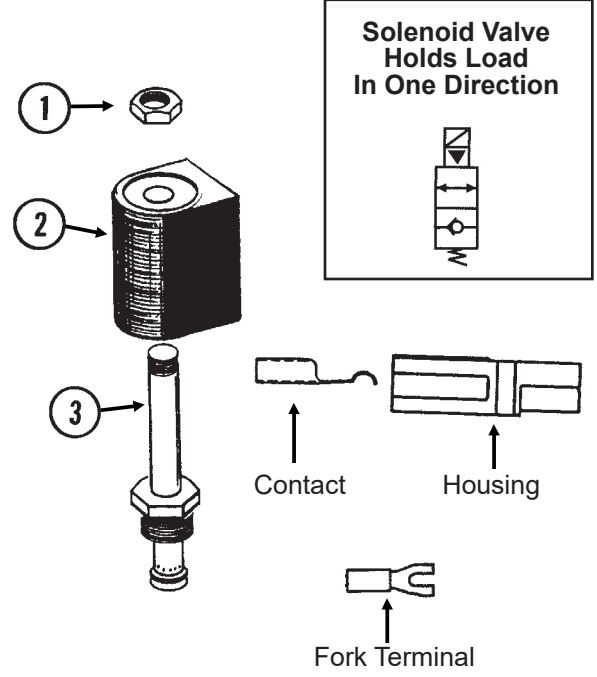
(IP1290/103493)



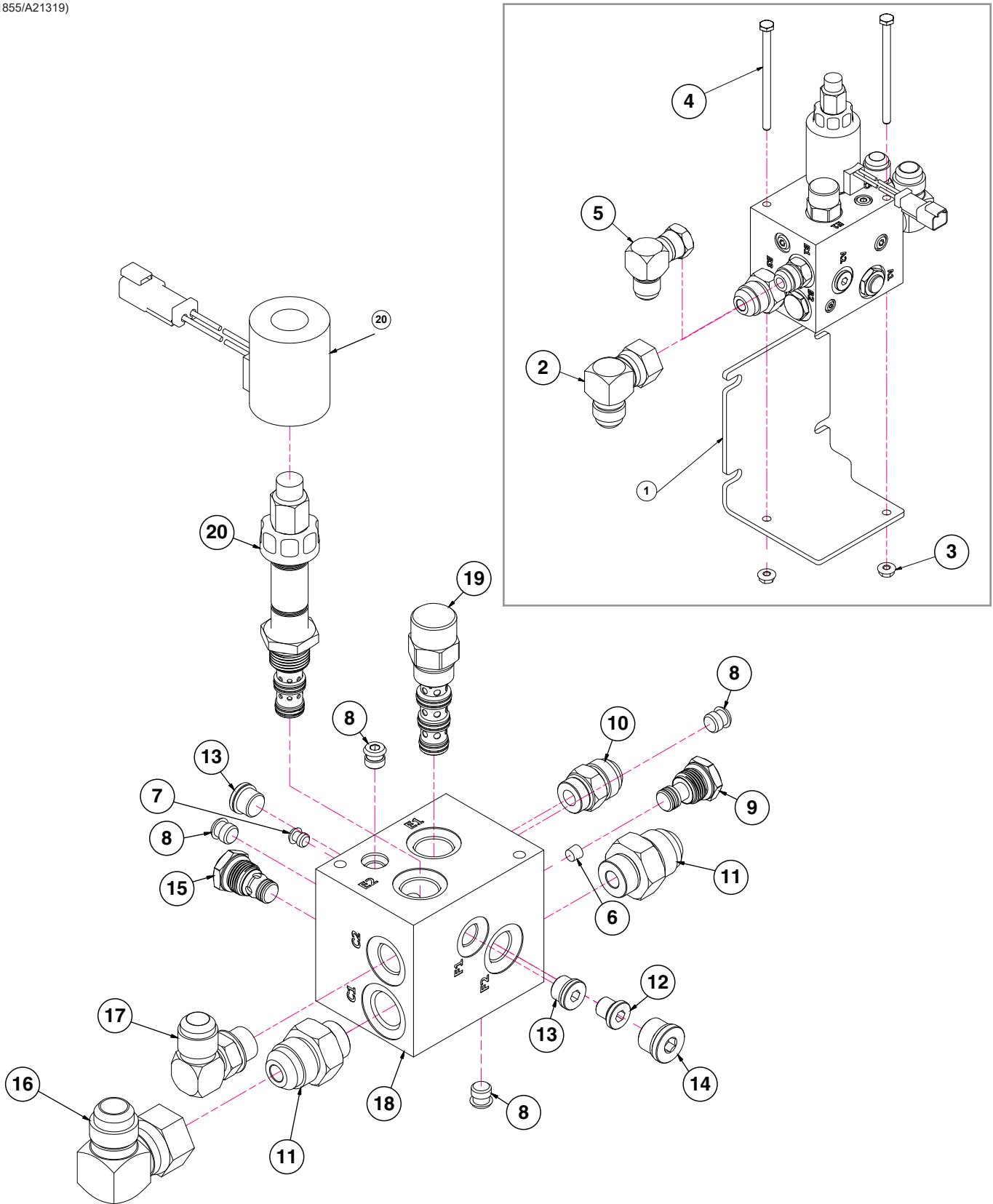
ITEM	PART NO.	QTY.	DESCRIPTION
1	GD19123	1	Bulk Fill Fan Block
2	G6408-06 GR1045	1 -	Plug W/O-Ring, 1/16"-18 O-Ring O-Ring
3	G6400-10-08 GR1037	2 -	Connector W/O-Ring, 7/8"-14 Male JIC To 1/4"-16 O-Ring O-Ring
4	G6500-10	3	Swivel Elbow, 90°, 7/8"-14 Male JIC To Female
5	G6400-12-10	2	Connector W/O-Ring, 1 1/16"-12 JIC To 7/8"-14 O-Ring
6	G6500-12	2	Swivel Elbow, 90°, 1 1/16"-12 Male JIC To Female
7	GA4293 GR2041	1 -	Check Valve Seal Kit
8	G10621	2	Serrated Flange Nut, 1/4"-20
9	G10190001	1	Bulk Fill Hydraulic Block Mount
10	G11385	2	Flat Washer, 1/4" SAE
11	G10162	2	Hex Head Cap Screw, 1/4"-20 x 3 1/4"

VVB019(TWL27c/TWL18/PLTR75c/A9481)

ITEM	PART NO.	QTY.	DESCRIPTION
1	GR0761	1	Special Hex Nut, 1/2"-20
2	G1K274	1	Coil Kit W/Contacts, Housings And Fork Terminals
	GD9529-	2	Housing, Black (Included W/G1K274)
	GD9530-	2	Contact (Included W/G1K274)
	G10996-	2	Fork Terminal (Included W/G1K274)
3	GR0763	1	Cartridge
A	G1K275	-	Solenoid Valve Kit W/Solenoid Valve, Contacts, Housings And Fork Terminals
	GD9529	2	Housing, Black (Included W/G1K275)
	GD9530	2	Contact (Included W/G1K275)
	G10996	2	Fork Terminal (Included W/G1K275)
B	GR0764	-	Seal Kit, Includes: (2) O-Rings, (1) BU Ring

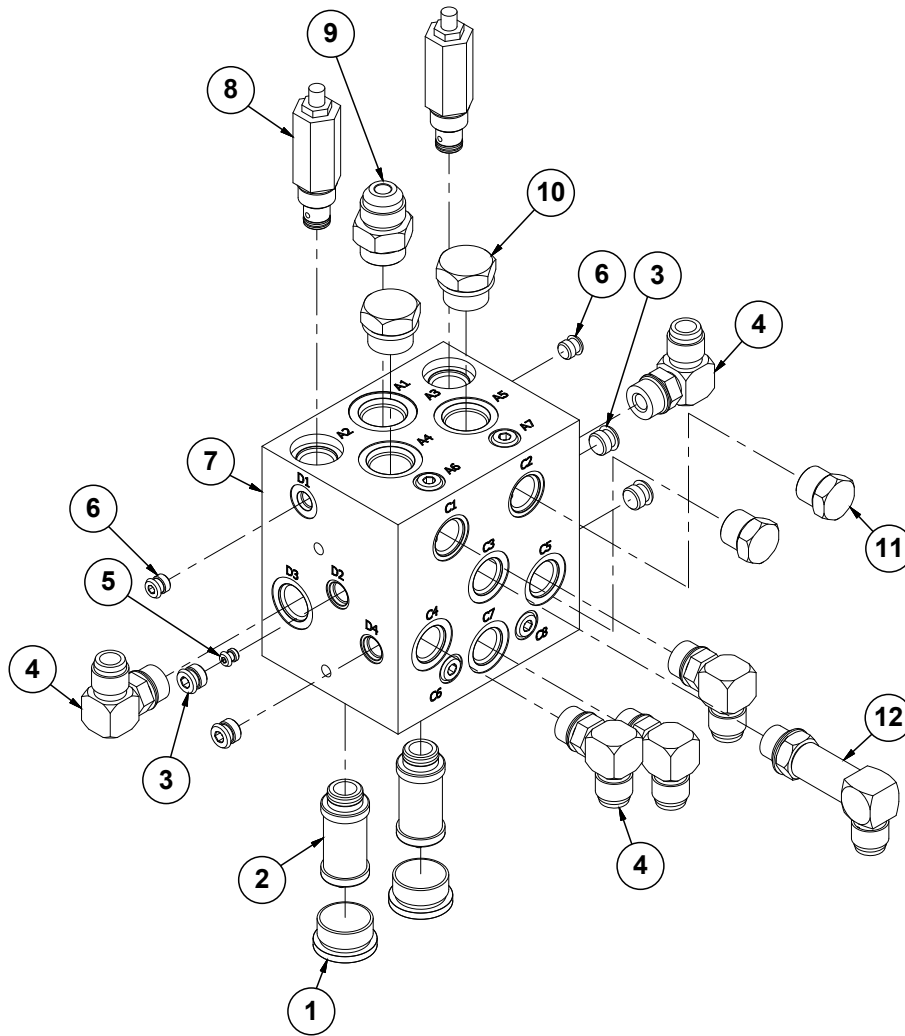


(101855/A21319)



ITEM	PART NO.	QTY.	DESCRIPTION
1	G10075801	1	Hydraulic Block Mount, Blue Drive
2	G6500-12	1	Swivel Elbow, 90°, 1 1/16"-12 Male JIC To Female
3	G10621	2	Serrated Flange Nut, 1/4"-20
4	G10943	2	Hex Head Cap Screw, 1/4"-20 x 4"
5	G6500-10	1	Swivel Elbow, 90°, 7/8"-14 Male JIC To Female
6	GD29315	1	Flow Restrictor Orifice, .015" Diameter
7	GD29318	1	Plug
8	GD29321	4	Plug
9	GD35422	1	Cavity Plug
10	G6400-10-08	1	Connector W/O-Ring, 7/8"-14 Male JIC To 3/4"-16 O-Ring
11	G6400-12-10	2	Connector W/O-Ring, 1-1/16"-12 JIC To 7/8"-14 O-Ring
12	G6408-H04-0	1	Hex Socket Head O-Ring Plug, 7/16"-20
13	G6408-H06-0	2	Hex Socket Head O-Ring Plug, 9/16"-18
14	G6408-H08-0	1	Hex Socket Head O-Ring Plug, 3/4"-16
15	GA21067	1	Check Valve, No. 8
16	G6500-12	1	Swivel Elbow, 90°, 1 1/16"-12 Male JIC To Female
17	G6801-10-08	1	Elbow W/O-Ring, 90°, 7/8"-14 Male JIC To 3/4"-16 O-Ring
18	GD30571	1	Bulk Fill Fan Valve Block
19	GA20270	1	Pressure Compensator, 150 PSI
20	GA20271	1	Proportional Flow Control, 0-8 GPM
21	GA20272	1	Coil, 12V DC

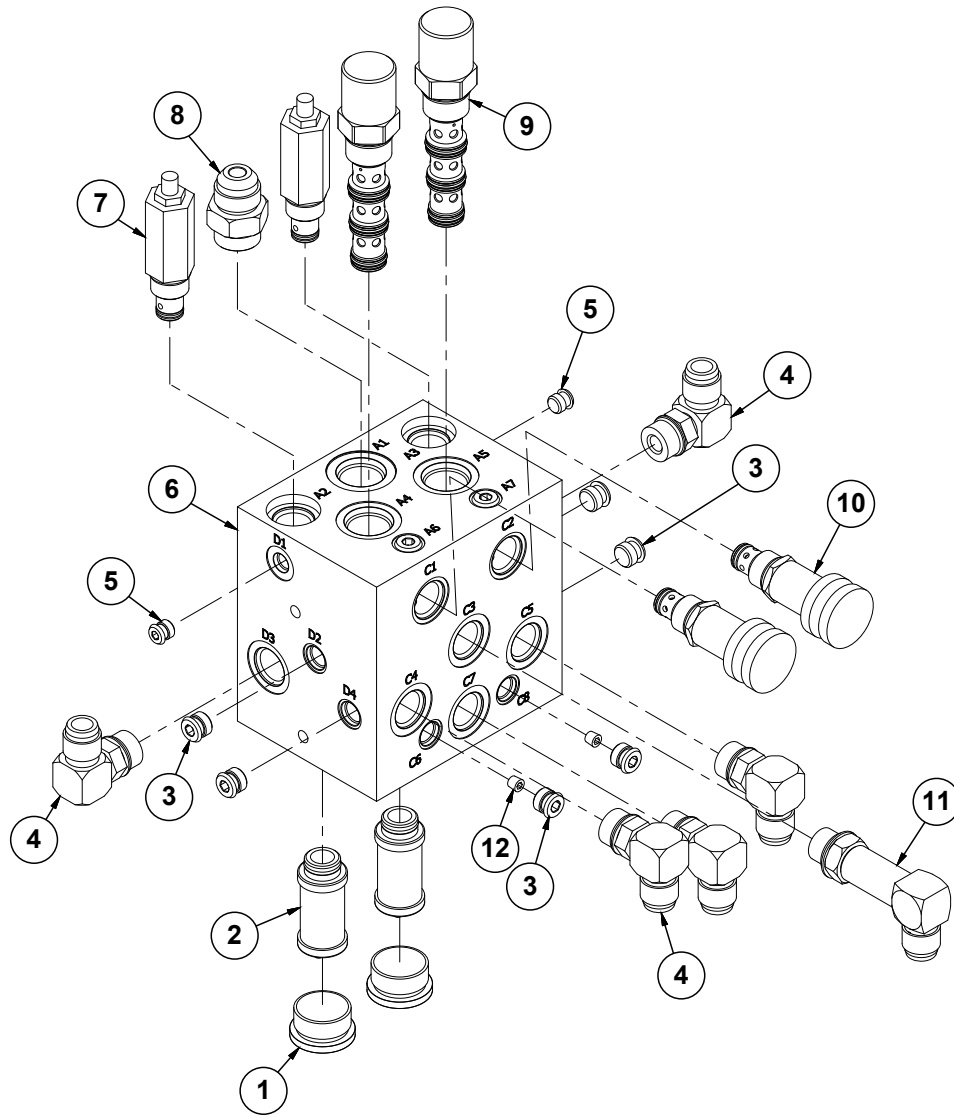
(IP1659/101869)



ITEM	PART NO.	QTY.	DESCRIPTION
1	G6408-HHP-16	2	Hex Plug W/O-Ring, 1 <sup>5</sup> / <sub>16</sub> "-12
2	GR2312	2	Cartridge Filter Manifold
3	GD29319	12	Plug
4	G6801-10 GR1466	5	Elbow W/O-Ring, 90°, 7/8"-14 Male JIC To O-Ring O-Ring
5	GD29318	2	Plug
6	GD29321	2	Plug
7	G10170701	1	Manifold Block
8	GA27144	2	Pressure Relief Valve, 4000 PSI
9	G6400-12 GR1467	1	Connector, W/O-Ring, 1 <sup>1</sup> / <sub>16</sub> "-12 Male JIC To O-Ring O-Ring
10	G6408-12	2	Plug W/O-Ring, 1 <sup>1</sup> / <sub>16</sub> "-12 O-Ring
11	G6408-10 GR1466	2	Plug W/O-Ring, 7/8"-14 O-Ring O-Ring
12	G6801-LL-10 GR1466	1	X-Long Elbow W/O-Ring, 90°, 7/8"-14 Male JIC To O-Ring O-Ring

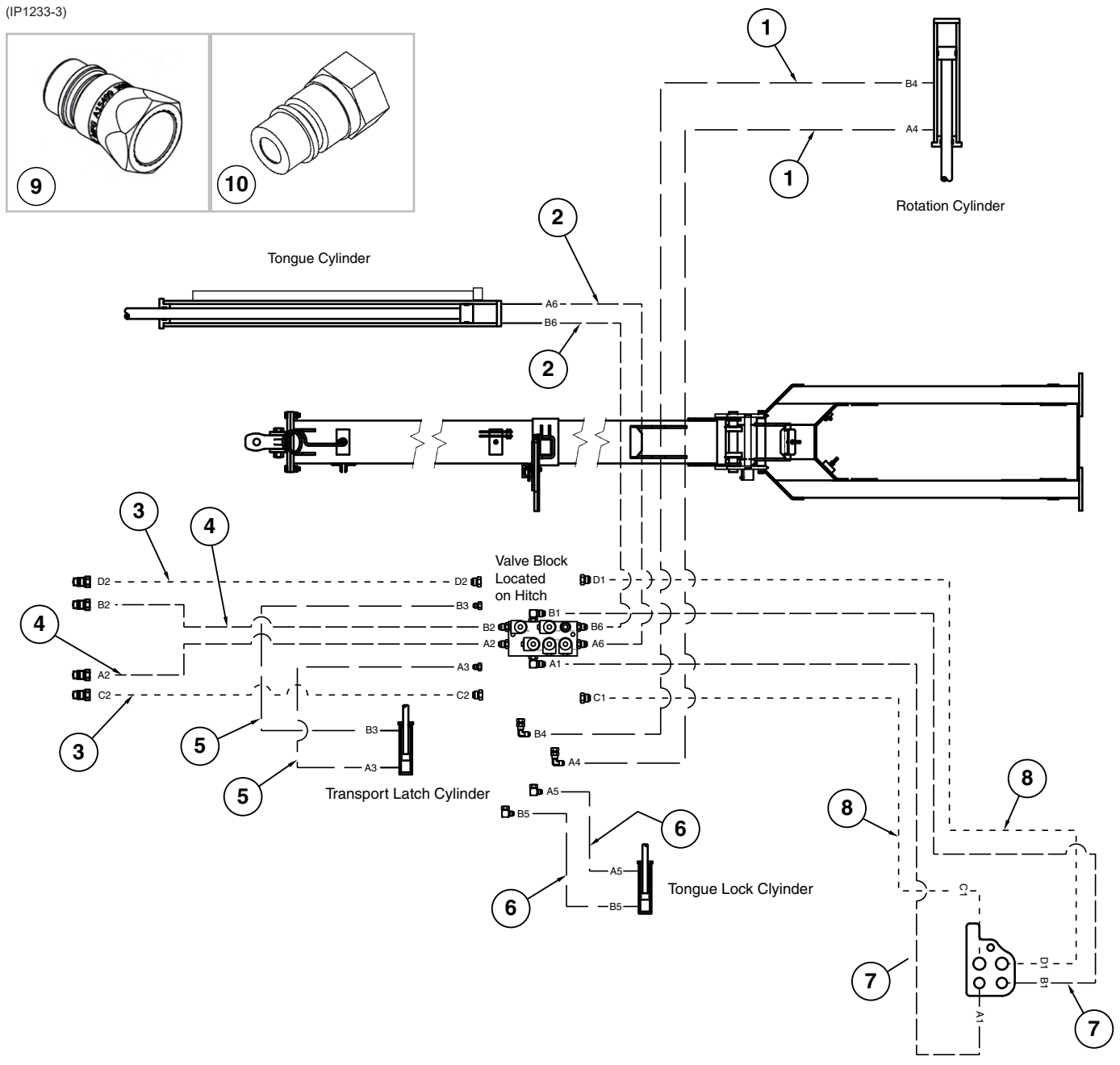


(IP1660/101708)



ITEM	PART NO.	QTY.	DESCRIPTION
1	G6408-HHP-16	2	Hex Plug W/O-Ring, 1 <sup>5</sup> / <sub>16</sub> "-12
2	GR2312	2	Cartridge Filter Manifold
3	GD29319	12	Plug
4	G6801-10 GR1466	5	Elbow W/O-Ring, 90°, 7/8"-14 Male JIC To O-Ring
5	GD29321	2	Plug
6	G10170701	1	Manifold Block
7	GA27144	2	Pressure Relief Valve, 4000 PSI
8	G6400-12 GR1467	1	Connector, W/O-Ring, 1 <sup>1</sup> / <sub>16</sub> "-12 Male JIC To O-Ring
9	GA20269	2	Pressure Compensator, 160 PSI
10	G10123401	2	Adjustable Flow Control Valve
11	G6801-LL-10 GR1466	1	X-Long Elbow W/O-Ring, 90°, 7/8"-14 Male JIC To O-Ring
12	GD29315	2	Flow Restrictor Orifice, .015" Diameter

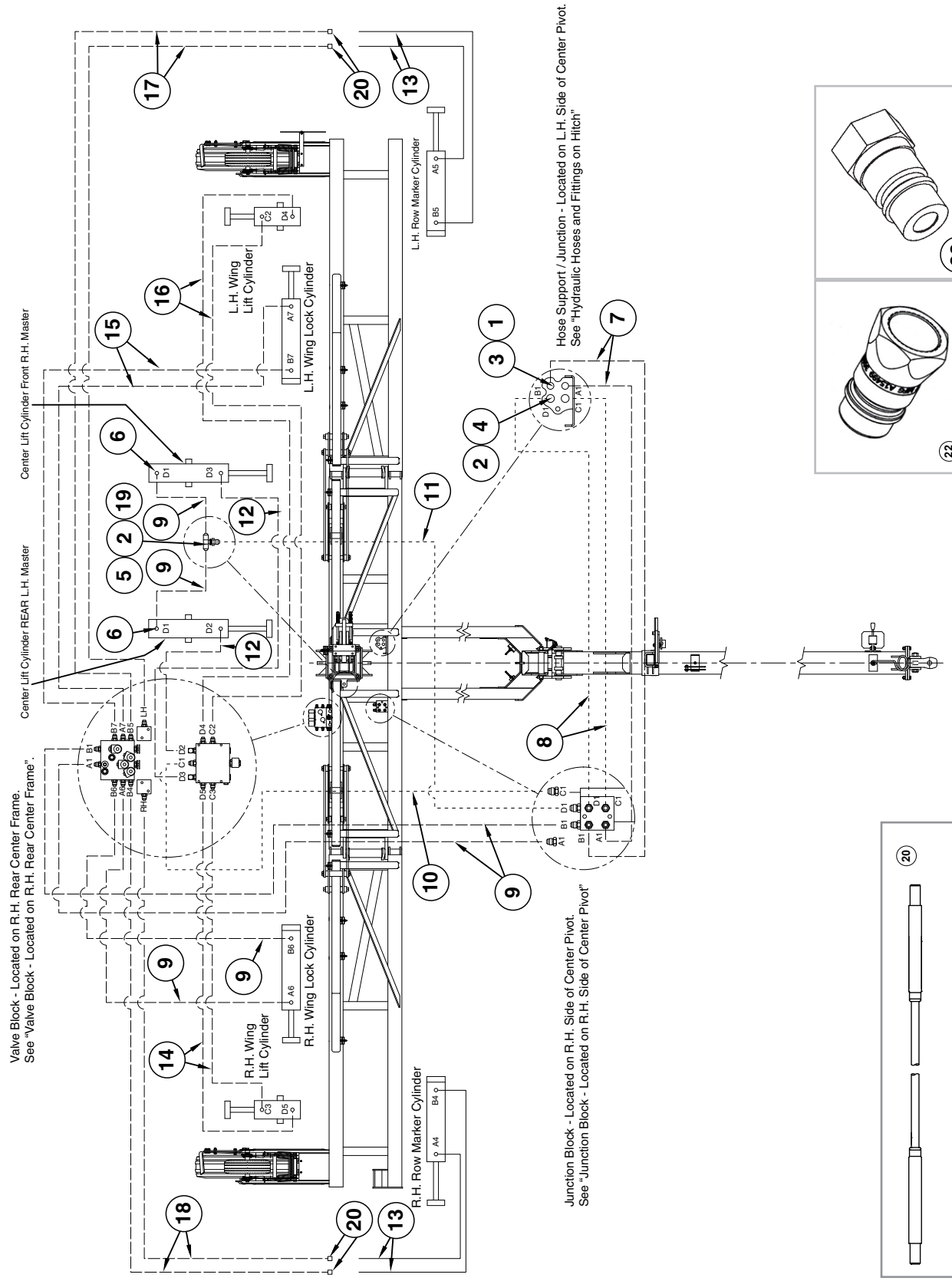
(IP1233-3)



ITEM	PART NO.	QTY.	DESCRIPTION
1	*A1116	2	Hose Assembly, 1/4" x 136" (06F-06F)
2	*A1053	2	Hose Assembly, 3/8" x 72" (08F-08F)
3	*A18693-198	2	Hose Assembly W/Tip, 1/2" x 198" (1/2"M NPTF - 10F), 12 Row
	*A18693-250	2	Hose Assembly W/Tip, 1/2" x 250" (1/2"M NPTF-10F), 16 Row
4	*A26936-198	2	Hose Assembly W/Tip, 3/8" X 198" (1/2"M NPTF - 08F), 12 Row
	*A26936-250	2	Hose Assembly W/Tip, 3/8" x 250" (1/2"M NPTF - 08F), 16 Row
5	*A1171	2	Hose Assembly, 1/4" x 108" (06F-06F), 12 Row
	*A1110	2	Hose Assembly, 1/4" x 150" (06F-06F), 16 Row
6	*A1139	2	Hose Assembly, 1/4" x 40" (06F-06F)
7	*A1041	2	Hose Assembly, 3/8" x 130" (08F-08F)
8	*A1478	2	Hose Assembly, 1/2" x 128" (10F-10F)
9	GA15499	-	Special Pioneer Coupler, Zero Pressure Return
	GD25522	-	Hydraulic Tip Cover
10	GD4086	-	ISO Coupler

\*Hydraulic hose is not stocked by Kinze Repair Parts.

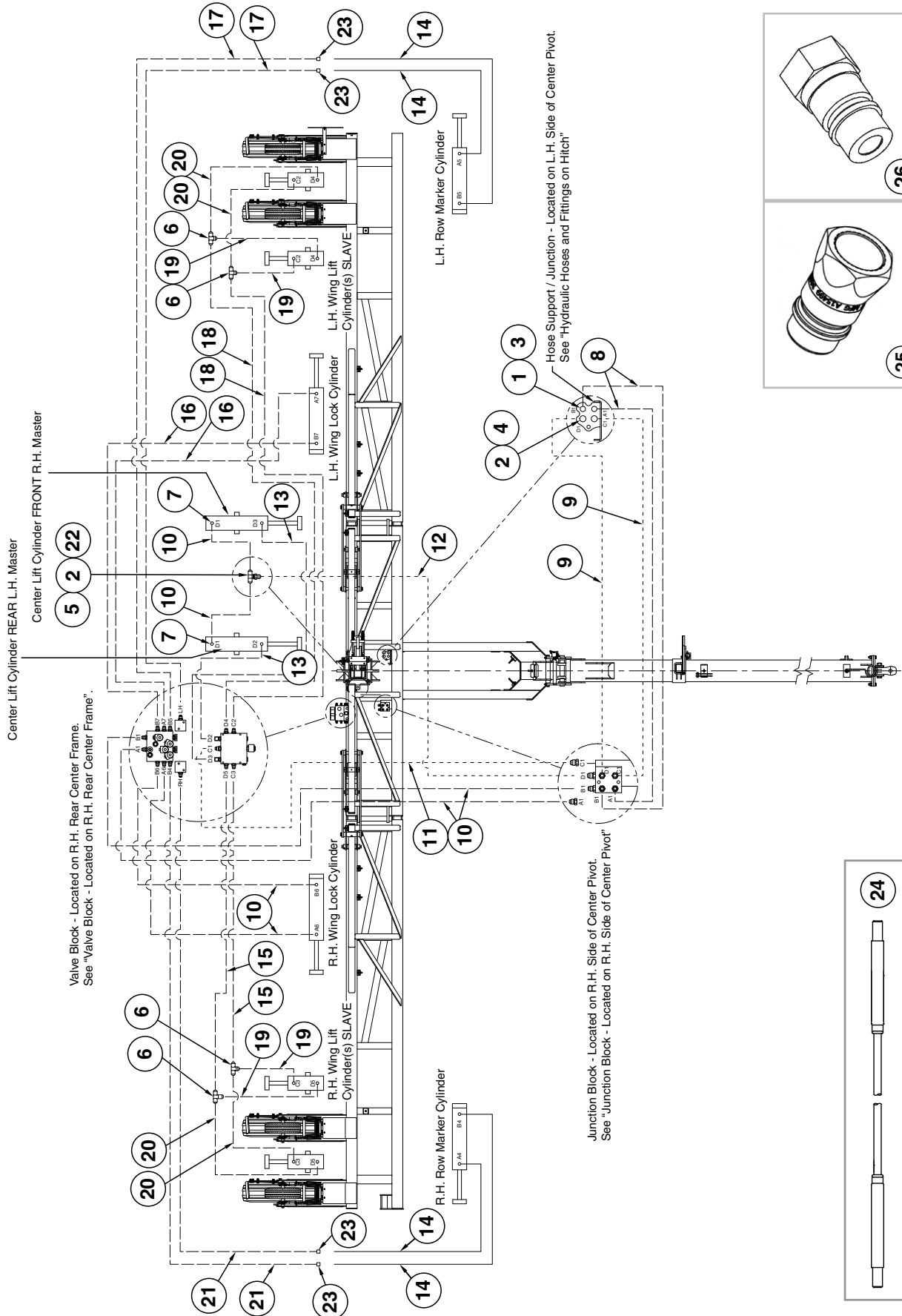
(IP1317)



ITEM	PART NO.	QTY.	DESCRIPTION
1	G306-08	2	Lock Nut, 3/4"-16
2	G306-10	3	Lock Nut, 7/8"-14
3	G2700-08	2	Bulkhead Tube Union, 3/4"-16 Male JIC
4	G2700-10	2	Bulkhead Tube Union, 7/8"-14 Male JIC
5	G2703-08-08-10	1	Bulkhead Tee, 7/8"-14 Male JIC To 3/4"-16 JIC
6	G6400-08 GR1037	4 -	Connector W/O-Ring, 3/4"-16 Male JIC To O-Ring O-Ring
7	*A12090	2	Hose Assembly, 3/8" x 63" (08F-08F)
8	*A8267	2	Hose Assembly, 1/2" x 58" (10F-10F)
9	*A1076	6	Hose Assembly, 3/8" x 30" (08F-08F)
10	*A1424	1	Hose Assembly, 1/2" x 30" (10F-10F)
11	*A1404	1	Hose Assembly, 1/2" x 41" (10F-10F)
12	*A3131	2	Hose Assembly, 3/8" x 42" (08F-08F)
13	*A3158	4	Hose Assembly, 3/8" x 46" (08F-08F)
14	*A1028	2	Hose Assembly, 3/8" x 186" (08F-08F)
15	*A1055	2	Hose Assembly, 3/8" x 66" (08F-08F)
16	*A1089	2	Hose Assembly, 3/8" x 240" (08F-08F)
17	*A1057	2	Hose Assembly, 3/8" x 216" (08F-08F)
18	*A3117	2	Hose Assembly, 3/8" x 176" (08F-08F)
19	G10235	1	Machine Bushing, 7/8", 14 Gauge
20	G2408-08	4	Plug, 3/4"-16
21	GA6608	-	Cable Assembly
22	GA15499 GD25522	- -	Special Pioneer Coupler, Zero Pressure Return Hydraulic Tip Cover
23	GD4086	-	ISO Coupler

\* Hydraulic hose is not stocked by Kinze Repair Parts.

(IP1233-4)



16 Row

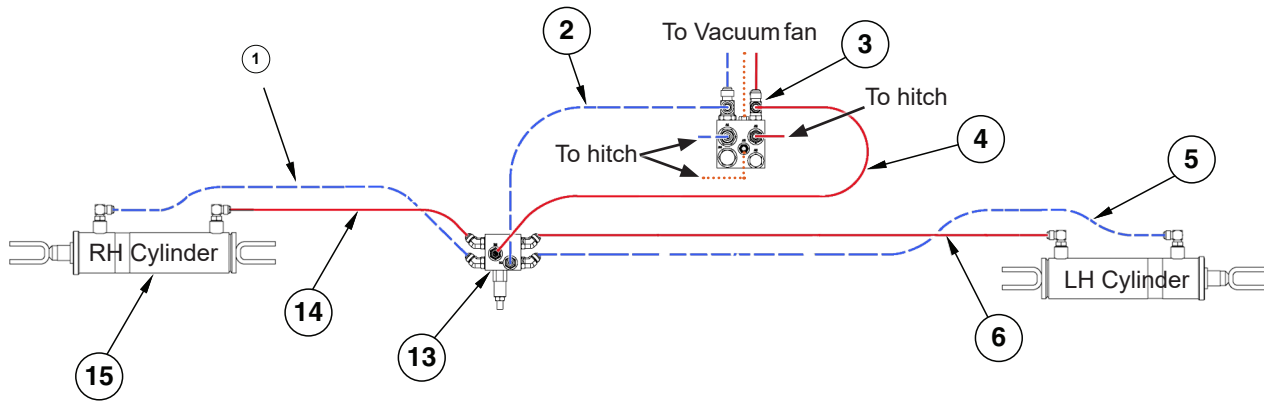
P201



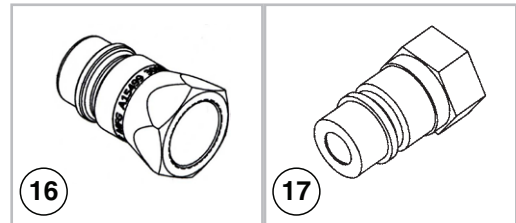
07/20

ITEM	PART NO.	QTY.	DESCRIPTION
1	G306-08	2	Lock Nut, 3/4"-16
2	G306-10	3	Lock Nut, 7/8"-14
3	G2700-08	2	Bulkhead Tube Union, 3/4"-16 Male JIC
4	G2700-10	2	Bulkhead Tube Union, 7/8"-14 Male JIC
5	G2703-08-08-10	1	Bulkhead Tee, 7/8"-14 Male JIC To 3/4"-16 JIC
6	G2603-08	4	Tee, 3/4"-16 Male JIC
7	G6400-08 GR1037	4	Connector W/O-Ring, 3/4"-16 Male JIC To O-Ring
8	*A3127	2	Hose Assembly, 3/8" x 58"
9	*A8267	2	Hose Assembly, 1/2" x 58"
10	*A1076	6	Hose Assembly, 3/8" x 30"
11	*A1424	1	Hose Assembly, 1/2" x 30"
12	*A1404	1	Hose Assembly, 1/2" x 41"
13	*A3131	1	Hose Assembly, 3/8" x 42"
14	*A3158	4	Hose Assembly, 3/8" x 46"
15	*A3111	2	Hose Assembly, 3/8" x 200"
16	*A1055	2	Hose Assembly, 3/8" x 66"
17	*A1034	2	Hose Assembly, 3/8" x 272"
18	*A3139	2	Hose Assembly, 3/8" x 254"
19	*A3122	4	Hose Assembly, 3/8" x 10 1/2"
20	*A1018	4	Hose Assembly, 3/8" x 40"
21	*A12042	1	Hose Assembly, 3/8" x 228"
22	G10235	1	Machine Bushing, 7/8", 14 Gauge
23	G2408-08	4	Plug, 3/4"-16
24	GA6608	-	Cable Guide
25	GA15499 GD25522	-	Special Pioneer Coupler, Zero Pressure Return Hydraulic Tip Cover
26	GD4086	-	ISO Coupler

\* Hydraulic hose is not stocked by Kinze Repair Parts.



Line Reference  
 Dashed - Return  
 Solid - Pressure  
 Dotted - Case Drain



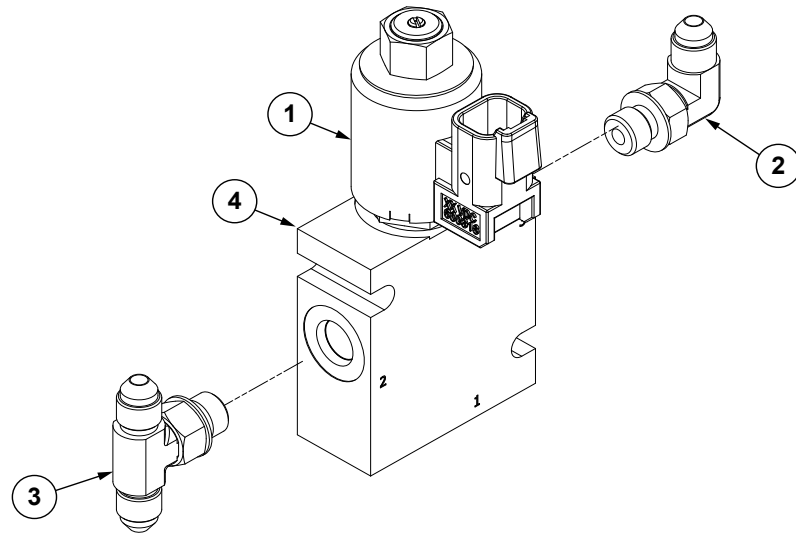
ITEM	PART NO.	QTY.	DESCRIPTION
1	*A1021	1	Hose Assembly, 3/8" x 56"
2	*A12752	1	Hose Assembly, 1/2" x 23"
3	---	-	<a href="#">See "Junction/Valve Blocks - Located on R.H. Rear Center Frame" on page P179</a>
4	*A12085	1	Hose Assembly, 3/8" x 26"
5	*A12076	1	Hose Assembly, 3/8" x 165"
6	*A3117	1	Hose Assembly, 3/8" x 176"
13	---	-	<a href="#">See "Wing Down Pressure Valve Block" on page P184</a>
14	*A3158	1	Hose Assembly, 3/8" x 46"
15	---	-	<a href="#">See "Wing Down Pressure Cylinder" on page P177</a>
16	GA15499 GD25522	- -	Special Pioneer Coupler, Zero Pressure Return Hydraulic Tip Cover
17	GD4086	-	ISO Coupler

\* Hydraulic hose is not stocked by Kinze Repair Parts.



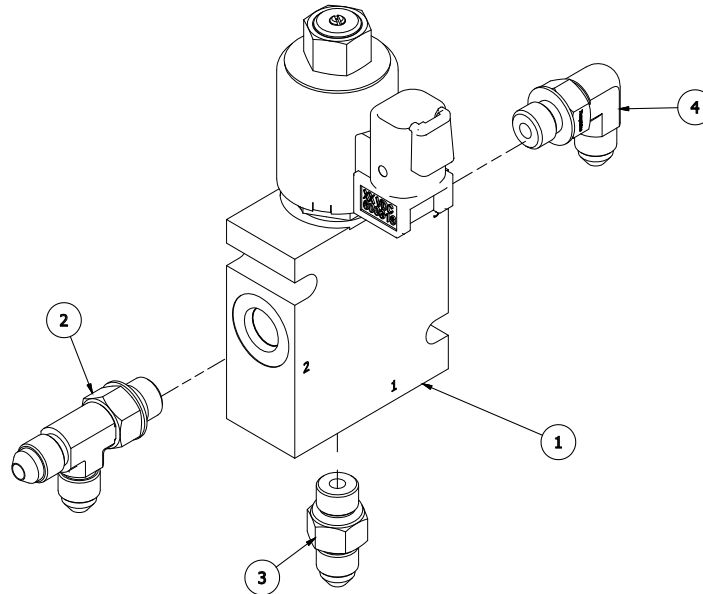
(A25264)

**Pull Row Units**



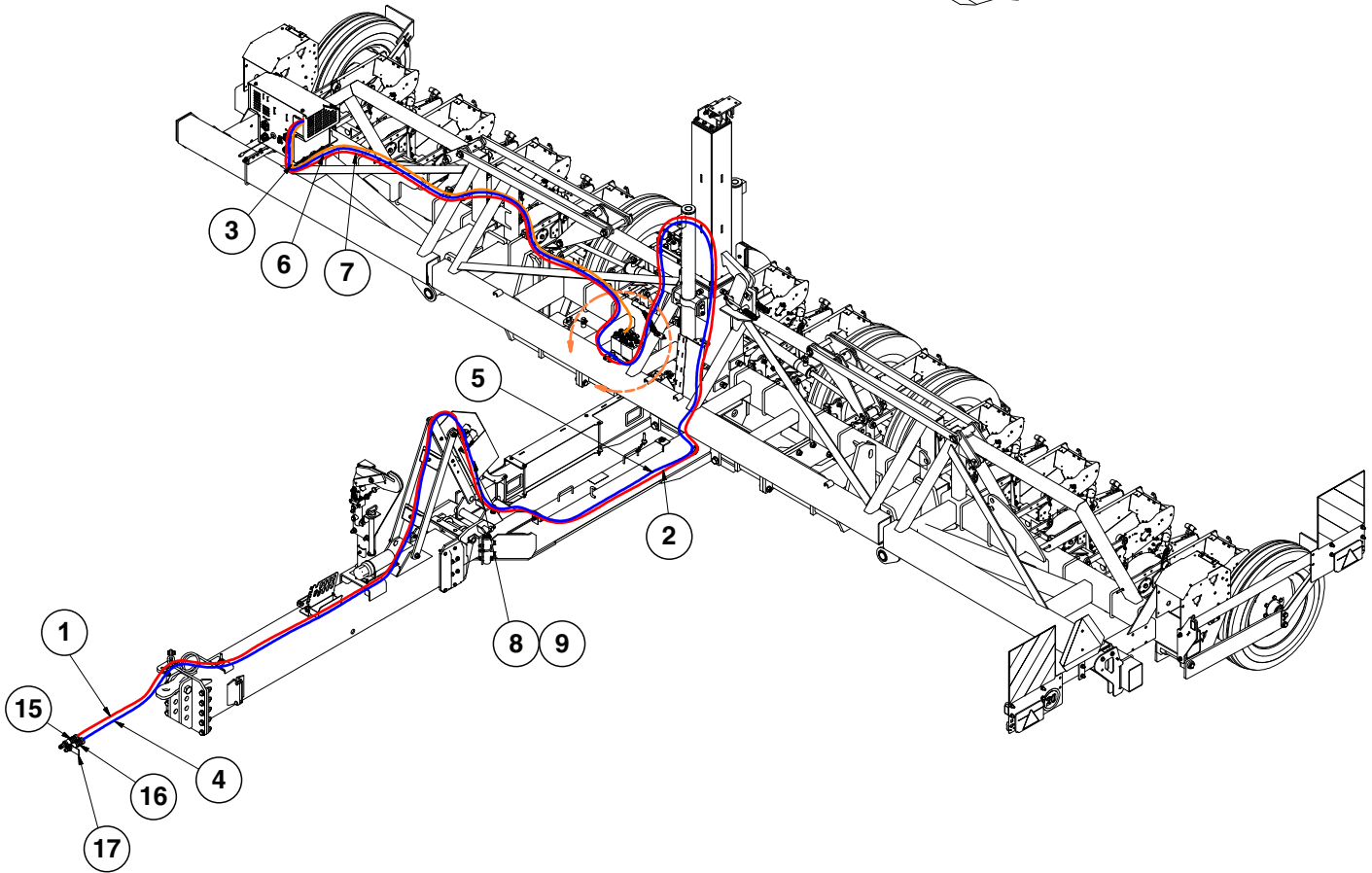
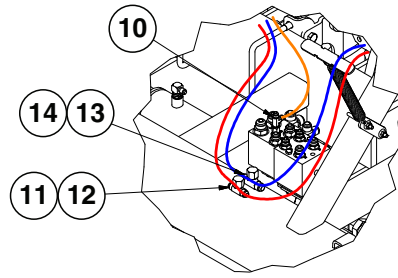
ITEM	PART NO.	QTY.	DESCRIPTION
1	GA25286 GR2287 GR0761	1 1 1	Manual Override Cartridge Assembly Solenoid Cartridge (Included W/GA25286) Special Hex Nut, 1/2"-20 (Included W/GA25286)
2	G6801-04-04	1	90° Adjustable Elbow, 7/16"-20
3	G6803-04-04-04	1	Adjustable Tee, 7/16"-20
4	GD35271	1	Row Unit Control Block

**Push Row Units**



ITEM	PART NO.	QTY.	DESCRIPTION
1	GA25286 GR2287 GR0761 GD35271	1 1 1 1	Manual Override Cartridge Assembly Solenoid Cartridge (Included W/GA25286) Special Hex Nut, 1/2"-20 (Included W/GA25286) Row Unit Control Block
2	G6803-04-04-04	1	Adjustable Tee, 7/16"-20
3	G6400-04	1	Connector W/O-Ring, 7/16"-20 Male JIC To O-Ring
4	G6801-04-04	1	90° Adjustable Elbow, 7/16"-20

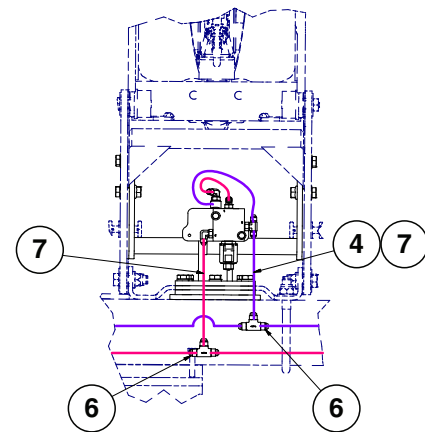
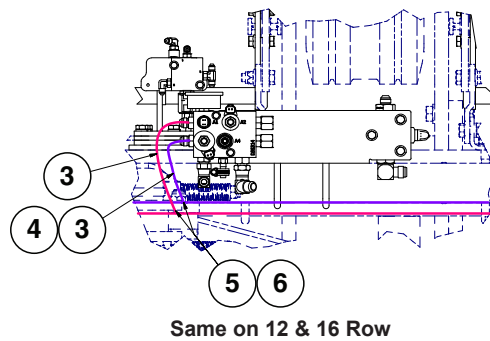
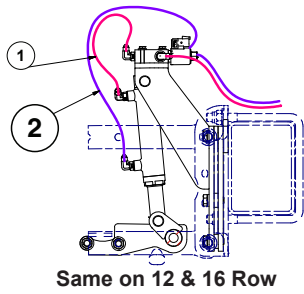
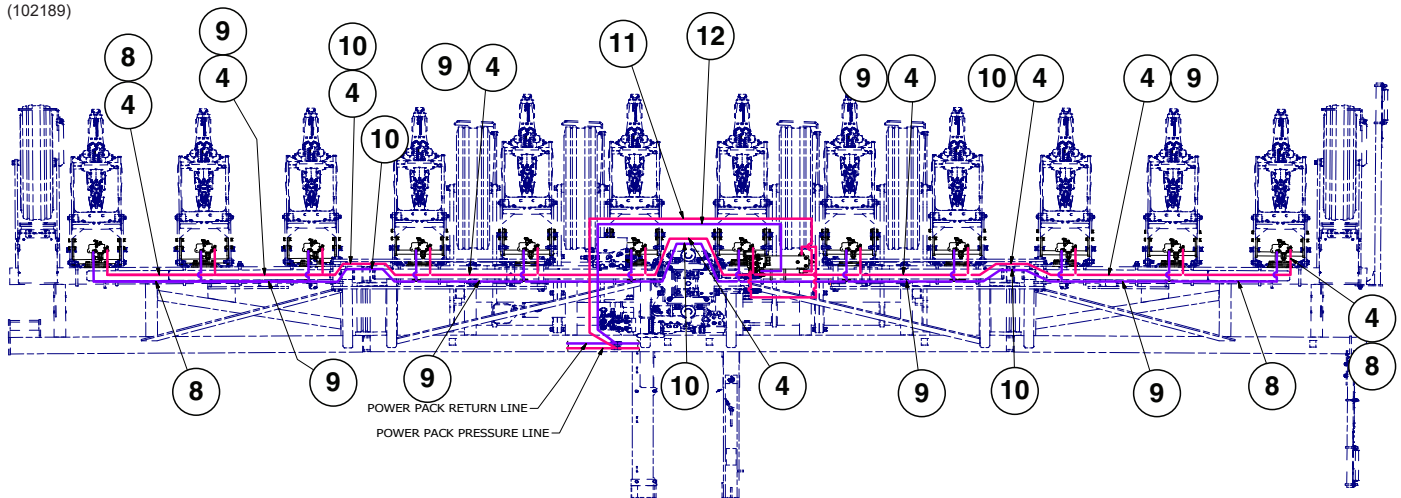
(100756)



ITEM	PART NO.	QTY.	DESCRIPTION
1	*A18693-250	1	Hose Assembly, 1/2" x 250" (10F - 1/2M NPTF), W/Extension, W/Tip, 16 Row
	*A18693-237	1	Hose Assembly, 1/2" x 237" (10F - 1/2M NPTF), W/Extension, W/Tip, 12 Row
2	*A12747	1	Hose Assembly, 1/2" x 196"
3	*A18667-244	1	Hose Assembly, 1/2" x 244" (08F-08F), 16 Row
	*A18867-180	1	Hose Assembly, 1/2" x 180" (08F-08F), 12 Row
4	*A21548-250	1	Hose Assembly, 5/8" x 250" (12F - 1/2 Male NPTF), W/Extension, W/Tip, 16 Row
	*A21548-237	1	Hose Assembly, 5/8" x 237" (12F - 1/2 Male NPTF), W/Extension, W/Tip, 12 Row
5	*A25487-196	1	Hose Assembly, 5/8" x 196" (10F - 12F)
6	*A11440	1	Hose Assembly, 5/8" x 244" (10F-10F), 16 Row
	*A21530-180	1	Hose Assembly, 5/8" x 180" (10F-10F), 12 Row
7	*A12097	1	Hose Assembly, 3/8" x 246" (06F - 06F), 16 Row
	*A15081-180	1	Hose Assembly, 3/8" x 180" (06F-06F), 12 Row
8	G2403-10	1	Union, 7/8"-14 Male JIC
9	G2403-12	1	Union male 1-1/6-12 JIC X 7/8-14 JIC
10	G6602-06	1	Swivel Tee, 9/16"-18 JIC
11	G2603-08	1	Tee, 3/4"-16 Male JIC
12	G304-C-8	1	Cap Nut, 3/4"-16
13	G2603-10	1	Tee, 7/8"-14 Male JIC
14	G304-C-10	1	Cap Nut, 7/8"-14
15	GA26924-09	1	Hose Cover Label Assembly, Black (Extend)
16	GA26924-10	1	Hose Cover Label Assembly, Black (Retract)
17	GD25522	1	Hydraulic Tip Cover

\*Hydraulic hose is not stocked by Kinze Repair Parts.

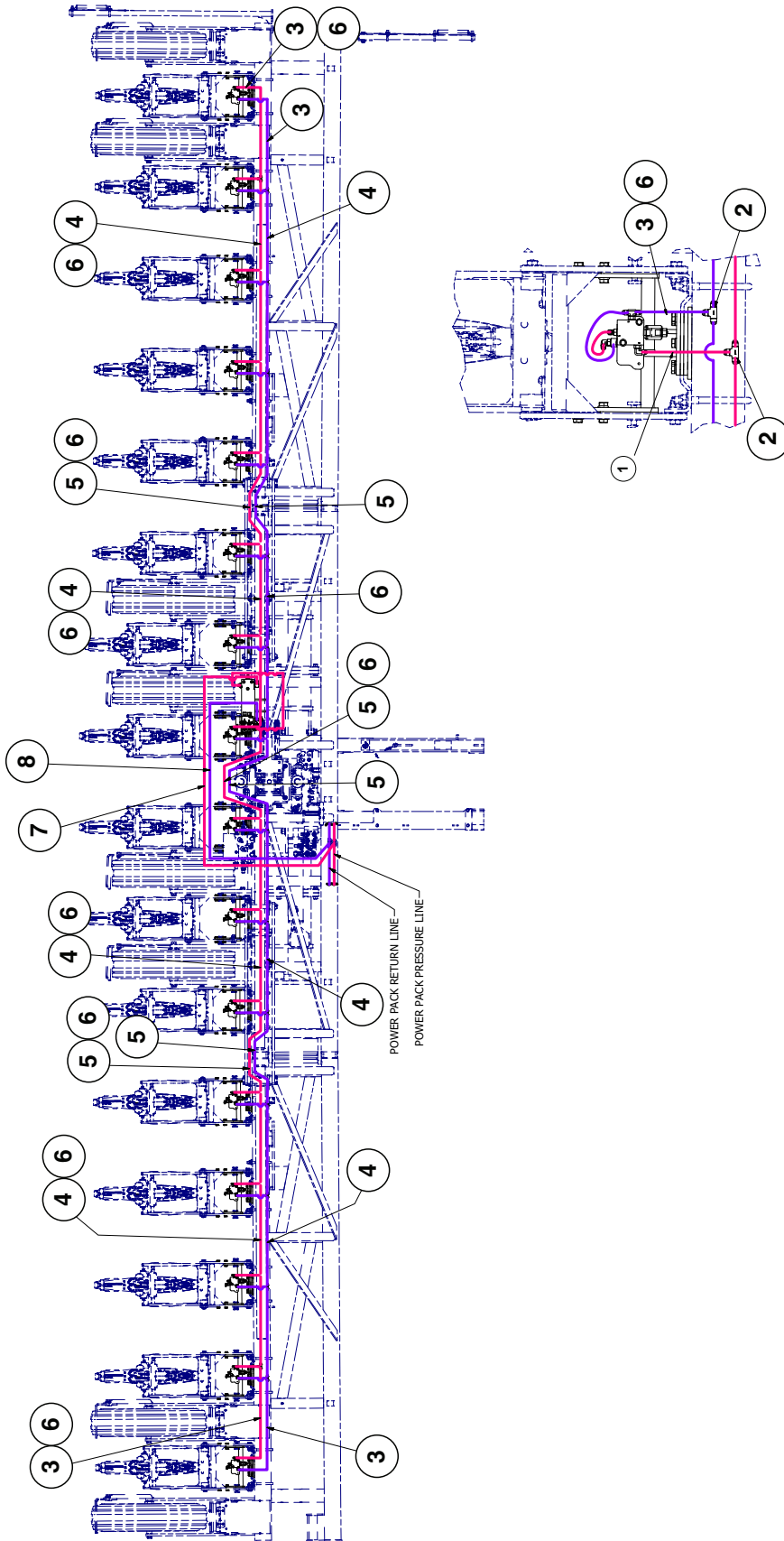
(102189)



ITEM	PART NO.	QTY.	DESCRIPTION
1	*A7678-13	12	Hose Assembly, 1/4" x 13" (04F-04F)
2	*A7677-20	12	Hose Assembly, 1/4" x 20" (04F - 04F STD 90)
3	*A25504-30	2	Hose Assembly, 3/8" x 30" (08F S90-06F)
4	GD35904-01	44	Shrink Tube, Purple PP
5	G6602-06	2	Swivel Tee, 9/16"-18 JIC
6	G2603-06	20	Tee, 9/16"-18 Male JIC
7	*A7680-14	20	Hose Assembly, 1/4" x 14" (04F-06F)
8	*A7680-35	4	Hose Assembly, 1/4" x 35" (04F-06F)
9	*A12038	12	Hose Assembly, 3/8" x 30" (06F-06F)
10	*A15081-36	6	Hose Assembly, 3/8" x 36" (06F - 06F)
11	*A25701-110	1	Hose Assembly, 1/2" x 110" (08F-10F)
12	*A21530-110	1	Hose Assembly, 5/8" x 110" (10F-10F)

\*Hydraulic hose is not stocked by Kinze Repair Parts.

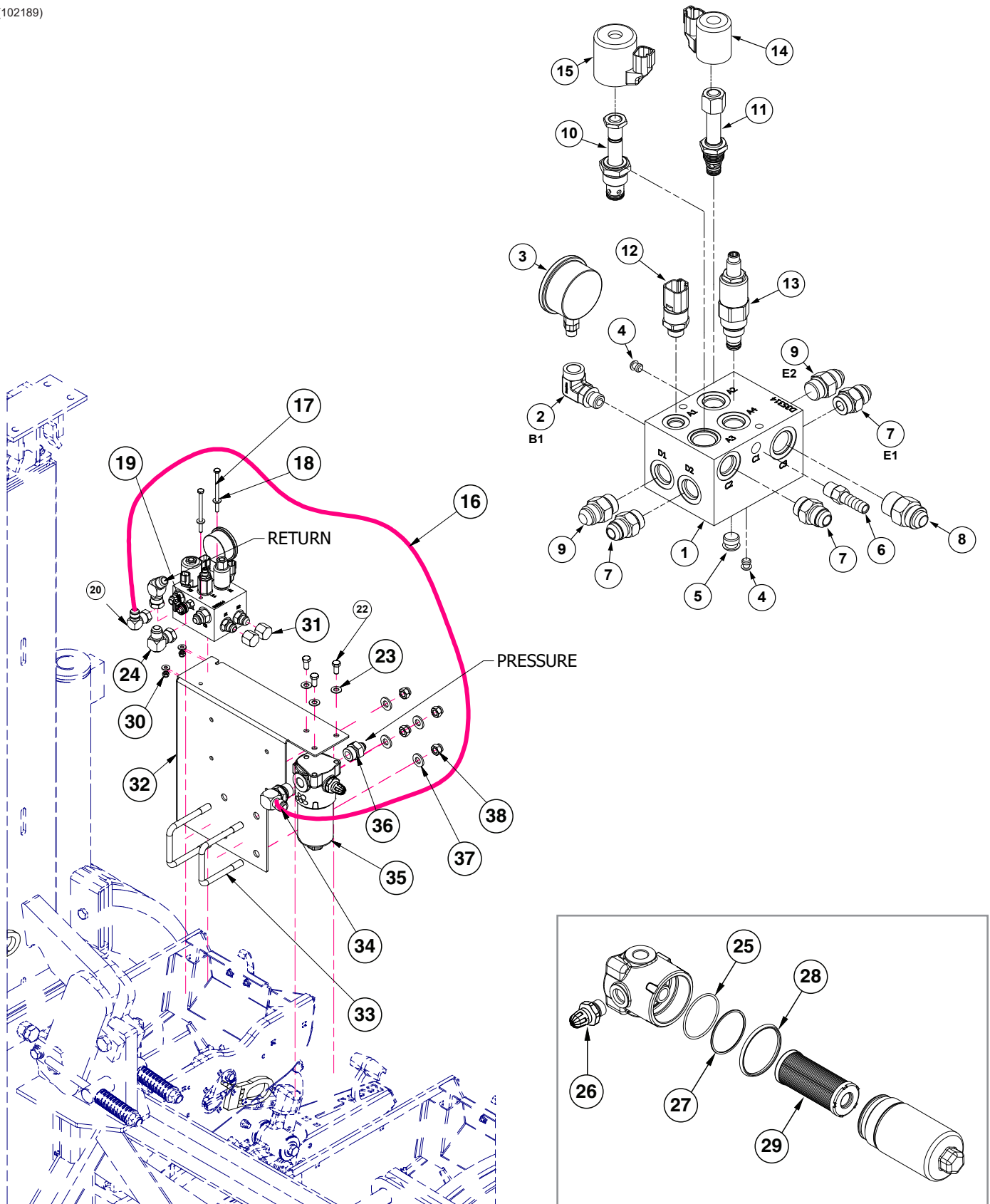
(100973)



ITEM	PART NO.	QTY.	DESCRIPTION
1	*A7680-14	28	Hose Assembly, 1/4" x 14" (04F-06F)
2	G2603-06	28	Tee, 9/16"-18 Male JIC
3	*A7680-35	4	Hose Assembly, 1/4" x 35" (04F-06F)
4	*A12038	12	Hose Assembly, 3/8" x 30" (06F-06F)
5	*A15081-36	6	Hose Assembly, 3/8" x 36" (06F - 06F)
6	GD35904-01	44	Shrink Tube, Purple
7	*A25701-110	1	Hose Assembly, 1/2" x 110" (08F-10F)
8	*A21530-110	1	Hose Assembly, 5/8" x 110" (10F-10F)

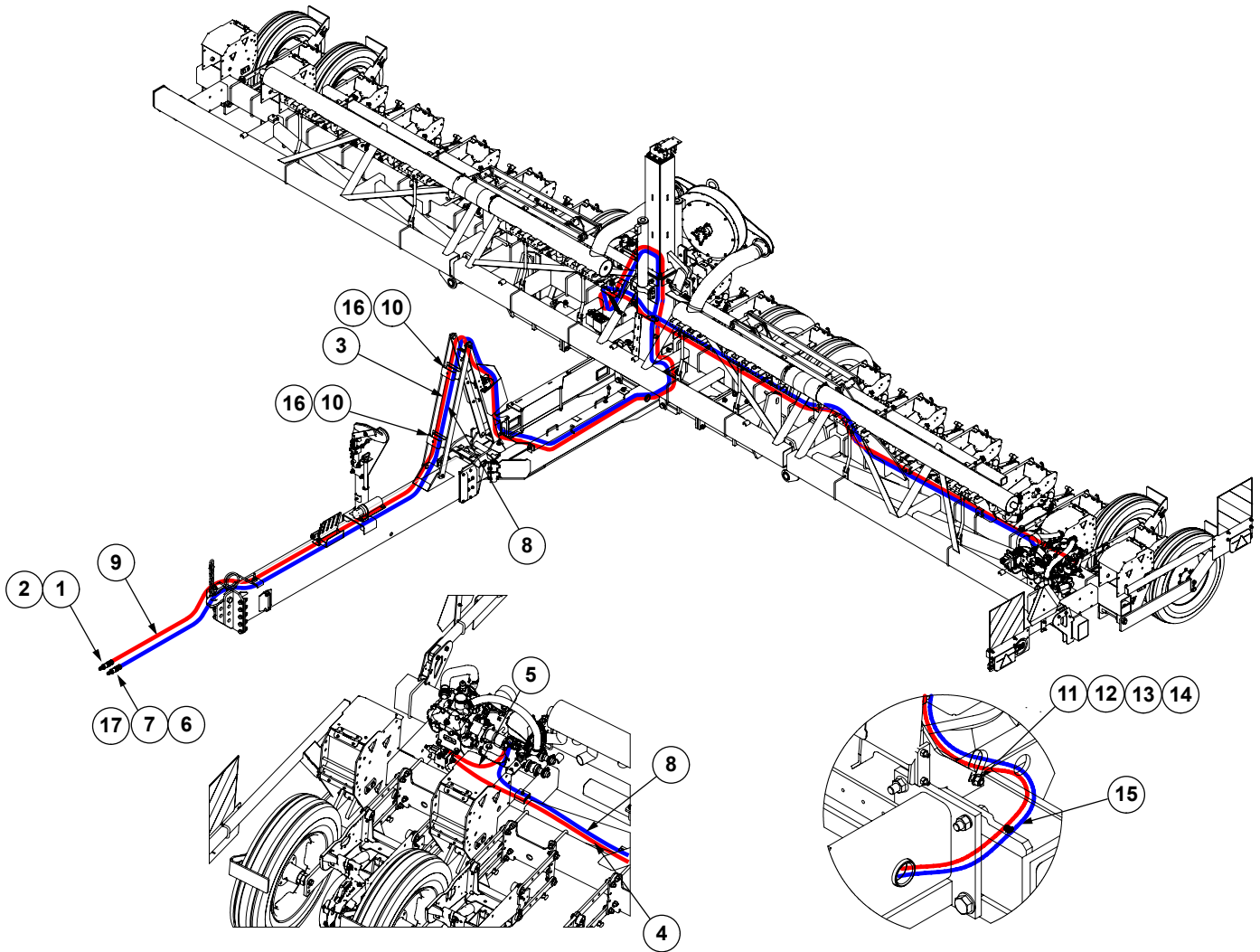
\*Hydraulic hose is not stocked by Kinze Repair Parts.

(102189)



ITEM	PART NO.	QTY.	DESCRIPTION
1	GD35314	1	Manifold Block
2	G6815-06-04	1	90° Adjustable Street Elbow
3	GA26005	1	Pressure Gauge
4	GD29318	2	Plug
5	GD29319	1	Plug
6	GD11700	1	Adapter, 1/4" NPT To 3/8" Barb
7	G6400-08 GR1037	3 -	Connector W/O-Ring, 3/4"-16 Male JIC To O-Ring O-Ring
8	G6400-10 GR1466	1 -	Connector W/O-Ring, 7/8"-14 Male JIC To O-Ring O-Ring
9	GA20252	2	Check Valve
10	GA25390	1	Solenoid, No. 10, Single Poppet
11	GA25389	1	Solenoid, No. 8, Single Poppet
12	G10568101	1	Pressure Sensor
13	GA25982	1	Direct Relief
14	GA25403	1	Coil, 12V
15	GA25404	1	Coil, 12V
16	*A18671-30 GD10057-20	1 2	Hose Assembly, 1/2" x 30" (08F-08F90S) Hose Identification Sleeve, Purple PP
17	G11135	2	Hex Head Cap Screw, 1/4"-20 X 3 3/4"
18	G11385	4	Flat Washer, 1/4" SAE
19	G10681	1	Hose Clamp, No. 6
20	---	-	---
21	G6500-08	1	Swivel Elbow, 90°, 3/4"-16 Male JIC To Female
22	G10002	3	Hex Head Cap Screw, 3/8"-16 x 3/4"
23	G11387	3	Hardened Washer, 3/8" SAE
24	G6500-10	1	Swivel Elbow, 90°, 7/8"-14 Male JIC To Female
25	**R2367	1	Sealing O-Ring
26	GR2361	1	Flow Indicator
27	**R2366	1	Anti-Extrusion Ring
28	**R2365	1	External O-Ring
29	GD35835	1	Replacement Filter Cartridge
30	G10110	2	Lock Nut, 1/4"-20, Grade B
31	G304-C-8	2	Cap Nut, 3/4"-16
32	GD36756	1	Hydraulic Block Mount Bracket
33	GD4743	2	U-Bolt, 3" x 3" x 1/2"-13
34	G6801-10-12	1	Elbow W/O-Ring, 90°, 7/8"-14 Male JIC To 1 1/16"-12 O-Ring
35	GA25857	1	In-Line Filter Assembly
36	G6400-08-12	1	Adapter, 3/4"-16 Male JIC to 1-1/16"-12 O-Ring
37	G11389	4	Flat Washer, 1/2" Plated SAE
38	G10111	4	Lock Nut, 1/2"-13
A	GA25857	1	In-Line Filter Assembly, Includes Items 26-29
B	GR2368	-	Seal Kit, Includes: (1) Sealing O-Ring, (1) Anit-Extrusion Ring, (1) External O-Ring

\*\*Item is part of seal kit, item can not be purchased individually.

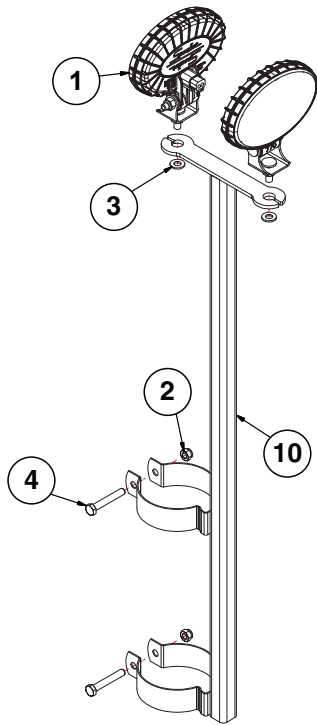




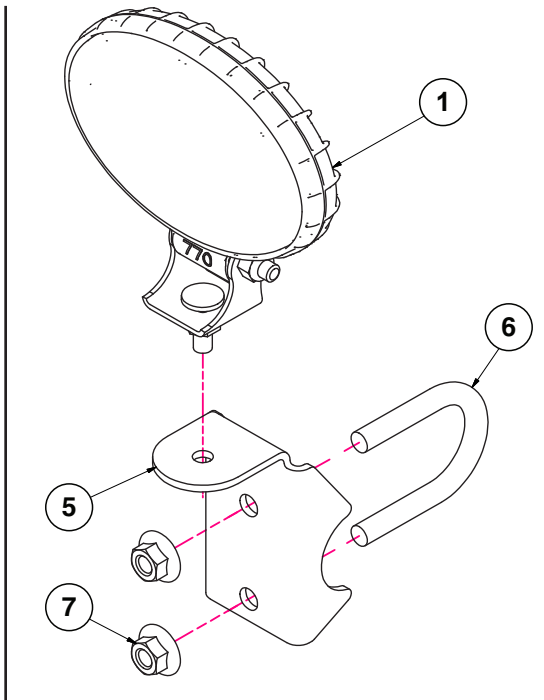
ITEM	PART NO.	QTY.	DESCRIPTION
1	GA26924-12	1	Hose Label Cover, Brown Extend
2	*A26939-250	1	Hose Assembly, 3/8" x 250" (06F-1/2" Male NPTF), 16 Row
	*A26939-238	1	Hose Assembly, 3/8" x 238" (06F-1/2" Male NPTF), 12 Row
3	*A15080-260	1	Hose Assembly, 3/8" x 260" (06F-06M), 16 Row
	*A15080-230	1	Hose Assembly, 3/8" x 230" (06F-06M), 12 Row
4	*A15083-280	1	Hose Assembly, 3/8" x 280" (08F-06M), 16 Row
	*A15083-230	1	Hose Assembly, 3/8" x 230" (08F-06M), 12 Row
5	*A15035-21	1	Hose Assembly, 3/8" AR x 21" (06F-08F)
6	GA26924-13	1	Hose Label Cover, Brown Retract
7	*A18690-250	1	Hose Assembly, 1/2" AR x 250" (08F-1/2" Male NPTF), 16 Row
	*A18690-238	1	Hose Assembly, 1/2" AR x 238" (08F-1/2" Male NPTF), 12 Row
8	*A18670-265	2	Hose Assembly, 1/2" x 265" (08F-08M), 16 Row
	*A18670-225	2	Hose Assembly, 1/2" x 254" (08F-08M), 12 Row
9	G10542203	1	Hose Wrap, 1.6 M
10	GD8188	2	Hose Clamp, 7/8" x 3" x 5 3/8"
11	GD36388	1	1" Double Tube Clamp, 1/2" Bolt
12	G10017	1	Hex Head Cap Screw, 1/2"-13 x 1 1/2"
13	G10102	1	Hex Nut, 1/2"-13
14	G11389	1	Flat Washer, 1/2" Plated SAE
15	G10542204	1	Hose Wrap, 0.5 M
16	G10045	2	Hex Head Cap Screw, 1/2"-13 x 4 1/2"
17	GD25522	1	Hydraulic Tip Cover

\*Hydraulic hose is not stocked by Kinze Repair Parts.

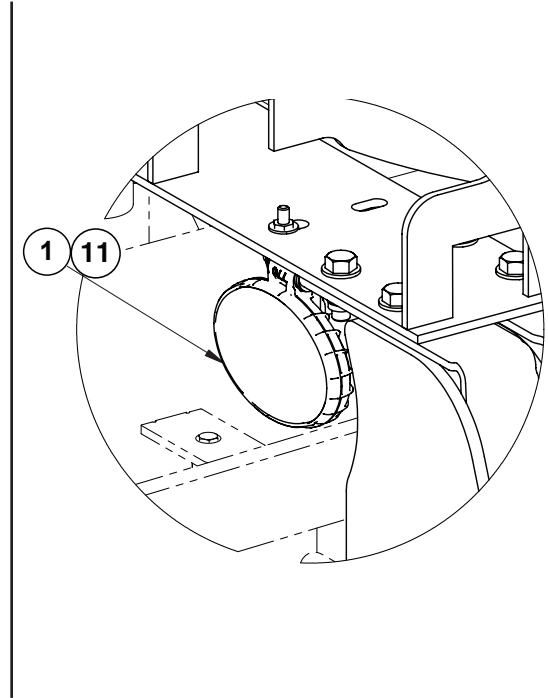
(102846/101636/103296/103586)



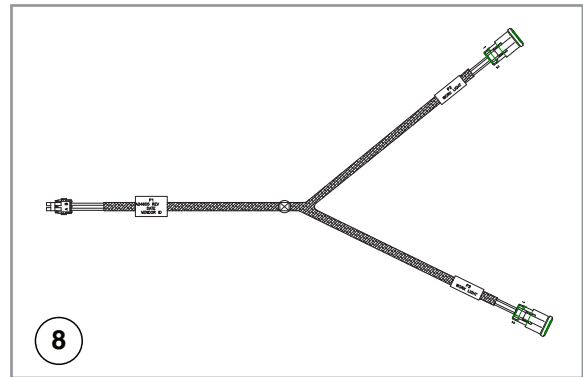
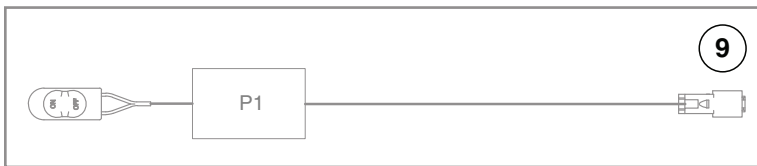
Conventional



Bulk Fill (Blue Drive Shown)



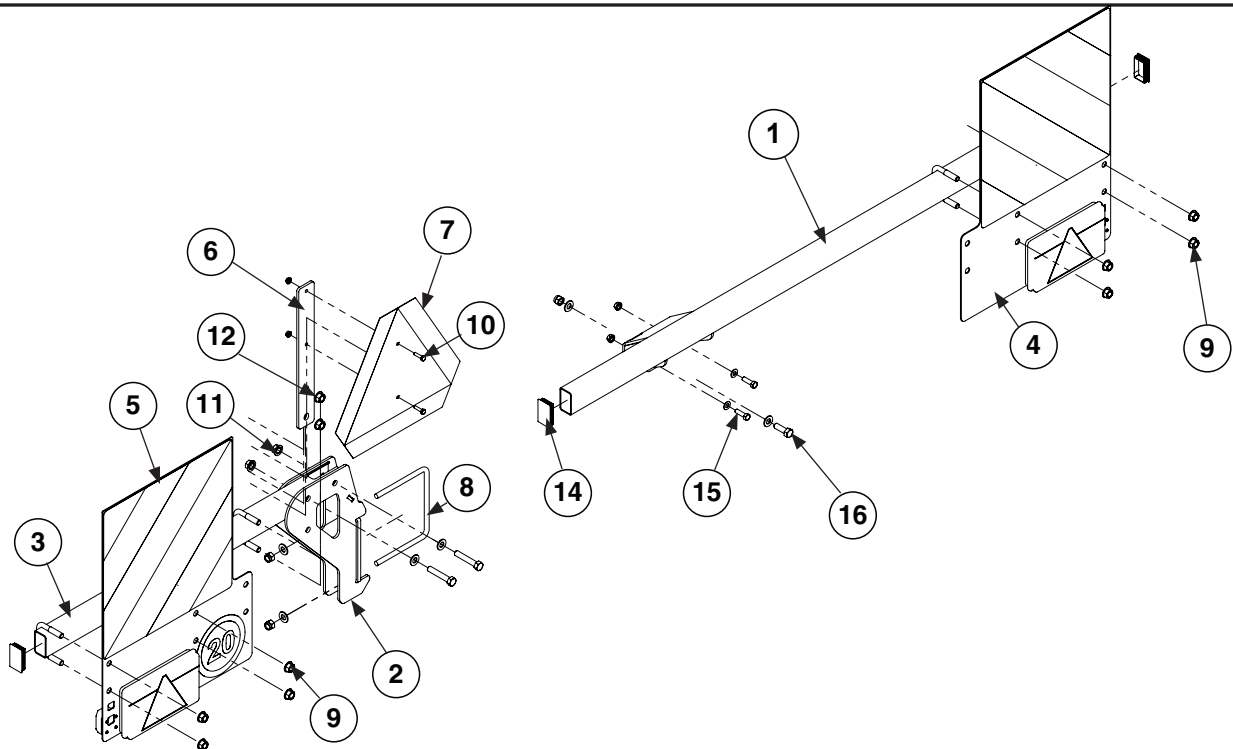
Non-Bulk Fill\*



ITEM	PART NO.	QTY.	DESCRIPTION
1	GA18486	2	LED Worklight
2	G10109	2	Hex Locknut, 5/16"-18
3	G11386	2	Flat Washer, 5/16" SAE
4	G10041	2	Hex Head Cap Screw, 5/16"-18 x 2"
5	GD26989	1	Worklight Bracket (Blue Drive)
6	GD27190	1	U-Bolt, 1-1/2" x 3/8"-16 (Blue Drive)
7	G11091	1	Serrated Flange Nut, 3/8"-16 (Blue Drive)
8	G10358601	1	Worklight Harness (Ground Contact Drive)
9	G10329601	1	Worklight Switch Harness (Ground Contact Drive)
10	GA14571	1	Light Mount
11	G11387	2	Hardened Washer, 3/8" SAE

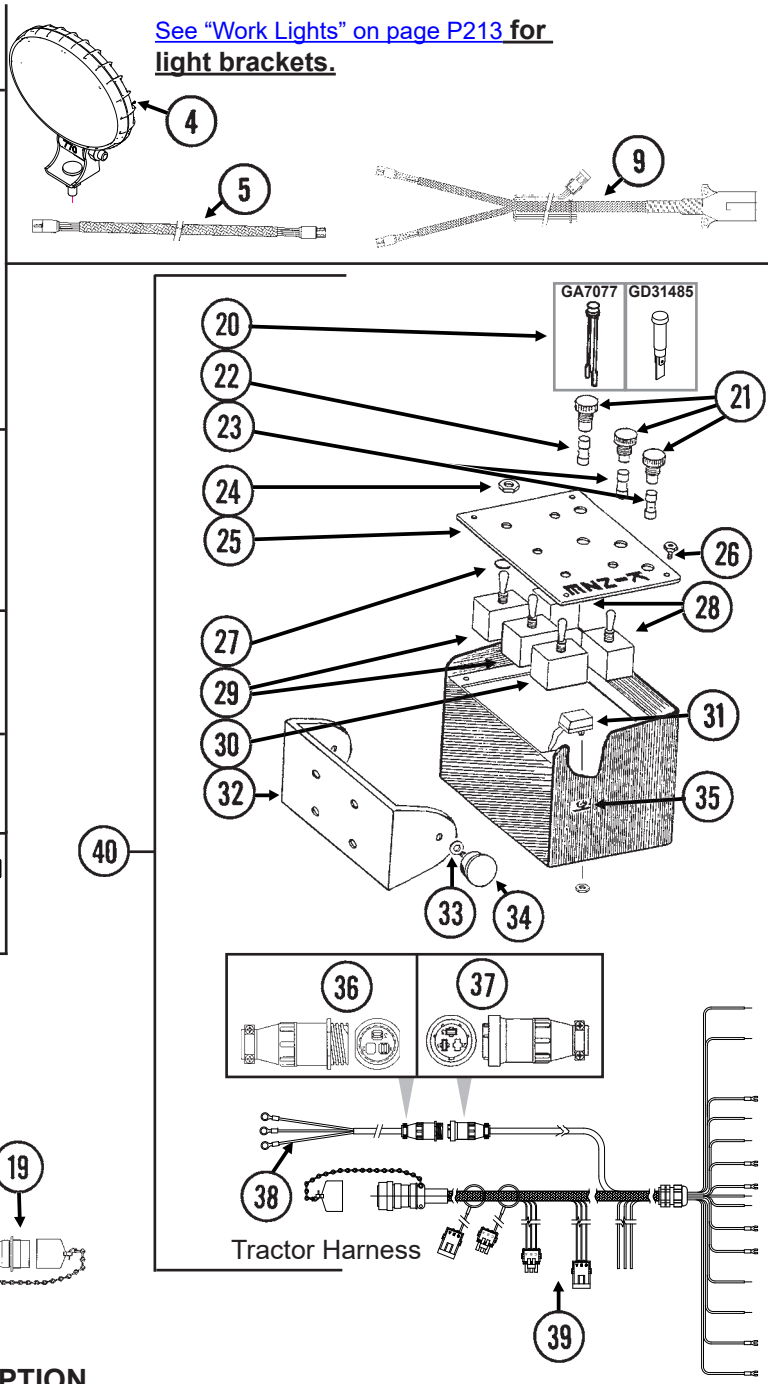
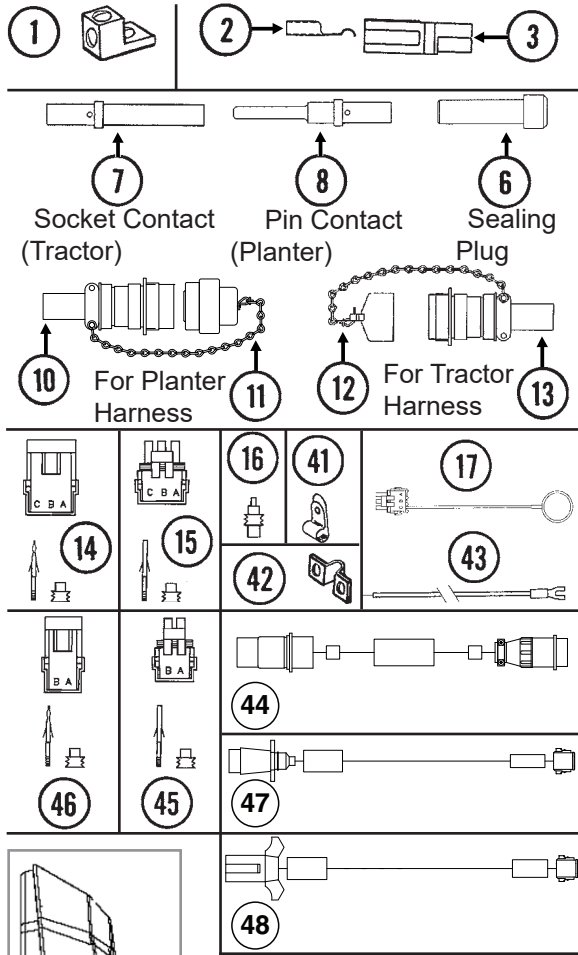
\*Work lights should be fitted on a liquid tank mount when BV-controlled liquid is installed on a conventional planter.

(101584)



ITEM	PART NO.	QTY.	DESCRIPTION
1	G10912601	1	Light Bracket, R.H.
2	GA25905	1	Light Bracket, L.H.
3	GD35743	1	Tube
4	GD35713	1	Light Bracket Mount
	GA25776	1	Tail Light
	GA25774	1	R.H. Brake/Stop/Turn Light
	G11556	4	Phillips Pan Head Tapping Screw, 6-19 x 1/2"
5	GD35713	1	Light Bracket Mount
	GA25776	1	Tail Light
	GA25775	1	L.H. Brake/Stop/Turn Light
	G11556	4	Phillips Pan Head Tapping Screw, 6-19 x 1/2"
6	GD35729	1	SMV Sign Mounting Bracket
7	GD2199	1	SMV Sign
8	GD1172	1	U-Bolt, 5" x 7" x 1/2"-13
	G10111	2	Lock Nut, 1/2"-13
	G11389	2	Flat Washer, 1/2" Plated SAE
9	GD13287	2	U-Bolt, 1 1/2" x 2 1/2" x 1/2"-13
	G10071	4	Serrated Flange Nut, 1/2"-13
10	G10064	2	Hex Head Cap Screw, 1/4"-20 x 1"
	G10621	2	Serrated Flange Nut, 1/4"-20
11	G10397	2	Hex Head Cap Screw, 1/2"-13 x 2 3/4"
	G10071	2	Serrated Flange Nut, 1/2"-13
	G11389	2	Flat Washer, 1/2" Plated SAE
12	GD13287	1	U-Bolt, 1 1/2" x 2 1/2" x 1/2"-13
	G10071	2	Serrated Flange Nut, 1/2"-13
13	G10316301	1	Tail Lights Harness
14	G10252301	3	Snap-In Rectangular Plug
15	G10004	2	Hex Head Cap Screw, 3/8"-16 x 1 1/4"
	G10622	2	Serrated Flange Nut, 3/8"-16
	G11387	2	Washer, 3/8" SAE
16	G10017	1	Hex Head Cap Screw, 1/2"-13 x 1 1/2"
	G11389	2	Flat Washer, 1/2" Plated SAE
	G10111	1	Lock Nut, 1/2"-13

(TWL19a/TWL18/ELC14/ELC3a/ELC5c/MTR27a/ELC39/TWL26e/ELC8/A9481/ELC12b/MTR27/A9689b/A10924/ELC4/FF27b/FF27c/ELC38/A9201a/A9202a/TWL20g/ELC34/ELC35/ELC10c)

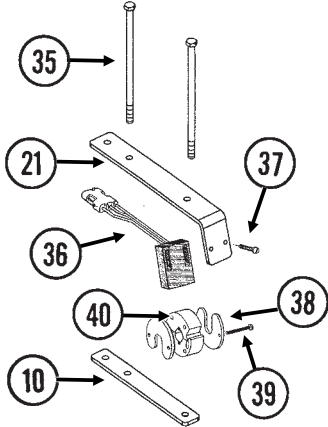


ITEM	PART NO.	QTY.	DESCRIPTION
1	GA3584	-	Ground Clamp
2	GD9530	-	Contact
3	GD9529	-	Housing, Black
	GD12726	-	Housing, Red
4	GA18486	2	LED Worklight
5	GA9096	-	Light Harness Extension, 42"
6	GD8739	-	Sealing Plug, No. 12
7	GD8740	-	Socket Contact, No. 14
8	GD8741	-	Pin Contact, No. 14
9	GA9202	-	Wiring Harness W/7 Terminal Female Connector, 786" (2 Light Connections), 12 Row
	GA9204	-	Wiring Harness W/7 Terminal Female Connector, 882" (2 Light Connections), 16 Row
	GA5385	-	7 Terminal Female Connector (Included W/GA9202 and GA9204)
10	GA6109	1	Connector W/Cable Clamp, 23 Pin Capacity

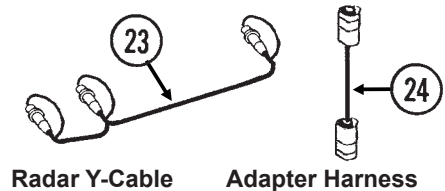
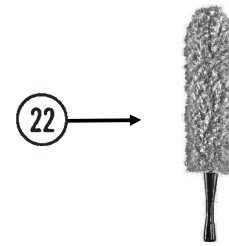
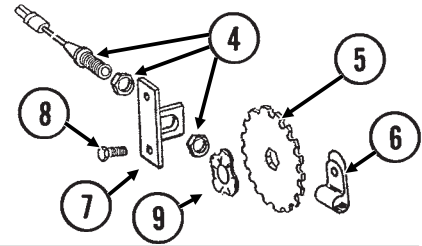
ITEM	PART NO.	QTY.	DESCRIPTION
11	GD32092	-	Dust Cap W/Chain
12	GA7863	-	Dust Cap W/Chain
13	GA6108	1	Connector W/Cable Clamp, 23 Socket Capacity
14	G1K248	-	3-Pin Female Connector Kit (Black), Includes: (3) 3-Pin Female Housings, (9) Pin Contacts, (9) Seals
15	G1K252	-	3-Pin Male Connector Kit (Black), Includes: (3) 3-Pin Male Housings, (9) Socket Contacts, (9) Seals
16	GD11089	-	Sealing Plug
17	GA8047	-	Dust Plug (Black)
18	G10201101	-	Ag Leader 7500 GPS Receiver W/ Cable and Bracket
19	GA11736	-	Harness Extension W/Dust Caps, 15'
20	GA7077	1-4	Indicator Light
	GD31485	1	LED Indicator Light
21	GA2612	3-5	Fuse Holder W/Spade, 1 <sup>33</sup> / <sub>60</sub> "
22	GD2829	1-2	Fuse, 15 Amp, Type AGC
23	GD10243	2-6	Fuse, MDL 10 Amp Delay Action
24	GR1363	5	Hex Face Nut, 1 <sup>5</sup> / <sub>32</sub> "-32
	GR1364	5	Internal Tooth Lock Washer, 1 <sup>5</sup> / <sub>32</sub> "
25	GA8734	1	Cover Plate (Shown)
	GA8735	-	Cover Plate, Planters Equipped With Two-Speed Point Row Clutch
26	GR1292	4	Pan Head Screw, No. 8-32 x 1/2"
27	GD3860	-	O-Ring (If Applicable)
28	GA2528	2	Switch, 3 Position Toggle, On-Off-On
29	GA6978	2	Switch, 3 Position Toggle, Momentary On-Off-Momentary On
30	GA6977	1-2	Switch, 2 Position Toggle, On-Off
31	GA8731	1	Switch, Push Button W/Transformer
32	GD9896	1	Mounting Bracket
33	G11385	4	Flat Washer, 1/4" SAE
34	GA6975	2	Knob
35	GR1290	2	Cage Nut, 1/4"-20
36	G1K267	-	Console Cable Connector Kit, Includes: (1) 3-Pin Connector, (1) Cable Clamp, (3) Male Terminal Pins
37	G1K268	-	Console Cable Connector Kit, Includes: (1) 3-Pin Connector, (1) Cable Clamp, (1) Lock Ring, (3) Female Terminal Pins
38	GA17547	1	Power Lead Adapter
39	GA16340	1	Control Box Cable
40	G7633X	-	Backlit Control Console Assembly W/Mounting Brackets, Short Harness W/Dust Cap And Power Cable
41	GD22965	-	Insulated Clamp, 1/4"
	GD6291	-	Insulated Clamp, 3/8"
	GD13348	-	Insulated Clamp, 1 <sup>1</sup> / <sub>16</sub> "
42	GD13310	-	Jumper, 7/16"
43	GA9481	-	Jumper Wire W/Fork Terminal, 13"
	G10996	-	Fork Terminal (Included W/GA9481)
44	GA26751	-	EU Power Adapter Harness (1 each for Blue Vantage, KPM3, PDP, PTO)
45	G1K320	-	2-Pin Male Connector Kit (Black), Includes: (3) 2-Pin Male Housings, (6) Socket Contacts, (6) Seals
46	G1K321	-	2-Pin Female Connector Kit (Black), Includes: (3) 2-Pin Female Housings, (6) Pin Contacts, (6) Seals
47	GA25170	1	EU Tail Light Extension Harness
48	GA25207	1	US Tail Light Extension Harness

**NOTE:** See ["Point Row Clutch" on page P153](#) for R.H. and L.H. Wiring Harness for the point row clutches. See ["KPM III Electronic Seed Monitor" on page P217](#) for those components.

(MTR59) Shaft Rotation Sensor

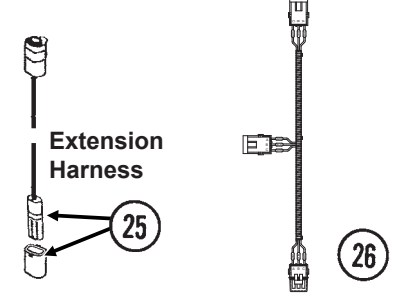


Magnetic Distance Sensor (MDS)



Radar Y-Cable

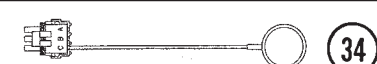
Adapter Harness



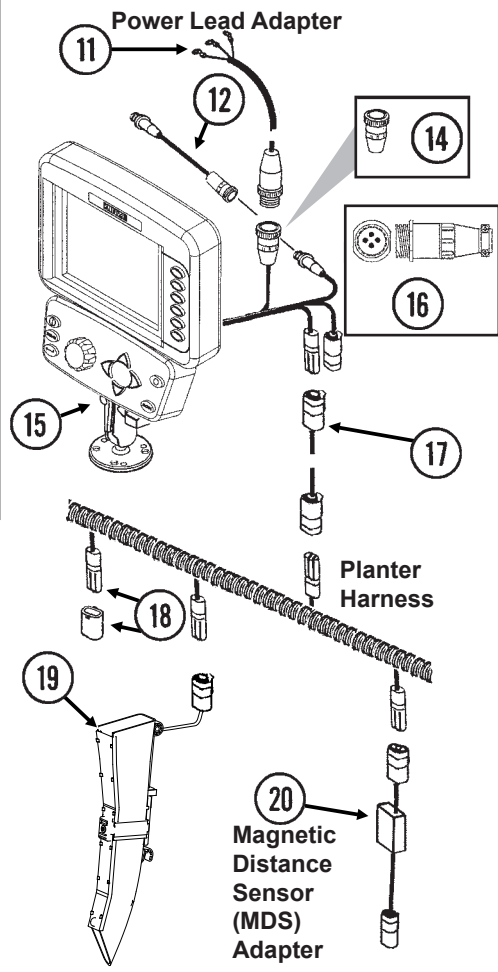
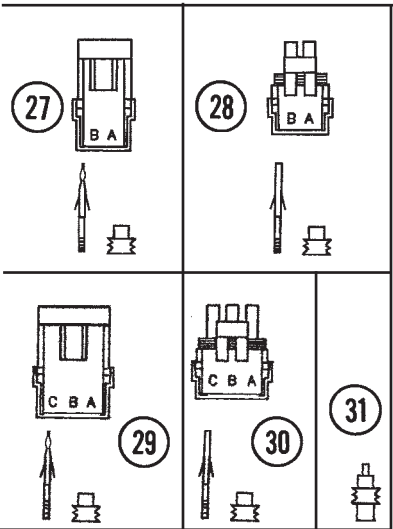
Extension Harness



33



34



Power Lead Adapter

Planter Harness

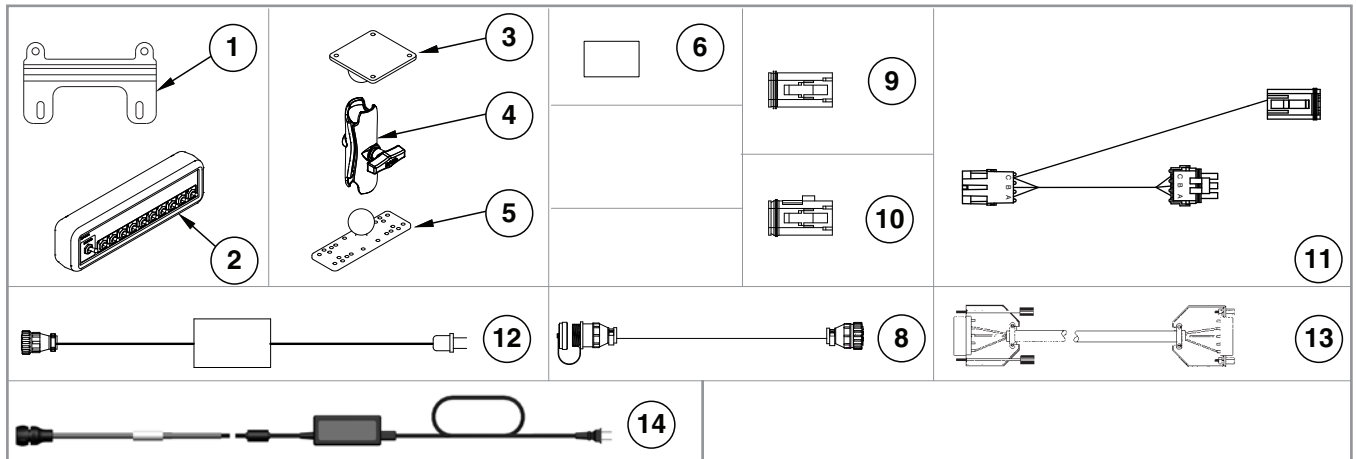
Magnetic Distance Sensor (MDS) Adapter

ITEM	PART NO.	QTY.	DESCRIPTION
1	---	-	---
2	---	-	---
3	---	-	---
4	GA5600	1	Magnetic Distance Sensor
5	GD8751	-	Magnetic Distance Sensor Pulse Wheel
6	GD13348	-	Insulated Clamp, 11/16"
7	GD8770	1	Bracket
8	G10001	2	Hex Head Cap Screw, 3/8"-16 x 1"
	G10229	2	Lock Washer, 3/8"
	G10101	2	Hex Nut, 3/8"-16
9	GD8771	1	Spring Wave Washer
10	GD18168	2	Mount
11	GA17547	1	Power Lead Adapter
12	GA9144	-	Monitor/Radar Adapter Cable, 10"
13	---	-	---
14	G1K268	-	Console Cable Connector Kit, Includes: (1) Cable Clamp, (1) 3-Pin Connector, (1) Lock Ring, (3) Female Terminal Pins
15	G8647X	-	KPM III Backlit Console W/Brush (Item 22), Dust Plug (Item 33), Console Mounting Bracket Hardware And Power Harness
	GA12403	-	Mounting Bracket Assembly, Includes: (2) Mounting Brackets, (2) Connector Halves, (1) Compression Spring, (1) Tension Knob, (1) 1/4"-20 x 1 1/4" Hex Head Cap Screw, (1) 1/4" Plastic Washer, (1) 1/4" Steel Washer
	GR1762	-	Console Mounting Bracket Hardware Package, Includes: (3) No. 10-32 x 5/8" Hex Socket Pan Head Screws, (3) No. 10 Lock Washers
	GA16082	-	Power Harness
16	G1K322	-	4-Pin Connector Kit W/Male Housing, Includes: (4) Female Socket Contacts And (1) Cable Clamp
17	---	-	<a href="#">See Tractor/Planter Wiring Harness, Items 18 And 39 on page P215</a>
18	GA7852	-	Planter Harness W/Dust Caps (20 Connectors)
	GB1090	-	Dust Cap (Included W/GA7852)
19	G10745401	-	Seed Tube W/Computerized Sensor
	GA20902	-	Seed Tube (With Holes For Sensor Installation) (Included W/G)
20	GA7859	1	Magnetic Distance Sensor Adapter (Analog To Digital)
21	GD18118	2	Shaft Sensor Mount
22	G10475701	-	Professional Microfiber Duster, 19" (for cleaning Seed Tube sensors)
23	GR0586	1	Radar Y-Cable (Used To Connect Radar Distance Sensor For Multiple Functions)
24	GA7857	-	Adapter Harness, 1'
25	GA7854	-	Extension Harness W/Dust Cap, 15'
	GA7855	-	Extension Harness W/Dust Cap, 30'
	GB1090	-	Dust Cap (Included W/GA7854 and GA7855)
26	GA7853	-	Junction Y-Harness W/Dust Cap
	GB1090	-	Dust Cap (Included W/GA7853)
27	G1K321	-	2-Pin Female Connector Kit (Black), Includes: (3) 2-Pin Female Housings, (6) Pin Contacts, (6) Seals
28	G1K320	-	2-Pin Male Connector Kit (Black), Includes: (3) 2-Pin Male Housings, (6) Socket Contacts, (6) Seals
29	G1K248	-	3-Pin Female Connector Kit (Black), Includes: (3) 3-Pin Female Housings, (9) Pin Contacts, (9) Seals
	G1K362	-	3-Pin Female Connector Kit (Blue), Includes: (3) 3-Pin Female Housings, (9) Pin Contacts, (9) Seals
30	G1K252	-	3-Pin Male Connector Kit (Black), Includes: (3) 3-Pin Male Housings, (9) Socket Contacts, (9) Seals
	G1K363	-	3-Pin Male Connector Kit (Blue), Includes: (3) 3-Pin Male Housings, (9) Socket Contacts, (9) Seals

Continued on the next page.

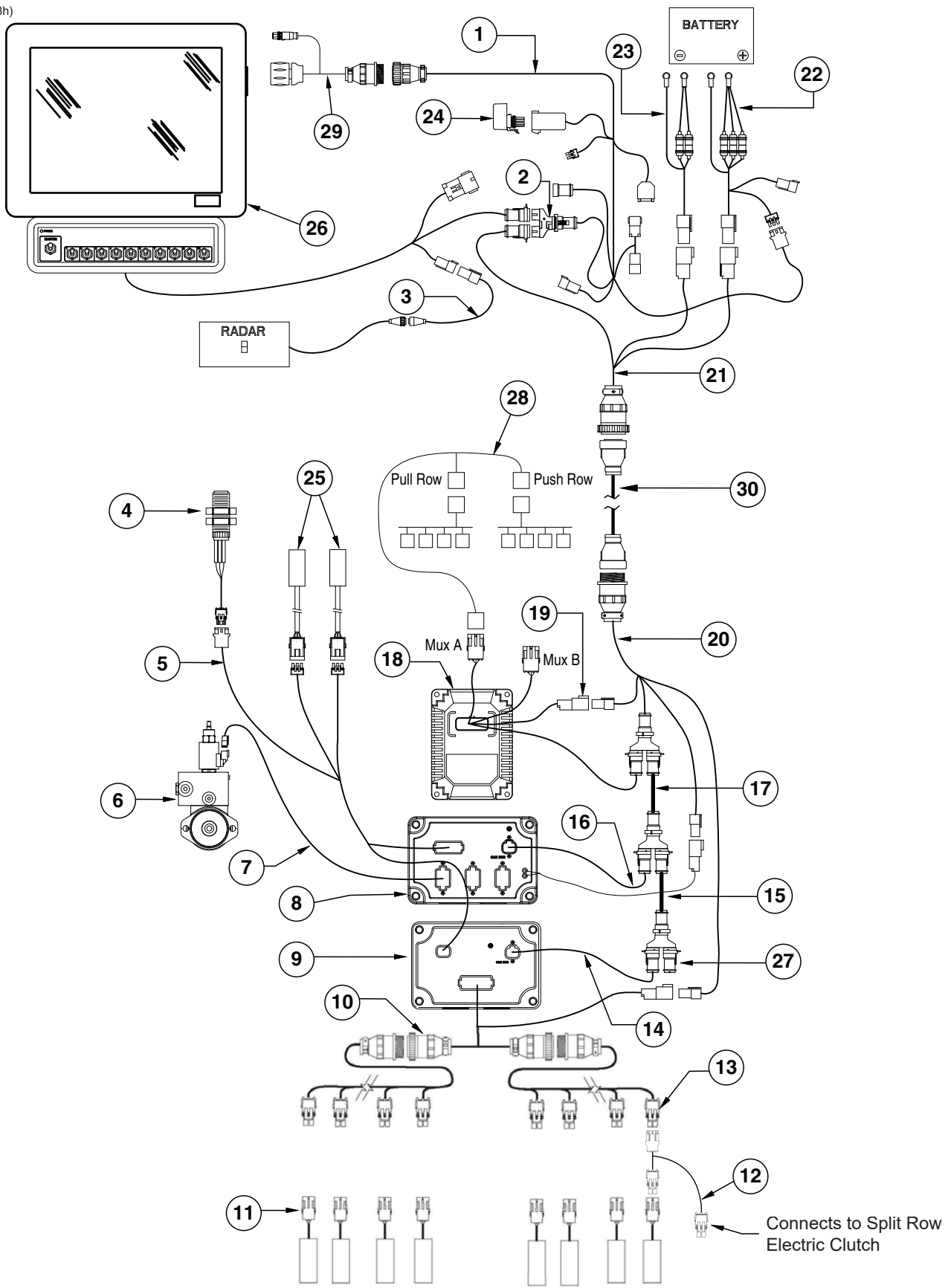
ITEM	PART NO.	QTY.	DESCRIPTION
31	GD11089	-	Sealing Plug
32	---	-	---
33	GA8046	-	Dust Plug (Black)
	GA9978	-	Dust Plug (Blue)
34	GA8047	-	Dust Plug (Black)
	GA9979	-	Dust Plug (Blue)
35	G10686	4	Hex Head Cap Screw, 3/8"-16 x 8"
	G10229	4	Lock Washer, 3/8"
	G10101	4	Hex Nut, 3/8"-16
36	GR1415	1	Rotation Sensor
37	G11288	2	Pan Head Screw, No. 10-32 x 1 1/4"
	G10243	2	Washer, No. 10 SAE
	G10758	2	Hex Nut, No. 10-32
38	GD11474	2	Cover
39	G10927	2	Pan Head Machine Screw, No. 8-32 x 1 1/4", Stainless Steel
	G10931	2	Lock Washer, No. 8, Internal/External, Stainless Steel
	G10928	2	Hex Nut, No. 8-32, Stainless Steel
40	GR1414	1	Actuator
A	GA6147	-	Magnetic Distance Sensor And Mounting Package (Items 4-9)
B	GR1763	-	KPM III Loaner (Display Only)
C	GA13521	-	Shaft Sensor Mounting Package (Items 10, 21, 35, and 37-39)
D	GA8135	-	Shaft Rotation Kit, Includes: (2) Actuators (2) Rotation Sensors





ITEM	PART NO.	QTY.	DESCRIPTION
1	GR2279 G12103 G12212-08	1 4 4	Switch Box Bracket Lock Washer, M6 Phillips Pan Head Machine Screw, M6-1.0 x 8, Grade 2
2	GA12539	1	Switch Box Module
3	GD18408	1	Ram Vesa Base
4	GA12868	1	Ram Double Socket Arm
5	GD18407	1	Ram Base
6	GA14449	1	Flash Drive (InCommand)
7	---	-	---
8	GA13562	1	Cable Extension, 180"
9	GR1838	1	Dust Plug
10	GR1839	1	Dust Plug
11	GA13572	1	Multi-Product Cable
12	GA12852	1	Power Supply
13	GA12853	1	Null Modem Cable
14	GA24649	1	Power Supply (InCommand)
A	GA14448	-	Ram Mount Hardware Kit

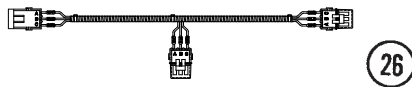
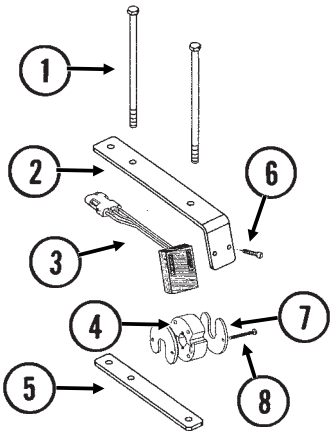
(TP1098h)



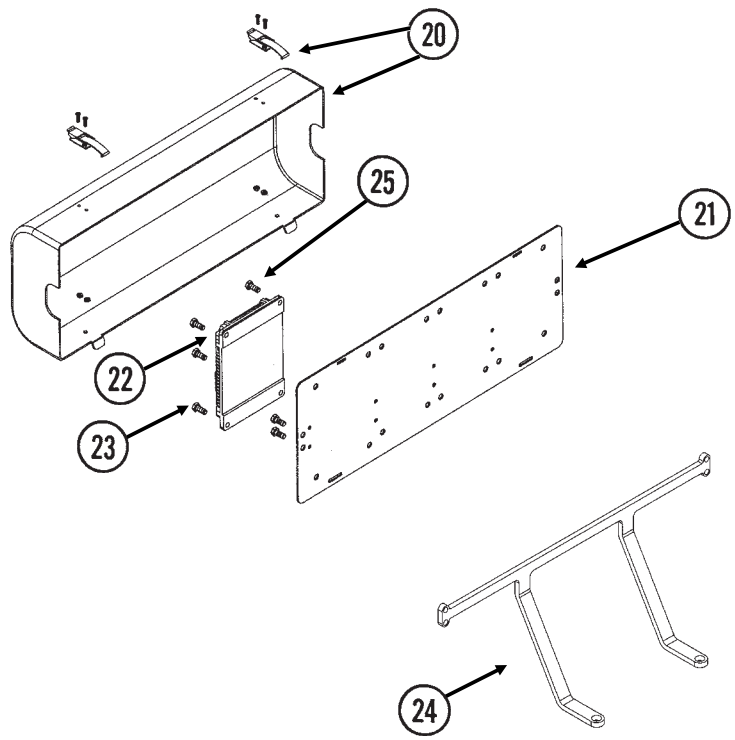
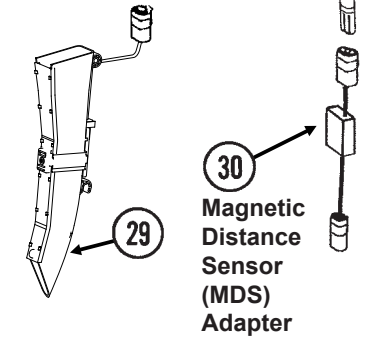
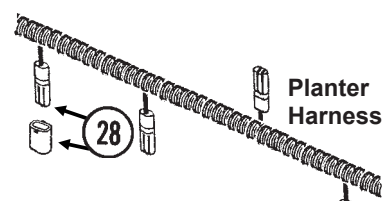
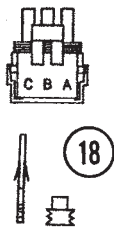
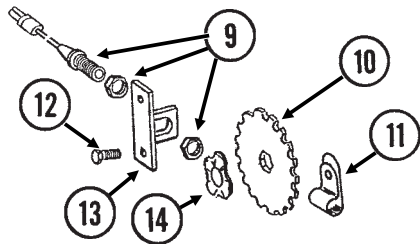
ITEM	PART NO.	QTY.	DESCRIPTION
1	GA16831	1	ISOBUS Integra Display Cable
2	GD18176	1	Y-Splice Connector
3	GA12596	1	Radar Adapter Cable
4	G10192101	-	Implement Switch Adapter Harness
	G10404901	-	Implement Switch Assembly
5	GA16826	-	Implement Switch Extension Cable
6	---	-	---
7	GA12568	1	Seed Rate Cable
8	GA12564	1	Seed Rate Control Module
9	GA12537	1	Clutch Control Module
10	GA16382	1	Section Adapter Cable, 12 Row (2 Row)
	GA16375	-	Section Adapter Cable, 16 Row (2 Row)
11	GA16374	-	<a href="#">See "Ag Leader Electric Clutch" on page P11</a>
12	GA16393	-	Interplant Cable (2 Rows)
	GA16381	-	Interplant Cable (3 Rows)
13	GA16383	2	Clutch Cable (6 Connectors), 12 Row
	GA16376	2	Clutch Cable (8 Connectors), 16 Row
14	GA12558	1	Can Stub Cable, 8"
15	GA12559	1	Can Extension Cable, 5"
16	GA12566	1	Cab Stub Cable, 6" (Hydraulic Drive)
17	GA12567	1	Can Extension Cable, 4" (Hydraulic Drive)
18	GA16351	1	Planter Monitor Module
19	GA12557	1	PMM Cable
20	GA17544	1	Implement Cable
21	GA14450	1	CAN Adapter Cable
22	GA14452	1	Power Cable
23	GA12598	1	Seed Rate Power Cable
24	GA12540	1	Power Control Relay
25	GA16829	-	<a href="#">See "Parallel Arms, Mounting Support Plate, and Quick Adjustable Down Force Springs Option" on page P7</a>
26	*GA24887	-	InCommand Display
27	GD18177	-	<u>Terminator</u>
28	GA7853	-	<u>Junction Y-Harness W/Dust Cap</u>
	GB1090	-	<u>Dust Cap (Included W/GA7853)</u>
29	GA24652	-	<u>InCommand to Legacy Adapter Cable</u>
30	GA17542	-	<u>Universal Implement Cable, 520" (12 Row)</u>
	GA17543	-	<u>Universal Implement Cable, 580" (16 Row)</u>

\*[See "Miscellaneous Display Parts" on page P220](#) for mounting brackets and other miscellaneous items.

Shaft Rotation Sensor

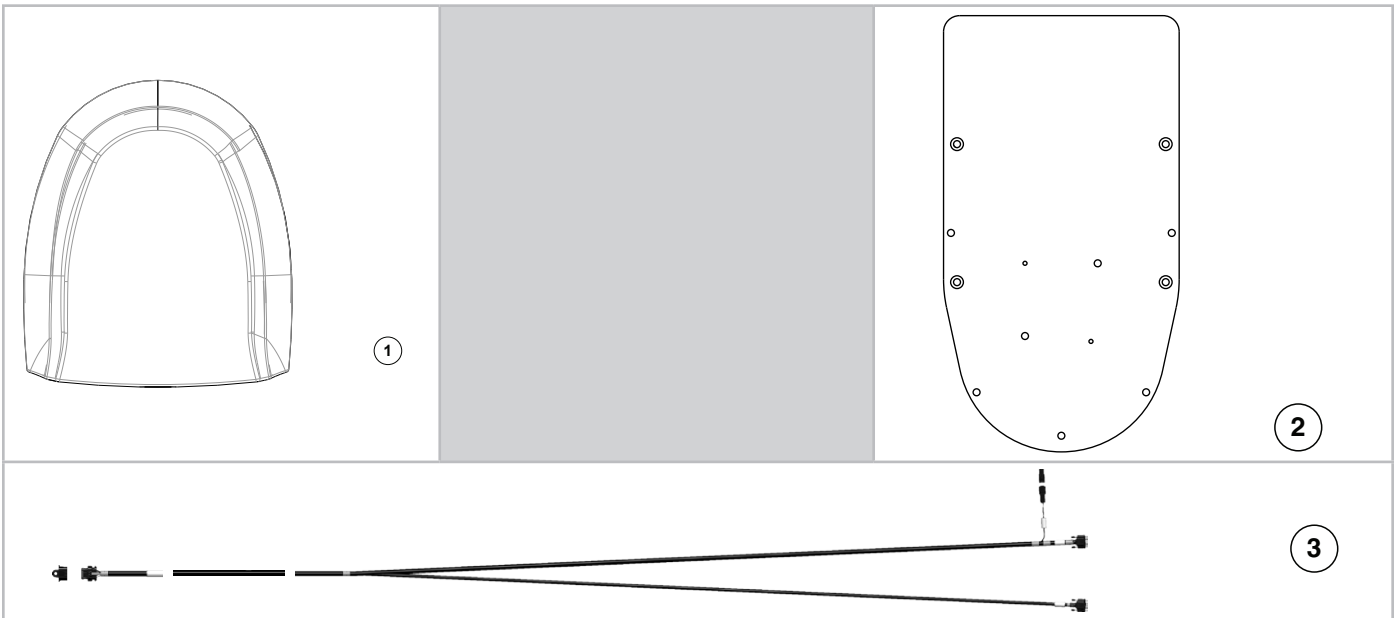


Magnetic Distance Sensor (MDS)



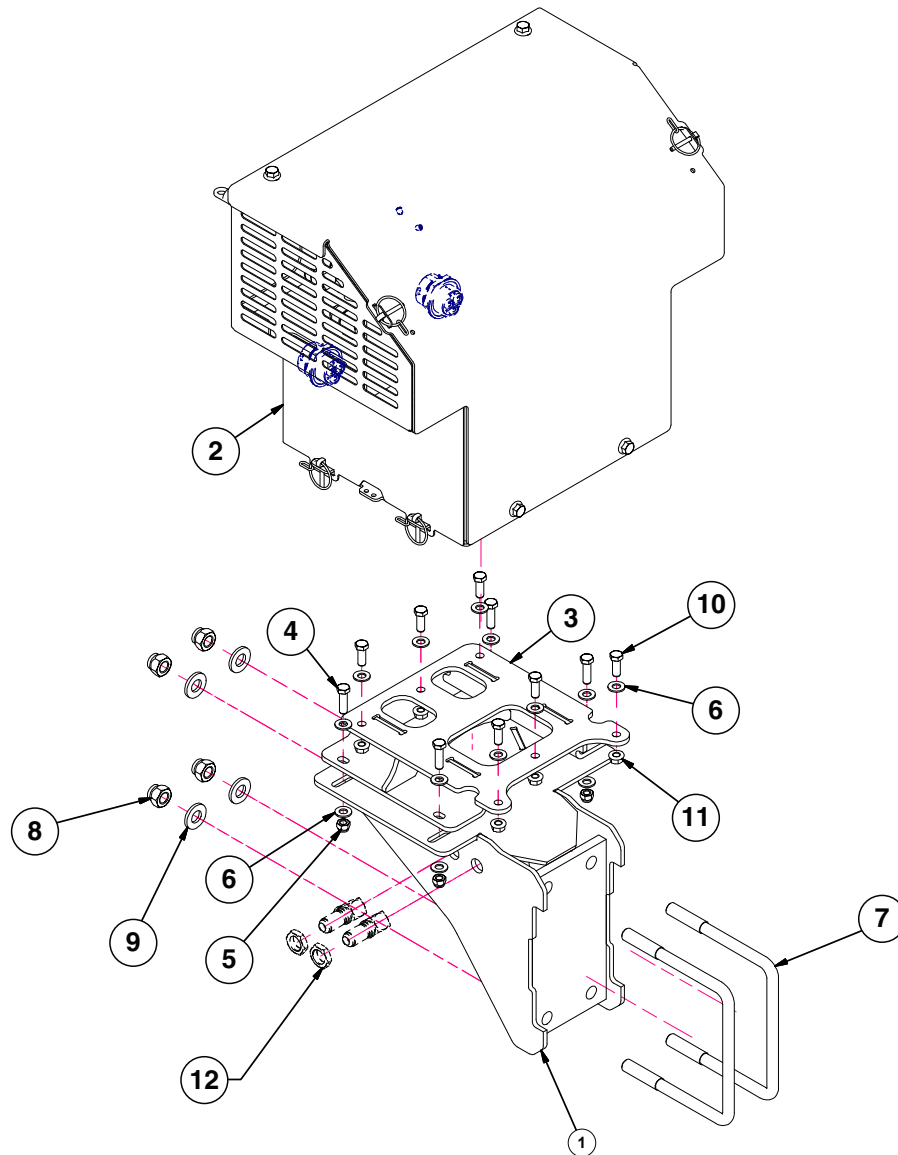
ITEM	PART NO.	QTY.	DESCRIPTION
1	G10686	4	Hex Head Cap Screw, 3/8"-16 x 8"
	G11091	4	Serrated Flange Nut, 3/8"-16
2	GD18118	2	Shaft Sensor Mount
3	GR1415	1	Rotation Sensor
4	GR1414	1	Actuator
5	GD18168	2	Mount

ITEM	PART NO.	QTY.	DESCRIPTION
6	G11288	2	Pan Head Screw, No. 10-32 x 1½"
	G10243	2	Washer, No. 10 SAE
	G10758	2	Hex Nut, No. 10-32
7	GD11474	2	Cover
8	G10927	2	Pan Head Machine Screw, No. 8-32 x 1¼", Stainless Steel
	G10931	2	Lock Washer, No. 8, Internal/External, Stainless Steel
	G10928	2	Hex Nut, No. 8-32, Stainless Steel
9	GA5600	1	Magnetic Distance Sensor
10	GD8751	-	Magnetic Distance Sensor Pulse Wheel
11	GD6291	-	Insulated Clamp, ⅜"
12	G10001	2	Hex Head Cap Screw, ⅜"-16 x 1"
	G10229	2	Lock Washer, ⅜"
	G10101	2	Hex Nut, ⅜"-16
13	GD8770	1	Bracket
14	GD8771	1	Spring Wave Washer
15	GA8046	-	Dust Plug (Black)
	GA9978	-	Dust Plug (Blue)
16	GA8047	-	Dust Plug (Black)
	GA9979	-	Dust Plug (Blue)
17	G1K248	-	3-Pin Female Connector Kit (Black), Includes: (3) 3-Pin Female Housings, (9) Pin Contacts, (9) Seals
	G1K362	-	3-Pin Female Connector Kit (Blue), Includes: (3) 3-Pin Female Housings, (9) Pin Contacts, (9) Seals
18	G1K252	-	3-Pin Male Connector Kit (Black), Includes: (3) 3-Pin Male Housings, (9) Socket Contacts, (9) Seals
	G1K363	-	3-Pin Male Connector Kit (Blue), Includes: (3) 3-Pin Male Housings, (9) Socket Contacts, (9) Seals
19	GD11089	-	Sealing Plug
20	GA12563	1	Module Cover Assembly W/Lock Clamps
	GA12641	-	Lock Clamp (Included W/GA12563)
	G11065	-	Phillips Pan Head Machine Screw, No. 8-32 x ⅝", Stainless Steel (Included W/ GA12563)
	G11241	-	Serrated Flange Nut (Included W/GA12563)
21	GD18013	1	Bracket
22	GA12538	1	Planter Monitor Module
23	G10019	4	Hex Head Cap Screw, ⅝"-18 x 1"
	G10620	4	Serrated Flange Nut, ⅝"-18
24	GD19295	2	Support
	G10019	6	Hex Head Cap Screw, ⅝"-18 x 1"
	G10232	6	Lock Washer, ⅝"
	G10106	6	Hex Nut, ⅝"-18
25	G10043	2	Hex Head Cap Screw, ⅝"-18 x ¾"
	G10232	2	Lock Washer, ⅝"
	G10106	2	Hex Nut, ⅝"-18
26	GA13551	-	Tee Junction Harness
27	G10475701	-	Professional Microfiber Duster, 19" (for cleaning Seed Tube sensors)
28	GA7852	-	Planter Harness W/Dust Caps, 12 Row (20 Connectors)
	GA8050	-	Planter Harness W/Dust Caps, 16 Row (22 Connectors)
	GB1090	-	Dust Cap (Included W/GA7852 and GA8050)
29	G10745401	-	Seed Tube W/Computerized Sensor
	GA20902	-	Seed Tube (With Holes For Sensor Installation) (Included W/G)
30	GA7859	1	Magnetic Distance Sensor Adapter (Analog To Digital)
31	GA16923	-	Dickey John Adapter Cable
A	GA6147	-	Magnetic Distance Sensor And Mounting Package (Items 9-14)



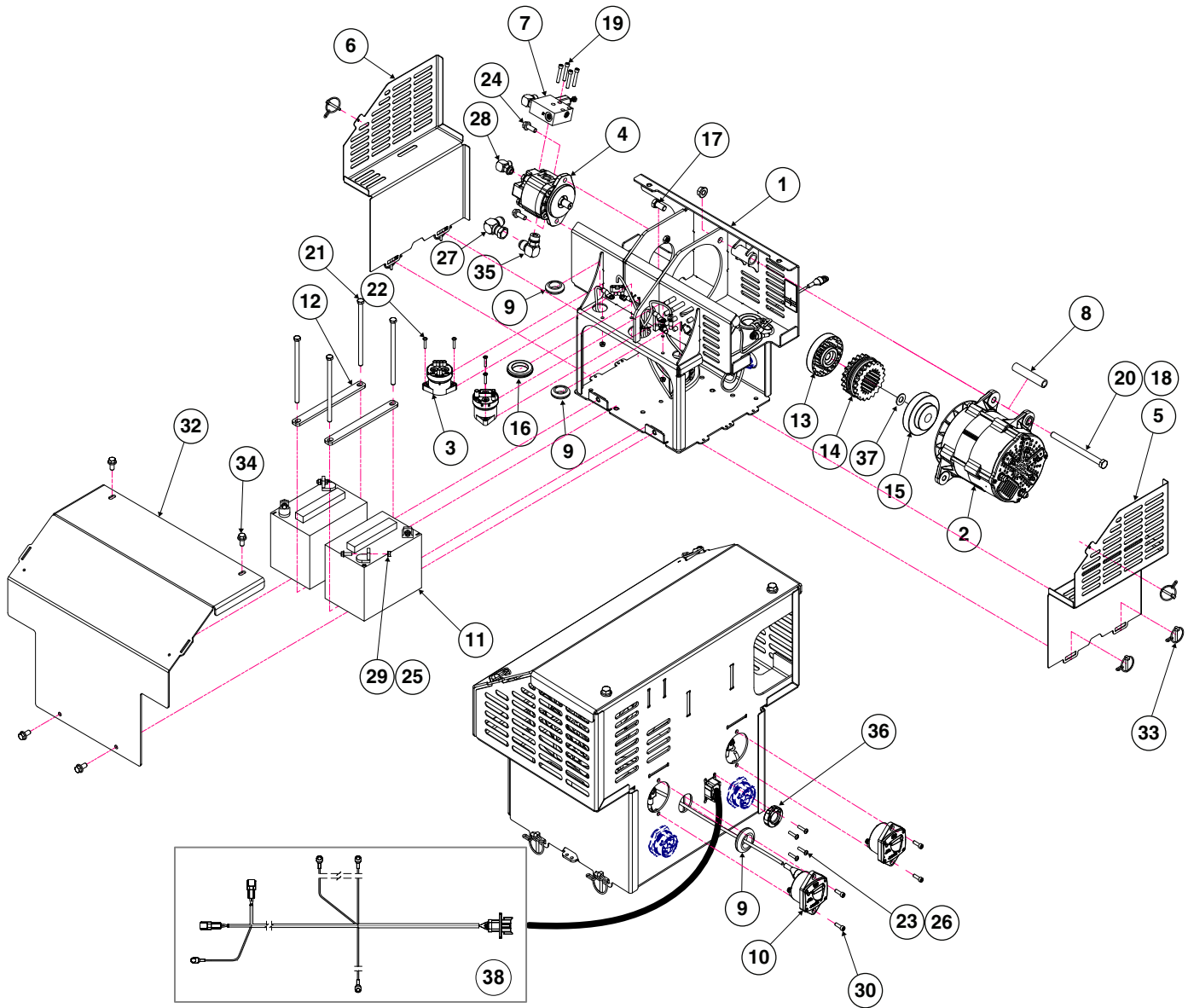
ITEM	PART NO.	QTY.	DESCRIPTION
1	G10254901	1	GPS Receiver
2	G10254701	1	GPS Dual Port Receiver
3	G10254801	1	GPS Mount Bracket

(102688)



ITEM	PART NO.	QTY.	DESCRIPTION
1	G10268401	1	Power Pack Mount
2	G10112901	1	<a href="#">See "Power Pack Assembly" on page P227</a>
3	GA27112	1	Base Mount
4	G10004	4	Hex Head Cap Screw, 3/8"-16 x 1 1/4"
5	G10108	4	Lock Nut, 3/8"-16
6	G11387	14	Flat Washer, 3/8" SAE
7	GD1113	2	U-Bolt, 5" x 7" x 5/8"-11
8	G10107	4	Lock Nut, 5/8"-11
9	G11391	4	Flat Washer, 5/8" SAE
10	G10001	6	Hex Head Cap Screw, 3/8"-16 x 1"
11	G10622	6	Serrated Flange Nut, 3/8"-16
12	G2701-08	2	Bulkhead Elbow, 90°, 3/4"-16 Male JIC
	G306-08	2	Lock Nut, 3/4"-16
	G10492	2	Thread Protector, 3/4"-16

(101129)

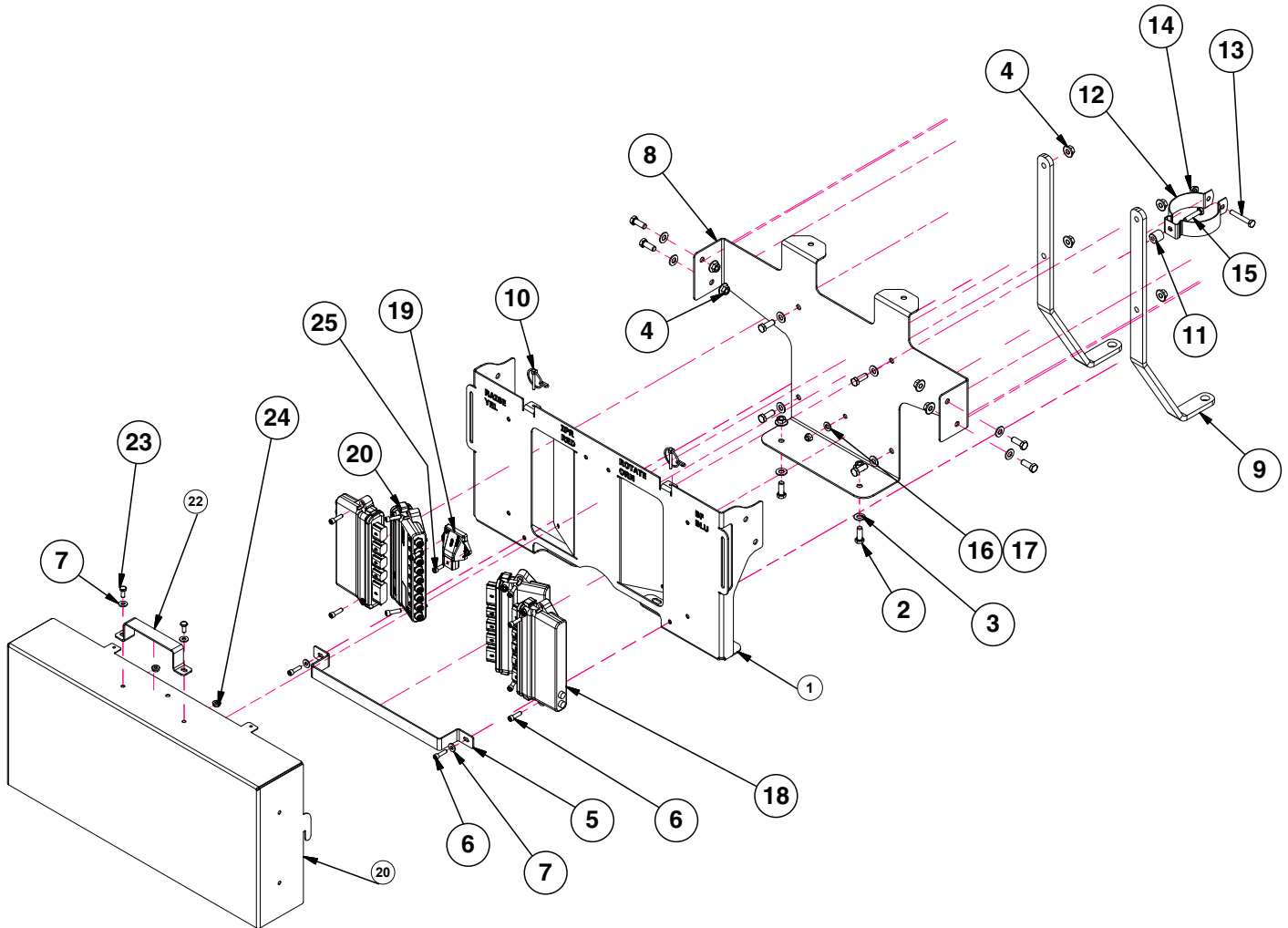


ITEM	PART NO.	QTY.	DESCRIPTION
1	GA26839	1	Battery Box
2	GA26673	1	Alternator
3	G10584701	2	Contactors
4	G10169501 GD30262	1 -	Hydraulic Motor O-Ring
5	GD36822	1	Battery Box Vent
6	GD36821	1	Battery Box Vent
7	---	-	<a href="#">See "Manifold Hydraulic Block Assembly" on page P188</a>
8	G10318901	1	Sleeve, .80 O.D. x .50 I.D. x 3.85
9	GD22200	3	Grommet, 1"
10	GD28354	2	Circuit Breaker, 100 Amp Panel Mount



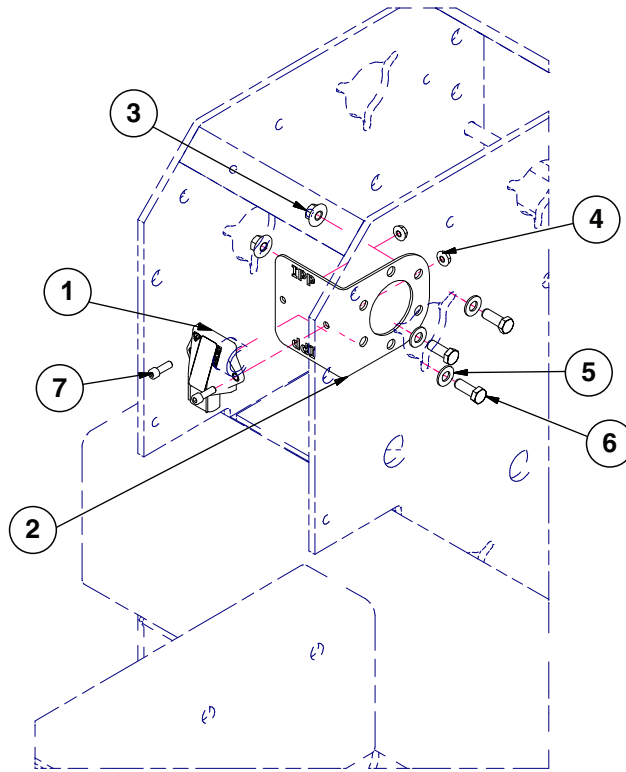
ITEM	PART NO.	QTY.	DESCRIPTION
11	GD28363	2	Battery, 12 Volt
12	G10114001	2	Battery Strap
13	GD36680	1	Coupler Half, .625" Bore
14	GD36681	1	Sleeve W/Retaining Ring
15	GD36682	1	Coupler Half, .875" Bore
16	GR2126	2	1½" Push-In Grommet
17	G10014	1	Hex Head Cap Screw, ½"-13 x 1"
18	G10071	1	Serrated Flange Nut, 1/2"-13
19	G11418	4	Hex Socket Head Cap Screw, ¼" x 1½"
20	G10829	1	Hex Head Cap Screw, ½"-13 x 6 ½"
21	G10954	4	Hex Head Cap Screw, 3/8"-16 x 7"
22	G10992	8	Serrated Flange Nut, No. 10-24
23	G11067	4	Phillips Pan Head Machine Screw, No. 8-32 x 3/4", Stainless Steel
24	G11124	2	Hex Serrated Flange Cap Screw, 3/8"-16 x 1"
25	G11166	3	Hex Socket Flange Cap Screw, ¼"-20 x ¾"
	G11409	1	Hex Socket Flange Cap Screw, ¼"-20 x 1"
26	G11202	4	Lock Nut W/Nylon Insert, No. 8-32, Stainless Steel
27	G6500-10	1	Swivel Elbow, 90°, 7/8"-14 Male JIC To Female
28	G6801-06	1	Elbow, 90°, 9/16"-18 x 7/16"-20 W/O-Ring
29	G11528	4	Hex Nut W/External Tooth Washer, ¼"-20
30	G11588	4	Hex Socket Head Cap Screw, No. 10-24 x 5/8" Grade 8
31	---	-	---
32	GD36820	1	Battery Box Cover
33	G11339	6	Pin W/Chain
34	G11123	4	Hex Serrated Flange Cap Screw, 3/8"-16 x 3/4"
35	G6801-10	1	Elbow W/O-Ring, 90°, 7/8"-14 Male JIC To O-Ring
36	GD25007	1	Deutsch Cap, Size 24 (Only used with non-Split Row configurations)
37	G11391	1	Flat Washer, 5/8" SAE
38	G10600701	1	Compact Power Pack Sense Harness
A	G10112902	-	Power Pack (Includes Items 1-38)

(100618)



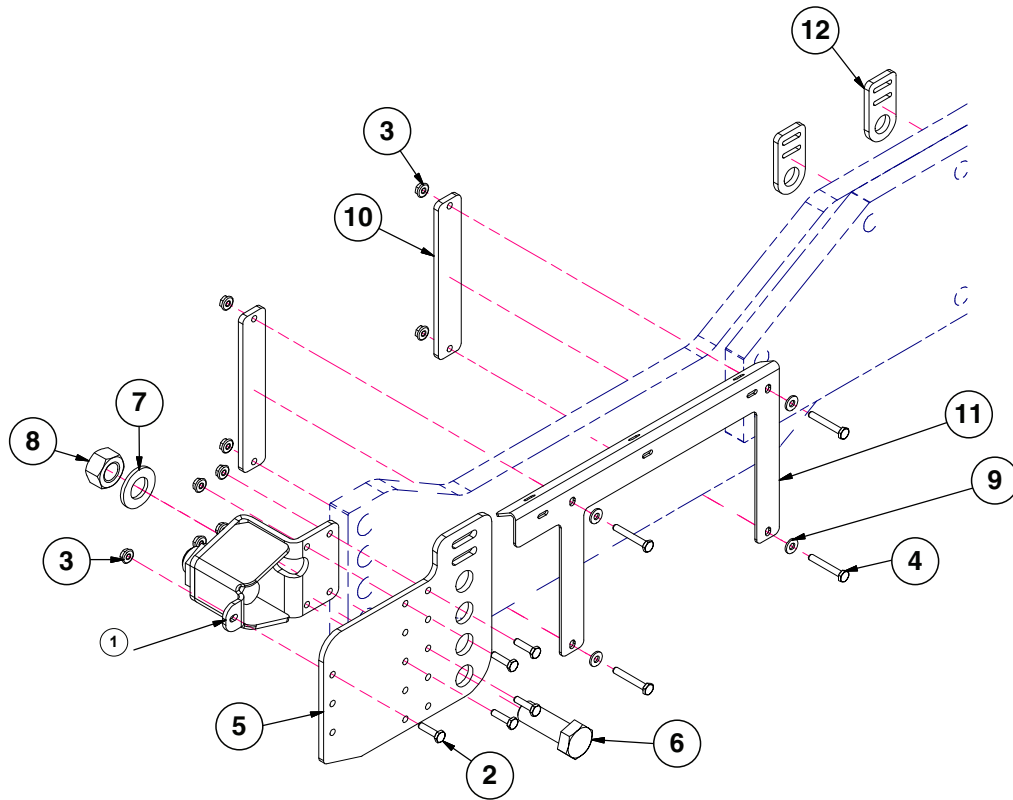
ITEM	PART NO.	QTY.	DESCRIPTION
1	G10079201	1	Narrowed Module Mount
2	G10001	10	Hex Head Cap Screw, 3/8"-16 x 1"
3	G11387	10	Flat Washer, 3/8" SAE
4	G11091	10	Serrated Flange Nut, 3/8"-16
5	GD36727	1	Module Harness Loop
6	G10252	10	Hex Socket Head Cap Screw, 1/4"-20 x 7/8", Grade 8
7	G11385	4	Flat Washer, 1/4" SAE
8	G10402801	1	Center Mount Back Plate
9	G10164901	2	Center Mount Bracket
10	G11339	2	Pin W/Chain
11	GD25867	1	Drill Bushing, .75" O.D. x .3125" I.D. x .75"
12	GD20795	1	Light Mount Clamp
13	G10041	1	Hex Head Cap Screw, 5/16"-18 x 2"
14	G10620	1	Serrated Flange Nut, 5/16"-18
15	G10133	1	Hex Head Cap Screw, 5/16"-18 x 1 1/2"
16	G11386	1	Flat Washer, 5/16" SAE
17	G10109	1	Lock Nut, 5/16"-18
18	GA25949	3	IPN Module Assembly
19	GA21687	1	IPP Module Assembly
20	GA25950	1	IPR Module Assembly
21	GA26744	1	Module Cover
22	GD36726	1	Handle
23	G10020	2	Hex Head Cap Screw, 1/4"-20 x 5/8"
24	G10621	2	Serrated Flange Nut, 1/4"-20
25	G10831	2	Socket Head Screw, 1/4"-20 x 5/8"

(100558/A21687)



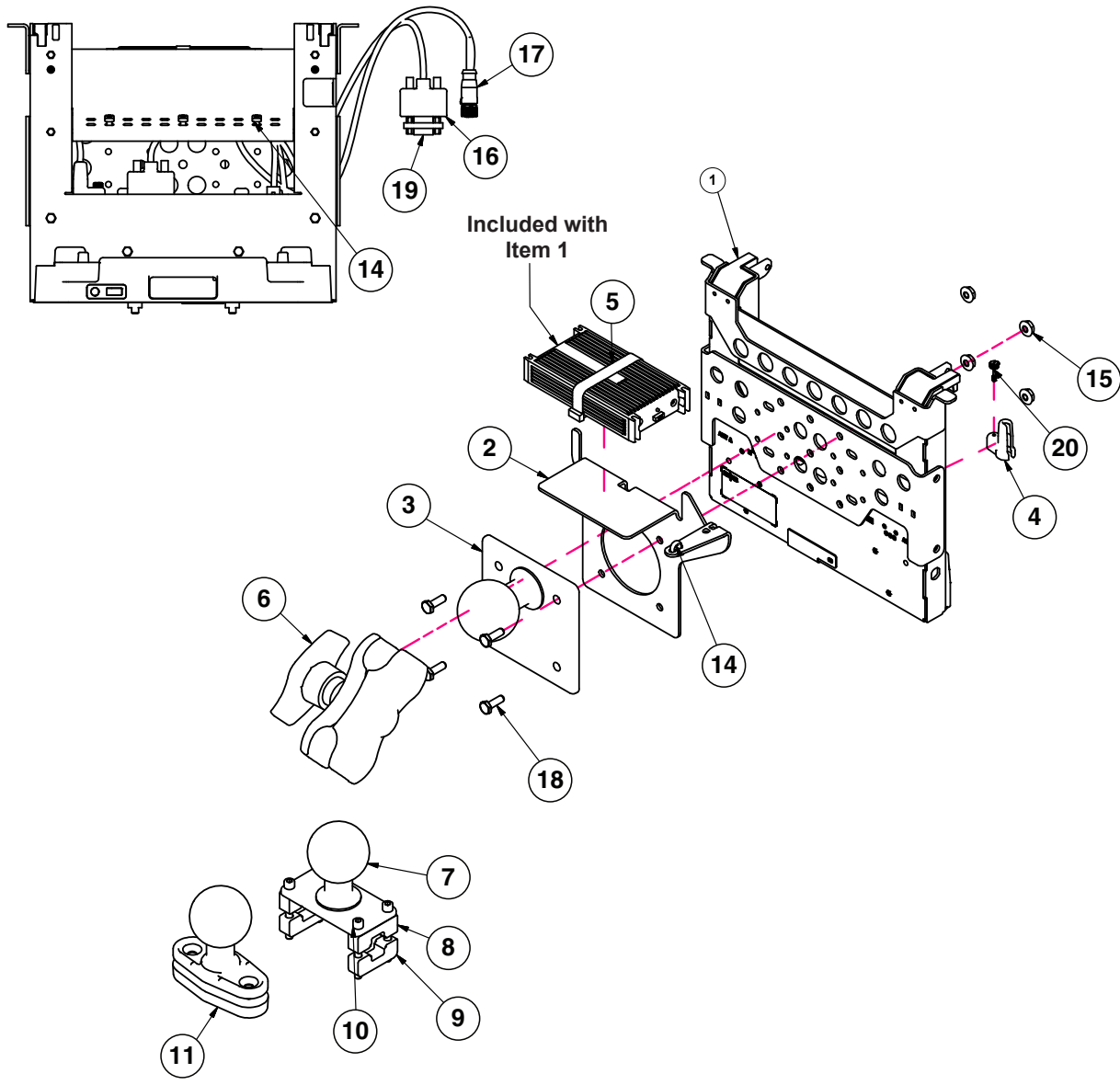
ITEM	PART NO.	QTY.	DESCRIPTION
1	GA21687	1	IPP Module Assembly
2	G10293301	1	IPP Module Bracket
3	G11091	3	Serrated Flange Nut, 3/8"-16
4	G10621	2	Serrated Flange Nut, 1/4"-20
5	G11387	3	Flat Washer, 3/8" SAE
6	G10001	3	Hex Head Cap Screw, 3/8"-16 x 1"
7	G11213	2	Hex Socket Head Cap Screw, 1/4"-20 x 3/4"

(101650)

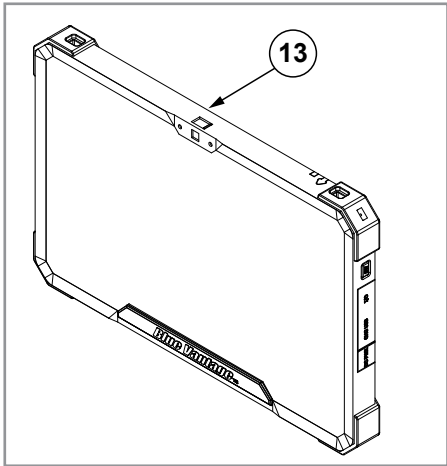


ITEM	PART NO.	QTY.	DESCRIPTION
1	G10020601	1	Sensor Bracket
2	G10064	5	Hex Head Cap Screw, 1/4"-20 x 1"
3	G10621	9	Serrated Flange Nut, 1/4"-20
4	G10040	4	Hex Head Cap Screw, 1/4"-20 x 1 3/4"
5	G10069801	1	Jump Start Sensor Bracket
6	G10448	1	Hex Head Cap Screw, 7/8"-9 x 2 1/2", Grade 8
7	G11393	1	Flat Washer, 7/8"
8	G10955	1	Hex Nut, 7/8"-9
9	G11385	4	Flat Washer, 1/4" SAE
10	G10087101	2	Back Plate, Cable Guard Bracket
11	G10072201	1	Speed Sensor Cable Guard Bracket
12	G10087201	2	Cable Plate

(A25406/A25408)

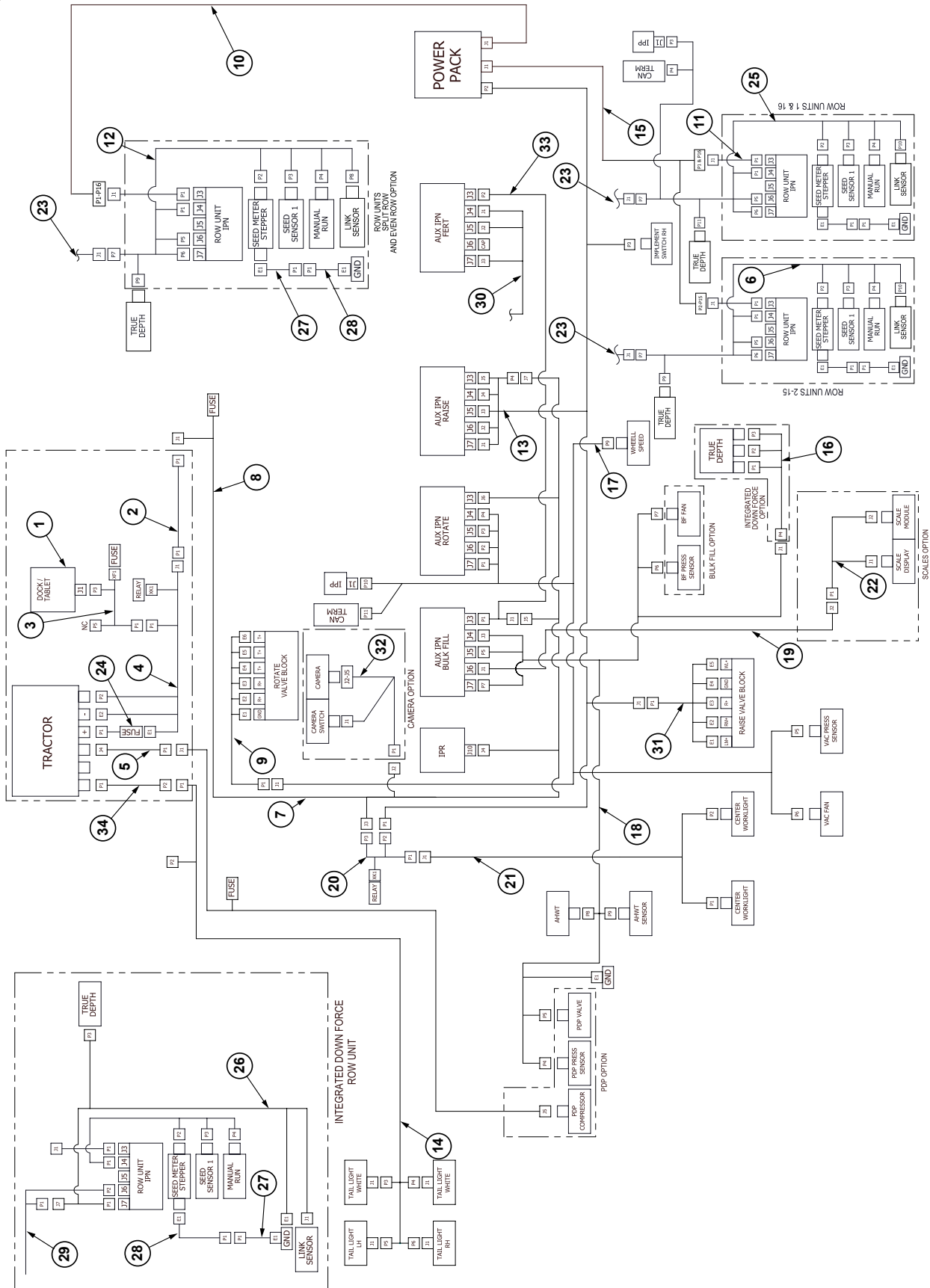


- 12**      **GPS Interface Package Includes:**
- (1)GPS Installation Sheet
  - (1)Meter Serial Ext. Cable
  - (1) 1600 AgLeader GPS Cable
  - (1) Trimble to Starfire Adapter Cable
  - (1) M/M DB9 Serial Connector
  - (1) F/F DB9 Serial Connector
  - (1) Null Modem M/F DB9 Conector
  - (1)GPS Harness



ITEM	PART NO.	QTY.	DESCRIPTION
1	GA24281	1	Docking Station
2	GD35216	1	Display Power Supply Mount
3	GD33756	1	Ram Ball, 2¼"
4	GD36723	1	Havis Station Cord Retainer
5	GD10544	1	Cable Tie, 45-1/2"
6	GA24285	1	Double Socket Ram Arm (Short)
7	GD33757	1	Ram Ball W/Plate, 2¼" Ball
8	GD33758	2	Ram Mount Clamp Block, Top
9	GD33759	2	Ram Mount Clamp Block, Bottom
10	G11106	4	Hex Socket Head Cap Screw, ¼"-20 x 2¼"
11	GA24284	1	Ram Ball W/Base, 2½" Ball
12	GA21143	1	GPS Interface Package
13	G10243001	1	Blue Vantage Display
14	GD1512	4	Cable Tie, 7-1/2"
15	G10621	4	Serrated Flange Nut, ¼"-20
16	GA25437	1	DB9 Cable F/F
17	GA25399-36	1	Ethernet Cable (RJ45-Female M12 STR), 36"
18	G10023	4	Hex Head Cap Screw, ¼"-20 x ¾"
19	GD35465	1	DB9 M/M Harness Adapter
20	GD36724	1	Thumb Screw, 4-40 x 0.281

(101656)

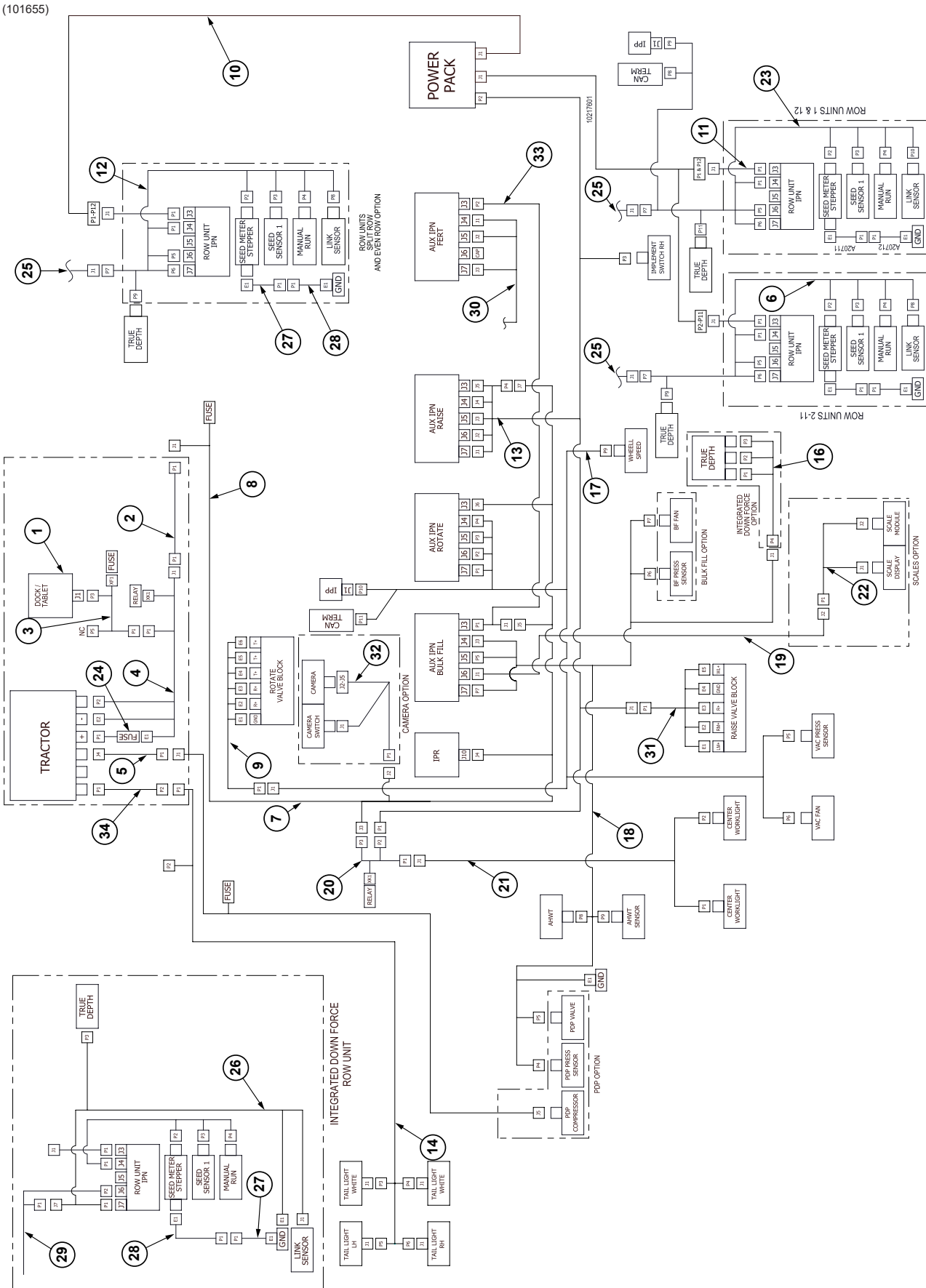




ITEM	PART NO.	QTY.	DESCRIPTION
1	G10243101	-	<a href="#">See "Blue Vantage Display" on page P233</a>
2	G10060901	-	Tractor Power Harness Extension, 10" (Included)
	G10060902	-	Tractor Power Harness Extension, 16" (Optional)
3	GA25031	-	Tractor Console Harness
4	GA25030	-	Tractor Power Harness
5	GA17547	-	Power Adapter Cable (Included)
	GA26751	-	Power Adapter Harness (Optional)
6	G10864901	-	Row Unit Seed Meter Harness
7	GA16392	-	Compressor Harness, 60'
8	G10338901	-	12V Power Harness
9	G10150201	-	3605 Rotation Harness Adapter
10	G10299101	-	3605 Split Row 24V Push Unit Power Harness
11	GA25029	-	Row Unit Power Harness Extension
12	G10884801	-	Push Unit Seed Meter Harness
13	G10380001	-	3605 Raise Plug-In Harness
14	G10316301	-	Tail Lights Harness
	GA25170	-	Tail Light Extension Harness
15	G10259801	-	3605 24V Row Unit Power Harness
16	GA26713	-	Integrated True Depth Harness
17	G10393101	-	3605 Rotation Plug-In Harness
18	G10515001	-	3605 Bulk Fill PDP AHWHT Harness
19	G10286101	-	Bulk Fill Scale Harness
20	GA22547	-	Worklight Relay Harness
21	G10171901	-	LED Worklight Harness
22	G10242801	-	Bulk Fill Scale CAN PHD28 Cable
23	G10887601	-	<a href="#">See "BV Liquid Fertilizer Interconnect" on pages P255-P256</a>
24	G10049501	-	Tractor Battery Connection Harness and Fuse Kit
25	G10864801	-	Row Unit Seed Meter Harness W/ IPP
26	GA26709	-	Integrated True Depth Row Unit Harness
27	GA20712	-	Row Unit ESD Drain Harness
28	GA20711	-	Seed Meter Motor ESD Drain Harness
29	GA25714	-	Fertilizer Flow Harness
30	G10851201	-	Fertilizer Module Harness
31	G10150301	-	3605 Raise Harness Adapter
32	G10269201	-	Camera Power Harness
33	G10698001	-	Fertilizer IPN Power Harness
34	GA25170	-	Tail Light Extension

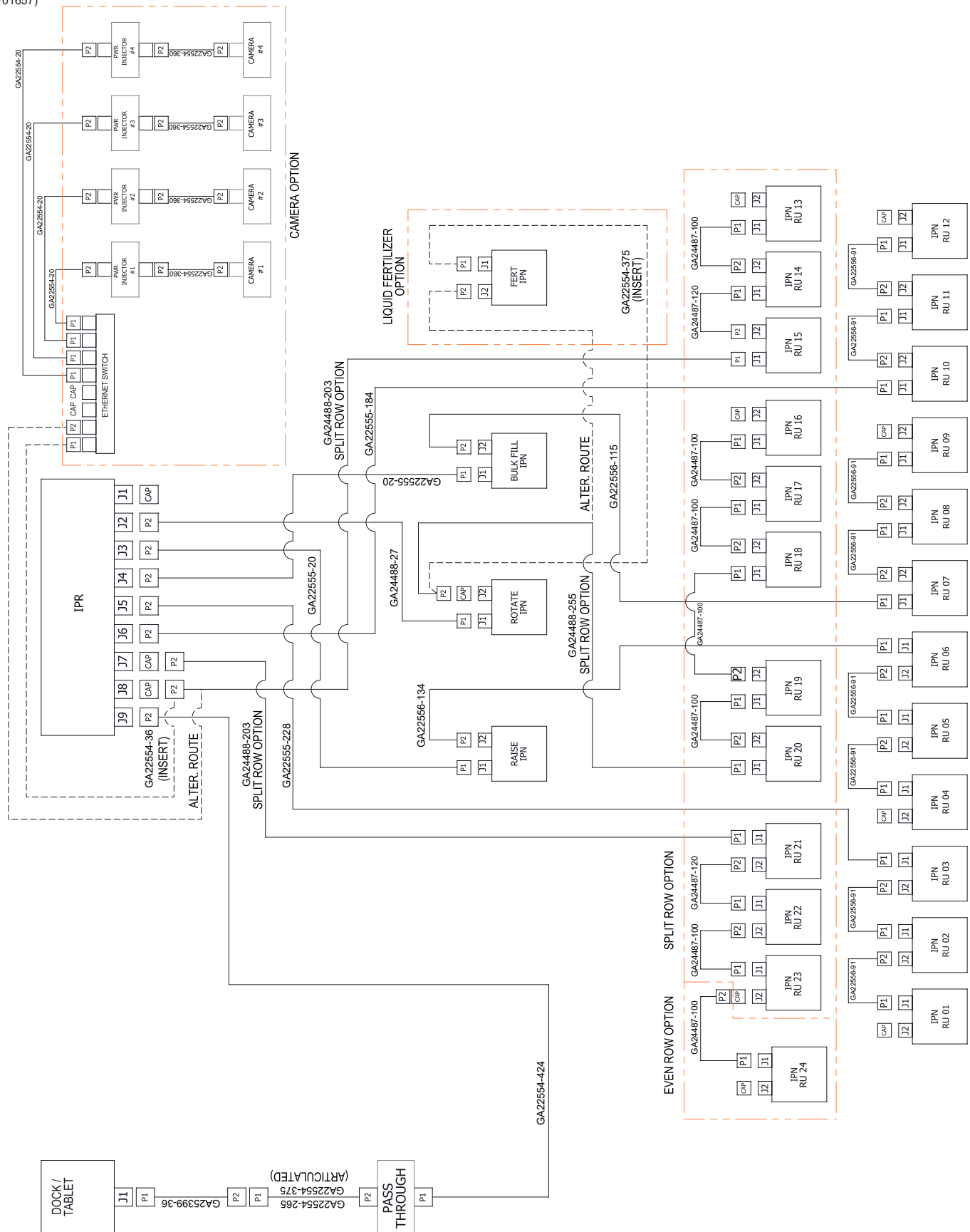


ITEM	PART NO.	QTY.	DESCRIPTION
-	A22554-20	-	ETHERNET CA CAT 5 (M12 STR-M12 STR) X 20"
-	A22554-265	-	Ethernet Cable (M12 STR-M12 STR), 265" (Included)
-	A22554-375	-	Ethernet Cable (M12 STR-M12 STR), 375" (Optional for Articulated Tractor)
-	A22554-36	-	ETHERNET CA CAT 5 (M12 STR 0 M12 STR) X 36
-	A22554-360	-	ETHERNET CA CAT 5 (M12 STR-M12 STR) X 360
-	A22554-533	-	ETHERNET CA CAT 5E (M12 STR-M12 STR) X 533
-	A22555-184	-	ETHERNET CA CAT 5E (M12 RA SPECIAL-M12 STR) X 184
-	A22555-20	-	ETHERNET CA CAT 5E (M12 RA SPECIAL-M12 STR) X 20
-	A22555-228	-	ETHERNET CA CAT 5E (M12 RA SPECIAL-M12 STR) X 228
-	A22556-115	-	ETHERNET CA CAT 5E (M12 RA SPECIAL-M12 RA SPECIAL) X 115
-	A22556-134	-	ETHERNET CA CAT 5E (M12 RA SPECIAL-M12 RA SPECIAL) X 134
-	A22556-91	-	ETHERNET CA CAT 5E (M12 RA SPECIAL-M12 RA SPECIAL) X 91
-	A24487-100	-	ETHERNET CA CAT 5E (M12 RA-M12 RA ) X 100
-	A24487-120	-	ETHERNET CA CAT 5E (M12 RA-M12 RA ) X 120
-	A24488-203	-	ETHERNET CA CAT 5E (M12 RA-M12 STR) X 203
-	A24488-255	-	ETHERNET CA CAT 5E (M12 RA-M12 STR) X 255
-	A24488-27	-	ETHERNET CA CAT 5E (M12 RA-M12 STR) X 27
-	A25399-36	-	ETHERNET CA CAT 5 (RJ45-FEMALE M12 STR) X 36



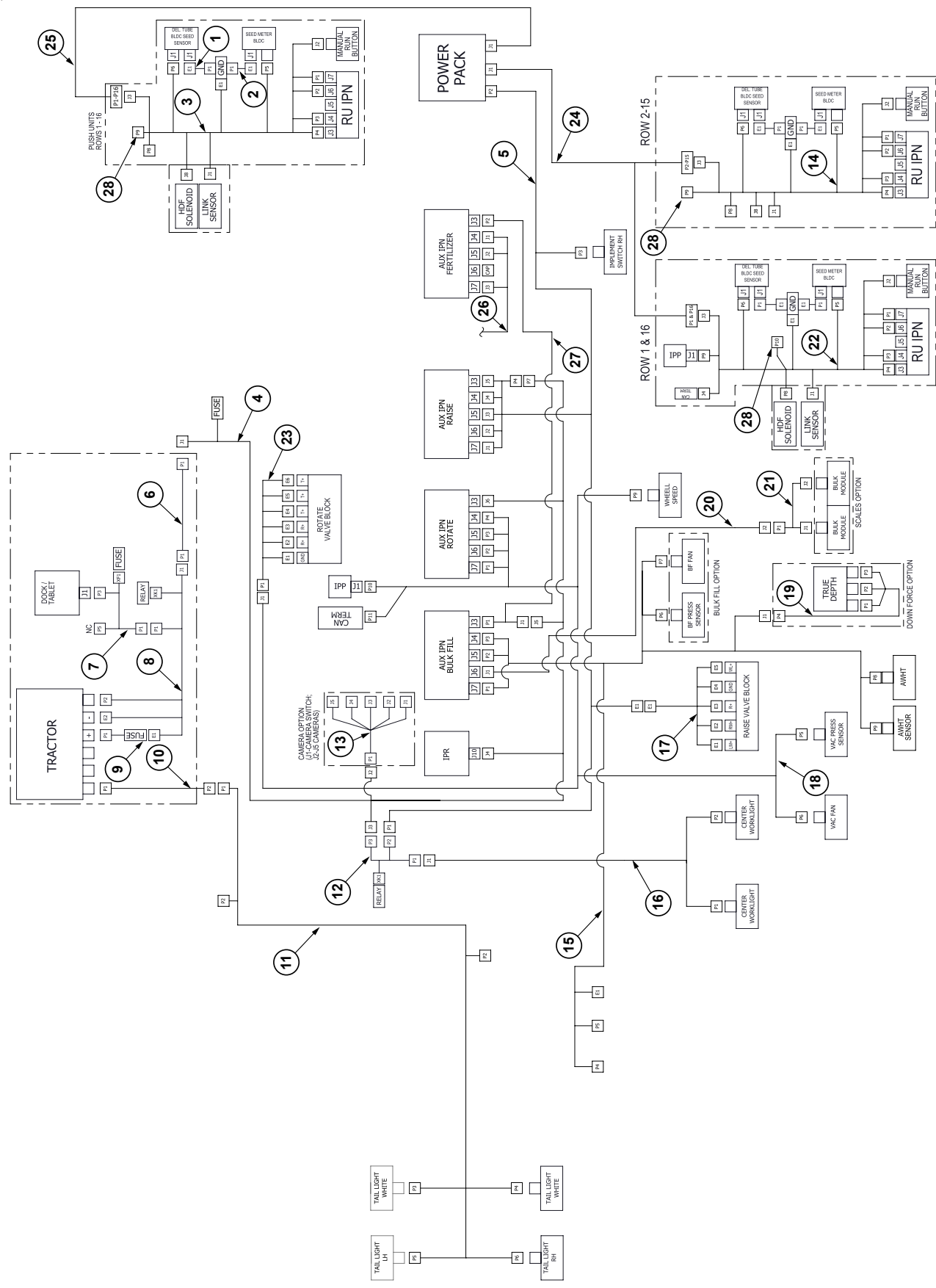
ITEM	PART NO.	QTY.	DESCRIPTION
1	G10243101	-	<a href="#">See "Blue Vantage Display" on page P233</a>
2	G10060901	-	Tractor Power Harness Extension, 10" (Included)
	G10060902	-	Tractor Power Harness Extension, 16" (Optional)
3	GA25031	-	Tractor Console Harness
4	GA25030	-	Tractor Power Harness
5	GA17547	-	Power Adapter Cable (Included)
	GA26751	-	Power Adapter Harness (Optional)
6	G10864901	-	Row Unit Seed Meter Harness
7	GA16392	-	Compressor Harness, 60'
8	G10358301	-	12V Power Harness
9	G10150201	-	3605 Rotation Harness Adapter
10	G10299201	-	3605 12 Row 70 cm 24V Split Row Push Unit Power Harness
11	GA25029	-	Row Unit Power Harness Extension
12	G10884801	-	Row Unit Seed Meter Harness
13	G10380001	-	3605 Raise Plug-In Harness
14	G10316301	-	Tail Lights Harness
	GA25170	-	Tail Light Extension Harness
15	G10217601	-	3605 12 Row 70 cm 24V Row Unit Power Harness
16	GA26713	-	Integrated True Depth Harness
17	G10393101	-	3605 Rotation Plug-In Harness
18	G10342401	-	3605 Bulk Fill PDP AHWI Harness
19	G10286102	-	Bulk Fill Scale Harness
20	GA22547	-	Worklight Relay Harness
21	G10171901	-	LED Worklight Harness
22	G10242801	-	Bulk Fill Scale CAN PHD28 Cable
23	G10864801	-	Row Unit Seed Meter Harness W/ IPP
24	G10049501	-	Tractor Battery Connection Harness and Fuse Kit
25	G10887701	-	<a href="#">See "BV Liquid Fertilizer Interconnect" on pages P254-P255</a>
26	GA26709	-	Integrated True Depth Row Unit Harness
27	GA20712	-	Row Unit ESD Drain Harness
28	GA20711	-	Seed Meter Motor ESD Drain Harness
29	GA25714	-	Fertilizer Flow Harness
30	G10851201	-	Fertilizer Module Harness
31	G10150301	-	3605 Raise Harness Adapter
32	G10269201	-	Camera Power Harness
33	G10698001	-	Fertilizer IPN Power Harness
34	GA25170	-	Tail Light Extension

(101657)



ITEM	PART NO.	QTY.	DESCRIPTION
-	A22554-20	-	ETHERNET CA CAT 5 (M12 STR-M12 STR) X 20"
-	A22554-265	-	Ethernet Cable (M12 STR-M12 STR), 265" (Included)
-	A22554-375	-	Ethernet Cable (M12 STR-M12 STR), 375" (Optional for Articulated Tractor)
-	A22554-36	-	ETHERNET CA CAT 5 (M12 STR 0 M12 STR) X 36
-	A22554-360	-	ETHERNET CA CAT 5 (M12 STR-M12 STR) X 360
-	A22554-424	-	ETHERNET CA CAT 5E (M12 STR-M12 STR) X 424
-	A22555-184	-	ETHERNET CA CAT 5E (M12 RA SPECIAL-M12 STR) X 184
-	A22555-20	-	ETHERNET CA CAT 5E (M12 RA SPECIAL-M12 STR) X 20
-	A22555-228	-	ETHERNET CA CAT 5E (M12 RA SPECIAL-M12 STR) X 228
-	A22556-115	-	ETHERNET CA CAT 5E (M12 RA SPECIAL-M12 RA SPECIAL) X 115
-	A22556-134	-	ETHERNET CA CAT 5E (M12 RA SPECIAL-M12 RA SPECIAL) X 134
-	A22556-91	-	ETHERNET CA CAT 5E (M12 RA SPECIAL-M12 RA SPECIAL) X 91
-	A24487-100	-	ETHERNET CA CAT 5E (M12 RA-M12 RA ) X 100
-	A24487-120	-	ETHERNET CA CAT 5E (M12 RA-M12 RA ) X 120
-	A24488-203	-	ETHERNET CA CAT 5E (M12 RA-M12 STR) X 203
-	A24488-255	-	ETHERNET CA CAT 5E (M12 RA-M12 STR) X 255
-	A24488-27	-	ETHERNET CA CAT 5E (M12 RA-M12 STR) X 27
-	A25399-36	-	ETHERNET CA CAT 5 (RJ45-FEMALE M12 STR) X 36

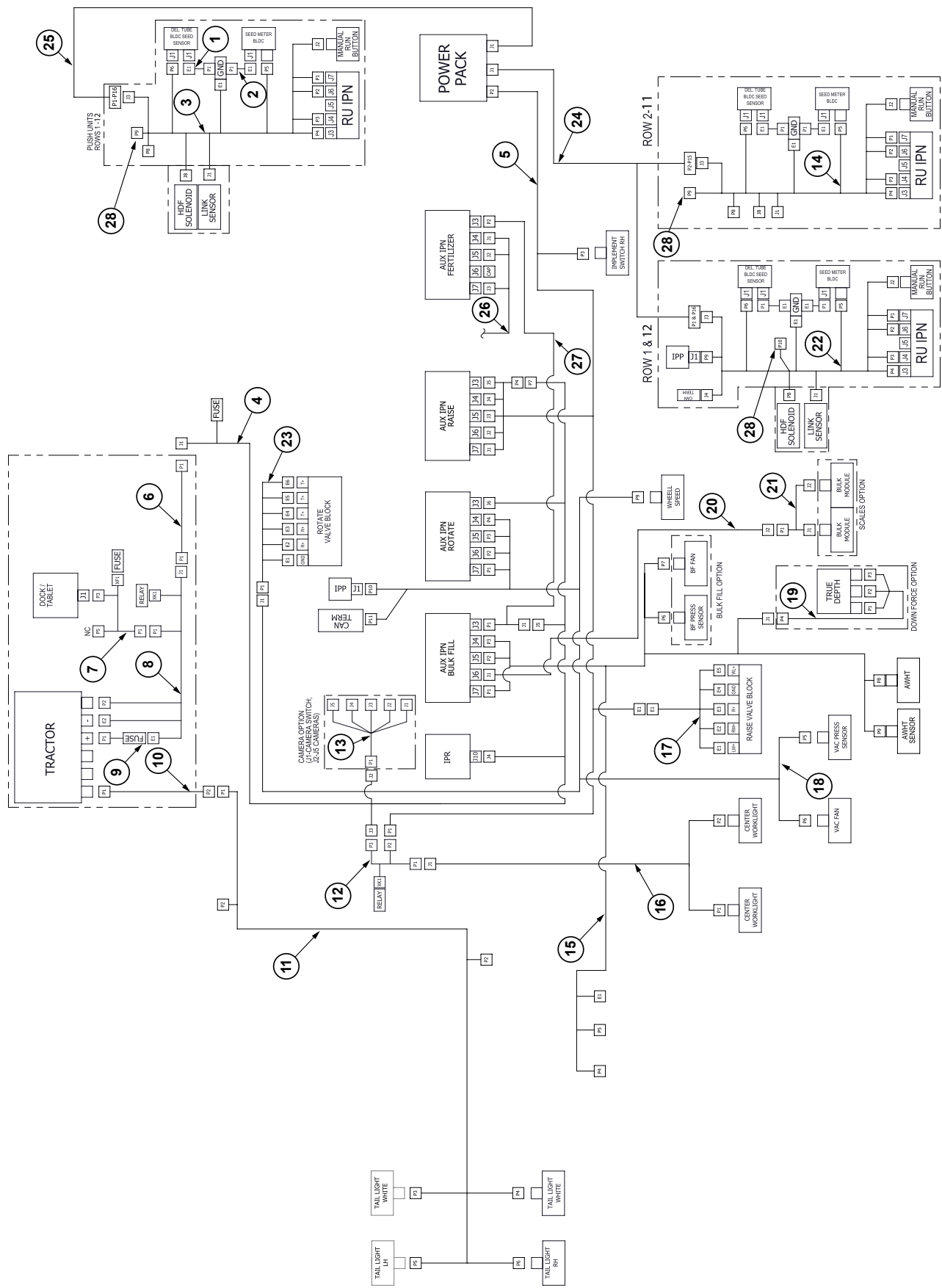
(103524)





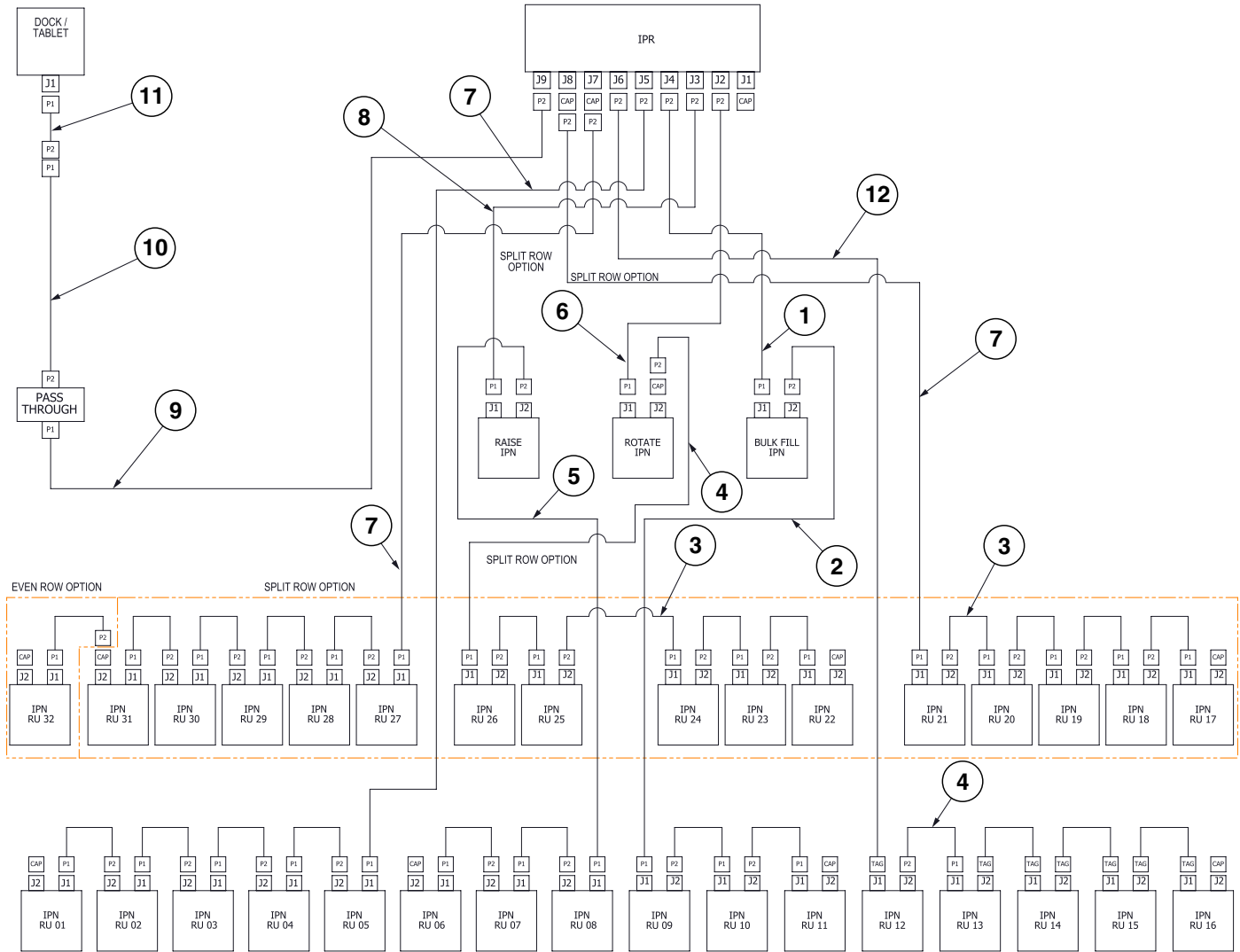
ITEM	PART NO.	QTY.	DESCRIPTION
1	G10213602	-	ESD Ground Strap Harness (True Speed)
	G10213502	-	ESD Ground Strap Harness (True Speed)
2	G10213601	-	ESD Ground Strap Harness (True Speed)
	G10213501	-	ESD Ground Strap Harness (True Speed)
3	G10864201	-	True Speed Push Unit Harness
4	G10338901	-	12V Power Harness
5	G10380001	-	3605 Plug-In Raise Harness
6	G10060901	-	Tractor Power Harness Extension, 10'
	G10060902	-	Tractor Power Harness Extension, 16'
7	GA25031	-	Tractor Console Harness
8	GA25030	-	Tractor Power Harness
9	G10049501	-	Tractor Battery Connection Harness And Fuse Kit
10	GA25170	-	Light Extension Harness (EU)
	GA25207	-	Tail Light Extension Harness (USA)
11	G10316301	-	3605 70CM Tail Lights Harness
12	GA22547	-	Worklight Relay Harness
13	G10269201	-	Camera Power Harness
14	G10864101	-	True Speed Pull Unit Harness
15	G10342401	-	3605 70CM BF PDP Active Hydraulic Weight Transfer Harness
16	G10171901	-	3605 LED Worklight Harness
17	G10150301	-	3605 Raise Harness Adapter
18	G10393101	-	3605 Rotate Plug-In Harness
19	GA26713	-	Integrated True Depth Harness
20	G10286102	-	CAN Stub Harness
21	G10242801	-	Bulk Fill Scale CAN Cable
22	G10864001	-	True Speed Row Unit Harness W/ IPP
23	G10150201	-	3605 Rotate Adapter Harness
24	G10259801	-	3605 16R70CM 24V Row Unit Power Harness
25	G10299101	-	3605 16R70CM 24V Push Unit Power Harness
26	G10851201	-	Fertilizer Module Harness
27	G10698001	-	Fertilizer IPN Power Harness
28	G10887601	-	Liquid Fertilizer Interconnect

(103524)



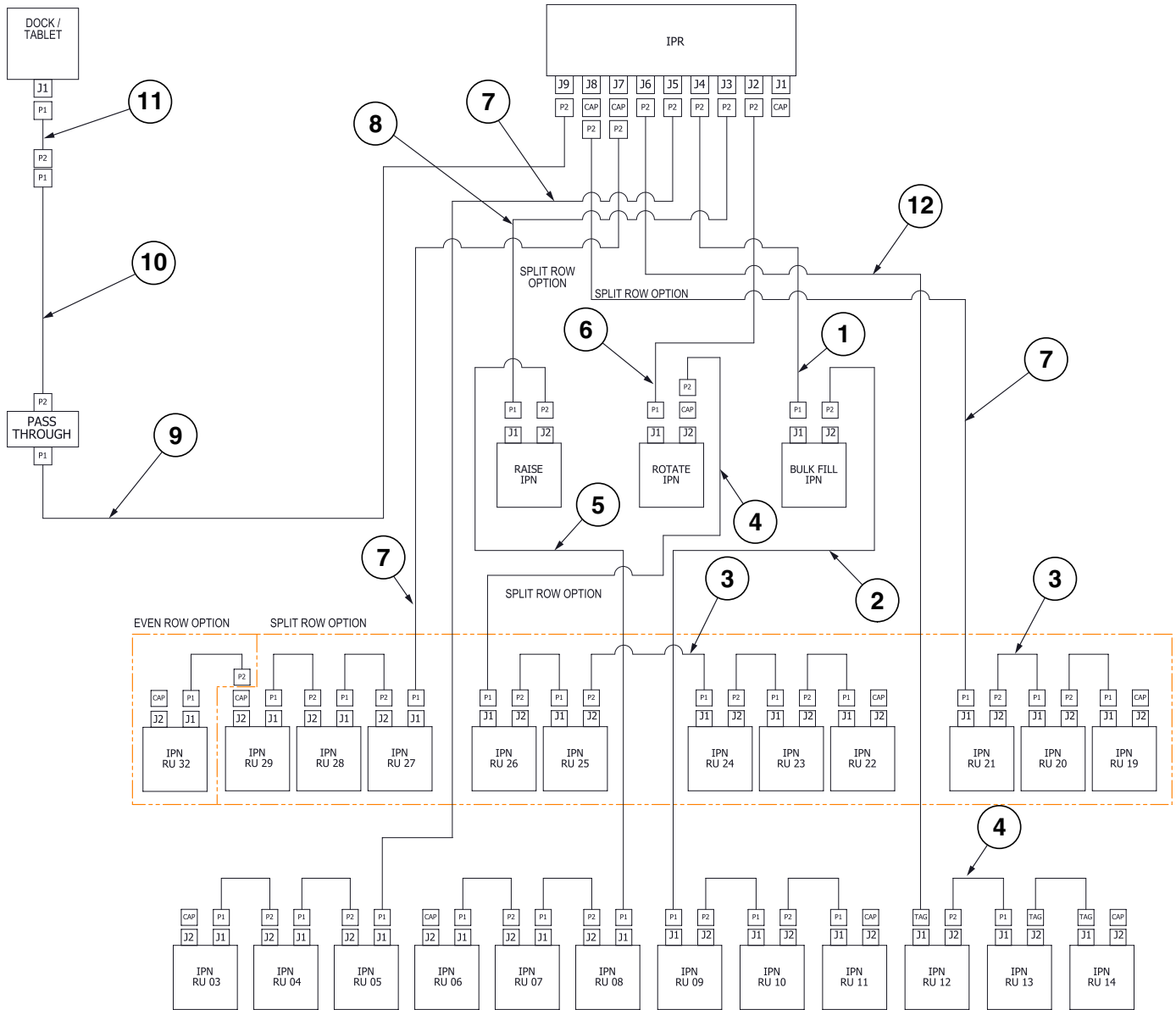
ITEM	PART NO.	QTY.	DESCRIPTION
1	G10213602	-	ESD Ground Strap Harness (True Speed)
2	G10213601	-	ESD Ground Strap Harness (True Speed)
3	G10864201	-	True Speed Push Unit Harness
4	G10358301	-	12V Power Harness
5	G10380001	-	3605 Plug-In Raise Harness
6	G10060901	-	Tractor Power Harness Extension, 10'
	G10060902	-	Tractor Power Harness Extension, 16'
7	GA25031	-	Tractor Console Harness
8	GA25030	-	Tractor Power Harness
9	G10049501	-	Tractor Battery Connection Harness And Fuse Kit
10	GA25170	-	Light Extension Harness (EU)
	GA25207	-	Tail Light Extension Harness (USA)
11	G10316301	-	3605 70CM Tail Lights Harness
12	GA22547	-	Worklight Relay Harness
13	G10269201	-	Camera Power Harness
14	G10864101	-	True Speed Pull Unit Harness
15	G10342401	-	3605 70CM BF PDP Active Hydraulic Weight Transfer Harness
16	G10171901	-	3605 LED Worklight Harness
17	G10150301	-	3605 Raise Harness Adapter
18	G10393101	-	3605 Rotate Plug-In Harness
19	GA26713	-	Integrated True Depth Harness
20	G10286102	-	CAN Stub Harness
21	G10242801	-	Bulk Fill Scale CAN Cable
22	G10864001	-	True Speed Row Unit Harness W/ IPP
23	G10150201	-	3605 Rotate Adapter Harness
24	G10217601	-	3605 12R70CM 24V Row Unit Power Harness
25	G10299201	-	3605 12R70CM 24V Push Unit Power Harness
26	G10851201	-	Fertilizer Module Harness
27	G10698001	-	Fertilizer IPN Power Harness
28	G10887601	-	Liquid Fertilizer Interconnect

(104059)



ITEM	PART NO.	QTY.	DESCRIPTION
1	GA22555-20	-	Ethernet Cable (M12 RA-M12 STR), 20"
2	GA22556-115	-	Ethernet Cable (M12 RA-M12 RA), 115"
3	GA22556-91	-	Ethernet Cable (M12 RA-M12 RA), 91"
4	GA22556-134	-	Ethernet Cable (M12 RA-M12 RA), 134"
5	GA22556-150	-	Ethernet Cable (M12 RA-M12 RA), 150"
6	GA24488-27	-	Ethernet Cable (M12 RA-M12 STR), 27"
7	GA22555-228	-	Ethernet Cable (M12 RA-M12 STR), 228"
8	GA22555-20	-	Ethernet Cable (M12 RA-M12 STR), 20"
9	GA22554-533	-	Ethernet Cable (M12 STR-M12 STR), 533"
10	GA22554-265	-	Ethernet Cable (M12 STR-M12 STR), 265"
	GA22554-375	-	Ethernet Cable (M12 STR-M12 STR), 375"
11	GA25399-36	-	Ethernet Cable (RJ45-Female M12 STR), 36"
12	GA22555-184	-	Ethernet Cable (M12 RA-M12 RA), 184"

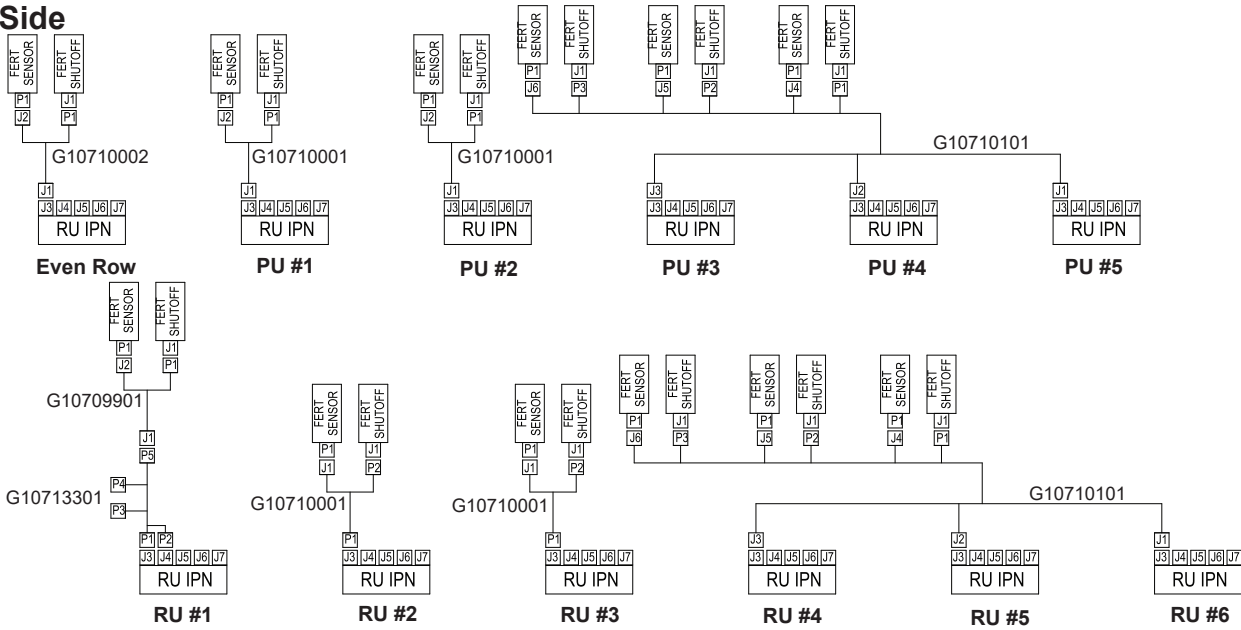
(104059)



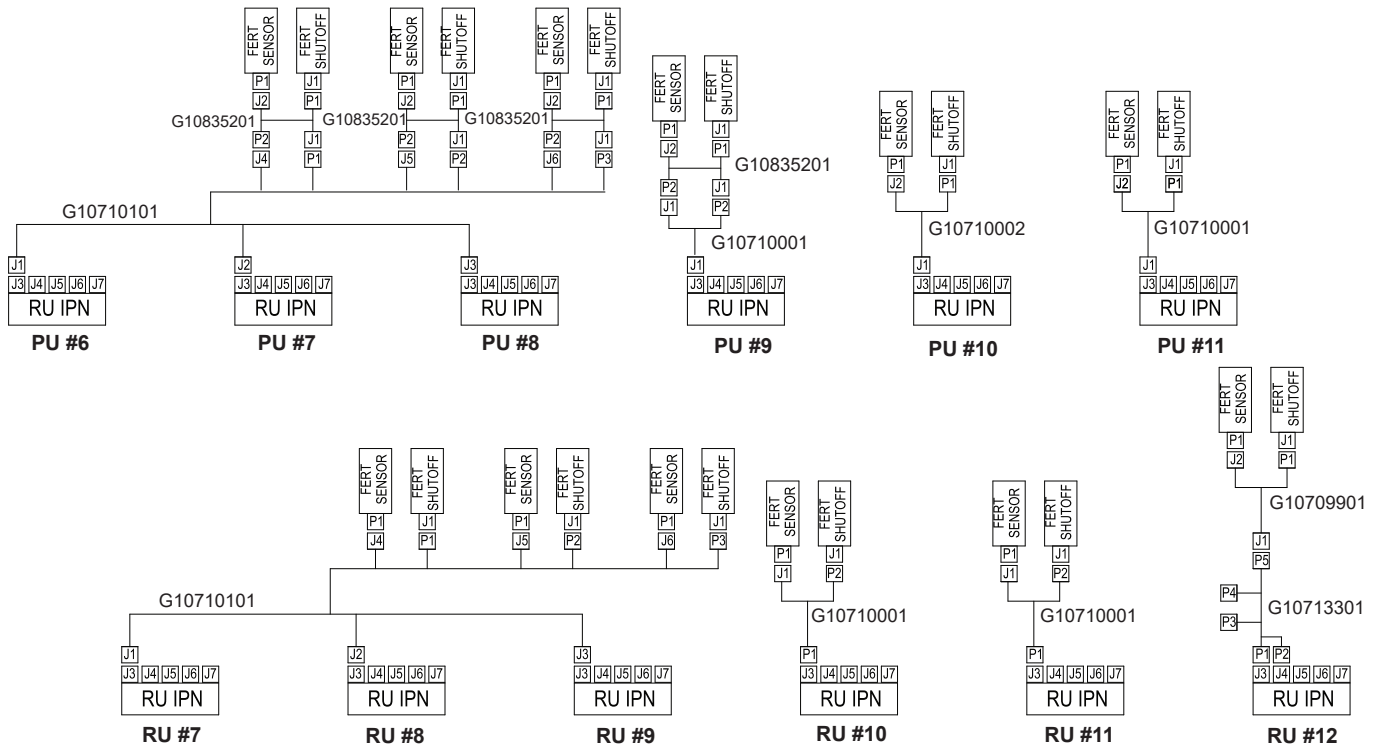
ITEM	PART NO.	QTY.	DESCRIPTION
1	GA22555-20	-	Ethernet Cable (M12 RA-M12 STR), 20"
2	GA22556-115	-	Ethernet Cable (M12 RA-M12 RA), 115"
3	GA22556-91	-	Ethernet Cable (M12 RA-M12 RA), 91"
4	GA22556-134	-	Ethernet Cable (M12 RA-M12 RA), 134"
5	GA22556-150	-	Ethernet Cable (M12 RA-M12 RA), 150"
6	GA24488-27	-	Ethernet Cable (M12 RA-M12 STR), 27"
7	GA22555-228	-	Ethernet Cable (M12 RA-M12 STR), 228"
8	GA22555-20	-	Ethernet Cable (M12 RA-M12 STR), 20"
9	GA22554-424	-	Ethernet Cable (M12 STR-M12 STR), 424"
10	GA22554-265	-	Ethernet Cable (M12 STR-M12 STR), 265"
	GA22554-375	-	Ethernet Cable (M12 STR-M12 STR), 375"
11	GA25399-36	-	Ethernet Cable (RJ45-Female M12 STR), 36"
12	GA22555-184	-	Ethernet Cable (M12 RA-M12 RA), 184"

(107110)

**L.H. Side**



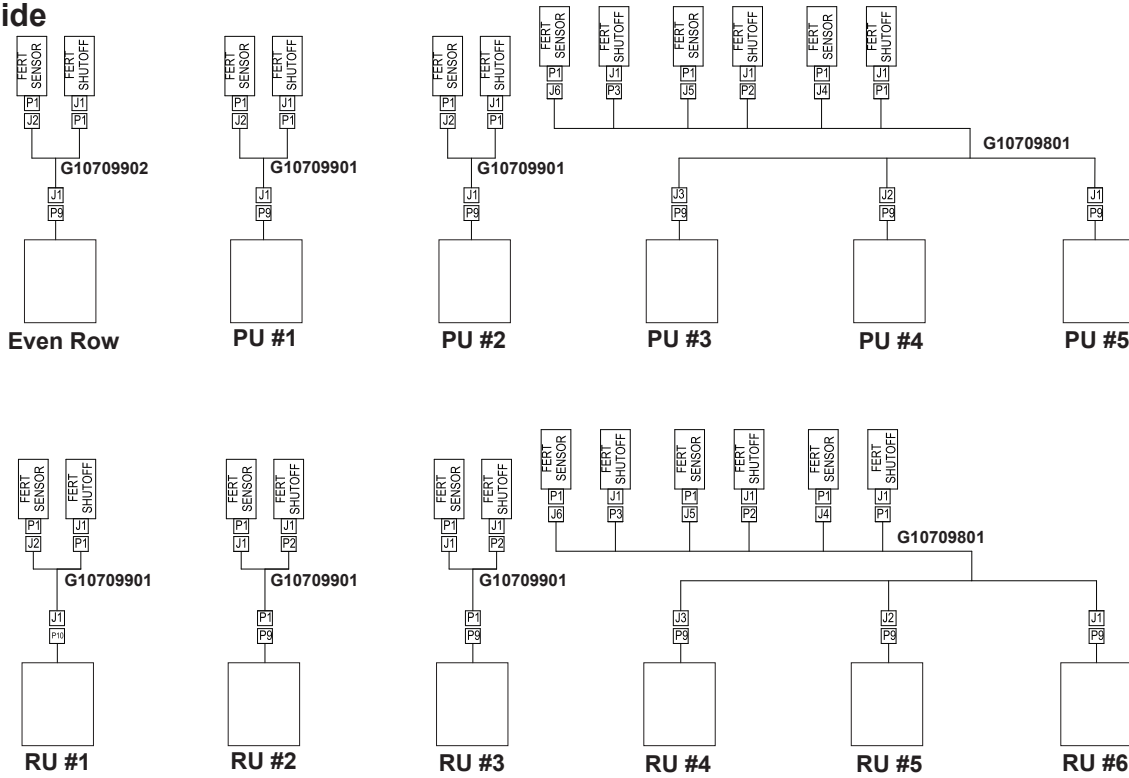
**R.H. Side**



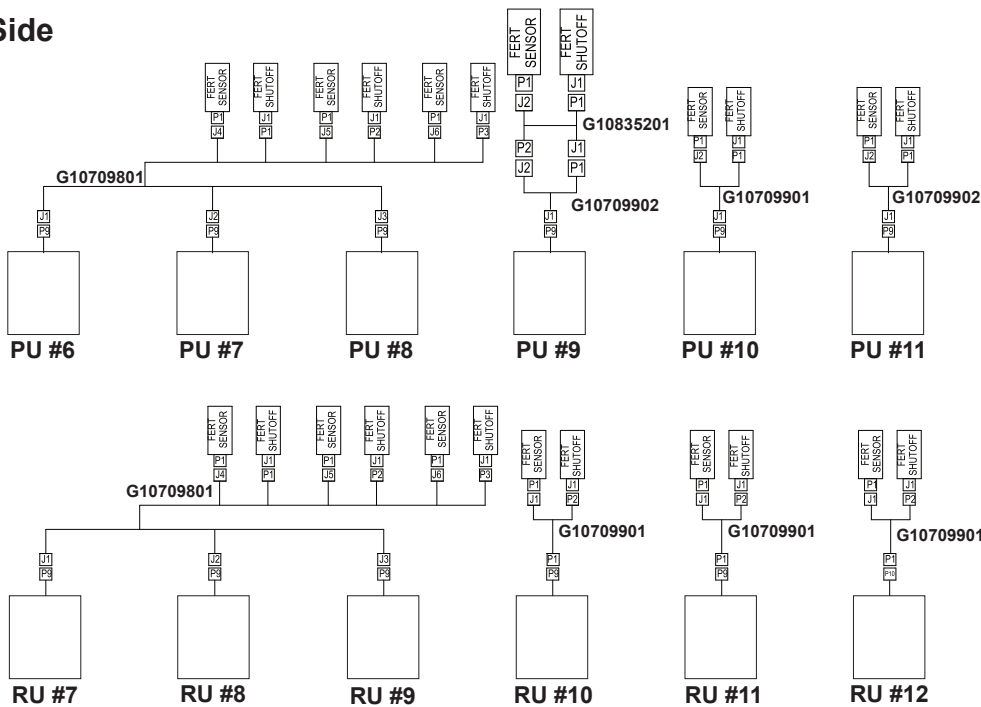
ITEM	PART NO.	QTY.	DESCRIPTION
-	G10710002	-	Fertilizer Flow Extended Harness, True Rate
-	G10710001	-	Fertilizer Flow Harness, True Rate
-	G10713301	-	Wing IPP Harness
-	G10710101	-	Fertilizer Flow Center Harness, True Rate
-	G10835201	-	Fertilizer Flow Harness Extension
-	G10709901	-	Fertilizer Flow Harness, True Speed

(107110)

**L.H. Side**



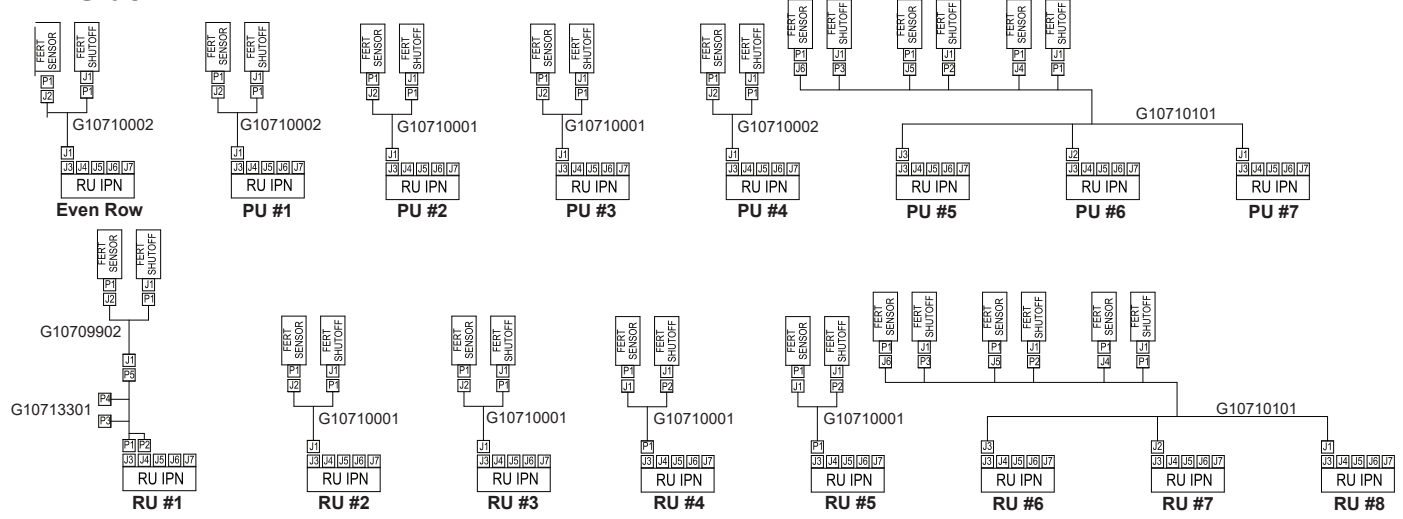
**R.H. Side**



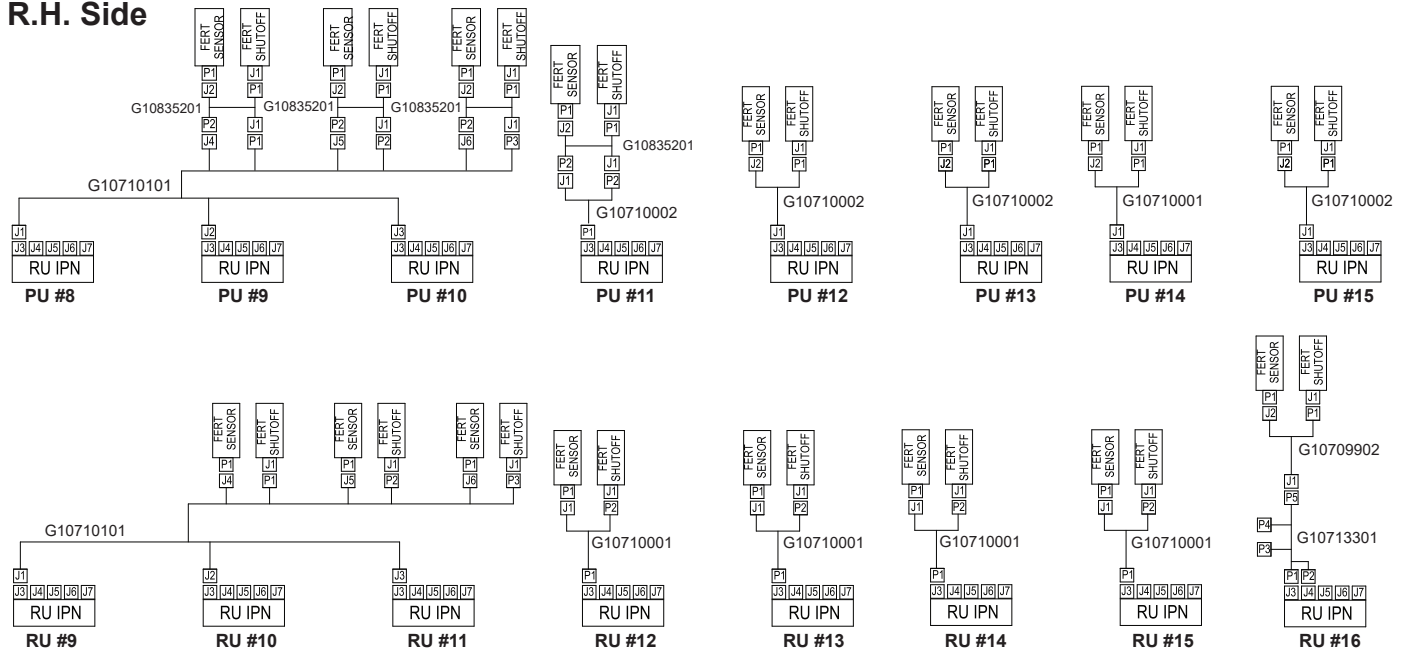
ITEM	PART NO.	QTY.	DESCRIPTION
-	G10709901	-	Fertilizer Flow Harness, True Speed
-	G10709902	-	Fertilizer Flow Extended Harness, True Speed
-	G10709801	-	Fertilizer Flow Center Harness, True Speed
-	G10835201	-	Fertilizer Flow Harness Extension

(107109)

**L.H. Side**



**R.H. Side**

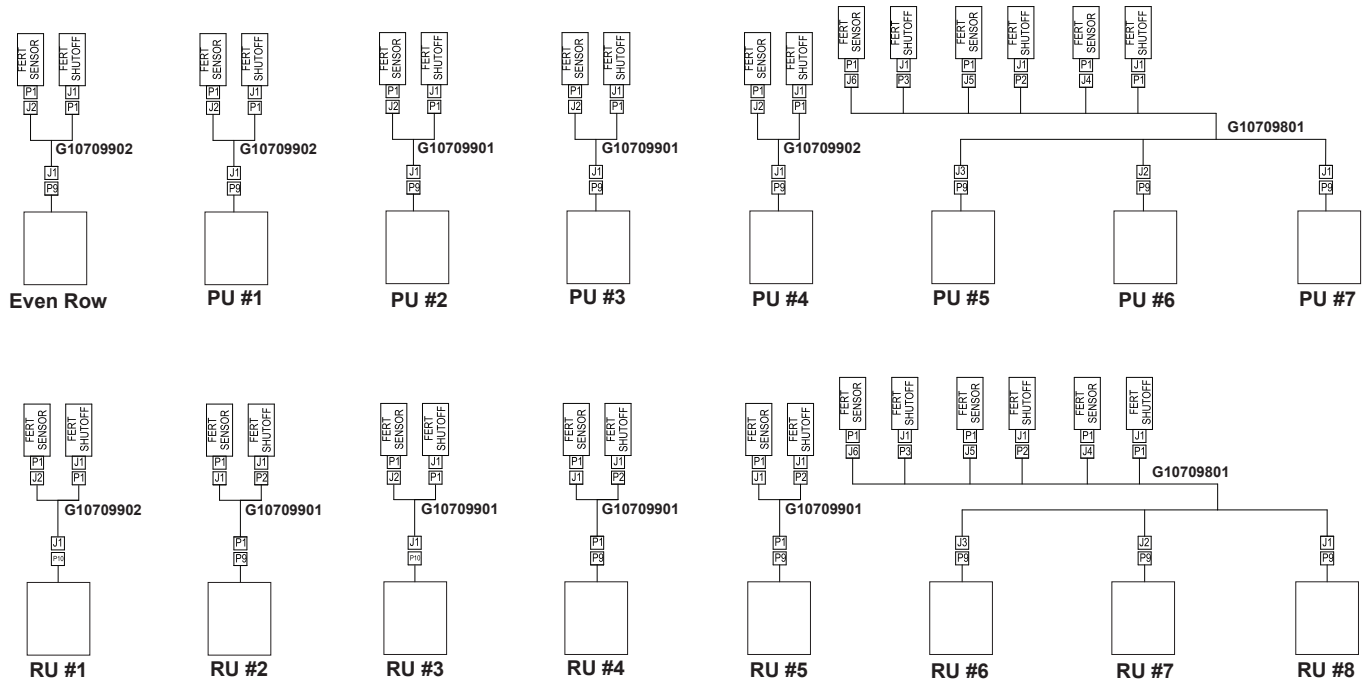


ITEM	PART NO.	QTY.	DESCRIPTION
-	G10710002	-	Fertilizer Flow Extended Harness, True Rate
-	G10710001	-	Fertilizer Flow Harness, True Rate
-	G10713301	-	Wing IPP Harness
-	G10710101	-	Fertilizer Flow Center Harness, True Rate
-	G10835201	-	Fertilizer Flow Harness Extension
-	G10709902	-	Fertilizer Flow Extended Harness, True Speed

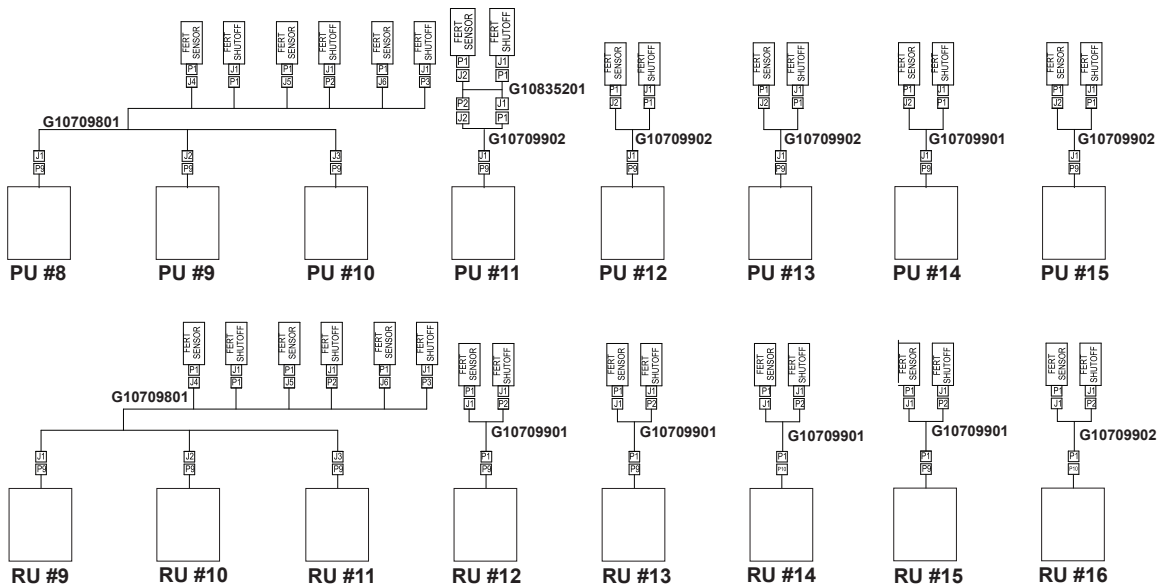


(107109)

L.H. Side



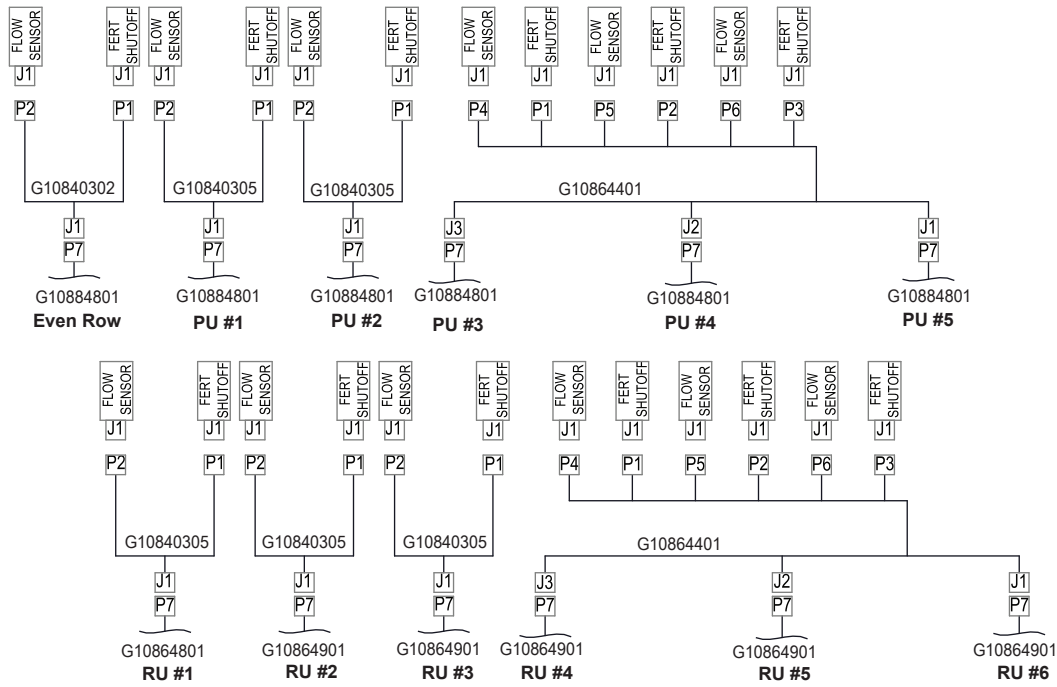
R.H. Side



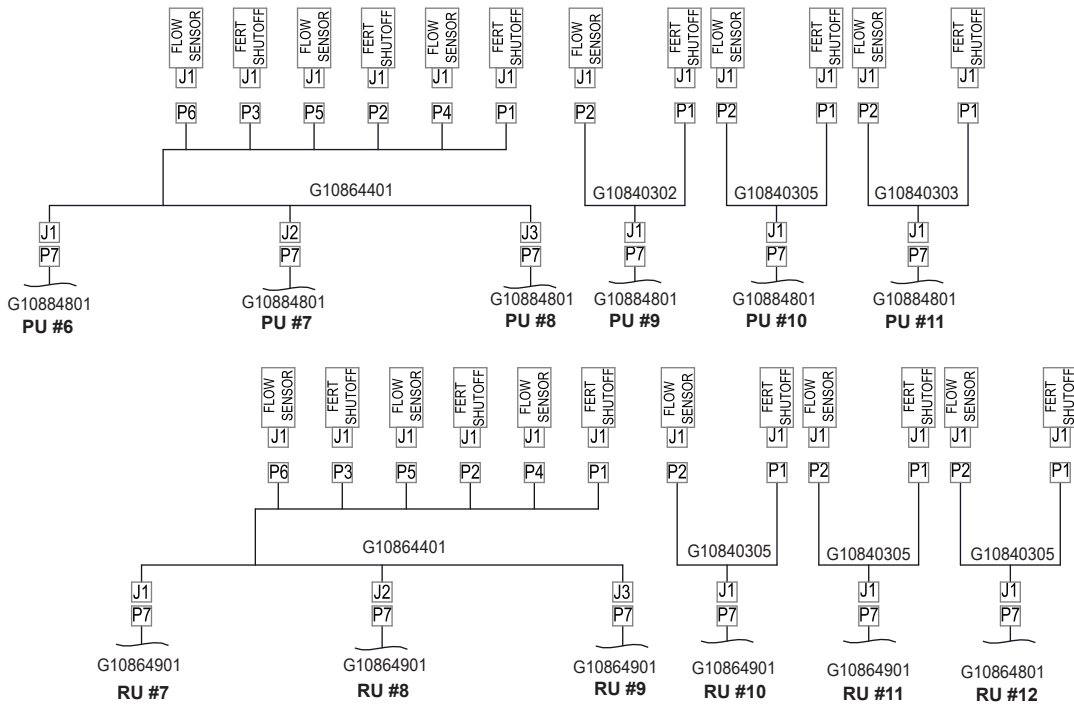
ITEM	PART NO.	QTY.	DESCRIPTION
-	G10709901	-	Fertilizer Flow Harness, True Speed
-	G10709902	-	Fertilizer Flow Extended Harness, True Speed
-	G10709801	-	Fertilizer Flow Center Harness, True Speed
-	G10835201	-	Fertilizer Flow Harness Extension

(108877)

**L.H. Side**



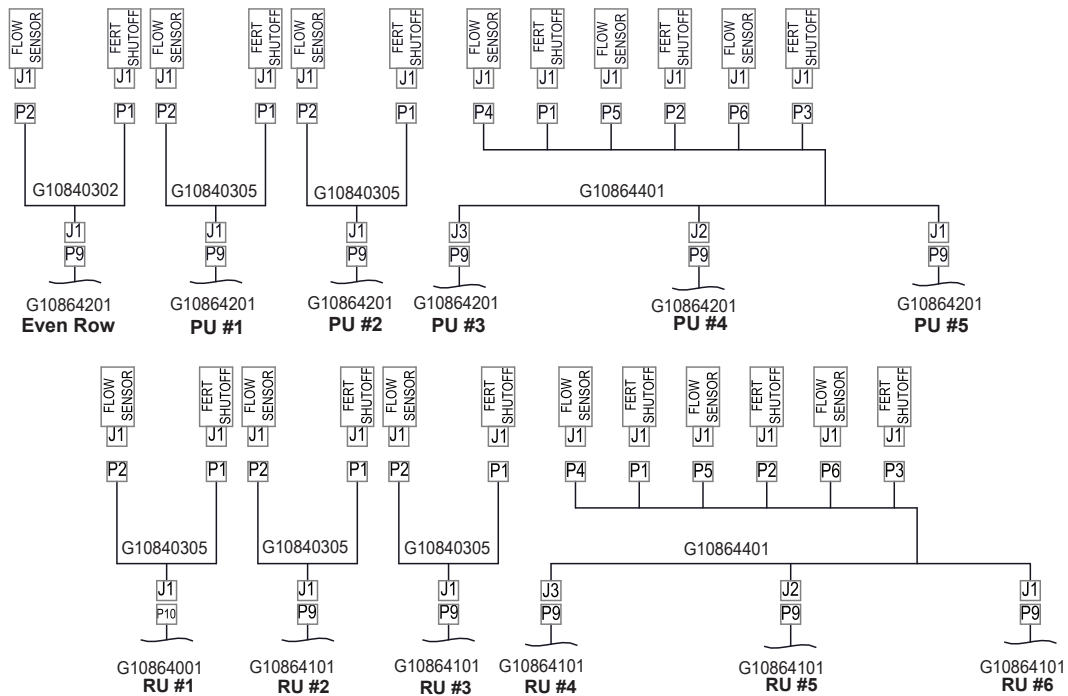
**R.H. Side**



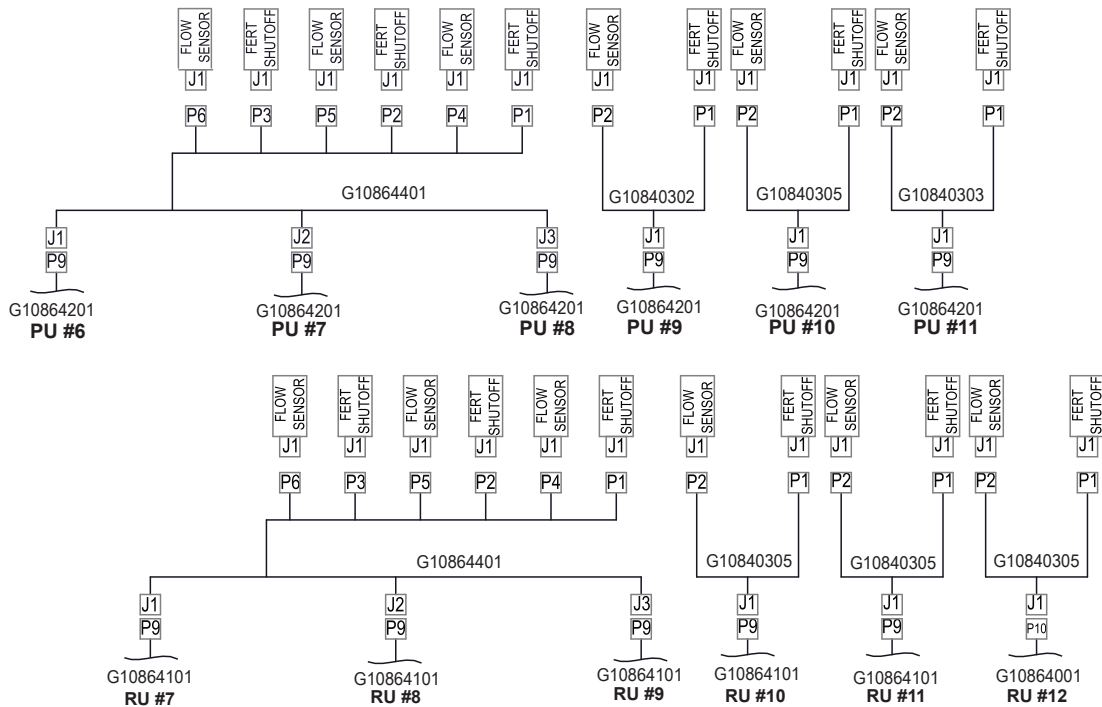
ITEM	PART NO.	QTY.	DESCRIPTION
-	G10840302	-	Fertilizer Row Unit Extension Harness, 114"
-	G10840305	-	Fertilizer Row Unit Extension Harness, 35"
-	G10864401	-	Fertilizer Flow Center Harness
-	G10840303	-	Fertilizer Row Unit Extension Harness, 66"
-	G10884801	-	Row Unit Seed Meter Harness
-	G10864801	-	Row Unit Seed Meter Harness W/ IPP
-	G10864901	-	Row Unit Seed Meter Harness

(108877)

**L.H. Side**



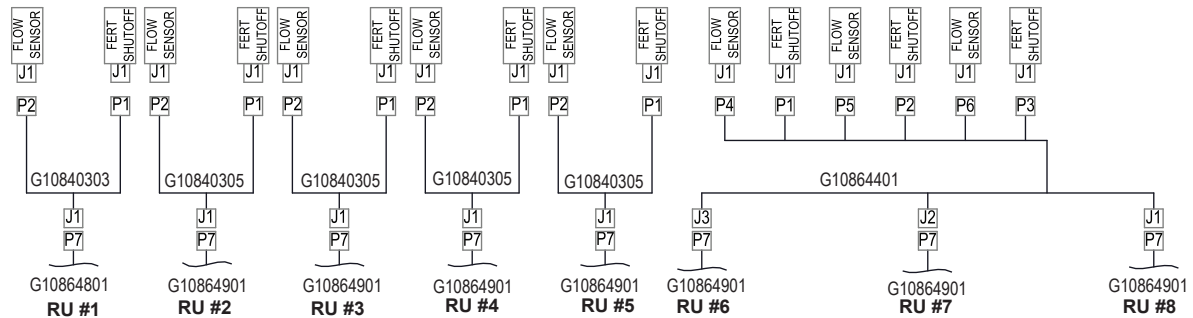
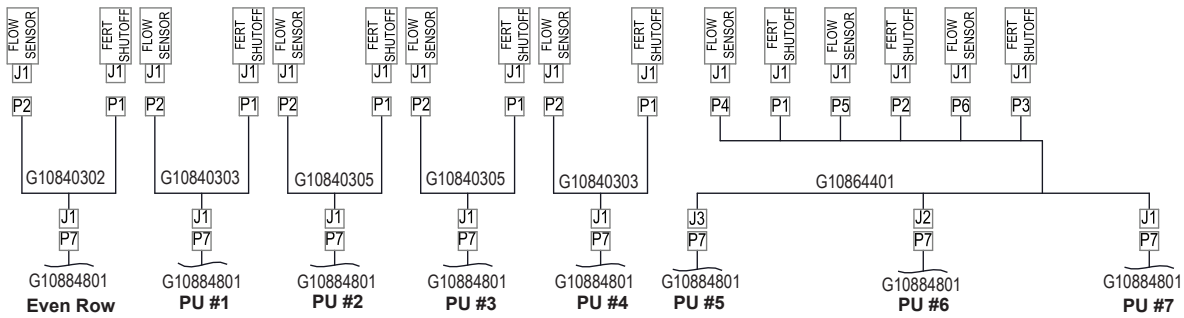
**R.H. Side**



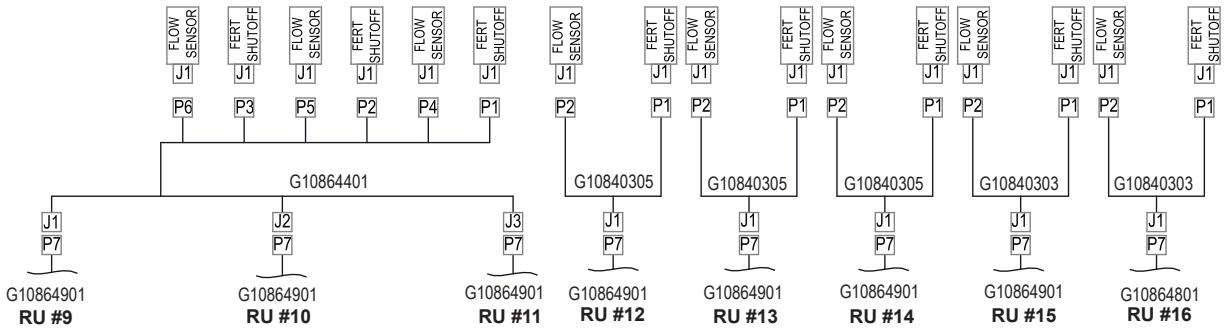
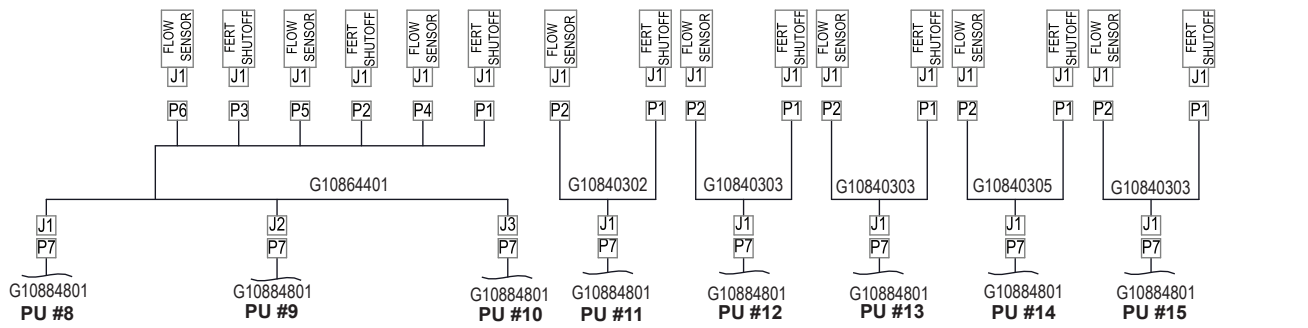
ITEM	PART NO.	QTY.	DESCRIPTION
-	G10840302	-	Fertilizer Row Unit Extension Harness, 114"
-	G10840305	-	Fertilizer Row Unit Extension Harness, 35"
-	G10864401	-	Fertilizer Flow Center Harness
-	G10840303	-	Fertilizer Row Unit Extension Harness, 66"
-	G10864201	-	True Speed Push Unit Harness
-	G10864001	-	True Speed Row Unit Harness W/ IPP
-	G10864101	-	True Speed Pull Unit Harness

(108876)

L.H. Side



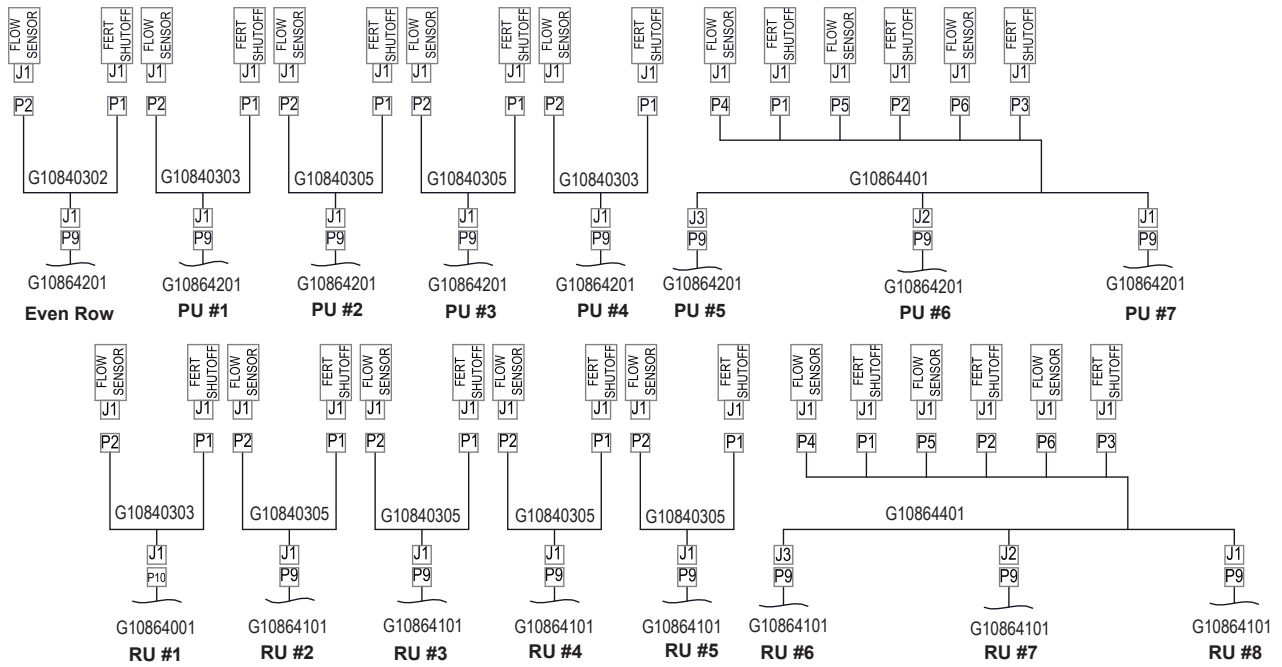
R.H. Side



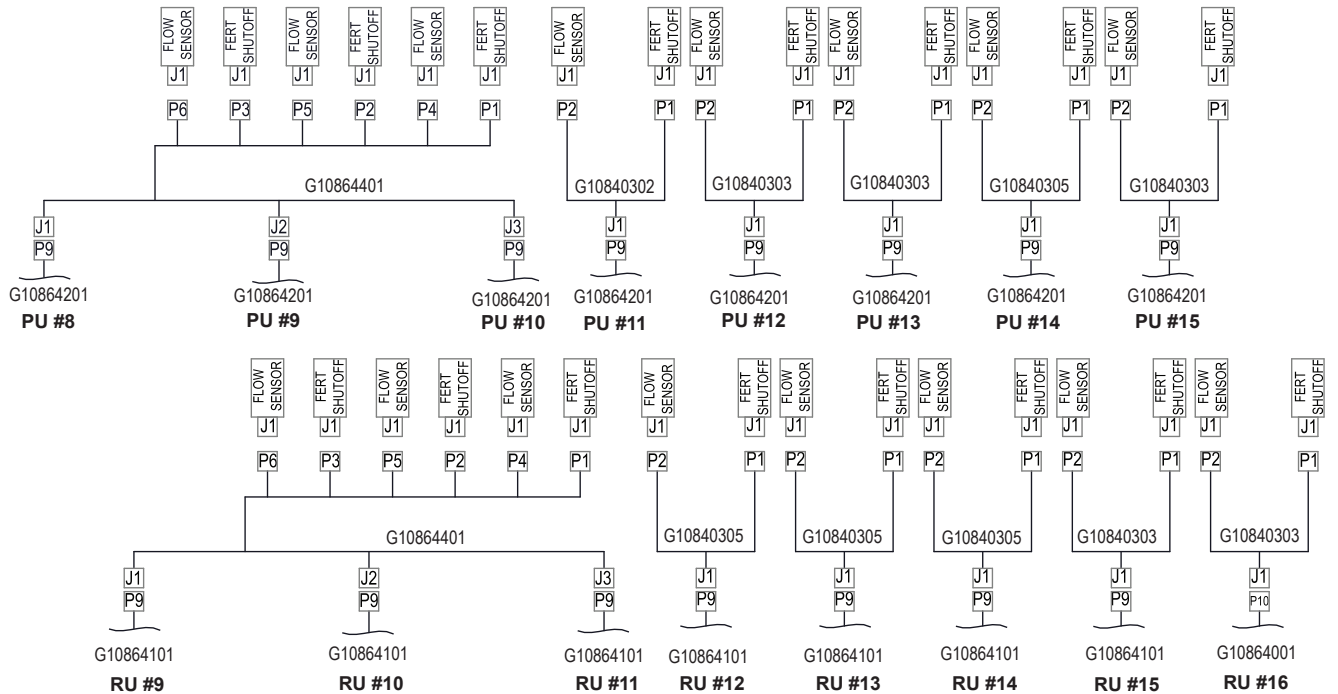
ITEM	PART NO.	QTY.	DESCRIPTION
-	G10840302	-	Fertilizer Row Unit Extension Harness, 114"
-	G10840303	-	Fertilizer Row Unit Extension Harness, 66"
-	G10840305	-	Fertilizer Row Unit Extension Harness, 35"
-	G10864401	-	Fertilizer Flow Center Harness
-	G10884801	-	Row Unit Seed Meter Harness
-	G10864801	-	Row Unit Seed Meter Harness W/ IPP
-	G10864901	-	Row Unit Seed Meter Harness

(108876)

**L.H. Side**

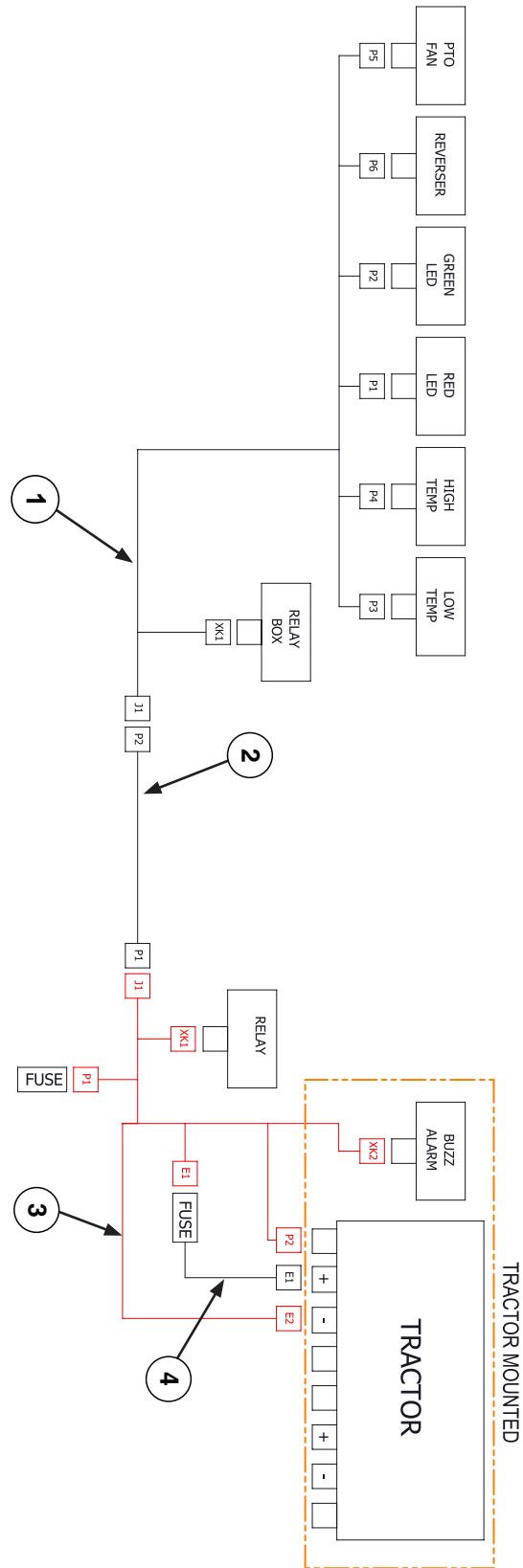


**R.H. Side**



ITEM	PART NO.	QTY.	DESCRIPTION
-	G10840302	-	Fertilizer Row Unit Extension Harness, 114"
-	G10840303	-	Fertilizer Row Unit Extension Harness, 66"
-	G10840305	-	Fertilizer Row Unit Extension Harness, 35"
-	G10864401	-	Fertilizer Flow Center Harness
-	G10864201	-	True Speed Push Unit Harness
-	G10864001	-	True Speed Row Unit Harness W/ IPP
-	G10864101	-	True Speed Pull Unit Harness

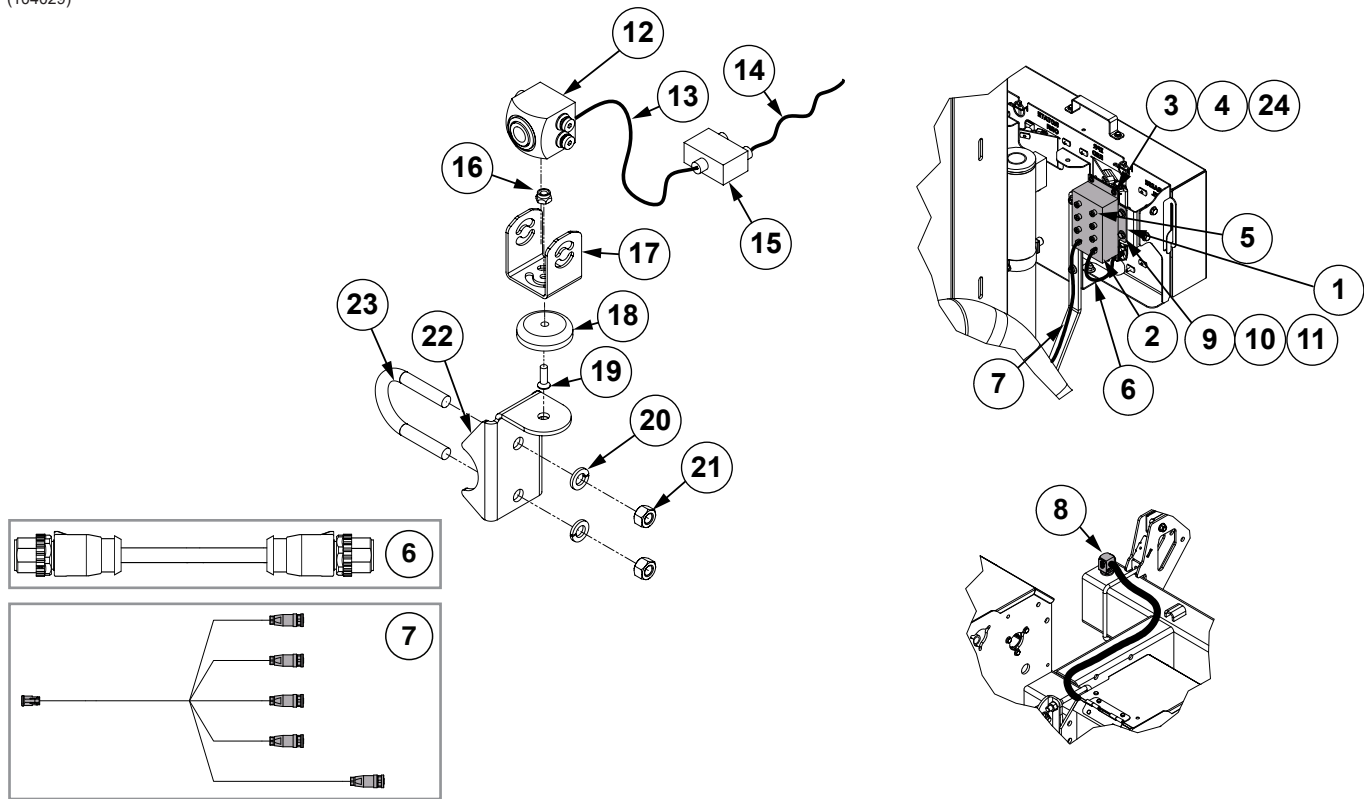
(104948)



---

ITEM	PART NO.	QTY.	DESCRIPTION
1	G10649801	-	PTO Harness
2	G10060901	-	Tractor Power 10' Extension Harness (Optional)
3	G10724901	-	PTO Tractor Power Harness
4	G10049501	-	Tractor Battery Connection Harness And Fuse Kit

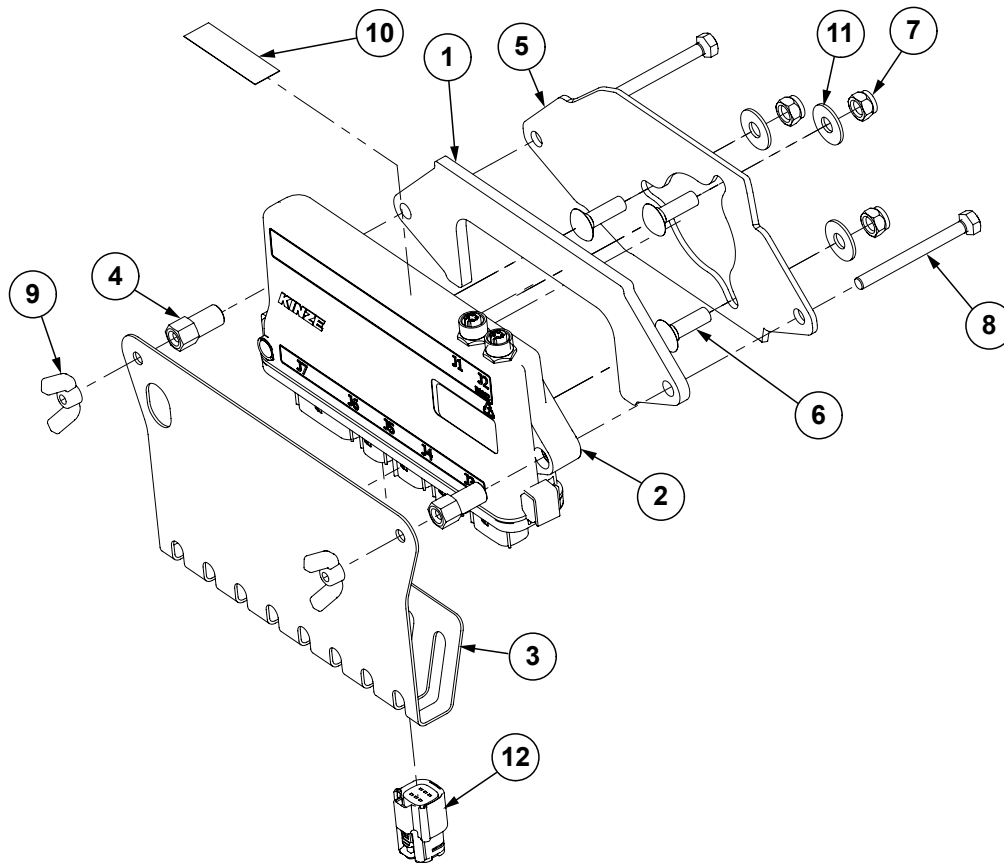
(104029)



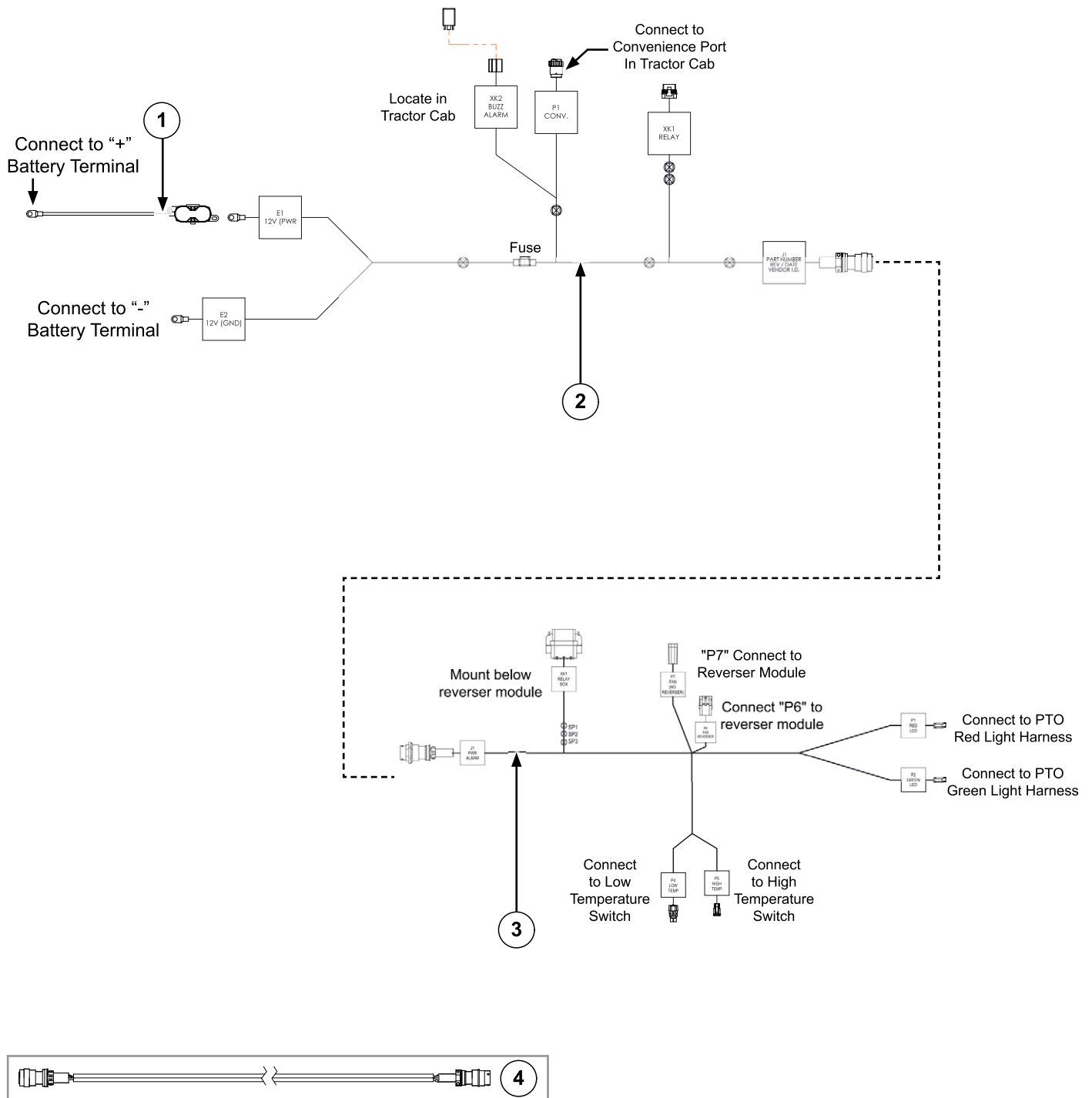
ITEM	PART NO.	QTY.	DESCRIPTION
1	G10374301	1	Ethernet Switch Bracket
2	G10375201	1	Ethernet Switch
3	G11341	4	Phillips Pan Head Machine Screw, No. 12-24 x 5/8", Stainless Steel
4	G11383	4	Flat Washer, #12
5	GD30726	9	Socket Dust Cover, M12
6	GA22554-36	1	Ethernet Cable (M12 STR-M12 STR), 36"
7	G10269201	1	Camera Power Harness
8	G10375003	1	Camera Package Assembly (Items 12-15)
9	G10001	2	Hex Head Cap Screw, 3/8"-16 x 1"
10	G11387	2	Flat Washer, 3/8" SAE
11	G11091	2	Serrated Flange Nut, 3/8"-16
12	10327501	1	Camera <b>(Not available as a spare part, order G10327701)</b>
13	GA22554-120	1	Ethernet Cable (M12 STR-M12 STR), 120"
14	GA22554-20	1	Ethernet Cable (M12 STR-M12 STR), 20"
15	G10375101	1	Ethernet Power Injector
16	G11616	1	Hex Nylon Lock Nut, No. 10-24, Grade 2
17	G10327301	1	Camera Bracket
18	G10327601	1	Camera Magnet
19	G11068	1	Phillips Flat Head Machine Screw, No. 10-24 x 5/8", Stainless Steel
20	G10229	2	Lock Washer, 3/8"
21	G10101	2	Hex Nut, 3/8"-16
22	GD26989	1	Work Light Bracket
23	GD27190	1	U-Bolt, 1-1/2" x 3/8"-16
24	G10375601	1	Hex Nut, #12-24
A	G10327701	-	Camera Assembly (Items 12, 16-19)



(106956)

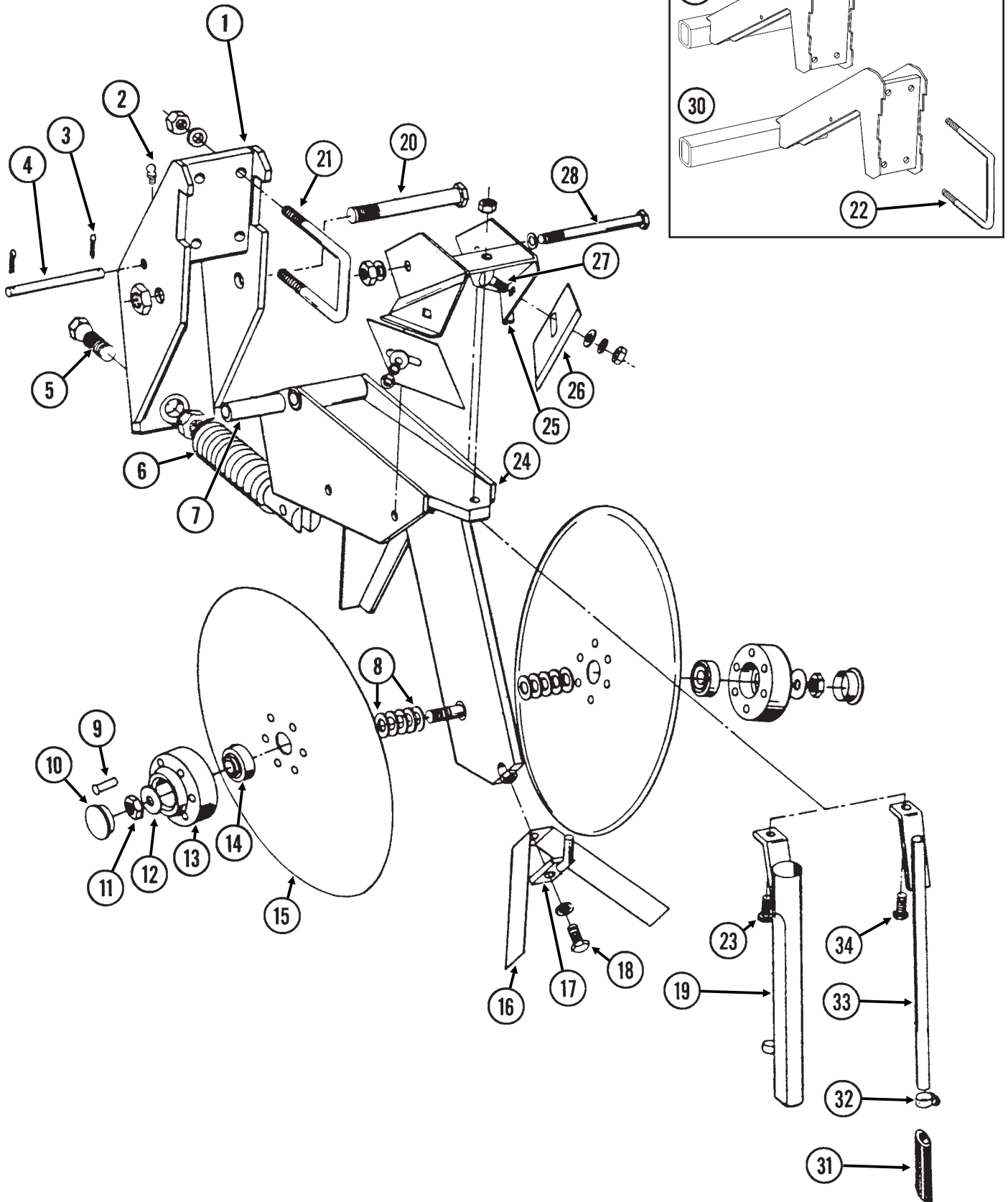


ITEM	PART NO.	QTY.	DESCRIPTION
1	GD35629	1	IPN Row Unit Plate
2	GA25949	1	IPN Module Assembly
3	GD35626	1	IPN Wire Shield
4	GD35609	2	Hex Standoff
5	G10695701	1	IPN Cover Plate
6	G10303	3	Carriage Bolt, 5/16"-18 x 1"
7	G10109	3	Lock Nut, 5/16"-18, Grade 8
8	G11958	2	Hex Head Cap Screw, 1/4"-20 x 2-1/2", Grade 5
9	G10531	2	Machine Bushing, 2-1/4" x 1-17/32", 12 Gauge (.1046")
10	G10371001	1	Decal, IPN/IPR Connector
11	G10219	3	Washer, 5/16" USS
12	GD35837	1	Sealed Plug, MX150, 2 x 3, Key A W/CPA



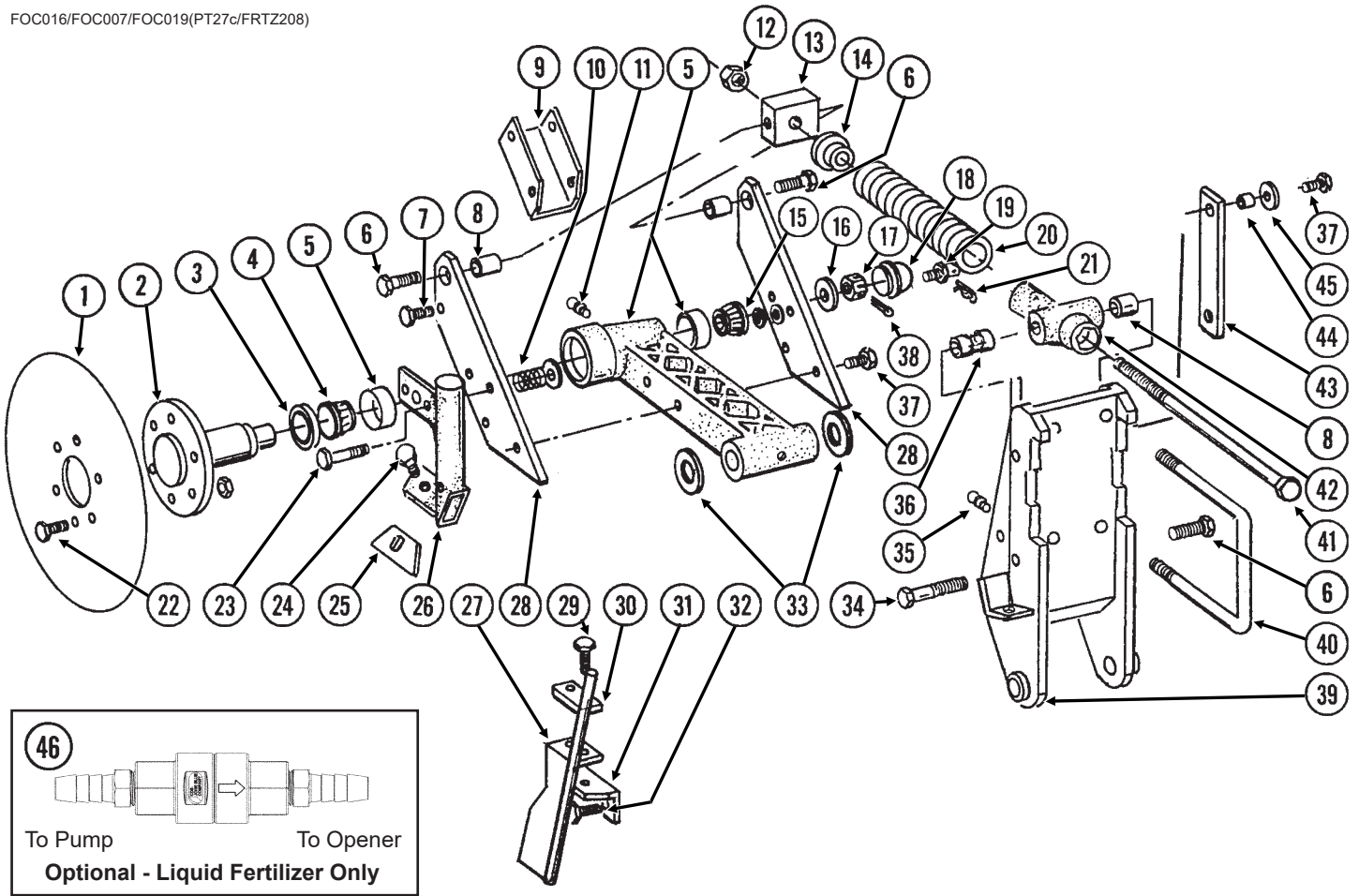
ITEM	PART NO.	QTY.	DESCRIPTION
1	G10049501	1	Tractor Battery Connection Harness and Fuse Kit
2	G10724901	1	Tractor Power Harness
3	G10357401	1	PTO Harness, 3000 Series (2022 Production)
	G10649801	1	PTO Harness, 3000 Series (2023 Production and on)
4	G10737701	-	PTO Extension Harness (Articulated Tractors)

FOC007(PT25e/TWL34a/FRTZ208)



ITEM	PART NO.	QTY. (Per Assy.)	DESCRIPTION
1	GA8483	1	Bracket
2	G10938	1	Grease Fitting, 1/4"-28, Taper Thread
3	G10451	2	Cotter Pin, 1/8" x 1"
4	GD1657	1	Lockup Pin
5	GD0962	1	Hex Head Adjusting Bolt, 5/8"-18 x 3/4"
	G10499	1	Hex Jam Nut, 5/8"-18, Grade 2
6	GA0328	1	Spring
7	GD0487	1	Bushing, 4 1/4" I.D. x 3 1/2" Long
8	GD30725	-	Machine Bushing, 5/8" (.030" Thick)
9	G10542	12	Rivet, 1/4" x 1 5/16"
10	GD1132	2	Dust Cap
11	G10503	1	Hex Jam Nut, 5/8"-11, Grade 2
	G10504	1	Hex Jam Nut, 5/8"-11, L.H. Threads, Grade 2
12	G10204	2	Special Machine Bushing, 5/8" x 1" O.D.
13	GB0134	2	Hub
14	GA2014	2	Bearing
15	GD11306	2	Disc Blade, 3.5 mm x 15"
16	GD2589	1	Inner Scraper
17	GA0312	1	Mount
18	G10019	1	Hex Head Cap Screw, 5/16"-18 x 1"
	G10232	1	Lock Washer, 5/16"
19	GA1369	-	Drop Tube, Dry Fertilizer
20	G10046	1	Hex Head Cap Screw, 5/8"-11 x 5"
	G10107	1	Lock Nut, 5/8"-11
21	GD1138	2	U-Bolt, 2 1/2" x 2 1/2" x 1/2"-13
	G11389	4	Flat Washer, 1/2" Plated SAE
	G10111	4	Lock Nut, 1/2"-13
22	GD1113	2	U-Bolt, 5" x 7" x 5/8"-11
	G10230	4	Lock Washer, 5/8"
	G10104	4	Hex Nut, 5/8"-11
23	G10133	1	Hex Head Cap Screw, 5/16"-18 x 1 1/2"
	G11386	1	Flat Washer, 5/16" SAE
	G10109	1	Lock Nut, 5/16"-18, Grade 8
24	GA9195	1	Shank
25	GA0810	1	Scraper Mount
26	GD1673	2	Scraper
27	G10305	2	Carriage Bolt, 3/8"-16 x 1"
	G11387	2	Flat Washer, 3/8" SAE
	G10229	2	Lock Washer, 3/8"
	G10101	2	Hex Nut, 3/8"-16
28	G10045	1	Hex Head Cap Screw, 1/2"-13 x 4 1/2"
	G10111	1	Lock Nut, 1/2"-13
29	GA9820	1	Opener Mount
30	GA9819	1	Opener Mount
31	GD11705	-	Extension
32	G10681	-	Hose Clamp, No. 6
33	GA8685	-	Drop Tube, Liquid Fertilizer
34	G10133	1	Hex Head Cap Screw, 5/16"-18 x 1 1/2"
	G11386	1	Flat Washer, 5/16" SAE
	G10109	1	Lock Nut, 5/16"-18, Grade 8
A	GA8845	-	Disc Blade And Bearing Assembly (Items 9 And 13-15)

FOC016/FOC007/FOC019(PT27c/FRTZ208)

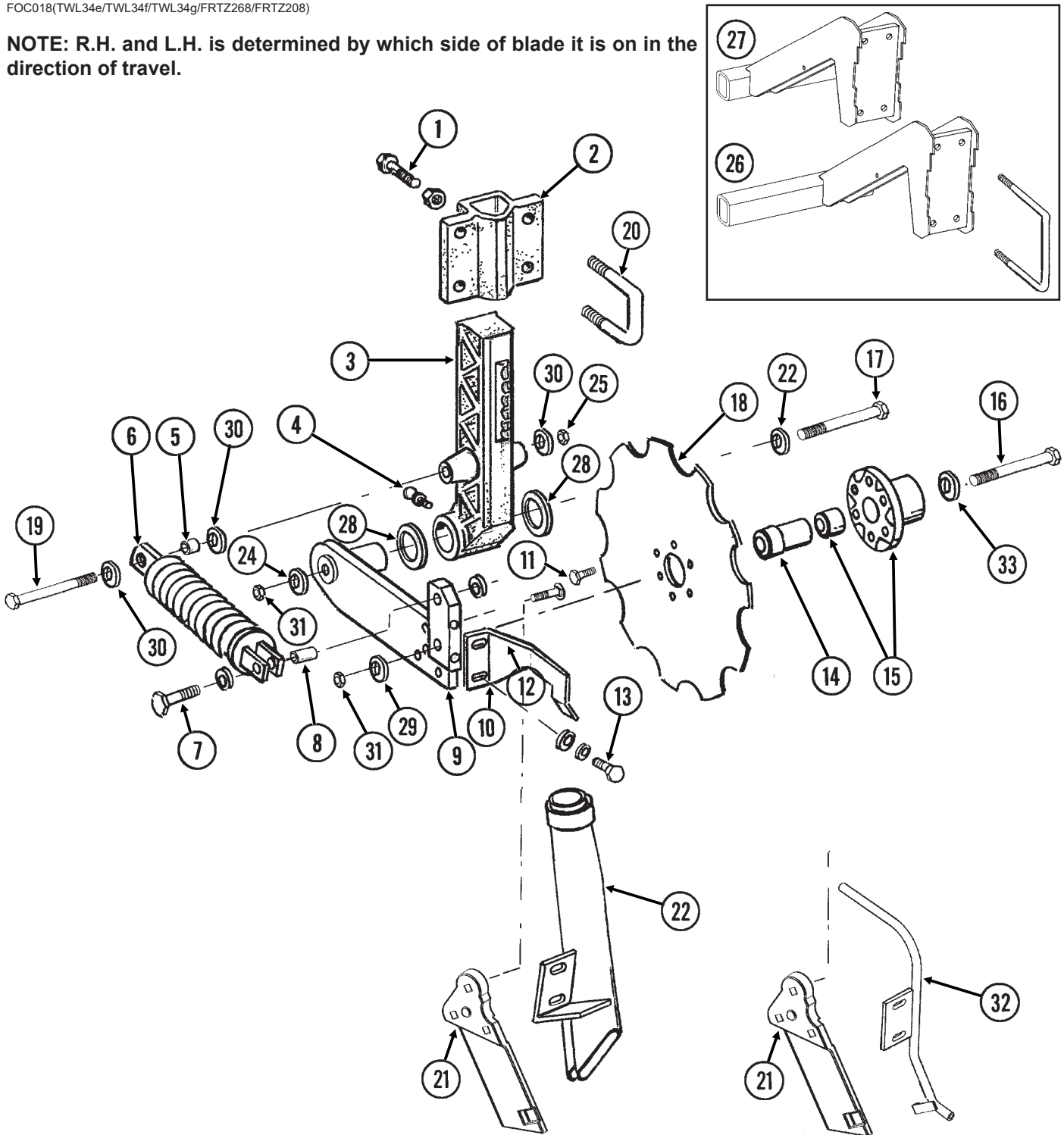


ITEM	PART NO.	QTY. (Per Assy.)	DESCRIPTION
1	GD7900 GD8247	1 -	Disc Blade, 18" Disc Blade, 20" (Optional)
2	GB0205	1	Spindle
3	GA4286	1	Seal
4	GA4287	1	Bearing
5	GA5887 GD6553 GR0188 G11391	1 - - 3	Arm W/Cups And Washers Inner Cup (Included W/GA5887) Outer Cup (Included W/GA5887) Flat Washer, 5/8" SAE
6	G10007	3	Hex Head Cap Screw, 5/8"-11 x 1 1/2"
7	G10001 G10108	2 2	Hex Head Cap Screw, 3/8"-16 x 1" Lock Nut, 3/8"-16
8	GB0218	3	Bushing, 2 1/32" I.D. x 7/8" O.D. x 1 9/32" Long
9	GD8238	1	Channel
10	GD7962	2	Spring
11	G10641	2	Grease Fitting, 1/8" NPT
12	G10105	3	Hex Nut, 3/4"-10
13	GD7908	1	Tap Block
14	GD34923	1	Spring Seat
15	GA0237	1	Bearing
16	G10220	1	Machine Bushing, 1 1/16", 10 Gauge

ITEM	PART NO.	QTY. (Per Assy.)	DESCRIPTION
17	G10507	1	Slotted Nut, 1"-14
18	GD1104	1	Dust Cap
19	GD8276	1	Pin
	G10237	1	Lock Washer, 7/16"
	G10100	1	Hex Nut, 7/16"-14
20	GD10273	1	Compression Spring
21	G10592	1	Hair Pin Clip, No. 11
22	G10594	6	Bolt, 1/2"-13 x 1 1/2"
	G10111	6	Lock Nut, 1/2"-13
23	G10049	2	Hex Head Cap Screw, 3/8"-16 x 2 1/2"
	G11387	2	Flat Washer, 3/8" SAE
	G10108	2	Lock Nut, 3/8"-16
24	G10599	1	Carriage Bolt, 3/8"-16 x 1 1/4"
	G11387	1	Flat Washer, 3/8" SAE
	G10229	1	Lock Washer, 3/8"
	G10101	1	Hex Nut, 3/8"-16
25	GD7912	1	Scraper
26	GB0210	-	Drop Tube, R.H., Dry Fertilizer
	GB0209	1	Drop Tube, L.H., Dry Fertilizer (Shown)
27	GA8689	1	Drop Tube, L.H., Liquid Fertilizer (Shown)
	GA8688	-	Drop Tube, R.H., Liquid Fertilizer
28	GD8224	2	Bar
29	G10004	2	Hex Head Cap Screw, 3/8"-16 x 1 1/4"
	G10229	2	Lock Washer, 3/8"
30	GD10487	1	Clamp
31	GD10304	-	Angle, R.H.
	GD10303	1	Angle, L.H. (Shown)
32	G10016	2	Hex Head Cap Screw, 1/2"-13 x 2"
	G10111	2	Lock Nut, 1/2"-13
33	G10322	-	Machine Bushing, 1 1/4", 18 Gauge (As Required)
34	G10862	1	Hex Head Cap Screw, 5/8"-11 x 3/4"
	G11391	2	Flat Washer, 5/8" SAE
	G10230	1	Lock Washer, 5/8"
35	G10640	1	Grease Fitting, 1/4"-28
36	GD10242	1	Bushing, 2 1/4"
37	G10039	5	Hex Head Cap Screw, 1/2"-13 x 1 3/4"
	G10111	5	Lock Nut, 1/2"-13
38	G10459	1	Cotter Pin, 3/16" x 1 1/2"
39	GA7240	-	Opener Mount, R.H.
	GA7239	1	Opener Mount, L.H. (Shown)
40	GD1113	2	U-Bolt, 5" x 7" x 5/8"-11
	G10230	4	Lock Washer, 5/8"
	G10104	4	Hex Nut, 5/8"-11
41	GD7907	1	Special Bolt
42	GB0206	1	Rod Guide
43	GD8239	1	Storage Strap
44	GD7904-02	1	Sleeve, 1/2" x 1/2" Long
45	G11389	3	Flat Washer, 1/2" SAE
46	GA15416	1	Check Valve Assembly
	GA15415	1	Check Valve
	G11436	2	Hose Barb, 1/4" Male NPT To 3/8" Barb

FOC018(TWL34e/TWL34f/TWL34g/FRTZ268/FRTZ208)

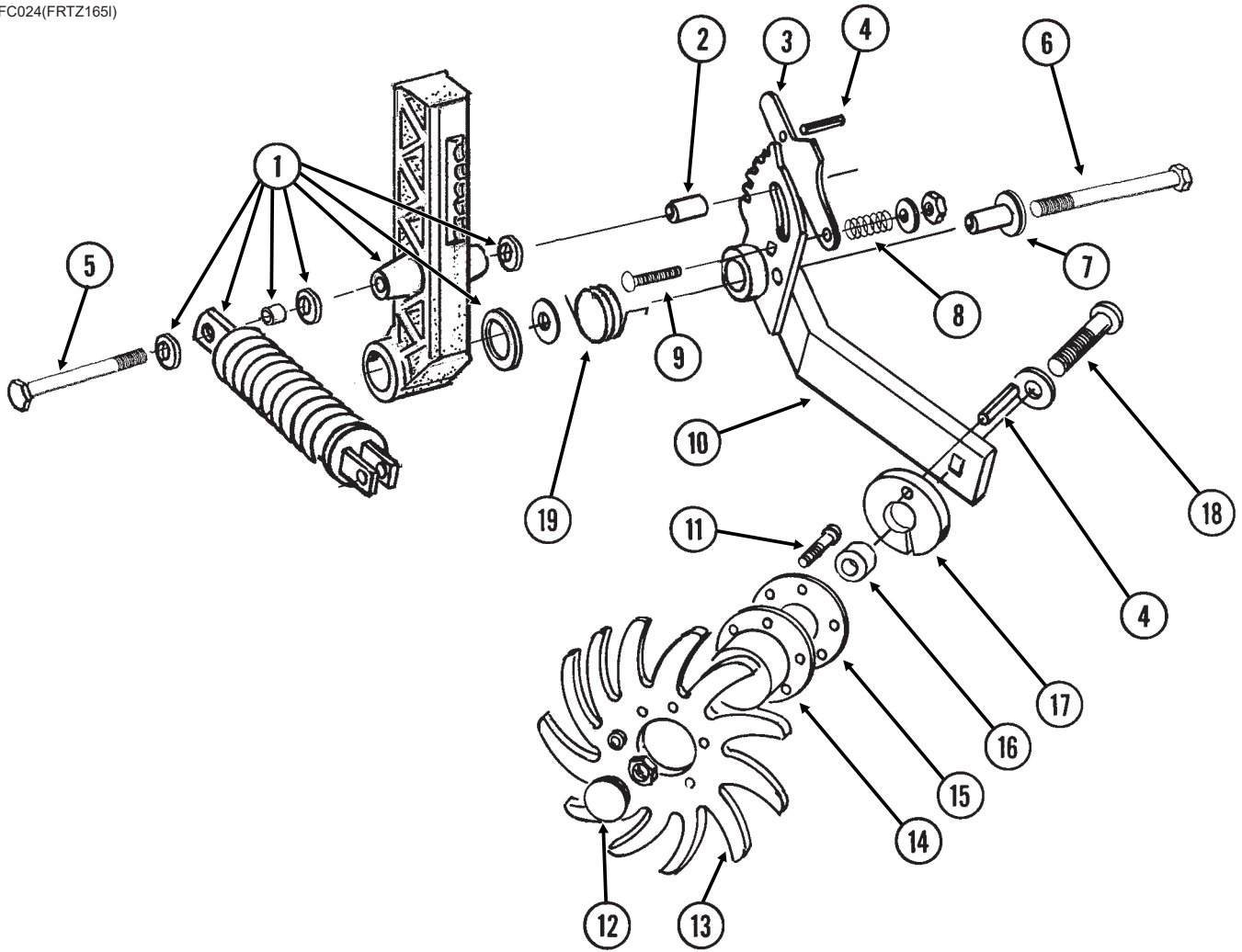
**NOTE:** R.H. and L.H. is determined by which side of blade it is on in the direction of travel.



ITEM	PART NO.	QTY. (Per Assy.)	DESCRIPTION
1	G10017	3	Hex Head Cap Screw, 1/2"-13 x 1 1/2"
	G10102	3	Hex Nut, 1/2"-13
2	GB0400	1	Mount, R.H.
	GB0405		Mount, L.H. (Shown)
3	GB0296	1	Arm, 13 1/2"
4	G10640	1	Grease Fitting, 1/4"-28
5	GD12685	1	Bushing, 3/4" O.D. x 1/2" Long
6	GA6966	1	Compression Spring Assembly
7	G10047	1	Hex Head Cap Screw, 3/8"-16 x 1 3/4"
	G11387	2	Flat Washer, 3/8" SAE
	G10108	1	Lock Nut, 3/8"-16
8	GD1026	1	Sleeve, 1 3/16" Long
9	GA9433	1	Pivot Arm, L.H. (Shown)
	GA9434	-	Pivot Arm, R.H.
10	GD11557	1	Scraper, L.H. (Shown)
	GD11558	-	Scraper, R.H.
11	G10002	6	Hex Head Cap Screw, 3/8"-16 x 3/4"
12	G10306	3	Carriage Bolt, 3/8"-16 x 2"
	G10108	3	Lock Nut, 3/8"-16
13	G10991	2	Hex Head Cap Screw, 5/16"-18 x 7/8"
	G10232	2	Lock Washer, 5/16"
	G11386	6	Flat Washer, 5/16" SAE
14	GD12679	1	Stepped Spacer, 3" Long
15	GA9437	1	Hub W/Bearing
	GA8603	-	Bearing, Double Row
16	G10011	1	Hex Head Cap Screw, 5/8"-11 x 5 1/2"
17	G10046	1	Hex Head Cap Screw, 5/8"-11 x 5"
18	GD12676	1	Disc Blade, Notched, 16 3/4"
19	G10871	1	Hex Head Cap Screw, 1/2"-13 x 6"
20	GD13287	2	U-Bolt, 1 1/2" x 2 1/2" x 1/2"-13
	G11389	4	Flat Washer, 1/2" Plated SAE
	G10111	4	Lock Nut, 1/2"-13
21	GB0323	1	Knife, L.H. (Shown)
	GB0322	-	Knife, R.H.
22	G10217	-	Washer, 5/8" USS
23	GA10047	1	Drop Tube, L.H., Dry Fertilizer
	GA10048	-	Drop Tube, R.H., Dry Fertilizer (Shown)
24	G11391	-	Flat Washer, 5/8" SAE
25	G10111	-	Lock Nut, 1/2"-13
26	GA9819	1	Opener Mount
	GD1113	2	U-Bolt, 5" x 7" x 5/8"-11
	G10230	4	Lock Washer, 5/8"
	G10104	4	Hex Nut, 5/8"-11
27	GA9820	1	Opener Mount
	GD1113	2	U-Bolt, 5" x 7" x 5/8"-11
	G10230	4	Lock Washer, 5/8"
	G10104	4	Hex Nut, 5/8"-11
28	G10450	-	Machine Bushing, 1 1/2", 18 Gauge (As Required)
29	GD12677	1	Washer, 1 1/2" O.D., 7 Gauge, Hardened
30	G11389	-	Flat Washer, 1/2" Plated SAE
31	G10107	-	Lock Nut, 5/8"-11
32	GA11397	1	Drop Tube, L.H., Liquid Fertilizer
	GA11398	-	Drop Tube, R.H., Liquid Fertilizer (Shown)

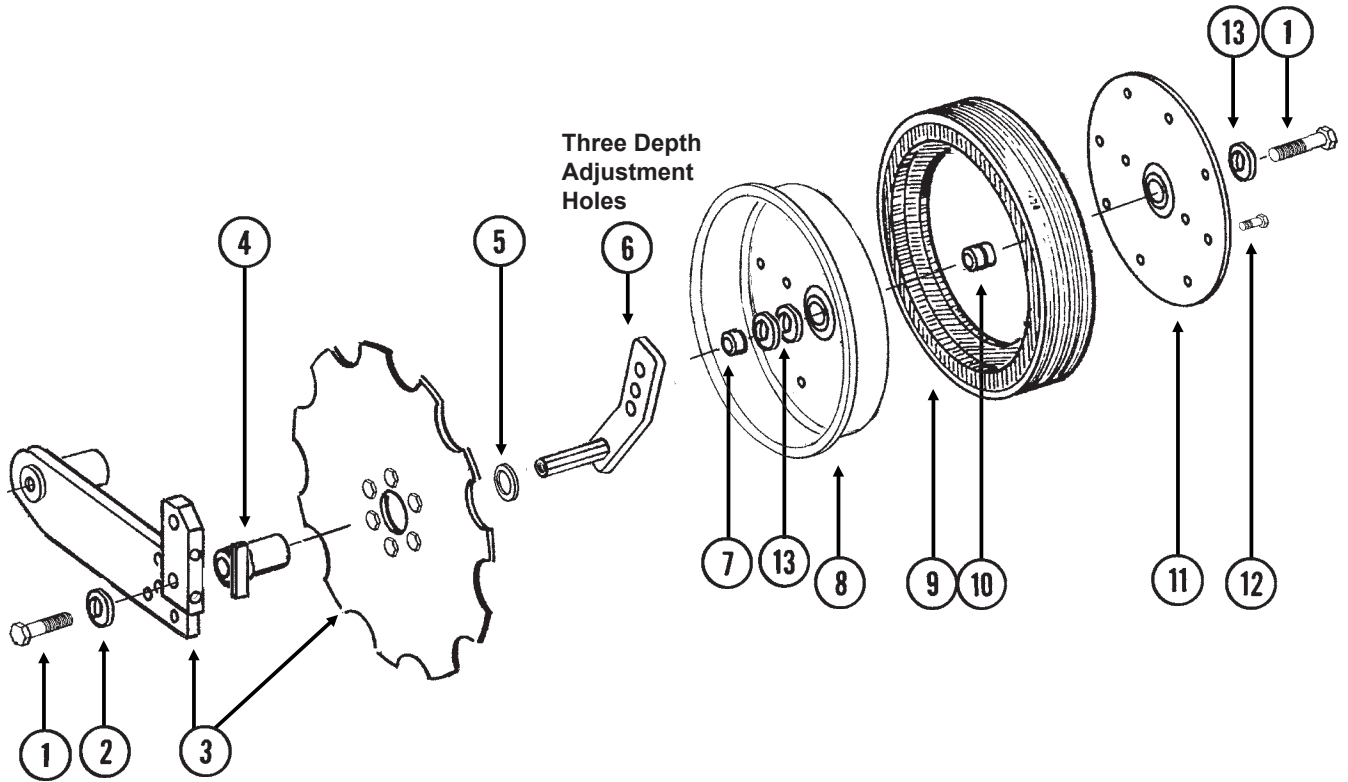


DFC024(FRTZ165I)



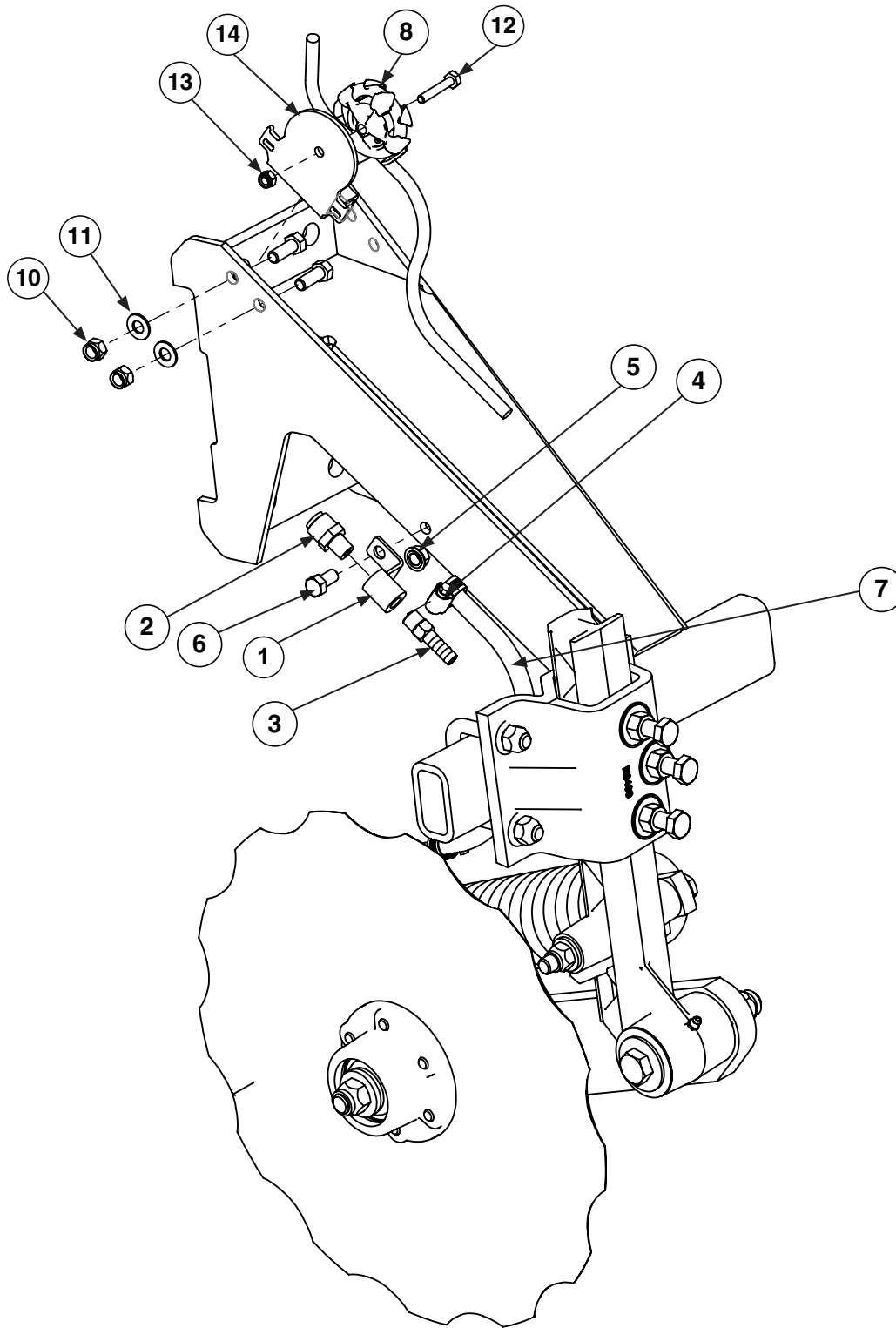
ITEM	PART NO.	QTY. (Per Assy.)	DESCRIPTION
1	---	-	<a href="#">See "Notched Single Disc Fertilizer Opener" on page P266</a>
2	GD12684	1	Bushing, 1 $\frac{1}{3}$ " Long
3	GD11178	1	Adjustment Lever
4	G10603	2	Spring Pin, $\frac{1}{4}$ " x 1 $\frac{1}{4}$ "
5	G11034	1	Hex Head Cap Screw, $\frac{1}{2}$ "-13 x 7"
	G10111	1	Lock Nut, $\frac{1}{2}$ "-13
6	G10830	1	Hex Head Cap Screw, $\frac{5}{8}$ "-11 x 7 $\frac{1}{2}$ "
	G11391	1	Flat Washer, $\frac{5}{8}$ " SAE
	G10107	1	Lock Nut, $\frac{5}{8}$ "-11
7	GD11836	1	Sleeve, 2 $\frac{1}{8}$ " Long
8	GD7962	1	Spring
9	G10306	1	Carriage Bolt, $\frac{3}{8}$ "-16 x 2"
	G11387	1	Flat Washer, $\frac{3}{8}$ " SAE
	G10108	1	Lock Nut, $\frac{3}{8}$ "-16
10	GA7999	1	Mount W/Grease Fitting, L.H. (Shown)
	GA7998	-	Mount W/Grease Fitting, R.H.
	G10640	-	Grease Fitting, $\frac{1}{4}$ "-28 (Included W/GA7998 and GA7999)
11	G10133	6	Hex Head Cap Screw, $\frac{5}{16}$ "-18 x 1 $\frac{1}{2}$ "
	G10109	6	Lock Nut, $\frac{5}{16}$ "-18, Grade 8
12	GD1132	2	Dust Cap
13	GD10552	2	Wheel, 12 Tine, $\frac{3}{8}$ " x 12"
14	GA5654	1	Hub W/Bearings
	GA2014	-	Bearing
15	GD9724	1	Backing Plate
16	GD7817-04	1	Spacer, 1 $\frac{1}{16}$ " I.D. x $\frac{1}{2}$ " Long
17	GD11188	1	Spacer
18	G10908	1	Carriage Bolt, $\frac{5}{8}$ "-11 x 3"
	G10503	1	Hex Jam Nut, $\frac{5}{8}$ "-11, Grade 2
19	GD11265	1	Spring, L.H. (Shown)
	GD11266	-	Spring, R.H.
A	GA7445	-	Wheel Assembly, 12 Tine, L.H. (Items 11 And 13-15)(Shown)
	GA7446	-	Wheel Assembly, 12 Tine, R.H. (Items 11 And 13-15)

(FRTZ256)



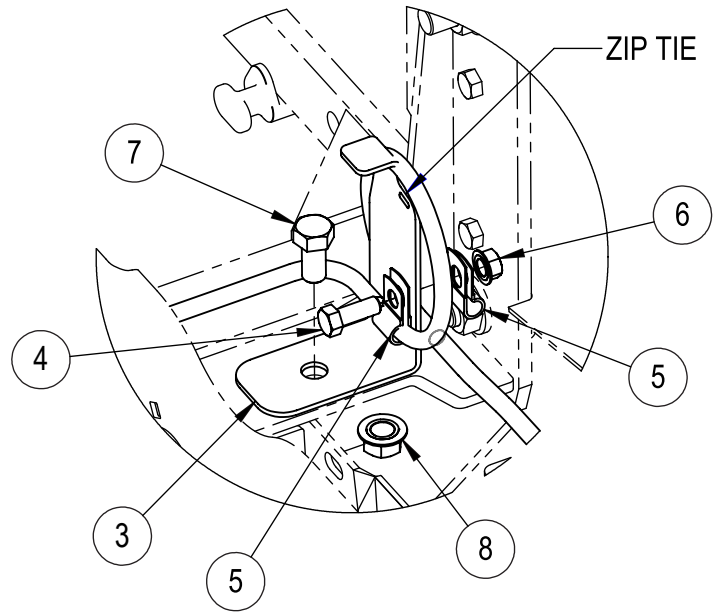
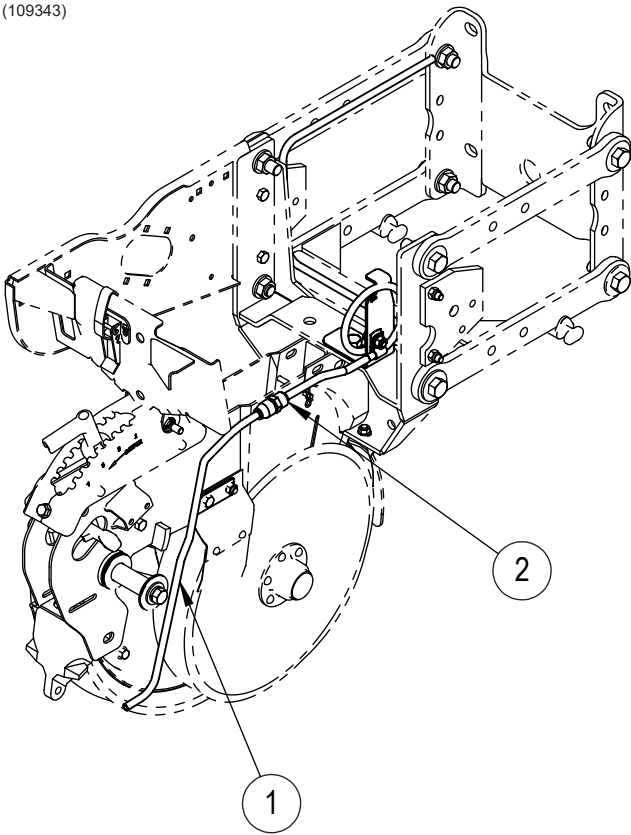
ITEM	PART NO.	QTY. (Per Assy.)	DESCRIPTION
1	G10010	2	Hex Head Cap Screw, 5/8"-11 x 3"
2	G11391	1	Flat Washer, 5/8" SAE
3	---	-	<a href="#">See "Notched Single Disc Fertilizer Opener" on page P266</a>
4	GA9472	1	Blade Mount
5	G10233	1	Machine Bushing, 1", 10 Gauge
6	GA10037	1	Wheel Mount, L.H. (Shown)
	GA10036	1	Wheel Mount, R.H.
7	GD13309	1	Spacer
8	GD31466	1	Half Wheel, Black
9	GD11953	1	Offset Tire
10	GA6171	1	Bearing
11	GD26598	1	Half Wheel Cover, Black
12	G10961	11	Flanged Whiz Lock Screw, 5/16"-18 x 3/4", No Serration
	G10620	11	Serrated Flange Nut, 5/16"-18
13	G10204	-	Special Machine Bushing, 5/8" x 1" O.D. (As Required)
A	GA18311	-	Gauge Wheel Complete (Items 8-12)

(107138)



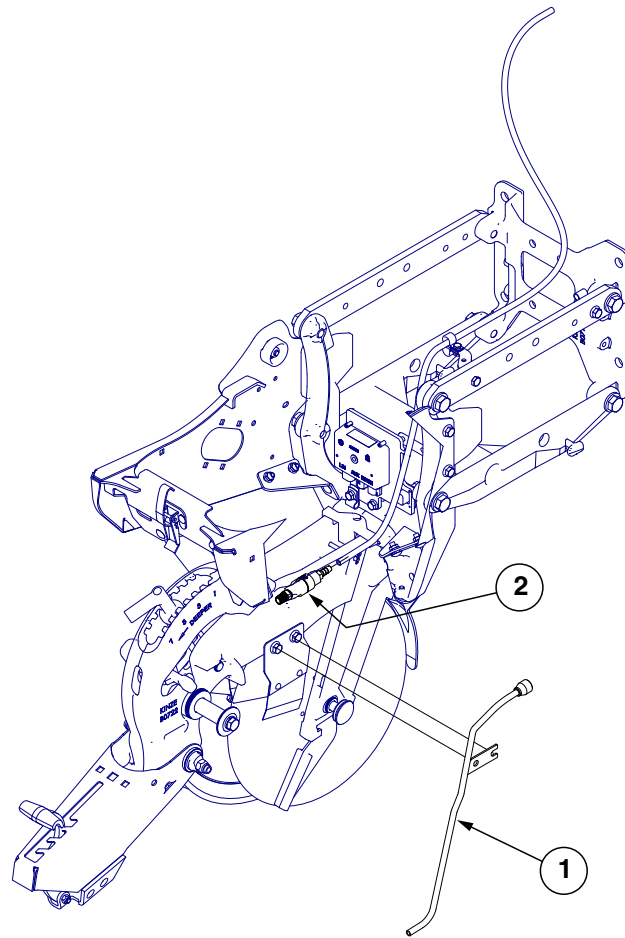
ITEM	PART NO.	QTY. (Per Assy.)	DESCRIPTION
1	GA18576	1	Fertilizer Tube Adapter
2	GD29625	1	Connector, 1/4" NPT x 3/8"
3	GD11700	1	Adapter, 1/4" NPT To 3/8" Barb
4	G10681	2	Hose Clamp, No. 6
5	G10622	1	Serrated Flange Nut, 3/8"-16
6	G10002	1	Hex Head Cap Screw, 3/8"-16 x 3/4"
7	G4301-11	1	Clear Plastic Tube, 3/8" x 16
8	G10944501	1	Fertilizer Air Lock Loop Holder
9	G10001	2	Hex Head Cap Screw, 3/8"-16 x 1"
10	G10108	2	Lock Nut, 3/8"-16
11	G10203	2	Washer, 3/8" SAE
12	G10021	1	Hex Head Cap Screw, 1/4"-20 x 1 1/2"
13	G10110	1	Lock Nut, 1/4"-20, Grade B
14	G10992701	1	Loop Holder Bracket

(109343)



ITEM	PART NO.	QTY.	DESCRIPTION
1	GA18822	1	Liquid Fertilizer Tube
2	GD29625	1	Connector, 1/4" NPT x 3/8"
3	G10948201	1	Hose Loop Bracket
4	G10001	1	Hex Head Cap Screw, 3/8"-16 x 1
5	GD6291	2	Insulated Clamp, 3/8"
6	G10622	1	Serrated Flange Nut, 3/8"-16
7	G10014	1	Hex Head Cap Screw, 1/2"-13 x 1"
8	G10071	1	Serrated Flange Nut, 1/2"-13

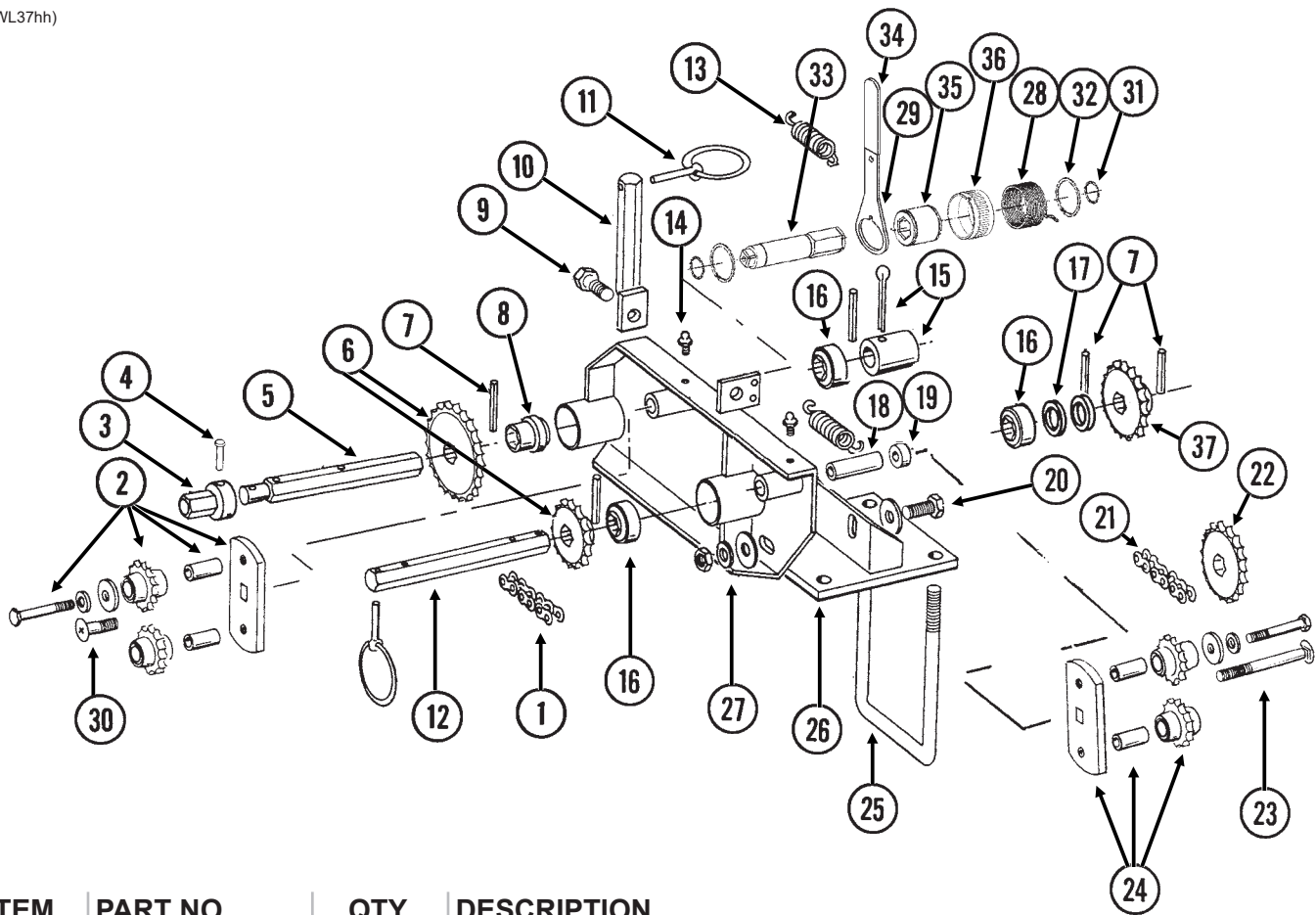
(A18821a)



ITEM	PART NO.	QTY.	DESCRIPTION
1	GA18822	-	Liquid Fertilizer Tube
2	GA20583	-	Check Valve Assembly
	GA20584	-	Check Valve Assembly (Blue Vantage)



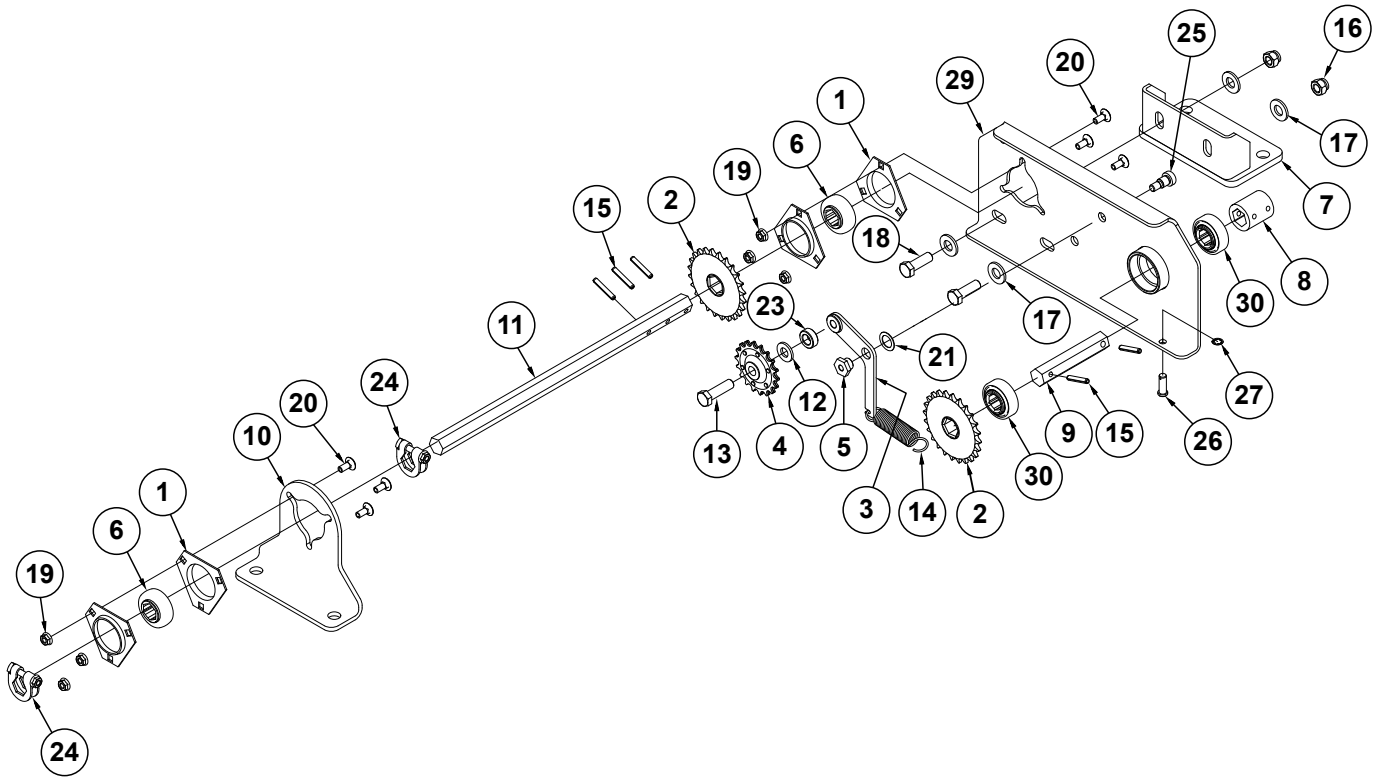
(TWL37hh)



ITEM	PART NO.	QTY. (Per Side)	DESCRIPTION
1	G3310-88 GR0912	1 -	Chain, No. 40, 88 Pitch Including Connector Link Connector Link, No. 40
2	GA7336 GD7426 GD1026 G11387 G10229 G10047	1 - - - - -	Idler W/Bolt-On Sprockets Sprocket, 12 Tooth (Included W/GA7336) Sleeve, 1 $\frac{1}{8}$ " Long (Included W/GA7336) Flat Washer, $\frac{3}{8}$ " SAE (Included W/GA7336) Lock Washer, $\frac{3}{8}$ " (Included W/GA7336) Hex Head Cap Screw, $\frac{3}{8}$ "-16 x 1 $\frac{3}{4}$ " (Included W/GA7336)
3	GD7127	1	Shear Coupler
4	G10821 G10455	1 -	Clevis Pin, $\frac{3}{16}$ " x 2" Cotter Pin, $\frac{1}{16}$ " x $\frac{1}{2}$ "
5	GD7866	1	Shaft, $\frac{7}{8}$ " x 7 $\frac{1}{2}$ "
6	GA5105 GA5107 GA5114 GA5115 GA6337	1 1 1 1 1	Sprocket, 15 Tooth Sprocket, 19 Tooth Sprocket, 30 Tooth Sprocket, 33 Tooth Sprocket, 35 Tooth
7	G10602	6	Spring Pin, $\frac{1}{4}$ " x 1 $\frac{1}{2}$ "
8	GA5624	1	Special Bearing, $\frac{7}{8}$ " Hex Bore x 1.6"
9	G10037 G10111	1 1	Hex Head Cap Screw, $\frac{1}{2}$ "-13 x 1 $\frac{1}{4}$ " Lock Nut, $\frac{1}{2}$ "-13
10	GA5229	1	Sprocket Storage Rod
11	GD2558	3	Lynch Pin, $\frac{1}{4}$ "
12	GD10119	1	Shaft, $\frac{7}{8}$ " x 7 $\frac{7}{16}$ "
13	GD5857	2	Spring

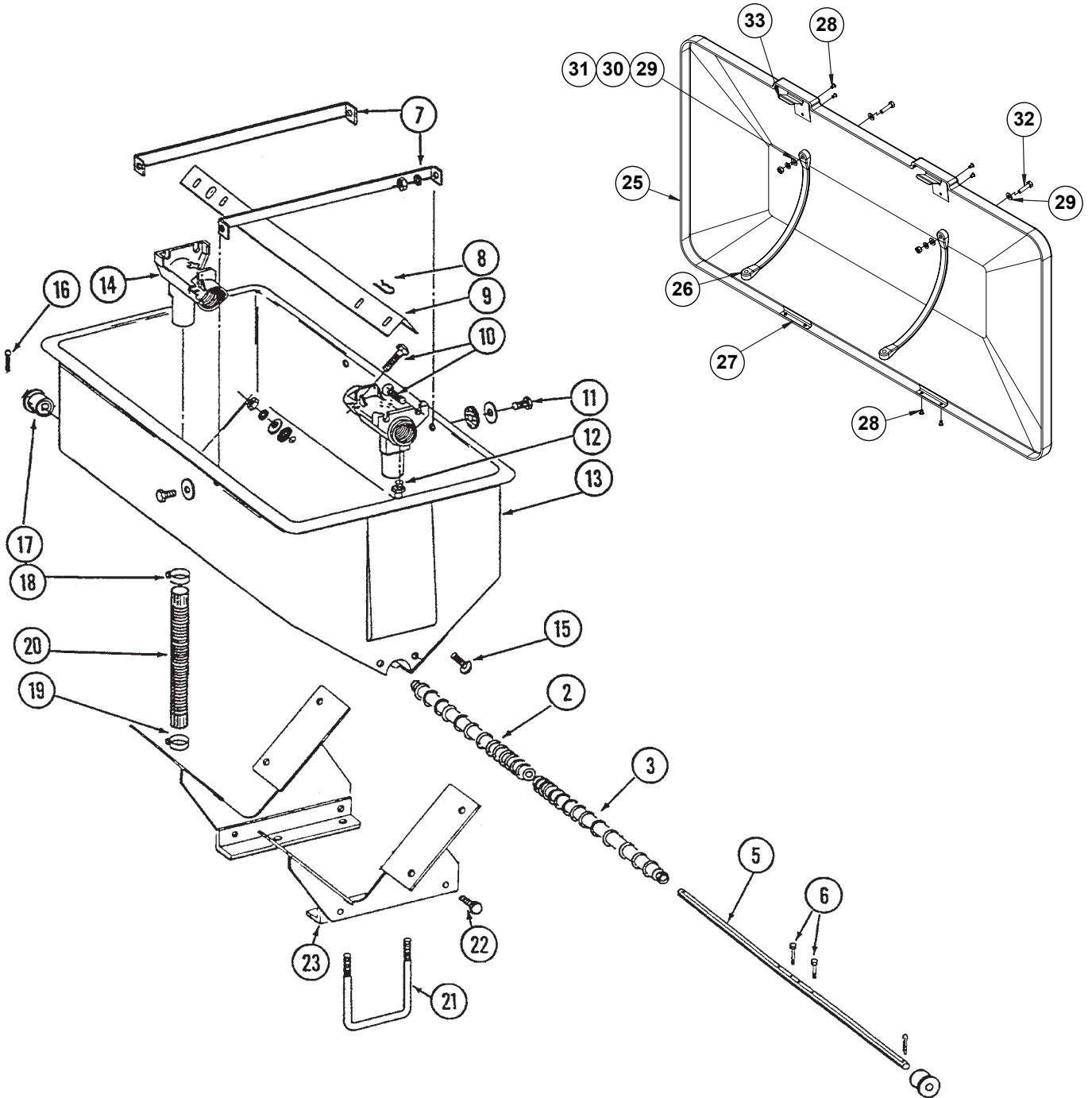
ITEM	PART NO.	QTY. (Per Side)	DESCRIPTION
14	G10640	2	Grease Fitting, 1/4"-28
15	---	-	<a href="#">See "Dry Fertilizer Coupler/Shafts" on page P283</a>
16	GA5116	3	Bearing, 7/8" Hex Bore, Cylindrical
17	G10233	2	Machine Bushing, 1", 10 Gauge
18	GD3180-10	1	Sleeve, 5/8" I.D. x 7/8" O.D. x 3 1/4" Long
19	GD2734-08	1	Sleeve, 1 1/4" O.D. x 5/8" Long
20	G10017	2	Hex Head Cap Screw, 1/2"-13 x 1 1/2"
	G11389	4	Flat Washer, 1/2" SAE
	G10228	2	Lock Washer, 1/2"
	G10102	2	Hex Nut, 1/2"-13
21	G3310-130	1	Chain, No. 40, 130 Pitch Including Connector Link
	GR0912	-	Connector Link, No. 40
22	GA5114	1	Sprocket, 30 Tooth
23	G10419	1	Carriage Bolt, 1/2"-13 x 4 1/2"
	G11389	1	Flat Washer, 1/2" SAE
	G10111	1	Lock Nut, 1/2"-13
24	GA7396	1	Idler W/Bolt-On Sprockets
	GD7426	-	Sprocket, 12 Tooth (Included W/GA7396)
	GD1026	-	Sleeve, 1 3/8" Long (Included W/GA7396)
	G11387	-	Flat Washer, 3/8" SAE (Included W/GA7396)
	G10229	-	Lock Washer, 3/8" (Included W/GA7396)
	G10047	-	Hex Head Cap Screw, 3/8"-16 x 1 3/4" (Included W/GA7396)
	G10049	-	Hex Head Cap Screw, 3/8"-16 x 2 1/2" (Included W/GA7396)
	G10108	-	Lock Nut, 3/8"-16 (Included W/GA7396)
25	GD1134	2	U-Bolt, 7" x 5" x 5/8"-11
	G10230	4	Lock Washer, 5/8"
	G10104	4	Hex Nut, 5/8"-11
26	GA18381	1	Mount, L.H. (Shown)
	GA18380	-	Mount, R.H.
27	GA5671	1	Transmission Plate, L.H. (Shown)
	GA5672	-	Transmission Plate, R.H.
28	GD14413	-	Torsion Spring, L.H. (Used In R.H. Wrap Spring Wrench) (Shown)
	GD14414	1	Torsion Spring, R.H. (Used In L.H. Wrap Spring Wrench)
29	GD14431	1	Handle
30	G11100	1	Hex Socket Button Head Cap Screw, 1/4"-20 x 1/2", Grade 8
	G10227	1	Lock Washer, 1/4"
	G11453	1	Fender Washer, 1/4"
31	G11075	2	External Inverted Snap Ring, 7/8"
32	G10496	2	External Inverted Snap Ring, 1 1/2"
33	GD14427	1	Tightener Shaft, 4 7/8"
34	G11078	1	Vinyl Cap
35	GD14432	1	Sleeve, 1 1/4"
36	GD19343	1	Release Collar, Gold, R.H. (Shown)
	GD19344	-	Release Collar, Silver, L.H.
37	GA12192	1	Sprocket, 22 Tooth
A	G1K378	1	Wrap Spring Wrench Replacement Kit, Blue Collar, R.H. (Items 28-36) (Shown)
	G1K379	-	Wrap Spring Wrench Replacement Kit, Gray Collar, L.H. (Items 28-36)

(A18618)

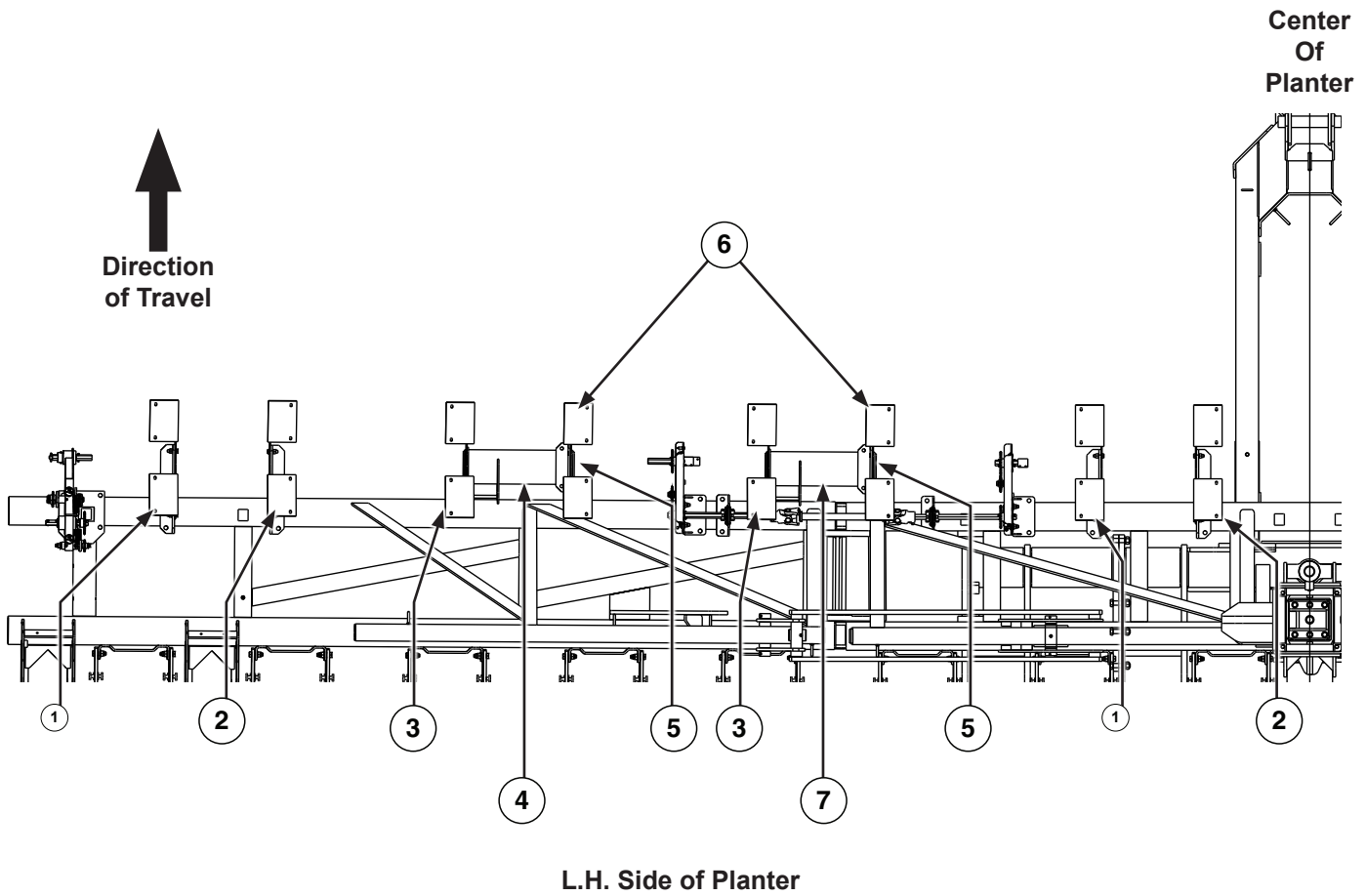


ITEM	PART NO.	QTY.	DESCRIPTION
1	G3400-01	4	Flangette
2	GA5109	2	Sprocket, 24 Tooth
3	GA17975	1	Idler Arm
4	GA7154	1	Sprocket W/Bearing, 18 Tooth
5	GD26479	1	Idler Pivot Nut
6	G2100-03	2	Bearing, 7/8" Hex Bore, Spherical
7	GA18382	1	Dry Fertilizer Mount
8	GD5886	1	Coupler, 1 3/4"
9	GD26880	1	Dry Fertilizer Hex Shaft, 4 3/4"
	GD26879	-	Dry Fertilizer Hex Shaft, 8 1/4"
10	GD26560	1	Dry Fertilizer Bracket
11	GD26565	1	Dry Fertilizer Hex Shaft
12	G11389	1	Flat Washer, 1/2" Plated SAE
13	G10039	1	Hex Head Cap Screw, 1/2"-13 x 1 3/4"
14	GD5857	1	Spring
15	G10602	5	Spring Pin, 1/4" x 1 1/2"
16	G10111	2	Lock Nut, 1/2"-13
17	G11390	7	Flat Washer, 9/16" SAE
18	G10017	2	Hex Head Cap Screw, 1/2"-13 x 1 1/2"
19	G10923	6	Flange Nut, 5/16"-18, No Serration
20	G10312	6	Carriage Bolt, 5/16"-18 x 3/4"
21	GD30725	3	Machine Bushing, 5/8" (.030" Thick)
22	---	-	---
23	GD10161	1	Spacer, 3/8"
24	GA11331	2	Hex Lock Clamp Assembly
25	G11555	1	Hex Socket Head Shoulder Screw, 3/8"-16 x 1/2"
26	G10870	1	Clevis Pin, 3/8" x 1"
27	G10860	1	Retaining Ring, 3/8"
28	G3310-62	1	Chain No. 40, 62 Pitch Including Connector Link
	GR0912	-	Connector Link, No. 40
29	GA18614	1	R.H. Dry Fertilizer Bracket
	GA18613	-	L.H. Dry Fertilizer Bracket
30	GA5116	2	Bearing, 7/8" Hex Bore, Cylindrical
31	GR0911	1	Offset Link, No. 40

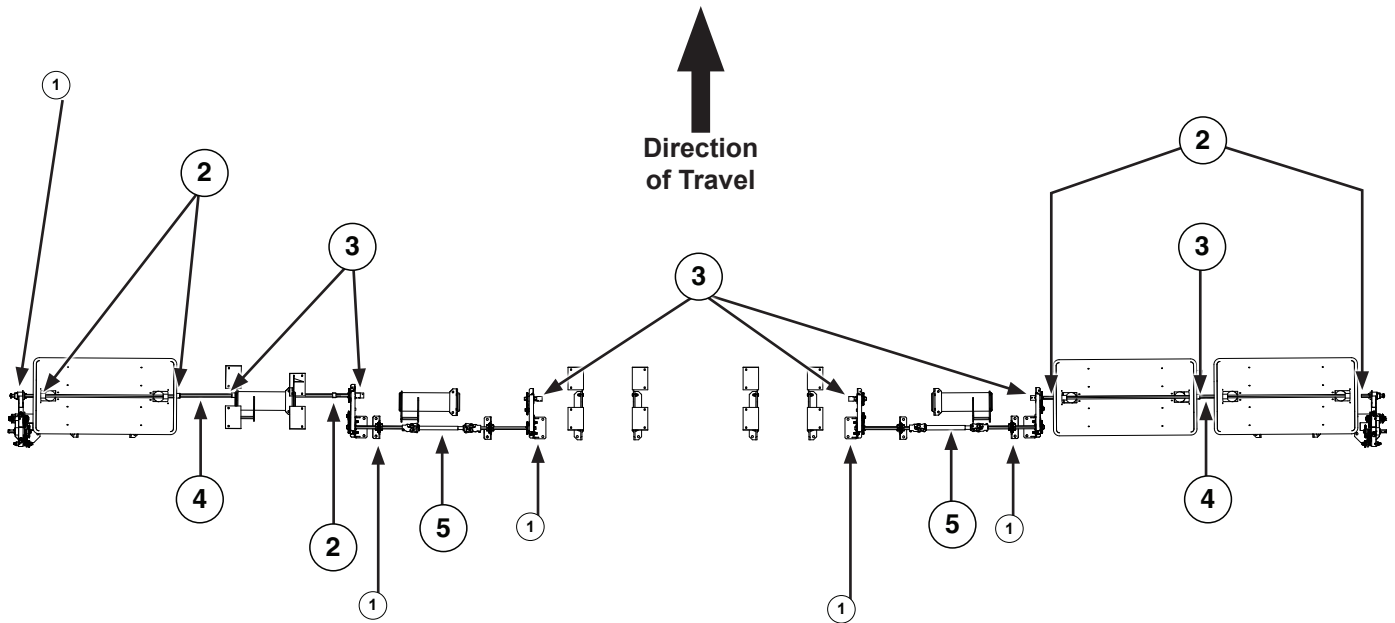
(EXP23)



ITEM	PART NO.	QTY. (Per Hopper)	DESCRIPTION
1	---	-	---
2	GB0198	1	Auger, R.H.
3	GB0199	1	Auger, L.H.
4	---	-	---
5	GD7848	1	Shaft
6	G10587	2	Hex Head Cap Screw, ¼"-20 x 2", Stainless Steel
	G10588	2	Hex Nut, ¼"-20, Stainless Steel
7	GD1209	2	Strap
8	G10670	2	Hair Pin Clip, No. 3
9	GD1207	1	Baffle
10	G10303	8	Carriage Bolt, ⅝"-18 x 1"
	G11386	8	Flat Washer, ⅝" SAE
	G10232	8	Lock Washer, ⅝"
	G10106	8	Hex Nut, ⅝"-18
11	G10171	4	Hex Head Cap Screw, ⅝"-18 x 1¼"
	G10201	4	Special Washer, ⅜" x 1½" O.D.
	GD1213	4	Rubber Washer
	G10232	4	Lock Washer, ⅝"
	G10106	4	Hex Nut, ⅝"-18
12	G10640	2	Grease Fitting, ¼"-28
13	GD1379	1	Hopper
14	GD1200	2	Outlet Housing
15	G10303	8	Carriage Bolt, ⅝"-18 x 1"
	G10171	-	Hex Head Cap Screw, ⅝"-18 x 1¼" (If Applicable)
	G11386	-	Flat Washer, ⅝" SAE (If Applicable)
	G10201	8	Special Washer, ⅜" x 1½" O.D.
	GD1213	8	Rubber Washer
	G10232	8	Lock Washer, ⅝"
	G10106	8	Hex Nut, ⅝"-18
16	G10460	2	Cotter Pin, ¼" x 2"
17	GB0200	2	Bearing
18	G10676	2	Hose Clamp, No. 36, Stainless Steel
19	G10672	2	Hose Clamp, No. 28
20	GD21398	2	Rubber Tube
21	GD1134	2	U-Bolt, 7" x 5" x ⅝"-11
	G10230	4	Lock Washer, ⅝"
	G10104	4	Hex Nut, ⅝"-11
22	G10017	4	Hex Head Cap Screw, ½"-13 x 1½"
	G10228	4	Lock Washer, ½"
	G10102	4	Hex Nut, ½"-13
23	---	-	<a href="#">See "Dry Fertilizer Hopper Mounts" on page P282</a>
24	---	-	---
25	GD1654	1	Hopper Lid w/ Kinze Logo
26	GD1210	2	Rubber Strap
27	GD2412	2	Rear Retainer
28	G10655	8	Rivet, 3/16" x 13/32"
29	G11386	4	Flat Washer, 5/16" SAE
30	G10232	2	Lock Washer, 5/16"
31	G10106	2	Hex Nut, 5/16"-18
32	G10171	2	Hex Head Cap Screw, 5/16"-18 x 1 ¼"
33	GD1380	2	Front Clip
A	GA6503	-	Hopper Sub-Assembly (Items 8, 10, And 12-15)
B	GA5667	-	Hopper Hardware Box (Items 2-7, 9, 11, 16, And 17)
C	GA0898	-	Hopper Lid w/ Kinze Logo (Items 25-33)



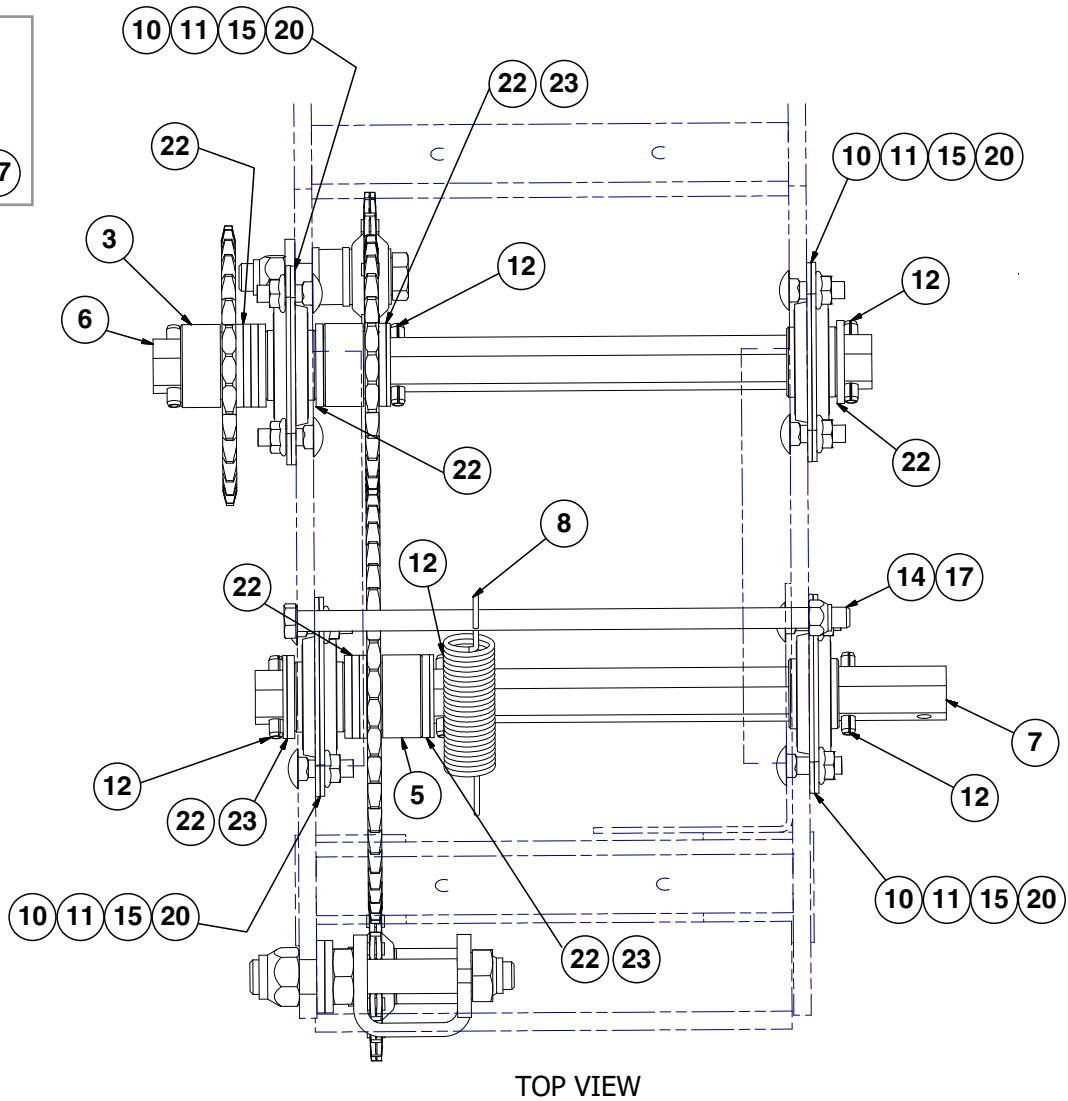
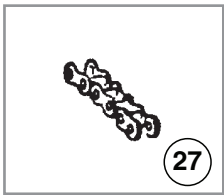
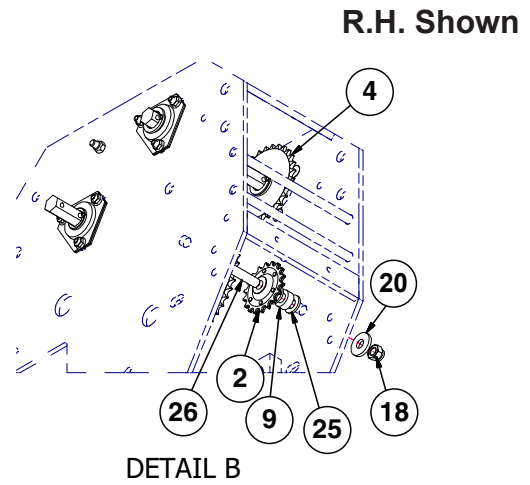
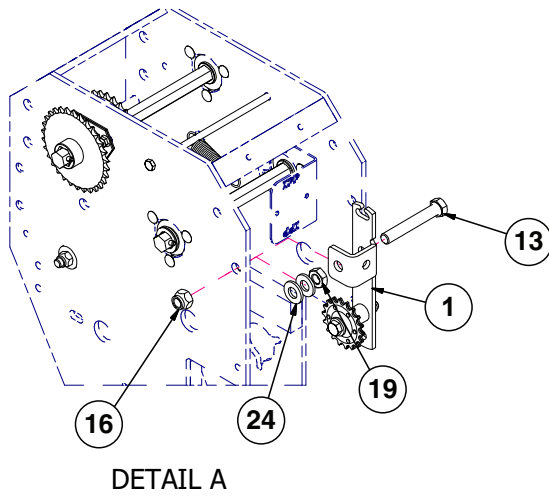
ITEM	PART NO.	QTY.	DESCRIPTION
1	GA18405	-	L.H. Hopper Mount
2	GA18404	-	R.H. Hopper Mount
3	GA18372	-	R.H. Dry Fertilizer Hopper Mount
4	GA18375 GA18374	-	L.H. Hopper Mount R.H. Hopper Mount
5	GD26569	-	Dry Fertilizer Mount Angle
6	GA18373	-	L.H. Dry Fertilizer Hopper Mount
7	GA22199 GA22200	- -	L.H. Hopper Mount R.H. Hopper Mount

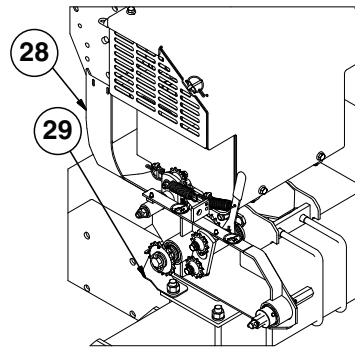


ITEM	PART NO.	QTY.	DESCRIPTION
1	---	-	<a href="#">See "Dry Fertilizer Drive" on page P278</a>
2	GD7867 G10602	-	Coupler, 3" Spring Pin, 1/4" x 1 1/2"
3	GD5886 G10602	-	Coupler, 1 3/4" Spring Pin, 1/4" x 1 1/2"
4	GD2548-7.375	-	Hex Drill Shaft, 7/8" x 7 3/8"
5	GA18385 GR2149 GR2150	- - -	U-Joint, 12 1/2" Assembly Inner Profile (Included W/GA18385) Inboard and Outer Profile Yoke



(102437)

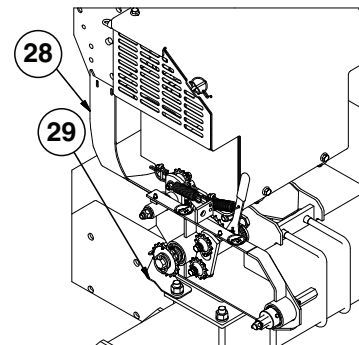
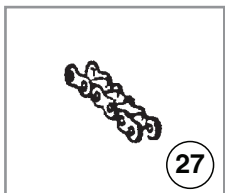
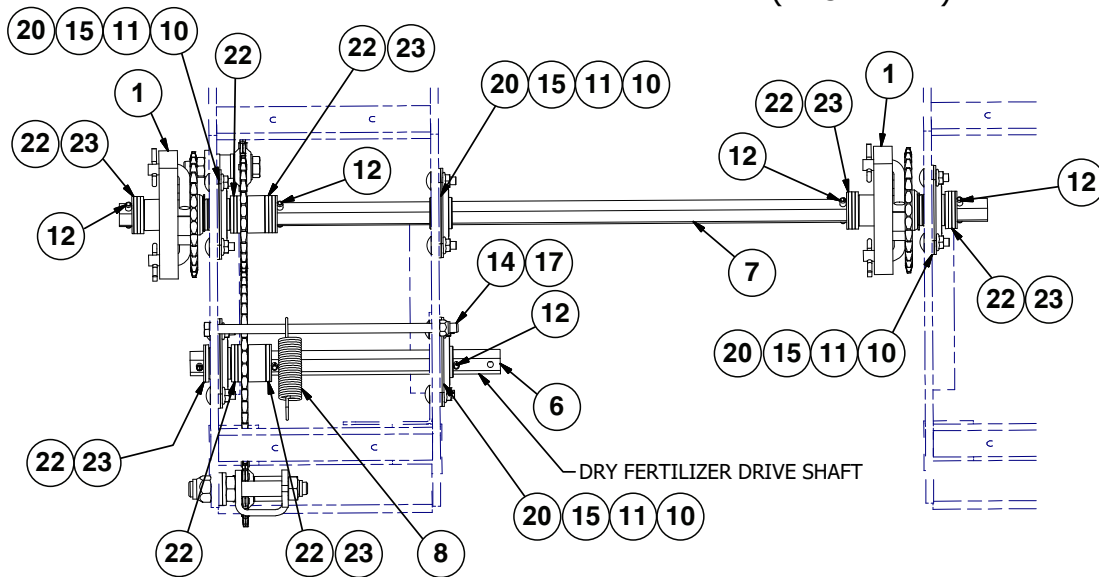
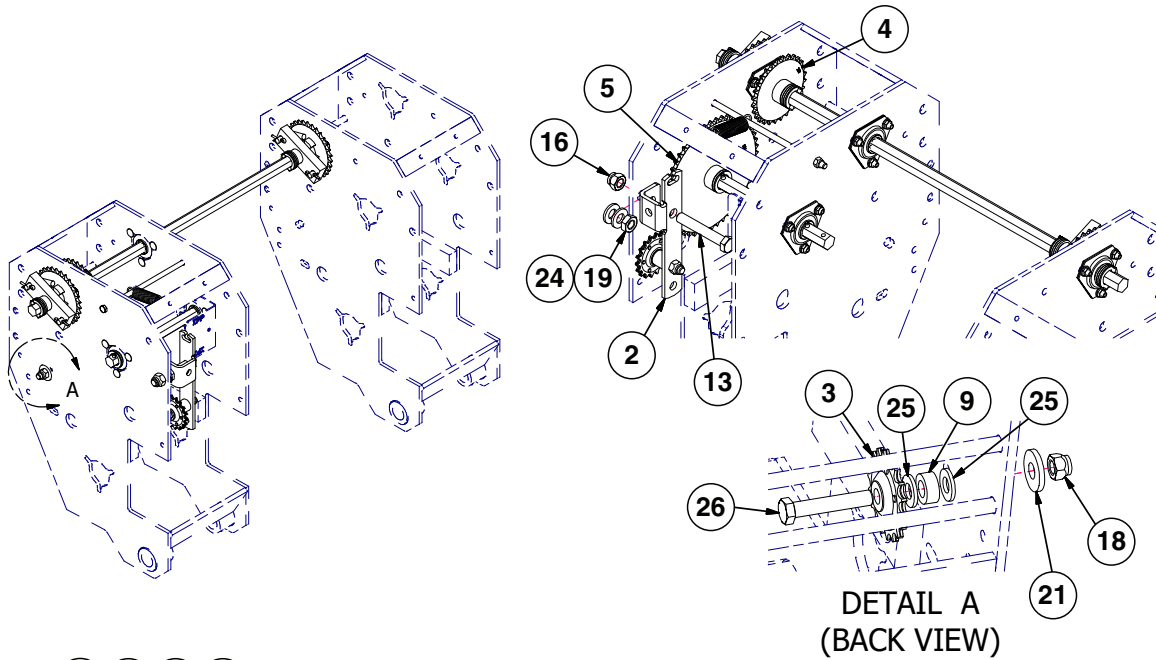




TRANSMISSION  
CHAIN SHIELDS

ITEM	PART NO.	QTY.	DESCRIPTION
1	GA9558	1	Idler Assembly, R.H.
	GA9557	1	Idler Assembly, L.H.
2	GA7154	1	Sprocket W/Bearing, 18 Tooth
3	GA5114	1	Sprocket, 30 Tooth
4	GA12192	2	Sprocket, 22 Tooth
5	GA5194	1	Sprocket, 50 Tooth
6	G10307401	1	Shaft, 7/8" x 13"
7	G10306801	1	Shaft, 7/8" x 12.5"
8	GD5857	1	Spring
9	GD7889	1	Bushing, 1" O.D. x 9/16" I.D. x 7/16" Long
10	G2100-03	4	Bearing, 7/8" Hex Bore, Spherical
11	G3400-01	8	Flangette
12	G10602	6	Spring Pin, 1/4" x 1 1/2"
13	G10036	1	Hex Head Cap Screw, 5/8"-11 x 4"
14	G10595	1	Hex Head Cap Screw, 3/8"-16 x 10"
15	G10303	12	Carriage Bolt, 5/16"-18 x 1"
16	G10107	1	Lock Nut, 5/8"-11
17	G10108	1	Lock Nut, 3/8"-16
18	G10111	1	Lock Nut, 1/2"-13
19	G10503	1	Hex Jam Nut, 5/8"-11, Grade 2
20	G10620	12	Serrated Flange Nut, 5/16"-18
21	G10168	1	Machine Bushing, 1/2", 7 Gauge (.1793")
22	G10233	12	Machine Bushing, 1 1/2" x 1/32", 10 Gauge (.1345")
23	G10345	3	Machine Bushing, 1", 14 Gauge (.0747")
24	G11391	2	Flat Washer, 5/8" SAE
25	G11389	2	Flat Washer, 1/2" Plated SAE
26	G10397	1	Hex Head Cap Screw, 1/2"-13 x 2 3/4"
27	G3310-114	2	Chain, No. 40, 114 Pitch Including Connector Link (Transmission)
	G3310-100	2	Chain, No. 40, 100 Pitch Including Connector Link (Contact Drive)
	GR0912	-	Connector Link, No. 40
28	G10315001	1	Dry Fertilizer Transmission Chain Shield
29	G10268301	1	Hydraulic Hose Cover Plate

(102419)

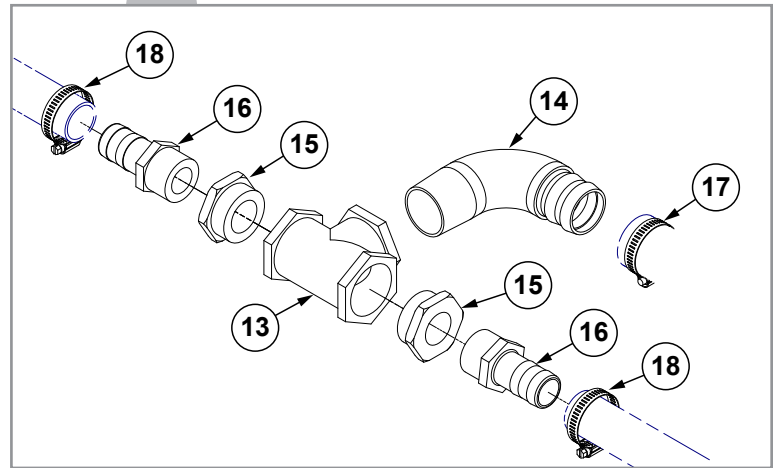
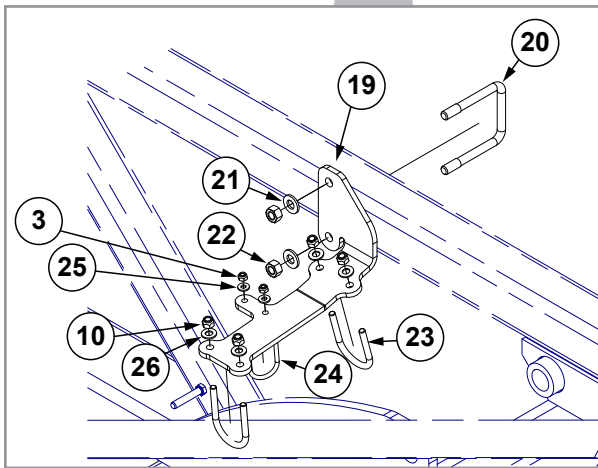
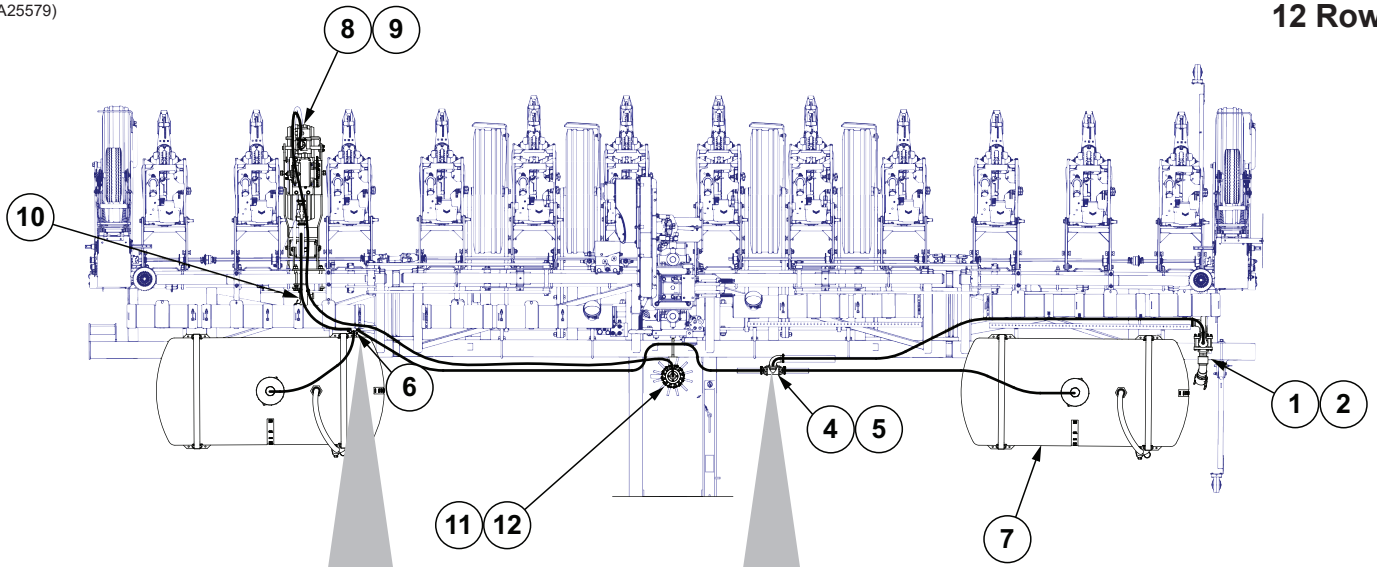


TRANSMISSION CHAIN SHIELDS

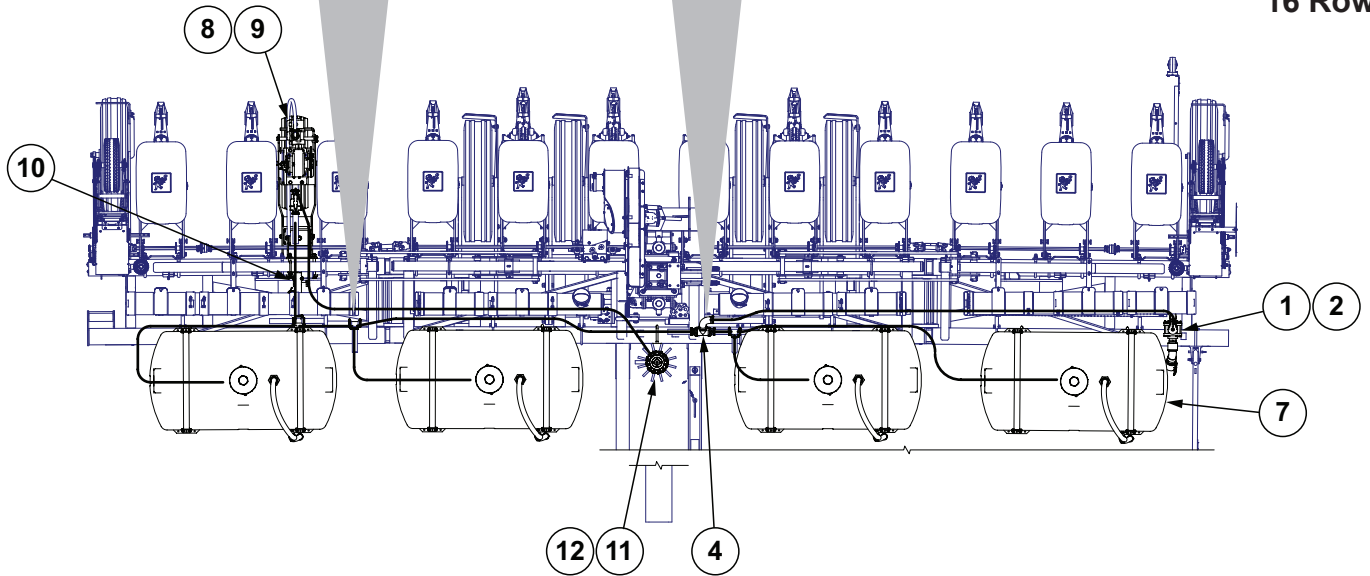
ITEM	PART NO.	QTY.	DESCRIPTION
1	GA9843	2	Ratchet/Sprocket Assembly, 30 Tooth
2	GA9558	1	Idler Assembly
3	GA7154	1	Sprocket W/Bearing, 18 Tooth
4	GA12192	4	Sprocket, 22 Tooth
5	GA5194	1	Sprocket, 50 Tooth
6	G10306801	1	Shaft, 7/8" x 12.5"
7	G10306701	1	Shaft, 7/8" x 35"
8	GD5857	1	Spring
9	GD7889	1	Bushing, 1" O.D. x 9/16" I.D. x 7/16" Long
10	G2100-03	5	Bearing, 7/8" Hex Bore, Spherical
11	G3400-01	10	Flangette
12	G10602	7	Spring Pin, 1/4" x 1 1/2"
13	G10036	1	Hex Head Cap Screw, 5/8"-11 x 4"
14	G10595	1	Hex Head Cap Screw, 3/8"-16 x 10"
15	G10303	15	Carriage Bolt, 5/16"-18 x 1"
16	G10107	1	Lock Nut, 5/8"-11
17	G10108	1	Lock Nut, 3/8"-16
18	G10111	1	Lock Nut, 1/2"-13
19	G10503	1	Hex Jam Nut, 5/8"-11, Grade 2
20	G10620	15	Serrated Flange Nut, 5/16"-18
21	G10168	1	Machine Bushing, 1/2", 7 Gauge (.1793")
22	G10233	20	Machine Bushing, 1 1/2" x 1/32", 10 Gauge (.1345")
23	G10345	6	Machine Bushing, 1", 14 Gauge (.0747")
24	G11391	2	Flat Washer, 5/8" SAE
25	G11389	2	Flat Washer, 1/2" Plated SAE
26	G10397	1	Hex Head Cap Screw, 1/2"-13 x 2 3/4"
27	G3310-114	4	Chain, No. 40, 114 Pitch Including Connector Link (Transmission)
	G3310-100	2	Chain, No. 40, 100 Pitch Including Connector Link (Contact Drive)
	GR0912	-	Connector Link, No. 40
28	G10315001	1	Dry Fertilizer Transmission Chain Shield
29	G10268301	1	Hydraulic Hose Cover Plate

(A25579)

12 Row

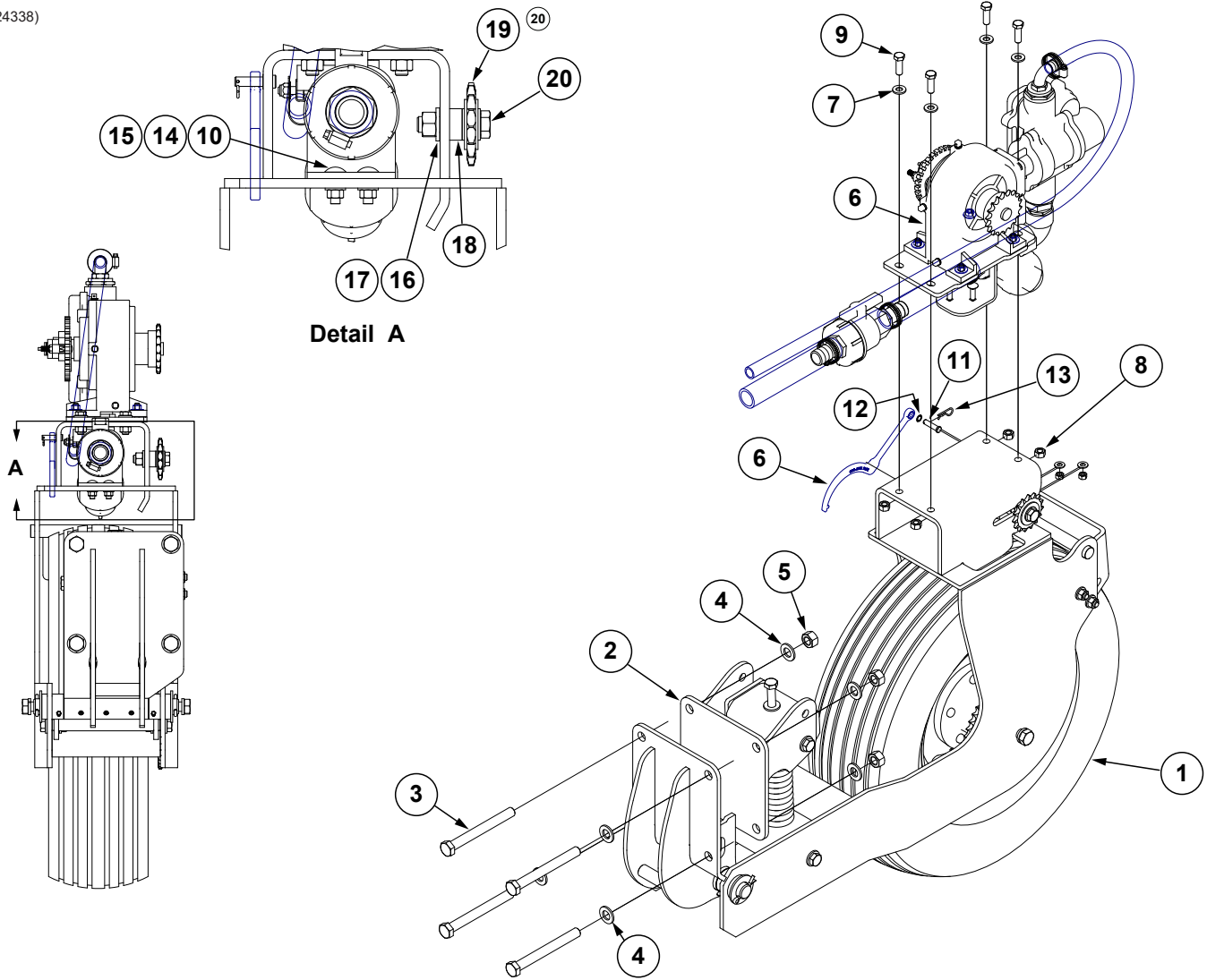


16 Row



ITEM	PART NO.	QTY.	DESCRIPTION
1	---	1	<a href="#">See "Liquid Fertilizer Fill Valve Mounting Assembly" on page P303</a>
2	G4201-03	1	Hose, 2" x 18'
3	G10110	2	Lock Nut, 1/4"-20, Grade B
4	G4200-05	1	Hose, 1 1/4" x 50'
5	GA14111	6	Hose Guide (Bulk Fill Only)
	G10004	6	Hex Head Cap Screw, 3/8"-16 x 1 1/4"
	G11091	6	Serrated Flange Nut, 3/8"-16
6	G10633	1	Tee, 1 1/4" Barb
	G10674	3	Hose Clamp, No. 24
7	---	-	<a href="#">See "Liquid Fertilizer Tanks, Saddles, Saddles Mounts, and Tank Fittings (Bulk Fill, GCD)" on page P294</a>
	---	-	<a href="#">See "Liquid Fertilizer Tanks, Saddles, Saddles Mounts, and Tank Fittings (Conventional, GCD)" on page P292</a>
8	GA24338	1	<a href="#">See "Piston Pump Mount and Ground Drive Wheel (GCD)" on page P290</a>
9	G4205-14	1	Hose, 3/4" x 228"
10	G10108	4	Lock Nut, 3/8"-16
11	---	-	<a href="#">See "Liquid Piston Pump Flow Divider Mount (GCD)" on page P302</a>
12	G4301-08	1	Hose, 3/8" x 250'
13	G10888	1	Tee, 2" Female NPT
14	G10630	1	Elbow, 90°, 2" NPT To Barb
15	G10616	2	Reducing Bushing, 2" Male NPT To 1 1/4" Female
16	G10626	2	Adapter, 1 1/4" NPT To Barb
17	G10676	1	Hose Clamp, No. 36, Stainless Steel
18	G10674	2	Hose Clamp, No. 24
19	GD33831	1	Hose Holder
20	GD4743	1	U-Bolt, 3" x 3" x 1/2"-13
21	G11389	2	Flat Washer, 1/2" Plated SAE
22	G10102	2	Hex Nut, 1/2"-13
23	GD10530	2	U-Bolt, 2 1/8" x 1 1/8" x 3/8"-16
24	GD10963	1	U-Bolt, 1 1/2" x 1 5/16" x 1/4"-20
25	G11385	2	Flat Washer, 1/4" SAE
26	G11387	4	Flat Washer, 3/8" SAE

(A24338)

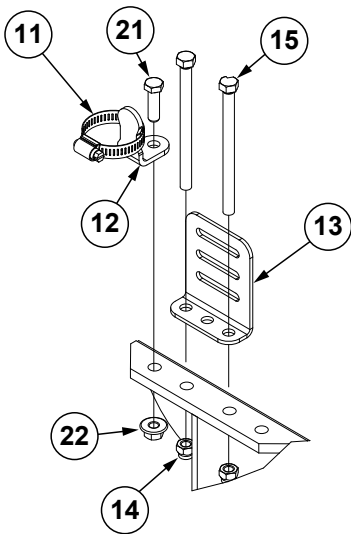
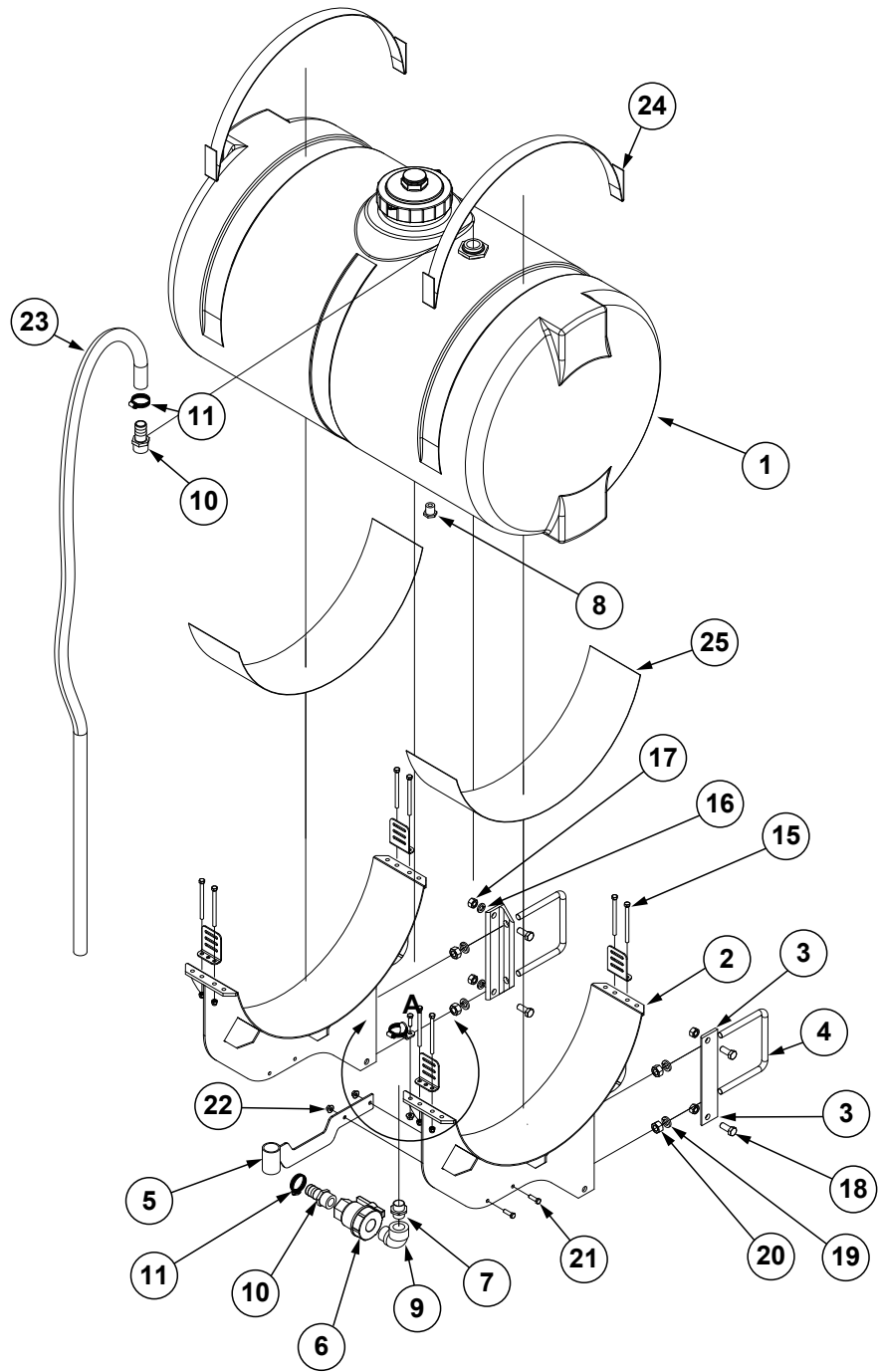


ITEM	PART NO.	QTY.	DESCRIPTION
1	GA24329	1	Drive Wheel Mount
2	GA24334	1	Wheel Arm Mount
3	G10057	4	Hex Head Cap Screw, 3/4"-10 x 7"
4	G11392	7	Flat Washer, 3/4" SAE
5	G10105	4	Hex Nut, 3/4"-10
6	GA24340	1	Piston Pump Pre-Assembly
7	G11389	4	Flat Washer, 1/2" Plated SAE
8	G10102	4	Hex Nut, 1/2"-13
9	G10017	4	Hex Head Cap Screw, 1/2"-13 x 1 1/2"
10	G10599	2	Carriage Bolt, 3/8"-16 x 1 1/4"
11	G10166	1	Clevis Pin, 3/8" x 1 1/2"
12	G10860	1	Retaining Ring, 3/8"
13	G10670	1	Hair Pin Clip, No. 3
14	G10101	2	Hex Nut, 3/8"-16
15	G11387	2	Hardened Washer, 3/8" SAE
16	G11391	1	Flat Washer, 5/8" SAE
17	G10104	1	Hex Nut, 5/8"-11
18	GD7817-04	1	Spacer, 1 1/16" I.D. x 1/2" Long
19	GA0262	1	Idler Sprocket W/Bearing, 15 Tooth
20	G10009	1	Hex Head Cap Screw, 5/8"-11 x 2 1/2"
21	G3200-63	1	Chain



(A24346)

150 Gal.

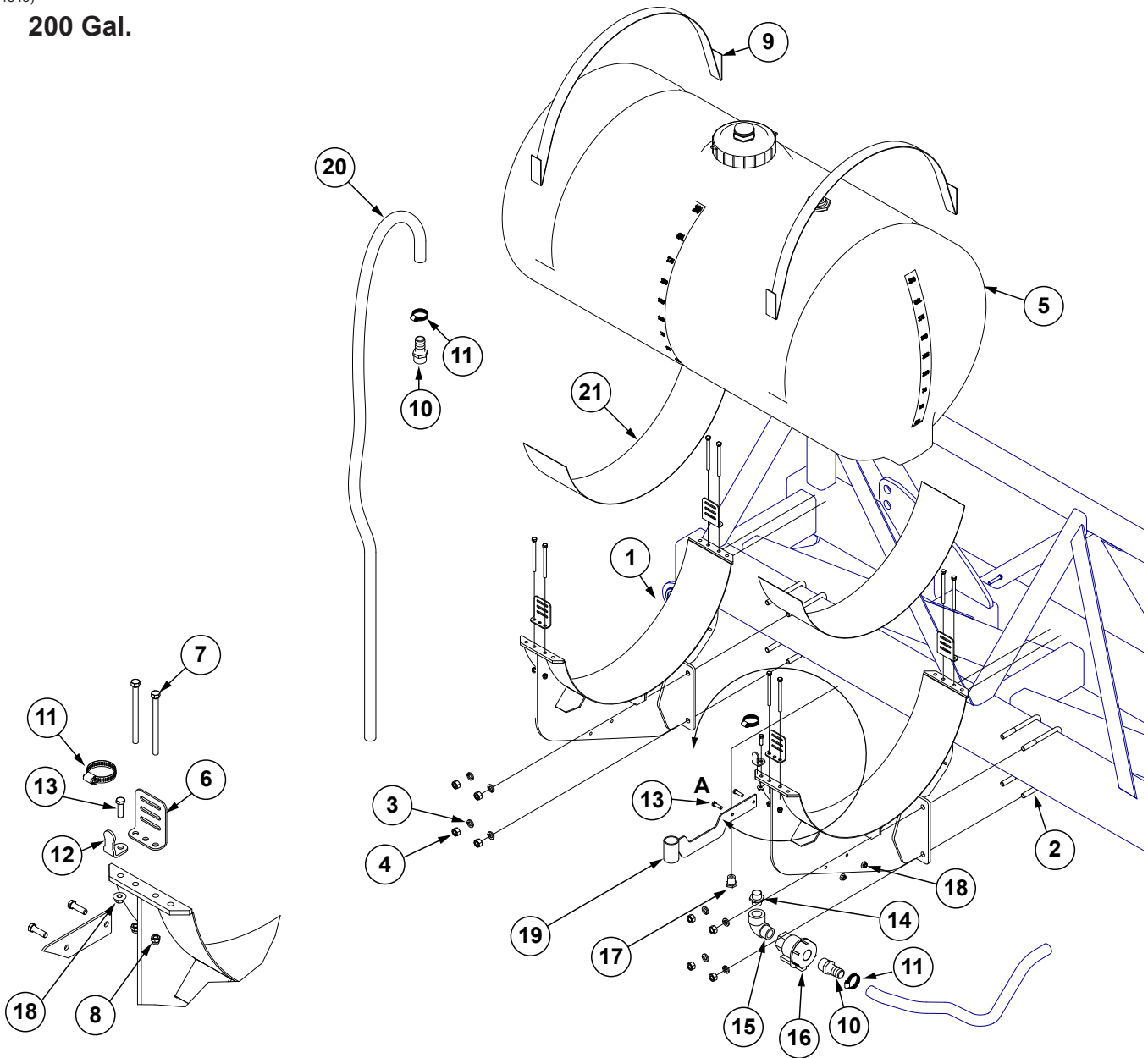


Detail A

ITEM	PART NO.	QTY.	DESCRIPTION
1	G10856502	1	Tank W/Lid and Fittings, 150 Gallon
	GA16428	1	Lid, 7" W/Vacuum Breaker (Included W/G10856502)
	GA16157	1	Vacuum Breaker
	GR1708	1	¾" Bulkhead Overflow Fitting Assembly (Overflow Fitting, Nut, Bushing, And O-Ring) (Top And Bottom Of Tank) (Included W/G10856502)
	GR0508	2	1¼" Polypropylene Fitting Assembly (Nut, Bushing And O-Ring) (Bottom Of Tank) (Included W/G10856502)
	GR1941	1	Seal (Included W/G10856502)
	G10096	1	Pipe Plug, ¾" NPT
2	GA7133	2	Tank Mount (2 Per Tank)
3	GD10110	2	Mounting Angle (2 Per Tank)
4	GD1747	2	U-Bolt, 5" x 7" x ¾"-10
5	GA14112	1	Hose Guide
6	GA4976	1	Shutoff Valve, 1¼" NPT
7	G10619	1	Close Nipple, 1¼" NPT
8	G10096	1	Pipe Plug, ¾" NPT
9	G10887	1	Elbow, 90°, 1¼" Male NPT To Female
10	G10626	2	Adapter, 1¼" NPT To Barb
11	G10674	3	Hose Clamp, No. 24
12	GD20060	1	Hose Bracket
13	GD11123	4	Anchor <b>(Sub GA8114)</b>
14	G10901	8	Lock Nut, ⅜"-16
15	G10485	8	Hex Head Cap Screw, ⅜"-16 x 5"
16	G10230	4	Lock Washer, ⅝"
17	G10104	4	Hex Nut, ⅝"-11
18	G10007	4	Hex Head Cap Screw, ⅝"-11 x 1½"
19	G10231	4	Lock Washer, ¾"
20	G10105	4	Hex Nut, ¾"-10
21	G10004	3	Hex Head Cap Screw, ⅝"-16 x 1¼"
22	G11091	3	Serrated Flange Nut, ⅝"-16
23	G4602-21	1	Black Helix Hose, 1¼" x 7.8'
24	GD11124	2	Strap, 84"
25	GD1862	-	Tank Pad, 8" x 14' Roll

(A24345)

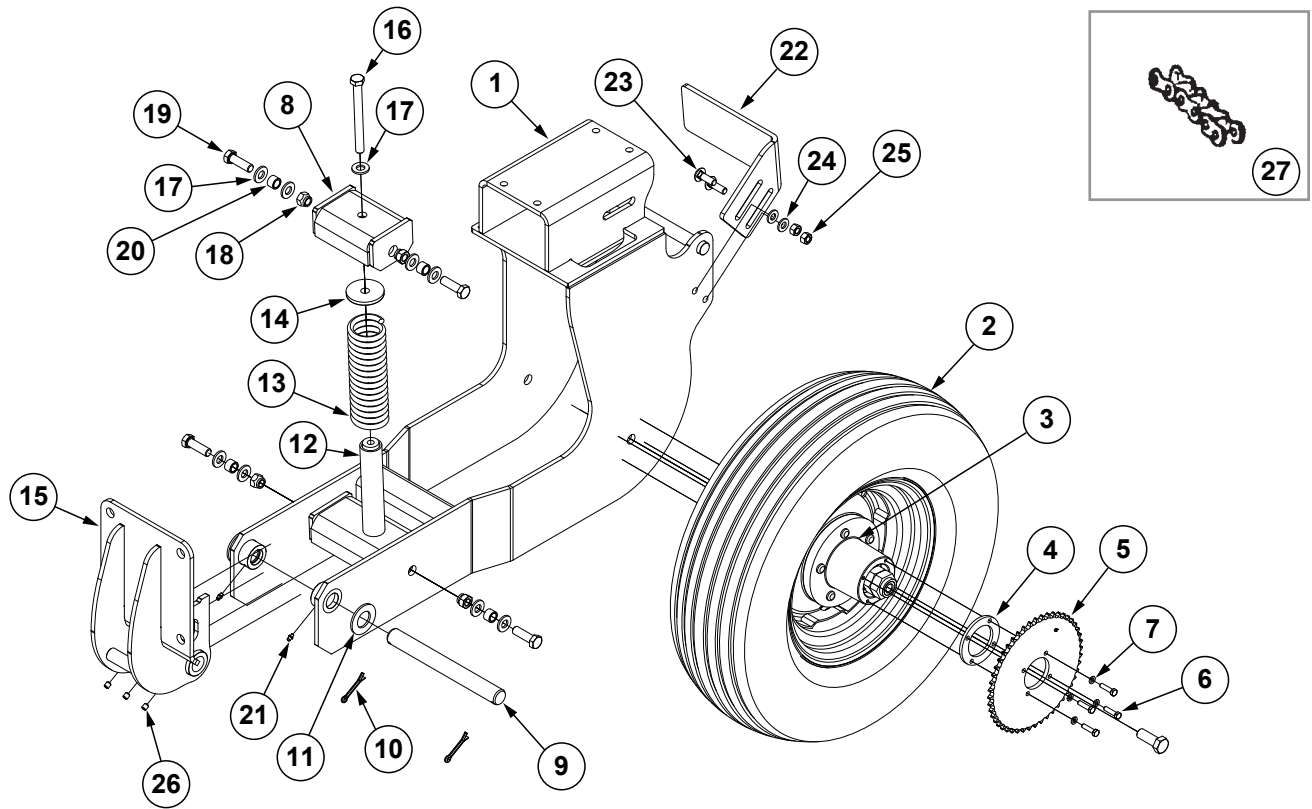
200 Gal.



Detail A

ITEM	PART NO.	QTY.	DESCRIPTION
1	G10630101	2	200 Gallon Tank Mount
2	GD1113	4	U-Bolt, 5" x 7" x 5/8"-11
3	G11391	8	Flat Washer, 5/8" SAE
4	G10107	8	Lock Nut, 5/8"-11
5	G10856602	1	Tank W/Sealed Lid, 200 Gallon
	GA16428	1	Lid, 7" W/Vaccum Breaker (Included W/G10856602)
	GA16157	1	Vacuum Breaker
	GR1708	1	3/4" Bulkhead Overflow Fitting Assembly (Overflow Fitting, Nut, Bushing, And O-Ring) (Top And Bottom Of Tank) (Included W/G10856602)
	GR0508	2	1 1/4" Polypropylene Fitting Assembly (Nut, Bushing And O-Ring) (Bottom Of Tank) (Included W/G10856602)
	GR1941	1	Seal (Included W/G10856602)
6	GD11123	4	Anchor ( <b>Sub GA8114</b> )
7	G10485	8	Hex Head Cap Screw, 3/8"-16 x 5"
8	G10901	8	Lock Nut, 3/8"-16
9	GD11124	2	Strap, 84"
10	G10626	2	Adapter, 1 1/4" NPT To Barb
11	G10674	3	Hose Clamp, No. 24
12	GD20060	1	Hose Bracket
13	G10004	3	Hex Head Cap Screw, 3/8"-16 x 1 1/4"
14	G10619	1	Close Nipple, 1 1/4" NPT
15	G10887	1	Elbow, 90°, 1 1/4" Male NPT To Female
16	GA4976	1	Shutoff Valve, 1 1/4" NPT
17	G10096	1	Pipe Plug, 3/4" NPT
18	G11091	3	Serrated Flange Nut, 3/8"-16
19	GA14112	1	Hose Guide
20	G4602-21	1	Black Helix Hose, 1 1/4" x 7.8'
21	GD1862	1	Tank Pad, 8" x 14' Roll

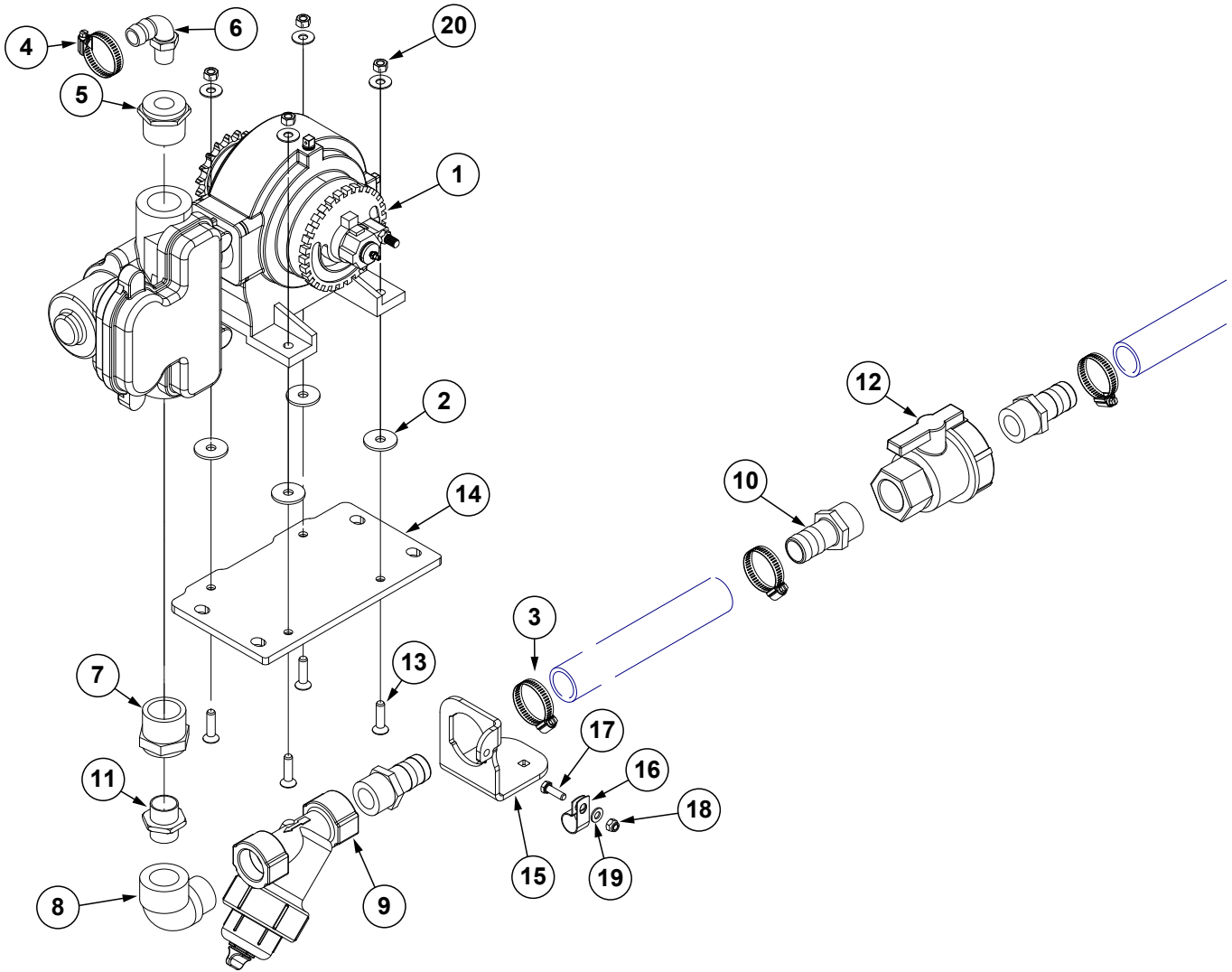
(A24329)



ITEM	PART NO.	QTY.	DESCRIPTION
1	GA24330	1	Piston Pump Wheel Arm
2	GD0844	1	Tire, 7.60" x 15", 8 Ply (Specify Brand*)
	GD1166	1	Valve Stem
	GA0241	1	Wheel, 5" x 15"
3	GA0547	1	Hub W/Cups And Studs, 5 Bolt
	GR0190	2	Cup (Included W/GA0547)
	GR0204	5	Stud (Included W/GA0547)
4	GD33822	1	Ground Drive Sprocket Distance Plate
5	G2500-84	1	Sprocket, 48 Tooth
6	G10171	4	Hex Head Cap Screw, 5/16"-18 x 1 1/4"
7	G10232	4	Lock Washer, 5/16"
8	GA24331	1	Top Spring Mount
9	GD29104-13	1	Pin, 1 1/4" O.D. x 1 1/2"
10	G10460	2	Cotter Pin, 1/4" x 2"
11	G11396	2	Flat Washer, 1 1/4" SAE
12	GA24332	1	Spring Mount
13	GD7831	1	Compression Spring
14	GB0196	1	Washer
15	GA24333	1	Wheel Arm Mount
16	G10012	1	Hex Head Cap Screw, 5/8"-11 x 6 1/2"
17	G11391	9	Flat Washer, 5/8" SAE
18	G10107	4	Lock Nut, 5/8"-11
19	G10008	4	Hex Head Cap Screw, 5/8"-11 x 2"
20	GB0218	4	Bushing, 2 1/32" I.D. x 7/8" O.D. x 1 9/32" Long
21	G10640	2	Grease Fitting, 1/4"-28
22	GD34178	1	Slotted Scraper, R.H.
23	G10636	2	Carriage Bolt, 1/2"-13 x 1 1/2"
24	G11389	2	Flat Washer, 1/2" Plated SAE
25	G10102	2	Hex Nut, 1/2"-13
26	G10073	3	Hex Set Screw, 3/8"-16 x 7/16"
27	G3200-63	1	Chain, No. 2050, 63 Pitch Including Connector Link, Used With NGP-7055 Piston Pump

\* Specific brand requests will be supplied only as available from current Kinze Repair Parts stock. If a specific brand requested is not in stock, the brand available will be supplied. Different brand tires may have different diameters. Change in tire brand may affect rates. Field checks are recommended after any change in tires.

(A24340)



ITEM	PART NO.	QTY.	DESCRIPTION
1	GA12335	1	<a href="#">See "Liquid Fertilizer Piston Pump (Uses 18 Tooth Sprocket) (GCD)" on page P300</a>
2	GR1122	4	Mounting Pad
3	G10674	3	Hose Clamp, No. 24
4	G10278	1	Hose Clamp, No. 16
5	G11237	1	Reducing Bushing, 1½" Male NPT To ¾" Female
6	G10917	1	Elbow, 90°, ¾" NPT To Barb
7	G10615	1	Reducing Bushing, 1½" Male NPT To 1¼" Female
8	G10887	1	Elbow, 90°, 1¼" Male NPT To Female
9	GA3893	1	Strainer Complete
	GR0880	-	Screen, No. 40 Mesh (Included W/GA3893)
	GR0881	-	Gasket (Included W/GA3893)
	GR0882	-	Y-Body (Included W/GA3893)
	GR0883	-	End Cap (Included W/GA3893)
10	G10626	3	Adapter, 1¼" NPT To Barb
11	G10619	1	Close Nipple, 1¼" NPT
12	GA4976	1	Shutoff Valve, 1¼" NPT
13	G11289	4	Hex Flat Head Cap Screw, ⅜"-16 x 1½"
14	GD33819	1	Piston Pump Adaptor Plate
15	GD33820	1	Hose Holder Under Piston Pump
16	GD20095	1	Insulated Clamp
17	G10019	1	Hex Head Cap Screw, ⅝"-18 x 1"
18	G11182	1	Lock Nut W/Nylon Insert, ⅝"-18
19	G11386	1	Flat Washer, ⅝" SAE
20	G10101	4	Hex Nut, ⅜"-16
	G10210	4	Washer, ⅜" USS



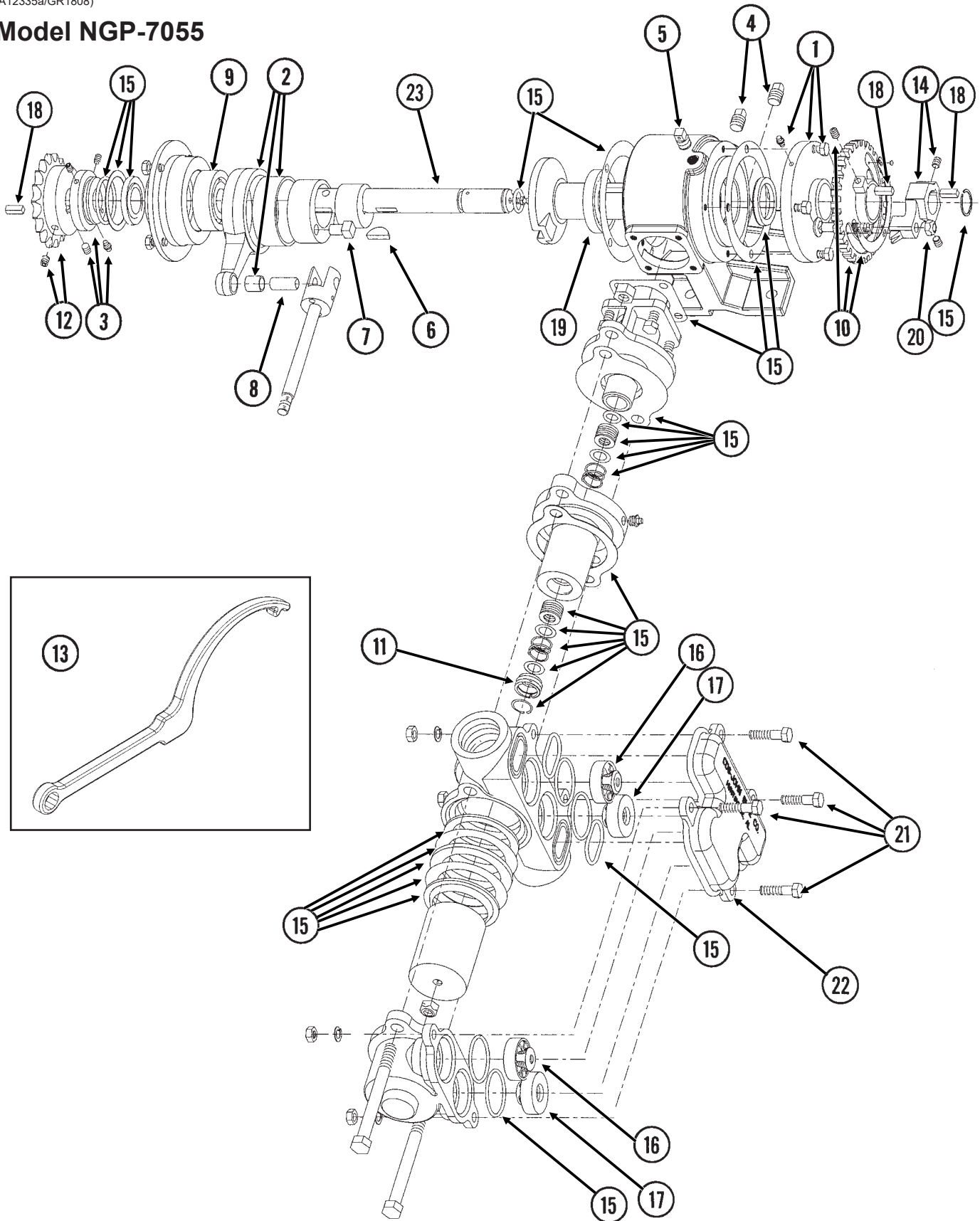
# Liquid Fertilizer Piston Pump (Uses 18 Tooth Sprocket) (GCD)

Model 3605

M0312-02

(A12335a/GR1808)

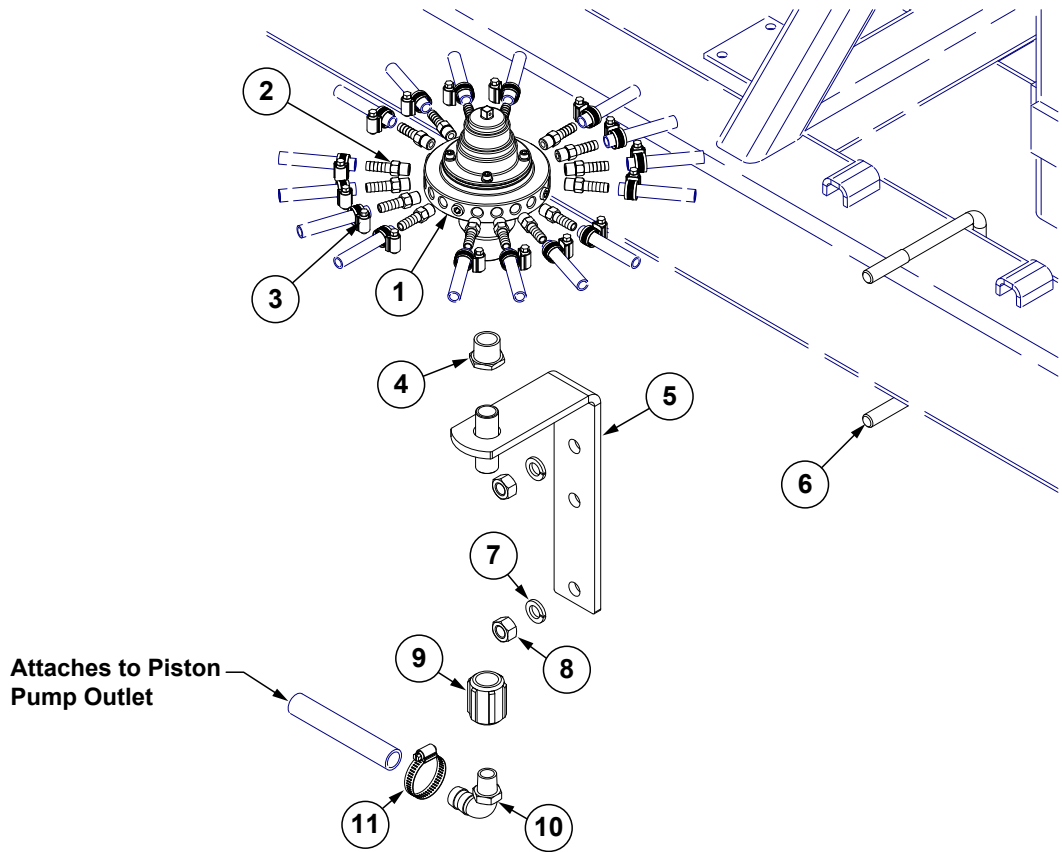
## Model NGP-7055



ITEM	PART NO.	QTY.	DESCRIPTION
1	GR1804	1	Flange Cover Assembly
	G10991	4	Hex Head Cap Screw, 5/16"-18 x 7/8"
2	GR1803	1	Connecting Rod Assembly
3	GR1801	1	Spacer Assembly
	G10693	3	Hex Socket Head Set Screw, 5/16"-18 x 3/8"
4	GR1123	2	Plug
5	GR1543	1	Vent Plug
6	GR1112	1	Woodruff Key
7	GR1120	1	Eccentric Pin
8	GR1124	1	Pin
9	GR1104	1	Bearing
10	GR1805	1	Setting Hub Assembly
11	GR1134	1	Stuffing Box Insert
12	GR1146	1	Sprocket, 18 Tooth
13	GR1808	1	Adjustment Wrench
14	GR1806	1	Setting Pointer Assembly
15	GR1796	1	Repair Kit, Includes: (6) Gaskets, (9) O-Rings, (4) Washers, (1) Retaining Ring, (2) Oil Seals, (1) Snap Ring, (1) Thrust Washer, (1) Rod Bushing, (2) Flange Plunger Packings, (2) Packing Springs, (2) Rod Vee Packing Sets
16	GR1800	2	Discharge Valve Assembly
17	GR1798	2	Suction Valve Assembly
18	GR1118	3	Setting Arm Key
19	GR1116	1	Bearing
20	G10306	1	Carriage Bolt, 3/8"-16 x 2"
	G10108	1	Lock Nut, 3/8"-16
21	G10003	4	Hex Head Cap Screw, 3/8"-16 x 1 1/2"
	G11387	4	Flat Washer, 3/8" SAE
	G10229	4	Lock Washer, 3/8"
	G10101	4	Hex Nut, 3/8"-16
22	GR2011	1	Valve Cover, NPG-7055
23	GR2185	-	Crankshaft
A	GA12335	-	Piston Pump Complete W/18 Tooth Sprocket (Model NGP-7055)

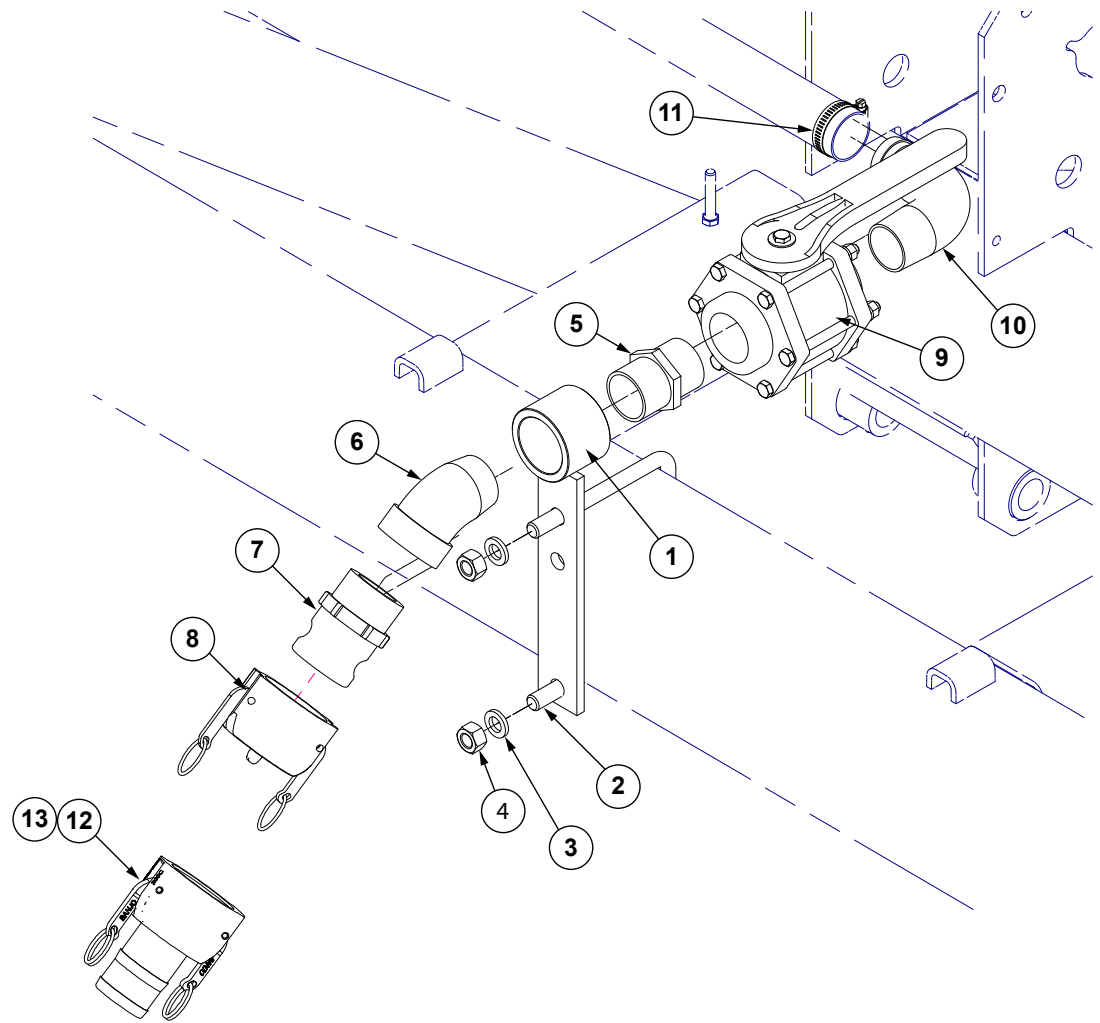
(A25559)

16 Row Shown



ITEM	PART NO.	QTY.	DESCRIPTION
1	GA8931 GA9407	- -	<a href="#">See "Liquid Fertilizer Piston Pump Flow Divider (GCD)" on page P304</a> <a href="#">See "Liquid Fertilizer Piston Pump Flow Divider (GCD)" on page P304</a>
2	GD11700	16	Adapter, 1/4" NPT To 3/8" Barb
3	G10681	32	Hose Clamp, No. 6
4	G10995	1	Reducing Bushing, 1" Male NPT To 3/4" Female, Stainless Steel
5	GA6527	1	Mount, 3/4" NPT
6	GD1113	1	U-Bolt, 5" x 7" x 5/8"-11
7	G10230	2	Lock Washer, 5/8"
8	G10104	2	Hex Nut, 5/8"-11
9	G11083	1	Coupler, 3/4" Female NPT
10	G10917	1	Elbow, 90°, 3/4" NPT To Barb
11	G10278	1	Hose Clamp, No. 16

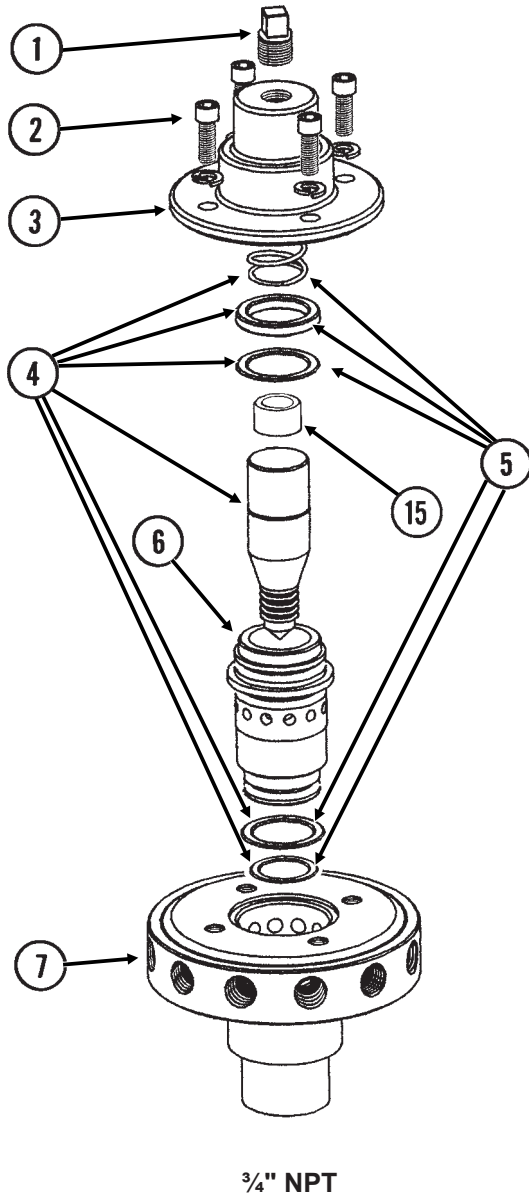
(A24342)



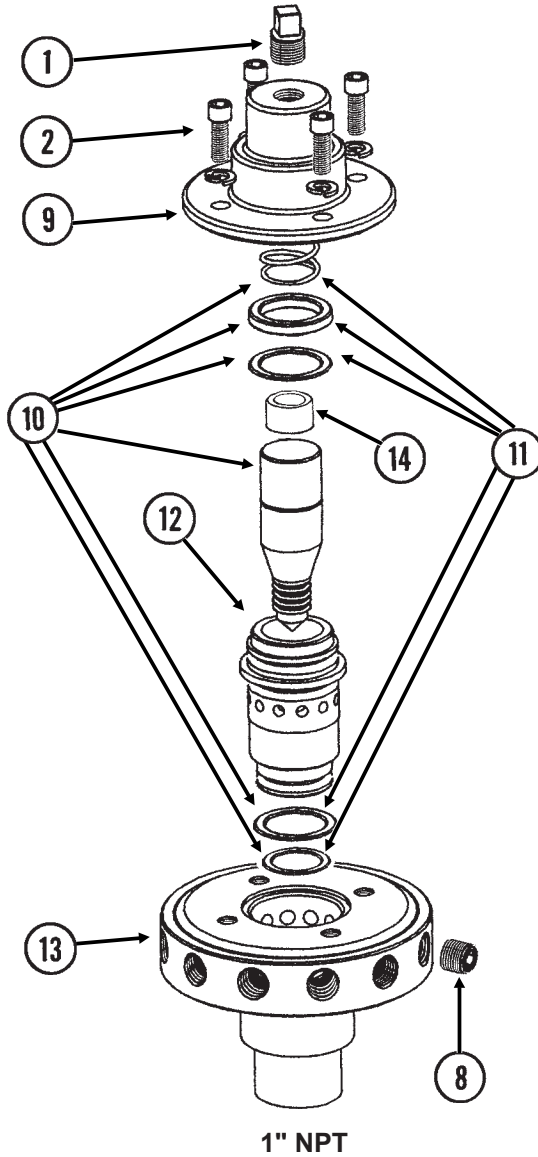
ITEM	PART NO.	QTY.	DESCRIPTION
1	GA7845	1	Quick Fill Mount, 2"
2	GD1113	1	U-Bolt, 5" x 7" x 5/8"-11
3	G11391	2	Flat Washer, 5/8" SAE
4	G10107	2	Lock Nut, 5/8"-11
5	G10623	1	Close Nipple, 2" NPT
6	G10889	1	Elbow, 45°, 2" Male NPT To Female
7	GD3623	1	Adapter, 2" Male NPT To Cam Lock
8	GD3951	1	Dust Cap, 2" Cam Lock
9	GA2660	1	Shutoff Valve, 2" NPT
10	G10630	1	Elbow, 90°, 2" NPT To Barb
11	G10676	1	Hose Clamp, No. 36, Stainless Steel
12	G10317801	1	Coupler, 2" Female x 2" Hose Barb
13	GD10777	1	Female Coupler Plug

(FRTZ159/PT40a/FRTZ202c)

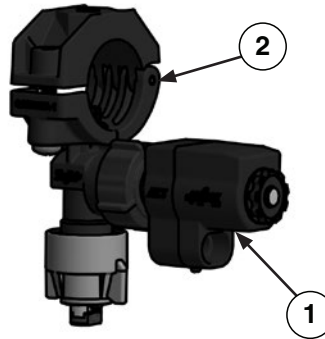
**Model FD-1200 Flow Divider,  
12 Outlet**



**Model FD-2000 Flow Divider,  
20 Outlet**

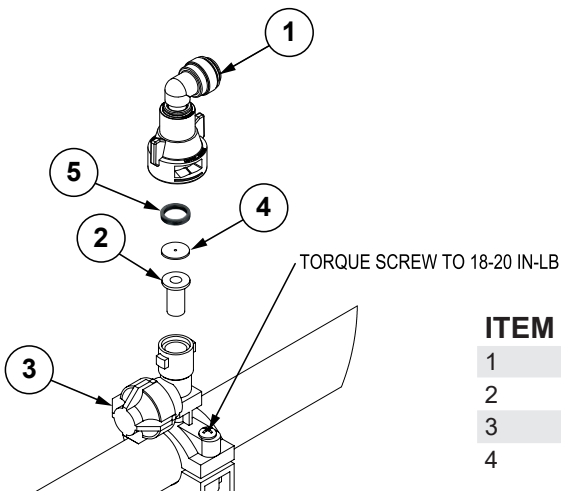


ITEM	PART NO.	QTY.	DESCRIPTION
1	GR1543	1	Vent Plug
2	GR1542	4	Hex Socket Head Screw, ¼"-20 x ¾"
	GR1541	4	Lock Washer, ¼", Stainless Steel
3	GR1540	1	Cap
4	GR1544	1	Needle Assembly W/Seal Kit (Item 22)
5	GR1545	1	Seal Kit, Includes: (3) O-Rings, (1) Seal, (1) Spring
6	GR1535	1	Sleeve
7	GR1533	1	Body, 12 Outlets
8	G10350	4	Hex Socket Head Plug, ¼" NPT, Stainless Steel
9	GR1566	1	Cap
10	GR1567	1	Needle Assembly W/Seal Kit (Item 22)
11	GR1568	1	Seal Kit, Includes: (3) O-Rings, (1) Seal, (1) Spring
12	GR1561	1	Sleeve
13	GR1559	1	Body, 20 Outlets
14	GR1575	1	Sleeve, Stainless Steel
15	GR1574	1	Sleeve, 1" O.D. x ½" Long, Stainless Steel
A	GA8931	1	Liquid Fertilizer Piston Pump Flow Divider Complete, 12 Outlet (Model FD-1200) (Items 1-7) (12 Row Sizes)
B	GA9407	1	Liquid Fertilizer Piston Pump Flow Divider Complete, 20 Outlet (Model FD-2000) (Items 1, 2 And 8-14) (16 Row Size)



ITEM	PART NO.	QTY.	DESCRIPTION
1	GA20732	-	Fertilizer Shut Off
2	GA14810	-	Nozzle Body
	G10608701	-	Nozze Body, Blank
A	GR2374	-	Seal Kit
B	GA20733	-	Fertilizer Shut Off Assembly (Items 1 and 2)

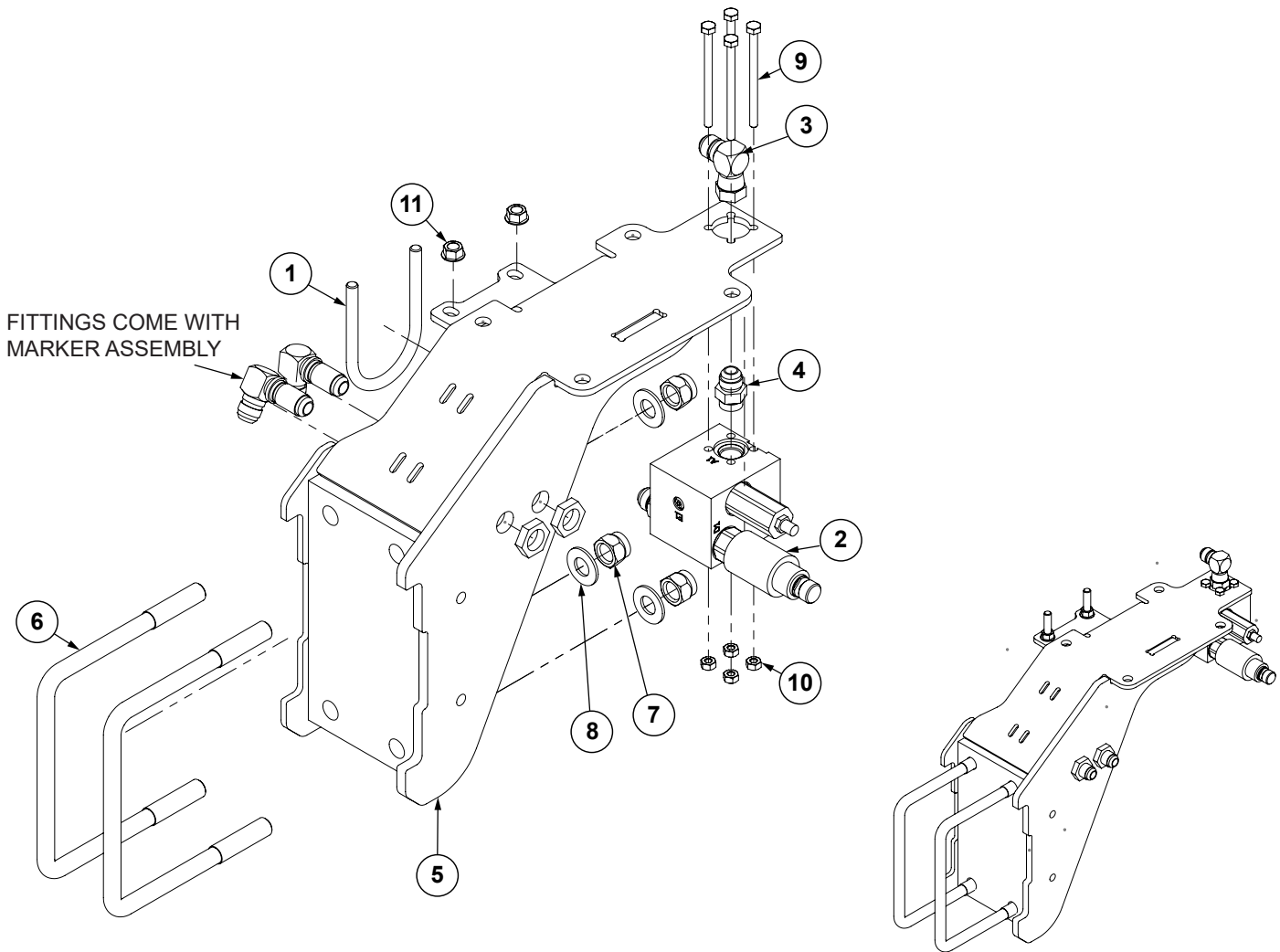
**Nozzle w/ Strainer**



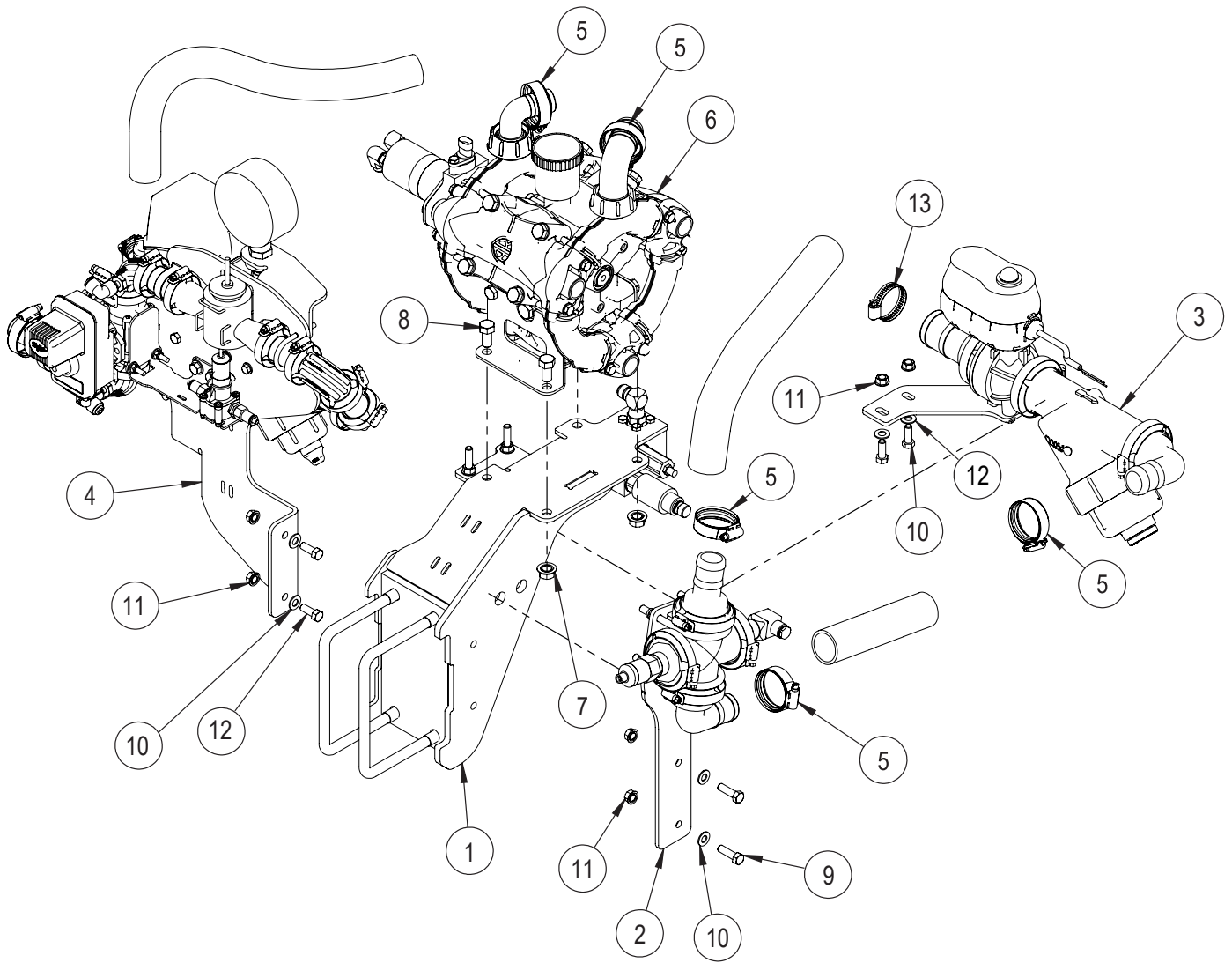
ITEM	PART NO.	QTY.	DESCRIPTION
1	G10522501	-	Fertilizer Manifold Cap
2	GD27290	-	Mesh Strainer
3	GA14810	-	Nozzle Body
4	G10804001	-	Orifice Package, .015
	GA17118	-	Orifice Package, .020
	GA17119	-	Orifice Package, .025
	GA19160	-	Orifice Package, .028
	GA19161	-	Orifice Package, .032
	GA19162	-	Orifice Package, .037
	GA19163	-	Orifice Package, .041
	GA19164	-	Orifice Package, .048
	GA19165	-	Orifice Package, .055
	GA19166	-	Orifice Package, .065
	G10804002	-	Orifice Package, .072
	GA19167	-	Orifice Package, .075
	G10804003	-	Orifice Package, .078
	G10804004	-	Orifice Package, .086
5	G10812401	-	Gasket

**This page left blank intentionally.**

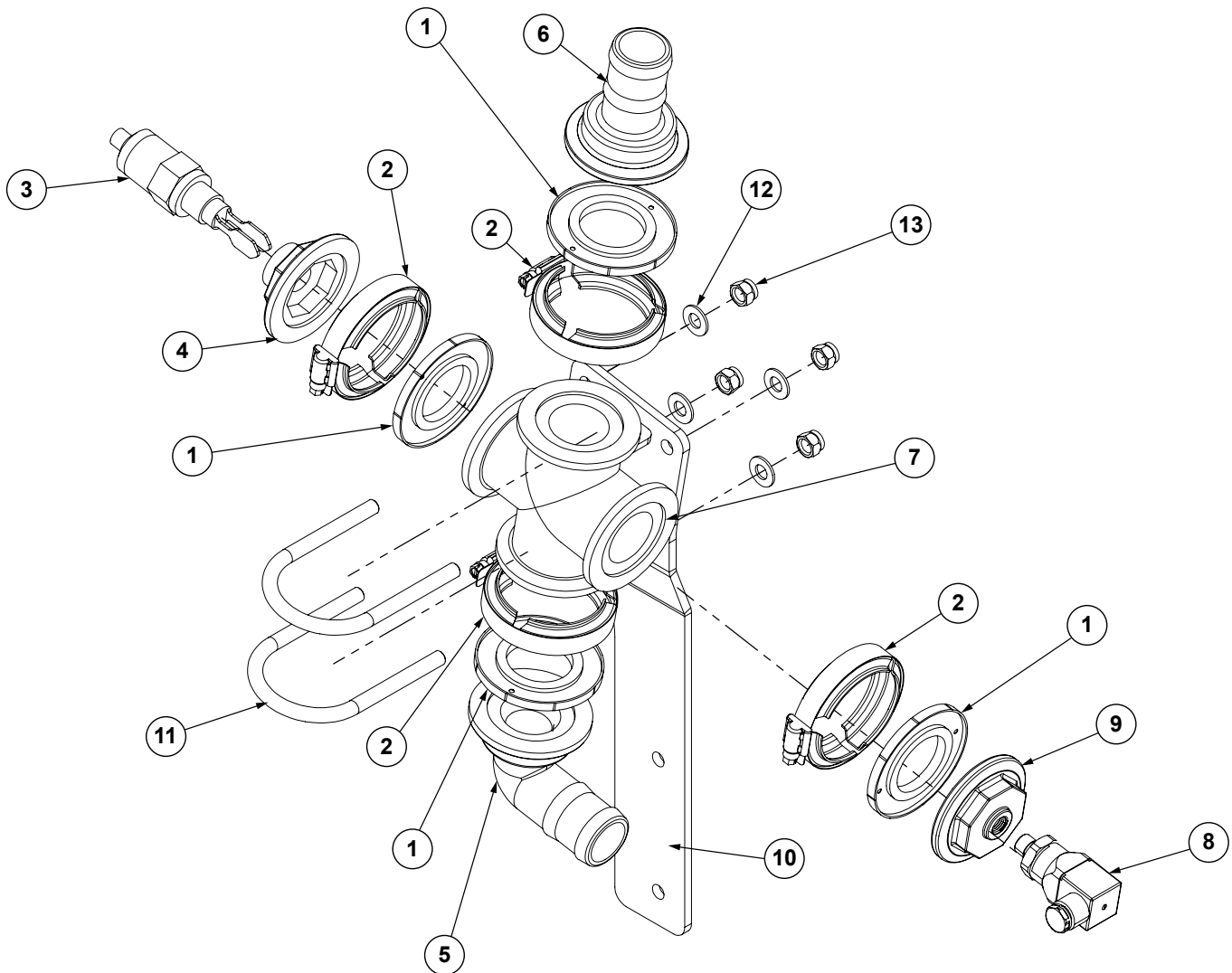




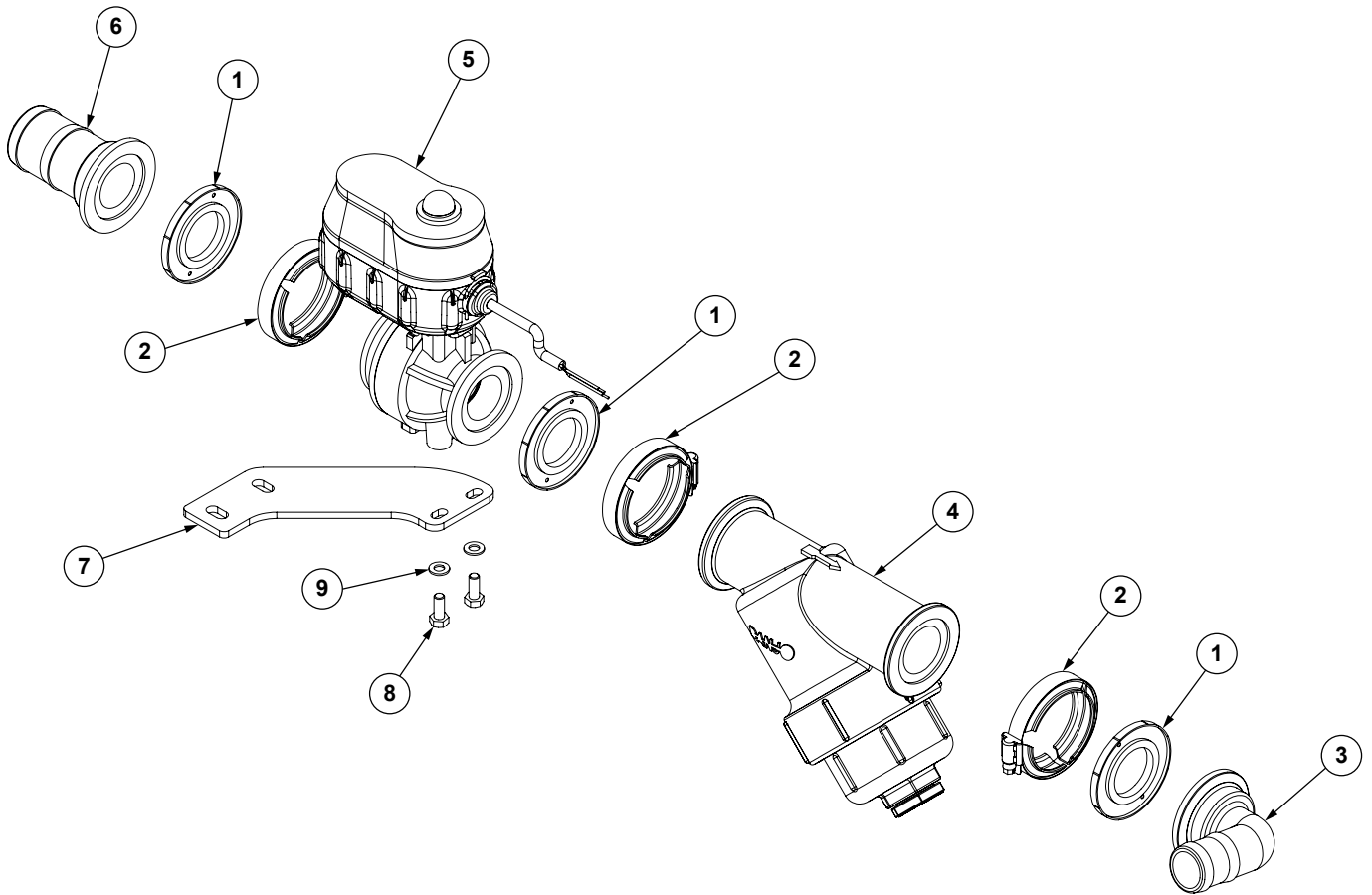
ITEM	PART NO.	QTY. (per Assy)	DESCRIPTION
1	G10510201	1	U-Bolt, 2-1/2" x 4-5/16"
2		-	<a href="#">See "Fertilizer Pump Hydraulic Block" on page P186</a>
3	G6500-08	1	Swivel Elbow, 90°, 3/4"-16 Male JIC To Female
4	G6400-08	1	Connector W/O-Ring, 3/4"-16 Male JIC To O-Ring
5	G10685701	1	Mount
6	GD1113	2	U-Bolt, 5" x 7" x 5/8"-11
7	G10107	4	Lock Nut, 5/8"-11
8	G11391	4	Flat Washer, 5/8" SAE
9	G11135	4	Hex Head Cap Screw, 1/4"-20 X 3 3/4"
10	G10103	4	Hex Nut, 1/4"-20
11	G11091	2	Serrated Flange Nut, 3/8"-16



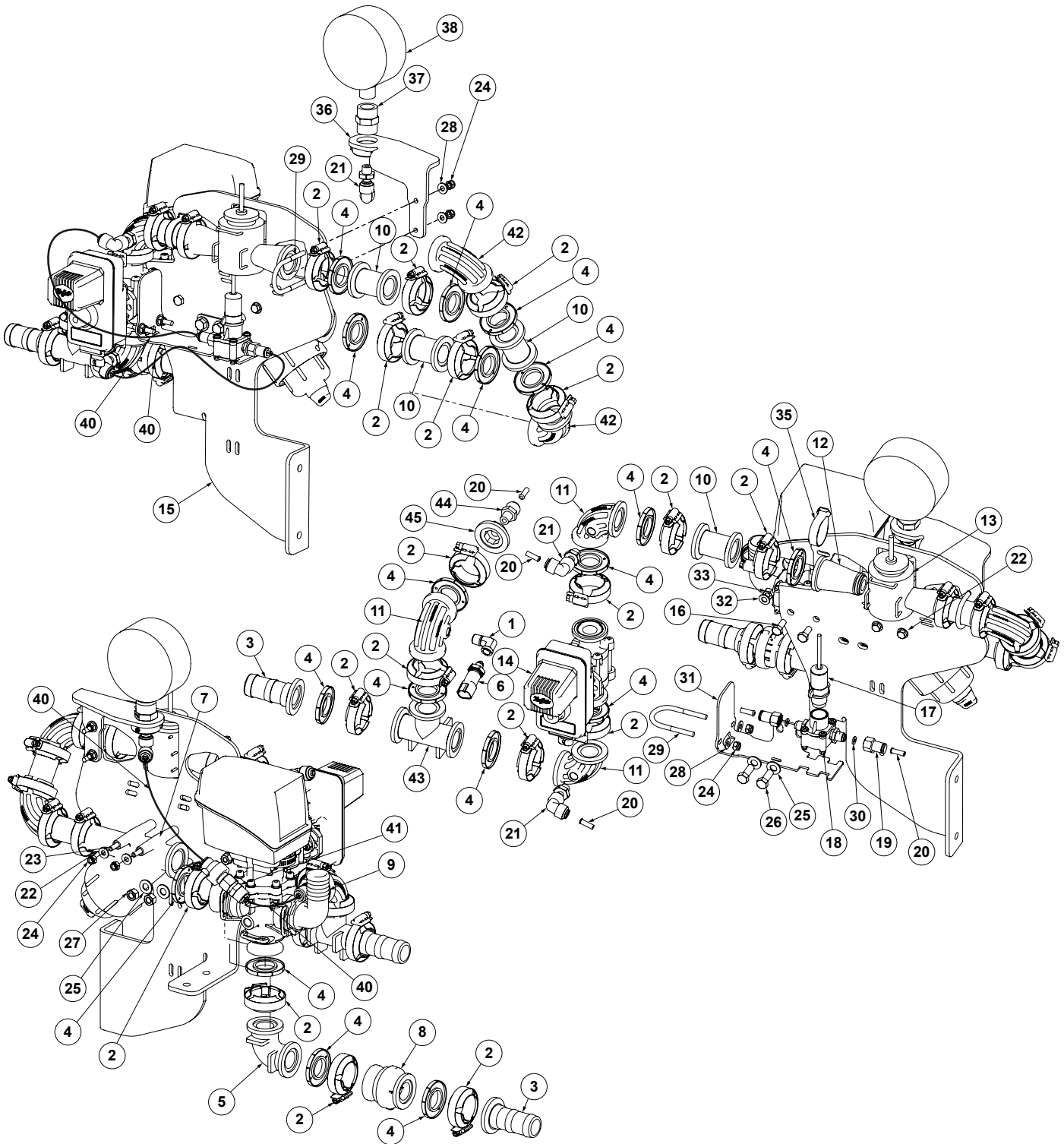
ITEM	PART NO.	QTY. (per Assy)	DESCRIPTION
1	-	-	<a href="#">See "Fertilizer Pump Mount" on page P308</a>
2	-	-	<a href="#">See "Fertilizer Sensors (Blue Drive)" on page P310</a>
3	-	-	<a href="#">See "Diaphragm Fertilizer Pump Ball Valve and Filter (Blue Drive)" on page P311</a>
4	-	-	<a href="#">See "Flow Meter Assembly (Blue Drive)" on page P312</a>
5	G10829101	8	Hose Clamp, 1-5/8" - 2-1/8"
6	-	-	<a href="#">See "Diaphragm Liquid Fertilizer Pump Assembly (Blue Drive)" on page P319</a>
7	G10071	4	Serrated Flange Nut, 1/2"-13
8	G10014	4	Hex Head Cap Screw, 1/2"-13 x 1"
9	G10004	2	Hex Head Cap Screw, 3/8"-16 x 1 1/4"
10	G10203	6	Washer, 3/8" SAE
11	G11091	6	Serrated Flange Nut, 3/8"-16
12	G10001	4	Hex Head Cap Screw, 3/8"-16 x 1"
13	G10676	1	Hose Clamp, No. 36, Stainless Steel



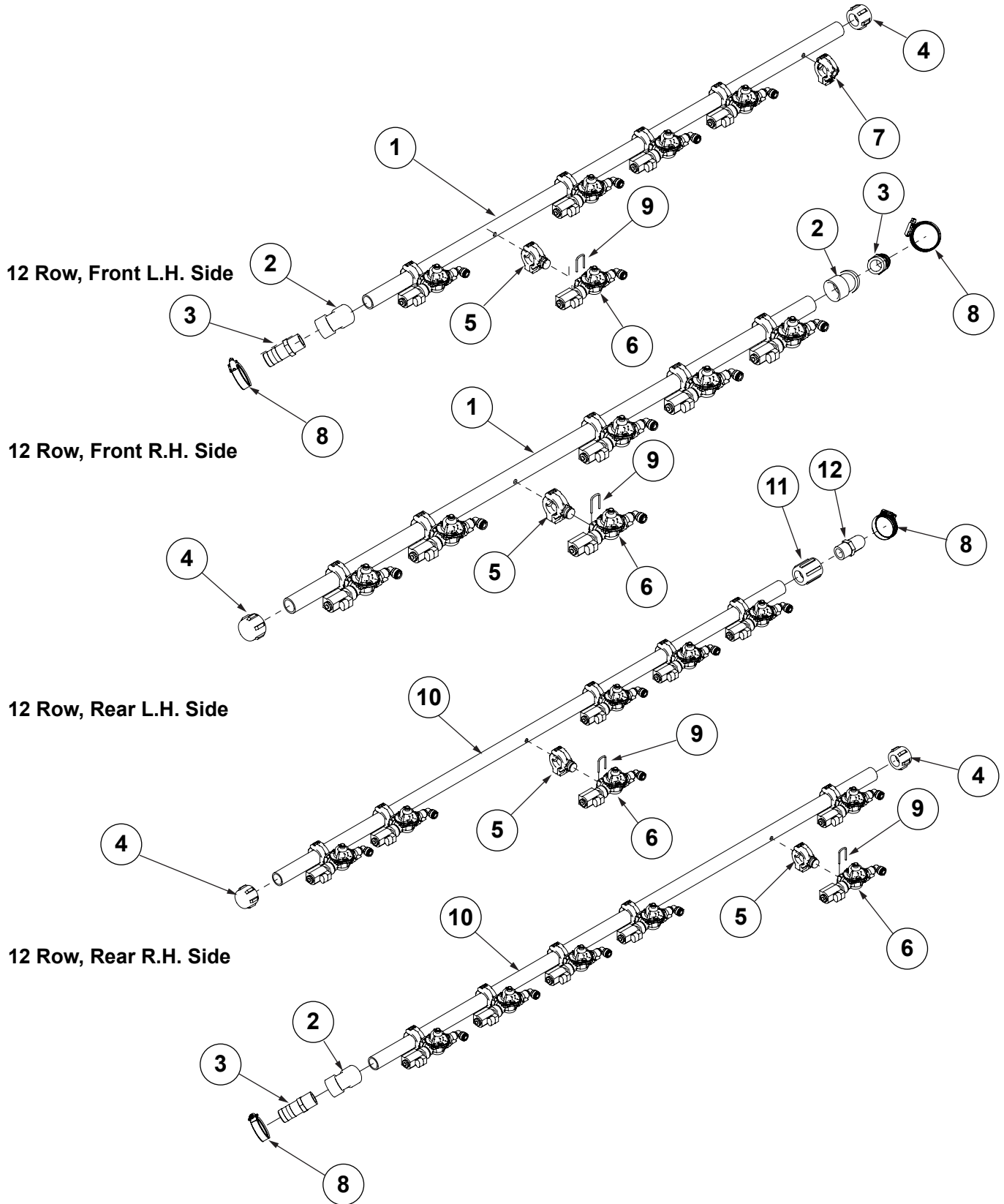
ITEM	PART NO.	QTY. (per Assy)	DESCRIPTION
1	G10406701	4	Skirted Flange Gasket, 2"
2	G11468	4	Flange Clamp SS 75 Series
3	GA18720	1	Liquid Level Sensor
4	G10425201	1	Plug w/ 1/2" Female NPT Port
5	G10437901	1	Elbow, 2" Flange x 1-1/2" Barb, 90°
6	G10464101	1	Adapter, 2" Flanged x 1-1/2" Hose Barb
7	GD26474	1	2" Flanged Cross
8	G10474501	1	Hydraulic Pressure Transmitter Sensor
9	G10474701	1	Plug, 2" Flanged w/ 1/4" FPT Port
10	G10678401	1	Mount Plate for fertilizer sensors
11	G10510201	2	U-Bolt, 2-1/2" x 4-5/16"
12	G11387	4	Hardened Washer, 3/8" SAE
13	G10108	4	Lock Nut, 3/8"-16



ITEM	PART NO.	QTY. (per Assy)	DESCRIPTION
1	G10406701	3	Skirted Flange Gasket, 2"
2	G11468	3	Flange Clamp SS 75 Series
3	G10437901	1	Elbow, 2" Flange x 1-1/2" Barb, 90°
4	G10398301	1	Manifold "Y" Strainer, 2" w/ 30 Mesh Screen
5	G10406601	1	Electrical Ball Valve
6	G11497	1	Adapter, 2" Flanged x 2" Hose Barb
7	G10682001	1	Ball Valve Mount Plate
8	G12003-20	2	Hex Head Cap Screw, M8-1,20
9	G12081	2	Flat Washer, M8



ITEM	PART NO.	QTY. (per Assy)	DESCRIPTION
1	G10580101	1	Reducer, 90°, 1/4"-18 NPT Male, X 1/8"-27 Female NPT
2	G11467	18	Flange Clamp SS 50 Series
3	G11458	2	Adapter 1" Flange x 1 1/4" Hose Barb
4	G10406801	18	Gasket, 1", Skirted, Flanged
5	G11574	1	1" Manifold Coupling, 90°
6	GA14804	1	Pressure Sensor (0-120 PSI)
7	G10398701	1	Manifold Strainer, "Y", 1". w/80 Mesh Screen
8	G10466101	1	Check Valve, 1" Manifold, Flanged
9	G10496401	1	Pressure Regulator
10	G11575	4	1" Flanged Straight Coupling
11	G11698	3	90° Elbow with 1/4" Gauge Port Flange Sweep
12	GD26304	2	Flow Meter Flanged Adapter
13	GA14813	1	Flow Meter
14	G10632101	1	Electric Ball Valve, 1" w/ Harness
15	G10681801	1	Filter Mount Plate
16	G12003-20	2	Hex Head Cap Screw, M8-1,20
17	G10629701	1	Sensor, Mini Flow Meter
18	G10629801	1	Mini Flow Meter
19	G10629901	2	Adapter, 1/4" BSP to 3/8" Push to Connect
20	GD29709	6	Support Tube
21	GA21614	3	90° Push-To-Connect Elbow
22	G10211	4	Washer, 1/4" SAE
23	G11203	2	Hex Head Cap Screw, 1/4"-20 x 4 1/2"
24	G10110	6	Lock Nut, 1/4"-20, Grade B
25	G10203	4	Washer, 3/8" SAE
26	G10001	2	Hex Head Cap Screw, 3/8"-16 x 1"
27	G10101	2	Hex Nut, 3/8"-16
28	G11385	4	Flat Washer, 1/4" SAE
29	GD26274	2	U-Bolt, 1-1/2" x 1/4"-20
30	G10636801	2	Sealing Rubber Washer
31	G10663901	1	Bracket, Mini Flow Meter
32	G12081	2	Flat Washer, M8
33	G12083	2	Hex Nut, M8-1,25
34	---	-	---
35	G10176901	1	Cable Tie, 1/2" x 12"
36	G10741301	1	Fertilizer Rail Pressure Gauge Mount
37	G5000-08-04	1	Coupling, 1/2"-14 FNPT x 1/4"-18 FNPT
38	GA21456	1	Pressure Gauge
39	G11242	3	Hex Socket Set Screw, 1/4"-20 x 3/8"
40	G10609002	1	Urethane Tube, 3/8" O.D., x 0.065" x 45"
41	G10771901	1	<a href="#">See "Orifice In-Line Housing" on page P339</a>
42	G10817701	2	Sweep Flange, 90°
43	G11583	1	1" Flanged Manifold Tee
44	GD29625	1	Connector, 1/4" NPT x 3/8"
45	G10618301	1	Flanged Plug, 1" w/ 1/4" Female NPT Port

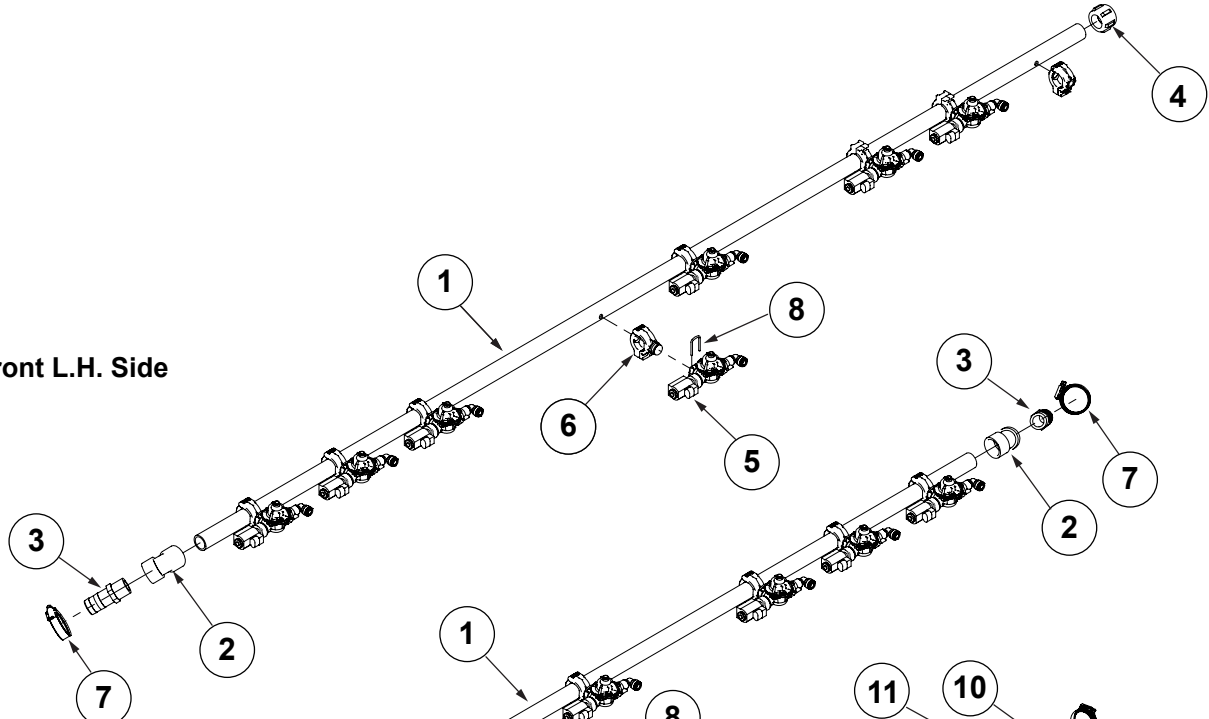


---

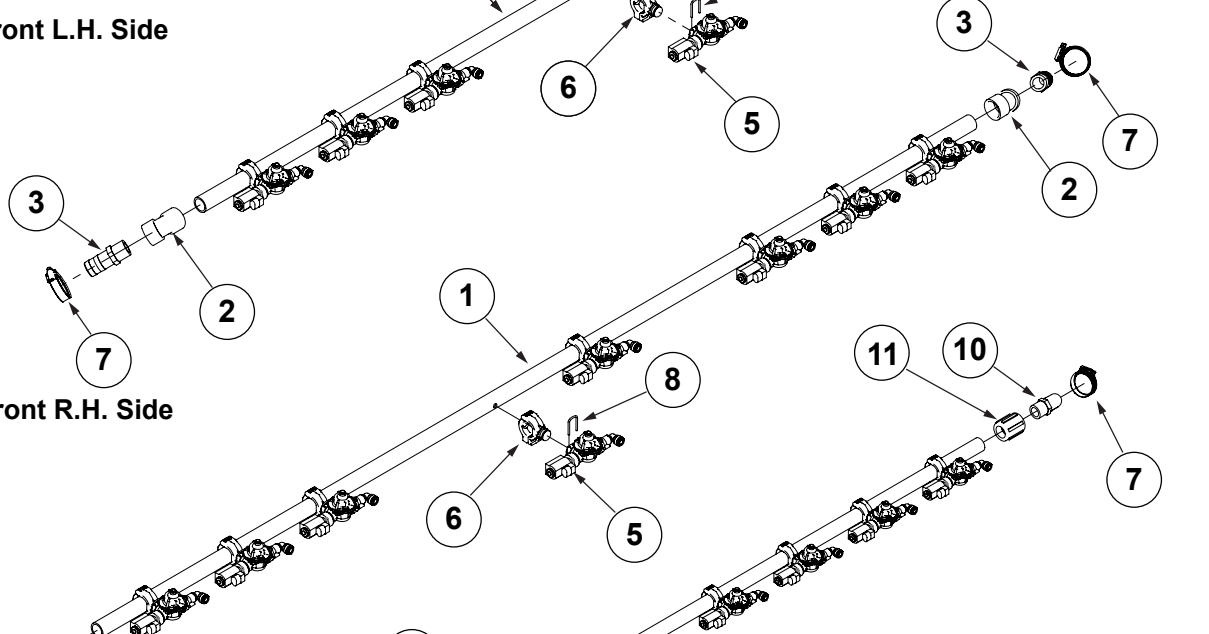
ITEM	PART NO.	QTY. (per Assy)	DESCRIPTION
1	G10865701	-	Manifold Tube, 12 Row Front
2	G10515101	-	1" NPT 45° Connection
3	G10624	-	1" Male NPT x 1-1/4" Hose Barb
4	GD22503	-	1" Pipe Cap
5	G10773801	-	Manifold Clamp
6	G10773301	-	Manifold Row Flow Basic Assembly
7	G10608701	-	Blank Nozzle Body
8	G10829101	-	Hose Clamp
9	G10833001	-	Wire Retention Clip
10	G10865601	-	Manifold Tube, 12 Row Rear
11	G11554	-	1" Pipe Coupling
12	G11460	-	90° Elbow, 1" NPT x 1 1/4" Hose Barb



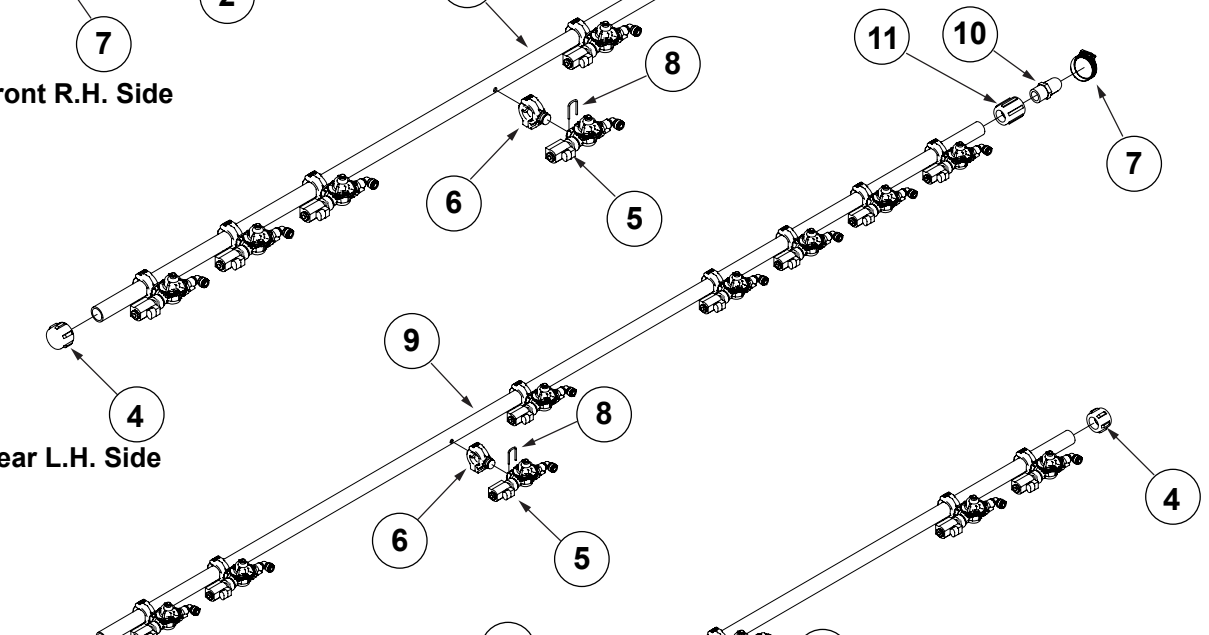
16 Row, Front L.H. Side



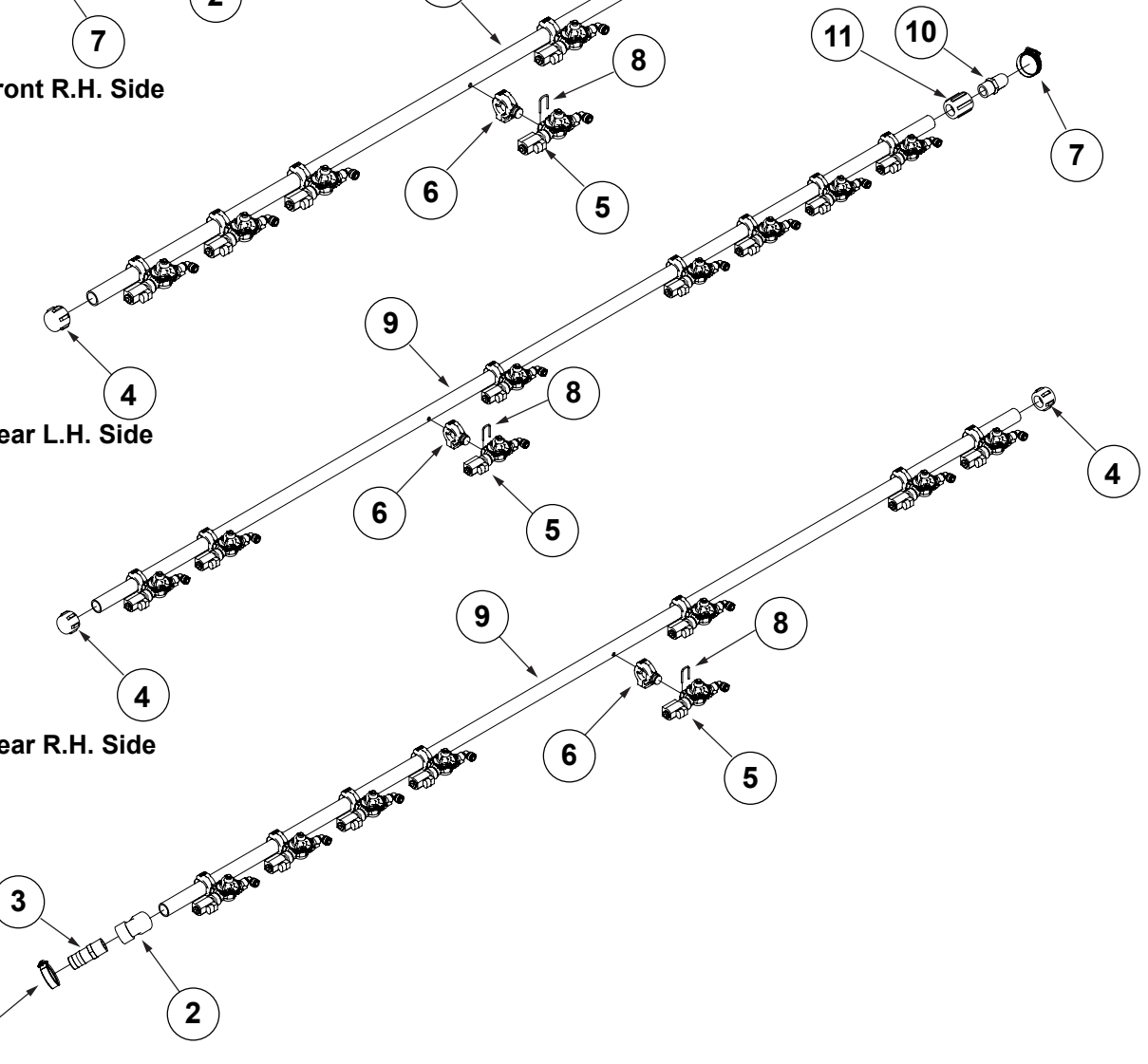
16 Row, Front R.H. Side



16 Row, Rear L.H. Side

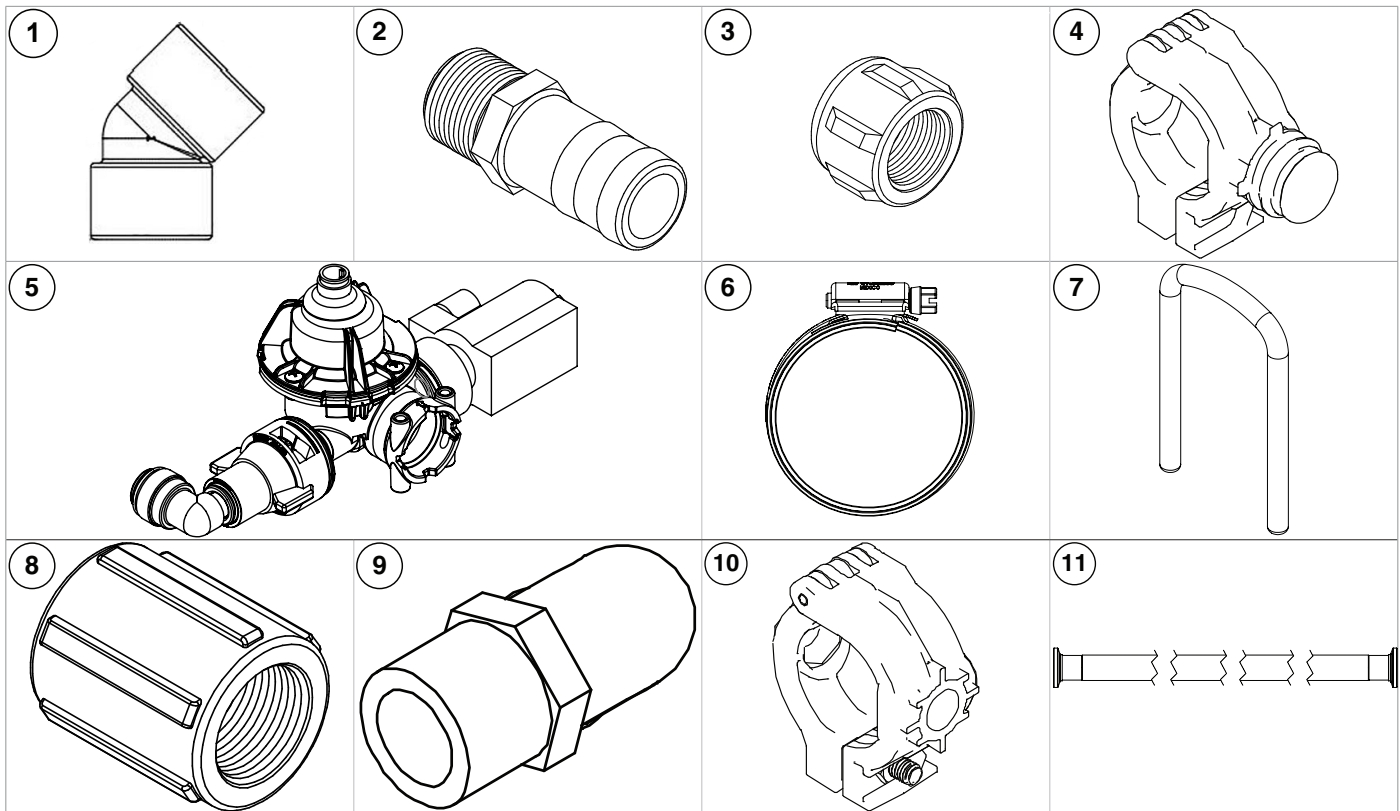


16 Row, Rear R.H. Side

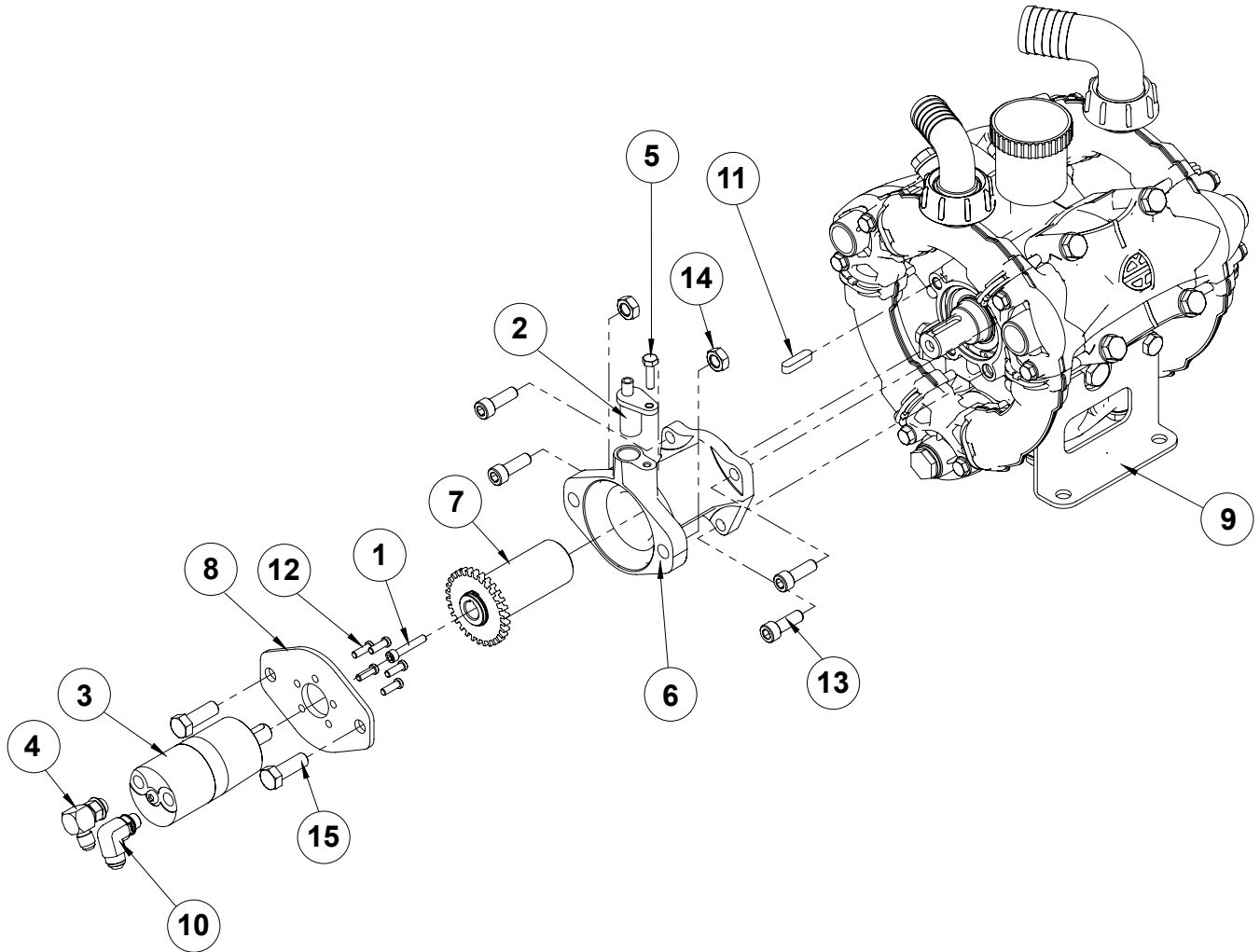


---

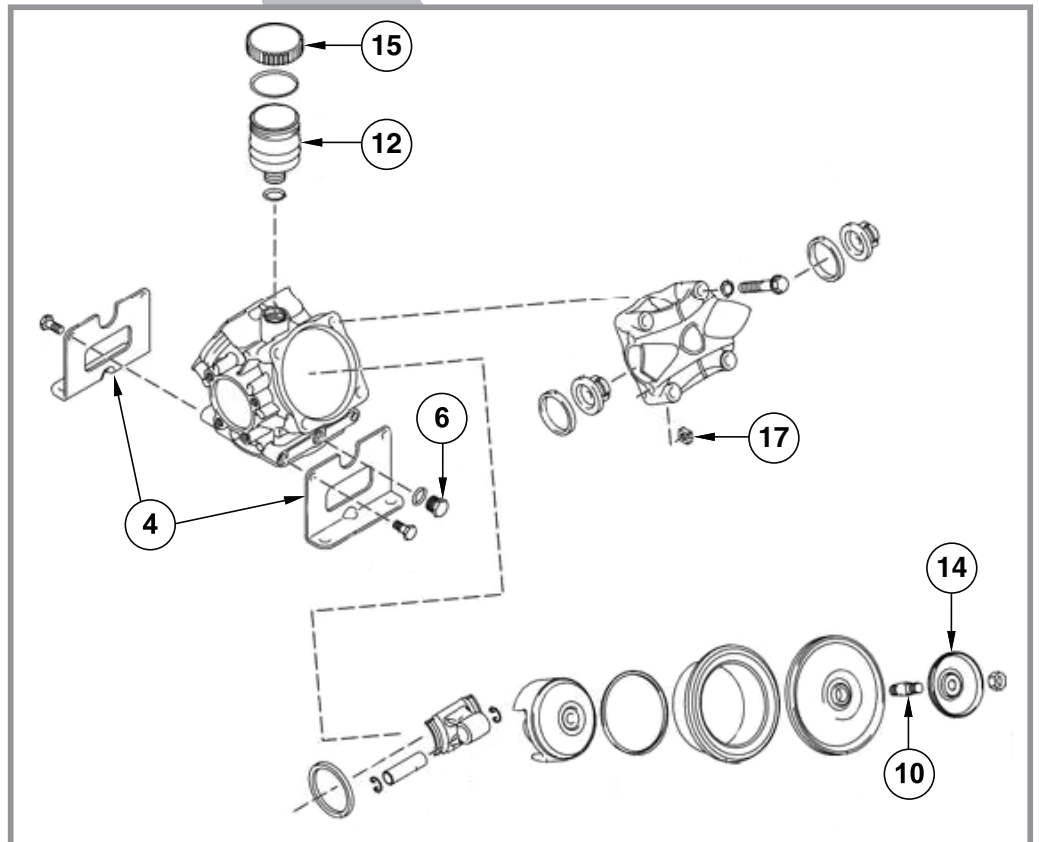
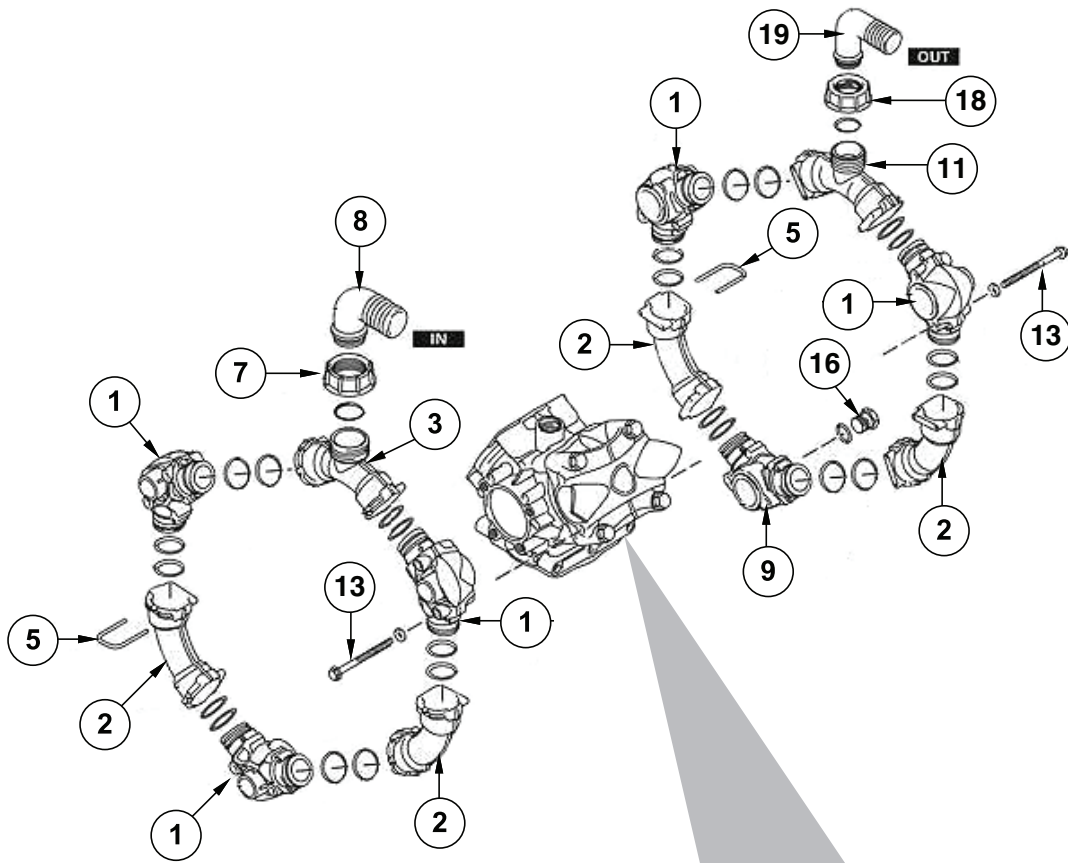
ITEM	PART NO.	QTY. (per Assy)	DESCRIPTION
1	G10865101	-	Manifold Tube, 16 Row Front
2	G10515101	-	1" NPT 45° Connection
3	G10624	-	1" Male NPT x 1-1/4" Hose Barb
4	GD22503	-	1" Pipe Cap
5	G10773301	-	Manifold Row Flow Basic Assembly
6	G10773801	-	Manifold Clamp
7	G10829101	-	Hose Clamp
8	G10833001	-	Wire Retention Clip
9	G10865001	-	Manifold Tube, 16 Row Rear
10	G11460	-	90° Elbow, 1" NPT x 1¼" Hose Barb
11	G11554	-	1" Pipe Coupling



ITEM	PART NO.	QTY.	DESCRIPTION
1	G10515101	-	1" NPT 45° Connection
2	G10624	-	1" Male NPT x 1-1/4" Hose Barb
3	GD22503	-	1" Pipe Cap
4	G10773801	-	Manifold Clamp
5	G10773301	-	Manifold Row Flow Assembly
6	G10829101	-	Hose Clamp
7	G10833001	-	Wire Retention Clip
8	G11554	-	1" Pipe Coupling
9	G11460	-	90° Elbow, 1" NPT x 1 1/4" Hose Barb
10	G10608701	-	Blank Nozzle Body
11	G10865701	-	Manifold Tube, 12 Row Front
	G10865601	-	Manifold Tube, 12 Row Rear
	G10865101	-	Manifold Tube, 16 Row Front
	G10865001	-	Manifold Tube, 16 Row Rear

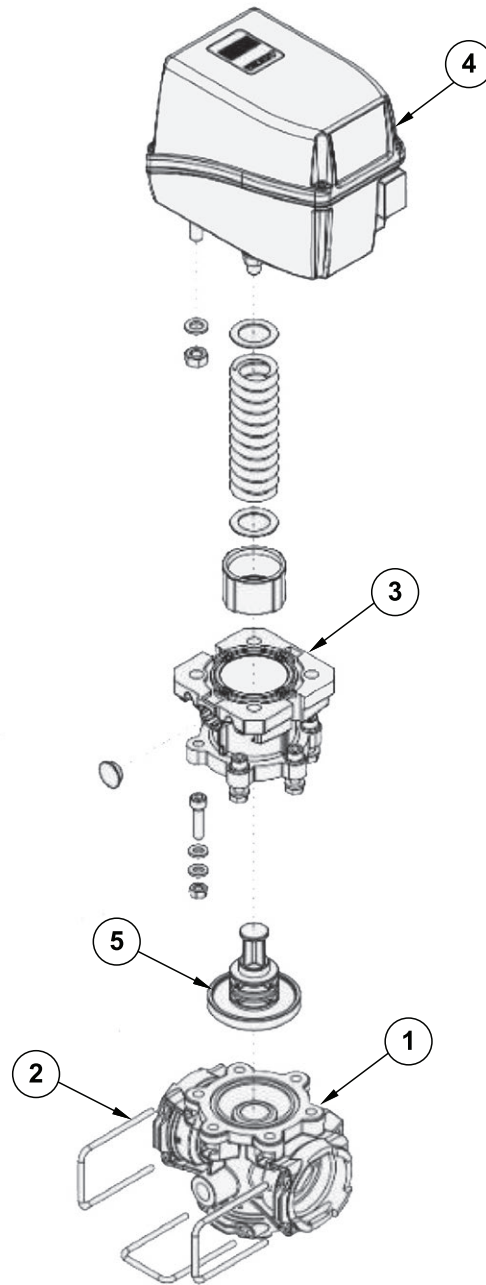


ITEM	PART NO.	QTY. (per Assy)	DESCRIPTION
1	G12222-35	1	Hex Socket Head Cap Screw, M6-1.0 x 35MM
2	G10846301	1	Gear Tooth Speed Sensor
3	G10556101	1	Eaton Hydraulic Motor
4	G6801-06	1	Elbow W/O-Ring, 90°, 9/16"-18 Male JIC To O-Ring
5	G10064	1	Hex Head Cap Screw, 1/4"-20 x 1"
6	G10611001	1	Hydraulic Motor Flange
7	G10556201	1	Coupler w/ Hall Effect Wheel
8	G10814401	1	Hydraulic Motor Mount
9	G10399301	1	Diaphragm Pump
10	G6801-08-06 GR1045	1 -	Elbow W/O-Ring, 90°, 3/4"-16 Male JIC To 9/16"-18 O-Ring O-Ring
11	G10514101	1	Oval Shaft Coupler Key
12	G10532101	5	Hex Socket Head Cap Screw, 1/4"-28 x 3/4"
13	G10922201	4	Hex Socket Head Cap Screw, M10-1. x 30MM
14	G10817601	2	Nylon Hex Lock Nut, M12-1.75
15	G12002-35	2	Hex Head Cap Screw, M12-1.75 x 35
A	G10434301	-	Pump Service Kit
B	G10764101	-	Pump LFP Valve Service Kit
C	G10764001	-	Pump LFP O-Ring Service Kit

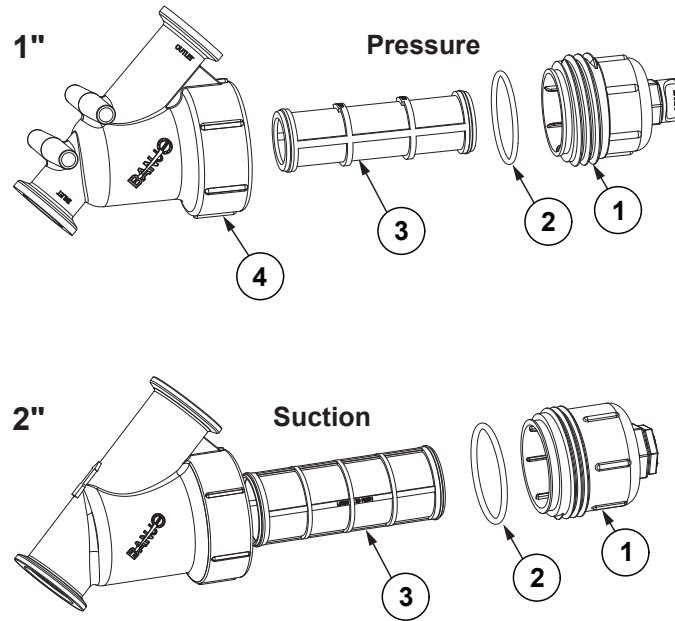


ITEM	PART NO.	QTY.	DESCRIPTION
1	G10976301	5	Manifold
2	G10976401	4	Manifold
3	G10976501	1	Manifold
4	G10975601	2	Foot Mount
5	G10976601	12	Fork Clip
6	G10975701	1	Oil Drain Plug
7	G10976701	1	Ring Nut
8	G10976801	1	Hose Barb, 1 1/2"
9	G10976901	1	Manifold
10	G10976101	3	Hub Pin
11	G10977001	1	Manifold
12	G10975801	1	Tank Sight Glass
13	G10977101	12	Manifold Mount Bolt
14	G10976201	3	Plate
15	G10975901	1	Sight Glass Cap
16	G10977201	1	Drain Plug, Fertilizer
17	G10976001	12	Square Nut, M8
18	G10977301	1	Ring Nut
19	G10977401	1	Hose Barb, 1 1/4"
A	G10399301	1	Diaphragm Pump Assembly
B	G10513001	1	AR Pump Winterizer, No. 64511
C	G10513101	2	AR Pump Oil, No. 6453D
D	G10434301	1	AR120 Pump Service Kit
E	G10764001	1	AR120 Pump LFP O-Ring Service Kit
F	G10764101	1	AR120 Pump LFP Valve Service Kit

(103988)



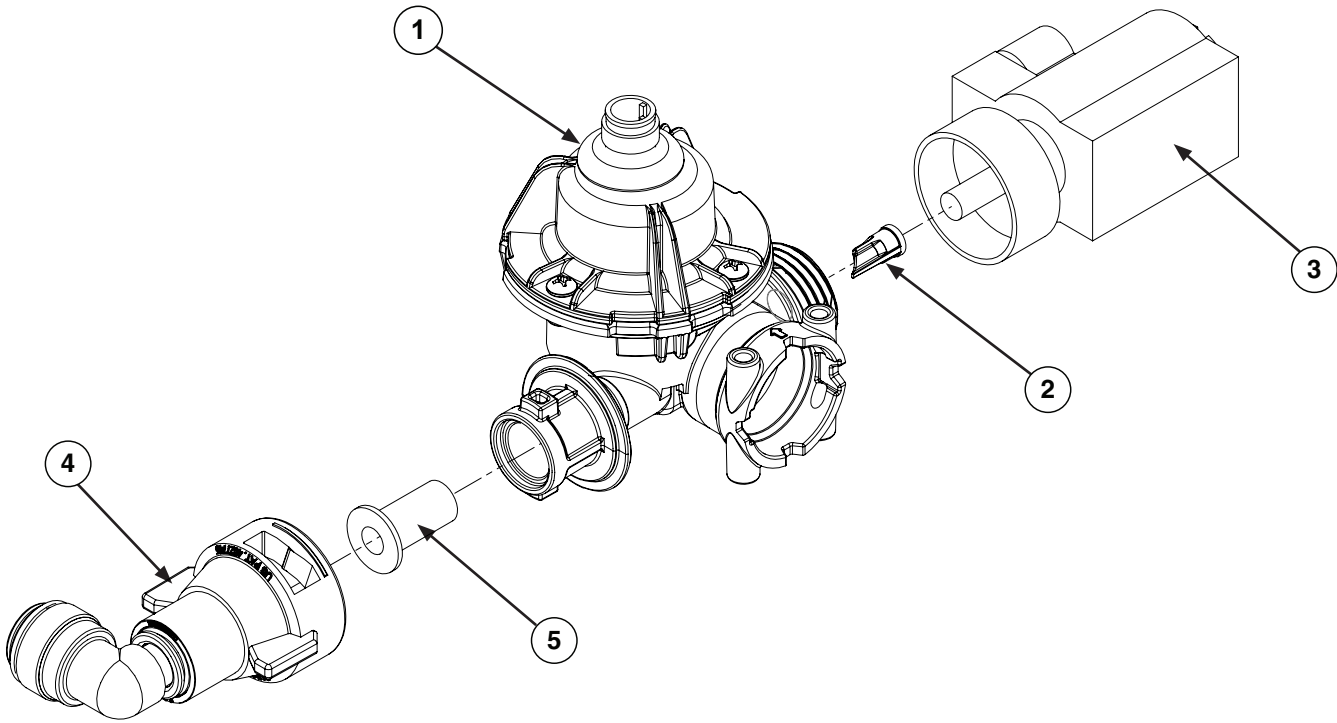
ITEM	PART NO.	QTY.	DESCRIPTION
1	G10974801	1	T5 Body Press Valve
2	G10975101	3	Fork
3	G10974901	1	Motor Support
4	G10975201	1	Motor
5	G10975001	1	Diaphragm and Pressure Valve
A	G10398801	-	T5 Pressure Regulator Assembly (Items 1-5)



ITEM	PART NO.	QTY.	DESCRIPTION
1	G10974501	1	Cap Assembly, 1"
	G10975401	1	Cap Assembly, 2"
2	G10975501	1	O-Ring, No. 228 (1" Manifold Strainer)
	G10974701	1	O-Ring, No. 339 (2" Manifold Strainer)
3	G10974401	1	80 Mesh Screen (1" Manifold Strainer)
	G10975301	1	30 Mesh Screen (2" Manifold Strainer)
4	G10974601	1	Manifold Body (1" Manifold Strainer Only)
A	G10398701	1	1" Manifold Y Strainer W/80 Mesh Screen (Items 1-4)
B	G10631901	1	2" Manifold Y Strainer W/30 Mesh Screen (Items 1-3)

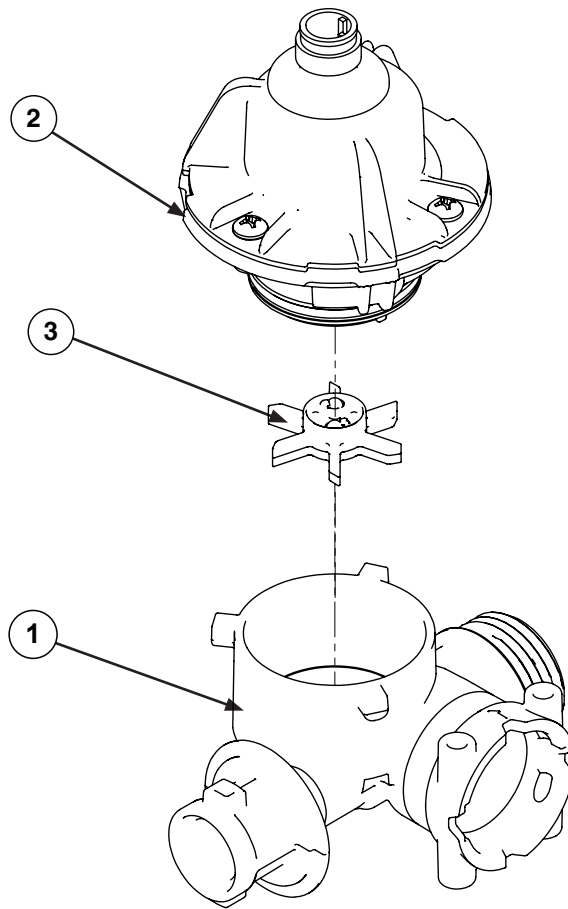


(107733)



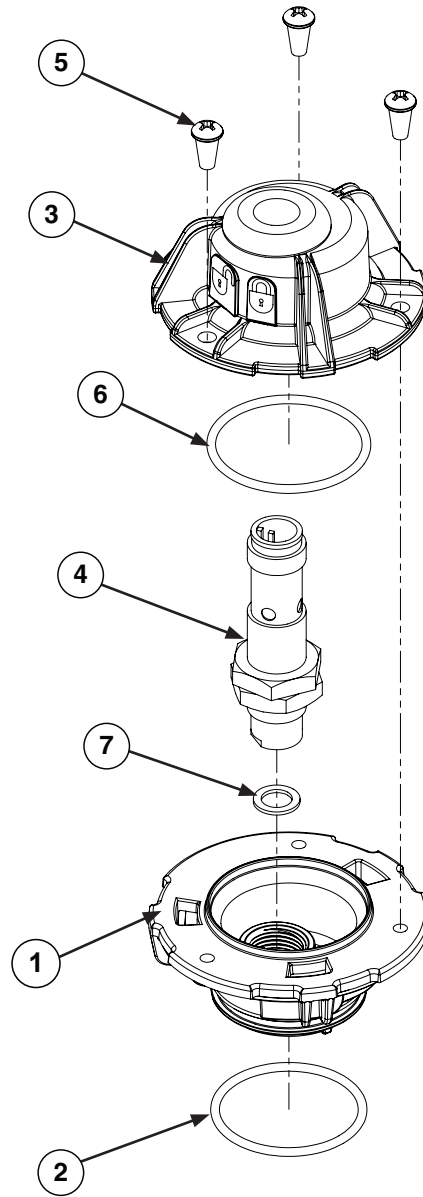
ITEM	PART NO.	QTY.	DESCRIPTION
1	G11007101	1	<a href="#">See "Fertilizer Flow Meter Assembly" on page P325</a>
2	G10773101	1	Flow Meter Orifice, 0.082"
3	GA20732	1	Fertilizer Shut Off
4	G10522501	1	Fertilizer Manifold Cap, 90°
5	G10943101	1	Strainer Nozzle, 100 Mesh

(110071)



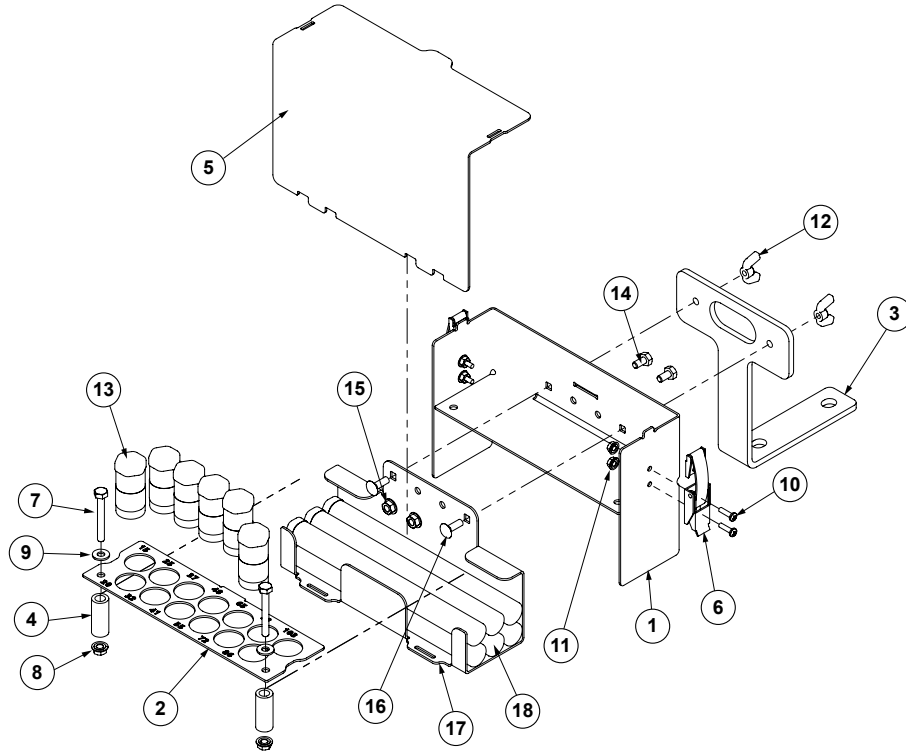
ITEM	PART NO.	QTY.	DESCRIPTION
1	G10772302	1	Manifold Fertilizer Flow Meter
2	G10772601	1	<a href="#">See "Fertilizer Flow Meter Cover" on page P326</a>
3	G10773001	1	Fertilizer Flow Meter Paddle Wheel Assembly

(107726)

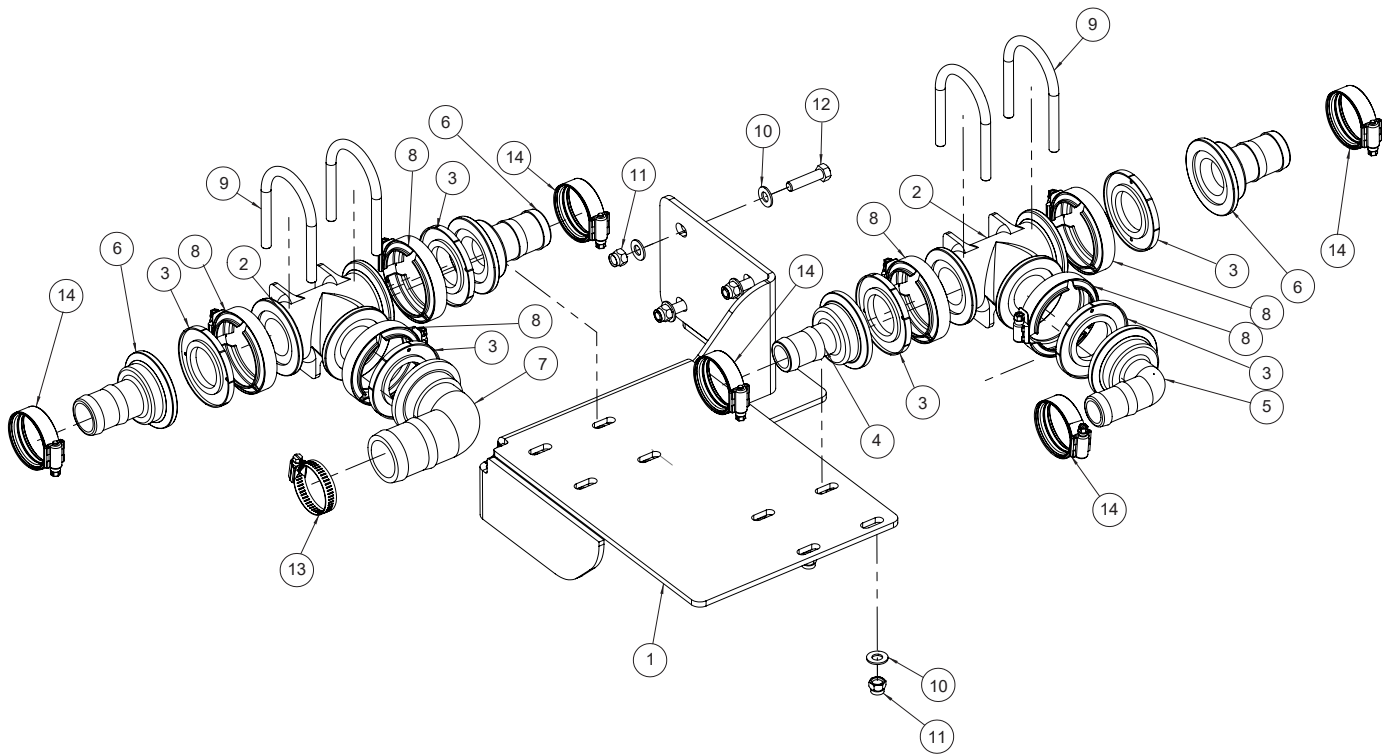


ITEM	PART NO.	QTY.	DESCRIPTION
1	G10832301	1	Fertilizer Flow Meter Cover
2	G10772501	1	O-Ring, No. 24
3	G10832401	1	Dust Cap Assembly
4	G10832701	1	Proximity Sensor
5	G10963001	3	Phillips Pan Head Tapping Screw, 6-19 x 5/16"
6	G10833101	1	O-Ring, No. 25
7	G10840901	1	Plastic Shim, 3/8" x 1/4" x .03"

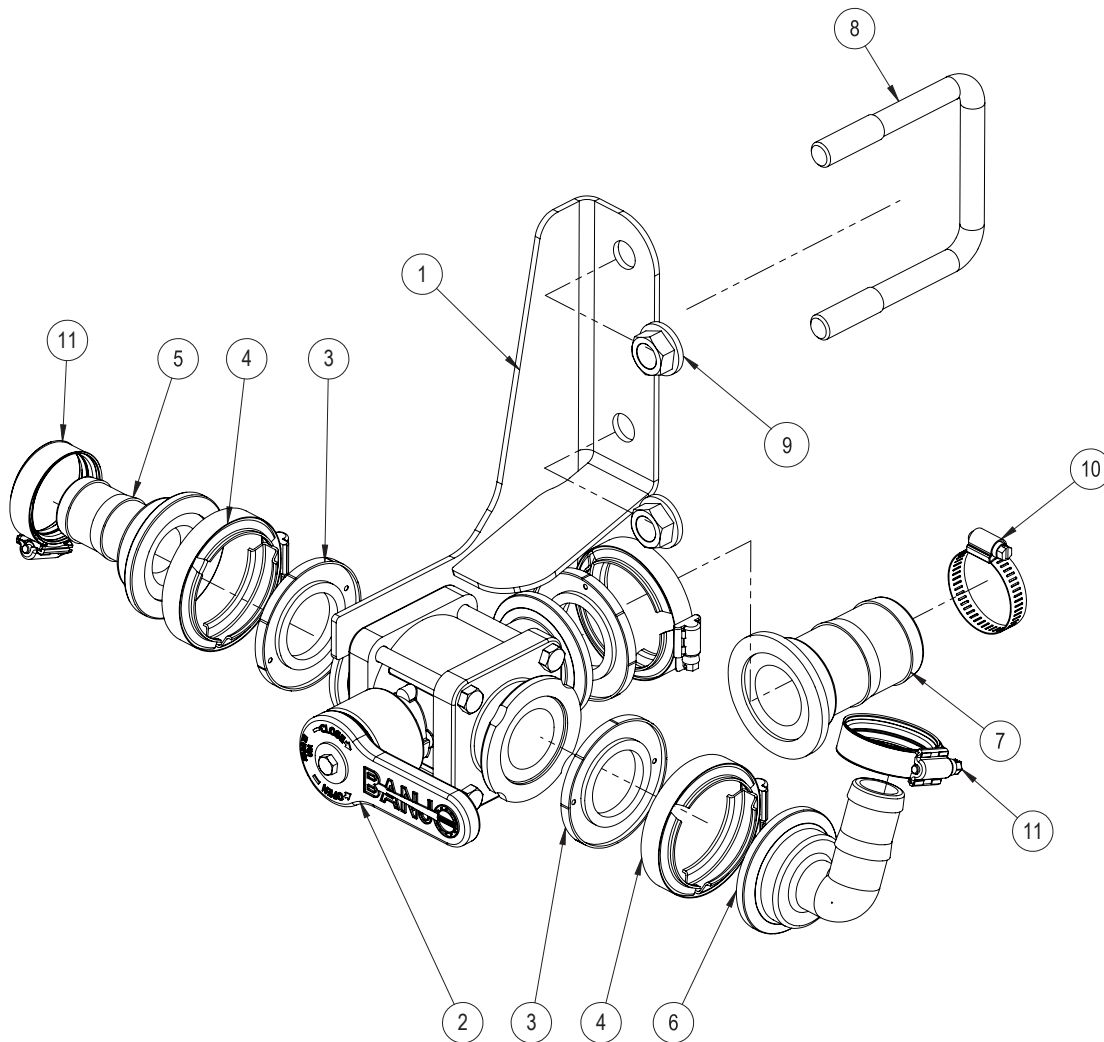
(109873)



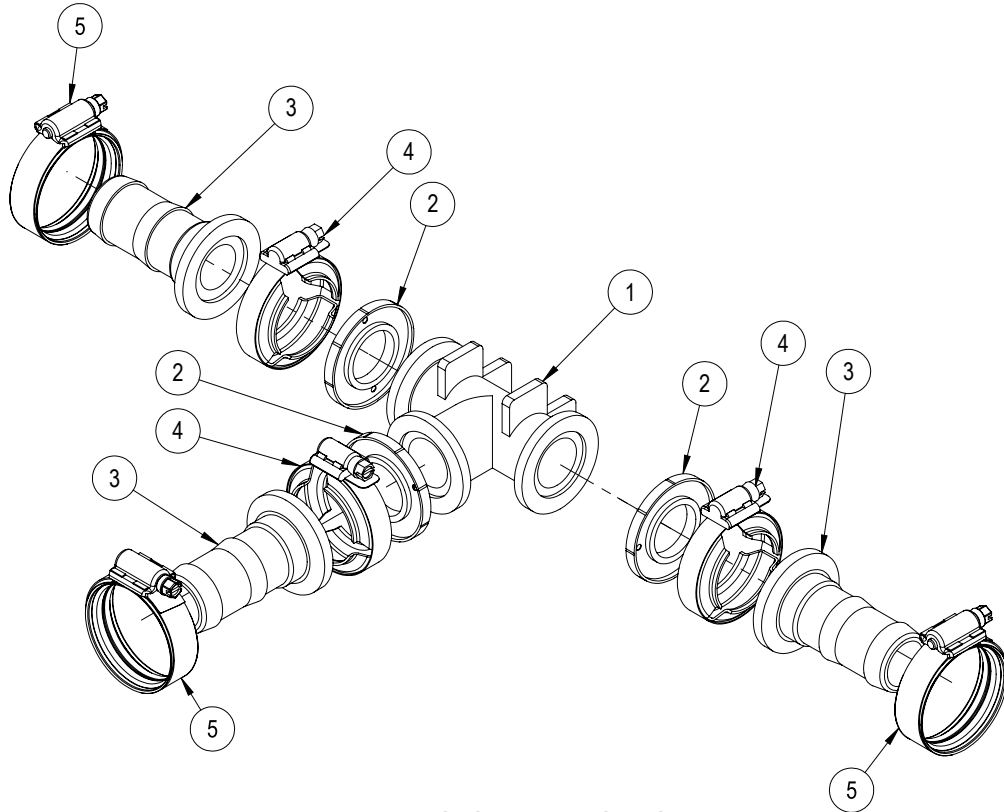
ITEM	PART NO.	QTY. (per Assy)	DESCRIPTION
1	G10986901	1	Orifice Storage Box Body
2	G10987001	1	Orifice Storage Holed Plate
3	G10986801	1	Orifice Storage Box Holder
4	GD23773	2	Spacer
5	G10986701	1	Orifice Storage Box Cover Plate
6	GA12641	2	Cover Latch
7	G10638	2	Bolt 1/4"-20X2
8	G10621	2	Serrated Flange Nut, 1/4"-20
9	G11385	2	Flat Washer, 1/4" SAE
10	G11065	4	Phillips Pan Head Machine Screw, No. 8-32 x 5/8", Stainless Steel
11	G11241	4	Serrated Flange Nut
12	G10531	2	Wing Nut W/Nylon Insert, 1/4"-20
13	G10820001	-	Orifice Twist Pack w/ Decal, 0.015
	G10820002	-	Orifice Twist Pack w/ Decal, 0.020
	G10820003	-	Orifice Twist Pack w/ Decal, 0.025
	G10820004	-	Orifice Twist Pack w/ Decal, 0.028
	G10820005	-	Orifice Twist Pack w/ Decal, 0.032
	G10820006	-	Orifice Twist Pack w/ Decal, 0.037
	G10820007	-	Orifice Twist Pack w/ Decal, 0.041
	G10820008	-	Orifice Twist Pack w/ Decal, 0.048
	G10820009	-	Orifice Twist Pack w/ Decal, 0.055
	G10820010	-	Orifice Twist Pack w/ Decal, 0.065
	G10820011	-	Orifice Twist Pack w/ Decal, 0.072
	G10820012	-	Orifice Twist Pack w/ Decal, 0.078
	G10820013	-	Orifice Twist Pack w/ Decal, 0.086
14	G10022	2	Hex Head Cap Screw, 1/4"-20 x 1/2"
15	G10621	4	Serrated Flange Nut, 1/4"-20
16	G10310	2	Carriage Bolt, 1/4"-20 x 3/4", Grade 2
17	G10987201	1	Plate For Filter Storage
18	G10991001	6	Twist Pack, 16mm
19	GD27290	-	Strainer Nozzle, 50 Mesh



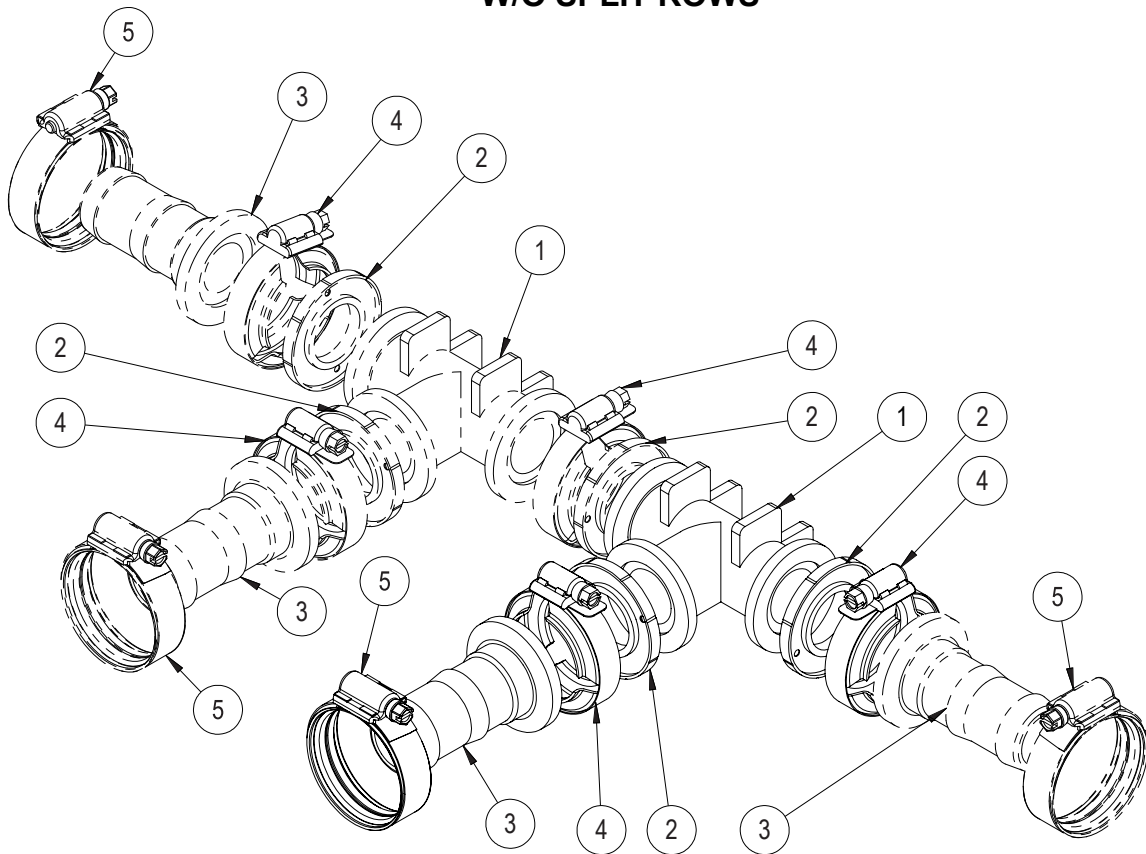
ITEM	PART NO.	QTY. (per Assy)	DESCRIPTION
1	G10643001	1	Tee Mount
2	G11508	2	Tee, 2" Port Flange
3	G10406701	6	Gasket, 2" Skirted Flange
4	G11494	1	Adapter, 2" Flange x 1 1/4" Hose Barb
5	G10473901	1	Adapter, 90°, 2" Flange x 1 1/4" Hose Barb
6	G10464101	3	Adapter, 2" Flange x 1-1/2" Hose Barb
7	G11457	1	Elbow, 2" Flange x 2" Hose Barb, 90°
8	G11468	6	Flange Clamp SS 75 Series
9	G10610201	4	U-Bolt, 2-1/2" x 3-13/16", 3/8"-16
10	G10203	16	Washer, 3/8" SAE
11	G10901	12	Lock Nut W/Nylon Insert, 3/8"-16
12	G10003	4	Hex Head Cap Screw, 3/8"-16 x 1 1/2"
13	G10676	1	Hose Clamp, No. 36, Stainless Steel
14	G10829101	5	Hose Clamp, 1-5/8" - 2-1/8"



ITEM	PART NO.	QTY. (per Assy)	DESCRIPTION
1	G10640401	1	Valve Mount
2	G10612801	1	2" Flanged 3-Way Ball Valve Assy
3	G10406701	3	Gasket 2" Skirted Flanged
4	G11468	3	Flange Clamp SS 75 Series
5	G10464101	1	Adapter, 2" Flange x 1-1/2" Hose Barb
6	G10473901	1	Adapter, 2" Flange x 1-1/4" Hose Barb
7	G11497	1	Adapter, 2" Flange x 2" 90° Barb
8	GD32368	1	U-Bolt, 3" x 4" x 5/8"-11
9	G11415	2	Serrated Flange Nut, 5/8"-11
10	G10676	1	Hose Clamp, No. 36, Stainless Steel
11	G10829101	2	Hose Clamp, 1-5/8" - 2-1/8"



**W/O SPLIT ROWS**



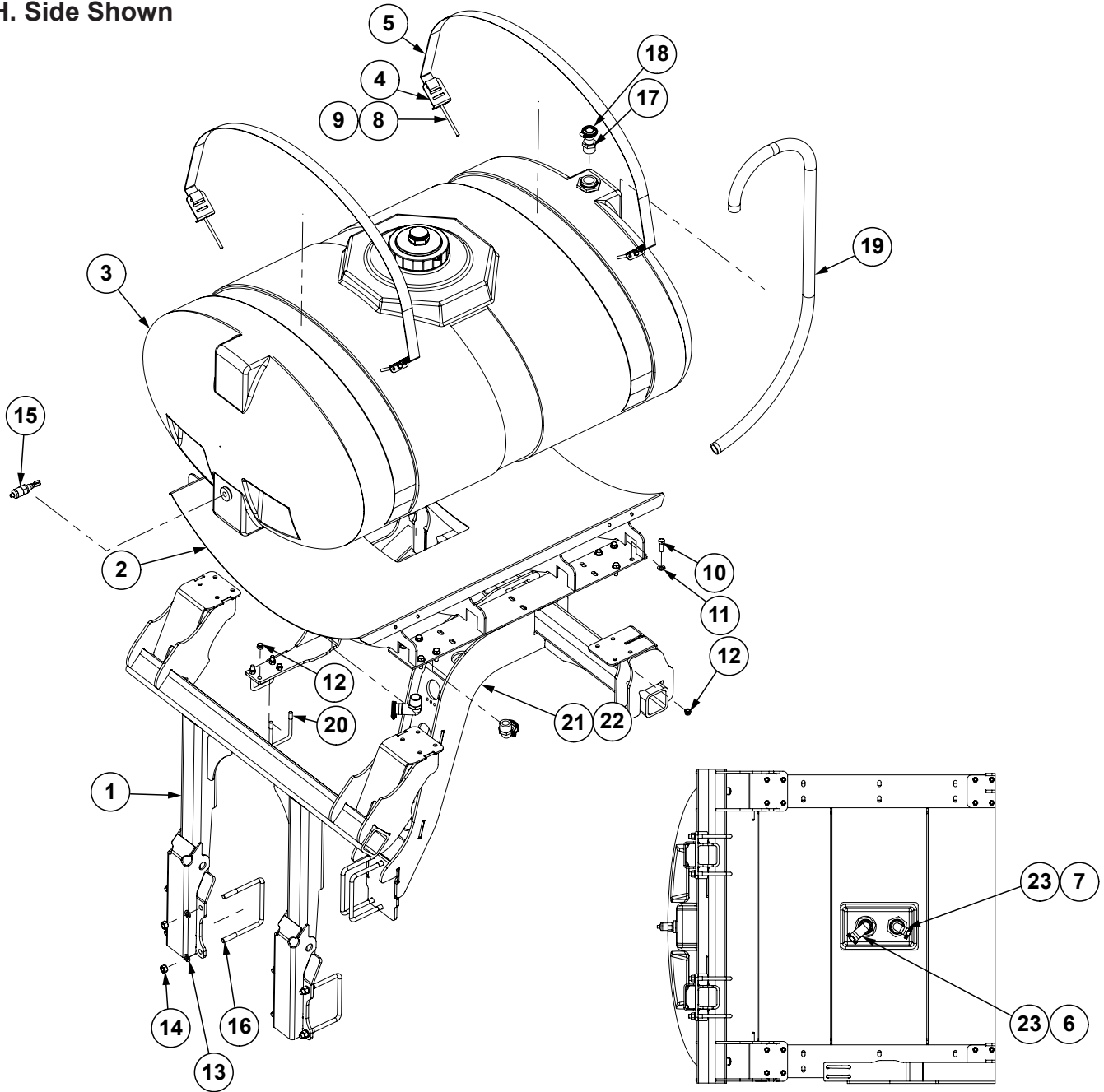
**WITH SPLIT ROWS**

---

ITEM	PART NO.	QTY. (per Assy)	DESCRIPTION
1	G11583	-	1" Flanged Manifold Tee
2	G10406801	-	Gasket, 1" Skirted Flange
3	G11458	-	Adapter 1" Flange x 1¼" Hose Barb
4	G11467	-	Flange Clamp SS 50 Series
5	G10829101	-	Hose Clamp, No. 24

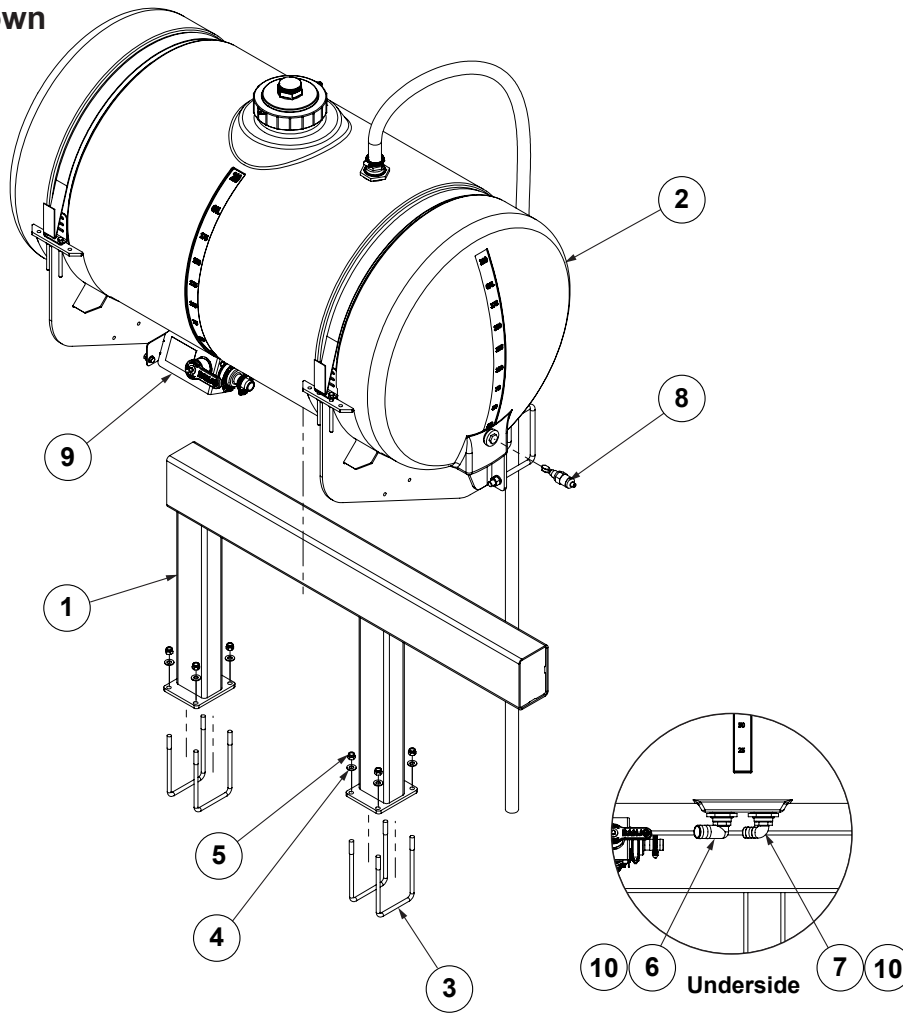


L.H. Side Shown



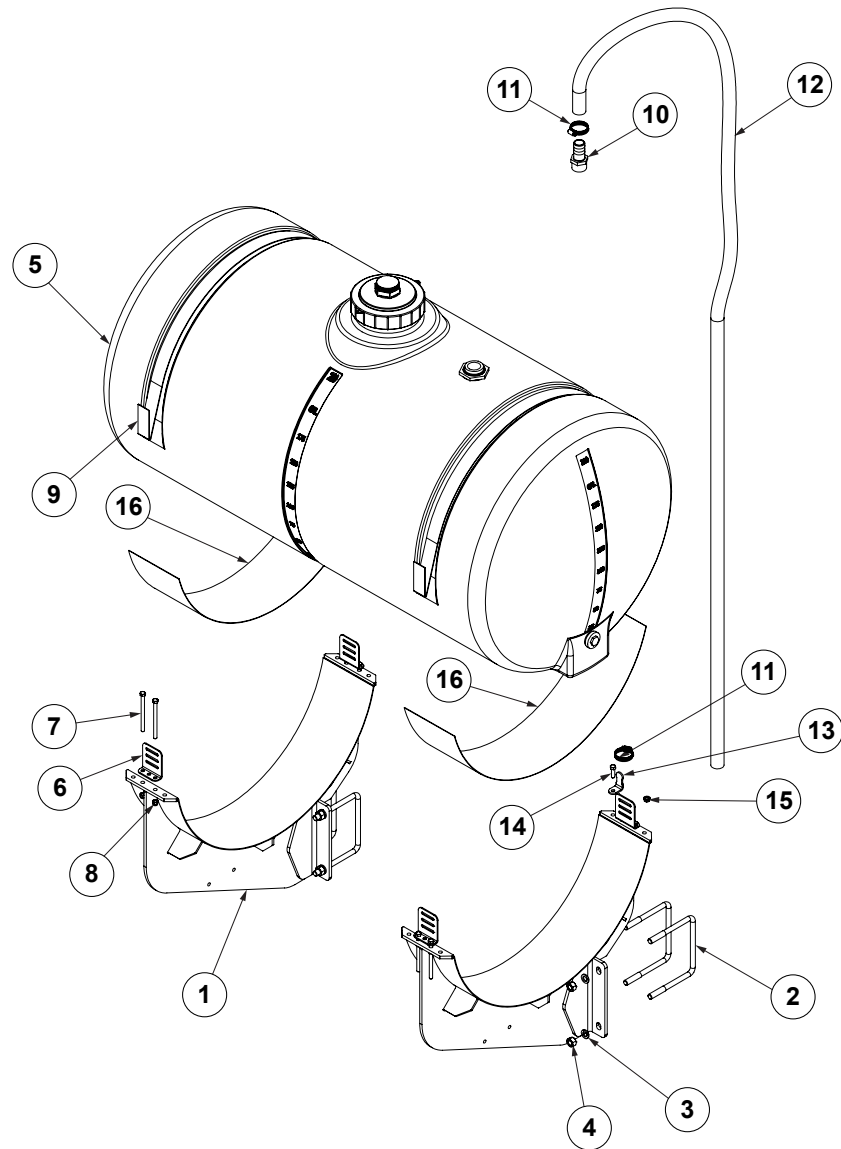
ITEM	PART NO.	QTY. (per Assy)	DESCRIPTION
1	G10642901	1	Front Tank Mount
2	GA13632	1	Tank Saddle
3	G10685001	1	300 Gal. Elliptical Tank w/ Fittings
4	GD11123	4	Anchor
5	GD15605-300	2	Strap, 1-3/4" width
6	G10444801	1	Elbow, 90°, 1 1/4" x 1-1/2" Hose Barb
7	G10629	1	Elbow, 90°, 1 1/4" NPT To Barb
8	G10485	4	Hex Head Cap Screw, 3/8"-16 x 5"
9	G10901	4	Lock Nut W/Nylon Insert, 3/8"-16
10	G10017	18	Hex Head Cap Screw, 1/2"-13 x 1 1/2"
11	G11389	16	Flat Washer, 1/2" Plated SAE
12	G10111	20	Lock Nut, 1/2"-13
13	G10230	12	Lock Washer, 5/8"
14	G10104	12	Hex Nut, 5/8"-11
15	GA18720	1	Liquid Level Sensor
16	GD1113	6	U-Bolt, 4" x 7" x 1/2"-13
17	G10626	1	Adapter, 1 1/4" NPT To Barb
18	G10674	1	Hose Clamp, No. 24
19	G4602-03	1	Black Helix Hose, 1 1/4" x 100'
20	GD4743	2	U-Bolt, 3" x 3" x 1/2"-13
21	G4431-01	2	Edge Molding, 3/8" x 19"
22	G10641801	1	L.H. Tank Mount
	G10641901	1	R.H. Tank Mount
23	G10829101	2	Hose Clamp, 1-5/8" - 2-1/8"

R.H. Side Shown

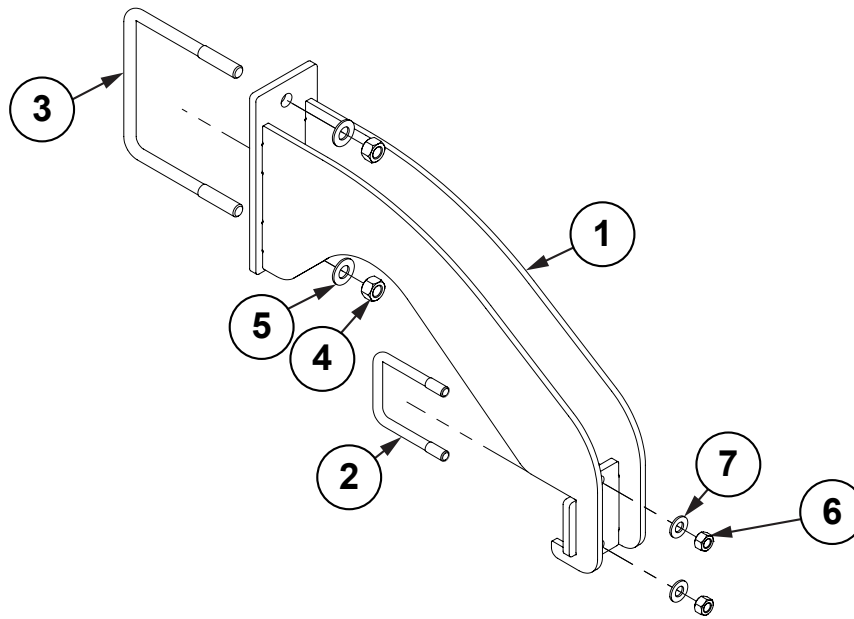


ITEM	PART NO.	QTY. (per Assy)	DESCRIPTION
1	G10707401	1	200 Gal. Liquid Tank Mount
2	G10708101	1	<a href="#">See "Liquid Fertilizer 200 Gal. Tank Pre-Assembly (Blue Drive)" on page P335</a>
3	GD8306	4	U-Bolt, 7" x 5" x 1/2"-13
4	G11389	8	Flat Washer, 1/2" Plated SAE
5	G10111	8	Lock Nut, 1/2"-13
6	G10444801	1	Elbow, 90°, 1 1/4" x 1-1/2" Hose Barb
7	G10629	1	Elbow, 90°, 1 1/4" NPT To Barb
8	GA18720	1	Liquid Level Sensor
9	G10666701	1	<a href="#">See "3-Way Valve Unit Assembly (Blue Drive Liquid Fertilizer)" on page P329</a>
10	G10829101	2	Hose Clamp, 1-5/8" - 2-1/8"

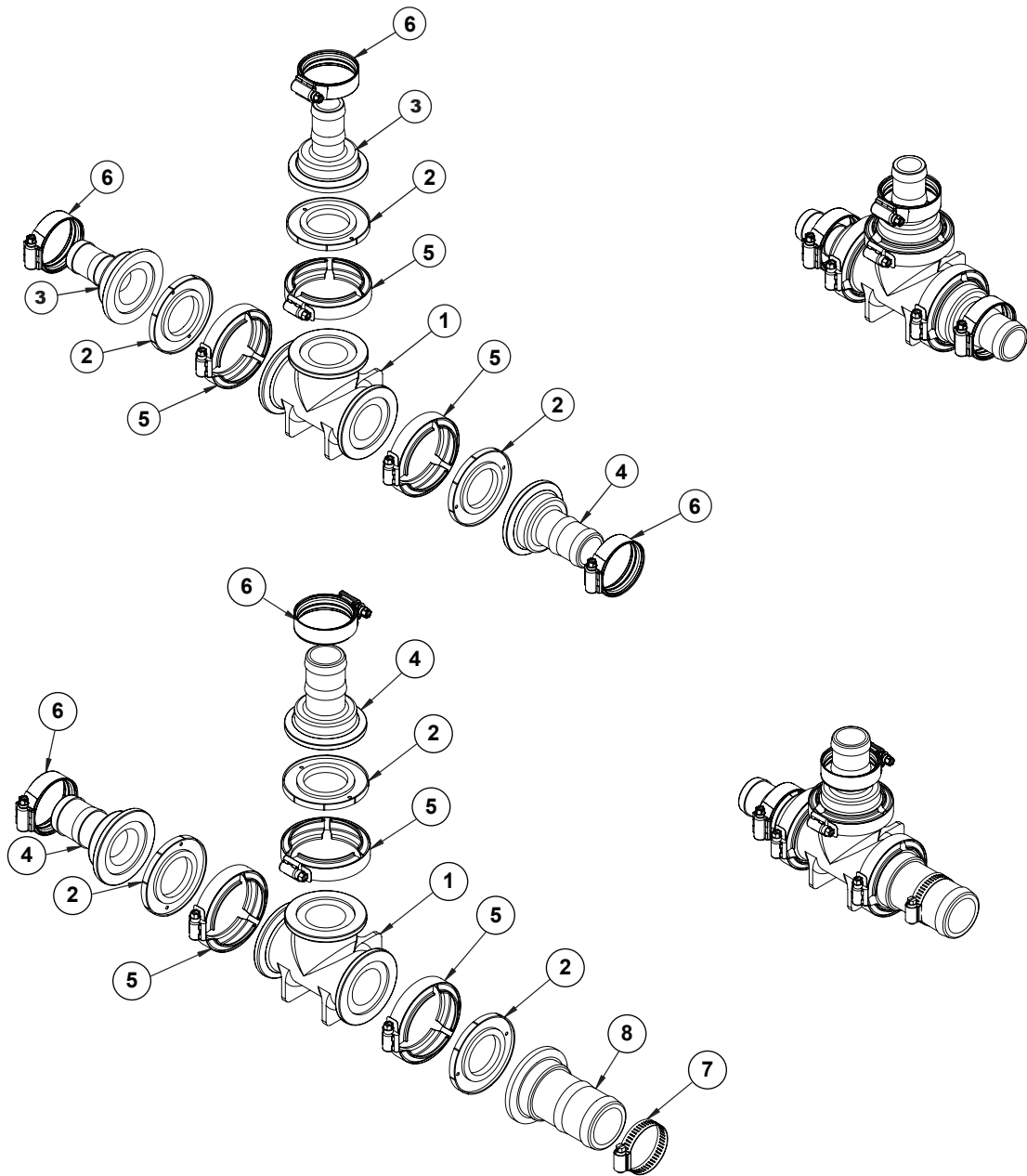
## Blue Drive Only



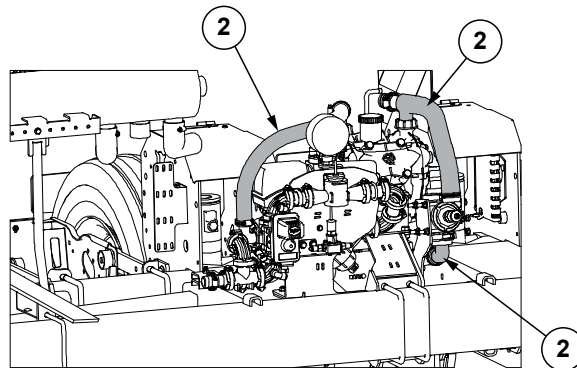
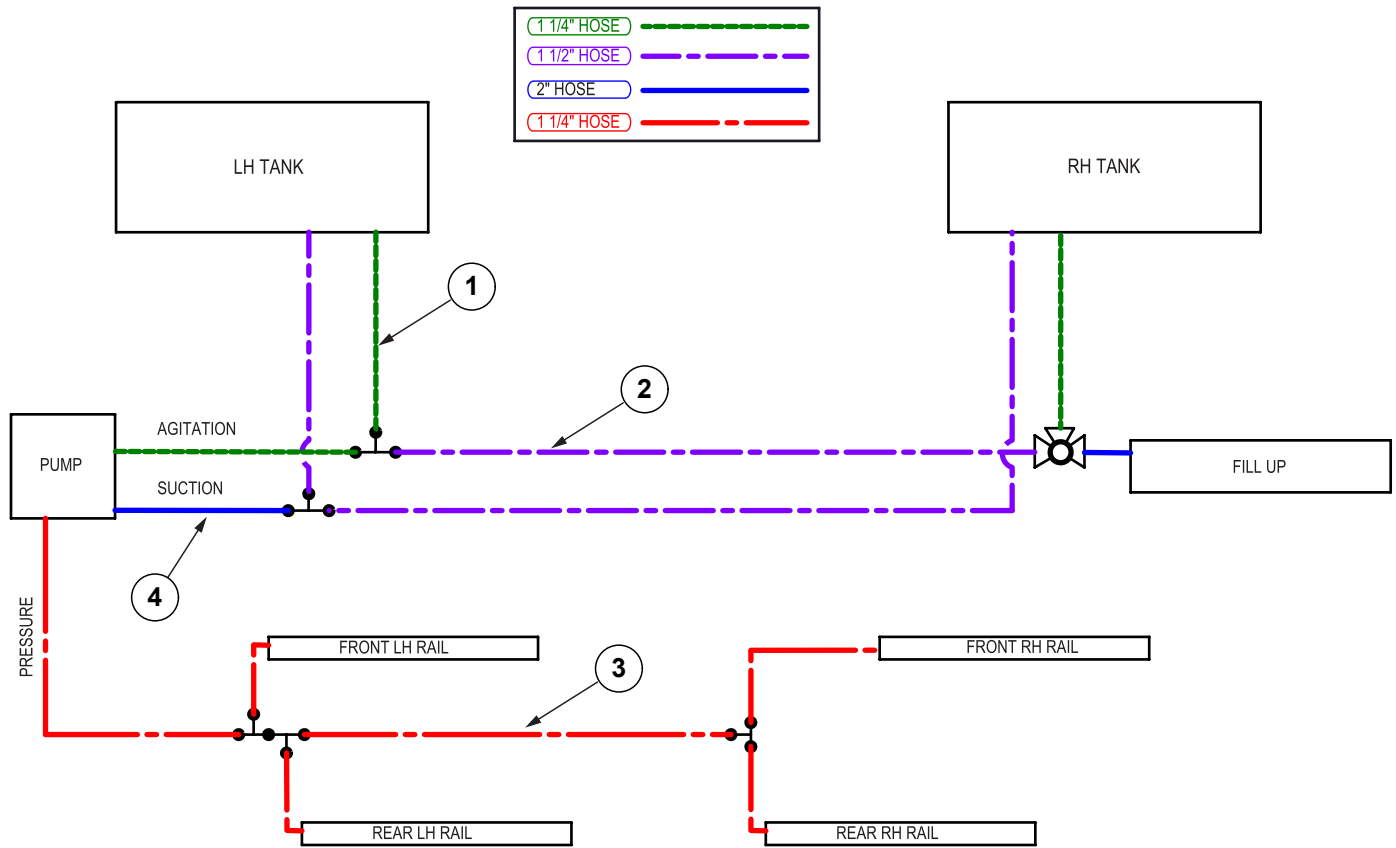
ITEM	PART NO.	QTY. (per Assy)	DESCRIPTION
1	G10630101	2	200 Gal. Tank Mount
2	GD1113	4	U-Bolt, 5" x 7" x 5/8"-11
3	GD10230	8	Split Locking Nut, 2"-12, Grade 2
4	G10104	8	Hex Nut, 5/8"-11
5	G10685101	1	200 Gal. Oval Tank w/ Fittings (MY23 and beyond w/ Blue Drive)
6	GD11123	4	Anchor
7	G10485	8	Hex Head Cap Screw, 3/8"-16 x 5"
8	G10901	8	Lock Nut W/Nylon Insert, 3/8"-16
9	GD11124	2	Strap, 84"
10	G10626	1	Adapter, 1 1/4" NPT To Barb
11	G10674	2	Hose Clamp, No. 24
12	G4602-03	1	Black Helix Hose, 1 1/4" x 100'
13	GD20060	1	Hose Bracket
14	G10004	1	Hex Head Cap Screw, 3/8"-16 x 1 1/4"
15	G11091	1	Serrated Flange Nut, 3/8"-16
16	GD1862	1	Tank Pad, 8" x 14' Roll



ITEM	PART NO.	QTY. (per Assy)	DESCRIPTION
1	G10630101	2	200 Gal. Tank Mount
2	GD1113	4	U-Bolt, 5" x 7" x 5/8"-11
3	GD10230	8	Split Locking Nut, 2"-12, Grade 2
4	G10104	8	Hex Nut, 5/8"-11
5	G10685101	1	200 Gal. Oval Tank w/ Fittings (MY23 and beyond w/ Blue Drive)
6	GD11123	4	Anchor
7	G10485	8	Hex Head Cap Screw, 3/8"-16 x 5"



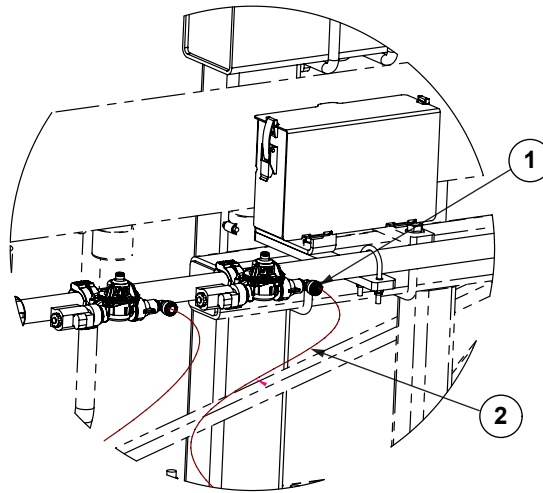
ITEM	PART NO.	QTY. (per Assy)	DESCRIPTION
1	G11508	-	Tee, 2" Port Flange
2	G10406701	-	Gasket, 2" Skirted Flange
3	G11494	-	Adapter, 2" Flange x 1 1/4" Hose Barb
4	G10464101	-	Adapter, 2" Flange x 1 1/2" Hose Barb
5	G11468	-	Flange Clamp SS 75 Series
6	G10829101	-	Hose Clamp, 1-5/8" - 2-1/8"
7	G10676	-	Hose Clamp, No. 36, Stainless Steel
8	G11497	-	Adapter, 2" Flange x 2" Hose Barb



ITEM	PART NO.	QTY. (per Assy)	DESCRIPTION
1	G10616801	-	HOSE EPDM/POLYETHYLENE HELIX 1.8 OD X 1-1/4 ID X 1200 IN
2	G10616701	-	HOSE EPDM/POLYETHYLENE HELIX 2.1 OD X 1-1/2 ID X 1200 IN
3	G10616501	-	HOSE EPDM/WIRE HELIX 1.61 OD X 1-1/4 ID X 1200 IN
4	G10616601	-	HOSE EPDM/POLYETHYLENE HELIX 2.6 OD X 2 ID X 1200 IN

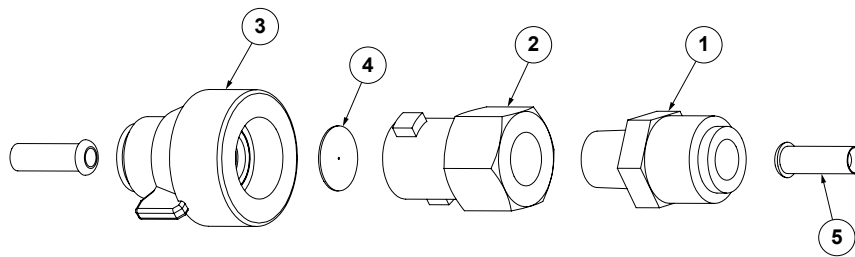
\*Fertilizer hoses sold in bulk only.

**Delivery Tubes**



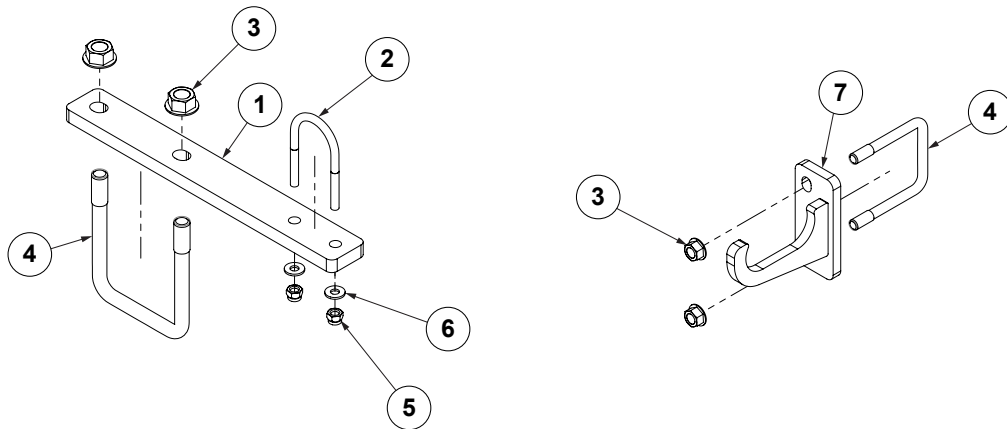
ITEM	PART NO.	QTY. (per Assy)	DESCRIPTION
1	GD29709	2	Support Tube
2	G10609019	1	TUBE URETHANE 3/8 OD X .065W BLK X 1600 (12 Row)
	G10609020	1	TUBE URETHANE 3/8 OD X .065W BLK X 2100 (16 Row)

**Orifice In-Line Housing**

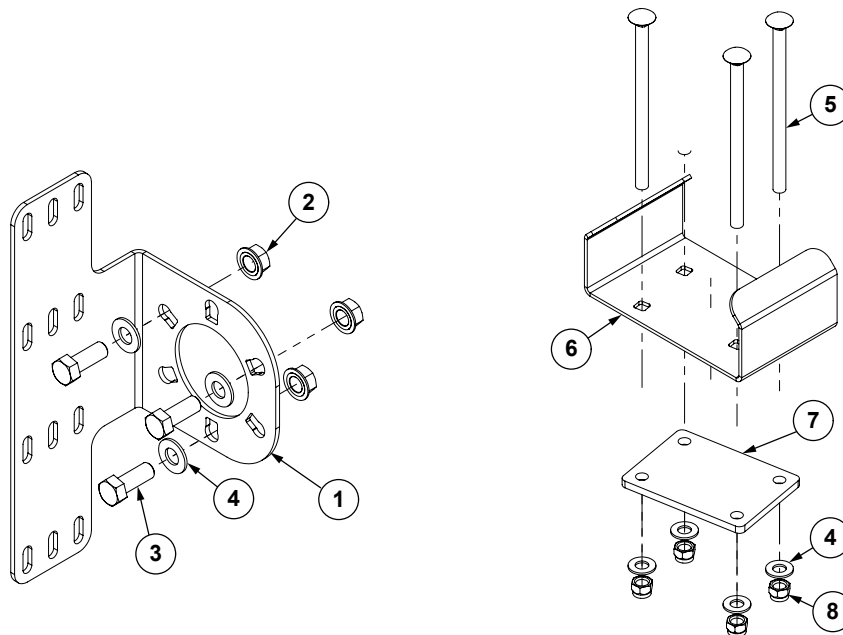


ITEM	PART NO.	QTY. (per Assy)	DESCRIPTION
1	GD29625	1	Connector, 1/4" NPT x 3/8"
2	G10771701	1	Orifice Adapter Cushion
3	GD21158	1	Cap
4	G10771801	1	Orifice (.020)
5	GD29709	2	Support Tube

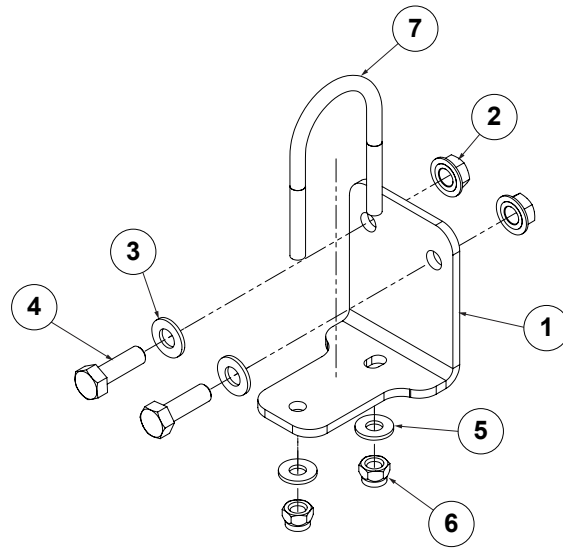




ITEM	PART NO.	QTY.	DESCRIPTION
1	G10691801	1	RU Rail Bracket
2	GD26274	1	U-Bolt, 1-1/2" x 1/4"-20
3	G10071	2	Serrated Flange Nut, 1/2"-13
4	GD4743	1	U-Bolt, 3" x 3" x 1/2"-13
5	G11320	2	Lock Nut, 1/4"-20, Grade B
6	G11385	2	Flat Washer, 1/4" SAE
7	G106855501	1	Bulk Fill Fertilizer Hose Holder

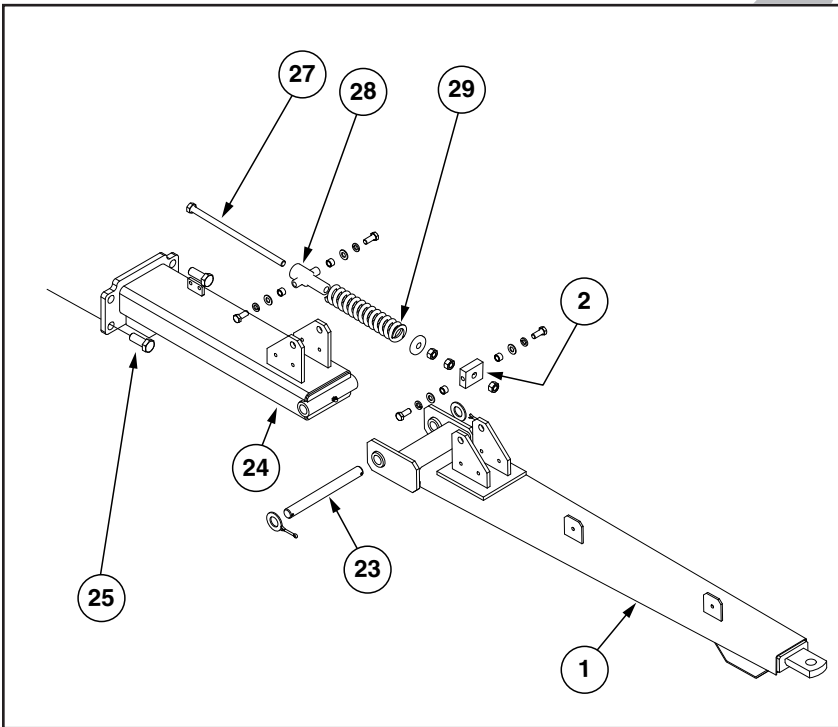
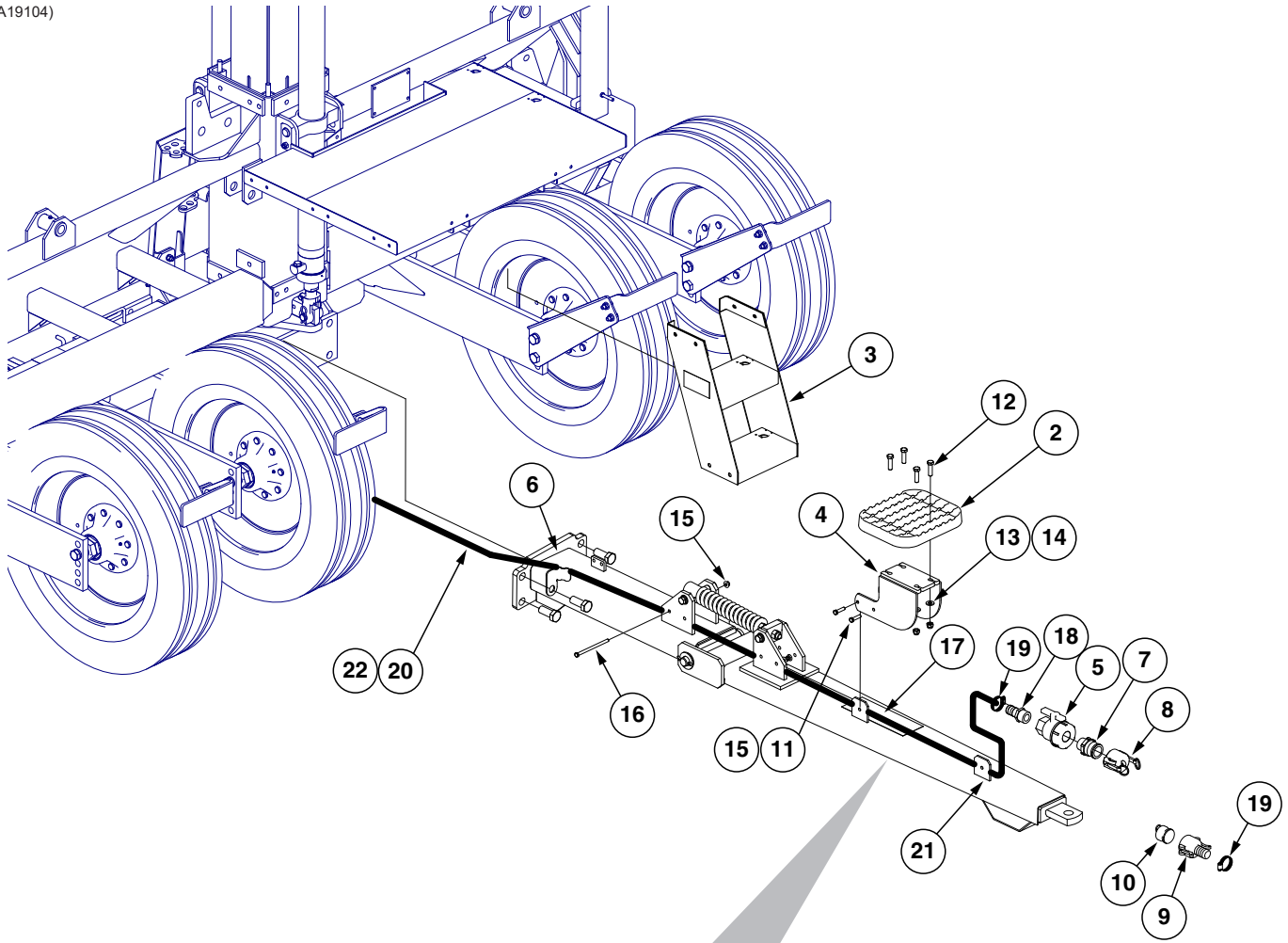


ITEM	PART NO.	QTY.	DESCRIPTION
1	G10740501	1	Wheel Tower Harness Holder
2	G11091	3	Serrated Flange Nut, 3/8"-16
3	G10001	3	Hex Head Cap Screw, 3/8"-16 x 1"
4	G11387	3-4	Hardened Washer, 3/8" SAE
5	G11970	4	Carriage Bolt, 3/8"-16 x 6"
6	G10740201	1	Fertilizer Hose Support Bracket
7	G10740301	1	Bracket Plate
8	G10108	4	Lock Nut, 3/8"-16

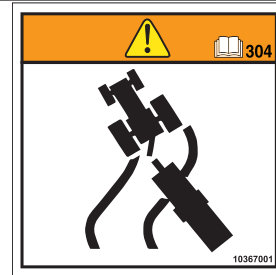
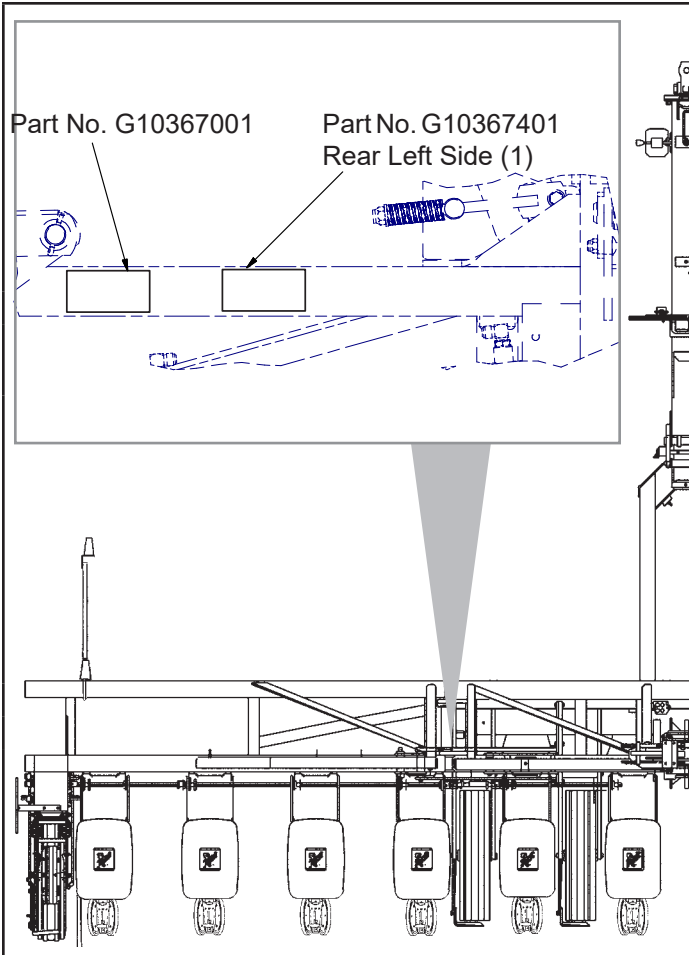


ITEM	PART NO.	QTY.	DESCRIPTION
1	G10926001	1	Fertilizer Rail Holder, Front
2	G10620	2	Serrated Flange Nut, 5/16"-18
3	G11386	2	Flat Washer, 5/16" SAE
4	G10019	2	Hex Head Cap Screw, 5/16"-18 x 1"
5	G11385	2	Flat Washer, 1/4" SAE
6	G11320	2	Lock Nut, 1/4"-20, Grade B
7	GD26274	1	U-Bolt, 1-1/2" x 1/4"-20

(A19104)



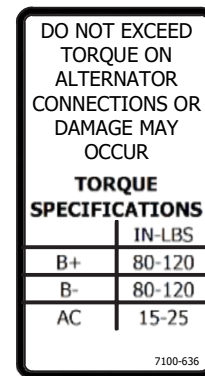
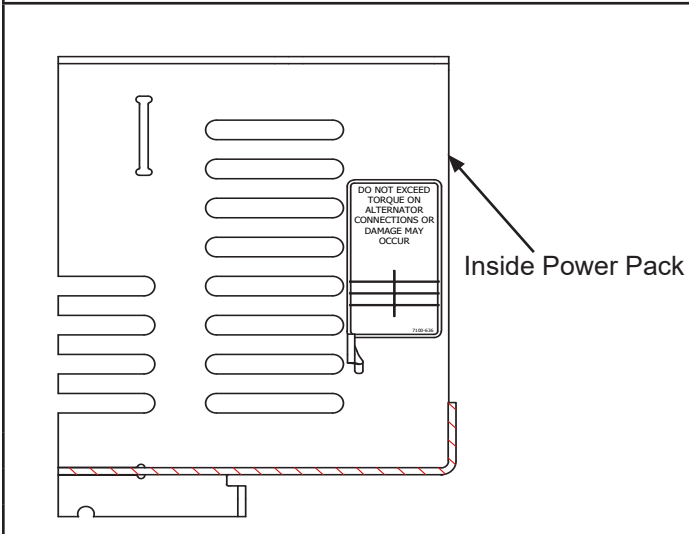
ITEM	PART NO.	QTY.	DESCRIPTION
1	GA6961	1	Hitch
2	GB0315	1	Step
3	GA16145	1	Ladder
4	GA14520	1	Hitch Step
5	GA4976	1	Shutoff Valve, 1¼" NPT
	GR1015	-	Body O-Ring (Included W/GA4976)
	GR1016	-	Stem O-Ring (Included W/GA4976)
	GR1017	-	Teflon Seat (Included W/GA4976)
	GR1018	-	Ball (Included W/GA4976)
	GR1019	-	Handle (Included W/GA4976)
6	GD20757	1	Hose Routing Bracket
7	GD1514	1	Adapter, 1¼" Male NPT To Cam Lock
8	GD1515	1	Dust Cap, 1¼" Cam Lock
9	GD1516	1	Adapter, 1¼" Barb To Female Cam Lock
10	GD1517	1	Dust Plug, 1¼" Male Cam Lock
11	G10003	4	Hex Head Cap Screw, ⅜"-16 x 1½"
12	G10039	4	Hex Head Cap Screw, ½"-13 x 1¾"
13	G11389	4	Flat Washer, ½" SAE
14	G10111	4	Lock Nut, ½"-13
15	G11091	5	Serrated Flange Nut, ⅜"-16
16	G10756	1	Hex Head Cap Screw, ⅜"-16 x 6"
17	GD13706-02	1	Anti-Slip Tape, 4" x 12"
18	G10626	1	Adapter, 1¼" NPT To Barb
19	G10672	2	Hose Clamp, No. 28
20	G4200-01	1	Hose, 1¼" x 22'
21	GD2117	2	Cable Tie, 14½"
22	GD2984	2	Cable Tie, 34"
23	GD3547	1	Pin, 1¼" x 12¾"
	G11396	2	Flat Washer, 1¼"
	G10460	2	Cotter Pin, ¼" x 2"
24	GA6960	1	Hitch
25	G10826	5	Hex Head Cap Screw, 1"-8 x 2½"
	G10396	5	Lock Nut, 1"-8
26	GD7908	1	Tap Block
	G10007	2	Hex Head Cap Screw, ⅝"-11 x 1½"
	G10230	2	Lock Washer, ⅝"
	G11391	2	Flat Washer, ⅝" SAE
	GB0218	2	Bushing, 2½" I.D. x ⅞" O.D. x 1⅞" Long
27	GD7907	1	Special Bolt
28	GB0206	1	Rod Guide
	G10007	2	Hex Head Cap Screw, ⅝"-11 x 1½"
	G10230	2	Lock Washer, ⅝"
	G11391	2	Flat Washer, ⅝" SAE
	GB0218	2	Bushing, 2½" I.D. x ⅞" O.D. x 1⅞" Long
29	GD2115	1	Spring
	G10105	3	Hex Nut, ¾"-10
	GB0213	1	Spring Seat



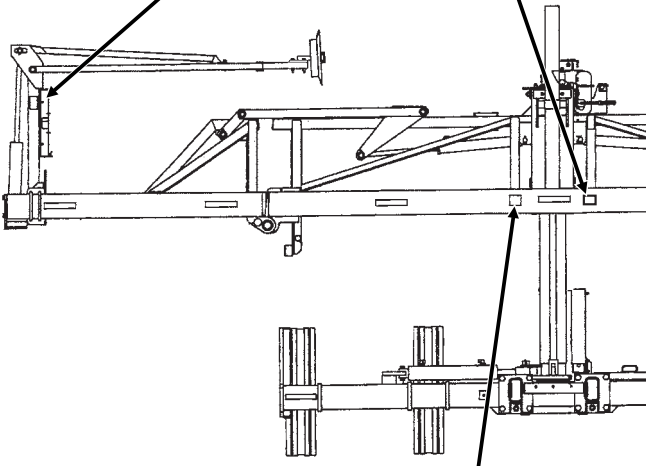


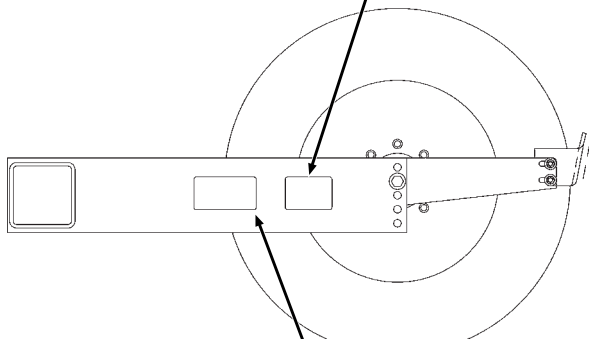


Part No.: G10367001  
 Description: Decal, Warning (2021 Production and on)  
 Quantity: 1

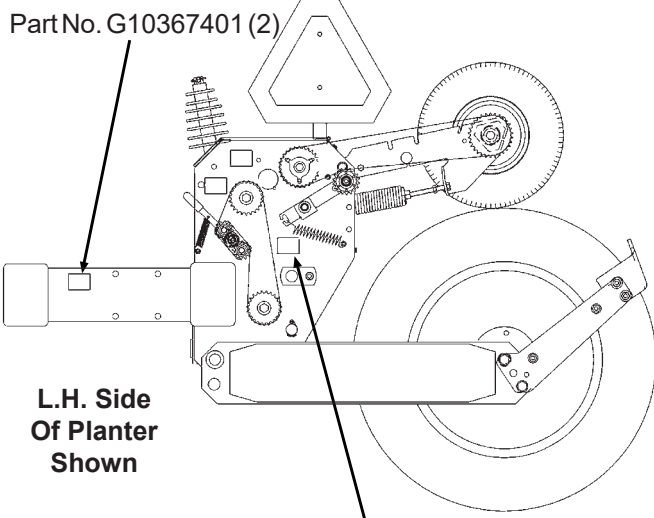


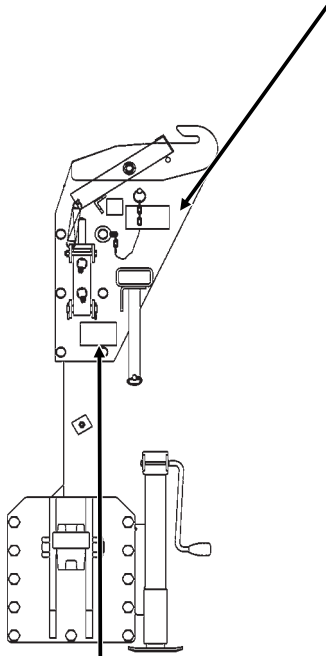
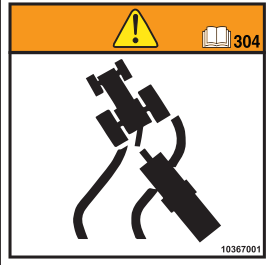
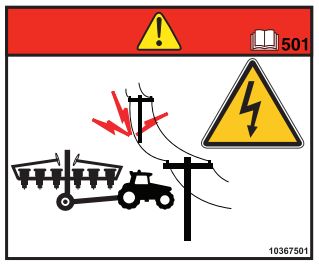


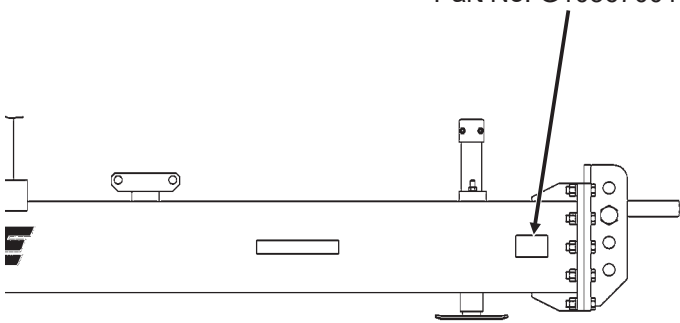
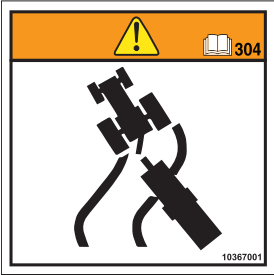
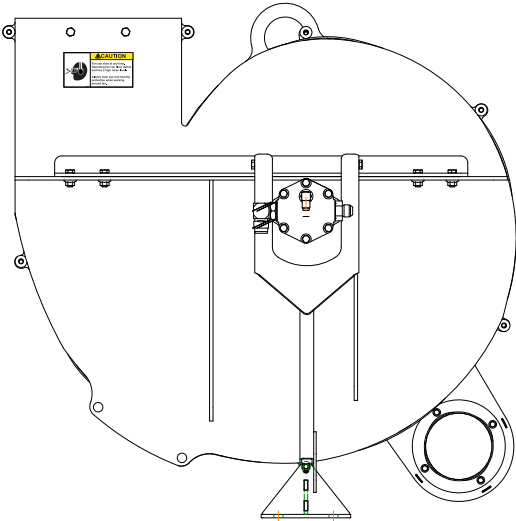

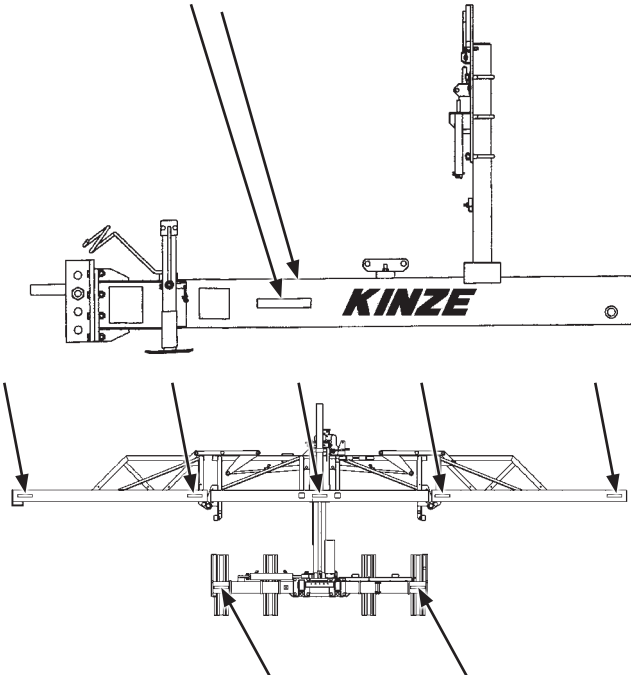

Part No.: G10367401  
 Description: Decal, Crush Warning (2021 Production and on)  
 Quantity: 1 (Per Contact Wheel Assembly)



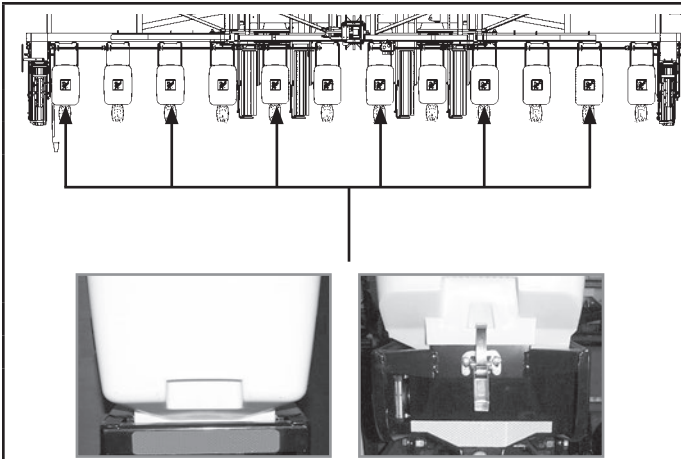
Part No.: G7100-636  
 Description: Decal, Do Not Exceed Torque  
 Quantity: 1

<p>Part No. G10367401 Front And Back On L.H. Side Of Planter</p> <p>Part No. G10366901 On Each Side of Row Marker</p>  <p>Part No. 7100-385 Front And Back On R.H. Side Of Planter</p>	
<p>Part No.: G10367401 Description: Decal, Crush Warning (2021 Production and on) Quantity: 1 (Per Contact Wheel Assembly)</p>	
<p>Part No.: G10366901 Description: Decal, Warning (2021 Production and on) Quantity: 1 (Per Row Marker Cylinder - Conventional) 4 (2 Per Row Marker)</p>	<p>PartNo. G10367301 (1)</p>  <p>Part No. G10367801 (2) Each side of outer stub axles.</p>
	<p>Part No.: G10367301 Description: Decal, Warning Quantity: -</p>
	<p>Part No.: G10367801 Description: Decal, Warning Quantity: 2 (Per Tire - Ground Drive Tires)</p>

 <p>Part No. G10367401 (2)</p> <p>L.H. Side Of Planter Shown</p> <p>Part No. G10366801 (2)</p>	
<p>Part No.: G10367401 Description: Decal, Crush Warning (2021 Production and on) Quantity: 1 (Per Contact Wheel Assembly)</p>	
<p>Part No.: G10366801 Description: Decal, Warning (2021 Production and on) Quantity: 1 (Per Contact Wheel Assembly)</p>	 <p>Part No. G10367501</p> <p>Part No. G10367001</p>
	<p>Part No.: G10367001 Description: Decal, Warning (2021 Production and on) Quantity: 1</p>
	<p>Part No.: G10367501 Description: Decal, Danger (2021 Production and on) Quantity: 1</p>

<p>Part No. G10367001</p> 	 <p>Part No.: G10367001 Description: Decal, Warning (2021 Production and on) Quantity: 1</p>
	 <p>Part No.: G10367101 Description: Decal, Caution Quantity: -</p>
	 <p>Part No.: G7100-558 Description: Reflective Decal, Amber, 1½" x 9", Rectangular Quantity: 2 (1 Located on Each Side of Hitch)</p> <p>4 (Used on 12 Row); 5 (Used on 16 Row) (Located On The Front Side Of The Front Toolbar - Side-Facing In Transport Position)</p> <p>2 (Forward-Facing)</p>





Note: 6 used on 12 row; 8 used on 16 row



Part No.: G7100-558  
 Description: Reflective Decal, Amber, 2" x 9", Rectangular  
 Quantity: 2 (Per Row Unit - Located On The Granular Chemical Hopper Panel Extension Of Every Other Row Unit Beginning On The L.H. Side Of The Planter - Side-Facing In Transport Position) (With Optional Granular Chemical)

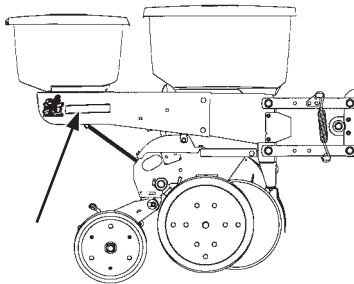
Part No.: G7100-262  
 Description: Reflective Decal, Amber, 1¾" x 9", Die-Cut  
 Quantity: 1 (Qty. 1 Per Row Unit - Located On The Hopper Support Of Every Other Row Unit Beginning On The L.H. Side Of The Planter - Side-Facing In Transport Position) (Standard)



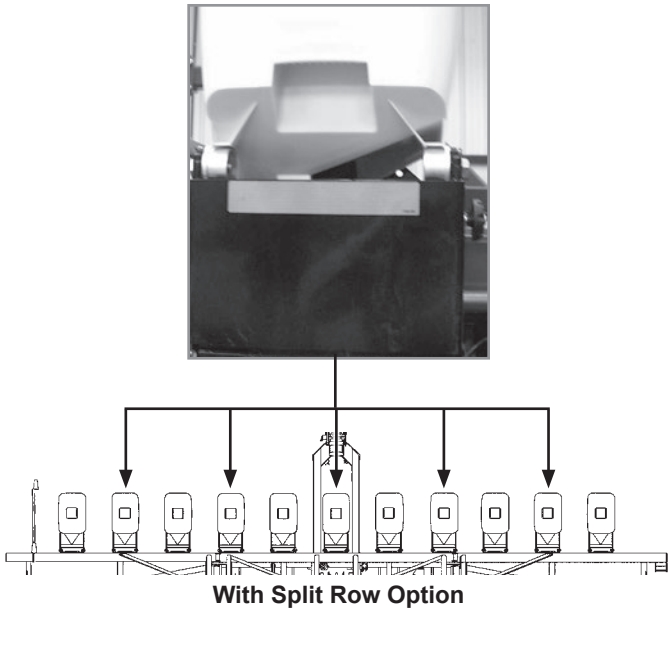
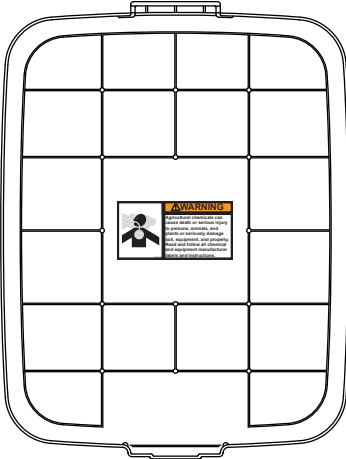

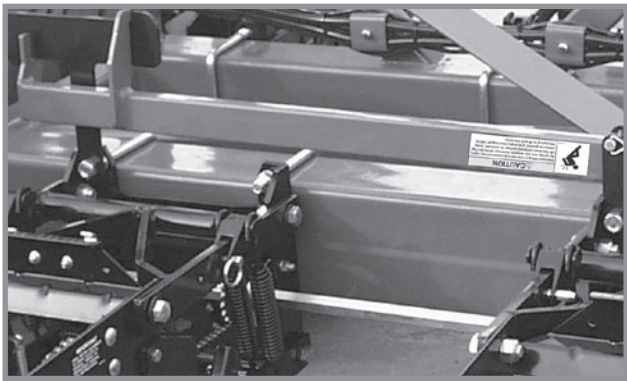

Part No.: G7100-557  
 Description: Reflective Decal, Red, 2" x 9" Rectangular  
 Quantity: 1 (Per Outer Scraper - Located On Top)

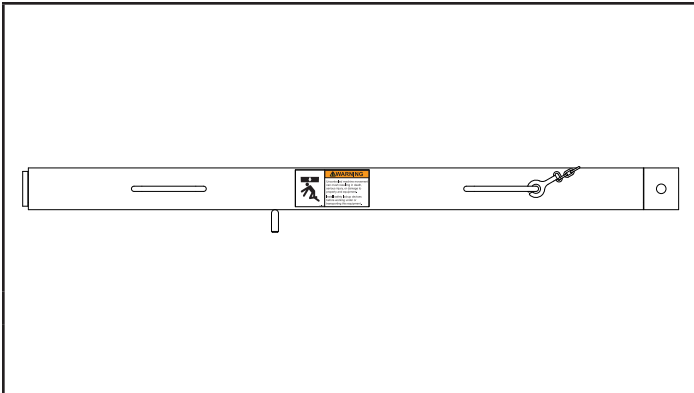
Part No.: G7100-559  
 Description: Reflective Decal, Orange, 2" x 9" Rectangular  
 Quantity: 1 (Per Outer Scraper - Located On Bottom)

With Granular Chemical Option

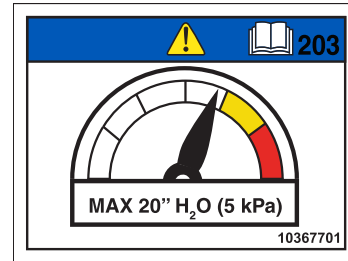
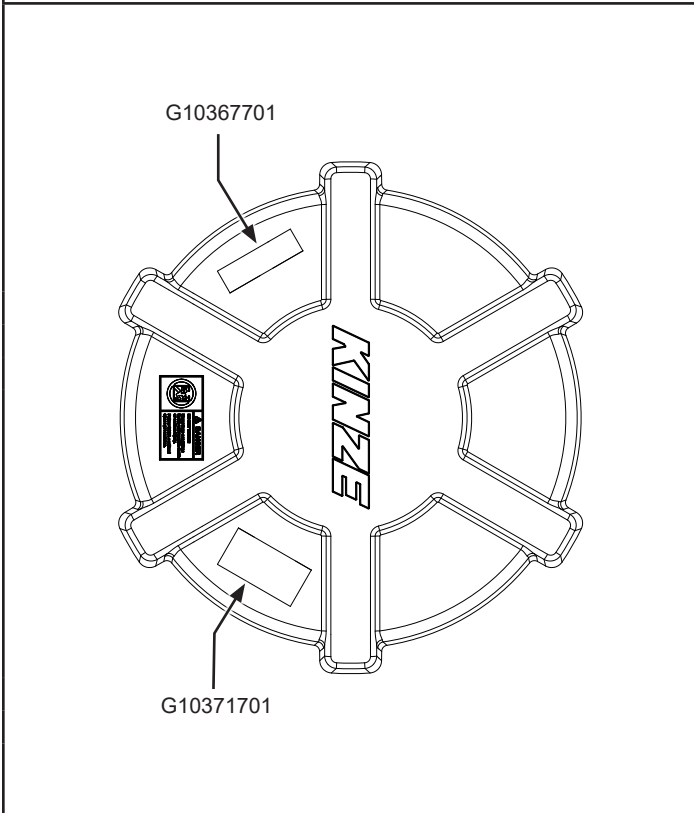


Part No.: G7100-558  
 Description: Reflective Decal, Amber, 2" x 9", Rectangular  
 Quantity: 1 (Located On The Outer Row Unit On The R.H. Side Of The Planter - Forward-Facing In Transport Position)

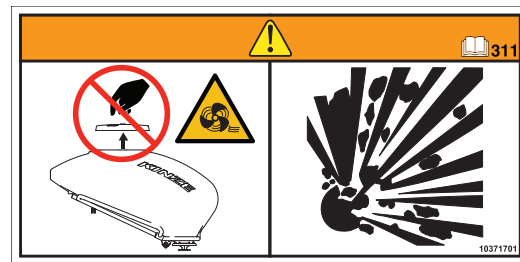
 <p style="text-align: center;"><b>With Split Row Option</b></p>	<div style="background-color: #cccccc; width: 100px; height: 20px; margin-bottom: 10px;"></div> <p>Part No.: G7100-558</p> <p>Description: Reflective Decal, Amber, 1½" x 9", Rectangular</p> <p>Quantity: 5 Used On 12 Row; 7 On 16 Row (Located On The Front Of Every Other Push Row Unit Beginning With The Center Row Unit And Every Other Row Unit To Both Ends - Side-Facing In Transport Position)</p>
	 <p>Part No.: G10367601</p> <p>Description: Decal, Chemical Warning (2021 Production and on)</p> <p>Quantity: 1 (1 Per Row Unit - Located On Underside Of Granular Chemical Hopper Lid)</p>
	 <p>Part No.: G10371901</p> <p>Description: Decal, Lifting Caution (2021 Production and on)</p> <p>Quantity: 1 (Located On Push Row Unit Lift Lever)</p>



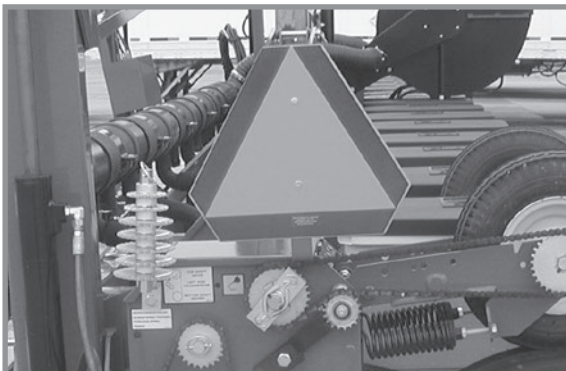
Part No.: G10367401  
 Description: Decal, Crush Warning (2021 Production and on)  
 Quantity: 1



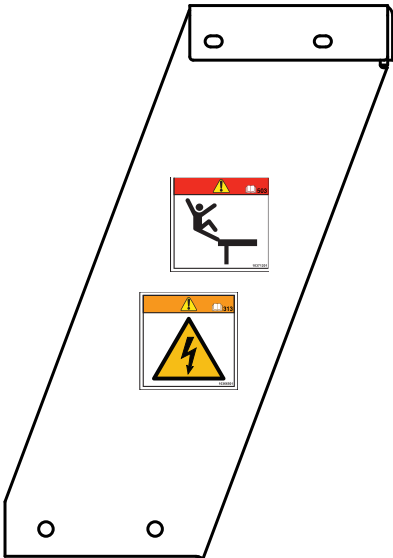

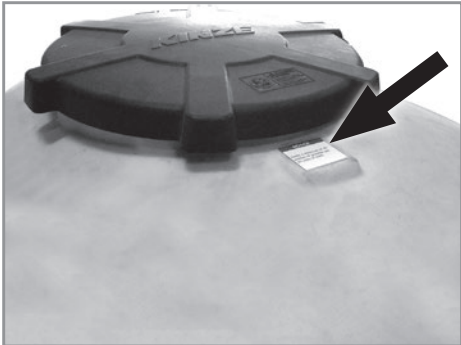
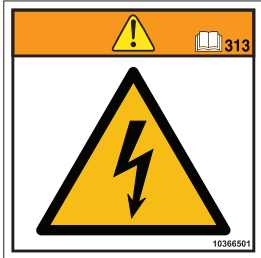


Part No.: G10367701  
 Description: Decal, Notice  
 Quantity: 2 (1 Per Tank Lid)

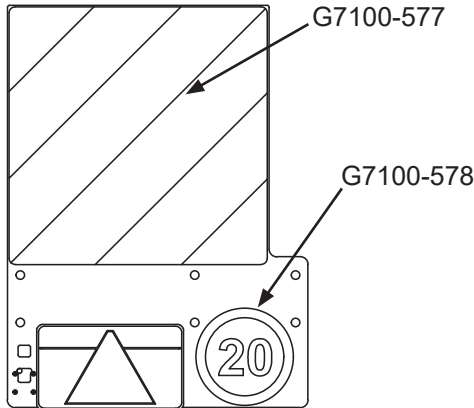

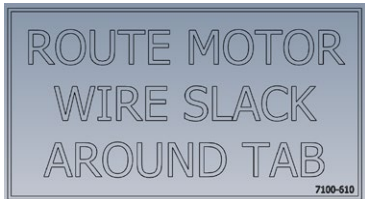
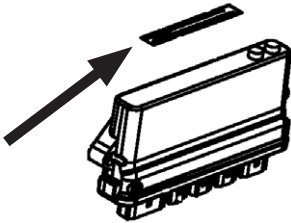

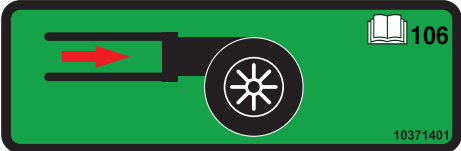
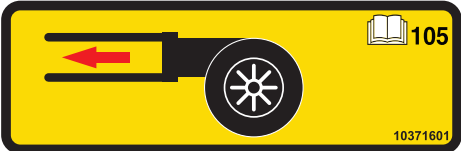


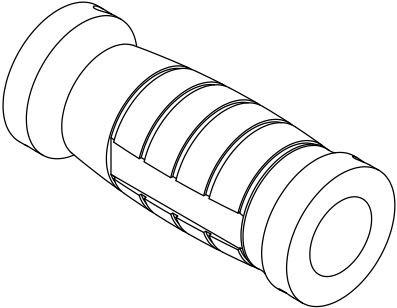
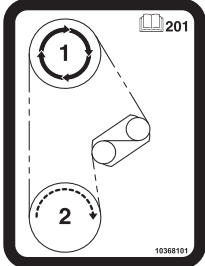
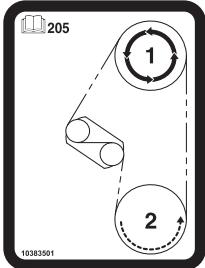
Part No.: 10371701  
 Description: Decal, Warning  
 Quantity: 2 (1 Per Tank Lid)

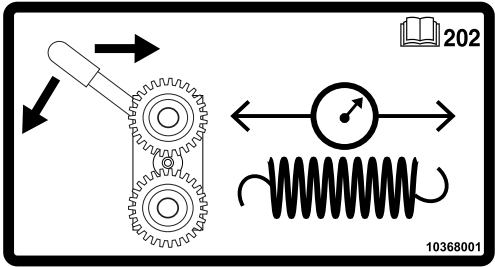

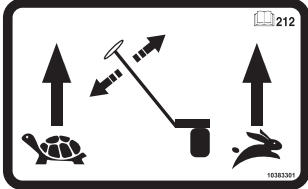
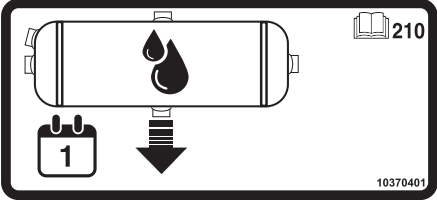





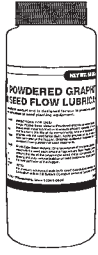

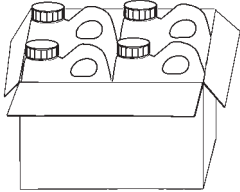





Part No.: GD2199  
 Description: SMV Sign  
 Quantity: 1

	
	<p>Part No.: G10371201                  Description: Decal, Warning (2021 Production and on)                  Quantity: -</p>
	
	<p>Part No.: G10365501                  Description: Decal, Static Shock                  Quantity: 2 (Located on each side of stair)</p>
	
	<p>Part No.: G10366701                  Description: Decal, Notice                  Quantity: 1</p> <p>Part No.: GD1162                  Description: Tie Strap, 28"</p> <p>Part No.: GD1512                  Description: Tie Strap, 7½"</p> <p>Part No.: GD2117                  Description: Tie Strap, 14½"</p> <p>Part No.: GD2984                  Description: Tie Strap, 34"</p>


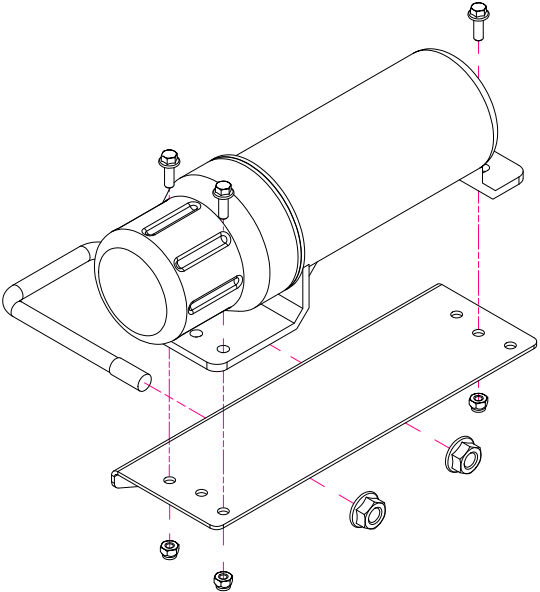
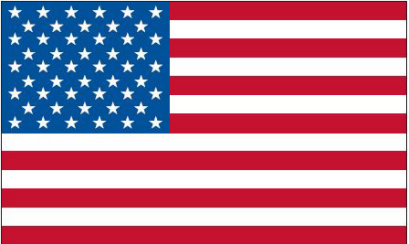
 <p>G7100-577</p> <p>G7100-578</p>	<p>Part No.: G7100-577                  Description: White/Red Reflective Decal                  Part No.: G7100-578                  Description: Decal 20 KM/H</p>
 <p>10370801</p>	<p>Part No.: G10370801                  Description: Decal, IPN/IPR                  Quantity: 1</p>
 <p>7100-610</p>	<p>Part No.: G7100-610                  Description: Decal, IPN/IPR M12 Connector O-ring                  Quantity: 16</p>
	 <p>10371001</p> <p>Part No.: G10371001                  Description: Decal, Meter Wire                  Quantity: 1</p>
 <p>10371401</p>	<p>Part No.: G10371401                  Description: Vacuum Decal</p>
 <p>10371601</p>	<p>Part No.: G10371601                  Description: Bulk Fill Decal</p>

	<p>Part No.: GA26924-01 Description: Hose Label Cover, Red, Extend</p> <p>Part No.: GA26924-02 Description: Hose Label Cover, Red, Retract</p> <p>Part No.: GA26924-03 Description: Hose Label Cover, Blue, Extend</p> <p>Part No.: GA26924-04 Description: Hose Label Cover, Blue, Retract</p> <p>Part No.: GA26924-05 Description: Hose Label Cover, Green, Extend</p> <p>Part No.: GA26924-06 Description: Hose Label Cover, Green, Retract</p> <p>Part No.: GA26924-07 Description: Hose Label Cover, Yellow, Extend</p> <p>Part No.: GA26924-08 Description: Hose Label Cover, Yellow, Retract</p> <p>Part No.: GA26924-09 Description: Hose Label Cover, White, Extend</p> <p>Part No.: GA26924-10 Description: Hose Label Cover, White, Retract</p> <p>Part No.: GA26924-11 Description: Hose Label Cover, Orange, Retract</p>
	<p>Part No.: G10368101 Description: Decal, Transmission (2021 Production and on) Quantity: 1</p>
	<p>Part No.: G10383501 Description: Decal, Transmission (2021 Production and on) Quantity: 1</p>

	<p>Part No.: G10368001                  Description: Decal, Spring Tension Release                  Quantity: -</p>
	<p>Part No.: G10367201                  Description: Decal, Warning                  Quantity: 1</p>
	<p>Part No.: G10383301                  Description: Decal, Information</p>
	<p>Part No.: G10371801                  Description: Decal, Tank Drain</p>
	<p>Part No.: G10368201                  Description: Decal, Oil/Grease Daily (2021 Production and on)                  Quantity: -</p>
	<p>Part No.: G10371501                  Description: Decal, Oil/Grease Weekly (2021 Production and on)                  Quantity: -</p>

	<p>Part No.: G10383201                  Description: Decal, Wash Hands                  Quantity: -</p>
	<p>Part No.: GR0146MPP                  Description: Powdered Graphite, Twenty-Four 1 Pound Containers</p>
	<p>Part No.: GR1570MPP                  Description: Talc Lubricant, Four 8 Pound Containers</p>
	<p>Part No.: GR1842MPP                  Description: Graphite Lubricant, Four 5 Pound Containers</p>
	<p>Part No.: GR2240MPP                  Description: Talc/Graphite Blend (80 Talc/20 Graphite), Four 8 Pound Containers</p>
	<p>Part No.: GR2241MPP                  Description: Dispensing Cap, 10/Package</p>
	<p>Part No.: G10068001                  Description: Decal, Kinze 3605                  Quantity: 2 (1 On Each Side of Hitch)</p>
	<p>Part No.: G10887501                  Description: Decal, Kinze 3605 Blue Drive                  Quantity: 2 (1 On Each Side of Hitch)</p>
	<p>Part No.: G10147301                  Description: Decal, True Speed Large                  Quantity: -</p>



	<p>Part No.: GM0312-01                  GM0312-01-RUS (Russian)                  GM0312-01-BGR (Bulgarian)                  GM0312-01-UKR (Ukrainian)                  Description: Operator Manual, Model 3605</p> <p>Part No.: GM0312-02                  Description: Parts Manual, Model 3605</p> <p>Part No.: GPR1094                  Description: Binder (Contact Kinze Parts To Order)</p>
	<p>Part No.: GA15422                  Description: Operator's Manual Canister                  Quantity: 1</p> <p>Part No.: GD22686                  Description: Manual Canister Bracket                  Quantity: 1</p> <p>Part No.: GD16642                  Description: U-Bolt, 3" x 4" x 1/2"-13                  Quantity: 1</p> <p>Part No.: G10071                  Description: Serrated Flange Nut, 1/2"-13                  Quantity: 2</p> <p>Part No.: G11166                  Description: Hex Socket Flange Cap Screw, 1/4"-20 x 3/4"                  Quantity: 3</p> <p>Part No.: G11320                  Description: Lock Nut, 1/4"-20, Grade B                  Quantity: 3</p>
	<p>Part No.: G7100-484                  Description: Decal, American Flag</p>

**This page left blank intentionally.**

Part No.	Page	Part No.	Page	Part No.	Page	Part No.	Page
*A1018	P202	*A7682-11	P78	*A13807	P106	A18956	P138
*A1021	P203	*A7682-35	P76	*A13808	P105	A18957	P129
*A1027	P124	*A7682-35	P78	*A13808	P106	*A21530-110	P207
*A1028	P200	*A8267	P200	*A13809	P106	*A21530-110	P208
*A1030	P124	*A8267	P202	*A13810	P106	*A21530-180	P206
*A1034	P202	**A8822	P173	*A13817	P106	*A21533-30	P124
*A1041	P198	**A9467	P170	*A13824	P105	*A21541-28	P90
*A1053	P124	*A11440	P206	*A13824	P106	*A21548-237	P90
*A1053	P198	*A11442	P90	*A13826	P106	*A21548-237	P124
*A1055	P200	*A11442	P124	**A13937	P176	*A21548-237	P206
*A1055	P202	*A11443	P90	**A13953	P176	*A21548-250	P90
*A1057	P200	*A11443	P124	**A14275	P172	*A21548-250	P124
*A1076	P200	*A11443	P124	**A14278	P169	*A21548-250	P206
*A1076	P202	*A11459	P90	A14310	P125	A22554-20	P238
*A1089	P200	*A11459	P124	**A14480	P177	A22554-20	P242
*A1110	P198	*A11810-68	P92	*A14593	P106	A22554-36	P238
*A1116	P198	*A11810-72	P92	A14631	P167	A22554-36	P242
*A1139	P198	*A11810-72	P96	*A15035-21	P212	A22554-265	P238
*A1171	P198	*A12002	P90	*A15064	P90	A22554-265	P242
*A1404	P200	*A12038	P76	*A15080-230	P212	A22554-360	P238
*A1404	P202	*A12038	P78	*A15080-260	P212	A22554-360	P242
*A1424	P200	*A12038	P207	*A15081-36	P76	A22554-375	P238
*A1424	P202	*A12038	P208	*A15081-36	P78	A22554-375	P242
*A1464	P90	*A12042	P202	*A15081-36	P207	A22554-424	P242
*A1464	P124	*A12076	P203	*A15081-36	P208	A22554-533	P238
*A1464	P124	*A12085	P124	*A15081-180	P206	A22555-20	P238
*A1478	P90	*A12085	P203	*A15083-230	P212	A22555-20	P242
*A1478	P124	*A12090	P200	*A15083-280	P212	A22555-184	P238
*A1478	P198	*A12094	P90	*A15092-90	P93	A22555-184	P242
*A3111	P202	*A12095	P124	*A15092-130	P93	A22555-228	P238
*A3117	P200	*A12096	P90	A18288	P125	A22555-228	P242
*A3117	P203	*A12097	P206	A18289	P129	A22556-91	P238
*A3122	P202	*A12745	P90	A18294	P138	A22556-91	P242
*A3127	P202	*A12747	P206	A18295	P138	A22556-115	P238
*A3131	P200	*A12751	P90	*A18666-90	P93	A22556-115	P242
*A3131	P202	*A12751	P124	*A18666-130	P93	A22556-134	P238
*A3139	P202	*A12752	P124	*A18667-244	P206	A22556-134	P242
*A3152	P124	*A12752	P203	*A18670-225	P212	A24487-100	P238
*A3158	P200	*A12937-24	P98	*A18670-265	P212	A24487-100	P242
*A3158	P202	*A12937-24	P100	*A18671-30	P210	A24487-120	P238
*A3158	P203	*A13800	P106	*A18688-38	P124	A24487-120	P242
**A7220	P168	*A13801	P105	*A18690-238	P212	A24488-27	P238
*A7677-20	P207	*A13801	P105	*A18690-250	P212	A24488-27	P242
*A7678-13	P207	*A13801	P106	*A18693-198	P198	A24488-203	P238
*A7680-11	P76	*A13802	P105	*A18693-237	P90	A24488-203	P242
*A7680-11	P78	*A13802	P106	*A18693-237	P124	A24488-255	P238
*A7680-14	P207	*A13803	P105	*A18693-237	P206	A24488-255	P242
*A7680-14	P208	*A13803	P106	*A18693-250	P90	A25399-36	P238
*A7680-35	P76	*A13804	P105	*A18693-250	P124	A25399-36	P242
*A7680-35	P78	*A13804	P106	*A18693-250	P198	*A25487-90	P93
*A7680-35	P207	*A13805	P105	*A18693-250	P206	*A25487-130	P93
*A7680-35	P208	*A13805	P106	*A18867-180	P206	*A25487-196	P206
*A7682-11	P76	*A13807	P105	A18955	P138	*A25504-30	P207

# Numerical Index

M0312-02

Model 3605

Part No.	Page	Part No.	Page	Part No.	Page	Part No.	Page
*A25690-48	P76	*D12246	P169	G1K345	P16	G2408-08	P202
*A25690-48	P78	*D12247	P169	G1K362	P218	G2408-10	P90
*A25701-110	P207	*D12248	P169	G1K362	P224	G2408-12	P90
*A25701-110	P208	*D12251	P167	G1K363	P218	G2500-84	P297
*A25707-68	P92	*D12251	P173	G1K363	P224	G2503-20	P98
*A25707-68	P96	*D12251	P177	G1K378	P277	G2503-20	P100
*A25707-72	P92	*D12252	P168	G1K379	P277	G2603-06	P76
*A25707-72	P96	*D12252	P170	G1K380	P146	G2603-06	P78
A26287	P32	*D12253	P176	G1K380	P150	G2603-06	P207
*A26936-198	P198	*D12254	P172	G1K381	P146	G2603-06	P208
*A26936-250	P198	*D12255	P169	G1K381	P150	G2603-08	P202
*A26938-237	P90	*D12255	P172	G1K728	P21	G2603-08	P206
*A26938-250	P90	*D12257	P170	G1K758	P8	G2603-10	P206
*A26939-238	P212	*D12257	P172	G304-C-06	P76	G2700-06-06	P90
*A26939-250	P212	*D12275	P167	G304-C-06	P78	G2700-06-06	P132
*D12012	P167	*D12275	P173	G304-C-8	P98	G2700-08	P176
*D12040	P168	*D12278	P176	G304-C-8	P100	G2700-08	P200
*D12047	P176	*D12278	P177	G304-C-08	P176	G2700-08	P202
*D12047	P177	**D13169	P174	G304-C-8	P206	G2700-10	P90
*D12072	P168	**D13426	P174	G304-C-8	P210	G2700-10	P124
*D12092	P169	*D29649	P169	G304-C-10	P134	G2700-10	P132
*D12093	P169	*D29649	P170	G304-C-10	P206	G2700-10	P200
*D12108	P170	*D29649	P172	G304-C-12	P134	G2700-10	P202
*D12108	P172	*D30262	P167	G306-06	P90	G2700-12	P90
*D12110	P170	*D30399	P173	G306-06	P132	G2700-12	P124
*D12110	P172	G1K248	P86	G306-08	P161	G2701-08	P161
*D12200	P176	G1K248	P156	G306-08	P176	G2701-08	P226
*D12202	P176	G1K248	P216	G306-08	P200	G2701-10	P98
*D12202	P177	G1K248	P218	G306-08	P202	G2701-10	P100
*D12203	P176	G1K248	P224	G306-08	P226	G2702-06	P90
*D12203	P177	G1K252	P156	G306-10	P90	G2702-10	P90
*D12204	P176	G1K252	P216	G306-10	P98	G2702-10	P124
*D12206	P168	G1K252	P218	G306-10	P100	G2702-12	P90
*D12206	P170	G1K252	P224	G306-10	P124	G2702-12	P124
*D12210	P167	G1K267	P156	G306-10	P132	G2702-12	P132
*D12210	P173	G1K267	P216	G306-10	P200	G2703-08-08-10	P200
*D12210	P177	G1K268	P156	G306-10	P202	G2703-08-08-10	P202
*D12212	P167	G1K268	P216	G306-12	P90	G3200-63	P291
*D12212	P173	G1K268	P218	G306-12	P124	G3200-63	P297
*D12213	P167	G1K269	P74	G306-12	P132	G3303-16	P4
*D12213	P173	G1K269	P150	G0912	P148	G3303-41	P68
*D12218	P172	G1K274	P192	G2100-03	P74	G3303-44	P12
*D12221	P168	G1K275	P192	G2100-03	P150	G3303-78	P68
*D12222	P168	G1K296	P14	G2100-03	P152	G3303-88	P12
*D12223	P168	G1K320	P156	G2100-03	P279	G3303-96	P65
*D12224	P168	G1K320	P216	G2100-03	P285	G3303-103	P12
*D12226	P177	G1K320	P218	G2100-03	P287	G3303-108	P4
*D12227	P170	G1K321	P156	G2403-10	P206	G3303-108	P32
*D12227	P172	G1K321	P216	G2403-12	P98	G3303-108	P37
*D12228	P170	G1K321	P218	G2403-12	P100	G3310-62	P279
*D12228	P172	G1K322	P218	G2403-12	P206	G3310-80	P146
*D12240	P169	G1K324	P146	G2408-06	P90	G3310-80	P148
*D12240	P172	G1K331	P74	G2408-08	P200	G3310-80	P150

Part No.	Page	Part No.	Page	Part No.	Page	Part No.	Page
G3310-88	P276	G6400-08-12	P210	G6408-H10-0	P190	G6801-12	P92
G3310-100	P148	G6400-10	P124	G6408-HHP-16	P187	G6801-12	P96
G3310-100	P285	G6400-10	P180	G6408-HHP-16	P195	G6801-12	P98
G3310-100	P287	G6400-10	P182	G6408-HHP-16	P196	G6801-12	P100
G3310-114	P146	G6400-10	P183	G6410-16-08	P98	G6801-12	P104
G3310-114	P148	G6400-10	P189	G6410-16-08	P100	G6801-12-10	P104
G3310-114	P285	G6400-10	P190	G6410-20-16	P98	G6801-12-16	P98
G3310-114	P287	G6400-10	P210	G6410-20-16	P100	G6801-12-20	P98
G3310-122	P74	G6400-10-08	P180	G6500-06	P90	G6801-12-20	P100
G3310-130	P277	G6400-10-08	P184	G6500-06	P183	G6801-20	P92
G3400-01	P74	G6400-10-08	P185	G6500-08	P90	G6801-20	P96
G3400-01	P150	G6400-10-08	P190	G6500-08	P182	G6801-L-08	P182
G3400-01	P152	G6400-10-08	P191	G6500-08	P210	G6801-LL-10	P195
G3400-01	P279	G6400-10-08	P194	G6500-08	P308	G6801-LL-10	P196
G3400-01	P285	G6400-12	P124	G6500-10	P191	G6801-LL-12	P98
G3400-01	P287	G6400-12	P180	G6500-10	P194	G6801-LL-12	P100
G4200-01	P343	G6400-12	P187	G6500-10	P210	G6802-08	P184
G4200-05	P289	G6400-12	P189	G6500-10	P228	G6802-08	P185
G4201-03	P289	G6400-12	P190	G6500-12	P191	G6803-04-04-04	P204
G4205-14	P289	G6400-12	P195	G6500-12	P194	G6803-04-04-04	P204
G4301-08	P289	G6400-12	P196	G6500-12	P194	G6804-08	P98
G4301-11	P273	G6400-12-10	P191	G6504-08-08-04	P185	G6804-08	P100
G4431-01	P108	G6400-12-10	P194	G6602-06	P76	G6804-10	P100
G4431-01	P333	G6400-L-06	P183	G6602-06	P78	G6804-10	P124
G4602-03	P333	G6400-L-08	P182	G6602-06	P124	G6804-10	P180
G4602-03	P335	G6403-NWO-08	P182	G6602-06	P206	G6804-12	P124
G4602-21	P293	G6403-NWO-08	P182	G6602-06	P207	G6804-12	P180
G4602-21	P295	G6408-04	P167	G6801-04-04	P26	G6835-16-16-16	P98
G5000-08-04	P313	G6408-04	P172	G6801-04-04	P80	G6835-16-16-16	P100
G6325X	P8	G6408-06	P189	G6801-06	P104	G7100-262	P348
G6400-04	P80	G6408-06	P191	G6801-06	P183	G7100-557	P348
G6400-04	P204	G6408-08	P167	G6801-06	P228	G7100-558	P347
G6400-06	P180	G6408-08	P168	G6801-06	P319	G7100-558	P348
G6400-06	P183	G6408-08	P169	G6801-06-08	P126	G7100-558	P348
G6400-06	P189	G6408-08	P170	G6801-06-08	P140	G7100-558	P349
G6400-06	P190	G6408-08	P172	G6801-08	P124	G7100-559	P348
G6400-06-08	P130	G6408-08	P173	G6801-08	P128	G7100-577	P352
G6400-06-VT	P87	G6408-08	P176	G6801-08	P160	G7100-578	P352
G6400-08	P130	G6408-08	P177	G6801-08	P182	G7100-614	P21
G6400-08	P180	G6408-08	P182	G6801-08	P182	G7100-616	P46
G6400-08	P182	G6408-10	P182	G6801-08	P183	G7100-616	P72
G6400-08	P182	G6408-10	P195	G6801-08	P188	G7100-636	P344
G6400-08	P183	G6408-12	P189	G6801-08-06	P319	G7566X	P27
G6400-08	P184	G6408-12	P195	G6801-08-10	P182	G7633X	P216
G6400-08	P185	G6408-H04-0	P186	G6801-10	P87	G8647X	P218
G6400-08	P186	G6408-H04-0	P194	G6801-10	P100	G9897X	P30
G6400-08	P200	G6408-H06-0	P183	G6801-10	P187	G9903X	P30
G6400-08	P202	G6408-H06-0	P194	G6801-10	P195	G9978X	P126
G6400-08	P210	G6408-H06-O	P182	G6801-10	P196	G10001	P16
G6400-08	P308	G6408-H06-O	P182	G6801-10	P228	G10001	P28
G6400-08-04	P160	G6408-H06-O	P186	G6801-10-08	P194	G10001	P65
G6400-08-04	P176	G6408-H06-O	P190	G6801-10-12	P210	G10001	P96
G6400-08-10	P87	G6408-H08-0	P194	G6801-10-16	P100	G10001	P98

# Numerical Index

M0312-02

Model 3605

Part No.	Page	Part No.	Page	Part No.	Page	Part No.	Page
G10001	P100	G10004	P132	G10017	P80	G10036	P43
G10001	P108	G10004	P132	G10017	P82	G10036	P152
G10001	P116	G10004	P135	G10017	P130	G10036	P160
G10001	P120	G10004	P140	G10017	P138	G10036	P285
G10001	P122	G10004	P150	G10017	P162	G10036	P287
G10001	P122	G10004	P160	G10017	P212	G10037	P6
G10001	P147	G10004	P160	G10017	P214	G10037	P70
G10001	P180	G10004	P214	G10017	P267	G10037	P82
G10001	P218	G10004	P226	G10017	P277	G10037	P134
G10001	P224	G10004	P265	G10017	P279	G10037	P140
G10001	P226	G10004	P289	G10017	P281	G10037	P147
G10001	P230	G10004	P293	G10017	P291	G10037	P276
G10001	P231	G10004	P295	G10017	P333	G10038	P152
G10001	P259	G10004	P309	G10111	P214	G10039	P160
G10001	P264	G10004	P335	G10018	P80	G10039	P265
G10001	P273	G10005	P8	G10018	P165	G10039	P279
G10001	P309	G10005	P10	G10019	P14	G10039	P343
G10001	P313	G10005	P127	G10019	P84	G10040	P158
G10001	P340	G10006	P40	G10019	P158	G10040	P232
G10002	P10	G10006	P101	G10019	P158	G10041	P86
G10002	P34	G10006	P126	G10019	P164	G10041	P213
G10002	P38	G10006	P160	G10019	P224	G10041	P230
G10002	P72	G10007	P27	G10019	P224	G10043	P224
G10002	P98	G10007	P127	G10019	P263	G10045	P40
G10002	P182	G10007	P264	G10019	P299	G10045	P160
G10002	P184	G10007	P293	G10019	P341	G10045	P164
G10002	P210	G10007	P343	G10020	P230	G10045	P212
G10002	P267	G10007	P343	G10021	P80	G10045	P263
G10002	P273	G10008	P110	G10021	P273	G10046	P263
G10003	P4	G10008	P297	G10022	P327	G10046	P267
G10003	P24	G10009	P291	G10023	P34	G10047	P65
G10003	P104	G10010	P14	G10023	P38	G10047	P68
G10003	P166	G10010	P42	G10023	P92	G10047	P122
G10003	P182	G10010	P271	G10023	P96	G10047	P146
G10003	P301	G10011	P140	G10023	P98	G10047	P150
G10003	P328	G10011	P267	G10023	P100	G10047	P267
G10003	P343	G10012	P161	G10023	P118	G10047	P276
G10004	P8	G10012	P297	G10023	P154	G10047	P277
G10004	P42	G10013	P16	G10023	P234	G10048	P12
G10004	P46	G10014	P4	G10025	P86	G10049	P68
G10004	P64	G10014	P14	G10025	P140	G10049	P140
G10004	P72	G10014	P120	G10026	P126	G10049	P265
G10004	P73	G10014	P126	G10026	P134	G10049	P277
G10004	P86	G10014	P228	G10026	P144	G10053	P134
G10004	P86	G10014	P309	G10026	P144	G10053	P152
G10004	P92	G10016	P74	G10027	P116	G10057	P291
G10004	P92	G10016	P74	G10027	P140	G10060	P140
G10004	P98	G10016	P101	G10028	P125	G10061	P4
G10004	P100	G10016	P126	G10028	P142	G10061	P18
G10004	P104	G10016	P126	G10031	P14	G10062	P130
G10004	P108	G10016	P265	G10033	P40	G10064	P16
G10004	P110	G10017	P26	G10033	P160	G10064	P28
G10004	P116	G10017	P26	G10034	P84	G10064	P120

Part No.	Page	Part No.	Page	Part No.	Page	Part No.	Page
G10064	P122	G10101	P291	G10105	P264	G10108	P86
G10064	P138	G10101	P299	G10105	P291	G10108	P86
G10064	P166	G10101	P301	G10105	P293	G10108	P92
G10064	P214	G10101	P313	G10105	P343	G10108	P96
G10064	P232	G10102	P40	G10106	P158	G10108	P98
G10064	P319	G10102	P40	G10106	P158	G10108	P100
G10071	P4	G10102	P74	G10106	P224	G10108	P104
G10071	P6	G10102	P74	G10106	P224	G10108	P104
G10071	P24	G10102	P74	G10106	P281	G10108	P108
G10071	P26	G10102	P82	G10106	P281	G10108	P110
G10071	P70	G10102	P92	G10106	P281	G10108	P116
G10071	P80	G10102	P92	G10106	P281	G10108	P118
G10071	P84	G10102	P96	G10107	P8	G10108	P122
G10071	P92	G10102	P130	G10107	P16	G10108	P126
G10071	P96	G10102	P134	G10107	P43	G10108	P126
G10071	P108	G10102	P158	G10107	P101	G10108	P126
G10071	P120	G10102	P160	G10107	P108	G10108	P129
G10071	P126	G10102	P160	G10107	P110	G10108	P130
G10071	P129	G10102	P164	G10107	P126	G10108	P132
G10071	P130	G10102	P164	G10107	P126	G10108	P134
G10071	P130	G10102	P212	G10107	P132	G10108	P134
G10071	P141	G10102	P267	G10107	P134	G10108	P138
G10071	P144	G10102	P277	G10107	P140	G10108	P140
G10071	P162	G10102	P281	G10107	P140	G10108	P160
G10071	P162	G10102	P289	G10107	P152	G10108	P160
G10071	P184	G10102	P291	G10107	P160	G10108	P166
G10071	P214	G10102	P297	G10107	P160	G10108	P172
G10071	P214	G10103	P130	G10107	P161	G10108	P180
G10071	P214	G10103	P154	G10107	P162	G10108	P226
G10071	P228	G10103	P154	G10107	P226	G10108	P264
G10071	P309	G10103	P308	G10107	P263	G10108	P265
G10071	P340	G10104	P8	G10107	P267	G10108	P267
G10073	P297	G10104	P27	G10107	P269	G10108	P267
G10085	P134	G10104	P64	G10107	P285	G10108	P269
G10096	P293	G10104	P64	G10107	P287	G10108	P273
G10096	P293	G10104	P65	G10107	P295	G10108	P277
G10096	P295	G10104	P65	G10107	P297	G10108	P285
G10100	P265	G10104	P82	G10107	P303	G10108	P287
G10101	P16	G10104	P134	G10107	P308	G10108	P289
G10101	P27	G10104	P263	G10108	P4	G10108	P301
G10101	P66	G10104	P265	G10108	P4	G10108	P310
G10101	P68	G10104	P267	G10108	P18	G10108	P340
G10101	P73	G10104	P267	G10108	P19	G10109	P14
G10101	P92	G10104	P277	G10108	P20	G10109	P16
G10101	P130	G10104	P281	G10108	P24	G10109	P40
G10101	P150	G10104	P291	G10108	P32	G10109	P42
G10101	P154	G10104	P293	G10108	P34	G10109	P74
G10101	P218	G10104	P302	G10108	P64	G10109	P86
G10101	P219	G10104	P333	G10108	P65	G10109	P164
G10101	P224	G10104	P335	G10108	P66	G10109	P213
G10101	P259	G10104	P336	G10108	P68	G10109	P230
G10101	P263	G10105	P125	G10108	P68	G10109	P260
G10101	P265	G10105	P142	G10108	P70	G10109	P263

# Numerical Index

M0312-02

Model 3605

Part No.	Page	Part No.	Page	Part No.	Page	Part No.	Page
G10109	P263	G10112	P126	G10204	P10	G10229	P154
G10109	P269	G10112	P134	G10204	P14	G10229	P176
G10110	P28	G10118	P127	G10204	P263	G10229	P180
G10110	P32	G10120	P74	G10204	P271	G10229	P182
G10110	P92	G10130	P73	G10207	P4	G10229	P184
G10110	P96	G10130	P150	G10209	P24	G10229	P218
G10110	P112	G10131	P130	G10209	P70	G10229	P219
G10110	P114	G10131	P149	G10209	P98	G10229	P224
G10110	P120	G10133	P16	G10209	P100	G10229	P259
G10110	P122	G10133	P40	G10210	P98	G10229	P263
G10110	P161	G10133	P42	G10210	P299	G10229	P265
G10110	P164	G10133	P230	G10211	P313	G10229	P265
G10110	P210	G10133	P263	G10216	P14	G10229	P276
G10110	P273	G10133	P263	G10217	P101	G10229	P277
G10110	P289	G10133	P269	G10217	P267	G10229	P301
G10110	P313	G10156	P86	G10219	P260	G10230	P8
G10111	P16	G10157	P125	G10220	P264	G10230	P14
G10111	P40	G10157	P127	G10227	P150	G10230	P16
G10111	P40	G10159	P128	G10227	P154	G10230	P27
G10111	P43	G10159	P138	G10227	P154	G10230	P64
G10111	P101	G10159	P160	G10227	P154	G10230	P64
G10111	P110	G10159	P161	G10227	P158	G10230	P65
G10111	P126	G10162	P191	G10227	P277	G10230	P65
G10111	P129	G10166	P291	G10228	P6	G10230	P82
G10111	P132	G10168	P152	G10228	P14	G10230	P127
G10111	P134	G10168	P160	G10228	P26	G10230	P263
G10111	P134	G10168	P164	G10228	P40	G10230	P265
G10111	P138	G10168	P164	G10228	P40	G10230	P265
G10111	P140	G10168	P285	G10228	P74	G10230	P267
G10111	P149	G10168	P287	G10228	P74	G10230	P267
G10111	P152	G10169	P125	G10228	P74	G10230	P277
G10111	P152	G10169	P127	G10228	P80	G10230	P281
G10111	P160	G10171	P116	G10228	P82	G10230	P293
G10111	P160	G10171	P281	G10228	P96	G10230	P302
G10111	P162	G10171	P281	G10228	P126	G10230	P333
G10111	P210	G10171	P281	G10228	P134	G10230	P343
G10111	P214	G10171	P297	G10228	P158	G10230	P343
G10111	P263	G10172	P132	G10228	P160	G10231	P144
G10111	P263	G10172	P134	G10228	P160	G10231	P293
G10111	P265	G10172	P180	G10228	P164	G10232	P158
G10111	P265	G10172	P190	G10228	P164	G10232	P158
G10111	P265	G10201	P19	G10228	P164	G10232	P182
G10111	P267	G10201	P20	G10228	P277	G10232	P224
G10111	P267	G10201	P32	G10228	P281	G10232	P224
G10111	P269	G10201	P66	G10229	P16	G10232	P263
G10111	P276	G10201	P68	G10229	P27	G10232	P267
G10111	P277	G10201	P116	G10229	P34	G10232	P281
G10111	P279	G10201	P281	G10229	P38	G10232	P281
G10111	P285	G10201	P281	G10229	P42	G10232	P281
G10111	P287	G10203	P273	G10229	P73	G10232	P281
G10111	P333	G10203	P309	G10229	P146	G10232	P297
G10111	P334	G10203	P313	G10229	P150	G10233	P73
G10111	P343	G10203	P328	G10229	P150	G10233	P146



Part No.	Page	Part No.	Page	Part No.	Page	Part No.	Page
G10233	P147	G10312	P34	G10460	P128	G10546	P154
G10233	P150	G10312	P279	G10460	P130	G10551	P4
G10233	P152	G10315	P32	G10460	P138	G10551	P64
G10233	P271	G10322	P265	G10460	P140	G10564	P26
G10233	P277	G10324	P167	G10460	P144	G10567	P18
G10233	P285	G10325	P10	G10460	P160	G10567	P37
G10233	P287	G10325	P32	G10460	P160	G10567	P80
G10235	P98	G10325	P108	G10460	P161	G10570	P37
G10235	P146	G10325	P116	G10460	P281	G10574	P40
G10235	P150	G10325	P118	G10460	P297	G10574	P43
G10235	P200	G10326	P19	G10460	P343	G10577X	P66
G10235	P202	G10328	P112	G10463	P64	G10583	P149
G10237	P265	G10328	P114	G10468	P129	G10583	P182
G10243	P34	G10328	P176	G10475	P30	G10585	P130
G10243	P104	G10329	P140	G10485	P293	G10587	P281
G10243	P219	G10330	P141	G10485	P295	G10588	P281
G10243	P224	G10336	P138	G10485	P333	G10592	P92
G10251	P118	G10338	P12	G10485	P335	G10592	P265
G10252	P230	G10338	P18	G10485	P336	G10594	P265
G10253	P154	G10338	P68	G10492	P226	G10595	P152
G10257	P118	G10338	P120	G10496	P73	G10595	P285
G10257	P154	G10338	P122	G10496	P146	G10595	P287
G10260	P36	G10341	P65	G10496	P154	G10599	P16
G10261	P36	G10345	P146	G10496	P277	G10599	P27
G10278	P299	G10345	P152	G10497	P154	G10599	P66
G10278	P302	G10345	P160	G10499	P263	G10599	P70
G10284	P64	G10345	P285	G10501	P40	G10599	P87
G10303	P74	G10345	P287	G10502X	P1	G10599	P110
G10303	P147	G10348	P40	G10503	P42	G10599	P116
G10303	P150	G10350	P305	G10503	P152	G10599	P126
G10303	P152	G10371	P40	G10503	P263	G10599	P265
G10303	P260	G10374	P154	G10503	P269	G10599	P291
G10303	P281	G10396	P343	G10503	P285	G10602	P18
G10303	P281	G10397	P214	G10503	P287	G10602	P37
G10303	P285	G10397	P285	G10504	P263	G10602	P147
G10303	P287	G10397	P287	G10504X	P62	G10602	P149
G10305	P34	G10403	P161	G10507	P265	G10602	P152
G10305	P263	G10412	P74	G10509	P168	G10602	P276
G10306	P267	G10419	P277	G10527	P134	G10602	P279
G10306	P269	G10436	P130	G10527	P149	G10602	P283
G10306	P301	G10437	P130	G10529	P112	G10602	P283
G10307	P66	G10438	P4	G10529	P114	G10602	P285
G10308	P16	G10441	P141	G10531	P36	G10602	P287
G10308	P24	G10448	P232	G10531	P46	G10603	P269
G10309	P18	G10450	P267	G10531	P260	G10606	P128
G10309	P64	G10451	P26	G10531	P327	G10610	P126
G10309	P130	G10451	P64	G10531M	P72	G10615	P299
G10310	P12	G10451	P263	G10535	P74	G10616	P289
G10310	P32	G10455	P150	G10536	P161	G10619	P293
G10310	P68	G10455	P276	G10542	P263	G10619	P295
G10310	P327	G10457	P126	G10544	P164	G10619	P299
G10312	P4	G10459	P265	G10546	P18	G10620	P4
G10312	P32	G10460	P126	G10546	P37	G10620	P12

Part No.	Page	Part No.	Page	Part No.	Page	Part No.	Page
G10620	P18	G10623	P303	G10676	P84	G10804	P154
G10620	P32	G10624	P315	G10676	P281	G10808	P130
G10620	P34	G10624	P317	G10676	P289	G10809	P126
G10620	P46	G10624	P318	G10676	P303	G10821	P150
G10620	P68	G10626	P289	G10676	P309	G10821	P276
G10620	P70	G10626	P293	G10676	P328	G10826	P343
G10620	P72	G10626	P295	G10676	P329	G10828	P134
G10620	P84	G10626	P299	G10676	P337	G10829	P228
G10620	P86	G10626	P333	G10681	P189	G10830	P269
G10620	P120	G10626	P335	G10681	P210	G10831	P230
G10620	P122	G10626	P343	G10681	P263	G10844	P160
G10620	P140	G10629	P333	G10681	P273	G10844	P164
G10620	P147	G10629	P334	G10681	P302	G10859	P154
G10620	P150	G10630	P289	G10686	P165	G10860	P138
G10620	P152	G10630	P303	G10686	P219	G10860	P149
G10620	P224	G10633	P289	G10686	P223	G10860	P279
G10620	P230	G10636	P130	G10687	P20	G10860	P291
G10620	P271	G10636	P134	G10688	P149	G10862	P265
G10620	P285	G10636	P140	G10689	P132	G10864	P32
G10620	P287	G10636	P141	G10689	P140	G10870	P138
G10620	P341	G10636	P144	G10689	P140	G10870	P149
G10621	P12	G10636	P297	G10693	P301	G10870	P279
G10621	P18	G10638	P327	G10718	P64	G10871	P267
G10621	P24	G10640	P143	G10722	P164	G10880	P100
G10621	P32	G10640	P161	G10725	P164	G10887	P293
G10621	P34	G10640	P161	G10727	P165	G10887	P295
G10621	P38	G10640	P161	G10732	P8	G10887	P299
G10621	P64	G10640	P265	G10732	P64	G10888	P289
G10621	P68	G10640	P267	G10743	P162	G10889	P303
G10621	P70	G10640	P269	G10751	P8	G10890	P147
G10621	P80	G10640	P277	G10751	P64	G10900	P154
G10621	P104	G10640	P281	G10751	P65	G10901	P87
G10621	P118	G10640	P297	G10752	P8	G10901	P293
G10621	P138	G10641	P129	G10752	P18	G10901	P295
G10621	P146	G10641	P264	G10752	P74	G10901	P328
G10621	P166	G10643	P160	G10753	P4	G10901	P333
G10621	P191	G10647	P130	G10753	P68	G10901	P335
G10621	P194	G10655	P281	G10753	P86	G10907	P170
G10621	P214	G10660	P37	G10755	P84	G10907	P170
G10621	P230	G10670	P32	G10756	P343	G10907	P172
G10621	P231	G10670	P34	G10757	P32	G10908	P269
G10621	P232	G10670	P38	G10758	P32	G10913	P143
G10621	P234	G10670	P281	G10758	P118	G10917	P299
G10621	P327	G10670	P291	G10758	P219	G10917	P302
G10621	P327	G10672	P281	G10758	P224	G10918	P80
G10622	P10	G10672	P343	G10765	P42	G10918X	P62
G10622	P24	G10674	P289	G10765	P126	G10921X	P1
G10622	P46	G10674	P289	G10765	P154	G10923	P73
G10622	P72	G10674	P293	G10770	P174	G10923	P150
G10622	P110	G10674	P295	G10770	P174	G10923	P279
G10622	P214	G10674	P299	G10776	P86	G10927	P219
G10622	P226	G10674	P333	G10779	P140	G10927	P224
G10622	P273	G10674	P335	G10779	P167	G10928	P219

Part No.	Page	Part No.	Page	Part No.	Page	Part No.	Page
G10928	P224	G11065	P183	G11107X	P30	G11313	P130
G10931	P118	G11065	P224	G11123	P46	G11314	P130
G10931	P219	G11065	P327	G11123	P104	G11314	P144
G10931	P224	G11066	P157	G11123	P228	G11319	P161
G10938	P263	G11066	P157	G11124	P104	G11320	P161
G10939	P28	G11066	P182	G11124	P228	G11320	P340
G10939	P120	G11067	P182	G11133	P87	G11320	P341
G10939	P122	G11067	P228	G11135	P210	G11328	P112
G10939	P154	G11068	P183	G11135	P308	G11328	P114
G10939	P172	G11068	P259	G11146	P84	G11332X	P30
G10940	P14	G11073	P37	G11147	P84	G11339	P112
G10943	P194	G11075	P146	G11152X	P30	G11339	P114
G10954	P228	G11075	P277	G11153X	P30	G11339	P228
G10955	P140	G11078	P146	G11154X	P30	G11339	P230
G10955	P232	G11078	P277	G11158	P92	G11341	P259
G10960	P46	G11081	P144	G11158	P92	G11360	P110
G10960	P72	G11083	P302	G11158	P96	G11367	P110
G10961	P46	G11091	P8	G11166	P86	G11383	P259
G10961	P72	G11091	P12	G11166	P228	G11385	P26
G10961	P271	G11091	P28	G11170	P132	G11385	P28
G10966	P32	G11091	P86	G11172	P29	G11385	P32
G10968	P73	G11091	P108	G11182	P87	G11385	P37
G10972	P168	G11091	P112	G11182	P116	G11385	P80
G10974	P42	G11091	P114	G11182	P299	G11385	P120
G10977	P182	G11091	P116	G11188	P84	G11385	P122
G10984X	P1	G11091	P120	G11202	P36	G11385	P130
G10985X	P62	G11091	P122	G11202	P228	G11385	P166
G10988	P104	G11091	P130	G11203	P313	G11385	P191
G10990	P176	G11091	P132	G11209	P32	G11385	P210
G10991	P267	G11091	P132	G11213	P231	G11385	P216
G10991	P301	G11091	P134	G11215	P86	G11385	P230
G10992	P157	G11091	P166	G11215	P104	G11385	P232
G10992	P157	G11091	P182	G11220	P6	G11385	P289
G10992	P228	G11091	P190	G11223	P127	G11385	P313
G10995	P302	G11091	P213	G11228	P42	G11385	P327
G10996	P154	G11091	P223	G11230	P130	G11385	P340
G10996	P192	G11091	P230	G11232	P132	G11385	P341
G10996	P216	G11091	P231	G11236	P42	G11386	P14
G10996	P192	G11091	P259	G11237	P299	G11386	P14
G11009	P24	G11091	P289	G11241	P224	G11386	P14
G11009	P30	G11091	P293	G11241	P327	G11386	P14
G11009	P70	G11091	P295	G11242	P313	G11386	P74
G11009	P120	G11091	P308	G11249	P46	G11386	P80
G11009	P122	G11091	P309	G11249	P72	G11386	P86
G11015	P4	G11091	P335	G11249	P116	G11386	P116
G11018	P6	G11091	P340	G11254	P141	G11386	P158
G11018	P82	G11091	P343	G11261	P116	G11386	P158
G11034	P269	G11100	P146	G11281	P30	G11386	P165
G11042X	P30	G11100	P150	G11284	P118	G11386	P213
G11046X	P30	G11100	P277	G11288	P219	G11386	P230
G11047X	P30	G11105X	P30	G11288	P224	G11386	P263
G11048X	P30	G11106	P234	G11289	P299	G11386	P263
G11065	P118	G11106X	P30	G11303	P108	G11386	P267

# Numerical Index

M0312-02

Model 3605

Part No.	Page	Part No.	Page	Part No.	Page	Part No.	Page
G11386	P281	G11387	P265	G11391	P8	G11400	P161
G11386	P281	G11387	P267	G11391	P16	G11401	P118
G11386	P281	G11387	P269	G11391	P26	G11409	P104
G11386	P299	G11387	P276	G11391	P74	G11409	P104
G11386	P341	G11387	P277	G11391	P82	G11409	P166
G11387	P4	G11387	P289	G11391	P108	G11409	P228
G11387	P4	G11387	P291	G11391	P110	G11415	P329
G11387	P16	G11387	P301	G11391	P126	G11418	P164
G11387	P16	G11387	P310	G11391	P126	G11418	P228
G11387	P18	G11387	P340	G11391	P126	G11419	P16
G11387	P19	G11389	P6	G11391	P127	G11436	P265
G11387	P20	G11389	P26	G11391	P132	G11445	P36
G11387	P27	G11389	P42	G11391	P134	G11447	P36
G11387	P32	G11389	P64	G11391	P134	G11448	P30
G11387	P65	G11389	P70	G11391	P152	G11453	P150
G11387	P65	G11389	P74	G11391	P160	G11453	P277
G11387	P66	G11389	P74	G11391	P160	G11457	P328
G11387	P68	G11389	P80	G11391	P161	G11458	P313
G11387	P73	G11389	P82	G11391	P162	G11458	P331
G11387	P84	G11389	P87	G11391	P164	G11460	P315
G11387	P86	G11389	P92	G11391	P226	G11460	P317
G11387	P87	G11389	P92	G11391	P228	G11460	P318
G11387	P92	G11389	P110	G11391	P264	G11467	P313
G11387	P92	G11389	P126	G11391	P265	G11467	P331
G11387	P96	G11389	P126	G11391	P267	G11468	P310
G11387	P98	G11389	P126	G11391	P269	G11468	P311
G11387	P100	G11389	P130	G11391	P271	G11468	P328
G11387	P104	G11389	P130	G11391	P285	G11468	P329
G11387	P108	G11389	P134	G11391	P287	G11468	P337
G11387	P110	G11389	P138	G11391	P291	G11494	P328
G11387	P116	G11389	P140	G11391	P295	G11494	P337
G11387	P122	G11389	P147	G11391	P297	G11497	P311
G11387	P129	G11389	P152	G11391	P303	G11497	P329
G11387	P129	G11389	P162	G11391	P308	G11497	P337
G11387	P132	G11389	P210	G11391	P343	G11508	P328
G11387	P135	G11389	P212	G11391	P343	G11508	P337
G11387	P146	G11389	P214	G11392	P42	G11514	P8
G11387	P146	G11389	P263	G11392	P86	G11514	P64
G11387	P150	G11389	P265	G11392	P116	G11514	P65
G11387	P154	G11389	P267	G11392	P125	G11518	P104
G11387	P160	G11389	P267	G11392	P140	G11522	P116
G11387	P166	G11389	P277	G11392	P142	G11528	P116
G11387	P180	G11389	P279	G11392	P144	G11528	P228
G11387	P190	G11389	P285	G11392	P291	G11539	P70
G11387	P210	G11389	P287	G11393	P232	G11539	P116
G11387	P213	G11389	P289	G11394	P130	G11554	P315
G11387	P214	G11389	P291	G11396	P140	G11554	P317
G11387	P226	G11389	P297	G11396	P144	G11554	P318
G11387	P230	G11389	P333	G11396	P297	G11555	P279
G11387	P231	G11389	P334	G11396	P343	G11556	P30
G11387	P259	G11389	P343	G11400	P144	G11556	P214
G11387	P263	G11390	P279	G11400	P161	G11556	P214
G11387	P265	G11391	P6	G11400	P161	G11574	P313

# Numerical Index

Model 3605

M0312-02

Part No.	Page	Part No.	Page	Part No.	Page	Part No.	Page
G11575	P313	G10019302	P114	G10098301	P96	G10194501	P100
G11578	P30	G10019303	P112	G10098401	P92	G10201101	P216
G11583	P313	G10019401	P186	G10098401	P96	G10207201	P98
G11583	P331	G10020601	P232	G10112901	P226	G10207201	P100
G11588	P228	G10023601	P104	G10112902	P228	G10211501	P98
G11591	P4	G10028601	P14	G10114001	P228	G10211501	P100
G11592	P4	G10028701	P14	G10116601	P24	G10213501	P244
G11616	P259	G10028801	P14	G10117601	P84	G10213502	P244
G11618	P29	G10037301	P10	G10117801	P86	G10213601	P46
G11619	P29	G10038601	P4	G10122301	P4	G10213601	P72
G11619	P30	G10038601	P64	G10122301	P64	G10213601	P244
G11687	P36	G10049501	P92	G10123401	P196	G10213601	P246
G11693	P30	G10049501	P96	G10129501	P116	G10213602	P46
G11698	P313	G10049501	P236	G10132501	P116	G10213602	P72
G11704	P87	G10049501	P240	G10146001	P24	G10213602	P244
G11742	P165	G10049501	P244	G10147301	P355	G10213602	P246
G11793	P37	G10049501	P246	G10150201	P236	G10216901	P92
G11862	P16	G10049501	P258	G10150201	P240	G10216901	P96
G11875	P26	G10049501	P261	G10150201	P244	G10217601	P240
G11929	P46	G10053801	P188	G10150201	P246	G10217601	P246
G11929	P70	G10057501	P116	G10150301	P236	G10225101	P86
G11929	P72	G10060901	P236	G10150301	P240	G10229201	P108
G11958	P24	G10060901	P240	G10150301	P244	G10230101	P72
G11958	P260	G10060901	P244	G10150301	P246	G10231701	P166
G11970	P340	G10060901	P246	G10163001	P126	G10231801	P166
G11975	P129	G10060901	P258	G10164901	P230	G10234201	P87
G11976	P8	G10060902	P236	G10169501	P227	G10242601	P118
G11976	P64	G10060902	P240	G10169601	P186	G10242801	P118
G11976	P65	G10060902	P244	G10169701	P188	G10242801	P236
G11998	P34	G10060902	P246	G10170701	P195	G10242801	P240
G12002-35	P101	G10068001	P355	G10170701	P196	G10242801	P244
G12002-35	P319	G10069801	P232	G10171901	P236	G10242801	P246
G12002-60	P101	G10072201	P232	G10171901	P240	G10243001	P234
G12003-20	P311	G10075801	P194	G10171901	P244	G10243101	P236
G12003-20	P313	G10079201	P230	G10171901	P246	G10243101	P240
G12015	P101	G10083301	P86	G10174801	P84	G10244501	P86
G12039	P101	G10087001	P98	G10174901	P84	G10246001	P112
G12081	P311	G10087001	P100	G10175001	P84	G10246001	P114
G12081	P313	G10087101	P232	G10175101	P84	G10246301	P112
G12083	P313	G10087201	P232	G10175801	P84	G10246301	P114
G12103	P220	G10088301	P46	G10175901	P84	G10246501	P108
G12212-08	P220	G10088301	P72	G10176901	P46	G10252301	P214
G12222-35	P319	G10090401	P10	G10176901	P72	G10254701	P225
G1007301	P112	G10090801	P130	G10176901	P313	G10254801	P225
G10002701	P118	G10090901	P130	G10180301	P122	G10254901	P225
G10010901	P64	G10091001	P130	G10184801	P80	G10258402	P4
G10011001	P64	G10091101	P130	G10184901	P80	G10258501	P64
G10011101	P8	G10091201	P130	G10188701	P86	G10259801	P236
G10011201	P8	G10091301	P130	G10188801	P86	G10259801	P244
G10017201	P112	G10091901	P130	G10190001	P191	G10265001	P118
G10017201	P114	G10098201	P98	G10190401	P108	G10266901	P118
G10017301	P114	G10098201	P100	G10191301	P187	G10267101	P118
G10018801	P10	G10098301	P92	G10194501	P98	G10267401	P72

# Numerical Index

M0312-02

Model 3605

Part No.	Page	Part No.	Page	Part No.	Page	Part No.	Page
G10267501	P46	G10331001	P98	G10395901	P98	G10510201	P308
G10267601	P46	G10331001	P100	G10395901	P100	G10510201	P310
G10267601	P72	G10334701	P14	G10396901	P92	G10513001	P321
G10268301	P285	G10334801	P14	G10396901	P96	G10513101	P321
G10268301	P287	G10334901	P14	G10398301	P311	G10514101	P319
G10268401	P226	G10335001	P14	G10398701	P313	G10515001	P236
G10269201	P236	G10335101	P14	G10398701	P323	G10515101	P315
G10269201	P240	G10335201	P14	G10398801	P322	G10515101	P317
G10269201	P244	G10337301	P92	G10399301	P319	G10515101	P318
G10269201	P246	G10337601	P92	G10399301	P321	G10522501	P306
G10269201	P259	G10338901	P236	G10402701	P4	G10522501	P324
G10269501	P185	G10338901	P244	G10402801	P230	G10532101	P319
G10285701	P92	G10341001	P87	G10403501	P166	G10542203	P212
G10286101	P236	G10341101	P87	G10403801	P166	G10542204	P212
G10286102	P118	G10342401	P240	G10406601	P311	G10556101	P319
G10286102	P240	G10342401	P244	G10406701	P310	G10556201	P319
G10286102	P244	G10342401	P246	G10406701	P311	G10567801	P92
G10286102	P246	G10349401	P187	G10406701	P328	G10567801	P96
G10288501	P92	G10357401	P261	G10406701	P329	G10568101	P185
G10288501	P96	G10358301	P240	G10406701	P337	G10568101	P210
G10291001	P80	G10358301	P246	G10406801	P313	G10580101	P313
G10292201	P162	G10358601	P213	G10406801	P331	G10584701	P227
G10293301	P231	G10364801	P86	G10418802	P46	G10600701	P228
G10299101	P236	G10365501	P351	G10418802	P72	G10605101	P144
G10299101	P244	G10367101	P347	G10425201	P310	G10608701	P306
G10299201	P240	G10367201	P354	G10428101	P116	G10608701	P315
G10299201	P246	G10367701	P350	G10434301	P319	G10608701	P318
G10301301	P114	G10371001	P260	G10434301	P321	G10609002	P313
G10302401	P46	G10371401	P98	G10437701	P86	G10609019	P339
G10302501	P116	G10371601	P98	G10437901	P310	G10609020	P339
G10302502	P116	G10371801	P354	G10437901	P311	G10610201	P328
G10306201	P186	G10371901	P349	G10444801	P333	G10611001	P319
G10306701	P287	G10374301	P259	G10444801	P334	G10612801	P329
G10306801	P285	G10375003	P259	G10464101	P310	G10614301	P30
G10306801	P287	G10375101	P259	G10464101	P328	G10616501	P338
G10307401	P285	G10375201	P259	G10464101	P329	G10616601	P338
G10307901	P86	G10375401	P72	G10464101	P337	G10616701	P338
G10315001	P285	G10375501	P72	G10466101	P313	G10616801	P338
G10315001	P287	G10375601	P259	G10473901	P328	G10617801	P46
G10316301	P214	G10380001	P236	G10473901	P329	G10617901	P72
G10316301	P236	G10380001	P240	G10474501	P310	G10618301	P313
G10316301	P240	G10380001	P244	G10474701	P310	G10629601	P116
G10316301	P244	G10380001	P246	G10475701	P218	G10629701	P313
G10316301	P246	G10383201	P165	G10475701	P224	G10629801	P313
G10317801	P303	G10383301	P354	G10483101	P30	G10629901	P313
G10318901	P227	G10393101	P236	G10483101	P30	G10630001	P116
G10320601	P72	G10393101	P240	G10483201	P30	G10630101	P295
G10322501	P14	G10393101	P244	G10483401	P30	G10630101	P335
G10327301	P259	G10393101	P246	G10488901	P118	G10630101	P336
G10327601	P259	G10395301	P98	G10489201	P116	G10631901	P323
G10327701	P259	G10395301	P100	G10496401	P313	G10632101	P313
G10329601	P213	G10395401	P100	G10500901	P4	G10636801	P313
G10329801	P18	G10395801	P98	G10500901	P64	G10640401	P329

Part No.	Page	Part No.	Page	Part No.	Page	Part No.	Page
G10641801	P333	G10740501	P340	G10832301	P326	G10864901	P240
G10641901	P333	G10741301	P313	G10832401	P326	G10864901	P253
G10642901	P333	G10745401	P218	G10832701	P326	G10864901	P255
G10643001	P328	G10745401	P224	G10833001	P315	G10865001	P317
G10649801	P92	G10764001	P319	G10833001	P317	G10865001	P318
G10649801	P96	G10764001	P321	G10833001	P318	G10865101	P317
G10649801	P258	G10764101	P319	G10833101	P326	G10865101	P318
G10649801	P261	G10764101	P321	G10835201	P249	G10865601	P315
G10663901	P313	G10771701	P339	G10835201	P250	G10865601	P318
G10664901	P30	G10771801	P339	G10835201	P251	G10865701	P315
G10665001	P30	G10771901	P313	G10835201	P252	G10865701	P318
G10665101	P30	G10772302	P325	G10840302	P253	G10884801	P236
G10666701	P334	G10772501	P326	G10840302	P254	G10884801	P240
G10678401	P310	G10772601	P325	G10840302	P255	G10884801	P253
G10681801	P313	G10773001	P325	G10840302	P256	G10884801	P255
G10682001	P311	G10773101	P324	G10840303	P253	G10887501	P355
G10685001	P333	G10773301	P315	G10840303	P254	G10887601	P236
G10685101	P335	G10773301	P317	G10840303	P255	G10887601	P244
G10685101	P336	G10773301	P318	G10840303	P256	G10887601	P246
G10685701	P308	G10773801	P315	G10840305	P253	G10887701	P240
G10691801	P340	G10773801	P317	G10840305	P254	G10912601	P214
G10694601	P125	G10773801	P318	G10840305	P255	G10922201	P319
G10695701	P260	G10804001	P306	G10840305	P256	G10926001	P341
G10698001	P236	G10804002	P306	G10840901	P326	G10928301	P141
G10698001	P240	G10804003	P306	G10846301	P319	G10928301	P143
G10698001	P244	G10804004	P306	G10851101	P134	G10936101	P30
G10698001	P246	G10812401	P306	G10851201	P236	G10943101	P324
G10707401	P334	G10814401	P319	G10851201	P240	G10944501	P273
G10708101	P334	G10817601	P319	G10851201	P244	G10963001	P326
G10709801	P250	G10817701	P313	G10851201	P246	G10974401	P323
G10709801	P252	G10820001	P327	G10856502	P293	G10974501	P323
G10709901	P249	G10820002	P327	G10856602	P295	G10974601	P323
G10709901	P250	G10820003	P327	G10864001	P244	G10974701	P323
G10709901	P252	G10820004	P327	G10864001	P246	G10974801	P322
G10709902	P250	G10820005	P327	G10864001	P254	G10974901	P322
G10709902	P251	G10820006	P327	G10864001	P256	G10975001	P322
G10709902	P252	G10820007	P327	G10864101	P244	G10975101	P322
G10710001	P249	G10820008	P327	G10864101	P246	G10975201	P322
G10710001	P251	G10820009	P327	G10864101	P254	G10975301	P323
G10710002	P249	G10820010	P327	G10864101	P256	G10975401	P323
G10710002	P251	G10820011	P327	G10864201	P244	G10975501	P323
G10710101	P249	G10820012	P327	G10864201	P246	G10975601	P321
G10710101	P251	G10820013	P327	G10864201	P254	G10975701	P321
G10713301	P249	G10829101	P309	G10864201	P256	G10975801	P321
G10724901	P92	G10829101	P315	G10864401	P253	G10975901	P321
G10724901	P96	G10829101	P317	G10864401	P254	G10976001	P321
G10724901	P258	G10829101	P318	G10864401	P255	G10976101	P321
G10724901	P261	G10829101	P328	G10864401	P256	G10976201	P321
G10737701	P92	G10829101	P329	G10864801	P236	G10976301	P321
G10737701	P96	G10829101	P331	G10864801	P240	G10976401	P321
G10737701	P261	G10829101	P333	G10864801	P253	G10976501	P321
G10740201	P340	G10829101	P334	G10864801	P255	G10976601	P321
G10740301	P340	G10829101	P337	G10864901	P236	G10976701	P321

# Numerical Index

M0312-02

Model 3605

Part No.	Page	Part No.	Page	Part No.	Page	Part No.	Page
G10976801	P321	GA2180	P150	GA5113	P148	GA6833	P40
G10976901	P321	GA2528	P216	GA5113	P149	GA6834	P40
G10977001	P321	GA2612	P216	GA5113	P152	GA6838	P40
G10977101	P321	GA2660	P303	GA5114	P149	GA6907	P32
G10977201	P321	GA3407	P183	GA5114	P276	GA6943	P134
G10977301	P321	GA3413	P182	GA5114	P277	GA6960	P343
G10977401	P321	GA3584	P132	GA5114	P285	GA6961	P343
G10983101	P30	GA3584	P134	GA5115	P276	GA6964	P140
G10983201	P30	GA3584	P182	GA5116	P277	GA6966	P267
G10983301	P30	GA3584	P215	GA5116	P279	GA6975	P216
G10984101	P101	GA3893	P299	GA5121	P134	GA6977	P216
G10984201	P101	GA4286	P264	GA5121	P138	GA6978	P216
G10984701	P101	GA4287	P264	GA5121	P140	GA7016	P126
G10984901	P101	GA4293	P182	GA5164	P146	GA7018	P128
G10985101	P101	GA4293	P189	GA5164	P152	GA7019	P128
G10985201	P101	GA4293	P190	GA5194	P152	GA7022	P126
G10985301	P101	GA4293	P191	GA5194	P285	GA7022	P130
G10985401	P101	GA4376	P144	GA5194	P287	GA7023	P132
G10985501	P101	GA4444	P34	GA5229	P276	GA7039	P134
G10986701	P327	GA4444	P38	GA5385	P215	GA7077	P216
G10986801	P327	GA4722	P143	GA5548	P150	GA7096	P140
G10986901	P327	GA4723	P143	GA5600	P218	GA7098	P130
G10987001	P327	GA4729	P143	GA5600	P224	GA7110	P154
G10987201	P327	GA4736	P141	GA5624	P276	GA7111	P152
G10991001	P327	GA4736	P143	GA5654	P40	GA7111	P154
G10992701	P273	GA4842	P126	GA5654	P42	GA7133	P293
G11007101	P324	GA4843	P126	GA5654	P269	GA7137	P154
G106855501	P340	GA4976	P293	GA5667	P281	GA7146	P76
GA0167	P164	GA4976	P295	GA5671	P277	GA7146	P78
GA0237	P264	GA4976	P299	GA5672	P277	GA7154	P74
GA0241	P297	GA4976	P343	GA5842	P126	GA7154	P147
GA0245	P164	GA4995	P125	GA5853	P164	GA7154	P152
GA0257	P164	GA5105	P148	GA5887	P264	GA7154	P152
GA0262	P291	GA5105	P148	GA6108	P216	GA7154	P279
GA0312	P263	GA5105	P149	GA6109	P215	GA7154	P285
GA0328	P263	GA5105	P276	GA6147	P219	GA7154	P287
GA0547	P297	GA5106	P148	GA6147	P224	GA7221	P168
GA0810	P263	GA5106	P149	GA6171	P14	GA7239	P265
GA0898	P281	GA5107	P74	GA6171	P16	GA7240	P265
GA1369	P263	GA5107	P148	GA6171	P16	GA7313	P148
GA1720	P8	GA5107	P149	GA6171	P16	GA7336	P150
GA1720	P12	GA5107	P276	GA6171	P271	GA7336	P276
GA1720	P68	GA5108	P149	GA6337	P276	GA7372	P147
GA2007	P18	GA5109	P148	GA6434	P16	GA7390	P134
GA2007	P64	GA5109	P149	GA6497	P134	GA7396	P277
GA2012L	P10	GA5109	P279	GA6503	P281	GA7424	P129
GA2012R	P10	GA5110	P148	GA6527	P302	GA7433	P126
GA2014	P40	GA5110	P149	GA6597	P16	GA7434	P143
GA2014	P42	GA5111	P148	GA6608	P130	GA7434	P144
GA2014	P263	GA5111	P149	GA6608	P200	GA7445	P269
GA2014	P269	GA5112	P148	GA6608	P202	GA7446	P269
GA2068	P146	GA5112	P149	GA6741	P32	GA7579	P134
GA2180	P73	GA5113	P148	GA6832	P40	GA7845	P303



Part No.	Page	Part No.	Page	Part No.	Page	Part No.	Page
GA7852	P218	GA9105	P64	GA10977	P148	GA12626	P158
GA7852	P224	GA9144	P218	GA10977	P150	GA12641	P224
GA7853	P218	GA9145	P160	GA11079	P127	GA12641	P327
GA7853	P222	GA9195	P263	GA11331	P279	GA12677	P65
GA7854	P218	GA9202	P215	GA11397	P267	GA12812	P86
GA7855	P218	GA9204	P215	GA11398	P267	GA12812	P156
GA7857	P218	GA9205	P130	GA11528	P92	GA12813	P156
GA7859	P218	GA9205	P174	GA11528	P96	GA12852	P220
GA7859	P224	GA9407	P302	GA11736	P216	GA12853	P220
GA7863	P216	GA9407	P305	GA11913	P134	GA12858	P156
GA7998	P269	GA9433	P267	GA11934	P189	GA12868	P220
GA7999	P269	GA9434	P267	GA11971	P64	GA13114	P160
GA8046	P219	GA9437	P267	GA11971	P82	GA13169	P158
GA8046	P224	GA9472	P271	GA11982	P6	GA13340	P162
GA8047	P216	GA9480	P154	GA11982	P82	GA13487	P161
GA8047	P219	GA9481	P216	GA11988	P158	GA13512	P158
GA8047	P224	GA9482	P154	GA11991	P158	GA13521	P219
GA8050	P224	GA9546	P120	GA11992	P158	GA13551	P224
GA8092	P74	GA9557	P152	GA11997	P158	GA13562	P220
GA8092	P150	GA9557	P285	GA12104	P158	GA13572	P220
GA8135	P219	GA9558	P152	GA12143	P18	GA13632	P333
GA8326	P37	GA9558	P285	GA12163	P127	GA13665	P127
GA8328	P156	GA9558	P287	GA12164	P127	GA13667	P86
GA8329	P156	GA9559	P126	GA12191	P148	GA13673	P127
GA8364	P37	GA9559	P174	GA12191	P148	GA13719	P160
GA8366	P37	GA9819	P263	GA12191	P149	GA13719	P164
GA8371	P34	GA9819	P267	GA12192	P146	GA13741	P182
GA8371	P38	GA9820	P263	GA12192	P148	GA13764	P160
GA8393	P154	GA9820	P267	GA12192	P277	GA13768	P126
GA8483	P263	GA9837	P125	GA12192	P285	GA13783	P127
GA8603	P43	GA9843	P146	GA12192	P287	GA13790	P138
GA8603	P267	GA9843	P287	GA12235	P42	GA13790	P146
GA8641	P43	GA9846	P147	GA12236	P40	GA13934	P134
GA8645	P64	GA9964	P86	GA12236	P42	GA13935	P176
GA8651	P65	GA9964	P156	GA12335	P299	GA13939	P176
GA8685	P263	GA9964	P156	GA12335	P301	GA13944	P156
GA8688	P265	GA9978	P219	GA12358	P158	GA13986	P125
GA8689	P265	GA9978	P224	GA12403	P118	GA13994	P160
GA8731	P216	GA9979	P219	GA12403	P218	GA14040	P116
GA8734	P216	GA9979	P224	GA12537	P222	GA14041	P110
GA8735	P216	GA10036	P271	GA12538	P224	GA14041	P116
GA8760	P42	GA10037	P271	GA12539	P220	GA14052	P110
GA8845	P263	GA10047	P267	GA12540	P222	GA14052	P116
GA8859	P176	GA10048	P267	GA12557	P222	GA14111	P289
GA8904	P140	GA10054	P154	GA12558	P222	GA14112	P293
GA8904	P168	GA10151	P68	GA12559	P222	GA14112	P295
GA8931	P302	GA10157	P4	GA12563	P224	GA14127	P157
GA8931	P305	GA10765	P104	GA12564	P222	GA14135	P118
GA8979	P176	GA10799	P86	GA12566	P222	GA14152	P92
GA9088	P162	GA10799	P104	GA12567	P222	GA14152	P96
GA9096	P215	GA10832	P148	GA12568	P222	GA14349	P144
GA9097	P182	GA10832	P149	GA12596	P222	GA14361	P161
GA9098	P183	GA10918	P100	GA12598	P222	GA14372	P108

## Numerical Index

M0312-02

Model 3605

Part No.	Page	Part No.	Page	Part No.	Page	Part No.	Page
GA14373	P108	GA16375	P222	GA18385	P283	GA20902	P218
GA14402	P162	GA16376	P222	GA18404	P282	GA20902	P224
GA14412	P144	GA16381	P222	GA18405	P282	GA20910	P190
GA14413	P144	GA16382	P222	GA18486	P213	GA20914	P24
GA14448	P220	GA16383	P222	GA18486	P215	GA20914	P70
GA14449	P220	GA16392	P156	GA18576	P273	GA21030	P160
GA14450	P222	GA16392	P236	GA18613	P279	GA21030	P167
GA14452	P222	GA16392	P240	GA18614	P279	GA21067	P194
GA14478	P177	GA16393	P222	GA18720	P310	GA21114	P173
GA14481	P177	GA16428	P293	GA18720	P333	GA21115	P128
GA14489	P184	GA16428	P295	GA18720	P334	GA21115	P173
GA14516	P143	GA16826	P222	GA18904	P108	GA21143	P234
GA14519	P132	GA16829	P222	GA18905	P110	GA21309	P28
GA14520	P343	GA16831	P222	GA18948	P108	GA21309	P120
GA14571	P213	GA16923	P224	GA18958	P161	GA21309	P122
GA14574	P104	GA17080	P108	GA18959	P160	GA21406	P86
GA14593	P105	GA17118	P306	GA18960	P132	GA21406	P104
GA14600	P140	GA17119	P306	GA18961	P132	GA21450	P70
GA14804	P158	GA17542	P222	GA18977	P176	GA21456	P313
GA14804	P313	GA17543	P222	GA19160	P306	GA21515	P4
GA14805	P104	GA17544	P222	GA19161	P306	GA21589	P169
GA14805	P104	GA17547	P156	GA19162	P306	GA21590	P169
GA14810	P306	GA17547	P216	GA19163	P306	GA21591	P170
GA14810	P306	GA17547	P218	GA19164	P306	GA21592	P170
GA14813	P313	GA17547	P236	GA19165	P306	GA21614	P313
GA14822	P112	GA17547	P240	GA19166	P306	GA21676	P14
GA14823	P114	GA17595	P8	GA19167	P306	GA21677	P14
GA14846	P156	GA17596	P8	GA20111	P30	GA21687	P230
GA14847	P86	GA17975	P147	GA20252	P210	GA21687	P231
GA14943	P126	GA17975	P279	GA20269	P190	GA21771	P134
GA15151	P164	GA18195	P36	GA20269	P196	GA21771	P172
GA15197	P16	GA18275	P74	GA20270	P194	GA21813	P172
GA15197	P27	GA18275	P150	GA20271	P194	GA22199	P282
GA15415	P265	GA18276	P73	GA20272	P190	GA22200	P282
GA15416	P265	GA18276	P150	GA20272	P194	GA22273	P157
GA15473	P36	GA18281	P134	GA20622	P30	GA22322	P148
GA15485	P24	GA18282	P161	GA20640	P12	GA22522	P34
GA15485	P46	GA18283	P160	GA20640	P18	GA22547	P236
GA15485	P70	GA18287	P176	GA20640	P120	GA22547	P240
GA15485	P72	GA18296	P132	GA20640	P122	GA22547	P244
GA15499	P198	GA18297	P132	GA20687	P140	GA22547	P246
GA15499	P200	GA18304	P65	GA20710	P36	GA22554-20	P259
GA15499	P202	GA18311	P271	GA20711	P236	GA22554-36	P259
GA15499	P203	GA18316	P140	GA20711	P240	GA22554-120	P259
GA16082	P218	GA18318	P140	GA20712	P34	GA22554-265	P247
GA16145	P343	GA18353	P166	GA20712	P236	GA22554-265	P248
GA16157	P293	GA18372	P282	GA20712	P240	GA22554-375	P247
GA16157	P295	GA18373	P282	GA20732	P306	GA22554-375	P248
GA16340	P216	GA18374	P282	GA20732	P324	GA22554-424	P248
GA16351	P222	GA18375	P282	GA20733	P306	GA22554-533	P247
GA16374	P12	GA18380	P277	GA20765	P156	GA22555-20	P247
GA16374	P68	GA18381	P277	GA20772	P169	GA22555-20	P247
GA16374	P222	GA18382	P279	GA20773	P169	GA22555-20	P248

# Numerical Index

Model 3605

M0312-02

Part No.	Page	Part No.	Page	Part No.	Page	Part No.	Page
GA22555-20	P248	GA25031	P236	GA25857	P210	GA26958	P16
GA22555-184	P247	GA25031	P240	GA25905	P214	GA26989	P30
GA22555-184	P248	GA25031	P244	GA25949	P24	GA27032	P141
GA22555-228	P247	GA25031	P246	GA25949	P46	GA27032	P143
GA22555-228	P248	GA25038	P24	GA25949	P70	GA27038	P42
GA22556-91	P247	GA25039	P70	GA25949	P72	GA27112	P226
GA22556-91	P248	GA25084	P70	GA25949	P230	GA27144	P195
GA22556-115	P247	GA25170	P216	GA25949	P260	GA27144	P196
GA22556-115	P248	GA25170	P236	GA25950	P230	GA27146	P4
GA22556-134	P247	GA25170	P236	GA25982	P210	GA27156	P112
GA22556-134	P248	GA25170	P240	GA26005	P210	GA27156	P114
GA22556-150	P247	GA25170	P240	GA26075	P146	GA27157	P112
GA22556-150	P248	GA25170	P244	GA26075	P148	GA27157	P114
GA22793	P158	GA25170	P246	GA26104	P112	GA27158	P112
GA22793	P158	GA25207	P216	GA26104	P114	GA27159	P112
GA24231	P134	GA25207	P244	GA26287	P34	GA27160	P114
GA24239	P43	GA25207	P246	GA26287	P38	GA27163	P114
GA24281	P234	GA25240	P80	GA26297	P64	GB0115	P37
GA24284	P234	GA25257	P26	GA26330	P36	GB0116	P37
GA24285	P234	GA25258	P26	GA26331	P34	GB0134	P263
GA24330	P297	GA25261	P26	GA26673	P227	GB0186	P8
GA24331	P297	GA25261	P80	GA26709	P76	GB0196	P297
GA24332	P297	GA25261	P178	GA26709	P78	GB0198	P281
GA24333	P297	GA25265	P80	GA26709	P236	GB0199	P281
GA24334	P291	GA25286	P204	GA26709	P240	GB0200	P281
GA24338	P289	GA25286	P204	GA26713	P236	GB0205	P264
GA24364	P36	GA25291	P142	GA26713	P240	GB0206	P265
GA24371	P74	GA25292	P142	GA26713	P244	GB0206	P343
GA24372	P74	GA25293	P142	GA26713	P246	GB0209	P265
GA24449	P165	GA25304	P28	GA26744	P230	GB0210	P265
GA24488-27	P247	GA25304	P120	GA26751	P216	GB0213	P343
GA24488-27	P248	GA25304	P122	GA26751	P236	GB0218	P126
GA24543	P87	GA25384	P80	GA26751	P240	GB0218	P132
GA24649	P220	GA25388	P104	GA26839	P227	GB0218	P160
GA24652	P222	GA25389	P210	GA26920	P10	GB0218	P162
GA24676	P30	GA25390	P210	GA26924-01	P353	GB0218	P264
GA24752	P30	GA25399-36	P234	GA26924-02	P353	GB0218	P297
GA24754	P161	GA25399-36	P247	GA26924-03	P353	GB0218	P343
GA24825	P144	GA25399-36	P248	GA26924-04	P353	GB0239	P16
GA24826	P144	GA25401	P26	GA26924-05	P90	GB0246	P130
GA24828	P144	GA25403	P210	GA26924-05	P353	GB0254	P16
GA24873	P22	GA25404	P210	GA26924-06	P90	GB0265	P4
GA24877	P30	GA25437	P234	GA26924-06	P353	GB0266	P4
GA24878	P30	GA25550	P30	GA26924-07	P124	GB0267	P4
*GA24887	P222	GA25714	P236	GA26924-08	P124	GB0268	P16
GA25029	P24	GA25714	P240	GA26924-08	P353	GB0274	P4
GA25029	P70	GA25760	P126	GA26924-09	P206	GB0276	P14
GA25029	P236	GA25763	P126	GA26924-09	P353	GB0278	P18
GA25029	P240	GA25774	P214	GA26924-10	P206	GB0278	P37
GA25030	P236	GA25775	P214	GA26924-10	P353	GB0282	P16
GA25030	P240	GA25776	P214	GA26924-11	P353	GB0285	P4
GA25030	P244	GA25776	P214	GA26924-12	P212	GB0287	P149
GA25030	P246	GA25857	P210	GA26924-13	P212	GB0296	P267

# Numerical Index

M0312-02

Model 3605

Part No.	Page	Part No.	Page	Part No.	Page	Part No.	Page
GB0314	P8	GB0676	P30	GB1224	P8	GD1085	P16
GB0314	P64	GB0697	P29	GB1224	P8	GD1104	P265
GB0315	P343	GB0717	P28	GB1224	P64	GD1109	P16
GB0322	P267	GB0717	P120	GB1224	P64	GD1113	P8
GB0323	P267	GB0717	P122	GB1249	P84	GD1113	P64
GB0331	P12	GB0780	P29	GB1313	P84	GD1113	P65
GB0331	P18	GB0815	P29	GB1313	P120	GD1113	P82
GB0331	P68	GB0818	P30	GB1313	P122	GD1113	P108
GB0331	P120	GB0823	P29	GD0453-02	P160	GD1113	P226
GB0331	P122	GB0867	P134	GD0453-03	P160	GD1113	P263
GB0366	P8	GB0901	P28	GD0453-05	P160	GD1113	P265
GB0383	P42	GB0901	P120	GD0453-07	P160	GD1113	P267
GB0387	P40	GB0901	P122	GD0487	P263	GD1113	P295
GB0387	P42	GB0905	P116	GD0746	P164	GD1113	P302
GB0389	P80	GB0907	P30	GD0826	P126	GD1113	P303
GB0389	P82	GB0920	P30	GD0826	P128	GD1113	P308
GB0390	P82	GB0921	P30	GD0826	P130	GD1113	P333
GB0391	P82	GB0926	P24	GD0829	P92	GD1113	P335
GB0392	P82	GB0926	P30	GD0829	P96	GD1113	P336
GB0393	P6	GB0926	P70	GD0829	P134	GD1132	P40
GB0395	P6	GB0926	P120	GD0840	P164	GD1132	P42
GB0396	P6	GB0926	P122	GD0844	P297	GD1132	P263
GB0397	P6	GB0958	P30	GD0914-12.5	P74	GD1132	P269
GB0397	P82	GB0968	P66	GD0914-25	P73	GD1134	P277
GB0400	P267	GB0968	P68	GD0914-60	P73	GD1134	P281
GB0405	P267	GB1090	P218	GD0914-60	P150	GD1138	P263
GB0409	P134	GB1090	P218	GD0914-71	P150	GD1162	P351
GB0425	P105	GB1090	P218	GD0914-71	P150	GD1166	P297
GB0425	P106	GB1090	P222	GD0914-90	P73	GD1200	P281
GB0428	P28	GB1090	P224	GD0914-99	P73	GD1207	P281
GB0428	P120	GB1147	P29	GD0914-100	P73	GD1209	P281
GB0428	P122	GB1190	P21	GD0914-126.25	P150	GD1210	P281
GB0429	P105	GB1195	P112	GD0962	P263	GD1213	P281
GB0429	P106	GB1195	P114	GD1026	P19	GD1213	P281
GB0430	P112	GB1196	P112	GD1026	P20	GD1379	P281
GB0430	P114	GB1196	P114	GD1026	P32	GD1380	P281
GB0430	P120	GB1197	P112	GD1026	P66	GD1512	P234
GB0430	P122	GB1197	P114	GD1026	P68	GD1512	P351
GB0431	P112	GB1198	P114	GD1026	P146	GD1514	P343
GB0431	P114	GB1199	P112	GD1026	P150	GD1515	P343
GB0444	P112	GB1200	P114	GD1026	P267	GD1516	P343
GB0444	P114	GB1201	P112	GD1026	P276	GD1517	P343
GB0455	P28	GB1203	P112	GD1026	P277	GD1654	P281
GB0455	P120	GB1203	P114	GD1059L	P34	GD1657	P263
GB0455	P122	GB1204	P112	GD1059L	P38	GD1673	P263
GB0458	P126	GB1204	P114	GD1059R	P34	GD1719	P74
GB0464	P42	GB1206	P116	GD1059R	P38	GD1747	P293
GB0493	P110	GB1216	P84	GD1060	P34	GD1862	P293
GB0554	P164	GB1218	P46	GD1060	P38	GD1862	P295
GB0577	P36	GB1223	P8	GD1061	P37	GD1862	P335
GB0579	P36	GB1223	P64	GD1063	P37	GD2115	P343
GB0673	P116	GB1223	P65	GD1065	P19	GD2117	P343
GB0675	P116	GB1223	P65	GD1065	P20	GD2117	P351

Part No.	Page	Part No.	Page	Part No.	Page	Part No.	Page
GD2169	P130	GD4743	P289	GD7519	P126	GD8770	P218
GD2169	P140	GD4743	P333	GD7571	P143	GD8770	P224
GD2199	P214	GD4743	P340	GD7612	P150	GD8771	P218
GD2199	P350	GD4887-17	P149	GD7688	P147	GD8771	P224
GD2412	P281	GD5154	P130	GD7803	P43	GD8893-01	P66
GD2423	P32	GD5212	P146	GD7804	P43	GD8893-01	P68
GD2548-7.375	P283	GD5212	P149	GD7817-04	P269	GD9120	P16
GD2558	P126	GD5841	P144	GD7817-04	P291	GD9130	P140
GD2558	P126	GD5857	P40	GD7817-18	P65	GD9254	P43
GD2558	P130	GD5857	P126	GD7831	P297	GD9529	P192
GD2558	P147	GD5857	P138	GD7848	P281	GD9529	P215
GD2558	P148	GD5857	P146	GD7864	P143	GD9529	P192
GD2558	P148	GD5857	P149	GD7866	P276	GD9530	P192
GD2558	P149	GD5857	P152	GD7867	P283	GD9530	P215
GD2558	P276	GD5857	P276	GD7883	P129	GD9530	P192
GD2589	P263	GD5857	P279	GD7889	P152	GD9533	P182
GD2597	P164	GD5857	P285	GD7889	P285	GD9636	P140
GD2721	P160	GD5857	P287	GD7889	P287	GD9667	P154
GD2721	P162	GD5875	P126	GD7900	P264	GD9671	P154
GD2734-08	P277	GD5875	P130	GD7904-02	P134	GD9672	P154
GD2829	P216	GD5875	P134	GD7904-02	P265	GD9695	P65
GD2947	P32	GD5875	P138	GD7907	P265	GD9715	P40
GD2971-09	P126	GD5875	P140	GD7907	P343	GD9720	P40
GD2971-10	P32	GD5886	P279	GD7908	P264	GD9724	P40
GD2971-21	P84	GD5886	P283	GD7908	P343	GD9724	P42
GD2971-24	P68	GD6279-05	P189	GD7912	P265	GD9724	P269
GD2971-26	P10	GD6279-07	P98	GD7962	P264	GD9870	P134
GD2971-26	P86	GD6279-07	P100	GD7962	P269	GD9896	P216
GD2984	P343	GD6291	P34	GD8066-02	P182	GD9898	P134
GD2984	P351	GD6291	P34	GD8188	P126	GD9905	P183
GD3180-10	P277	GD6291	P92	GD8188	P129	GD9952	P132
GD3180-30	P6	GD6291	P96	GD8188	P132	GD9955	P128
GD3180-30	P82	GD6291	P216	GD8188	P134	GD9959	P130
GD3180-34	P160	GD6291	P224	GD8188	P212	GD9960	P126
GD3501	P126	GD6553	P264	GD8189	P126	GD9963	P128
GD3537-12	P130	GD6556	P126	GD8189	P129	GD9964	P128
GD3537-20	P130	GD6895	P138	GD8189	P132	GD9968	P134
GD3547	P343	GD6895	P146	GD8189	P134	GD9971	P180
GD3612	P4	GD7079	P143	GD8224	P265	GD9977	P182
GD3623	P303	GD7089	P143	GD8238	P264	GD10006	P134
GD3860	P216	GD7127	P149	GD8239	P265	GD10007	P152
GD3951	P303	GD7127	P276	GD8247	P264	GD10011	P140
GD4086	P198	GD7137	P126	GD8260	P126	GD10012	P140
GD4086	P200	GD7148	P37	GD8276	P265	GD10013	P140
GD4086	P202	GD7251	P126	GD8306	P74	GD10014	P140
GD4086	P203	GD7258	P37	GD8306	P110	GD10036	P6
GD4700	P147	GD7318	P19	GD8306	P334	GD10036	P8
GD4743	P84	GD7318	P20	GD8460	P16	GD10049	P128
GD4743	P108	GD7426	P146	GD8739	P215	GD10057-20	P210
GD4743	P158	GD7426	P150	GD8740	P215	GD10063	P140
GD4743	P162	GD7426	P276	GD8741	P215	GD10064	P140
GD4743	P184	GD7426	P277	GD8751	P218	GD10068	P154
GD4743	P210	GD7518	P126	GD8751	P224	GD10069	P154

# Numerical Index

M0312-02

Model 3605

Part No.	Page	Part No.	Page	Part No.	Page	Part No.	Page
GD10070	P154	GD11123	P295	GD11985	P173	GD14217	P8
GD10071	P154	GD11123	P333	GD11988	P168	GD14258	P156
GD10088	P162	GD11123	P335	GD11991	P168	GD14258	P156
GD10092	P140	GD11123	P336	GD11992	P168	GD14308	P167
GD10103	P154	GD11124	P293	GD11999	P177	GD14413	P146
GD10104	P154	GD11124	P295	GD12102	P167	GD14413	P277
GD10110	P293	GD11124	P335	GD12102	P173	GD14414	P146
GD10119	P276	GD11178	P269	GD12102	P177	GD14414	P277
GD10123	P154	GD11188	P269	GD12103	P168	GD14426	P146
GD10161	P279	GD11218	P66	GD12103	P170	GD14427	P277
GD10207	P167	GD11218	P68	GD12104	P176	GD14431	P146
GD10230	P335	GD11219	P32	GD12106	P169	GD14431	P277
GD10230	P336	GD11239	P18	GD12106	P172	GD14432	P146
GD10242	P265	GD11239	P37	GD12502	P177	GD14432	P277
GD10243	P216	GD11240	P37	GD12572	P169	GD14512	P154
GD10273	P265	GD11245	P143	GD12597	P176	GD14513	P154
GD10283	P164	GD11259	P4	GD12676	P267	GD14528	P182
GD10298	P138	GD11264	P64	GD12677	P267	GD14660	P156
GD10298	P146	GD11265	P269	GD12679	P267	GD15100	P127
GD10303	P265	GD11266	P269	GD12684	P269	GD15605-300	P333
GD10304	P265	GD11279	P22	GD12685	P267	GD15725	P127
GD10375	P146	GD11297	P37	GD12726	P215	GD15804	P86
GD10401	P146	GD11305	P32	GD12818	P183	GD15804	P104
GD10446	P140	GD11306	P10	GD13146	P182	GD15849-02	P86
GD10447	P140	GD11306	P263	GD13170	P174	GD15849-02	P104
GD10487	P265	GD11313	P27	GD13170	P174	GD16037	P98
GD10492	P134	GD11413	P18	GD13171	P174	GD16037	P100
GD10519	P42	GD11413	P37	GD13172	P174	GD16038	P98
GD10530	P130	GD11424	P34	GD13172	P174	GD16038	P100
GD10530	P289	GD11424	P38	GD13173	P174	GD16188	P189
GD10531	P138	GD11474	P219	GD13173	P174	GD16226	P127
GD10532	P134	GD11474	P224	GD13287	P214	GD16245	P4
GD10538-01	P130	GD11490	P144	GD13287	P214	GD16245	P64
GD10538-07	P160	GD11508	P27	GD13287	P267	GD16303	P127
GD10543	P152	GD11509	P27	GD13302	P170	GD16324-01	P86
GD10543	P154	GD11557	P267	GD13303	P170	GD16418-02	P160
GD10544	P234	GD11558	P267	GD13303	P172	GD16642	P92
GD10552	P269	GD11649	P65	GD13307	P172	GD16642	P96
GD10777	P303	GD11677	P43	GD13309	P271	GD17014	P4
GD10792	P161	GD11700	P189	GD13310	P182	GD17014	P65
GD10963	P32	GD11700	P210	GD13310	P183	GD17052	P18
GD10963	P289	GD11700	P302	GD13310	P216	GD17052	P65
GD10984	P32	GD11705	P263	GD13348	P216	GD17052	P122
GD10991	P14	GD11721	P84	GD13348	P218	GD17141	P158
GD10993	P4	GD11721	P214	GD13359	P161	GD17143	P158
GD11001	P4	GD11836	P269	GD13360	P161	GD17150-03	P158
GD11045	P73	GD11953	P271	GD13400	P174	GD17150-04	P158
GD11045	P150	GD11962	P19	GD13400	P174	GD17150-08	P158
GD11089	P216	GD11962	P20	GD13401	P144	GD17150-09	P158
GD11089	P219	GD11962	P32	GD13409	P143	GD17150-12	P158
GD11089	P224	GD11963-08	P130	GD13425	P174	GD17151-06	P156
GD11120	P154	GD11970	P176	GD13524-01	P154	GD17151-20	P86
GD11123	P293	GD11984	P176	GD13706-02	P343	GD17154	P158

Part No.	Page	Part No.	Page	Part No.	Page	Part No.	Page
GD17156	P158	GD19508	P122	GD22503	P317	GD26879	P279
GD17245	P127	GD19509	P120	GD22503	P318	GD26880	P279
GD18010	P156	GD19509	P122	GD22695	P36	GD26970	P80
GD18010	P158	GD19639	P110	GD22696	P36	GD26973	P42
GD18011	P82	GD19655	P129	GD22965	P216	GD26989	P213
GD18011	P158	GD19658-02	P110	GD23002	P167	GD26989	P259
GD18013	P224	GD19659-01	P110	GD23020	P130	GD27103	P108
GD18041	P158	GD19659-05	P110	GD23773	P20	GD27190	P213
GD18078	P158	GD19661-01	P160	GD23773	P327	GD27190	P259
GD18112	P157	GD19690-03	P116	GD23774	P12	GD27215	P87
GD18118	P218	GD19690-04	P116	GD23774	P68	GD27215	P116
GD18118	P223	GD19852	P112	GD23995	P6	GD27232	P174
GD18119	P158	GD19864	P112	GD24386	P116	GD27232	P174
GD18135	P65	GD19864	P114	GD24545	P4	GD27234	P167
GD18136	P65	GD20035	P116	GD24545	P64	GD27234	P173
GD18168	P218	GD20036	P116	GD24754	P116	GD27235	P169
GD18168	P223	GD20037	P116	GD24879-01	P116	GD27235	P170
GD18176	P222	GD20060	P293	GD25007	P228	GD27235	P172
GD18177	P222	GD20060	P295	GD25189	P160	GD27235	P177
GD18274	P158	GD20060	P335	GD25522	P90	GD27237	P176
GD18275	P156	GD20095	P299	GD25522	P124	GD27290	P306
GD18407	P220	GD20282	P118	GD25522	P198	GD27290	P327
GD18408	P220	GD20401	P110	GD25522	P200	GD27607	P112
GD18540	P160	GD20461	P144	GD25522	P202	GD27607	P114
GD18643	P141	GD20539	P86	GD25522	P203	GD27607	P116
GD18796	P156	GD20599	P108	GD25522	P206	GD28354	P227
GD18815	P160	GD20695	P135	GD25522	P212	GD28363	P228
GD18889	P160	GD20695	P180	GD25568	P64	GD28372	P104
GD19123	P191	GD20696	P134	GD25569	P64	GD28372	P104
GD19212	P110	GD20697	P180	GD25644	P104	GD28390	P4
GD19212	P134	GD20718	P184	GD25867	P230	GD28515	P36
GD19237	P158	GD20718	P185	GD26024	P161	GD28631	P30
GD19237	P158	GD20719	P184	GD26146	P16	GD29104-13	P297
GD19238	P158	GD20722	P84	GD26274	P313	GD29315	P190
GD19292	P43	GD20728	P126	GD26274	P340	GD29315	P194
GD19295	P224	GD20757	P343	GD26274	P341	GD29315	P196
GD19343	P146	GD20795	P230	GD26304	P313	GD29318	P186
GD19343	P277	GD20923	P116	GD26474	P310	GD29318	P194
GD19344	P146	GD20928	P104	GD26477	P147	GD29318	P195
GD19344	P277	GD21080	P112	GD26479	P147	GD29318	P210
GD19383-02	P124	GD21080	P114	GD26479	P279	GD29319	P187
GD19383-03	P90	GD21142	P161	GD26483	P176	GD29319	P190
GD19383-03	P92	GD21143	P161	GD26497	P149	GD29319	P195
GD19383-03	P96	GD21158	P339	GD26497	P152	GD29319	P196
GD19460	P86	GD21278	P86	GD26499	P147	GD29319	P210
GD19468	P127	GD21300	P104	GD26560	P279	GD29321	P186
GD19469	P86	GD21337	P8	GD26565	P279	GD29321	P187
GD19470	P86	GD21398	P281	GD26569	P282	GD29321	P188
GD19491	P161	GD21540	P164	GD26593	P30	GD29321	P190
GD19508	P112	GD21746	P130	GD26598	P271	GD29321	P194
GD19508	P114	GD22200	P227	GD26706	P84	GD29321	P195
GD19508	P120	GD22503	P315	GD26839	P147	GD29321	P196

# Numerical Index

M0312-02

Model 3605

Part No.	Page	Part No.	Page	Part No.	Page	Part No.	Page
GD29324	P186	GD33756	P234	GD35835	P210	GD36822	P227
GD29413	P24	GD33757	P234	GD35837	P260	GD36856	P10
GD29413	P70	GD33758	P234	GD35844	P116	GD36860	P10
GD29413	P120	GD33759	P234	GD35847	P87	GD36870	P112
GD29413	P122	GD33819	P299	GD35857	P116	GD36895	P16
GD29459	P64	GD33820	P299	GD35903	P104	GD36990	P10
GD29491	P36	GD33822	P297	GD35904-01	P76	GD37001	P116
GD29492	P36	GD33831	P289	GD35904-01	P78	GD37002	P116
GD29507	P18	GD33962	P110	GD35904-01	P207	GD37049	P112
GD29625	P273	GD34177	P141	GD35904-01	P208	GD37050	P114
GD29625	P313	GD34178	P144	GD36277	P32	GM0312-01	P356
GD29625	P339	GD34178	P297	GD36333	P36	GM0312-02	P356
GD29651	P169	GD34774	P30	GD36388	P24	GR0146MPP	P355
GD29657	P30	GD34779	P182	GD36388	P70	GR0150	P164
GD29709	P313	GD34923	P264	GD36388	P212	GR0151	P164
GD29709	P339	GD35058	P24	*GD36495-36	P88	GR0188	P264
GD29709	P339	GD35211	P80	*GD36495-36	P88	GR0190	P297
GD29798	P4	GD35216	P234	*GD36495-36	P88	GR0193	P134
GD29798	P120	GD35271	P204	*GD36495-36	P88	GR0193	P140
GD29806	P65	GD35271	P204	*GD36495-36	P88	GR0196	P4
GD30221	P165	**GD35274-01	P116	*GD36495-36	P88	GR0196	P32
GD30262	P227	GD35314	P210	*GD36495-36	P88	GR0196	P37
GD30263	P167	GD35381	P98	*GD36495-36	P88	GR0196	P65
GD30264	P167	GD35381	P100	*GD36495-42	P88	GR0204	P297
GD30401	P173	GD35422	P194	*GD36495-42	P88	GR0270	P144
GD30570	P190	GD35444	P10	*GD36495-42	P88	GR0375	P134
GD30571	P194	GD35449	P70	*GD36495-46	P88	GR0375	P140
GD30696	P172	GD35449	P72	*GD36495-46	P88	GR0434	P144
GD30697	P170	GD35459	P26	*GD36495-46	P88	GR0508	P293
GD30697	P172	GD35465	P234	*GD36495-46	P88	GR0508	P295
GD30722	P165	GD35471	P65	*GD36495-46	P88	GR0528	P143
GD30723	P165	GD35472	P65	*GD36495-46	P88	GR0586	P218
GD30725	P10	GD35609	P24	*GD36495-50	P88	GR0761	P192
GD30725	P42	GD35609	P46	*GD36495-50	P88	GR0761	P204
GD30725	P263	GD35609	P70	*GD36495-50	P88	GR0761	P204
GD30725	P279	GD35609	P72	*GD36495-50	P88	GR0763	P192
GD30726	P24	GD35609	P260	*GD36495-55	P88	GR0764	P182
GD30726	P259	GD35626	P260	*GD36495-70	P88	GR0764	P183
GD30860	P172	GD35628	P70	*GD36495-70	P88	GR0764	P192
GD30880	P172	GD35629	P24	*GD36495-70	P88	GR0880	P299
GD30881	P172	GD35629	P46	GD36680	P228	GR0881	P299
GD30882	P104	GD35629	P70	GD36681	P228	GR0882	P299
GD30902	P154	GD35629	P72	GD36682	P228	GR0883	P299
GD30903	P154	GD35629	P260	GD36709	P14	GR0911	P279
GD31305	P104	GD35713	P214	GD36713	P14	GR0912	P74
GD31424	P84	GD35713	P214	GD36723	P234	GR0912	P148
GD31466	P271	GD35727	P126	GD36724	P234	GR0912	P150
GD31485	P216	GD35729	P214	GD36726	P230	GR0912	P276
GD31511	P161	GD35743	P214	GD36727	P230	GR0912	P277
GD32092	P216	GD35761	P126	GD36756	P210	GR0912	P279
GD32368	P126	GD35785	P149	GD36820	P228	GR0912	P285
GD32368	P329	GD35786	P146	GD36821	P227	GR0912	P287



Part No.	Page	Part No.	Page	Part No.	Page	Part No.	Page
GR1015	P343	GR1294	P74	GR1540	P305	GR1965	P104
GR1016	P343	GR1294	P150	GR1541	P305	GR1966	P104
GR1017	P343	GR1294	P150	GR1542	P305	GR1967	P104
GR1018	P343	GR1295	P74	GR1543	P301	GR1969	P104
GR1019	P343	GR1295	P150	GR1543	P305	GR1977	P104
GR1037	P130	GR1301	P74	GR1544	P305	GR1978	P104
GR1037	P130	GR1301	P150	GR1545	P305	GR1979	P104
GR1037	P140	GR1303	P154	GR1557	P73	GR2000	P104
GR1037	P160	GR1304	P154	GR1557	P74	GR2011	P301
GR1037	P167	GR1305	P154	GR1557	P150	GR2041	P182
GR1037	P168	GR1306	P154	GR1559	P305	GR2041	P189
GR1037	P169	GR1363	P156	GR1561	P305	GR2041	P191
GR1037	P170	GR1363	P216	GR1566	P305	GR2043	P184
GR1037	P172	GR1364	P156	GR1567	P305	GR2109	P104
GR1037	P173	GR1364	P216	GR1568	P305	GR2126	P228
GR1037	P176	GR1405	P73	GR1570MPP	P355	GR2147	P74
GR1037	P177	GR1406	P74	GR1573	P170	GR2147	P150
GR1037	P180	GR1407	P74	GR1574	P305	GR2148	P73
GR1037	P180	GR1408	P74	GR1575	P305	GR2148	P150
GR1037	P180	GR1409	P74	GR1598	P174	GR2149	P283
GR1037	P182	GR1410	P74	GR1708	P293	GR2150	P283
GR1037	P183	GR1411	P74	GR1708	P295	GR2151	P73
GR1037	P184	GR1412	P74	GR1736	P86	GR2151	P74
GR1037	P186	GR1413	P74	GR1762	P218	GR2151	P150
GR1037	P187	GR1414	P219	GR1763	P219	GR2151	P150
GR1037	P191	GR1414	P223	GR1777	P86	GR2152	P125
GR1037	P200	GR1415	P219	GR1777	P104	GR2153	P125
GR1037	P202	GR1415	P223	GR1778	P158	GR2185	P301
GR1045	P87	GR1465	P160	GR1796	P301	GR2224	P169
GR1045	P104	GR1465	P167	GR1798	P301	GR2230	P172
GR1045	P180	GR1465	P176	GR1800	P301	GR2234	P172
GR1045	P182	GR1466	P87	GR1801	P301	GR2240MPP	P355
GR1045	P182	GR1466	P87	GR1803	P301	GR2241MPP	P355
GR1045	P183	GR1466	P104	GR1804	P301	GR2279	P220
GR1045	P186	GR1466	P182	GR1805	P301	GR2287	P204
GR1045	P189	GR1466	P183	GR1806	P301	GR2287	P204
GR1045	P191	GR1466	P189	GR1808	P301	GR2312	P187
GR1045	P319	GR1466	P195	GR1838	P220	GR2312	P195
GR1104	P301	GR1466	P196	GR1839	P220	GR2312	P196
GR1112	P301	GR1466	P210	GR1842MPP	P355	GR2314	P87
GR1116	P301	GR1467	P180	GR1843	P158	GR2333	P87
GR1118	P301	GR1467	P180	GR1912	P143	GR2361	P210
GR1120	P301	GR1467	P187	GR1921	P158	GR2362	P178
GR1122	P299	GR1467	P189	GR1925	P167	GR2363	P178
GR1123	P301	GR1467	P195	GR1941	P293	GR2368	P210
GR1124	P301	GR1467	P196	GR1941	P295	GR2374	P306
GR1134	P301	GR1519	P176	GR1943	P157	*R2281	P178
GR1146	P301	GR1522	P173	GR1947	P105	R2282	P178
GR1290	P216	GR1524	P168	GR1947	P106	*R2283	P178
GR1292	P36	GR1526	P177	GR1951	P158	*R2300	P178
GR1292	P216	GR1533	P305	GR1960	P104	*R2301	P178
GR1294	P73	GR1535	P305	GR1961	P104	*R2302	P178

Part No.	Page	Part No.	Page	Part No.	Page	Part No.	Page
*R2303. ....	P178						
*R2304. ....	P178						
*R2305. ....	P178						
*R2307. ....	P178						
*R2308. ....	P178						
*R2309. ....	P178						
**R2365. ....	P210						
**R2366. ....	P210						
**R2367. ....	P210						