

# MODEL 3505 70 CM PIVOT FOLD PLANTER PARTS MANUAL

**M0311-02**

**Rev. 02/24**

This manual is applicable to:     Model: 3505 Twin-Line Planters  
  (Row Hoppers and Bulk Fill)  
  2023 Production and on

Record the model number and serial number of your planter along with date purchased:

Serial Number \_\_\_\_\_

Date Purchased \_\_\_\_\_

Information in this manual was current at time of printing. However, due to Kinze's ongoing product improvement, production changes may cause your machine to appear slightly different in detail. Kinze Manufacturing, Inc. reserves the right to change specifications or design without notice and without incurring obligation to install the same on machines previously manufactured.

Right hand (R.H.) and left hand (L.H.), as used throughout this manual, are determined by facing in the direction the machine will travel when in use, unless otherwise stated.

**ROW UNIT**

Pull Row Unit Assembly . . . . . P1  
 Shank Assembly, Seed Tube, and Depth Adjustment . . . . . P3  
 Parallel Arms, Mounting Support Plate, and Quick Adjustable  
 Down Force Springs Option . . . . . P5  
 15" Seed Opener Disc Blade/Bearing Assembly and  
 Scrapers . . . . . P7  
 Gauge Wheels . . . . . P9  
 "V" Closing Wheels . . . . . P11  
 Hopper Support and Meter Drive . . . . . P13  
 Blue Drive Row Unit Components . . . . . P15  
 Pneumatic Down Pressure Package Option . . . . . P17  
 Row Unit Idler . . . . . P19  
 Seed Hopper and Lid . . . . . P20  
 Vacuum Seed Meter . . . . . P21  
 Granular Chemical Hopper and Hopper Panel Extension  
 (Ground Contact Drive) . . . . . P23  
 Granular Chemical Hopper and Hopper Panel Extension  
 (Blue Drive) . . . . . P25  
 Granular Chemical Meter (Electric Drive) . . . . . P27  
 Granular Chemical Meter and Meter Drive . . . . . P29  
 Granular Chemical Hopper and Hopper Panel Extension P30  
 Granular Chemical Banding Options . . . . . P31  
 Seed Meter Stepper Motor Pinion Press Kit . . . . . P33  
 Row Unit Mounted No Till Coulter . . . . . P34  
 Coulter Mounted Residue Wheels . . . . . P35  
 Row Unit Mounted Residue Wheel . . . . . P37  
 Row Unit with True Depth Assembly . . . . . P39  
 True Speed Row Unit . . . . . P41  
 True Speed Seed Delivery System W/Driver . . . . . P43  
 Seed Delivery Rail Assembly . . . . . P44  
 True Speed Seed Delivery System Assembly . . . . . P45  
 True Speed Seed Meter . . . . . P49  
 True Speed Meter Housing . . . . . P51  
 True Speed Meter Cover . . . . . P53  
 True Speed Mini-Hopper . . . . . P55

**INTERPLANT**

Push Row Unit Assembly . . . . . P57  
 Parallel Arms and Face Plate (Split Row) . . . . . P58  
 Shank and Depth Adjustment (Split Row) . . . . . P60  
 Pneumatic Down Pressure Package (Split Row) . . . . . P62  
 Split Row Push Row Unit Drive . . . . . P64  
 Clutch Sprocket Assembly . . . . . P66  
 Push Row Unit Idler (Ground Contact Drive) . . . . . P67  
 Push Row Unit Clutches . . . . . P68  
 Split Row Blue Drive Push Unit . . . . . P70  
 Blue Drive Blue Vantage Push Unit . . . . . P72

**VACUUM**

Vacuum Fan Assembly . . . . . P74  
 Digital and Analog Vacuum Gauges . . . . . P77  
 Hydraulic Valve Block on Vacuum Motor . . . . . P80  
 Vacuum Fan Motor Valve Block Assembly . . . . . P81  
 Vacuum System Assembly . . . . . P82

PTO Pump Drive and Oil Cooler Option, Ground Contact  
 Drive . . . . . P84  
 PTO Pump Drive and Oil Cooler Option, Blue Drive . . . . . P86  
 PTO Cooler and Filter Assembly w/ Mounts . . . . . P88  
 Dual Stage PTO Package . . . . . P89  
 PTO Pump . . . . . P97  
 Universal PTO Pump . . . . . P98  
 PTO Gear Pump Mount Assembly . . . . . P99  
 Miscellaneous Vacuum Parts . . . . . P100  
 Split Row Vacuum Hose Bundle . . . . . P101

**BULK FILL**

Bulk Fill True Speed Assembly . . . . . P102  
 Bulk Fill Fan Mounts and Catwalk . . . . . P104  
 Bulk Fill Fan Manifold . . . . . P107  
 Bulk Fill Analog Gauges . . . . . P108  
 Bulk Fill Fan Hydraulic Components (Vacuum) . . . . . P110  
 Bulk Fill Fan System . . . . . P112  
 Bulk Fill Distribution Hoses . . . . . P114  
 Bulk Fill Tank Assembly . . . . . P118  
 Vacuum Row Unit, Bulk Fill . . . . . P120  
 Split Row Unit, Bulk Fill . . . . . P122  
 Bulk Fill Hitch Parts . . . . . P124

**BASE MACHINE**

Y-Hitch Assembly . . . . . P126  
 T-Hitch Assembly . . . . . P128  
 Safety Chain Assembly . . . . . P130  
 Hydraulic Hose Holder . . . . . P131  
 2-Point Hitch Option . . . . . P132  
 Transport Catch Assembly . . . . . P134  
 Main Frame Assembly . . . . . P136  
 Axle Assembly . . . . . P140  
 Contact Wheel and Arm Assembly . . . . . P142  
 Driveline . . . . . P144  
 Seed Rate Transmission Assembly . . . . . P145  
 Pneumatic Down Pressure Control Box, Sending Unit, and  
 Harnesses . . . . . P148  
 Pneumatic Down Pressure Air Compressor, Dual Solenoid  
 Assembly, Tubing, and Fittings . . . . . P150  
 Row Marker Assembly (Conventional) . . . . . P152  
 2nd Stage Marker Assembly (Conventional) . . . . . P154  
 2nd Stage Marker Assembly (Bulk Fill) . . . . . P155  
 Row Marker W/Mounts, (Bulk Fill) . . . . . P156  
 Row Marker Spindle/Hub/Blade . . . . . P158  
 Module Mount Assembly . . . . . P160  
 Water Tank Assembly . . . . . P162  
 Manual Canister . . . . . P163

**HYDRAULICS**

Lift Cylinder . . . . . P164  
 Row Marker Cylinder . . . . . P166  
 Selector Valve . . . . . P168  
 Stroke Limiter Valve, Conventional . . . . . P168  
 Row Marker Sequencing/Flow Control Valve Fittings &



Mount . . . . .	P169	Fertilizer Flow Meter Assembly . . . . .	P256
Row Marker Sequencing/Flow Control Valve . . . . .	P170	Fertilizer Flow Meter Cover . . . . .	P257
Manifold Hydraulic Block Assembly . . . . .	P171	Manifold Y Strainer Assembly . . . . .	P261
Bulk Fill/Vacuum Anti-Cavitation Check Valve Block (Located on Vacuum Fan) . . . . .	P172	Orifice Storage Box . . . . .	P268
Rotation Cylinder . . . . .	P174	3-Way Valve Unit Assembly (Blue Drive Liquid Fertilizer) . . . . .	P269
Transport Latch Cylinder, All Sizes . . . . .	P174	Front and Rear Tee Assembly (Blue Drive Liquid Fertilizer) . . . . .	P270
PTO Hydraulic Block Assembly, Blue Drive . . . . .	P175	Liquid Fertilizer Assembly Tees (Blue Drive, Bulk Fill) . . . . .	P272
Row Unit True Depth Assembly . . . . .	P176	Liquid Fertilizer 150 Gal. Tank Assembly (Blue Drive) . . . . .	P273
Integrated True Depth Assembly . . . . .	P178	Diaphragm Pump Assembly . . . . .	P277
True Depth Main Block Assembly . . . . .	P180	Liquid Fertilizer Drop Tube Assembly . . . . .	P279
Vacuum Conventional Planter Hydraulic System . . . . .	P182	Liquid Fertilizer Tube In Furrow . . . . .	P280
Vacuum Bulk Fill Planter Hydraulic System . . . . .	P184	Hose Adapter Assembly . . . . .	P281
Vacuum Planter With PTO Option Hydraulic System . . . . .	P186	Hoses for BV-controlled Liquid Fertilizer . . . . .	P283
Vacuum Bulk Fill Planter With PTO Option Hydraulic System . . . . .	P188	Dry Fertilizer Tank Mounts . . . . .	P284
Blue Drive Vacuum Conventional Planter Hydraulic System . . . . .	P190	Ground Contact Drive Add-On For Fertilizer (For Blue Drive Planters) . . . . .	P285
Blue Drive Vacuum Bulk Fill Planter Hydraulic System . . . . .	P192	Rear Trailer Hitch . . . . .	P287
Blue Drive Vacuum Planter W/ PTO Hydraulic System . . . . .	P194		
Dual Stage PTO Schematic . . . . .	P196	<b>MISCELLANEOUS . . . . .</b>	<b>P288</b>
Options Hydraulic Schematic . . . . .	P199	<b>NUMERICAL INDEX . . . . .</b>	<b>P300</b>
Blue Vantage Liquid Fertilizer Hydraulic Hose . . . . .	P201		

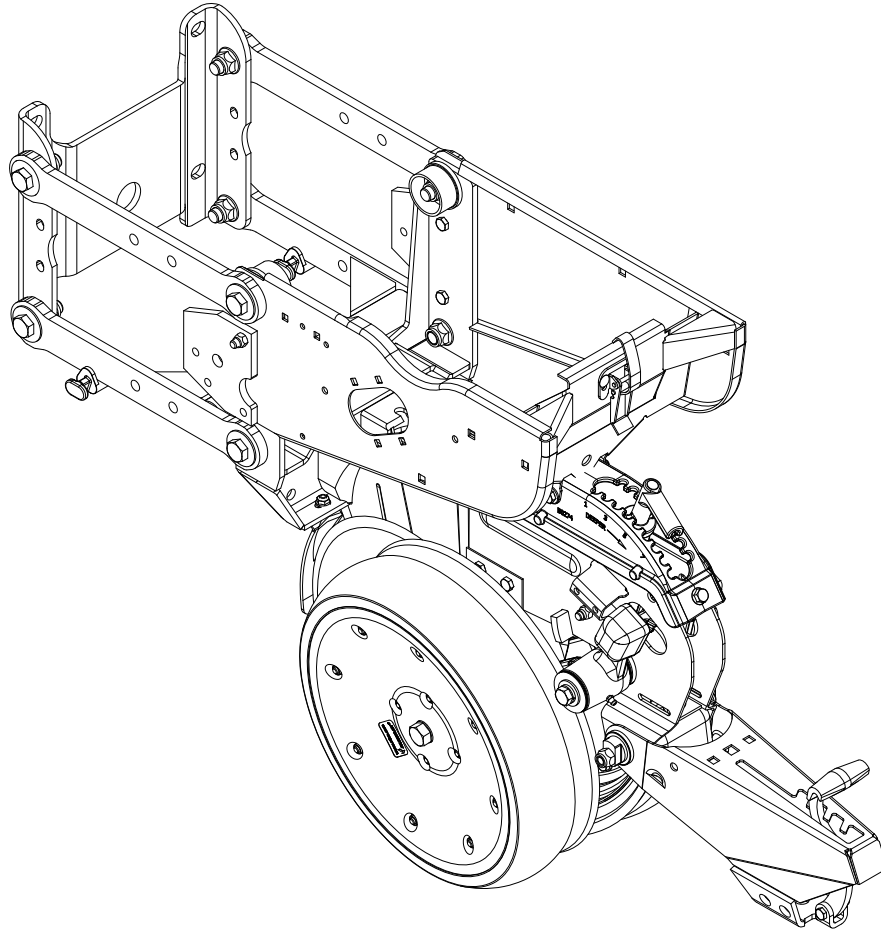
## ELECTRONICS

Electrical Components . . . . .	P202
KPM III Electronic Seed Monitor . . . . .	P204
LED Work Lights . . . . .	P207
Blue Vantage Display . . . . .	P208
Power Pack Mounting . . . . .	P211
Power Pack Assembly . . . . .	P212
Speed Sensor with Bracket . . . . .	P214
IPP Module Mounting . . . . .	P215
KPM III Harness Schematic . . . . .	P216
Blue Drive Ethernet Interconnect . . . . .	P218
Blue Drive Interconnect . . . . .	P220
Blue Drive Blue Vantage True Speed Interconnect . . . . .	P222
Blue Drive Blue Vantage True Speed Interconnect . . . . .	P223
Blue Drive Blue Vantage True Speed Interconnect . . . . .	P224
BV Liquid Fertilizer True Speed Interconnect . . . . .	P225
BV Liquid Fertilizer True Rate Interconnect . . . . .	P226

## FERTILIZER

Notched Single Disc Fertilizer Opener . . . . .	P227
Dry Fertilizer Transmission Sprockets . . . . .	P230
Dry Fertilizer Transmission Assembly . . . . .	P231
Dry Fertilizer Hopper and Mounts . . . . .	P234
Liquid Fertilizer Tanks, Saddles, Mounts, Hoses, and Fittings . . . . .	P236
Liquid Fertilizer Piston Pump Mounting Brackets and Driveline . . . . .	P238
Liquid Fertilizer Piston Pump Uses 18 Tooth Sprocket . . . . .	P240
Liquid Fertilizer Piston Pump Flow Divider . . . . .	P242
Fertilizer Manifold Parts . . . . .	P254
Manifold Row Flow Assembly . . . . .	P255

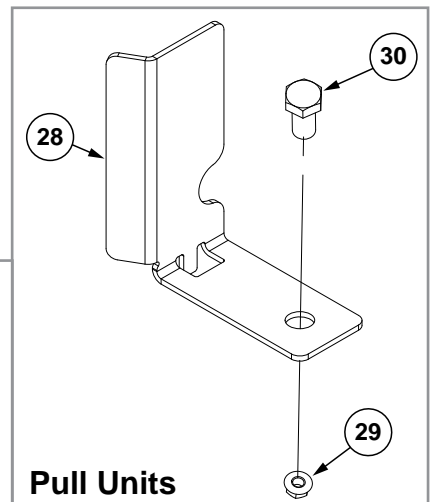
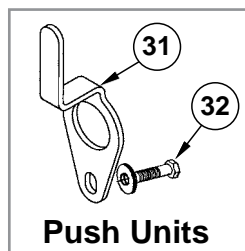
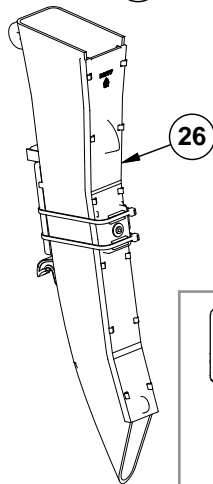
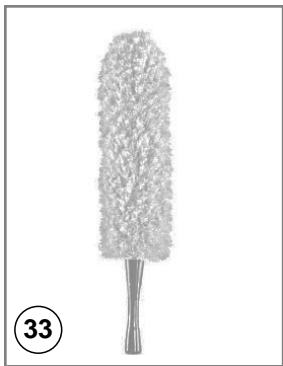
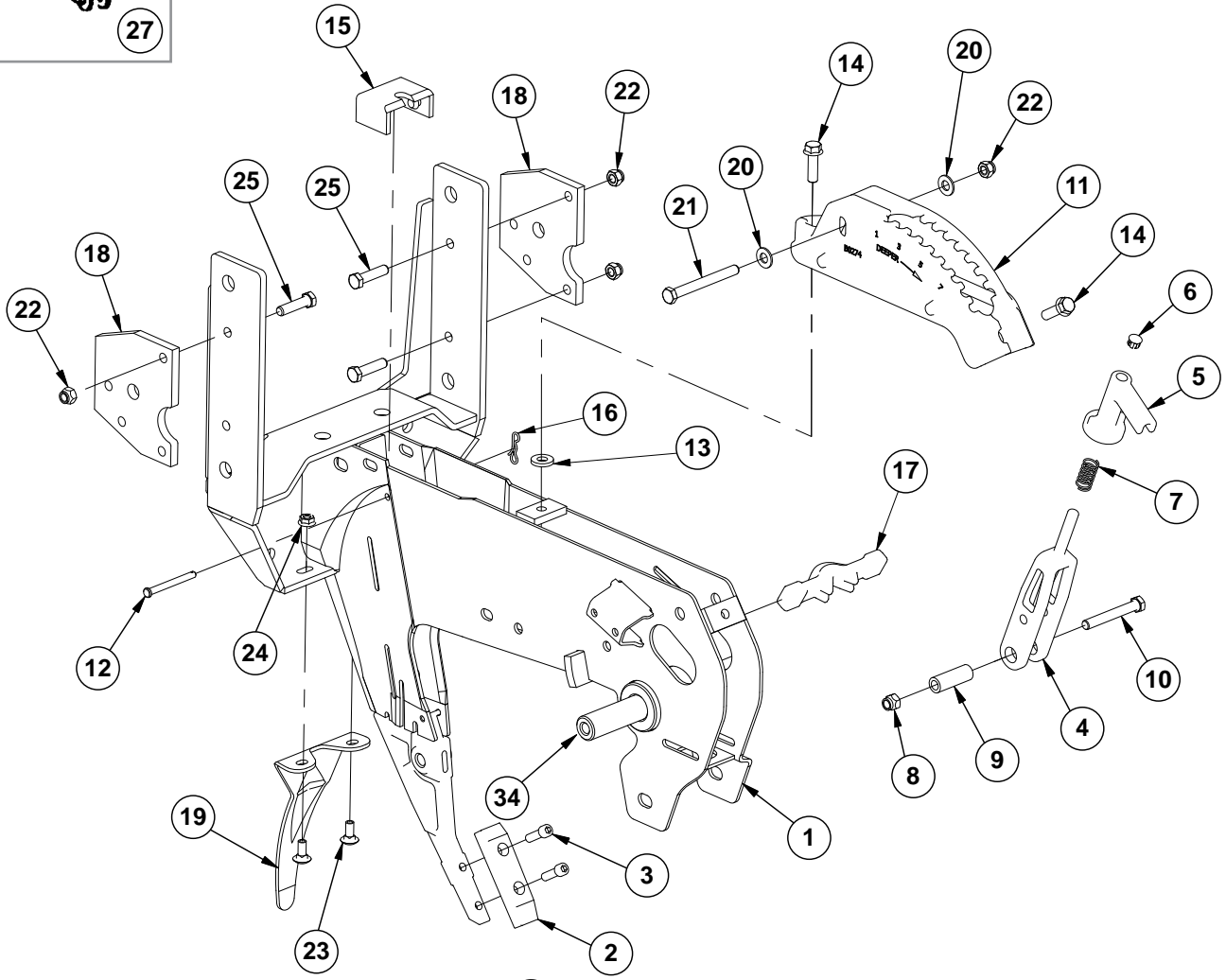
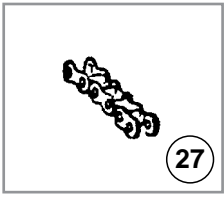
**NOTE:** Row unit assembly does not include the following: seed meter assembly, seed tube assembly, row unit hopper assembly, closing wheels, or seed meter clutch.



ITEM	PART NO.	QTY. (Per Row)	DESCRIPTION
1	G10502X	1	Pull Row Unit Assembly (Standard Gauge Wheels)
2	G10984X	1	Pull Row Unit Assembly (Spoked Gauge Wheels)

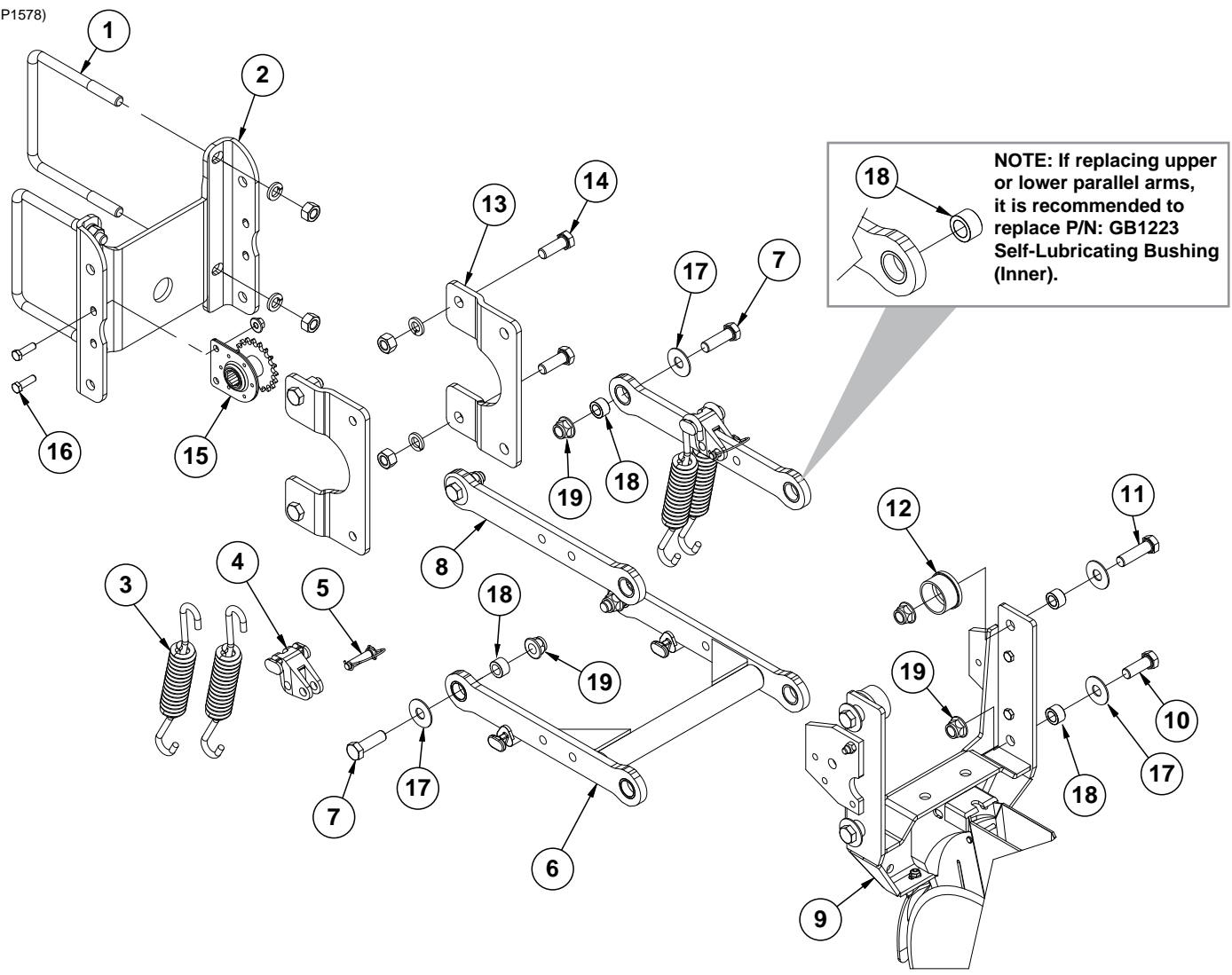
**This page left blank intentionally.**

(IP1577)



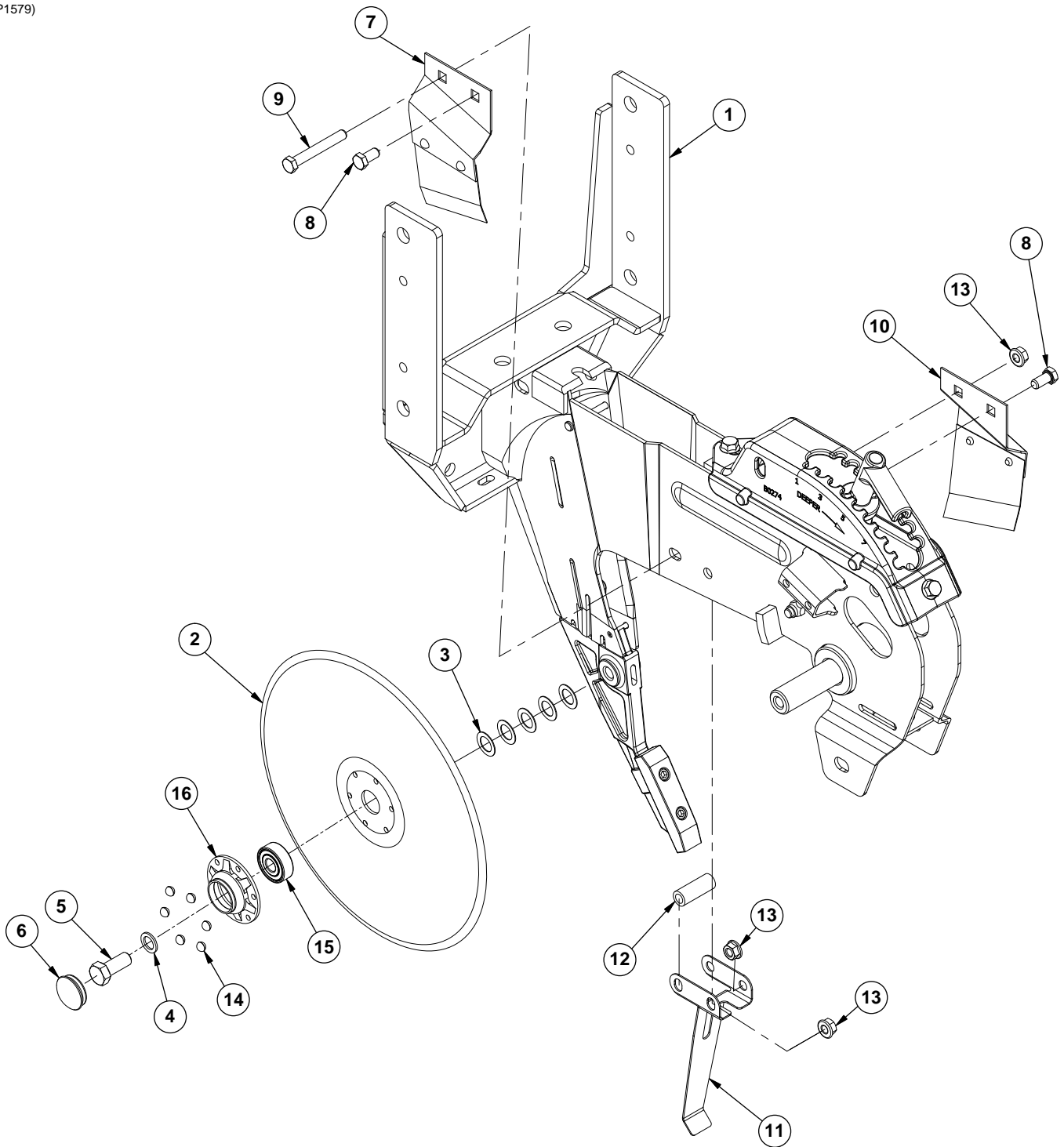
ITEM	PART NO.	QTY. (Per Row)	DESCRIPTION
1	GA10157	-	Shank W/Gauge Wheel Pivot Spindle and Set Screw ( <b>Non-True Speed</b> )
	G10258402	-	Shank W/Gauge Wheel Pivot Spindle and Set Screw ( <b>True Speed</b> )
2	G10038601	1	Scraper ( <b>Non-True Speed only</b> )
3	G10500901	2	Hex Socket Head Cap Screw, 5/16"-18 x 1" ( <b>Non-True Speed only</b> )
4	GB0267	1	Lever, Depth Adjustment
5	GB0266	1	Handle, Depth Adjustment
6	GD3612	1	Cap Plug
7	GD10993	1	Spring
8	G11591	1	Nylon Lock Nut, 3/8"-24, Grade C
9	GD11259	1	Sleeve, 3/8" I.D. x 5/8" O.D. x 1 <sup>25</sup> / <sub>32</sub> " Long
10	G11592	1	Hex Head Cap Screw, 3/8"-24 x 2 <sup>3</sup> / <sub>4</sub> ", Grade 8
11	GB0274	1	Cover, Depth Adjustment
12	G10551	1	Clevis Pin, 1/4" x 2 1/2"
13	G10207	1	Washer, 7/8" O.D. x 1 <sup>3</sup> / <sub>32</sub> " I.D. x .134" (If Applicable)
14	G11015	2	Hex Washer Head Cap Screw, 3/8"-16 x 1 <sup>1</sup> / <sub>4</sub> "
15	GD16245	1	Sun Shade (Rubber)
16	G10122301	1	Bow Tie Cotter Pin
17	GB0265	1	Pivot Link, Depth Adjustment
18	GD24545	2	Row Unit Stop
19	GD28390	1	Shield
20	G11387	2	Flat Washer, 3/8" SAE
21	G10061	1	Hex Head Cap Screw, 3/8"-16 x 3 1/2"
22	G10108	4	Lock Nut, 3/8"-16
23	G10312	2	Carriage Bolt, 5/16"-18 x 3/4"
24	G10620	2	Serrated Flange Nut, 5/16"-18
25	G10003	3	Hex Head Cap Screw, 3/8"-16 x 1 1/2"
26	GA21515	1	Seed Tube Assembly
27	G3303-124	1	Chain, No. 41, 124 Pitch Including Connector Link (Vacuum)
	GR0196	-	Connector Link, No. 41
28	GD29798	1	Chain Guard
29	G10071	1	Serrated Flange Nut, 1/2"-13
30	G10014	1	Hex Head Cap Screw, 1/2"-13 x 1"
31	GD17014	1	Hose Guide
32	G10753	1	Hex Head Cap Screw, 3/8"-16 x 4 1/2"
	G11387	7	Flat Washer, 3/8" SAE
	G10108	1	Lock Nut, 3/8"-16
33	G10475701	-	Professional Microfiber Duster, 19" (for cleaning Seed Tube sensors)
34	GD11001	1	Spindle
	G10438	1	Hex Head Cap Screw, 1/2"-13 x 3/4"

(IP1578)



ITEM	PART NO.	QTY. (Per Row)	DESCRIPTION
1	GD1113	2	U-Bolt, 5" x 7" x 5/8"-11
	G10230	4	Lock Washer, 5/8"
	G10104	4	Hex Nut, 5/8"-11
2	GD10036	1	Mounting Support Plate
3	GD21337	4	Heavy Duty Down Pressure Spring
4	GB0186	2	Spring Anchor
5	GD14217	2	Tab Lock Pin, 7/16" x 1 1/2"
6	G10011201	1	Lower Parallel Arm Assembly
	GB1224		Self-Lubricating Bushing, 1 1/4" O.D. x 1" I.D. x 1/2" (Included in G10011201)
7	G10732	4	Hex Head Cap Screw, 5/8"-18 x 2"
8	G10011101	2	Upper Parallel Arm Assembly
	GB1224	2	Self-Lubricating Bushing, 1 1/4" O.D. x 1" I.D. x 1/2" (Included in G10011101)
9	---	1	<a href="#">See "Shank Assembly, Seed Tube, and Depth Adjustment" on page P3</a>
10	G10751	2	Hex Head Cap Screw, 5/8"-18 x 1 3/4"
11	G10752	2	Hex Head Cap Screw, 5/8"-18 x 2 1/4"
12	GB0314	2	Hopper Mount
13	GB0366	2	Extension Bracket
14	G10005	4	Hex Head Cap Screw, 5/8"-11 x 1 3/4"
	G10230	4	Lock Washer, 5/8"
	G10104	4	Hex Nut, 5/8"-11
15	GA1720	1	Bearing/Sprocket, 7/8" Hex Bore
16	G10004	2	Hex Head Cap Screw, 3/8"-16 x 1 1/4"
	G11091	2	Serrated Flange Nut, 3/8"-16
17	G11976	8	Flat Washer, 5/8" x 1 3/4"
18	GB1223	8	Self-Lubricating Bushing
19	G11514	8	Lock Nut, 5/8"-18
A	G6325X	-	U-Bolt Package For 5" x 7" Toolbar, Includes: (2) GD1113, (4) G10230, (4) G10104
B	G1K758	-	Pull Row Unit Parallel Arm Kit, Includes: (2) G10011101, (1) G10011201, (8) GB1223, (8) G11976, (4) G10732, (2) G10751, (2) G10752, (8) G11514, (1) IS1066

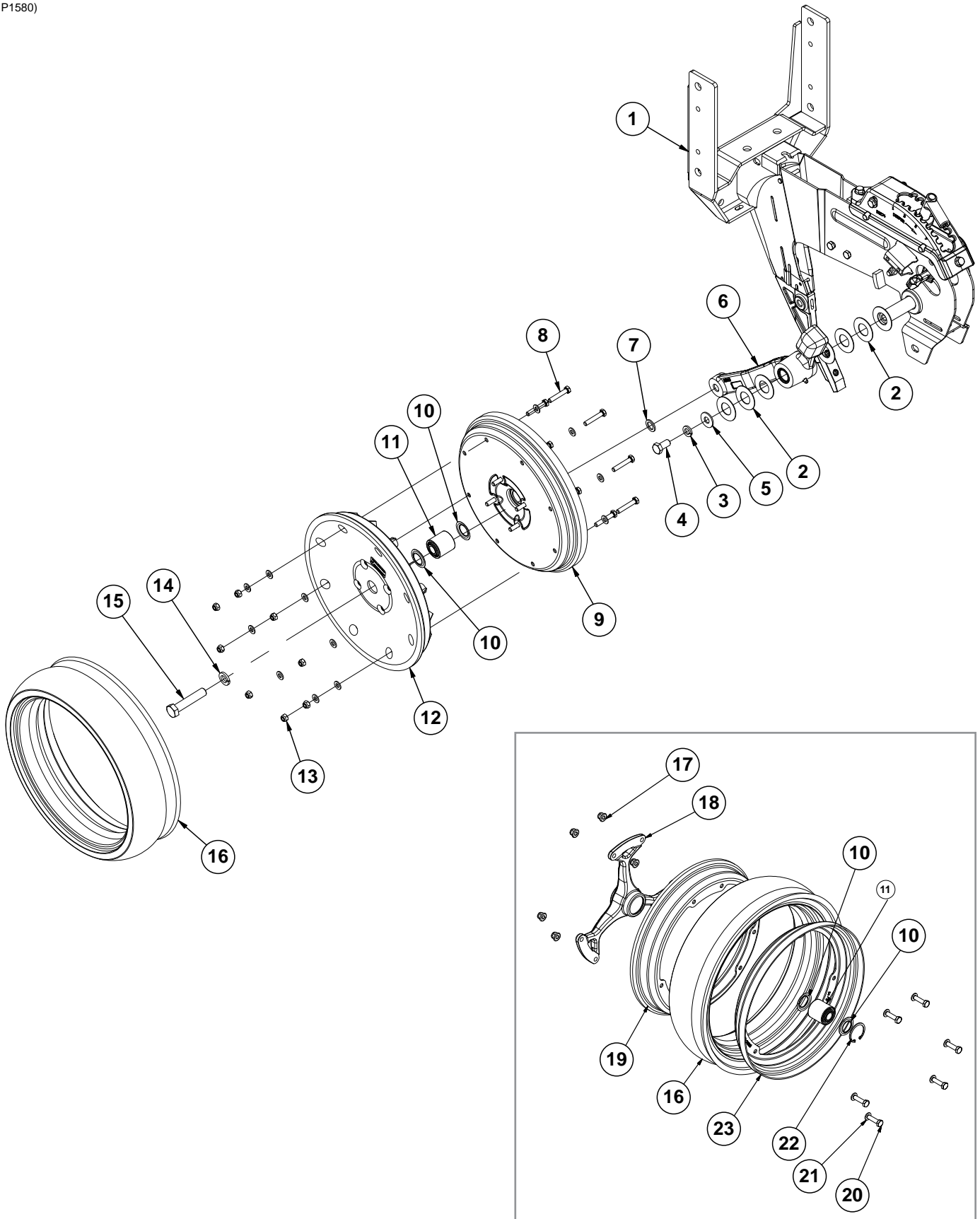
(IP1579)





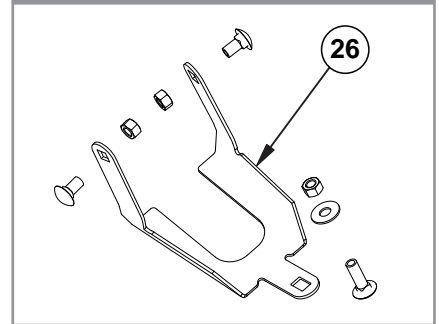
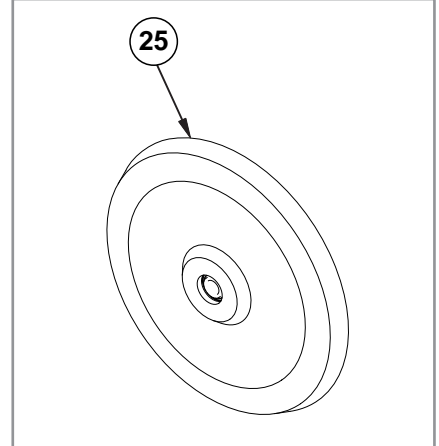
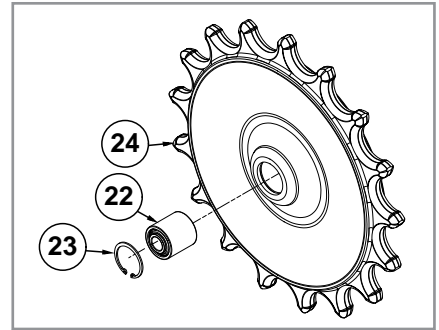
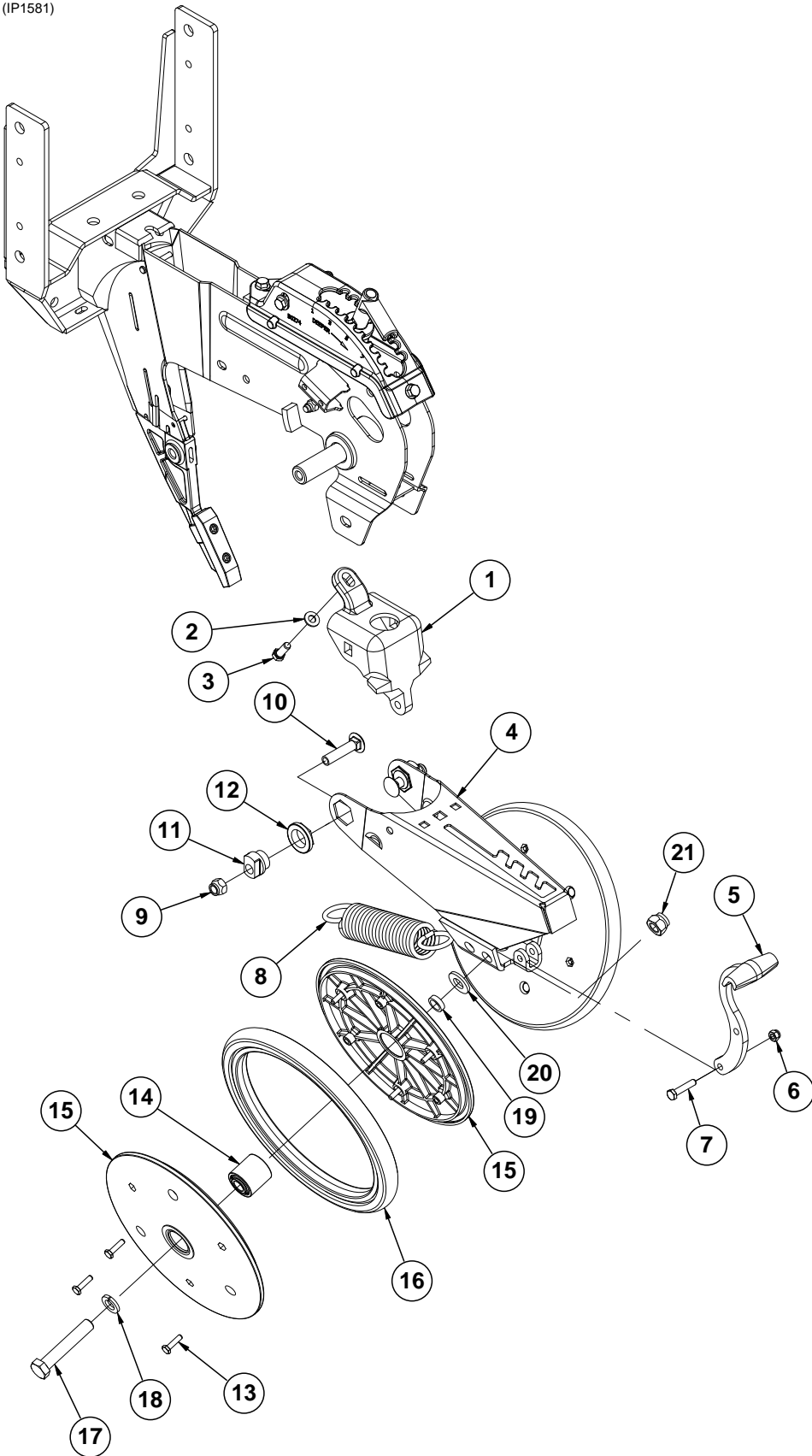
ITEM	PART NO.	QTY. (Per Row)	DESCRIPTION
1	---	-	<a href="#">See "Shank Assembly, Seed Tube, and Depth Adjustment" on page P3</a>
2	GD11306	1	Disc Blade, 3.5 mm x 15"
3	GD30725	10	Machine Bushing, 5/8" (.030" Thick) (5 Per)
4	G10204	2	Special Machine Bushing, 5/8" x 1" O.D.
5	GD36856	1	Opener Blade Bolt, 5/8"-11 x 1 3/4", Grade 5
	G10005	1	Hex Head Cap Screw, 5/8"-11 x 1 3/4"
6	G10090401	2	Plastic Ribbed Hub Cap (1 Per)
7	GA2012L	1	Disc Scraper, L.H.
8	G10002	2	Hex Head Cap Screw, 3/8"-16 x 3/4"
9	G10325	1	Hex Head Cap Screw, 3/8"-16 x 2 3/4"
10	GA2012R	1	Disc Scraper, R.H.
11	GD35444	1	Seed Tube Bracket
12	GD2971-26	1	Sleeve, 3/8" I.D x 5/8" O.D. x 1.63" Long
13	G10622	3	Serrated Flange Nut, 3/8"-16
14	GD36990	6	Rivet, 1/4" x 9/16"
15	GA26920	1	Bearing
16	GD36860		Bearing Housing
A	G10018801	-	Disc Blade/Bearing Assembly, Less Dust Cap (Items 2, 14-16)

(IP1580)



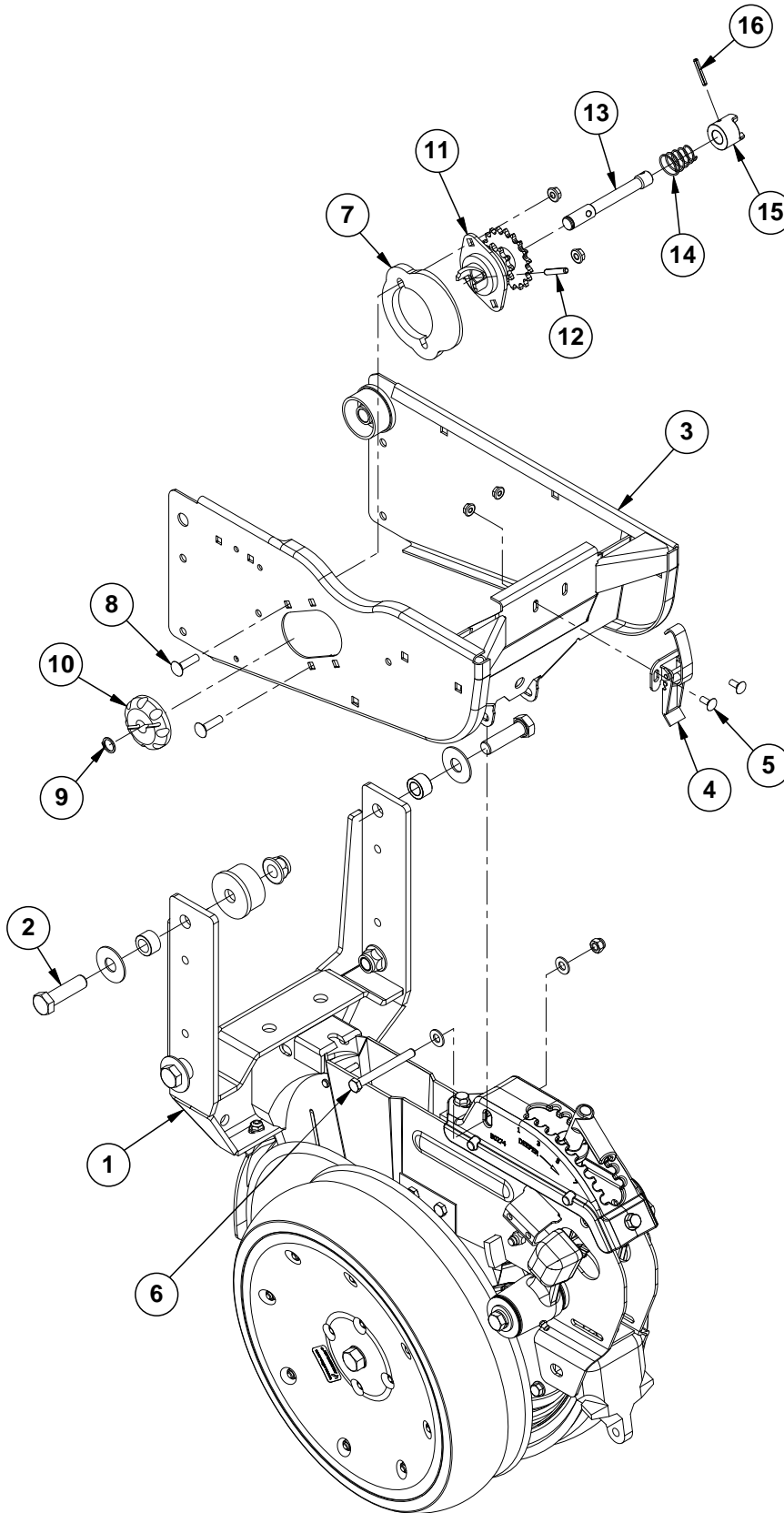
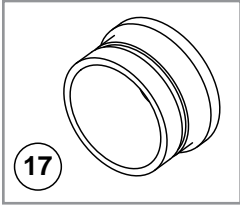
ITEM	PART NO.	QTY. (Per Row)	DESCRIPTION
1	---	-	<a href="#">See "15" Seed Opener Disc Blade/Bearing Assembly and Scrapers" on page P7</a>
2	G10940	7	Machine Bushing, 1" (.048" Thick)
3	G10228	2	Lock Washer, 1/2"
4	G10014	2	Hex Head Cap Screw, 1/2"-13 x 1"
5	G10216	2	Washer, 1/2" USS
6	GA21677	1	Wheel Arm W/Grease Fitting, Bushings, and Seals, L.H. (Shown)
	GA21676	-	Wheel Arm W/Grease Fitting, Bushings, and Seals, R.H.
	GD10991	2	Seal (Per Arm) (Included W/GA21677 and GA21676)
	GB0276	2	Bushing, 1" I.D. x 1 1/4" O.D. x 1" Long (Per Arm) (Included W/GA21677 and GA21676)
7	G10204	1	Special Machine Bushing, 5/8" x 1" O.D.
8	G10031	8	Carriage Bolt, 5/16"-18 x 1 1/4"
	G11386	8	Flat Washer, 5/16" SAE
9	G10028701	1	Half Gauge Wheel
	G10019	4	Hex Head Cap Screw, 5/16"-18 x 1"
	G11386	4	Flat Washer, 5/16" SAE
10	GD36713	2	Gauge Wheel Dust Shield
11	GA6171	1	Bearing
12	GD36709	1	Half Gauge Wheel
13	G10109	12	Lock Nut, 5/16"-18
	G11386	12	Flat Washer, 5/16" SAE
14	G10230	1	Lock Washer, 5/8"
15	G10010	1	Hex Head Cap Screw, 5/8"-11 x 3"
16	G10028601	1	Tire, 4 1/2" x 16
17	G10335001	6	Flanged Lock Nut, M8
18	G10334701	1	Hub
19	G10334901	1	Wheel Flange
20	G10335101	6	Screw, M8 x 30
21	G11386	6	Flat Washer, 5/16"
22	G10335201	1	Elastic Ring
23	G10334801	1	Wheel Flange
A	G10028801	-	Standard Gauge Wheel Complete (Items 8-13 and 16)
B	G10322501	-	Spoked Gauge Wheel Complete (Items 10-11 and 16-23)
C	G1K296	-	Gauge Wheel Arm Bushing and Seal Driver Kit, Includes: (1) Seal Driver, (1) Bushing Driver, (1) Instruction Sheet

(IP1581)



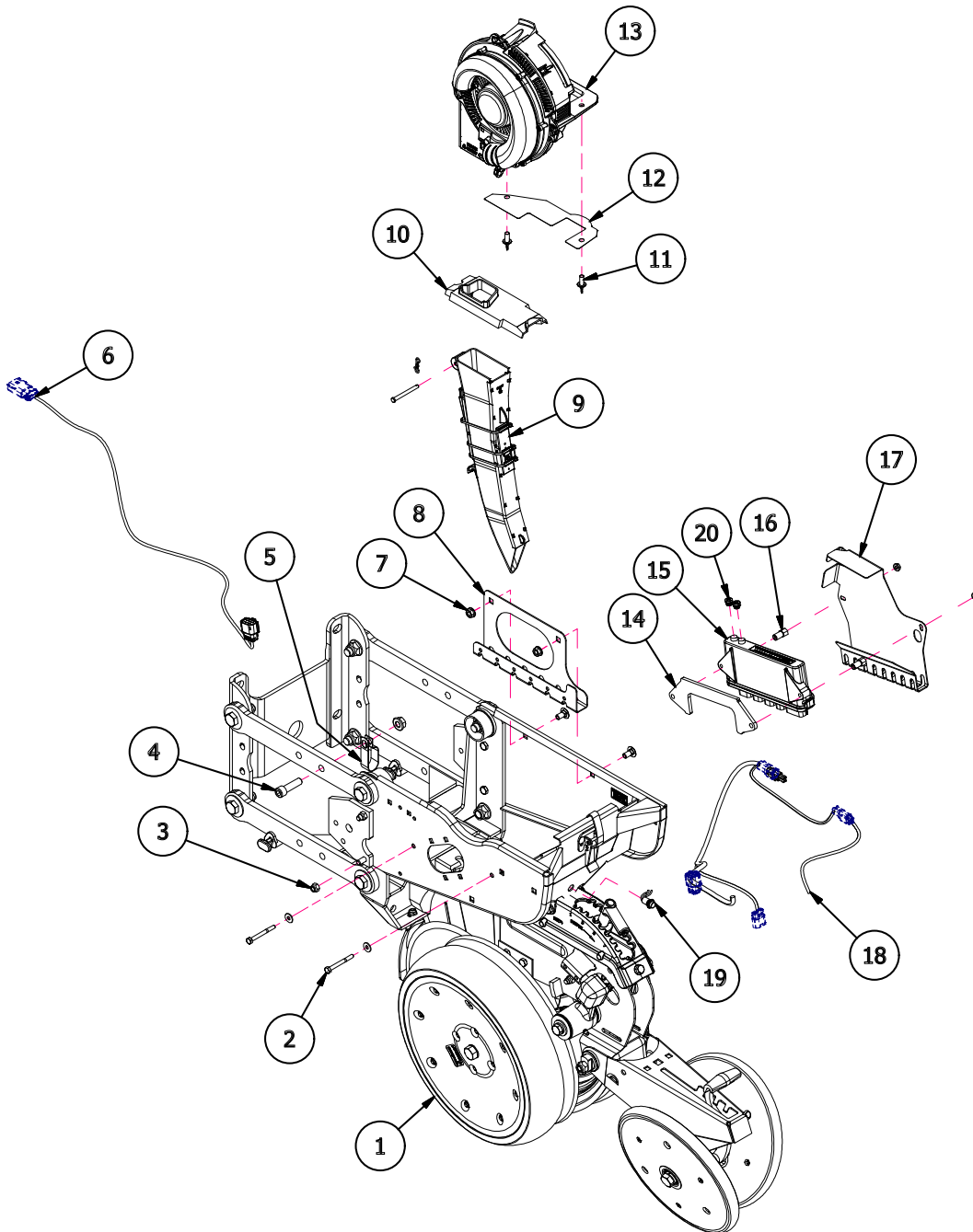
ITEM	PART NO.	QTY. (Per Row)	DESCRIPTION
1	GB0268	1	Wheel Arm Mount
2	G11387	1	Flat Washer, 3/8" SAE
3	G10001	1	Hex Head Cap Screw, 3/8"-16 x 1"
4	GA15197	1	Closing Wheel Arm
5	GB0254	1	Lever
6	G10109	1	Lock Nut, 5/16"-18, Grade 8
7	G10133	1	Hex Head Cap Screw, 5/16"-18 x 1 1/2"
8	GD8460	1	Spring
9	G10111	2	Lock Nut, 1/2"-13
10	G11419	2	Carriage Bolt, 1/2"-13 x 2 1/4"
11	GB0239	2	Eccentric Bushing
12	GB0282	2	Stepped Bushing
13	G10064	6	Hex Head Cap Screw, 1/4"-20 x 1"
14	GA6171	1	Bearing
15	GD9120	2	Nylon Half Wheel
16	GD1085	1	Rubber Tire, 1" x 12"
17	G10013	2	Hex Head Cap Screw, 5/8"-11 x 3 1/2"
18	G10230	2	Lock Washer, 5/8"
19	GD1109	2	Bushing, 4 1/4" I.D. x 7/8" O.D. x 1/4" Long
20	G11391	2	Flat Washer, 5/8" SAE
21	G10107	2	Lock Nut, 5/8"-11
22	GA6171	1	Bearing
23	G11862	1	Internal Retaining Ring
24	GD36895	1	Spiked Closing Wheel
25	GA6597	1	Cast Iron Closing Wheel W/Bearing
	GA6171	1	Bearing
26	G1K345	-	Closing Wheel Shield Kit W/Hardware and Instruction
	GD26146	1	Closing Wheel Shield (Included W/G1K345)
	G10599	1	Carriage Bolt, 3/8"-16 x 1 1/4" (Included W/G1K345)
	G10308	2	Carriage Bolt, 3/8"-16 x 3/4" (Included W/G1K345)
	G10101	3	Hex Nut, 3/8"-16 (Included W/G1K345)
	G10229	3	Lock Washer, 3/8" (Included W/G1K345)
	G11387	1	Hardened Washer, 3/8" SAE (Included W/G1K345)
A	GA6434	-	Rubber Closing Wheel Complete W/Bearing (Items 13-16)
B	GA26958	-	Spiked Closing Wheel (Items 22-24)

(IP1582)



ITEM	PART NO.	QTY. (Per Row)	DESCRIPTION
1	---	1	<a href="#">See "15" Seed Opener Disc Blade/Bearing Assembly and Scrapers" on page P7</a>
2	G10752	2	Hex Head Cap Screw, 5/8"-18 x 2 1/4"
3	G10329801	1	Hopper Support
4	GA2007	1	Hopper Hold Down Latch
5	G10309	2	Carriage Bolt, 1/4"-20 x 5/8", Grade 2
	G10621	2	Serrated Flange Nut, 1/4"-20
6	G10061	1	Hex Head Cap Screw, 3/8"-16 x 3 1/2"
	G11387	2	Flat Washer, 3/8" SAE
	G10108	1	Lock Nut, 3/8"-16
7	GB0331	1	Clutch Adapter Plate
8	G10338	2	Carriage Bolt, 5/16"-18 x 1 1/4"
	G10620	2	Serrated Flange Nut, 5/16"-18
9	G10567	1	External Retaining Ring, 5/8"
10	GD11239	1	Knob
11	GA12143	1	Double Sprocket and Bearing, Drive Clutch, 11/28 Tooth (Vacuum)
12	G10602	1	Spring Pin, 1/4" x 1 1/2"
13	GD29507	1	Clutch Shaft
14	GD11413	1	Spring
15	GB0278	1	Coupler
16	G10546	1	Spring Pin, 3/16" x 1 1/4"
17	GD17052	-	Vacuum Plug
A	GA20640	-	Seed Meter Clutch Assembly, 11/28 Tooth (Items 9-16) (Vacuum)

(IP1639)

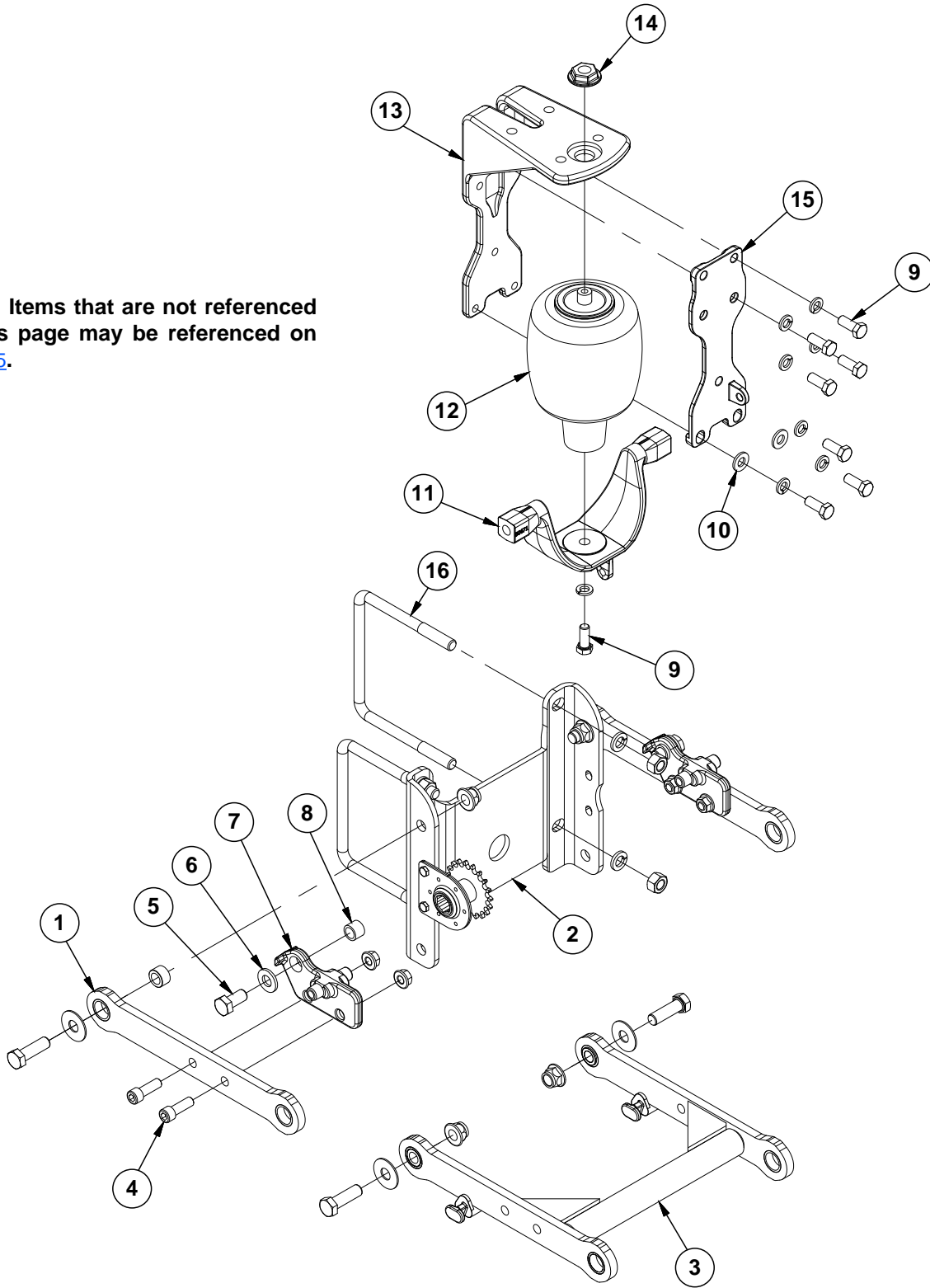




ITEM	PART NO.	QTY. (Per Row)	DESCRIPTION
1	---	-	<a href="#">See "Parallel Arms, Mounting Support Plate, and Quick Adjustable Down Force Springs Option" on page P5</a>
2	G11958	2	Hex Head Cap Screw, 1/4"-20 x 2-1/2", Grade 5
	G10621	2	Serrated Flange Nut, 1/4"-20
	G10209	2	Washer, 1/4" USS
3	G10108	1	Lock Nut, 3/8"-16
	G10003	1	Hex Head Cap Screw, 3/8"-16 x 1 1/2"
4	G10116601	1	Hex Socket Head Cap Screw, 1/2"-13 x 1-3/4"
	G10071	1	Serrated Flange Nut, 1/2"-13
5	GD36388	1	1" Double Tube Clamp, 1/2" Bolt
6	GA25029	1	Row Unit Power Extension Harness
7	G10622	2	Serrated Flange Nut, 3/8"-16
	G10308	2	Carriage Bolt, 3/8"-16 x 3/4"
8	GD35058	1	Row Unit Meter Wire Tray
9	GA20914	1	Seed Tube Sensor
10	GB0926	1	Shank Cover
11	G11009	2	Locking Thumbscrew, 5/16"-18 x 3/4"
12	GD29413	1	Hopper Shim <b>(Not used with regular hoppers)</b>
13	---	-	<a href="#">See "Vacuum Seed Meter" on page P21</a>
14	GD35629	1	IPN Row Unit Plate
15	GA25949	1	IPN Module Assembly
16	GD35609	2	Hex Standoff
17	G10146001	1	IPN Wire Shield
18	GA25038	1	Row Unit Seed Meter Harness
19	GA15485	1	Switch
20	GD30726	2	Socket Dust Cover, M12

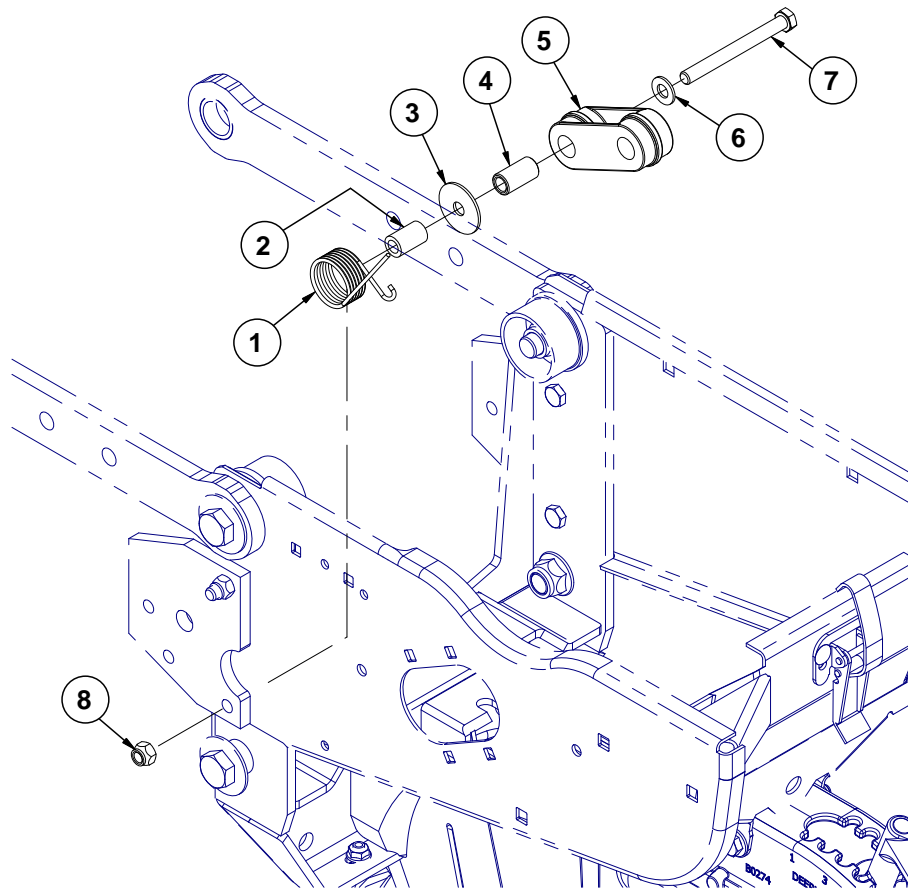
(IP1640)

**NOTE:** Items that are not referenced on this page may be referenced on [page P5](#).



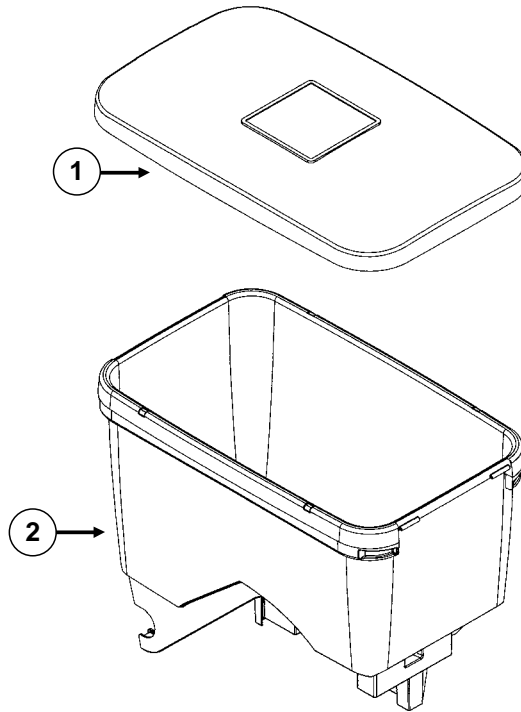
ITEM	PART NO.	QTY. (Per Row)	DESCRIPTION
1	---	-	<a href="#">See "Parallel Arms, Mounting Support Plate, and Quick Adjustable Down Force Springs Option" on page P5</a>
2	GD10036	1	Mounting Support Plate
3	---	-	<a href="#">See "Parallel Arms, Mounting Support Plate, and Quick Adjustable Down Force Springs Option" on page P5</a>
4	G11220	4	Hex Socket Cap Screw, 1/2"-13 x 1 1/2"
	G10071	4	Serrated Flange Nut, 1/2"-13
5	G11018	2	Hex Head Cap Screw, 5/8"-18 x 1 1/4"
6	G11391	2	Flat Washer, 5/8" SAE
7	GB0395	2	Bracket
8	GD3180-30	2	Sleeve, 7/8" O.D. x 5/8" I.D. x 2 1/32"
9	G10037	8	Hex Head Cap Screw, 1/2"-13 x 1 1/4"
	G10228	8	Lock Washer, 1/2"
10	G11389	2	Flat Washer, 1/2" SAE
11	GD23995	1	Saddle
12	GA11982	1	Air Spring Assembly
13	GB0396	1	Head Mount
14	GB0397	1	Shoulder Nut, 3/4"-16
15	GB0393	1	Plate
16	---	-	<a href="#">See "Parallel Arms, Mounting Support Plate, and Quick Adjustable Down Force Springs Option" on page P5</a>

(IP1583)



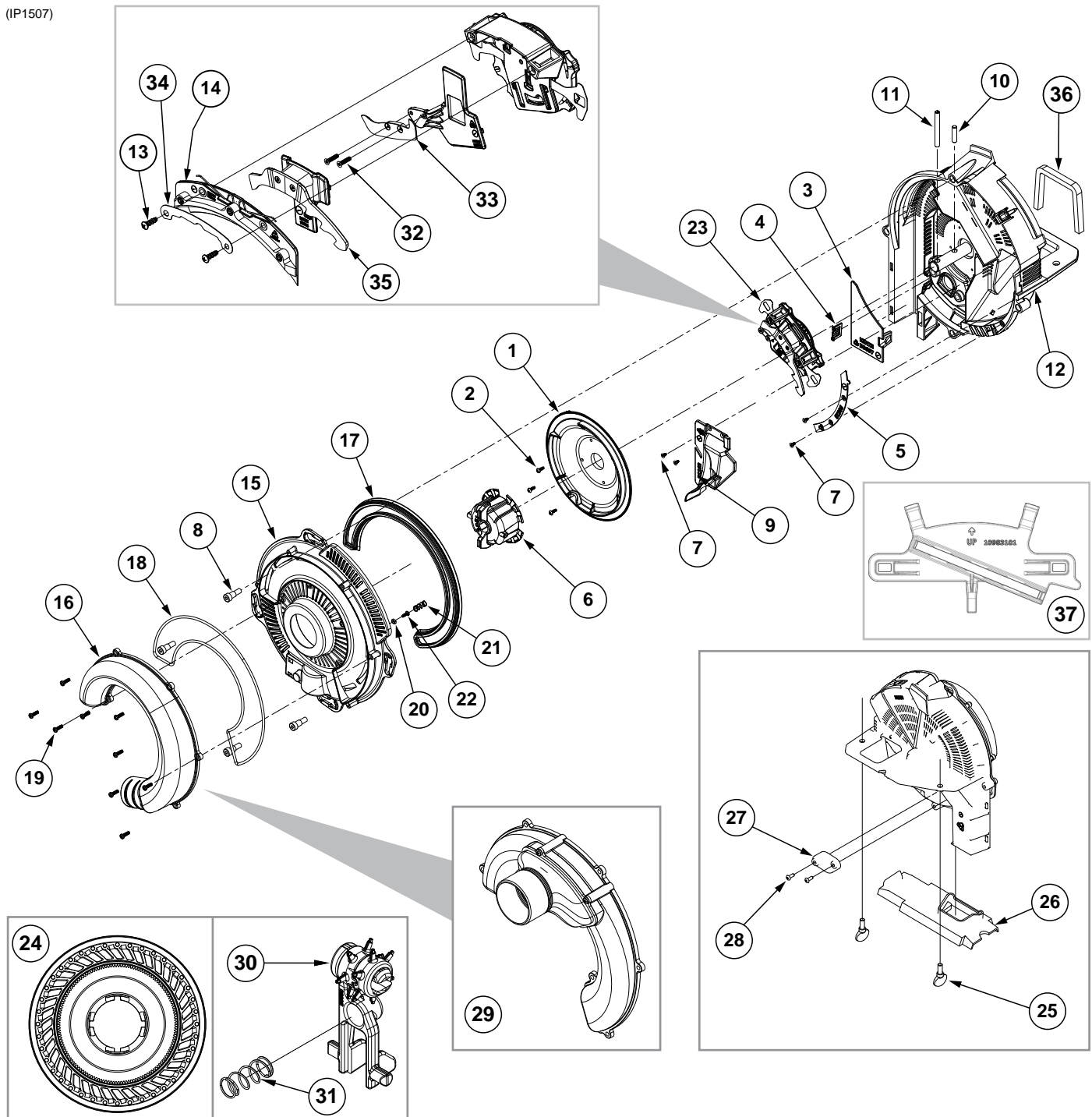
ITEM	PART NO.	QTY. (Per Row)	DESCRIPTION
1	GD1065	1	Idler Spring
2	GD7318	1	Sleeve, 1" Long
3	G10201	1	Special Washer, 3/8" x 1 1/2" O.D.
4	GD1026	1	Sleeve, 1 3/16" Long
5	GD11962	1	Idler
6	G11387	1	Flat Washer, 3/8" SAE
7	G10326	1	Hex Head Cap Screw, 3/8"-16 x 3 3/4"
8	G10108	1	Lock Nut, 3/8"-16

(METR12/RU87e)



ITEM	PART NO.	QTY.	DESCRIPTION
1	GD11279	1	Lid
2	GA24873	1	Seed Hopper (Vacuum)
	GD12561	-	Threaded Insert, 5/16"-18 (Included W/GA20254)

(IP1507)



ITEM	PART NO.	QTY.	DESCRIPTION
1	GB0815	1	Shield
2	G11619	3	Phillips Pan Head Tapping Screw, No. 6-19 x 3/8"
3	GB0697	1	Chute Cover
4	GB0780	1	Brush
5	GB0823	1	Baffle
6	GB1147	1	Disc Hub
7	G11618	4	Torx Flat Head Tapping Screw, No. 6-19 x 1/4"
8	G11172	4	Hex Socket Head Shoulder Screw, 1/4"-20 x 3/8", Stainless Steel

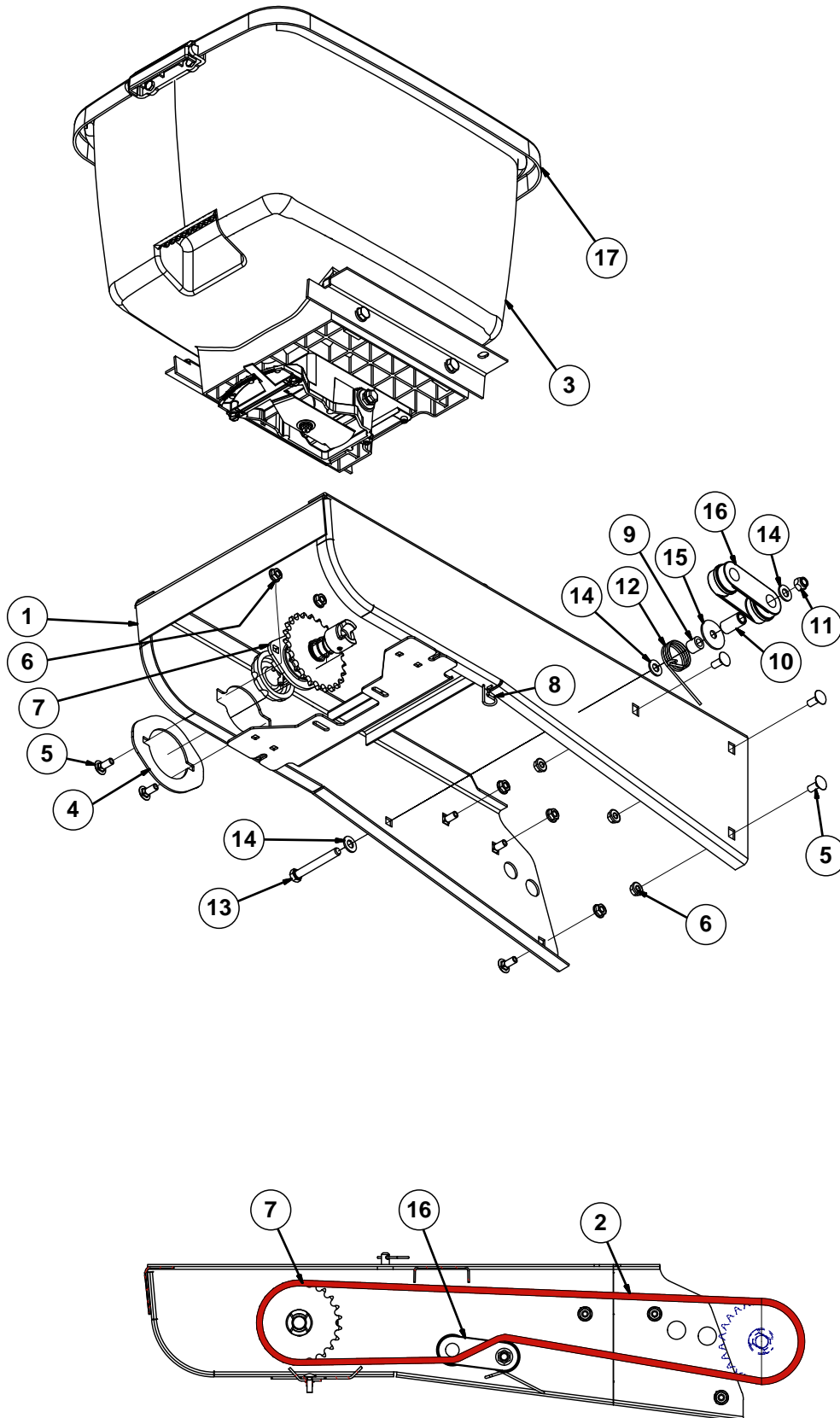
## Vacuum Seed Meter

M0311-02

Model 3505

ITEM	PART NO.	QTY.	DESCRIPTION
9	GA24878	1	Brush Assembly
10	G11448	1	Pin, ¼" x 1"
11	G10475	1	Spring Pin, ¼" x 2¼"
12	GA24877	1	Meter Housing W/Bearing
13	G11578	2	Phillips Pan Head Tapping Screw, No. 8-18 x ½"
14	GA24676	1	Singulator Guide Assembly
15	GB0920	1	Cover
16	GB0818	1	Vacuum Port, Pull Row Unit
17	GB0676	1	Lip Seal
18	GD26593	1	Gasket Housing
19	G11556	9	Phillips Pan Head Tapping Screw, 6-19 x ½"
20	GB0907	1	Retainer Spring
21	G10483101	1	Compression Spring
22	G11619	1	Phillips Pan Head Tapping Screw, No. 6-19 x ⅜"
23	GA24752	1	Singulator Assembly (Includes Items 13 and 14)
24	G11152X	-	Seed Disc, Corn, 40 Cell, Light Blue Color-Coded, Ejector Wheel, and Spring
	G11046X	-	Seed Disc, Rapeseed, 83 Cell, Ejector Wheel, and Spring
	G11042X	-	Seed Disc, Wheat, 54 Cell, Ejector Wheel, and Spring
	G11332X	-	Seed Disc, Wheat, 231 Cell, Red Color-Coded, Ejector Wheel, and Spring
	G11047X	-	Seed Disc, Soybean, 120 Cell, Black Color-Coded, Ejector Wheel, and Spring
	G11048X	-	Seed Disc, Soybean, 60 Cell, Black Color-Coded, Ejector Wheel, and Spring
	G11154X	-	Seed Disc, Sugar Beets/Milo, Dark Orange Color-Coded, Ejector Wheel, and Spring
	G11153X	-	Seed Disc, Sunflower, 40 Cell, Gray Color-Coded, Ejector Wheel, and Spring
	G11105X	-	Seed Disc, Cotton, 60 Cell, Green Color-Coded, Ejector Wheel, and Spring
	G11106X	-	Seed Disc, Black Turtle and Navy Edible Bean and Popcorn, 60 Cell, Brown Color-Coded, Ejector Wheel, and Spring
	G11107X	-	Seed Disc, Pinto and Great Northern Edible Beans and Low-Rate Soybean, 60 Cell, Dark Blue Color Coded, Ejector Wheel, and Spring
25	G11009	2	Locking Thumbscrew, ⅝"-18 x ¾"
26	GB0926	1	Shank Cover
27	GD28631	1	Cover Plate
28	G11281	2	Hex Button Head Cap Screw, 10-24 x ½"
29	GA20111	1	Vacuum Port, Push Row Unit
30	G10665101	-	Ejector Arm, Corn
	G10483401	-	Ejector Arm, Soybean (120 Cell)
	G10483201	-	Ejector Arm, Soybean (60 Cell)
	G10665001	-	Ejector Arm, Sunflower
	G10664901	-	Ejector Arm, Beets/Milo
	G10614301	-	Ejector Arm, Black Turtle, Navy, Pinto, and Great Northern Edible Bean, Popcorn, and Low-Rate Soybean, Cotton
	GA25550	-	Ejector Arm, Rapeseed
	GA26989	-	Ejector Arm, Wheat (54 Cell)
	G10936101	-	Ejector Arm, Wheat (231 Cell)
31	G10483101	-	Compression Spring
32	G11693	2	Torx Flat Head Machine Screw, No. 4-40 x ½"
33	GB0921	1	Lower Blade
34	GD29657	1	Retainer
35	GB0958	1	Outer Blade
36	GD34774	1	Meter Gasket
37	G10983301	1	Wheat Brush Singulator
	G10983101	1	Wheat Brush Mount (Included W/G10983301)
	G10983201	1	Brush (Included W/G10983301)
A	G9903X	-	Vacuum Meter Assembly, Pull Row Unit (Excludes Items 24 and 29-31)
B	G9897X	-	Vacuum Meter Assembly, Push Row Unit (Excludes Items 16, 24, and 30-31)
C	GA20622	-	Cover Assembly (Items 15-22)

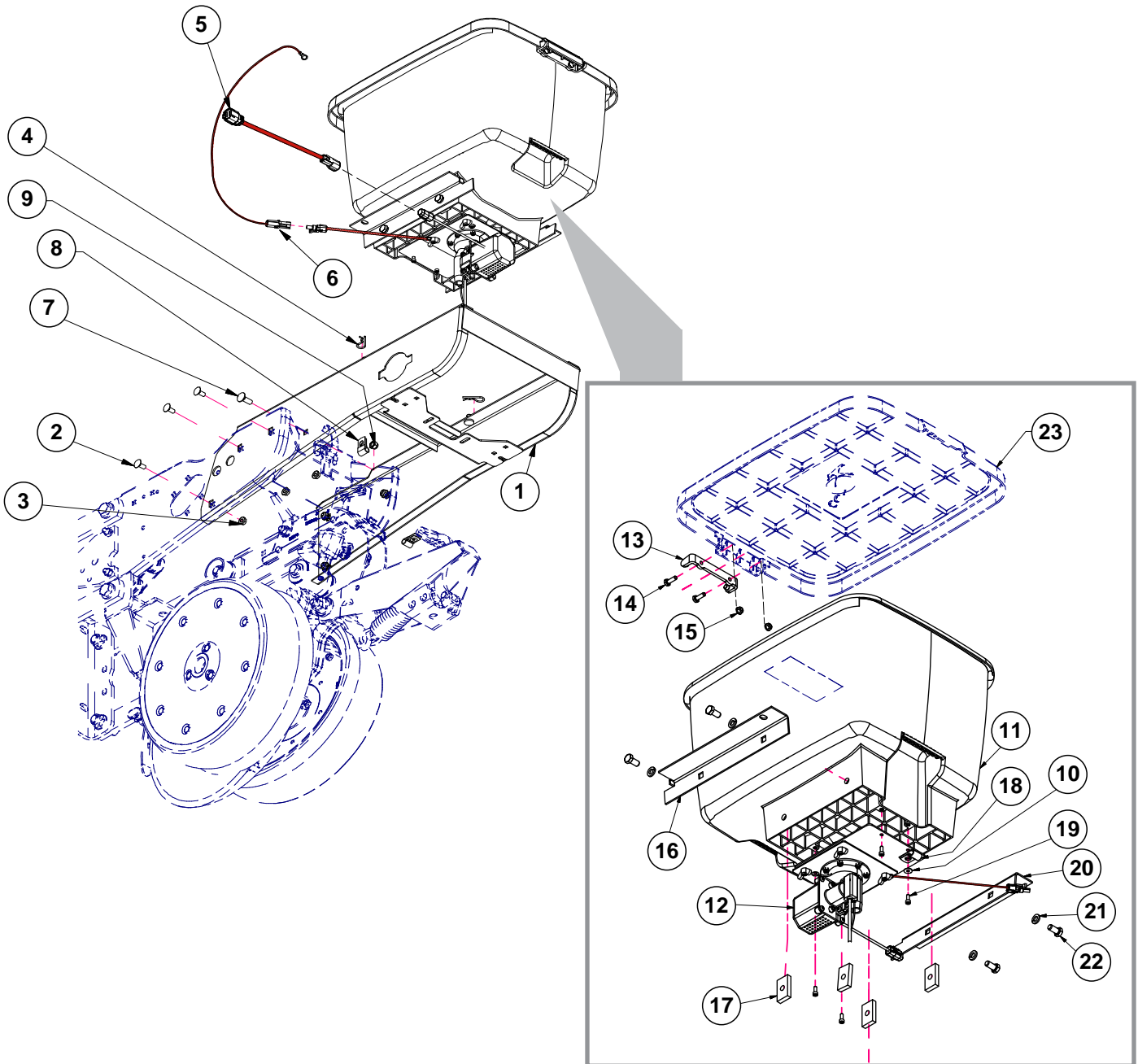
(A26370/A26319)





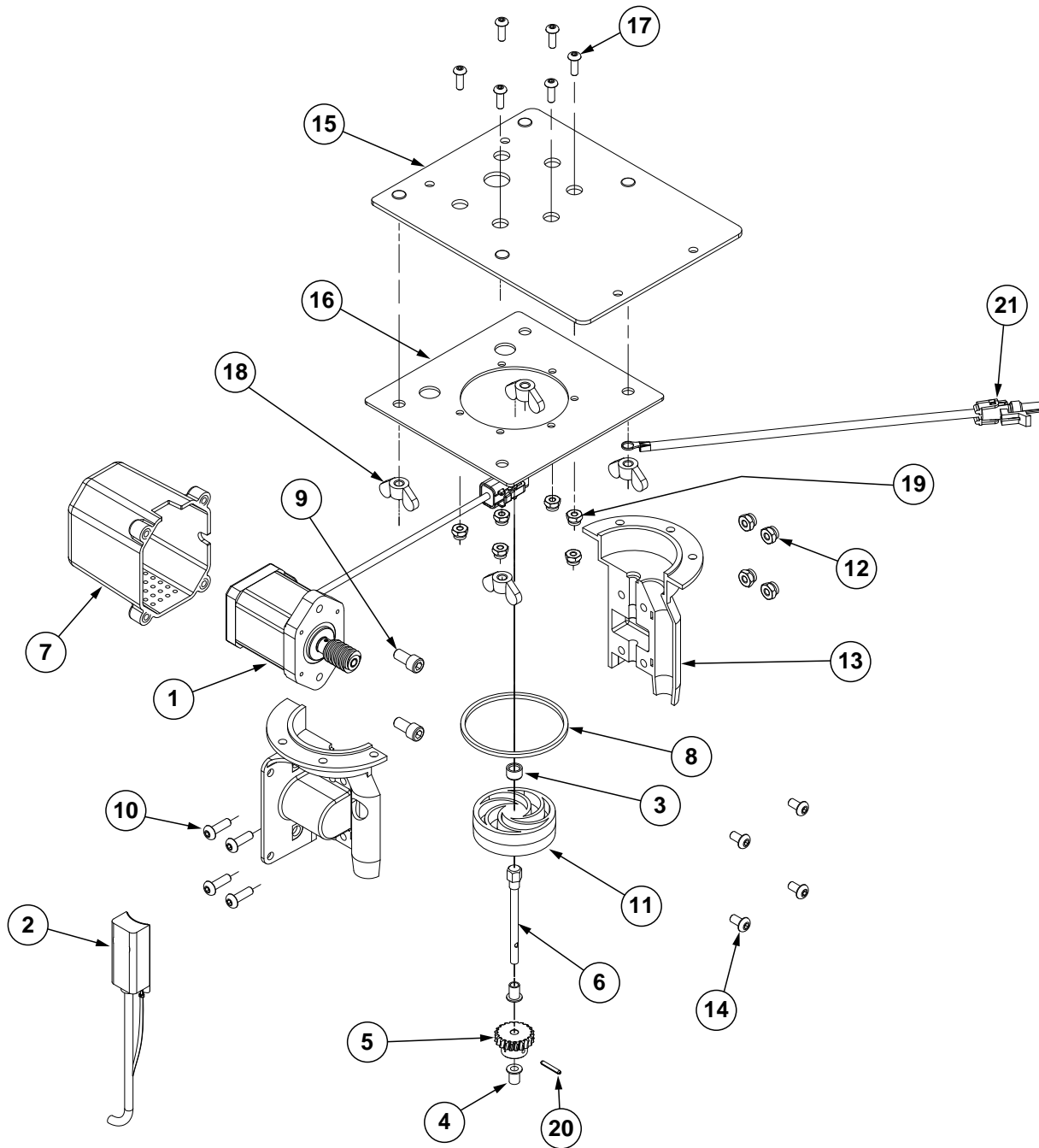
ITEM	PART NO.	QTY. (Per Row)	DESCRIPTION
1	GA26287	1	Chemical Hopper Support
2	G3303-108	1	Chain, No. 41, 108 Pitch Including Connector Link ( <b>Vacuum</b> )
3			<a href="#">See "Granular Chemical Hopper and Hopper Panel Extension" on page P30</a> <a href="#">See "Granular Chemical Meter and Meter Drive" on page P29</a>
4	GD11305	1	Clutch Mount Plate
5	G10312	8	Carriage Bolt, 5/16"-18 x 3/4"
6	G10620	8	Serrated Flange Nut, 5/16"-18
7	GA8366	1	Chemical Meter Clutch
8	G10670	2	Hair Pin Clip, No. 3
9	GD2971-10	1	Sleeve, 9/16" Long
10	GD1026	1	Sleeve, 1 3/16"
11	G10108	1	Lock Nut, 3/8"-16
12	GD11219	1	Torsion Spring
13	G10325	1	Hex Head Cap Screw, 3/8"-16 x 2 3/4"
14	G11387	3	Hardened Washer, 3/8" SAE
15	G10201	1	Special Washer, 3/8" x 1 1/2" O.D.
16	GD11962	1	Idler
17	GA4444	-	Insecticide Lid

(A26335/A27180)



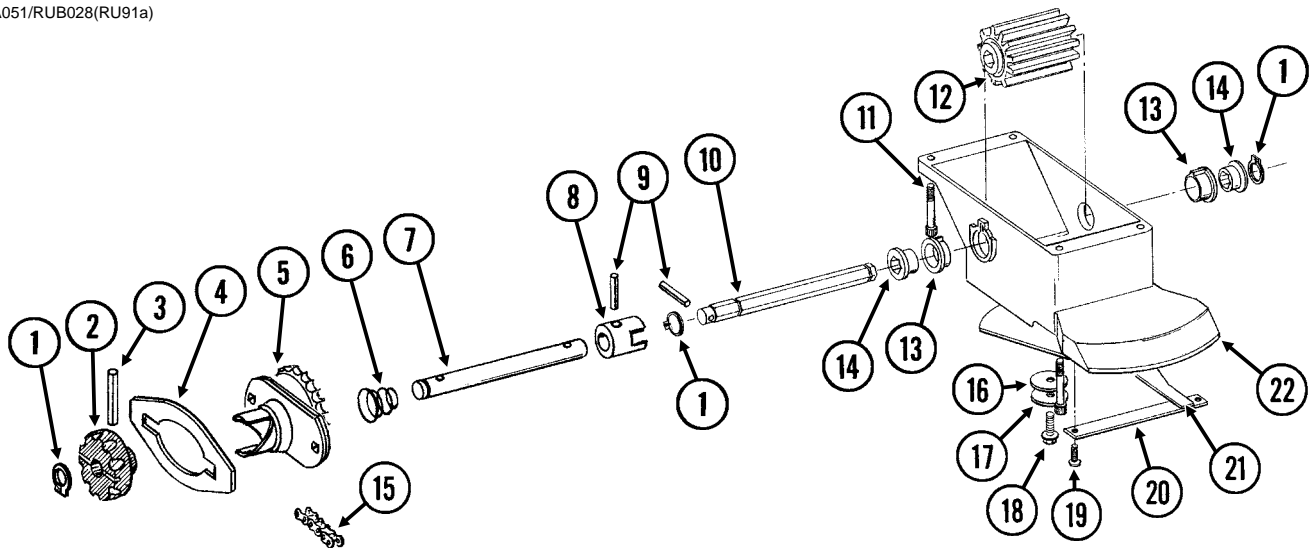
ITEM	PART NO.	QTY. (Per Row)	DESCRIPTION
1	GA26287	1	Chemical Hopper Support
2	G10312	6	Carriage Bolt, 5/16"-18 x 3/4"
3	G10620	6	Serrated Flange Nut, 5/16"-18
4	G10670	2	Hair Pin Clip, No. 3
5	GA22522	1	Insecticide Harness
6	GA20712	1	Row Unit ESD Drain Harness
7	G10305	1	Hex Head Cap Screw, 3/8"-16 x 1"
8	GD6291	1	Insulated Clamp, 3/8"
9	G10108	1	Lock Nut, 3/8"-16
11	GA8371	1	Chemical Hopper Assembly
12	GA26331	1	Insecticide Meter Assembly
13	GD1060	1	Hinge Bracket
14	G10023	2	Hex Head Cap Screw, 1/4"-20 x 3/4"
15	G10621	2	Serrated Flange Nut, 1/4"-20
16	GD1059R	1	Support
17	GD11424	4	Block
18	GD6291	1	Insulated Clamp, 3/8"
19	G11998	4	Hex Head Cap Screw, 10-24 x 1/2", Self-Locking, Yellow Loctite
20	GD1059L	1	Support
21	G10229	4	Lock Washer, 3/8"
22	G10002	4	Hex Head Cap Screw, 3/8"-16 x 3/4"
23	GA4444	-	Insecticide Lid

(A26331)



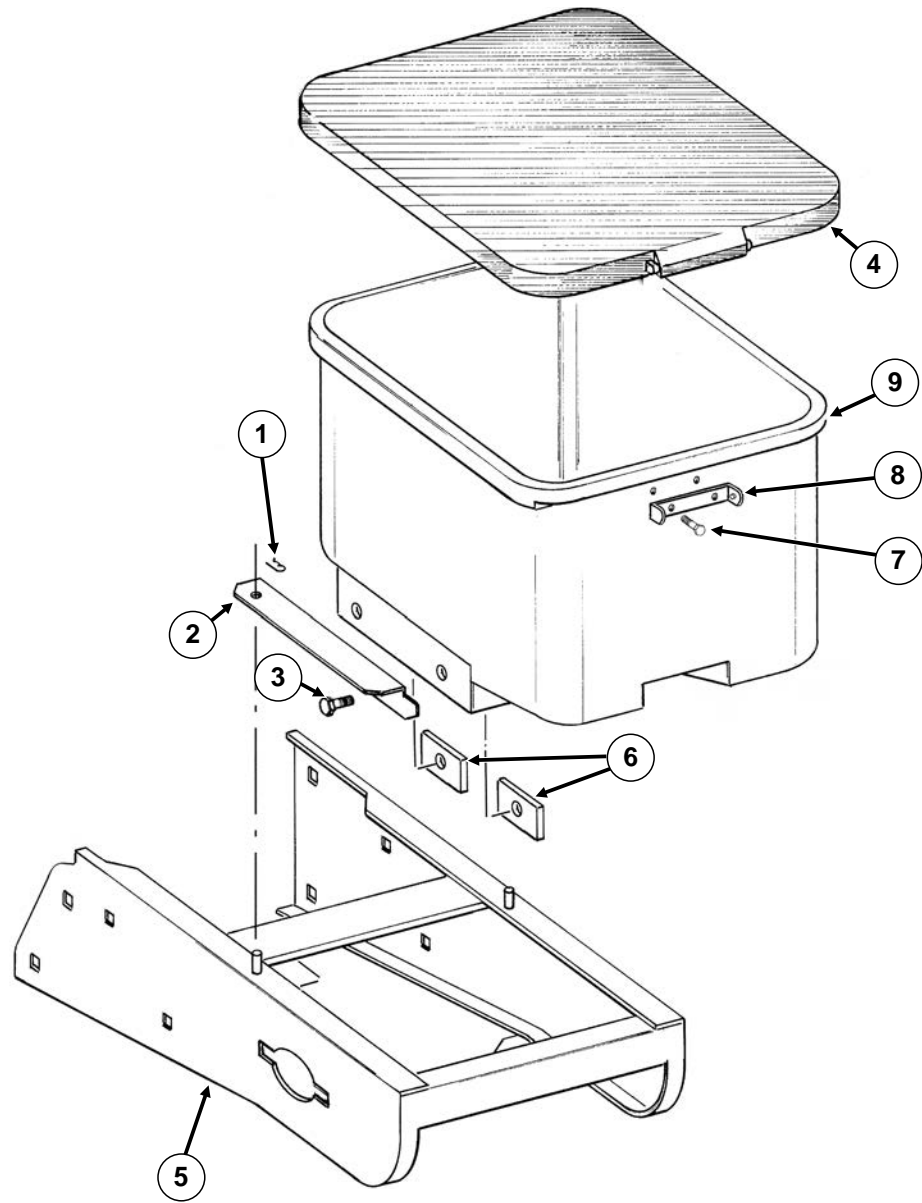
ITEM	PART NO.	QTY. (Per Row)	DESCRIPTION
1	GA15473	1	Step Motor, 3.5 AMP
2	GA24364	1	Flow Sensor
3	GD22695	1	Bearing Sleeve, $\frac{3}{8}$ " O.D. x $\frac{1}{4}$ " I.D. x $\frac{1}{4}$ "
4	GD22696	2	Flange Bearing, $\frac{1}{4}$ " O.D. x $\frac{3}{16}$ " I.D. x $\frac{3}{8}$ "
5	GD29492	1	Gear
6	GD29491	1	Drive Shaft
7	GB0577	1	Motor Cover
8	GD28515	1	O-Ring
9	G10260	2	Hex Socket Head Cap Screw, $\frac{1}{4}$ "-20 x $\frac{1}{2}$ "
10	G11447	4	Hex Button Head Cap Screw, #10-24 x $\frac{5}{8}$ "
11	GB0579	1	Insecticide Impeller
12	G11445	4	Hex Locknut, #10-24
13	GA18195	1	Insecticide Housing
14	G10261	4	Hex Button Head Cap Screw, #10-32 x $\frac{3}{8}$ "
15	GA26330	1	Insecticide Mount
16	GD36333	1	Insecticide Motor Mount Plate
17	GR1292	6	Hex Socket Button Head Cap Screw, No. 8-32 x $\frac{1}{2}$ "
18	G10531	4	Wing Nut W/Nylon Insert, $\frac{1}{4}$ "-20
19	G11202	6	Lock Nut W/Nylon Insert, No. 8-32, Stainless Steel
20	G11687	1	Spring Slot Pin
21	GA20710	2	Granular Chemical Motor ESD Drain Harness

RUA051/RUB028(RU91a)



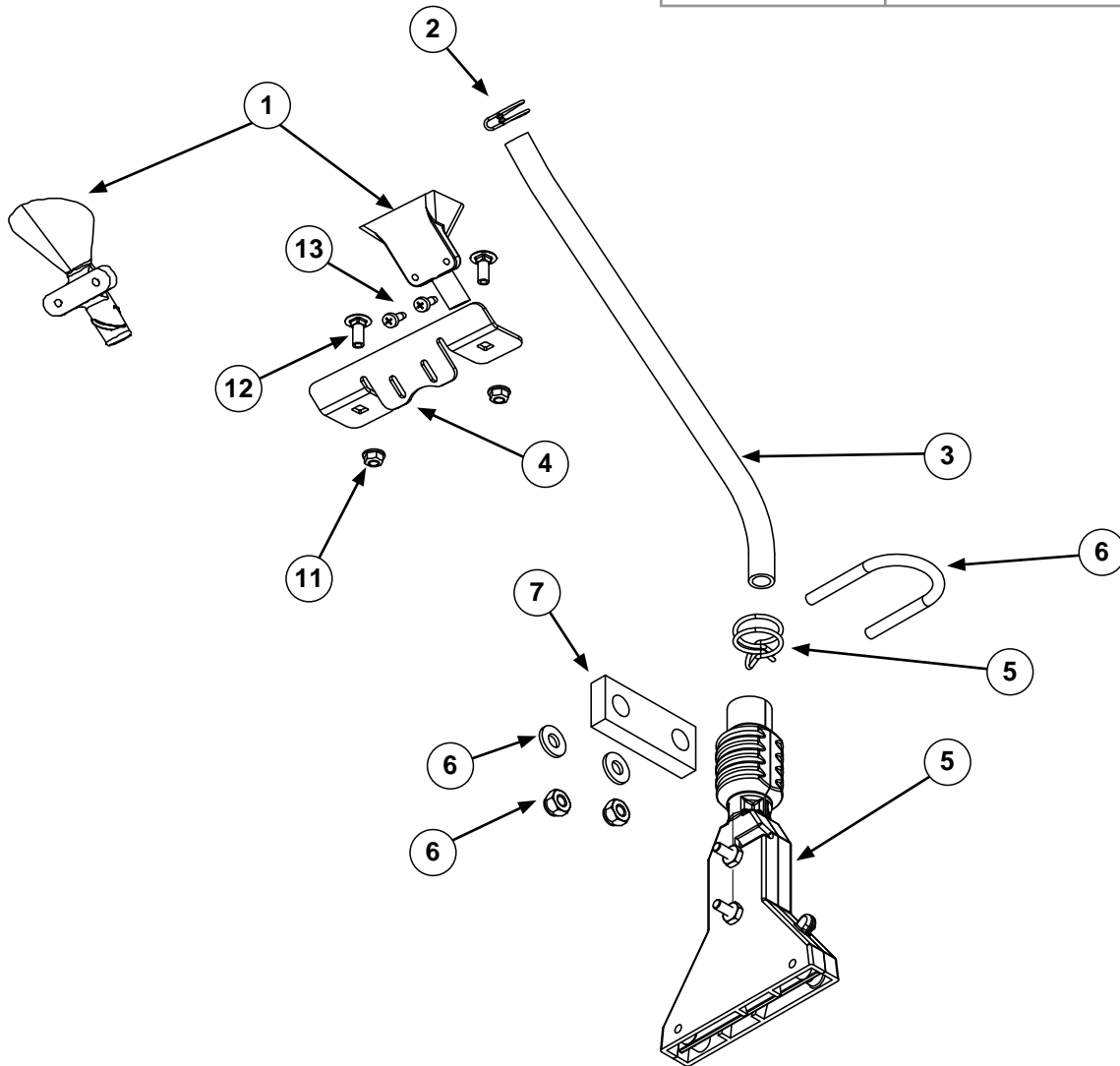
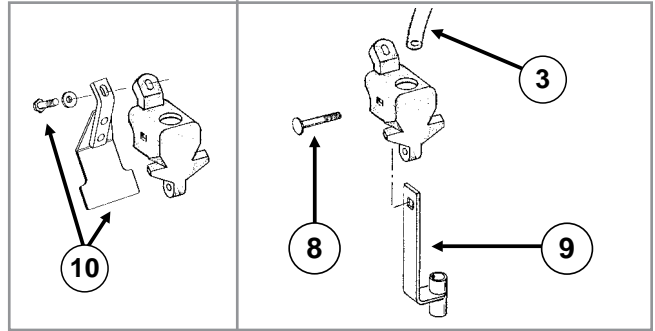
ITEM	PART NO.	QTY. (Per Row)	DESCRIPTION
1	G10567	3	External Retaining Ring, 5/8"
2	GD11239	1	Knob
3	G10602	1	Spring Pin, 1/4" x 1 1/2"
4	GD11305	1	Clutch Mount Plate
5	GA8364	1	Sprocket And Bearing, Drive Clutch, 24 Tooth
6	GD11413	1	Spring
7	GD11240	1	Shaft
8	GB0278	1	Coupler
9	G10546	2	Spring Pin, 3/16" x 1 1/4"
10	GD11297	1	Shaft
11	G11793	4	Hex Socket Head Cap Screw, No. 10-24 x 7/8"
12	GD7148	1	Feed Roller, Hex Bore
13	GB0115	2	Bearing
14	GD7258	2	Hex Bushing
15	G3303-114	1	Chain, No. 41, 108 Pitch Including Connector Link (Vacuum)
	GR0196	1	Connector Link, No. 41
16	G10660	1	Wave Washer, 1/2"
17	G11385	1	Flat Washer, 1/4" SAE
18	G10570	1	Slotted Hex Self-Tapping Screw, 1/4"-20 x 3/4"
19	G11073	2	Slotted Hex Self-Tapping Screw, No. 10 x 3/8"
20	GD1061	1	Support Strap
21	GD1063	1	Metering Gate
22	GB0116	1	Granular Housing
A	GA8326	-	Granular Chemical Meter Complete (Items 1, 9, 10, 12-14 And 16-22)
B	GA8366	-	Granular Chemical Meter Clutch (Items 1-3 and 5-9)

(METR14d)



ITEM	PART NO.	QTY. (Per Row)	DESCRIPTION
1	G10670	2	Hair Pin Clip, No. 3
2	GD1059L	1	Support, L.H. (Shown)
	GD1059R	1	Support, R.H.
3	G10002	4	Hex Head Cap Screw, 3/8"-16 x 3/4"
	G10229	4	Lock Washer, 3/8"
4	GA4444	1	Lid
5	GA26287	1	Hopper Panel Extension <b>(Non-Stock Item)</b>
6	GD11424	4	Block
7	G10023	2	Hex Head Cap Screw, 1/4"-20 x 3/4"
	G10621	2	Serrated Flange Nut, 1/4"-20
8	GD1060	1	Hinge
9	GA8371	1	Hopper

(A26370/A27180)

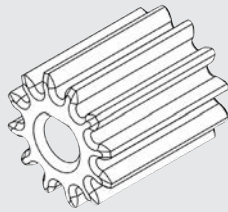




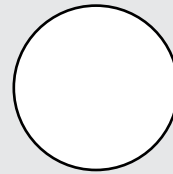
ITEM	PART NO.	QTY.	DESCRIPTION
1	GD2423 or GD29423	1	Funnel ( <b>Ground Contact Drive</b> )
2	G11209	1	Funnel, Anti-Static ( <b>Blue Drive</b> )
3	G11209	1	Wire Hose Clamp, ¾"
3	GD2947	1	Hose, 7/16" x 28"
4	GD36277 or GD26803	1	Funnel Mount ( <b>Ground Contact Drive</b> )
5	GA6906	1	Funnel Mount ( <b>Blue Drive</b> )
5	G10864	1	Granular Chemical Bander
5	G10757	2	Uni-Clamp
5	G10758	2	Pan Head Screw, No. 10-32 x 1¼"
5	G10758	2	Hex Nut, No. 10-32
6	GD10963	1	U-Bolt, 1½" x 1⅝" x ¼"-20
6	G11385	2	Flat Washer, ¼" SAE
6	G10110	2	Lock Nut, ¼"-20, Grade B
7	GD10984	1	Spacer
8	G10315	1	Carriage Bolt, ½"-13 x 2½" (Replaces Existing ½" x 2¼" Hardware)
9	GA6741	1	Bracket (Straight Drop In-Furrow)
10	G1K385	-	Bander Shield Kit W/Hardware And Instruction Sheet
10	G10003	1	Hex Head Cap Screw, ⅜"-16 x 1½" (Included W/G1K385)
10	G11387	1	Flat Washer, ⅜" SAE (Included W/G1K385)
11	G10621	2	Serrated Flange Nut, ¼"-20
12	G10310	2	Carriage Bolt, ¼"-20 x ¾", Grade 2
13	G10966	2	Phillips Head Self-Tapping Screw, No. 10 x 1/2"
A	GA7270	-	Bander Assembly (Includes all items under Item 5)



1



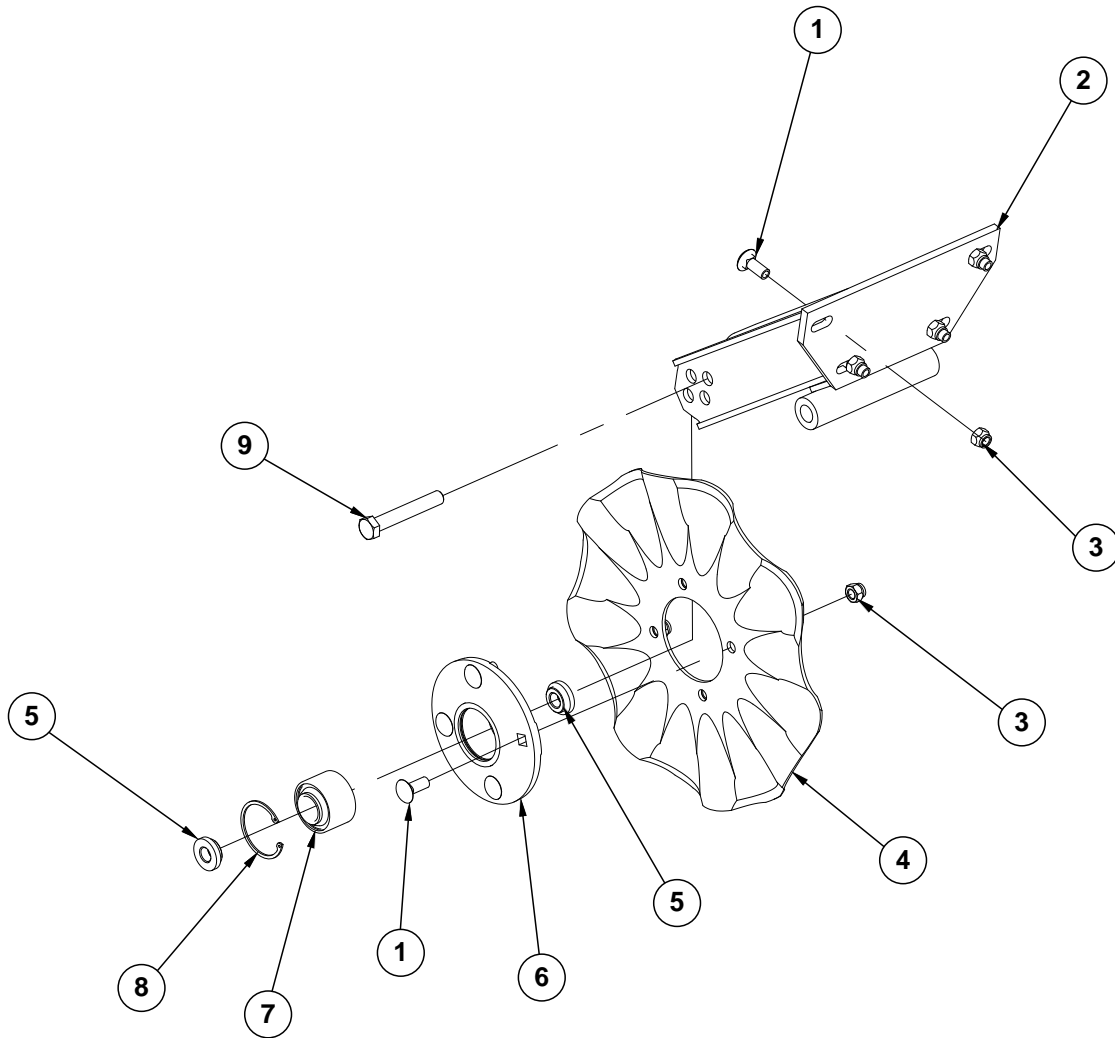
2



3

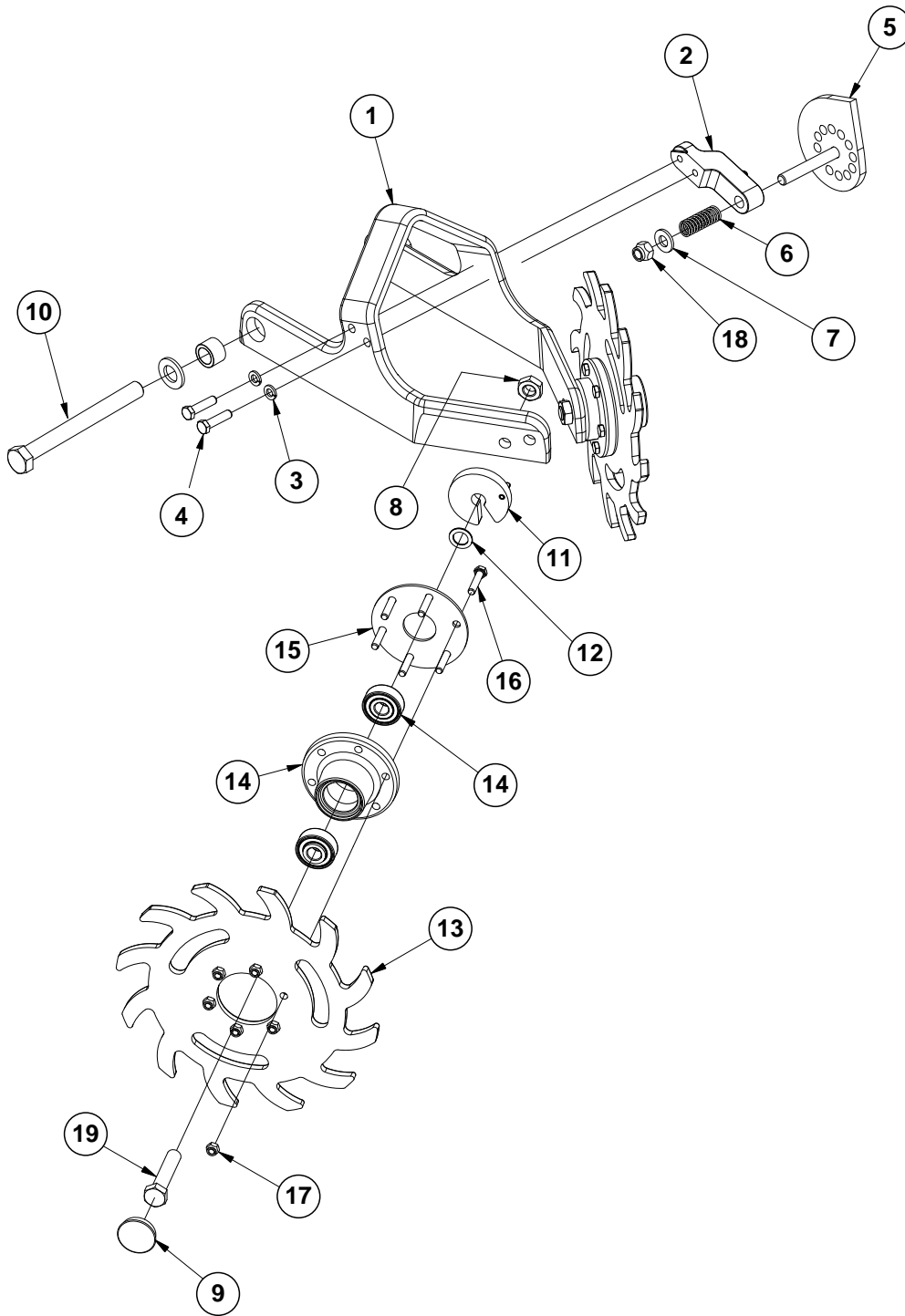
ITEM	PART NO.	QTY.	DESCRIPTION
1	G1K728	-	Seed Meter Stepper Motor Pinion Press Kit, Includes: (1) 1/2 Ton Arbor Press W/ Anvil, (1) Ring Puller W/Set Screw, (1) Instruction Sheet
2	GB1190	-	Pinion Motor Gear
3	G7100-614	-	Shaft Seal

(IP1279)



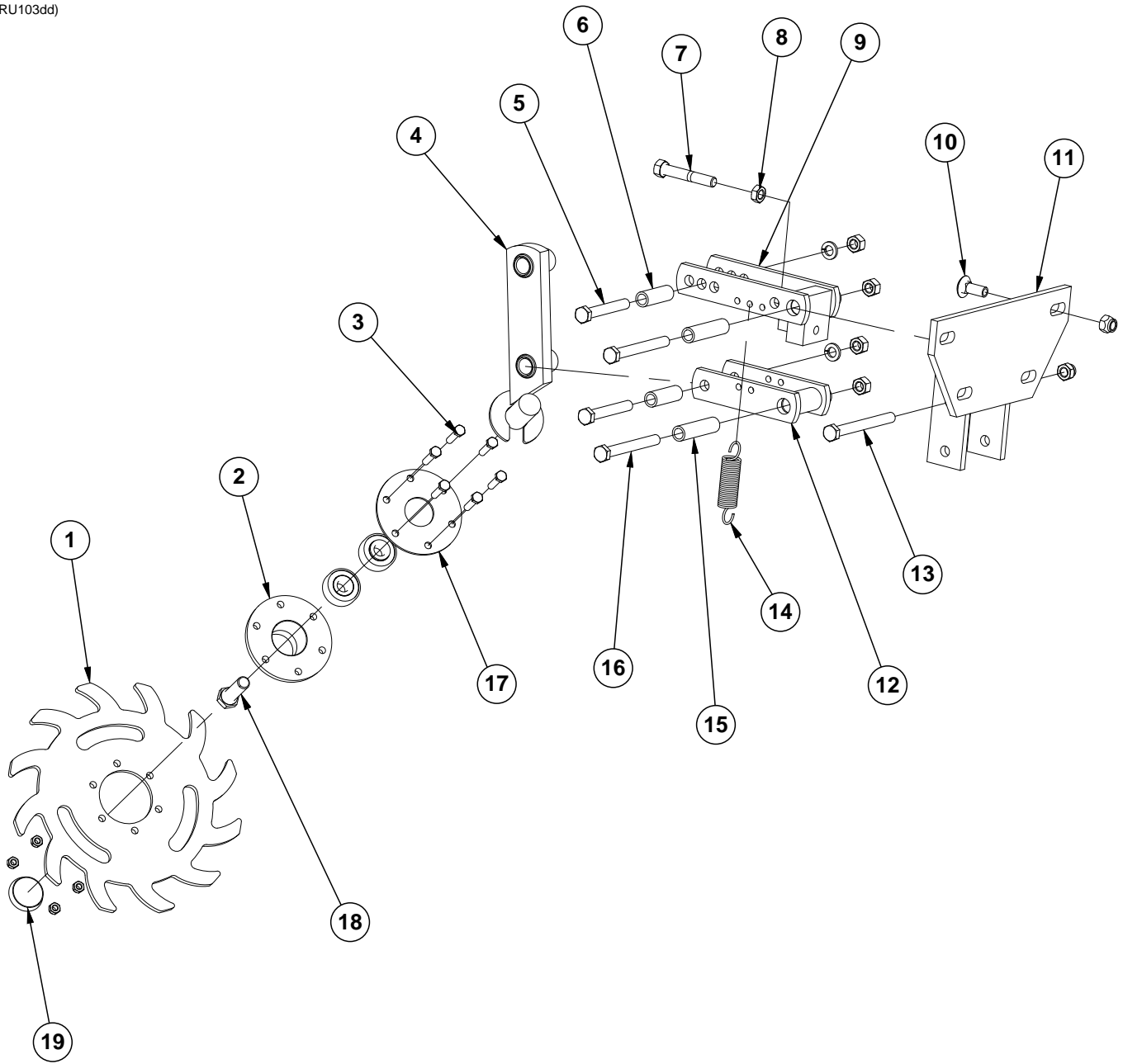
ITEM	PART NO.	QTY. (Per Row)	DESCRIPTION
1	G10574	8	Carriage Bolt, 1/2"-13 x 1 1/4"
2	GA24239	1	Arm
3	G10111	8	Lock Nut, 1/2"-13
4	GD7803	1	Disc Blade, Fluted, 1", 8 Flutes (Shown)
	GD7804	-	Disc Blade, Bubbled, 1"
	GD9254	-	Disc Blade, Fluted, 3/4", 13 Flutes
5	GD11677	2	Adapter
6	GA8641	1	Hub W/Bearing And Retaining Ring (Includes items 7 and 8)
7	GA8603	1	Bearing, Double Row
8	GD19292	1	Retaining Ring (Square), 2 7/16"
9	G10036	1	Hex Head Cap Screw, 5/8"-11 x 4"
	G10107	1	Lock Nut, 5/8"-11

(IP1468)



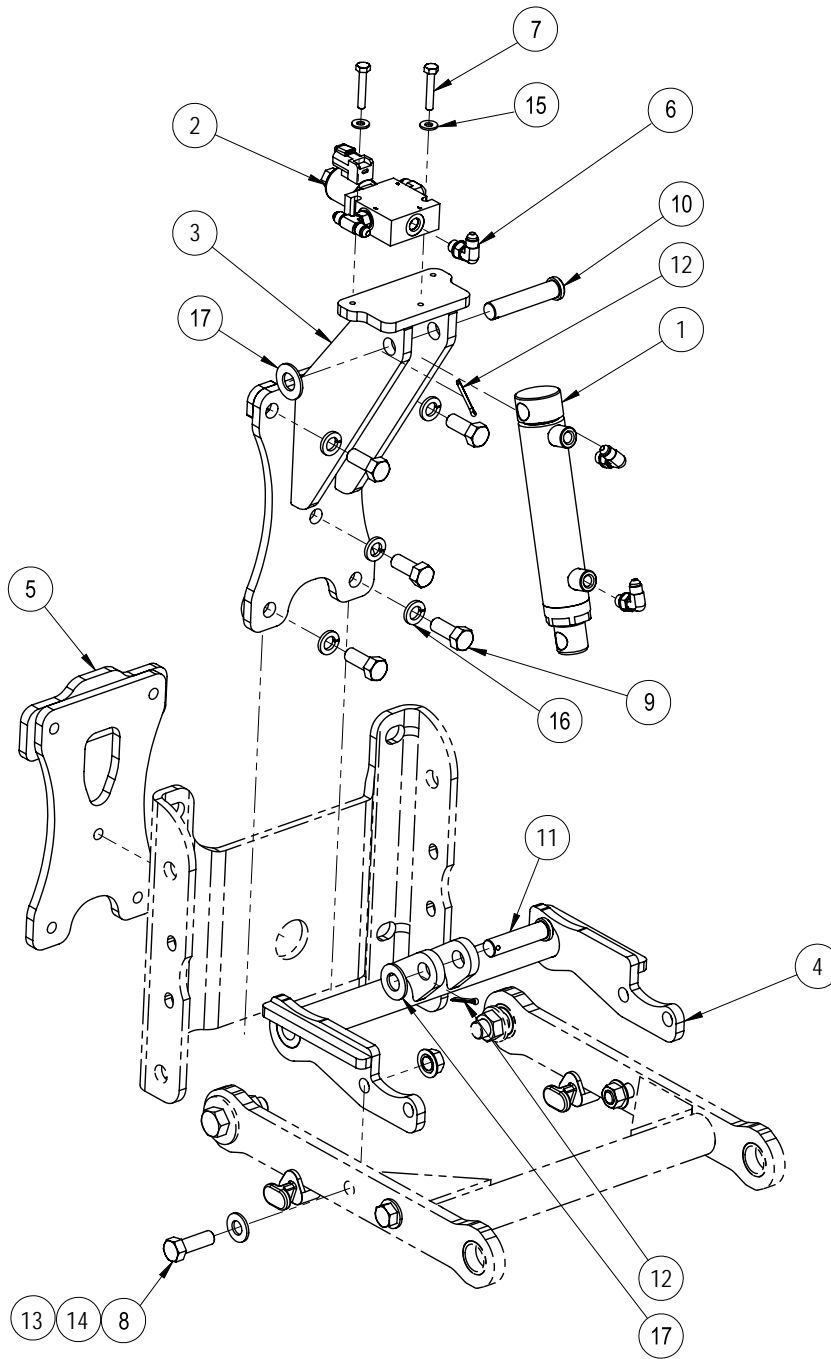
ITEM	PART NO.	QTY. (Per Row)	DESCRIPTION
1	GB0464	1	Residue Wheel Mount
2	GD26973	1	Cam Locking Pin
3	G10229	2	Lock Washer, 3/8"
4	G10004	2	Hex Head Cap Screw, 3/8"-16 x 1 1/4"
5	GA27038	1	Row Cleaner Cam
6	GD10519	1	Spring
7	G11389	1	Flat Washer, 1/2" Plated SAE
8	G10503	2	Hex Jam Nut, 5/8"-11, Grade 2
9	GD1132	2	Dust Cap
10	G11236	1	Hex Head Cap Screw, 3/4"-10 x 10 1/2"
	G11392	2	Flat Washer, 3/4" SAE
	GB0383	2	Bushing, 1 1/8" O.D. x 25/32" I.D. x 3/4" Long
	G11228	1	Lock Nut, 3/4"-10
11	GA8760	2	Weed Guard W/Spring Pin
	G10765	-	Spring Pin, 1/4" x 1" (Included W/GA8760)
12	GD30725	4	Machine Bushing, 5/8" (.030" Thick)
13	GB0387	2	Wheel, 12 Tine, 3/8" x 12"
14	GA5654	2	Hub W/Bearings
	GA2014	-	Bearing (Included W/GA5654)
15	GD9724	2	Backing Plate
16	G10133	12	Hex Head Cap Screw, 5/16"-18 x 1 1/2"
17	G10109	12	Lock Nut, 5/16"-18, Grade 8
18	G10974	1	Lock Nut W/Nylon Insert, 1/2"-13
19	G10010	2	Hex Head Cap Screw, 5/8"-11 x 3"
A	GA12235	-	L.H. Residue Wheel (Items 13-17)
B	GA12236	-	R.H. Residue Wheel (Items 13-17)

(RU103dd)



ITEM	PART NO.	QTY. (Per Row)	DESCRIPTION
1	GB0387	1	Wheel, 12 Tine, 3/8" x 12"
2	GA5654	1	Hub W/Bearings
	GA2014	-	Bearing
3	G10133	6	Hex Head Cap Screw, 5/16"-18 x 1 1/2"
	G10109	6	Lock Nut, 5/16"-18, Grade 8
4	GA6838	1	Wheel Mount
5	G10033	2	Hex Head Cap Screw, 1/2"-13 x 3 1/2"
	G10228	2	Lock Washer, 1/2"
	G10102	2	Hex Nut, 1/2"-13
6	GD9720	2	Spacer, 1/2" x 2 3/16" Long
7	G10371	1	Hex Head Cap Screw, 1/2"-13 x 3", Full Thread
8	G10501	1	Hex Jam Nut, 1/2"-13, Grade 2
9	GA6833	1	Upper Link
10	G10574	4	Carriage Bolt, 1/2"-13 x 1 1/4"
	G10111	4	Lock Nut, 1/2"-13
11	GA6832	1	Mount
12	GA6834	1	Lower Link
13	G10348	1	Hex Head Cap Screw, 1/2"-13 x 5" (Lockup Bolt)
	G10111	1	Lock Nut, 1/2"-13
14	GD5857	2	Spring
15	GD9715	2	Spacer, 1/2" x 3" Long
16	G10045	2	Hex Head Cap Screw, 1/2"-13 x 4 1/2"
	G10228	2	Lock Washer, 1/2"
	G10102	2	Hex Nut, 1/2"-13
17	GD9724	1	Backing Plate
18	G10006	1	Hex Head Cap Screw, 5/8"-11 x 2 1/4"
19	GD1132	1	Dust Cap
A	GA12236	-	Wheel Assembly, 12 Tine, R.H. (Items 1-3 and 18)

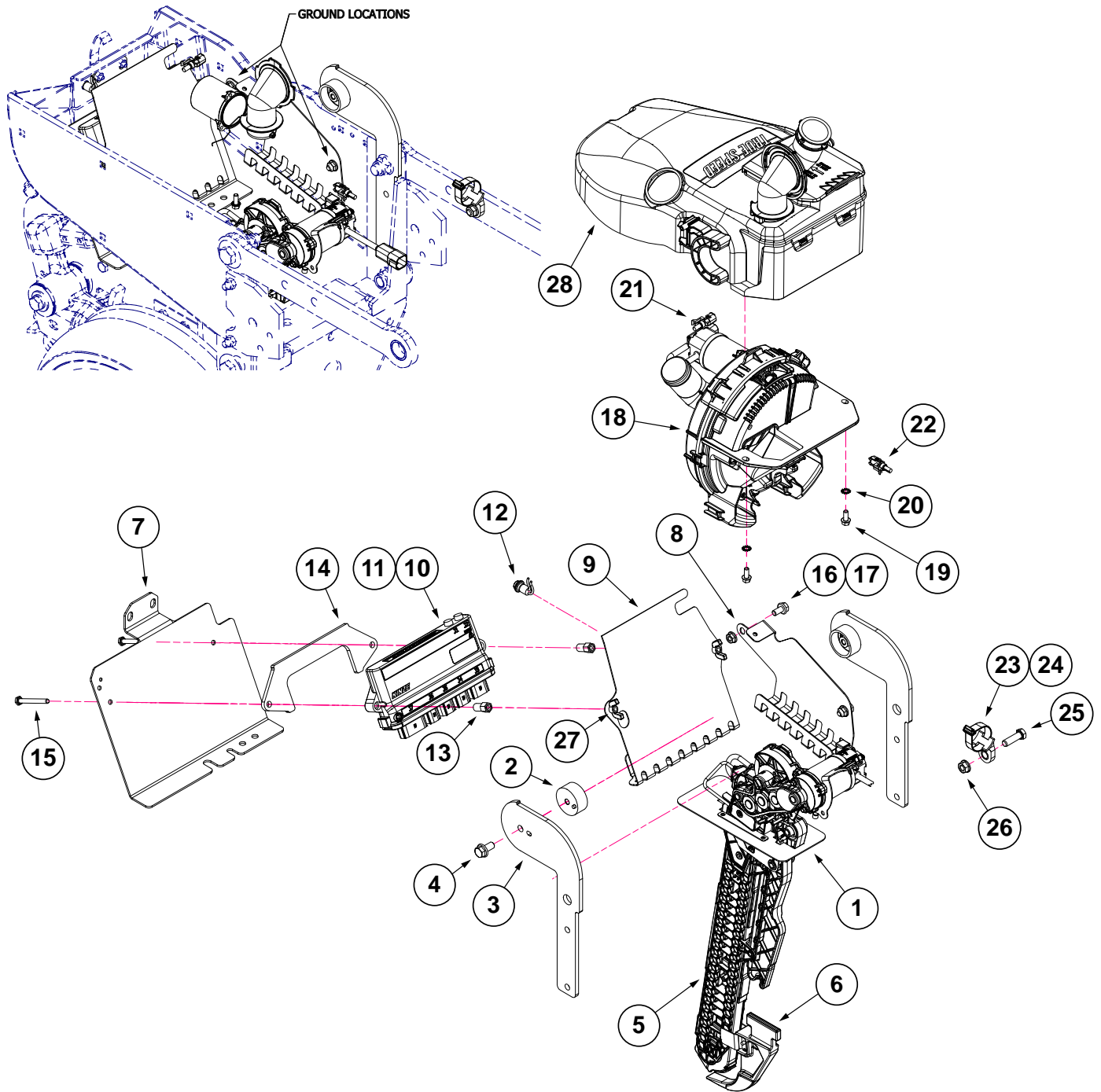
(106177)



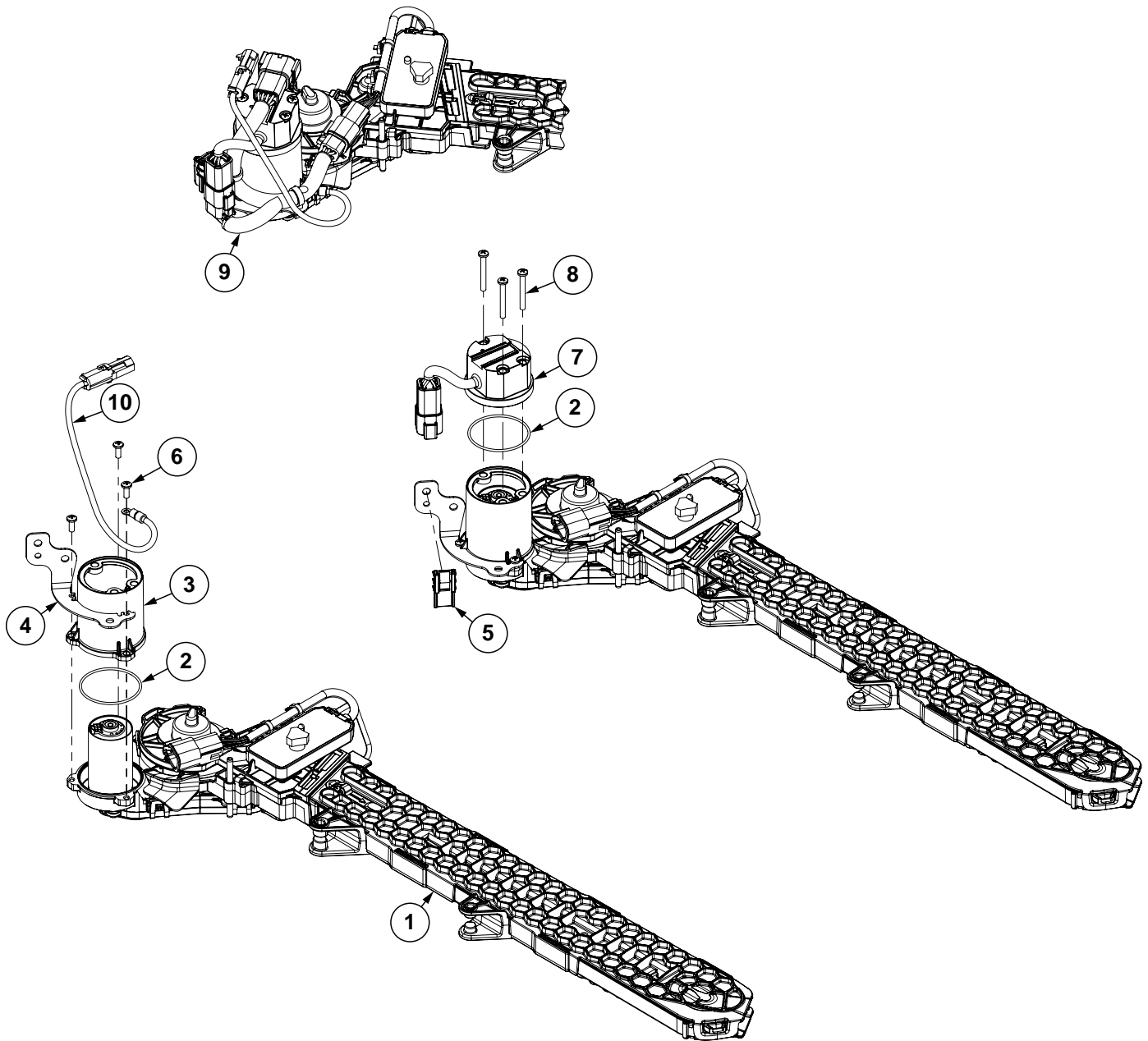


ITEM	PART NO.	QTY. (Per Row)	DESCRIPTION
1	GA25261	1	Cylinder Complete, 1¼" x 4¼"
2	GA25264	1	Row Unit Control Block
3	GA25258	1	Upper Mounting Bracket
4	GA25257	1	Lower Mounting Bracket
5	GA25401	1	Back Mount
6	G6801-04-04	3	90° Elbow, 7/16"-20
7	GD35459	2	Hex Head Cap Screw, ¼"-20 x 1½", Grade 5 (W/Blue Loctite)
8	G10017	4	Hex Head Cap Screw, ½"-13 x 1½"
9	G10037	5	Hex Head Cap Screw, 1/2"-13 X 1 1/4"
10	G11875	1	Clevis Pin, ⅝" x 3"
11	G10564	1	Clevis Pin, ⅝" x 2½"
12	G10451	2	Cotter Pin, ⅛" x 1"
13	G10071	4	Serrated Flange Nut, ½"-13
14	G11389	4	Flat Washer, ½" Plated SAE
15	G11385	2	Flat Washer, ¼" SAE
16	G10228	5	Lock Washer, ½"
17	G11391	2	Flat Washer, ⅝" SAE

(103185)

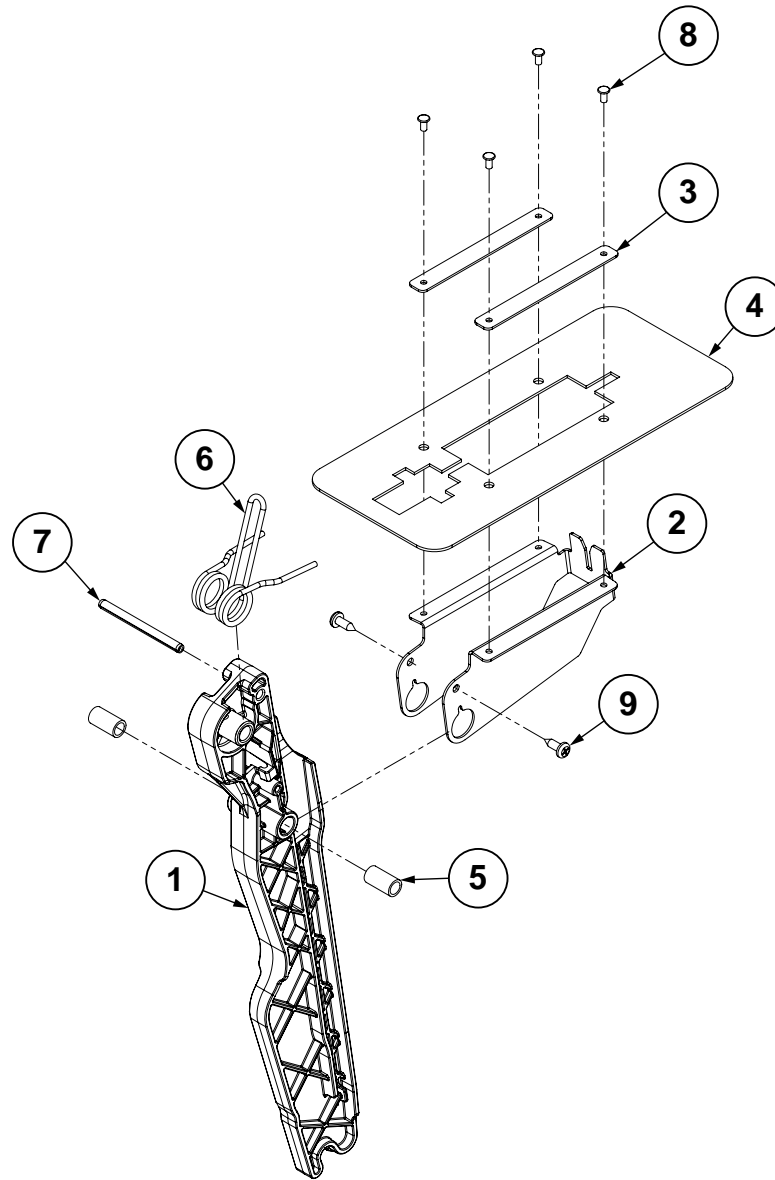


ITEM	PART NO.	QTY. (Per Row)	DESCRIPTION
1	---	-	<a href="#">See "Seed Delivery Rail Assembly" on page P44</a>
2	GB1218	2	Hopper Mount
3	G10302401	2	True Speed Hopper Mount, 3000 Series
4	G11123	2	Hex Serrated Flange Cap Screw, 3/8"-16 x 3/4"
5	---	-	<a href="#">See "True Speed Seed Delivery System W/Driver" on page P43</a>
6	G10418802	1	Disc Opener Scraper
7	G10617801	1	Pull Unit IPN Mount
8	G10267501	1	Wire Tray
9	G10267601	1	IPN Wire Shield, 3000 Series
10	GA25949	1	IPN Module Assembly
11	G7100-616	1	Decal, IPN/IPR M12 Connector O-Ring
12	GA15485	1	Switch
13	GD35609	2	Hex Standoff
14	GD35629	1	IPN RU Mount Plate
15	G11929	2	Hex Head Cap Screw, 1/4"-20 x 2.75", Grade 5
16	G10961	2	Hex Socket Flange Cap Screw, 5/16"-18 x 3/4", Grade 5
17	G10620	2	Serrated Flange Nut, 5/16"-18
18	---	-	<a href="#">See "True Speed Seed Meter" on page P49</a>
19	G10960	2	Hex Non-Serrated Flange Cap Screw, 1/4"-20 x 5/8", Grade 5
20	G11249	2	External Tooth Washer, 1/4"
21	G10213601	1	ESD Ground Strap Harness, True Speed
22	G10213602	1	ESD Ground Strap Harness, True Speed
23	G10176901	1	Cable Tie, 1/2" x 12"
24	G10088301	1	Cable Tie Mount, 3/8"
25	G10004	1	Hex Head Cap Screw, 3/8"-16 x 1 1/4"
26	G10622	1	Serrated Flange Nut, 3/8"-16
27	G10531	2	Wing Nut, 1/4"-20
28	---	-	<a href="#">See "True Speed Mini-Hopper" on page P55</a>

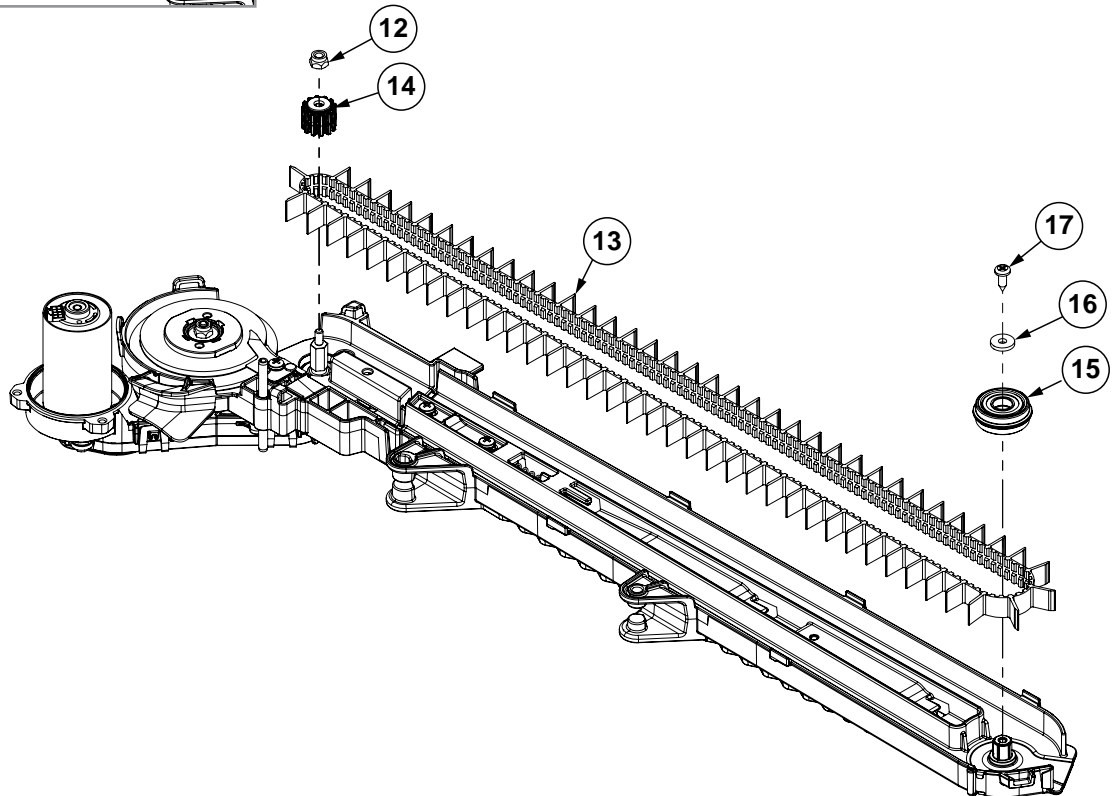
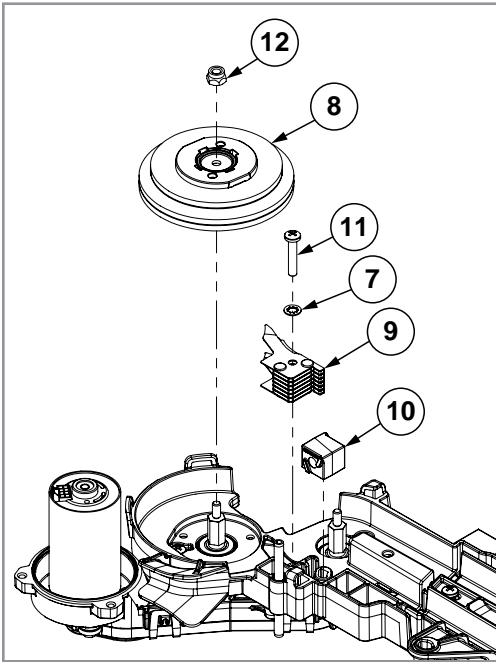


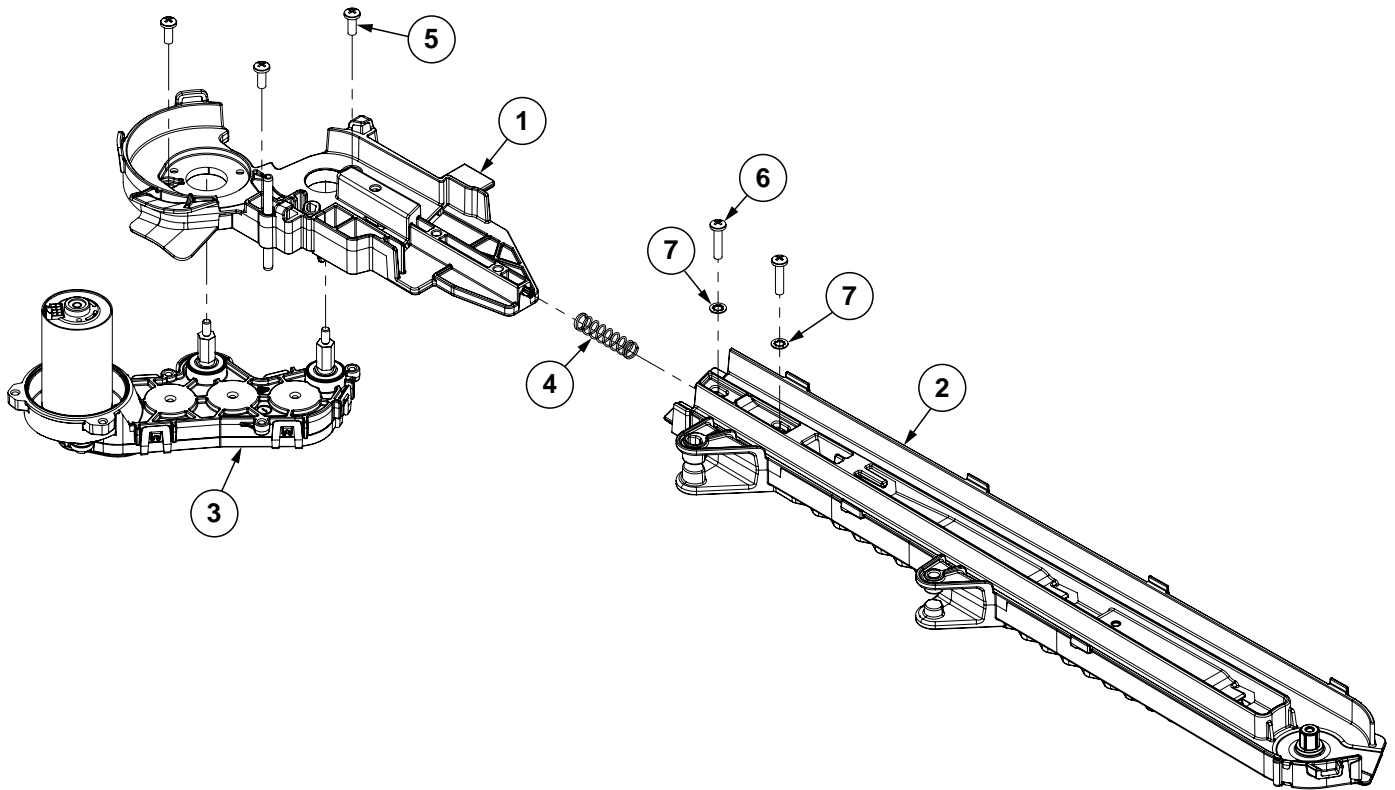
ITEM	PART NO.	QTY.	DESCRIPTION
1	GA27001	1	<a href="#">See "True Speed Seed Delivery System Assembly" on page P45</a>
2	GB1291	2	O-Ring
3	GB1289	1	BLDC Cover Housing
4	GD36961	1	Harness Routing Bracket
5	GD26293		Attachment Clip
6	G11981		Phillips Pan Head Machine Screw, #8-32 x 1/2"
7	G10429001	1	Motor Driver Assembly
8	G11297	3	Phillips Pan Head Machine Screw #8-32 x 1 3/8", Stainless Steel
9	GA26980	1	True Speed Seed Tube
10	G10213502	1	True Speed ESD Ground Strap Harness

(103188)

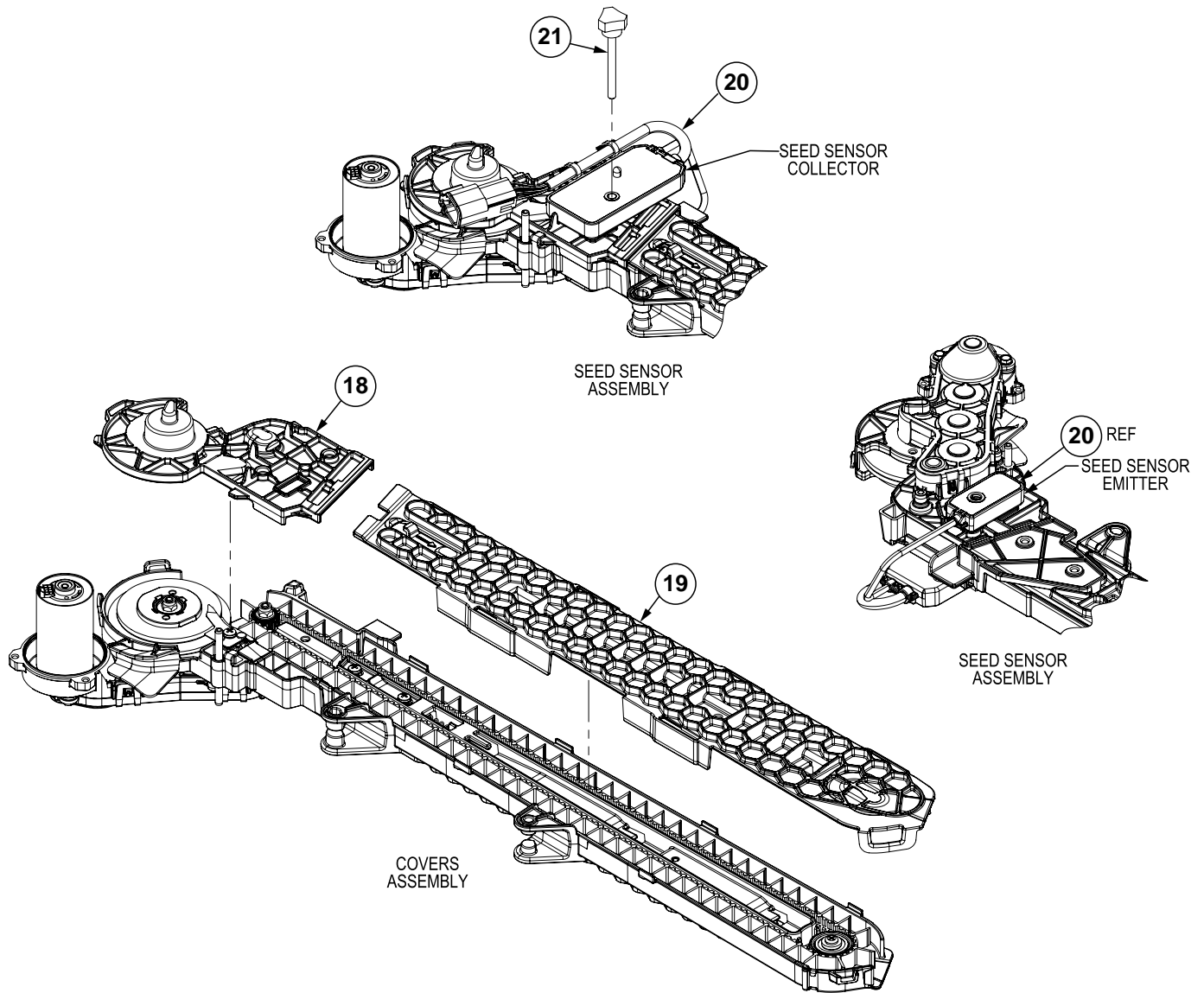


ITEM	PART NO.	QTY.	DESCRIPTION
1	GB1269	1	Seed Delivery Rail
2	GD36950	1	Seed Delivery Collar
3	GD36962	2	Residue Cover Retainer
4	GB1309	1	Residue Cover
5	GD36952-02	2	Spacer, .375" O.D. x 18 GA Wall x .69"
6	GD36951	4	Seed Delivery Spring
7	G11996	1	Spring Slot Pin, 3/16" x 2-1/4"
8	G11765	4	Blind Rivet, 1/8" x 1/4"
9	G11578	2	Phillips Pan Head Tapping Screw, No. 8-18 x 1/2"





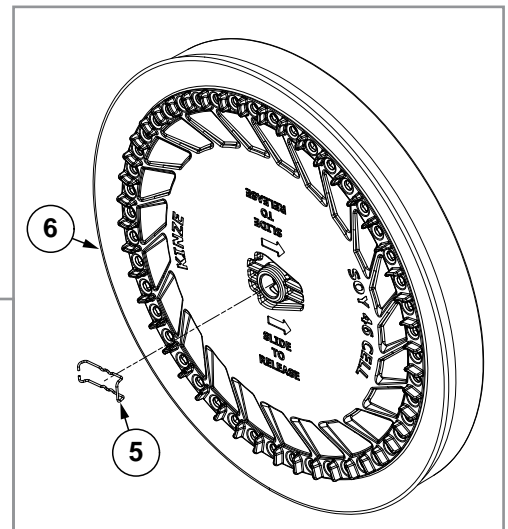
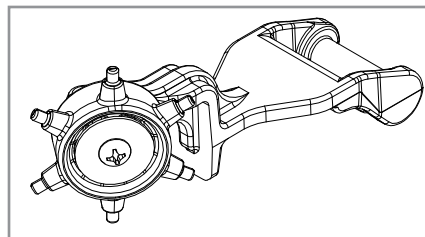
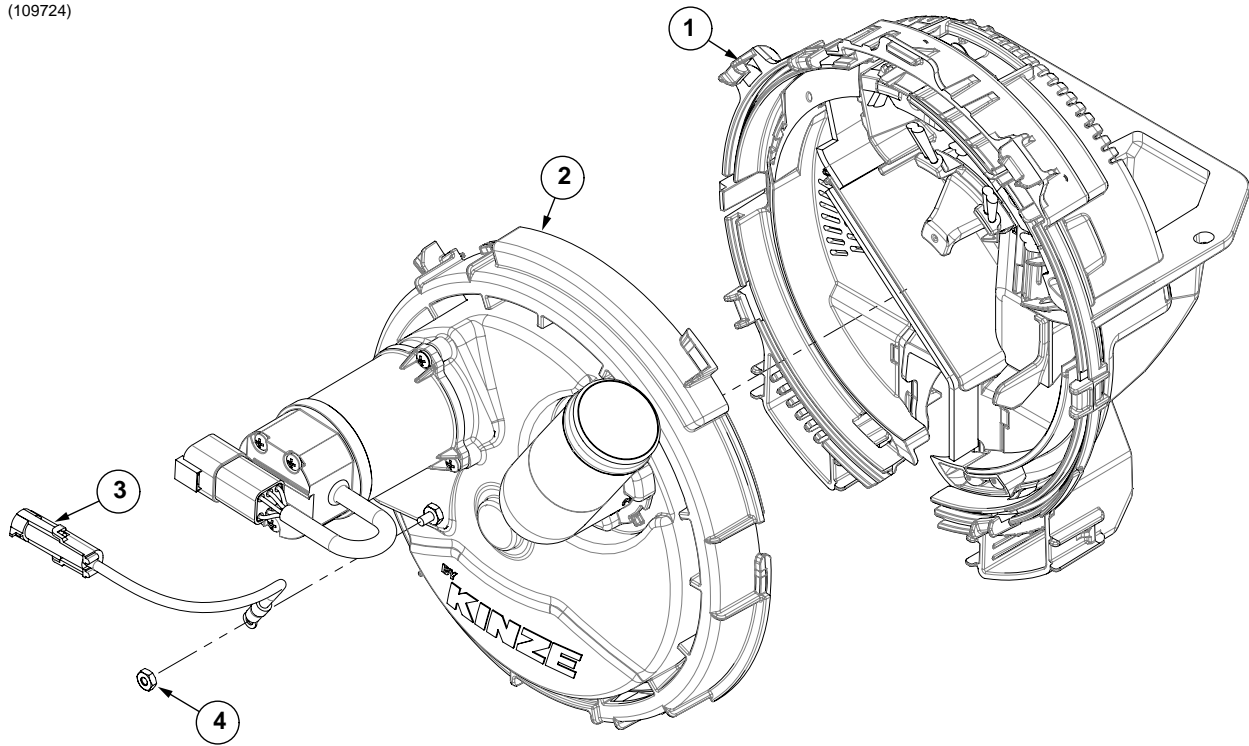
Continued on following pages.





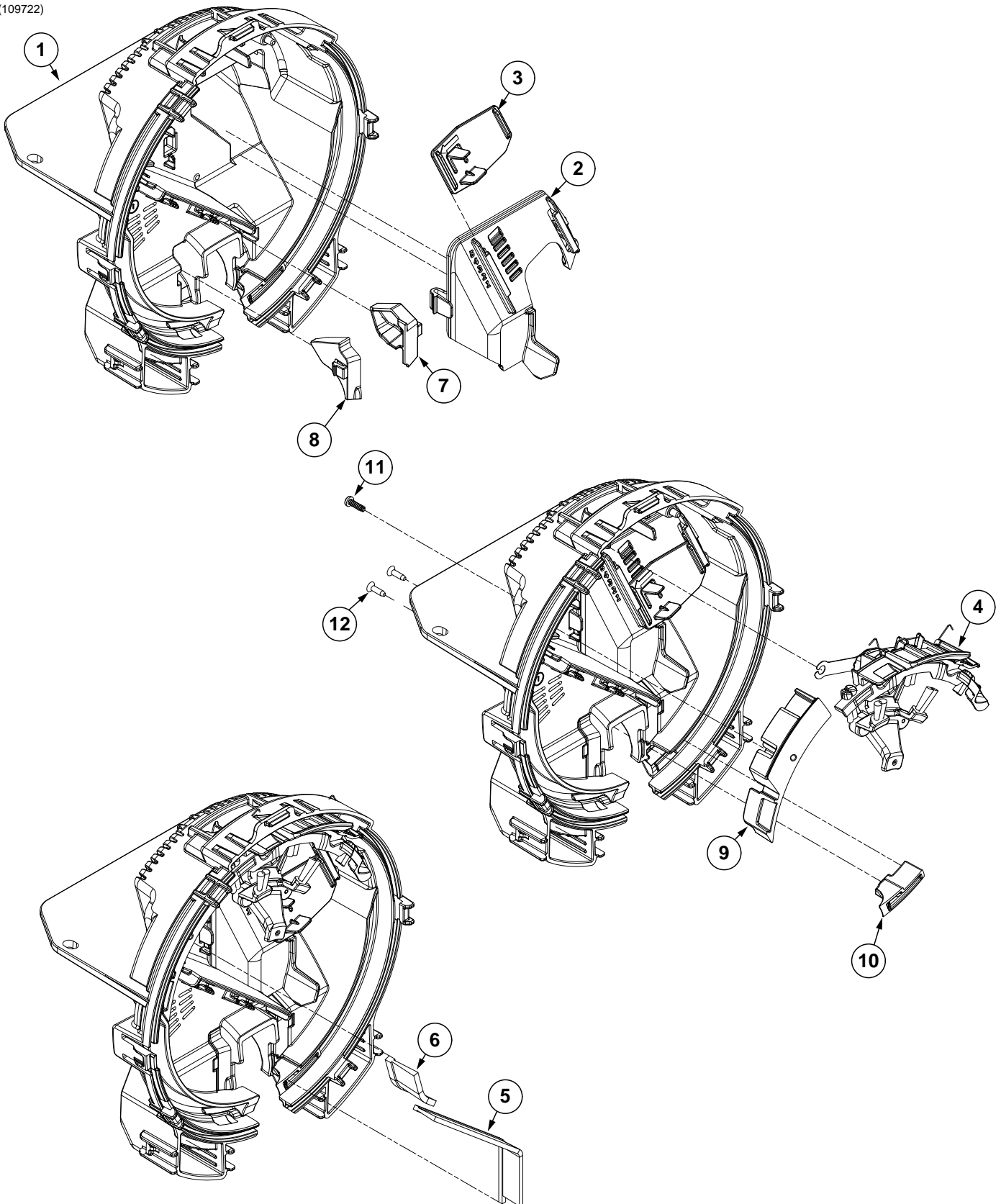
ITEM	PART NO.	QTY.	DESCRIPTION
1	GA27133	1	Seed Delivery Upper Housing Assembly
	G10208201	1	Seed Delivery Upper Housing (Included W/GA27133)
	G11996	1	Spring Slot Pin, 3/16" x 2-1/4" (Included W/GA27133)
2	GA27084	1	Seed Delivery Lower Housing Assembly
	GB1250	1	Seed Delivery Lower Housing (Included W/GA27084)
3	G10545501	1	Seed Delivery Gearcase Assembly
4	GD36938	1	Belt Tensioner Spring
5	G11986	3	Phillips Pan Head Machine Screw, No. 8-32 x 7/16"
6	G11067	2	Phillips Pan Head Machine Screw, No. 8-32 x 3/4", Stainless Steel
7	G11995	3	Internal Tooth Washer, No. 8, Stainless Steel
8	GA27005	1	Brush Wheel Assembly
9	GA27004	1	Stripper Wheel Comb Assembly
10	GB1257	1	Seed Relief Scrubber
11	G11982	1	Phillips Pan Head Machine Screw, No. 8-32 x 7/8", Stainless Steel
12	G11202	2	Lock Nut W/Nylon Insert, No. 8-32, Stainless Steel
13	GB1256	1	Seed Delivery Belt
14	GB1254	1	Belt Drive Sprocket
15	GA27134	1	Seed Delivery Idler Pulley Assembly
	GB1255	1	Seed Deliver Idler Pulley (Included W/GA27134)
16	G11983	1	Flat Washer, No. 8
17	G11578	1	Phillips Pan Head Tapping Screw, No. 8-18 x 1/2"
18	G10208301	1	Seed Delivery Upper Cover
19	GB1251	1	Seed Delivery Lower Cover
20	GA27003	1	Seed Sensor Assembly
21	G10230701	1	Hex Socket Head Cap Screw, No. 10-24
	G10060301	1	Knob, No. 10
A	GA27001	1	Seed Delivery System Assembly, Items 1-21

(109724)



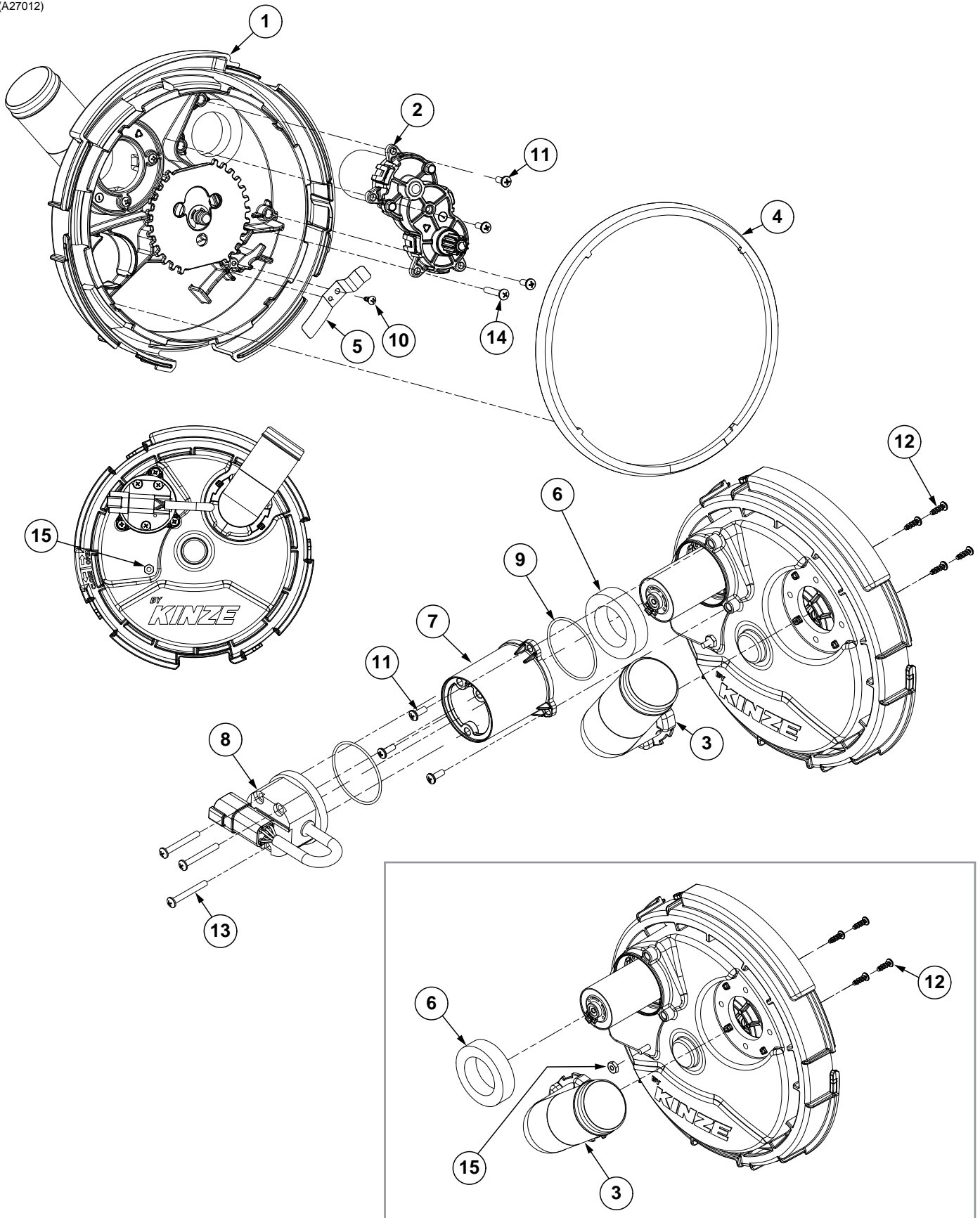
ITEM	PART NO.	QTY.	DESCRIPTION
1	G10972201	1	<a href="#">See "True Speed Meter Housing" on page P51</a>
2	GA27012	1	<a href="#">See "True Speed Meter Cover" on page P53</a>
3	G10213501	1	Only applicable W/True Speed Meter W/Driver
4	G10928	1	Only applicable W/True Speed Meter W/Driver
5	G10318701	1	Seed Disc Retention Clip (Included W/Item 6)
6	G10892X	-	Seed Disc, Corn, 32 Cell (Light Blue Color-Coded) and Ejector Assembly
	G10893X	-	Seed Disc, Soybean, 92 Cell (Black Color-Coded) and Ejector Assembly
	G10894X	-	Seed Disc, Soybean, 46 Cell (Black Color-Coded) and Ejector Assembly
	G11124X	-	Seed Disc, Sunflower, 23 Cell (Yellow Color-Coded) and Ejector Assembly
	G10860X	-	Seed Disc, Sugarbeets/Milo, 46 Cell (Orange Color-Coded) and Ejector Assembly
	G11340X	-	Seed Disc, Rapeseed/Canola, 104 Cell (Dark Gray Color-Coded) and Ejector Assembly
7	G10177501	-	Ejector Assembly, 32 Cell Corn (Included W/G10892X)
	G10177601	-	Ejector Assembly, 92 Cell Soybean (Included W/G10893X)
	G10177701	-	Ejector Assembly, 46 Cell Soybean (Included W/G10894X)
	G10618501	-	Ejector Assembly, 23 Cell Sunflower (Included W/G11124X)
	GA27023	-	Ejector Assembly, 46 Cell Sugarbeets/Milo (Included W/G10860X)
	G10923601	-	Ejector Assembly, 104 Cell Rapeseed/Canola (Included W/G10860X)
A	G10972401	1	True Speed Meter W/Driver Assembly, Items 1-4
B	G10972501	1	True Speed Meter Assembly, Items 1-2

(109722)



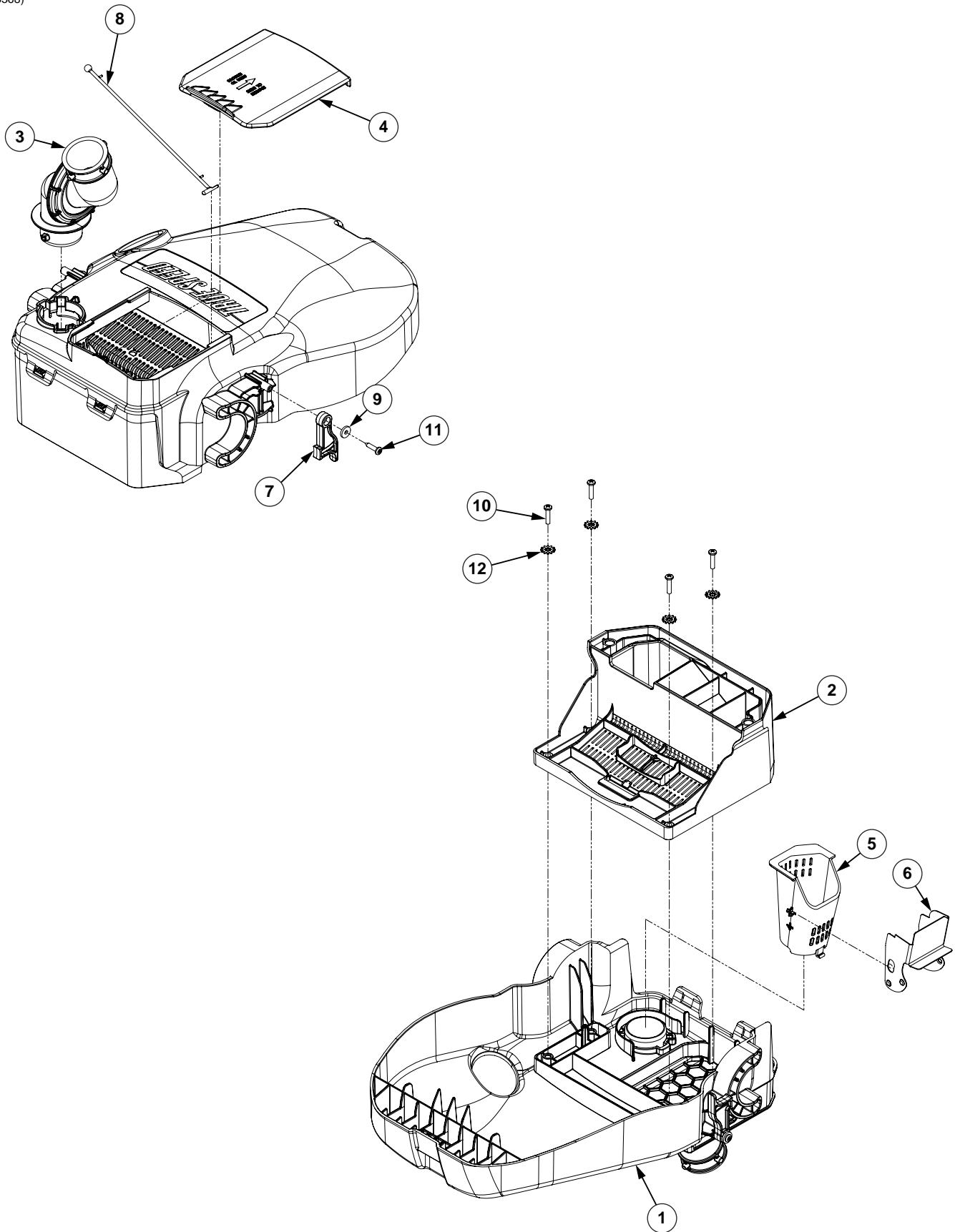
ITEM	PART NO.	QTY.	DESCRIPTION
1	G10208401	1	Meter Housing
2	GB1275	1	Meter Baffle
3	GB1276	1	Door Baffle
4	GA27013	1	Singulator Assembly (Includes Items 13-14)
5	GD36954	1	Meter Wall Brush, Small
6	G10459801	1	Meter Wall Brush, Large
7	GB1307	1	Meter Housing Plug
8	GB1306	1	Meter Housing Plug
9	G10153101	1	Upper Seed Relief Insert
10	G10949902	1	Lower Seed Relief Insert
11	G11556	1	Phillips Pan Head Tapping Screw, 6-19 x 1/2"
12	G10181201	3	Phillips Pan Head Tapping Screw, No. 6-19 x 1/2"
13	GA27015	1	Outer Singulator Brush (Included W/Item 4)
14	GA27014	1	Inner Singulator Brush (Included W/Item 4)
15	G11619	4	Phillips Pan Head Tapping Screw, No. 6-19 x 3/8"

(A27012)



ITEM	PART NO.	QTY.	DESCRIPTION
1	G10320401	1	Meter Cover W/Bearing Assembly
2	G10545601	1	Meter Gearcase Assembly
	GA27007	-	BLDC Motor (Included W/G10545601)
	GB1288	-	Meter Pinion Gear (Included W/G10545601)
	G11994	-	External Side Mount Retaining Ring (Included W/G10545601)
	G10263501	-	Hex Serrated Flange Machine Screw, No. 6-32, Grade 2 (Included W/G10545601)
3	GB1281	1	Vacuum Elbow
4	GB1282	1	Meter Seal
5	GD36959	1	Ejector Arm Retention Spring
6	G10108302	1	Motor Foam Seal
7	GB1289	1	BLDC Cover Housing
8	G10429001	1	Motor Driver Assembly
9	GB1291	2	O-Ring
10	G11619	1	Phillips Pan Head Tapping Screw, No. 6-19 x 3/8"
11	G10724301	6	Phillips Pan Head Machine Screw, No. 8-32 x 7/16"
12	G11578	4	Phillips Pan Head Tapping Screw, No. 8-18 x 1/2"
13	G11960	3	Phillips Pan Head Machine Screw #8 - 32 x 1 1/2", Stainless Steel
14	G11201	1	Phillips Pan Head Machine Screw, No. 8-32 x 1", Stainless Steel
15	G10928	1	Hex Nut, No. 8-32, Stainless Steel

(103368)





---

ITEM	PART NO.	QTY.	DESCRIPTION
1	G10201002	1	Mini-Hopper Cover
2	GB1240	1	Mini-Hopper
3	GA26999	1	Bulk Fill Swivel Inlet
4	GB1242	1	Mini-Hopper Lid
5	G10506301	1	Bulk Fill Diffuser
6	G10199801	1	Diffuser Door
7	GB1246	1	Hopper Latch
8	GB1247	1	Tether
9	G11983	1	Flat Washer, No. 8
10	G11067	4	Phillips Pan Head Machine Screw, No. 8-32 x 3/4", Stainless Steel
11	G11770	1	Phillips Pan Head Tapping Screw, 8-18 x 3/4"
12	G10931	4	Lock Washer, No. 8, Internal/External, Stainless Steel

**NOTE:** Push row units use the same seed tube, row unit depth adjustment components, quick adjustable down force springs, 15" opener disc blades, gauge wheels, closing wheels, meter drive and seed hopper as the pull row unit. See those pages for common parts.

[See "Shank Assembly, Seed Tube, and Depth Adjustment" on page P3](#)

[See "Parallel Arms, Mounting Support Plate, and Quick Adjustable Down Force Springs Option" on page P5](#)

[See "15" Seed Opener Disc Blade/Bearing Assembly and Scrapers" on page P7](#)

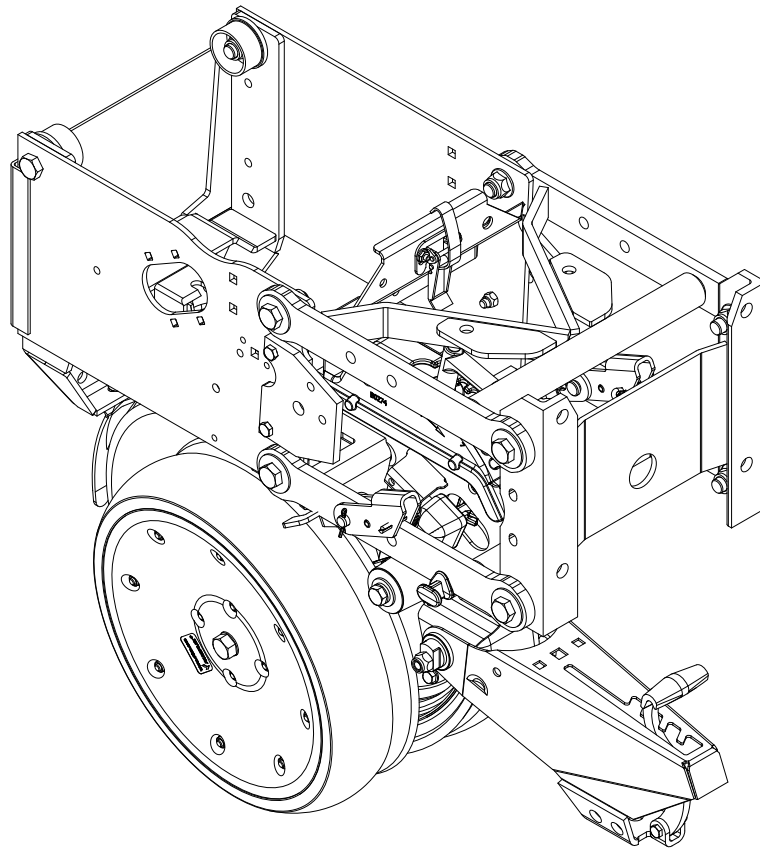
[See "Gauge Wheels" on page P9](#)

[See "'V" Closing Wheels" on page P11](#)

[See "Hopper Support and Meter Drive" on page P13](#)

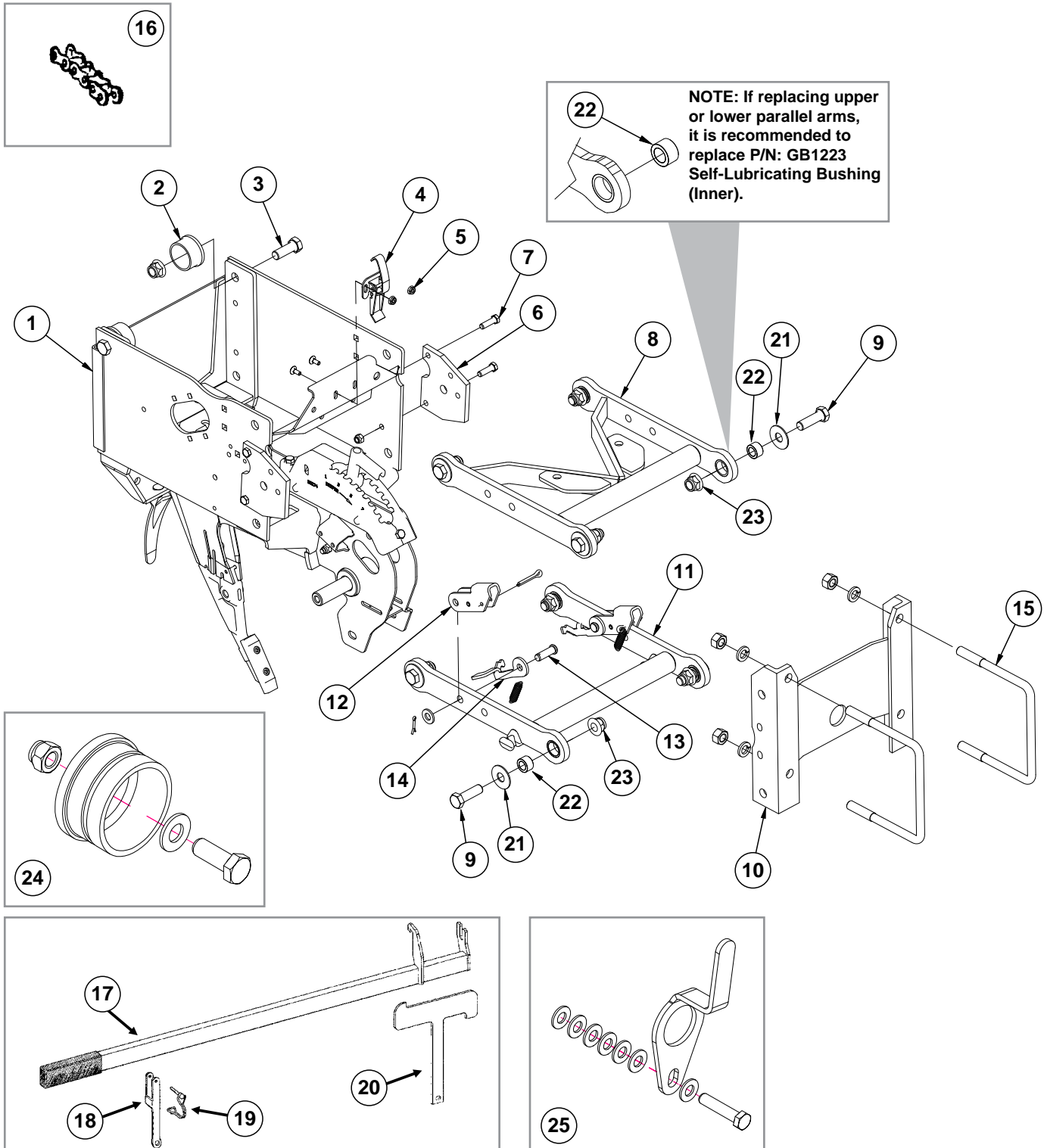
[See "Seed Hopper and Lid" on page P20](#)

**NOTE:** Row unit assembly does not include the following: seed meter assembly, seed tube assembly, row unit hopper assembly, closing wheels, or seed meter clutch.



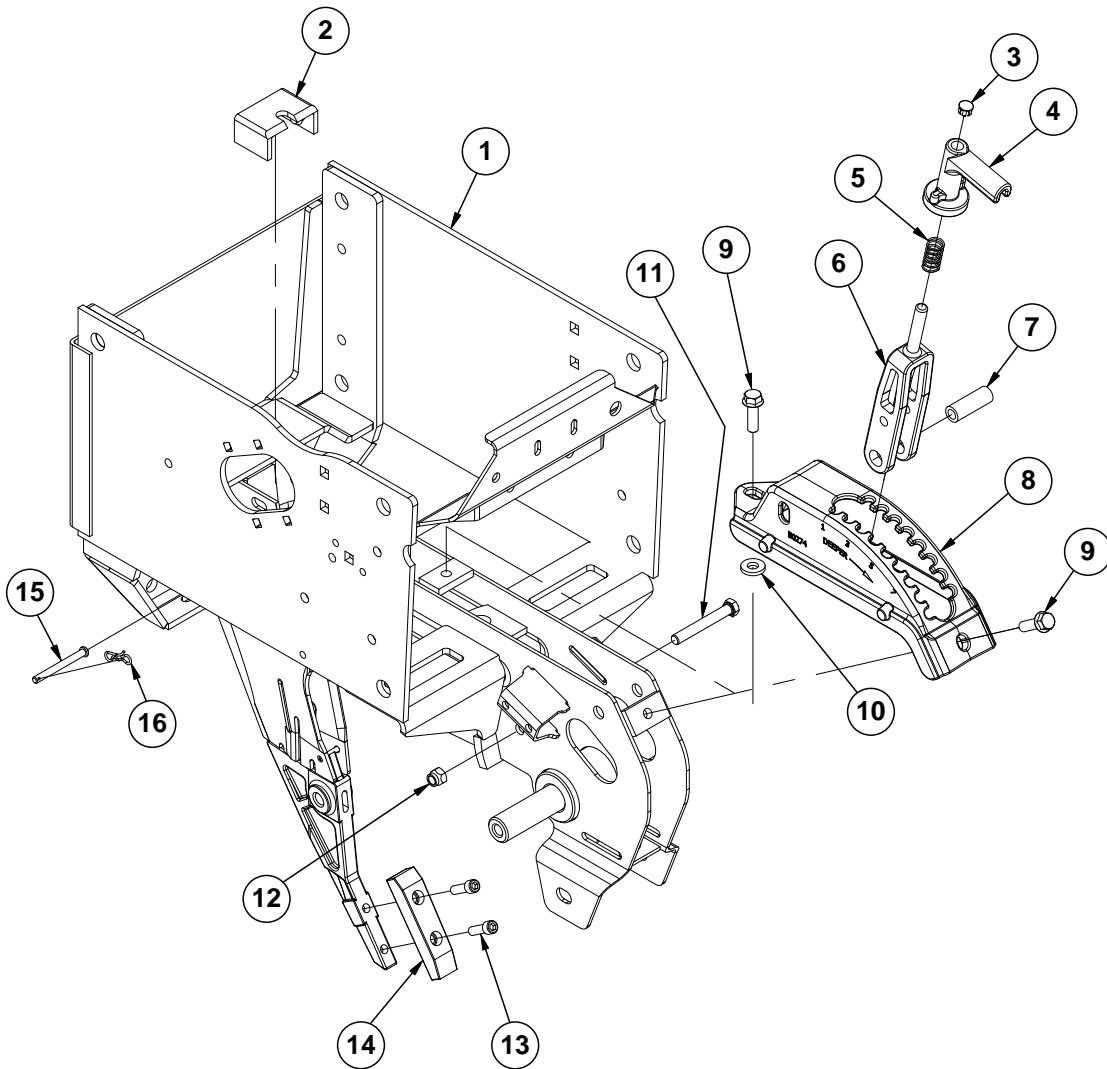
ITEM	PART NO.	QTY. (Per Row)	DESCRIPTION
1	G10504X	1	Push Row Unit Assembly (Standard Gauge Wheels)
2	G10985X	1	Push Row Unit Assembly (Spoked Gauge Wheels)

**NOTE:** Push row units use the same seed tube, row unit depth adjustment components, quick adjustable down force springs, 15" opener disc blades, gauge wheels, closing wheels, meter drive and seed hopper as the pull row unit. See those pages for common parts.



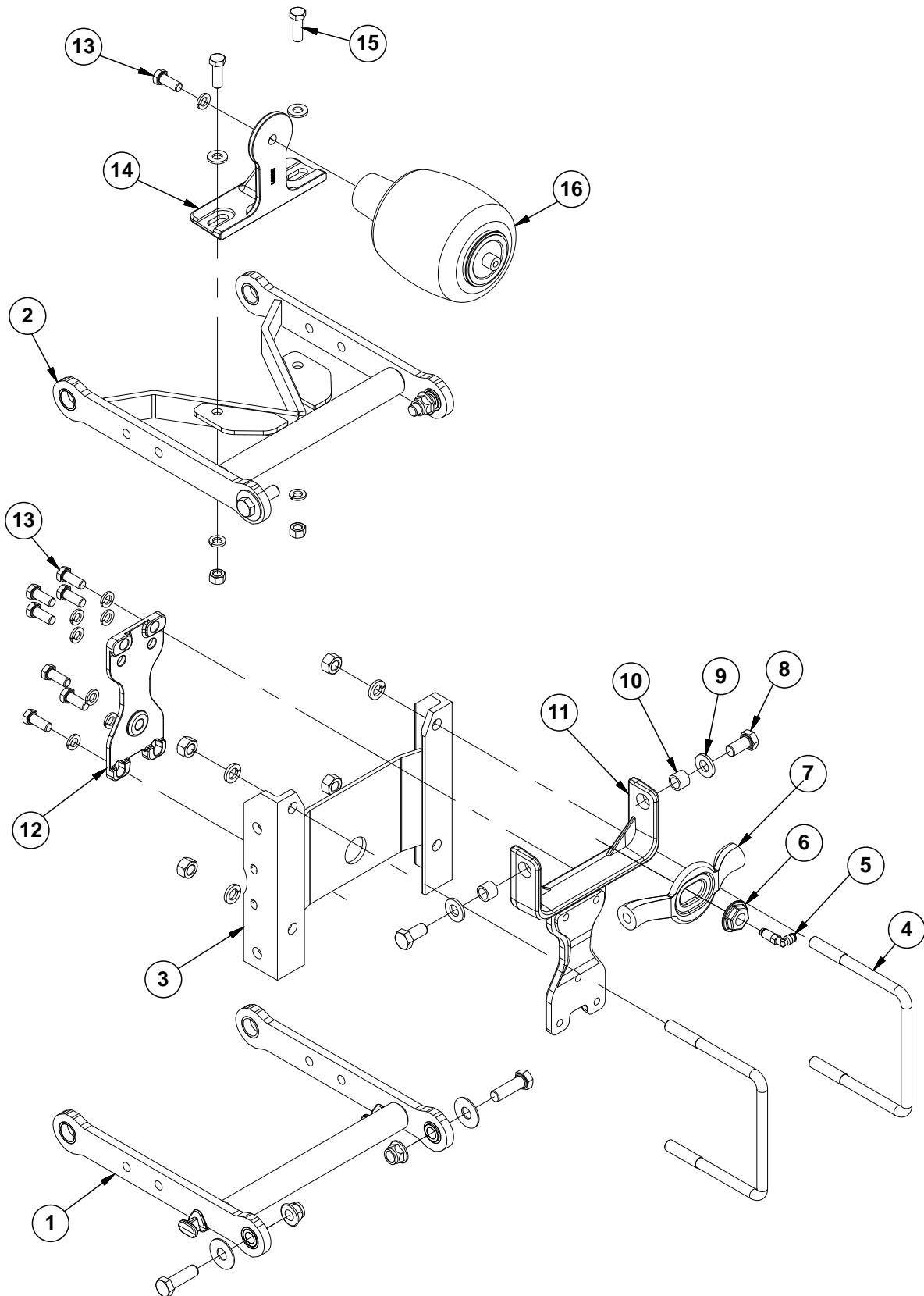
ITEM	PART NO.	QTY. (Per Row)	DESCRIPTION
1	---	1	<a href="#">See "Shank and Depth Adjustment (Split Row)" on page P60</a>
2	GB0314	2	Hopper Mount
3	G10751	2	Hex Head Cap Screw, 5/8"-18 x 1 3/4"
	G11514	2	Lock Nut, 5/8"-18
4	GA2007	1	Hopper Hold Down Latch
5	G10621	2	Serrated Flange Nut, 1/4"-20
	G10309	2	Carriage Bolt, 1/4"-20 x 5/8", Grade 5
6	GD24545	2	Row Unit Stop
7	G10004	4	Hex Head Cap Screw, 3/8"-16 x 1 1/4"
	G10108	4	Lock Nut, 3/8"-16
8	G10011301	1	Upper Parallel Arm Assembly
	GB1224	-	Self-Lubricating Bushing (Included W/G10011301)
9	G10732	4	Hex Head Cap Screw, 5/8"-18 x 2"
10	GA11971	1	Mounting Plate
11	G10011401	1	Lower Parallel Arm Assembly
	GB1224	-	Self-Lubricating Bushing (Included W/G10011301)
12	GD11264	1	Lockup
	G10718	2	Spring Pin, 5/16" x 1 1/8"
	G10463	2	Cotter Pin, 1/4" x 1 1/2"
	GD25569	2	Spring
13	G10284	2	Clevis Pin, 1/2" x 1 1/2"
	G11389	2	Flat Washer, 1/2" Plated SAE
	G10451	2	Cotter Pin, 1/8" x 1"
14	GD25568	1	Spring Mount Tab, L.H.
	GD29459	1	Spring Mount Tab, R.H.
15	GD1113	2	U-Bolt, 5" x 7" x 5/8"-11
	GD1114	2	U-Bolt, 7" x 7" x 5/8"-11
	G10230	4	Lock Washer, 5/8"
	G10104	4	Hex Nut, 5/8"-11
16	G3303-96	1	Chain, No. 41, 96 Pitch Including Connector Link
	GR0196	1	Connector Link, No. 41
17	GA24889	-	Lift Lever W/Boot
	GD11649	-	Boot (Included W/GA24889)
18	G10991201	1	Bracket (Lift Lever)
19	GD9695	1	Wire Lock Pin, 1/4" x 1 3/4"
20	G10991301	1	Mounting (Lift Lever)
21	G11976	8	Flat Washer, 5/8" x 1 3/4"
22	GB1223	8	Self-Lubricating Bushing
23	G11514	8	Lock Nut, 5/8"-18
24	GD17052	1	Vacuum Plug
	G11387	1	Hardened Washer, 3/8" SAE
	G10001	1	Hex Head Cap Screw, 3/8"-16 x 1"
	G10108	1	Lock Nut, 3/8"-16
25	G10180301	1	Hose Guide, Vacuum
	G10047	1	Hex Head Cap Screw, 3/8"-16 x 1 3/4"
	G11387	7	Hardened Washer, 3/8" SAE
A	G1K534	-	Push Unit Lock-Up Kit, Items 6, and 12-14 (Includes GD24545 - Push Unit Stop)
B	G1K535	-	Push Unit Spring Lock-Up Kit, Items 12-14
C	G1K759	-	Push Row Unit Parallel Kit, Includes: (1) G10011301, (1) G10011401, (8) GB1223, (8) G11976, (2) G10732, (8) G11514, (6) G10751, (2) IS1066

(IP1585)



ITEM	PART NO.	QTY. (Per Row)	DESCRIPTION
1	GA26297	1	Push Row Unit Shank <b>(Non-True Speed)</b>
	G10258501	1	Push Row Unit Shank <b>(True Speed)</b>
2	GD16245	1	Sun Shade (Rubber)
3	GD3612	1	Cap Plug
4	GB0266	1	Handle, Depth Adjustment
5	GD10993	1	Spring
6	GB0267	1	Lever, Depth Adjustment
7	GD11259	1	Sleeve, $\frac{3}{8}$ " I.D. x $\frac{5}{8}$ " O.D. x $1\frac{25}{32}$ " Long
8	GB0274	1	Cover, Depth Adjustment
9	G11015	2	Hex Washer Head Cap Screw, $\frac{3}{8}$ "-16 x $1\frac{1}{4}$ "
10	G10207	1	Washer, $\frac{7}{8}$ " O.D. x $\frac{13}{32}$ " I.D. x .134"
11	G11592	1	Hex Head Cap Screw, $\frac{3}{8}$ "-24 x $2\frac{3}{4}$ ", Grade 8
12	G11591	1	Nylon Lock Nut, $\frac{3}{8}$ "-24, Grade C
13	G10500901	2	Hex Socket Head Cap Screw, $\frac{5}{16}$ "-18 x 1" <b>(Non-True Speed only)</b>
14	G10038601	1	Scraper <b>(Non-True Speed only)</b>
15	G10551	1	Clevis Pin, $\frac{1}{4}$ " x $2\frac{1}{2}$ "
16	G10122301	1	Bow Tie Cotter Pin

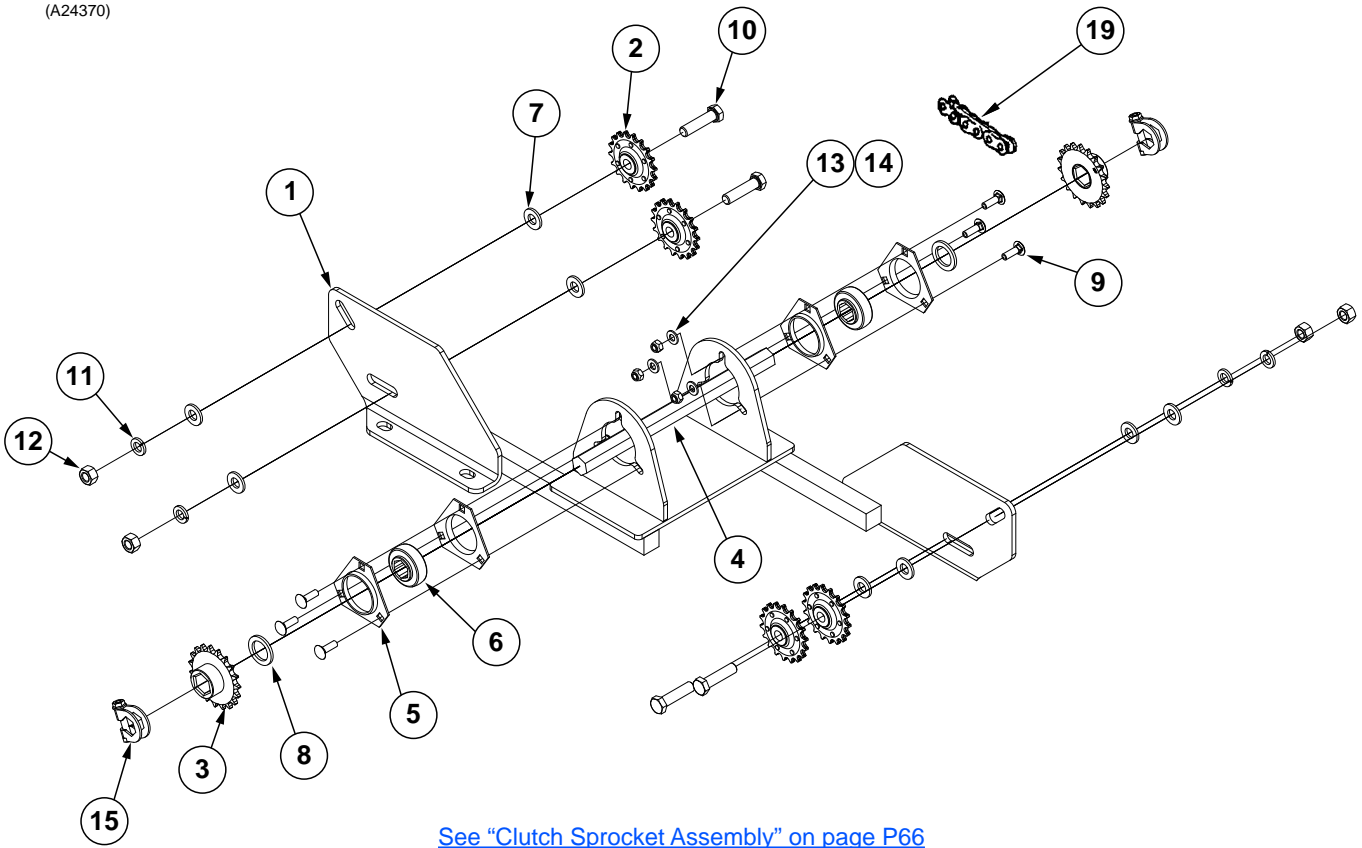
(IP1641)



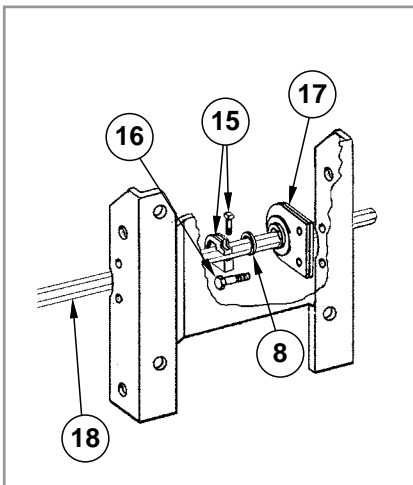
ITEM	PART NO.	QTY. (Per Row)	DESCRIPTION
1	---	---	<a href="#">See "Parallel Arms and Face Plate (Split Row)" on page P58</a>
2	---	---	<a href="#">See "Parallel Arms and Face Plate (Split Row)" on page P58</a>
3	---	1	<a href="#">See "Parallel Arms and Face Plate (Split Row)" on page P58</a>
4	---	---	<a href="#">See "Parallel Arms and Face Plate (Split Row)" on page P58</a>
5	GD18011	1	Elbow, $\frac{3}{8}$ " x $\frac{1}{8}$ " NPT Extended
6	GB0397	1	Shoulder Nut, $\frac{3}{4}$ "-16
7	GB0392	1	Yoke
8	G11018	2	Hex Head Cap Screw, $\frac{5}{8}$ "-18 x $1\frac{1}{4}$ "
9	G11391	2	Flat Washer, $\frac{5}{8}$ " SAE
10	GD3180-30	2	Sleeve, $\frac{7}{8}$ " O.D. x $\frac{5}{8}$ " I.D. x $2\frac{1}{32}$ "
11	GB0390	1	Yoke Mount
12	GB0389	1	Plate
13	G10037	8	Hex Head Cap Screw, $\frac{1}{2}$ "-13 x $1\frac{1}{4}$ "
	G10228	8	Lock Washer, $\frac{1}{2}$ "
14	GB0391	1	Mount
15	G10017	2	Hex Head Cap Screw, $\frac{1}{2}$ "-13 x $1\frac{1}{2}$ "
	G11389	2	Flat Washer, $\frac{1}{2}$ " SAE
	G10228	2	Lock Washer, $\frac{1}{2}$ "
	G10102	2	Hex Nut, $\frac{1}{2}$ "-13
16	GA11982	1	Air Spring Assembly



(A24370)

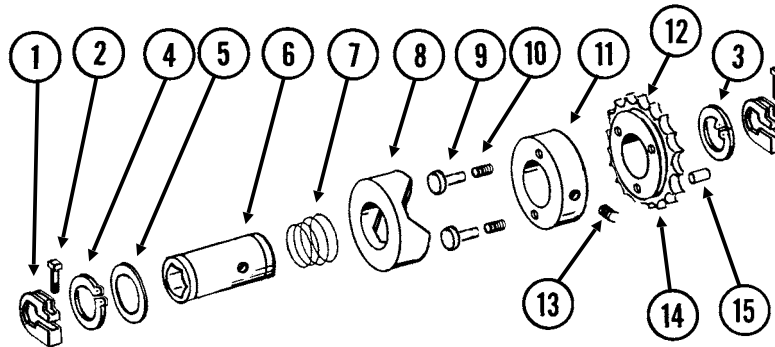


[See "Clutch Sprocket Assembly" on page P66](#)



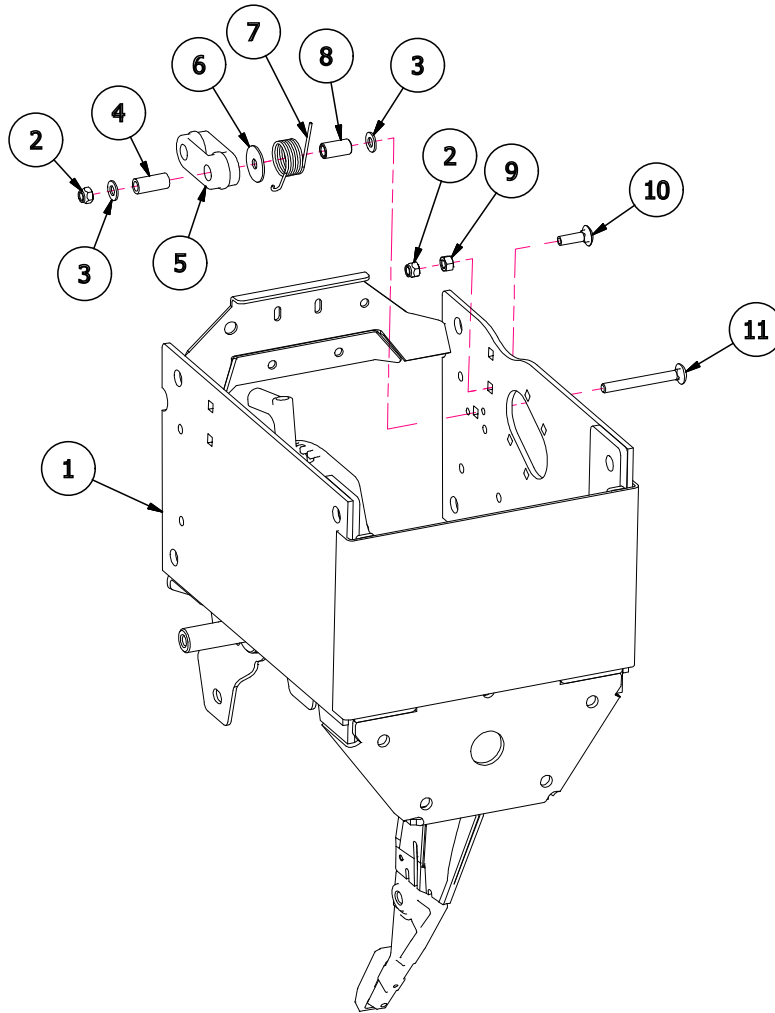
ITEM	PART NO.	QTY.	DESCRIPTION
1	GA24373	1	Crossover
2	GA7154	4	Sprocket W/Bearing, 18 Tooth
3	GA5107	2	Sprocket, 19 Tooth
4	GD0914-12.50	1	Hex Shaft, 7/8" x 12 1/2"
5	G3400-01	4	Flangette
6	G2100-03	2	Bearing, 7/8" Hex Bore, Spherical
7	G11389	8	Flat Washer, 1/2" Plated SAE
8	G10233	2	Machine Bushing, 1 1/2" x 1/32", 10 Gauge (.1345")
9	G10303	6	Carriage Bolt, 5/16"-18 x 1"
10	G10016	4	Hex Head Cap Screw, 1/2"-13 x 2"
11	G10228	4	Lock Washer, 1/2"
12	G10102	4	Hex Nut, 1/2"-13
13	G11386	6	Flat Washer, 5/16" SAE
14	G10109	6	Lock Nut, 5/16"-18
15	GA11331	2	Hex Lock Clamp Assembly
16	G10004	-	Hex Head Cap Screw, 3/8"-16 x 1 1/4"
	G11091	-	Serrated Flange Nut, 3/8"-16
17	GA2180	-	Hanger Bearing, 7/8" Hex Bore
18	GD0914-215	-	Hex Shaft, 7/8" x 215" (No Holes)
19	G3310-122	2	Chain, No. 40, 122 Pitch Including Connector Link
	GR0912	-	Connector Link, No. 40 (Included W/G3310-122)

(TWL58g)



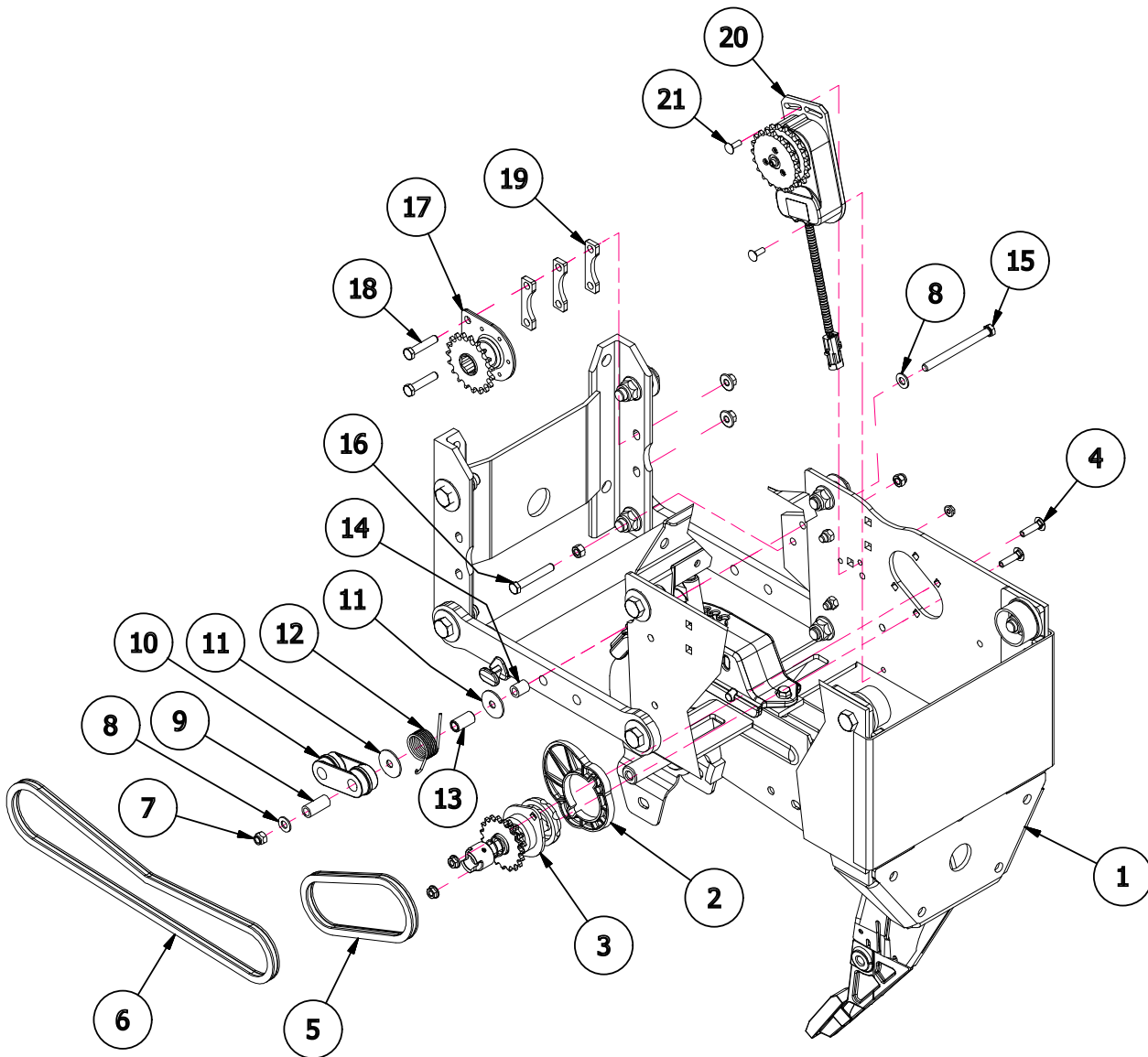
ITEM	PART NO.	QTY.	DESCRIPTION
1	GD11045	-	Lock Clamp
2	G10130	-	Square Head Machine Bolt, 5/16"-18 x 1 3/4"
	G10923	-	Flange Nut, 5/16"-18, No Serration
3	GD8306	2	U-Bolt, 7" x 5" x 1/2"-13
	G10228	4	Lock Washer, 1/2"
	G10102	-	Hex Nut, 1/2"-13
4	G10496	2	External Inverted Snap Ring, 1 1/2"
5	GR1411	1	Shim
6	GR1407	1	Drive Shaft
7	GR1408	1	Compression Spring
8	GR1409	1	Knurled Collar
9	GR1410	1	Pin
10	GR1413	1	Spring
11	GR1405	1	Lock Collar
12	GR1406	1	Bushing
13	G10535	1	Hex Socket Set Screw, 3/8"-16 x 3/4"
14	GR1412	1	Sprocket, 19 Tooth
15	G10968	1	Spring Pin, 5/32" x 7/16"
A	GA8092	-	Clutch Sprocket Assembly, 19 Tooth (Items 4-15)
B	G1K331	-	Clutch Sprocket Kit (Items 12, 14 And 15)

(IP1586)



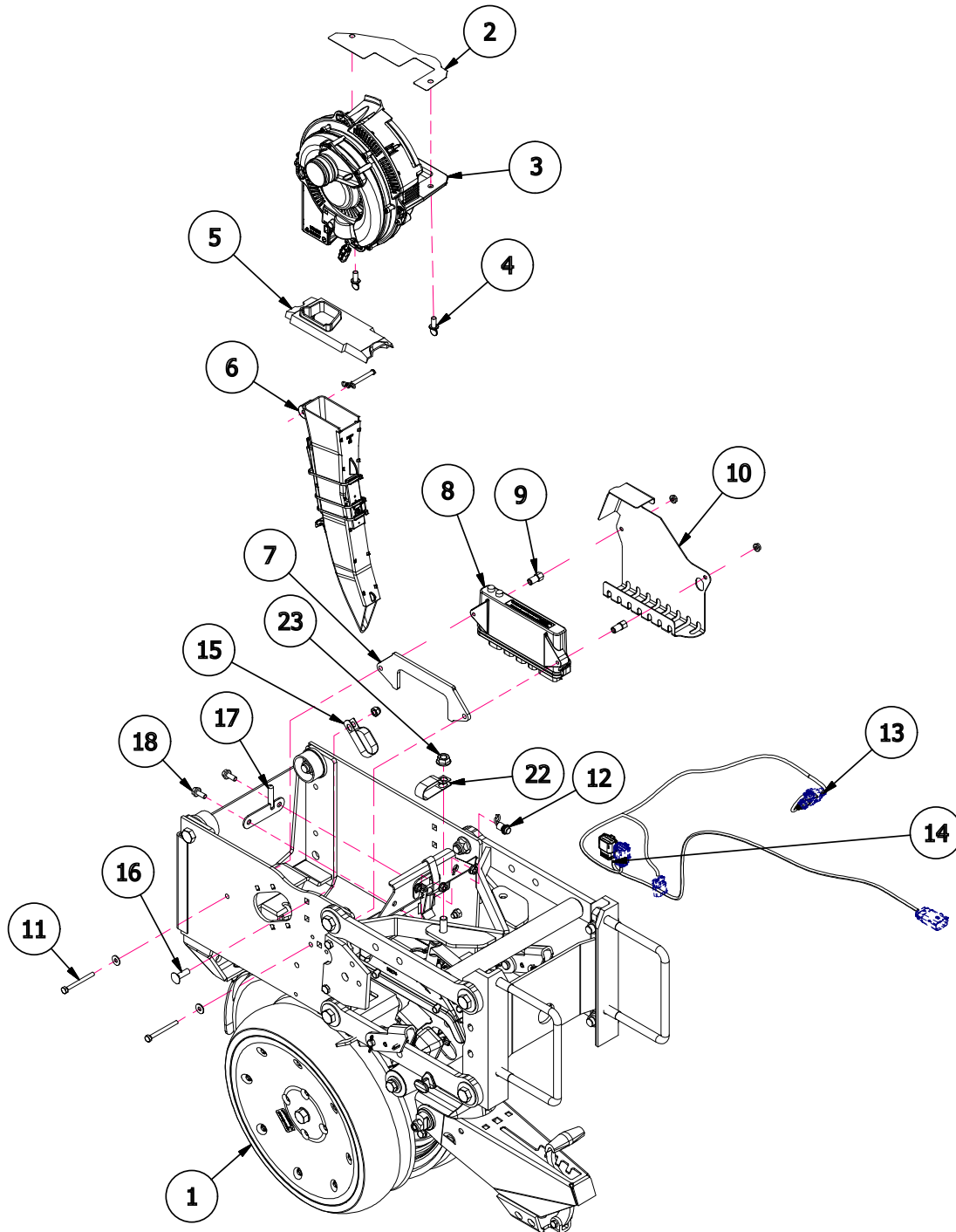
ITEM	PART NO.	QTY.	DESCRIPTION
1	---	-	<a href="#">See "Parallel Arms and Face Plate (Split Row)" P58</a>
2	G10108	2	Lock Nut, 3/8"-16
3	G11387	2	Flat Washer, 3/8" SAE
4	GD8893-01	1	Sleeve, 1 3/8" Long
5	GB0968	1	Idler, Push Unit Drive
6	G10201	1	Special Washer, 3/8" x 1 1/2" O.D.
7	GD11218	1	Spring
8	GD1026	1	Sleeve, 1 3/16"
9	G10101	1	Hex Nut, 3/8"-16
10	G10599	1	Carriage Bolt, 3/8"-16 x 1 1/4"
11	G10307	1	Carriage Bolt, 3/8"-16 x 3 1/2"

(IP1590)



ITEM	PART NO.	QTY. (Per Row)	DESCRIPTION
1	---	-	<a href="#">See "Parallel Arms and Face Plate (Split Row)" P58</a>
2	GB0331	1	Clutch Adapter Plate
3	GA10151	1	Seed Meter Clutch Assembly
4	G10338	2	Carriage Bolt, 5/16"-18 x 1 1/4"
	G10620	2	Serrated Flange Nut, 5/16"-18
5	G3303-41	1	Chain, No. 41, 41 Pitch Including Connector Link
6	G3303-78	1	Chain, No. 41, 78 Pitch Including Connector Link
7	G10108	1	Lock Nut, 3/8"-16
8	G11387	2	Flat Washer, 3/8" SAE
9	GD8893-01	1	Sleeve, 1 3/8" Long
10	GB0968	1	Idler, Push Unit Drive
11	G10201	2	Special Washer, 3/8" x 1 1/2" O.D.
12	GD11218	1	Spring
13	GD1026	1	Sleeve, 1 3/16"
14	GD2971-24	1	Sleeve, 3/4"
15	G10753	1	Hex Head Cap Screw, 3/8"-16 x 4 1/2"
16	G10049	1	Hex Head Cap Screw, 3/8"-16 x 2 1/2"
	G10101	1	Hex Nut, 3/8"-16
	G10108	1	Lock Nut, 3/8"-16
17	GA1720	1	Bearing/Sprocket, 19 Tooth, 7/8" Hex Bore
18	G10047	2	Hex Head Cap Screw, 3/8"-16 x 1 3/4"
19	GD23774	3	Spacer
20	GA16374	1	Electric Clutch (Blue Drive Only)
21	G10310	2	Carriage Bolt, 1/4"-20 x 3/4", Grade 2
	G10621	2	Serrated Flange Nut, 1/4"-20

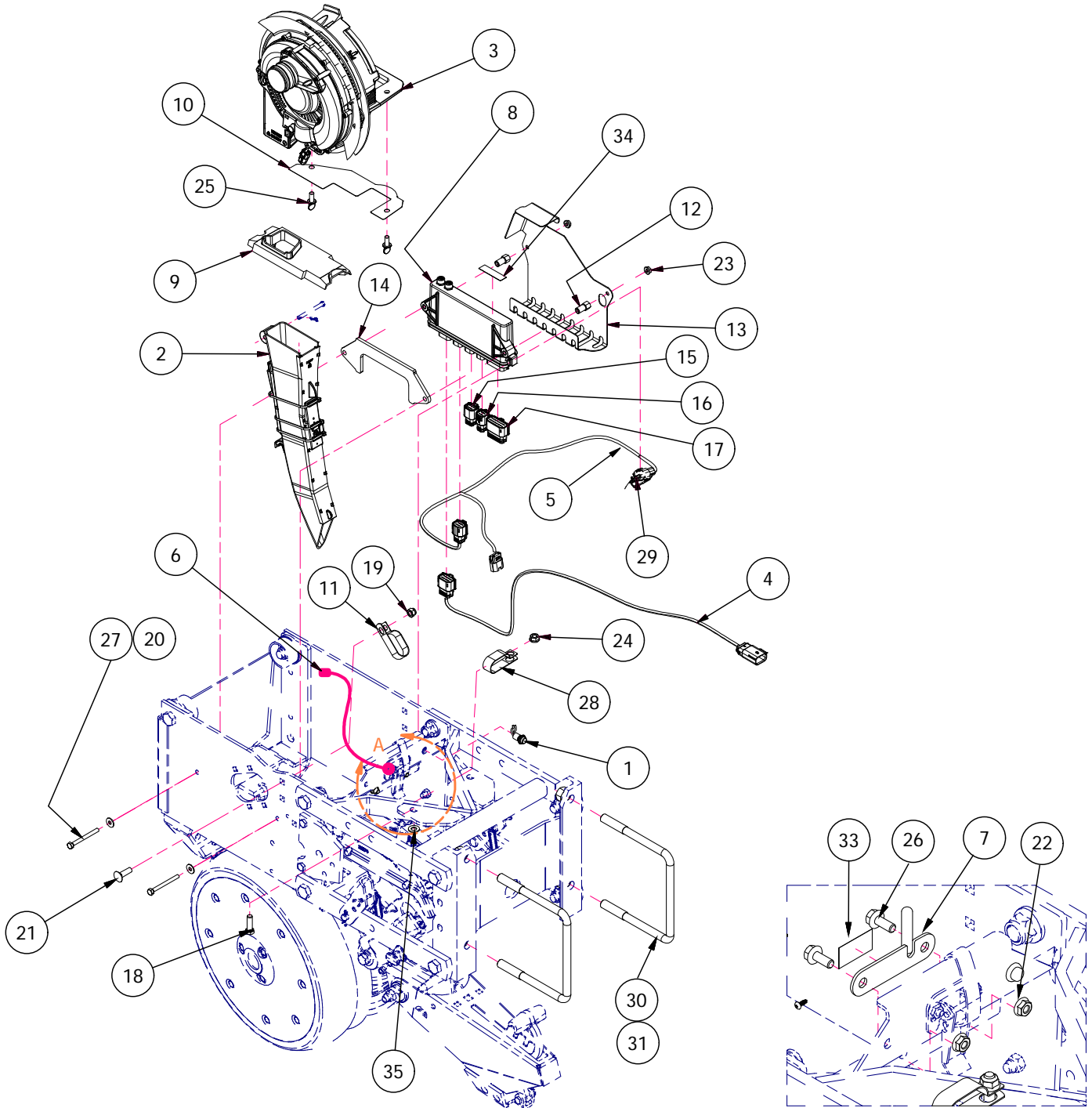
(IP1590)



ITEM	PART NO.	QTY. (Per Row)	DESCRIPTION
1	---	-	<a href="#">See "Clutch Sprocket Assembly" on page P66</a>
2	GD29413	1	Hopper Shim
3	GA21450	1	<a href="#">See "Vacuum Seed Meter" on page P21</a>
4	G11009	2	Locking Thumbscrew, 5/16"-18 x 3/4"
5	GB0926	1	Shank Cover
6	GA20914	1	Seed Tube Sensor
7	GD35629	1	IPN Row Unit Plate
8	GA25949	1	IPN Module Assembly
9	GD35609	2	Hex Standoff
10	GD35628	1	IPN Wire Shield, Push Unit
11	G11929	2	Hex Socket Flange Cap Screw, 5/16"-18 x 3/4"
	G10209	2	Washer, 1/4" USS
	G10621	2	Serrated Flange Nut, 1/4"-20
12	GA15485	1	Switch
13	GA25039	1	Row Unit Seed Meter Harness
14	GA25029	1	Row Unit Power Extension Harness
15	GD35449	1	Double Tube Clamp, 1"
16	G10599	1	Carriage Bolt, 3/8"-16 x 1 1/4"
	G10108	1	Lock Nut, 3/8"-16
17	GA25084	1	Meter Wire Guard
18	G11539	2	Hex Socket Flange Cap Screw, 5/16"-18 x 3/4"
	G10620	2	Serrated Flange Nut, 5/16"-18
19	GD35836	1	Sealed Plug, MX150, 2 x 4, Key B W/CPA
20	GD35837	1	Sealed Plug, MX150, 2 x 3, Key A W/CPA
21	GD35838	1	Sealed Plug, MX150, 2 x 10, Key A W/CPA
22	GD36388	1	1" Double Tube Clamp, 1/2" Bolt
23	G10071	1	Serrated Flange Nut, 1/2"-13
	G10037	1	Hex Head Cap Screw, 1/2"-13 X 1 1/4"
	G11389	1	Flat Washer, 1/2" Plated SAE

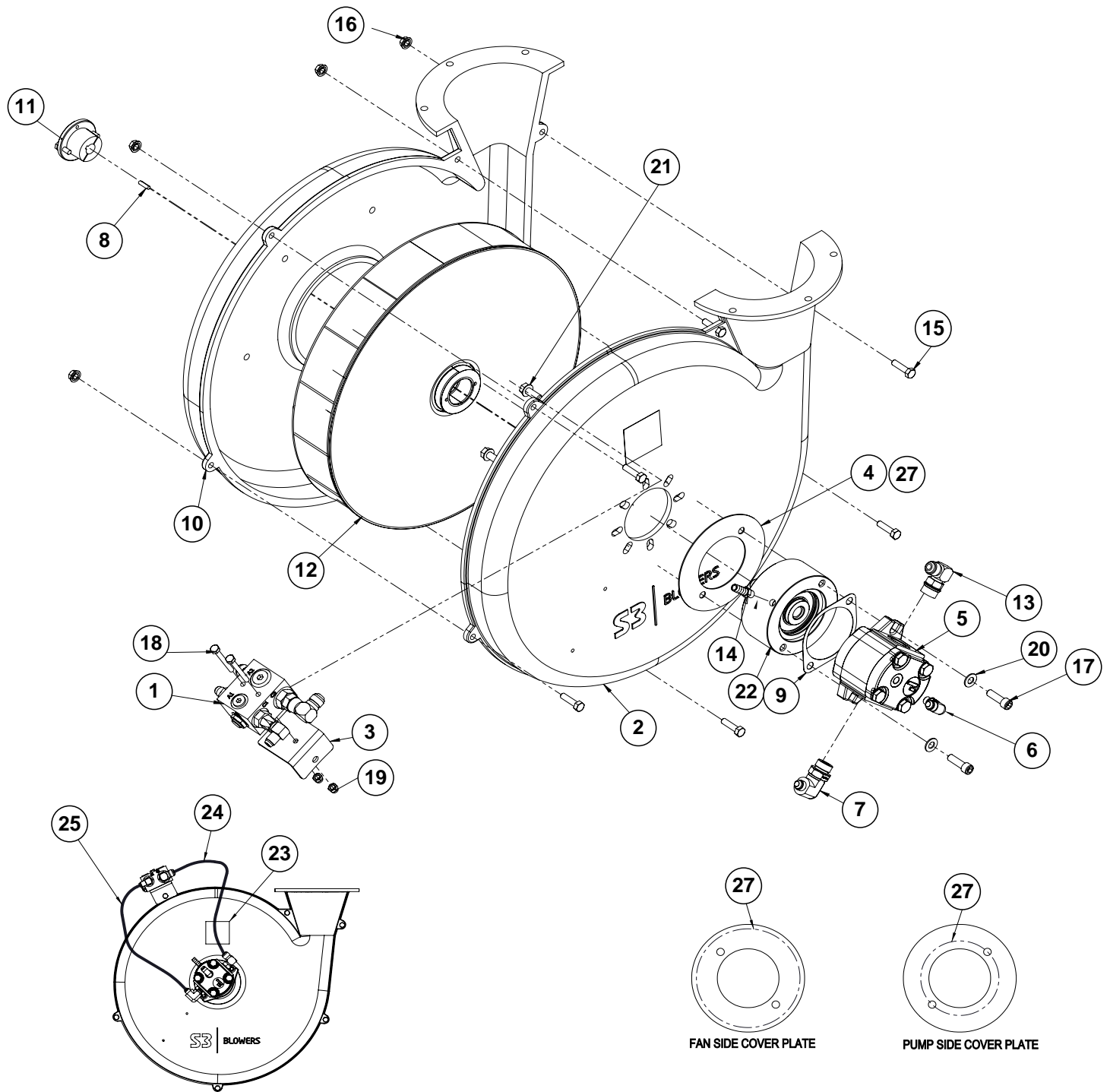


(10021103)



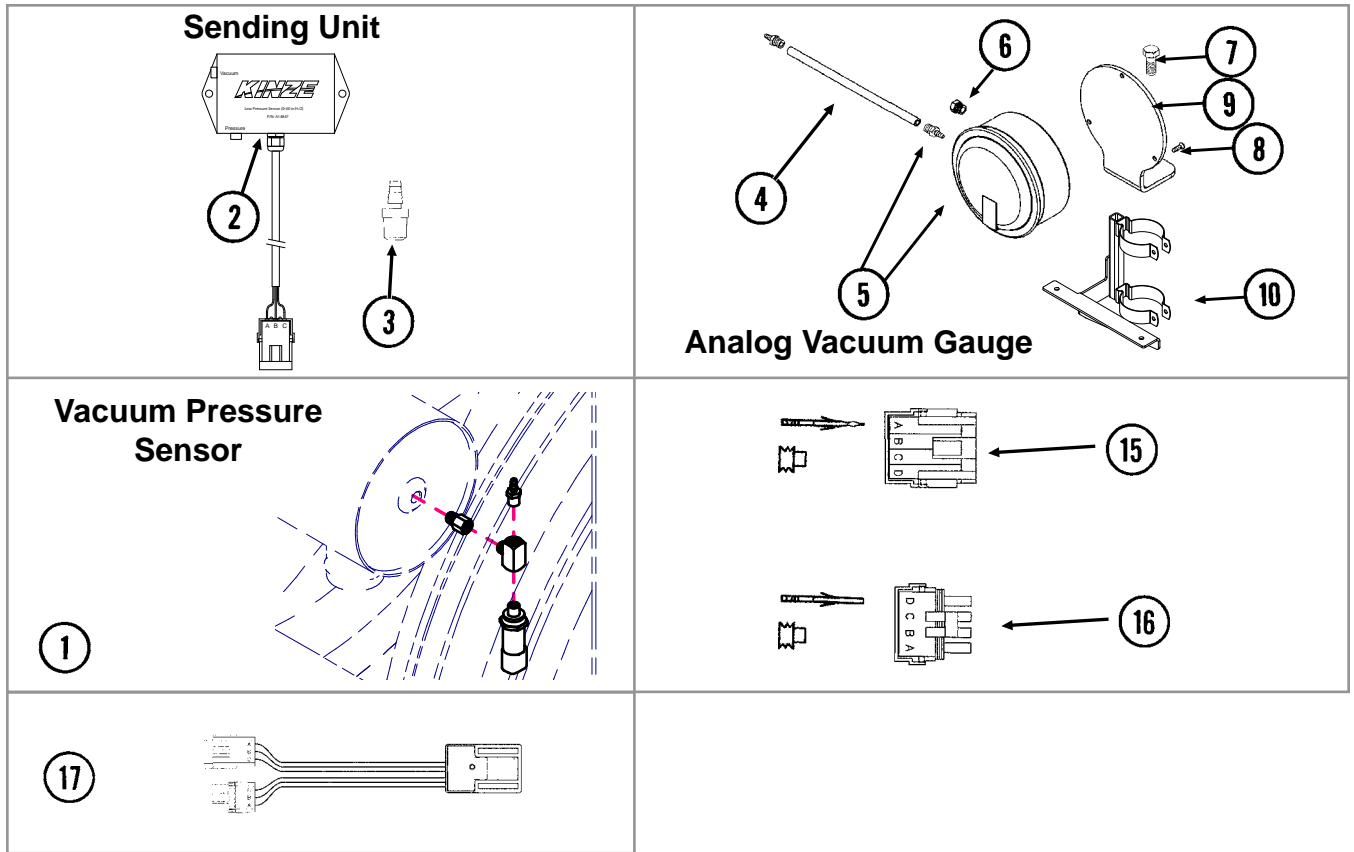
ITEM	PART NO.	QTY. (Per Row)	DESCRIPTION
1	GA15485	1	Switch
2	GA20914	1	Seed Tube Sensor
3	G10113001	1	True Rate Meter with Electric Motor Assembly <b>(Item Shown Not Installed)</b>
4	GA25029	1	Row Unit Power Extension Harness
5	G10884801	1	Push Unit Seed Meter Harness
6	GA20712	1	Row Unit ESD Drain Harness
7	GA25084	1	Meter Wire Guard
8	GA25949	1	IPN Module Assembly
9	GB0926	1	Shank Cover <b>(Item Shown Not Installed)</b>
10	GD29413	1	Hopper Shim <b>(Item Shown Not Installed)</b>
11	GD35449	1	Double Tube Clamp, 1"
12	GD35609	2	Hex Standoff
13	GD35628	1	IPN Wire Shield, Push Unit
14	GD35629	1	IPN Row Unit Plate
15	GD35836	1	Sealed Plug, MX150 2 x 4, Key B W/O CPA
16	GD35837	1	Sealed Plug, MX150, 2 x 3, Key A W/CPA
17	GD35838	1	Sealed Plug, MX150 2 x 10, Key A W/CPA
18	G10004	1	Hex Head Cap Screw, 3/8"-16 x 1 1/4"
19	G10108	1	Lock Nut, 3/8"-16
20	G10209	2	Washer, 1/4" USS
21	G10599	1	Carriage Bolt, 3/8"-16 x 1 1/4"
22	G10620	2	Serrated Flange Nut, 5/16"-18
23	G10621	2	Serrated Flange Nut, 1/4"-20
24	G10622	1	Serrated Flange Nut, 3/8"-16
25	G11009	2	Locking Thumbscrew, 5/16"-18 x 3/4" <b>(Item Shown Not Installed)</b>
26	G11539	2	Hex Socket Flange Cap Screw, 5/16"-18 x 3/4"
27	G11929	2	Hex Head Cap Screw, 1/4"-20 x 2.75", Grade 5
28	GD36388	1	1" Double Tube Clamp, 1/2" Bolt
29	GA18933	1	Dust Plug
30	GD1113	2	U-Bolt, 5" x 7" x 5/8"-11
31	G10104	4	Hex Nut, 5/8"-11
32	G10230	4	Lock Washer, 5/8"
33	G7100-610	1	Decal, IPN/IPR M12 Connector O-ring
34	G10371001	1	Decal, Meter Wire
35	G11387	1	Flat Washer, 3/8" SAE

(109235)



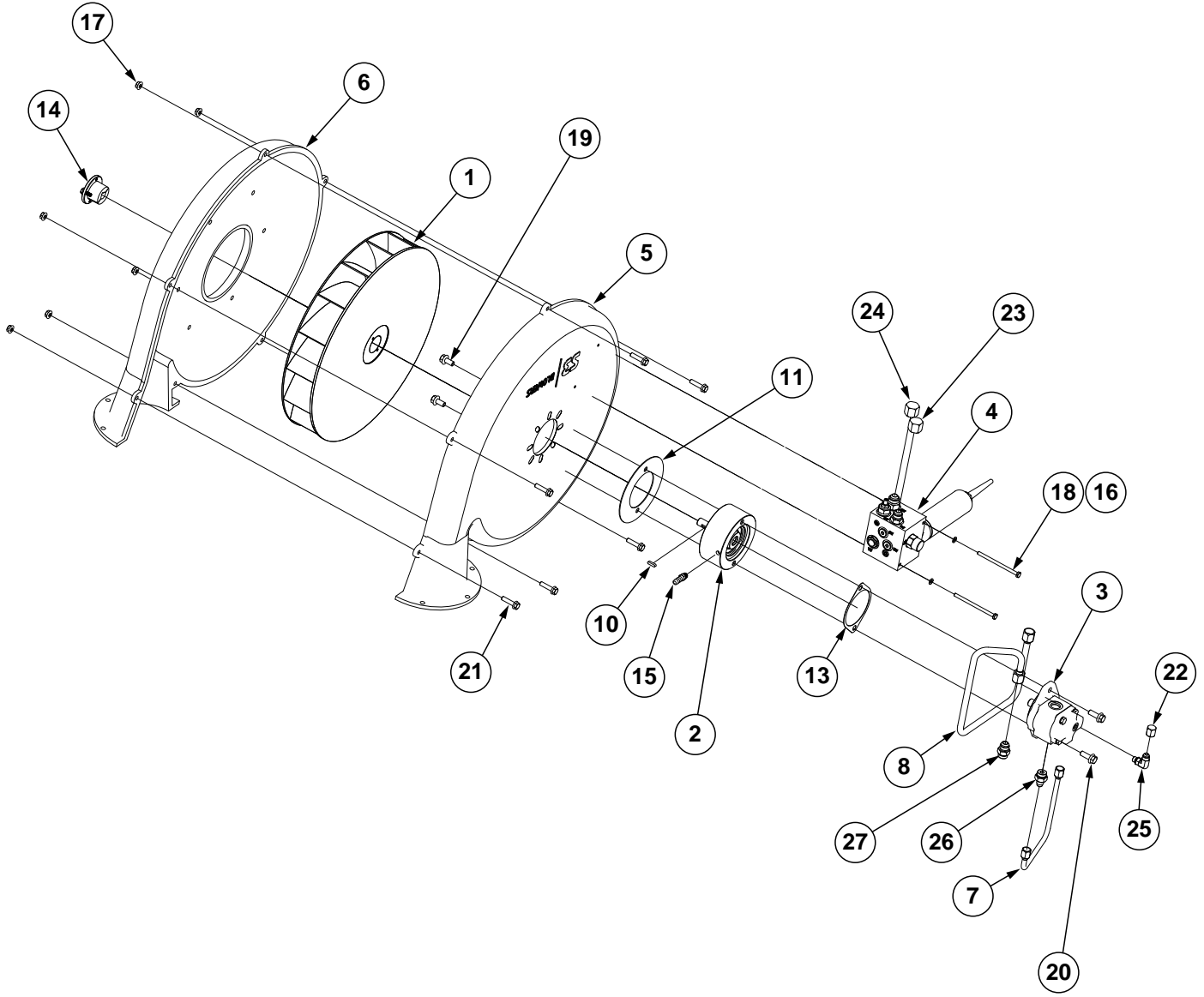
ITEM	PART NO.	QTY.	DESCRIPTION
1	GA26398	1	Bulk Fill/Vacuum Anti-Cavitation Check Valve Block
2	GD35448	1	Vacuum Fan Drive Case
3	GD34098	1	Plate Mount Bracket
4	GD25644	1	Cover Plate
5	GA24426	1	Vacuum Fan Hydraulic Motor W/Seal Kit
6	G6801-06-04	1	Elbow, 90°, 9/16"-18 x 7/16"-20 W/O-Ring
7	G6801-06-10	1	Elbow, 90° 9/16"-18 x 7/8"-14 W/O-Ring
8	GD21300	1	Key, 3/16" x 3/4"
9	GD30882	1	2-Bolt Mount Gasket
10	GD35447	1	Inlet Housing
11	GD34103	1	Bushing
12	GA21510	1	Impeller
13	G6801-08-10	1	Elbow, 90° 3/4"-16 x 7/8"-14 W/O-Ring
14	GD35294	1	Hose Barb, 1/8"-27 NPTF x 3/8"
15	G10171	6	Hex Head Cap Screw, 5/16"-18 x 1 1/4"
16	G10620	6	Serrated Flange Nut, 5/16"-18
17	G11848	2	Hex Socket Head Cap Screw, 3/8"-16 x 1-1/4"
18	G10880	2	Hex Head Cap Screw, 1/4"-20 x 2 1/4"
19	G11320	2	Lock Nut, 1/4"-20, Grade B
20	G11387	2	Hardened Washer, 3/8 SAE
21	G11124	2	Hex Serrated Flange Cap Screw, 3/8"-16 x 1"
22	GA25388	1	Load Adapter
23	G10367101	1	Decal, Caution
24	GA12767	1	Hose Assy 1/2 X 22.0 (08F-08F)
25	GA3292	1	Hose Assy 3/8 X 22 (06F-06F)
26	GD20984	1	LOCTITE 243
27	GD27215	1	Silicone Sealer, Dow Corning 732, Clear

**This page left blank intentionally.**



ITEM	PART NO.	QTY.	DESCRIPTION
1	GA14805	1	Air Pressure/Vacuum Sensor
	GD28372	1	1/8" NPT Tee, Brass (Female/Male/Female)
	GD35903	1	Adapter Male 1/8 NPT
	GR1736	1	Hose Barb, 1/8" Male NPT To Barb
2	GA14847	1	Low Pressure Sensor (0-40 IN H <sub>2</sub> O)
	GD17151-03	-	Nylon Tubing, 1/4" O.D. x 37'
	GA9964	-	Strain Relief
3	GR1736	1	Hose Barb, 1/8" Barb To 1/8" Male NPT
4	GD15849-02	1	Clear Plastic Tubing, 5/16" O.D. x 3/16" I.D. x 120"
5	GA21406	1	Pressure Gauge W/Hose Barb
	GR1777	-	Hose Barb, 1/8" Male NPT To 3/16" Barb (Included W/GA21406)
6	GA10799	1	Breather, 1/8" Male NPT
7	G10001	1	Hex Head Cap Screw, 3/8"-16 x 1"
	G10108	1	Lock Nut, 3/8"-16
8	G11215	3	Hex Socket Head Cap Screw, No. 6-32 x 3/8", Grade 8
9	GD15804	1	Mount
10	GA14600	1	Pressure Gauge Mount
15	GA8328	-	4-Pin Female Connector Kit, 4 Seals And 4 Pin Contacts
16	GA8329	-	4-Pin Connector W/Male Housing, 4 Seals And 4 Socket Contacts
17	GA12812	-	Hall Effect Adapter

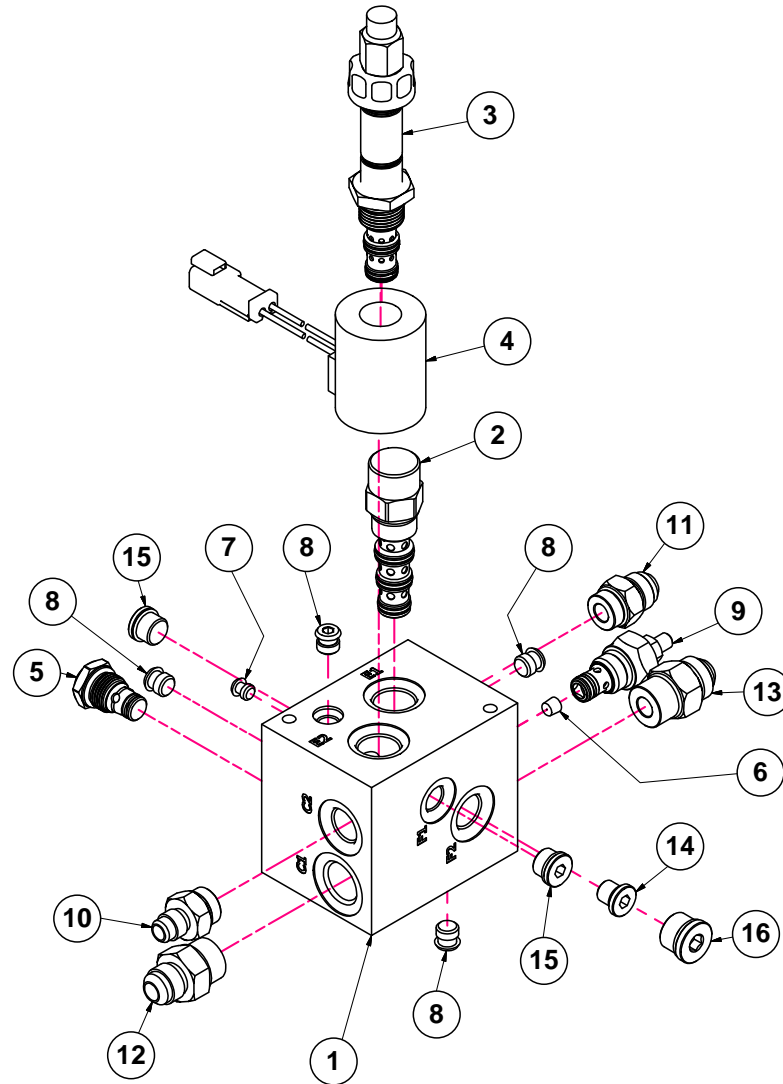
(A26162)



ITEM	PART NO.	QTY.	DESCRIPTION
1	GA21510	1	Impellor
2	GA25388 GD20928	1 -	Overhung Load Adapter Bearing (Included W/GA25388)
3	GA25397 GR1734	1 -	Vacuum Fan Motor Motor Repair/Seal Kit
4	---	-	<a href="#">See "Hydraulic Valve Block on Vacuum Motor" on page P80</a>
5	GD35448	1	Drive Housing
6	GD35447	1	Inlet Housing
7	GA25434	1	Steel Hydraulic Line, 3/8"
8	GA25435	1	Steel Hydraulic Line, 1/2"
9	---	-	---
10	GD21300	1	Key
11	GD25644	1	Cover Plate
12	---	-	---
13	GD30882	1	2-Bolt Mount Gasket
14	GD34103	1	Bushing
15	GD35294	1	Hose Barb, 1/8"-27 NPTF x 3/8"
16	G10227	2	Lock Washer, 1/4"
17	G10620	6	Serrated Flange Nut, 5/16"-18
18	G10943	2	Hex Head Cap Screw, 1/4"-20 x 4"
19	G11123	2	Hex Serrated Flange Cap Screw, 3/8"-16 x 3/4"
20	G11124	2	Hex Serrated Flange Cap Screw, 3/8"-16 x 1"
21	G11921	6	Hex Serrated Flange Cap Screw, 5/16"-18 x 1 1/4", Grade 5
22	G304-C-06	1	Cap Nut, 9/16"-18
23	G304-C-8	1	Cap Nut, 3/4"-16
24	G304-C-10	1	Cap Nut, 7/8"-14
25	G6801-06-04	1	Elbow, 90°, 9/16"-18 x 7/16"-20 W/O-Ring
26	G6400-06-08 GR1037	1 -	Connector W/O-Ring, 9/16"-18 Male JIC To 3/4"-16 O-Ring O-Ring
27	G6400-08 GR1037	1 -	Connector W/O-Ring, 3/4"-16 Male JIC To O-Ring O-Ring

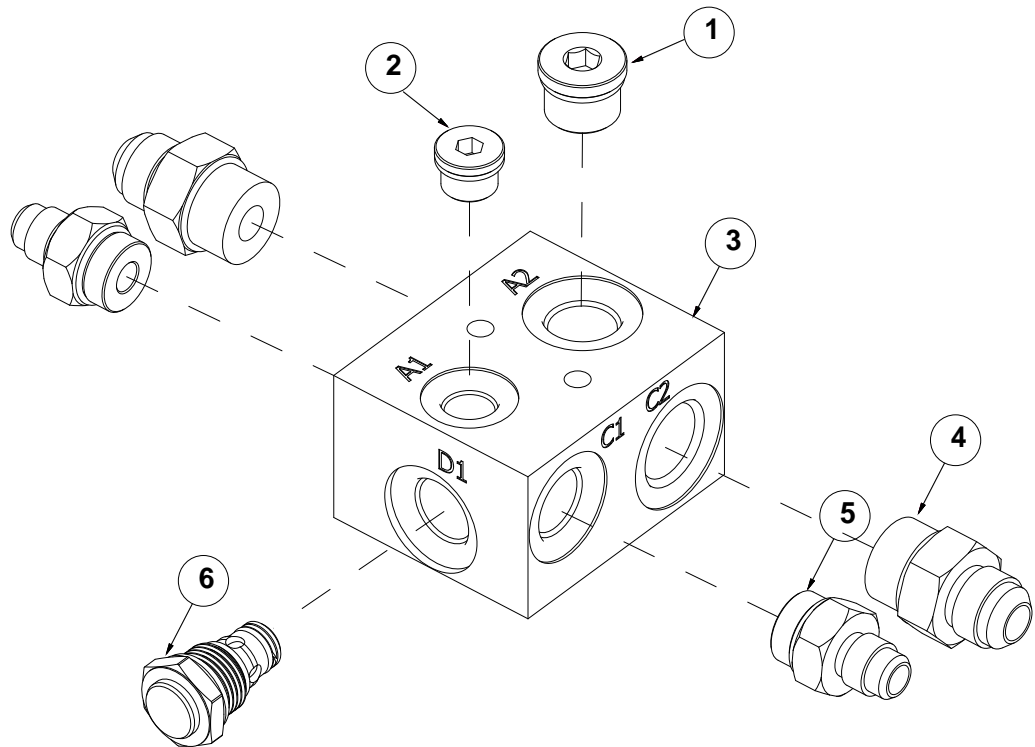


(A26164)



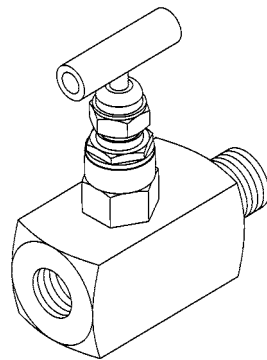
ITEM	PART NO.	QTY.	DESCRIPTION
1	GD30571	1	Bulk Fill Fan Valve Block
2	GA20270	1	Pressure Compensator, 150 PSI
3	GA20271	1	Proportional Flow Control, 0-8 GPM
4	GA20272	1	Coil, 12VDC
5	GA21067	1	Check Valve, No. 8
6	GD29315	1	Flow Restrictor Orifice, .015" Diameter
7	GD29318	1	Plug
8	GD29321	4	Plug
9	GD35446	-	Inverse Relief 8-2 <b>(Conventional)</b>
	or GA21067	-	Check Valve, No. 8 <b>(Bulk Fill)</b>
10	G6400-06-08	1	Adapter, 9/16-18 JIC, 3/4-16 O-Ring
11	G6400-08	1	Adapter, 3/4-16 JIC, 3/4-16 O-Ring
12	G6400-08-10	1	Connector W/O-Ring, 3/4"-16 Male JIC To 7/8"-14 O-Ring
13	G6400-10	1	Connector W/O-Ring, 7/8"-14 Male JIC To O-Ring
14	G6408-H04-0	1	Hex Socket Head Plug, 7/16"-20
15	G6408-H06-O	2	O-Ring Plug, 9/16-18 Hex Soc Head
16	G6408-H08-0	1	Hex Socket Head Plug W/O-Ring, 3/4"-16

(A24507)



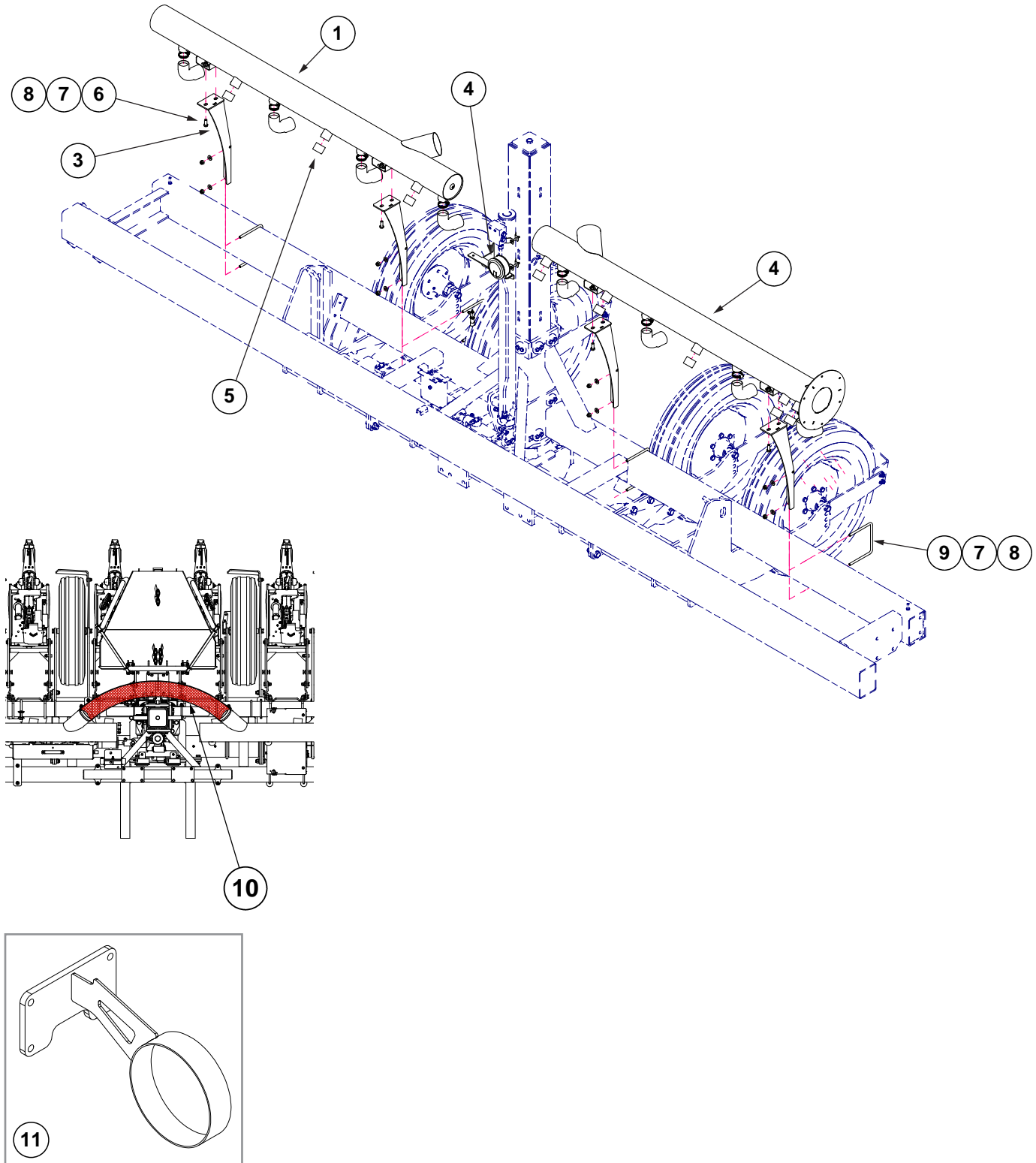
ITEM	PART NO.	QTY.	DESCRIPTION
1	G6408-H08-0	1	Hex Socket Head Plug W/O-Ring, 3/4"-16
2	G6408-H06-O	1	Hex Socket Head Plug W/O-Ring, 9/16"-18 O-Ring
3	GD33511	1	Valve Block
4	G6400-08-10	2	Connector W/O-Ring, 3/4"-16 Male JIC To 7/8"-14 O-Ring
5	G6400-06-08	2	Connector W/O-Ring, 9/16"-18 Male JIC To 3/4"-16 O-Ring
6	GA21067	1	Check Valve, No. 8

(A11650)



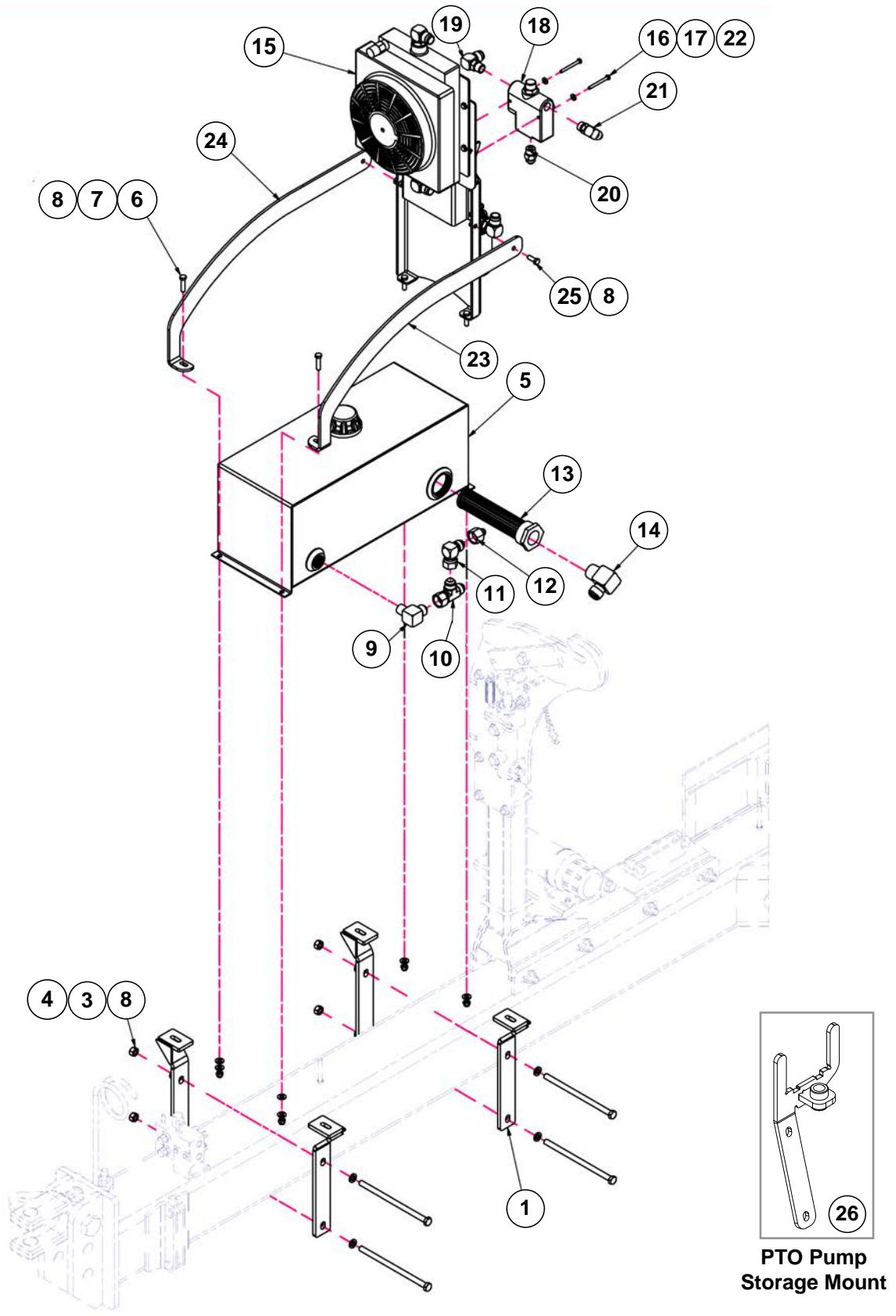
ITEM	PART NO.	QTY.	DESCRIPTION
1	G1K426	-	Needle Valve Kit W/Instructions

(A27169)



ITEM	PART NO.	QTY.	DESCRIPTION
1	GA25736	1	Vacuum Manifold, R.H.
2	GA25735	1	Vacuum Manifold, L.H.
3	GA25737	4	Vacuum Manifold Mount
4	GA27174	1	<a href="#">See "Digital and Analog Vacuum Gauges" on page P77</a>
5	G11147	-	Cap, 2"
6	G10037	8	Hex Head Cap Screw, 1/2"-13 X 1 1/4"
7	G10111	16	Lock Nut, 1/2"-13
8	G11389	24	Flat Washer, 1/2" Plated SAE
9	GD11721	4	U-Bolt, 5" x 7" x 1/2"-13
10	GD15867-13	1	Reinforced Hose, 5" x 64"
	G11188	1	T-Bolt Clamp, 5 1/4"
11	GA24381	1	Bracket
	GD19212	2	U-Bolt, 2 1/2" x 3/8"-16
	G11091	4	Serrated Flange Nut, 3/8"-16

(A25745/A26135/A26136)



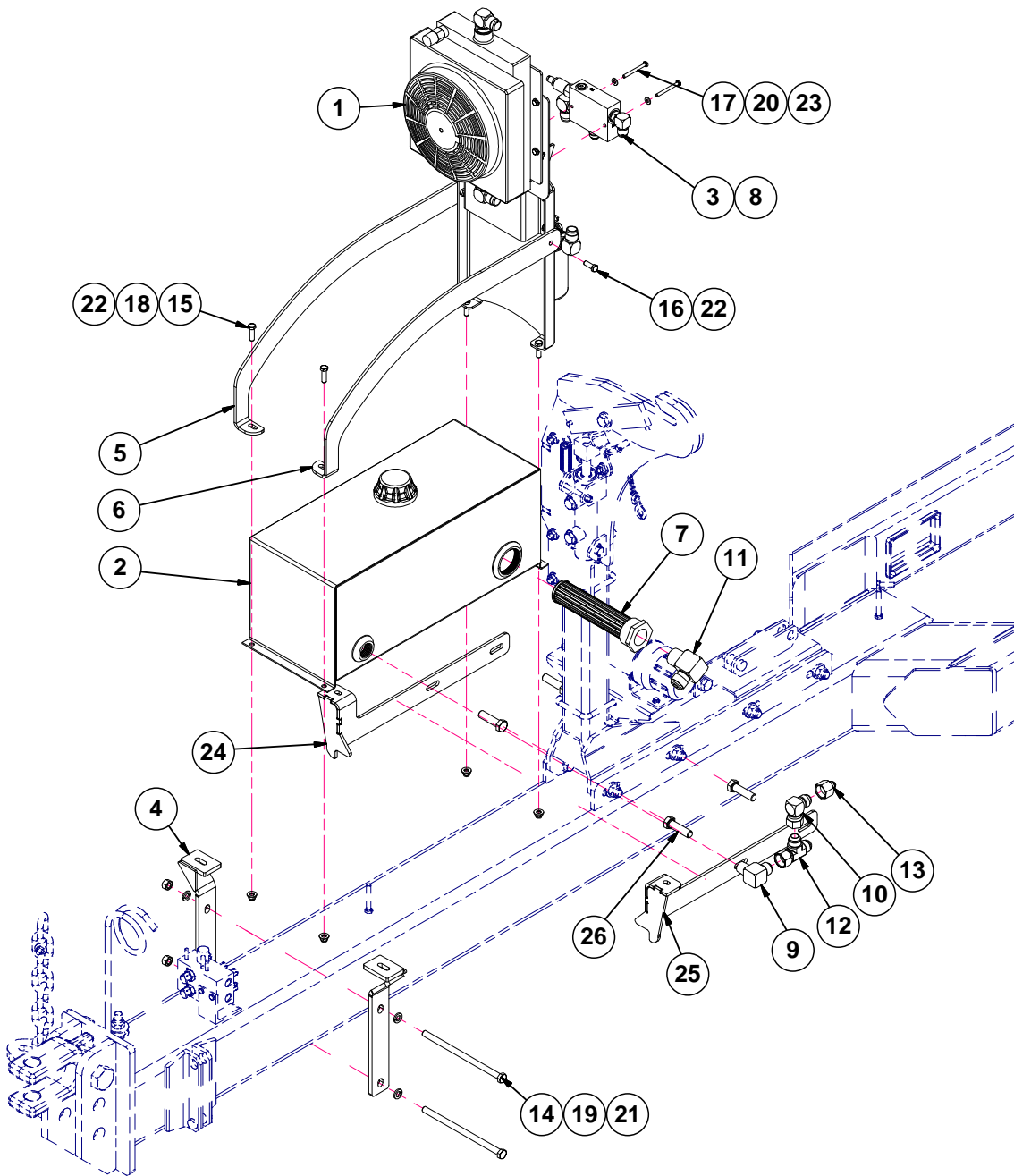
PTO Pump Drive and Oil Cooler Option, Ground Contact Drive

M0311-02

Model 3505

ITEM	PART NO.	QTY.	DESCRIPTION
1	G10018501	4	Tank Mount
2	G10909	4	Hex Head Cap Screw, 1/2"-13 x 9"
3	G10228	8	Lock Washer, 1/2"
4	G10102	4	Hex Nut, 1/2"-13
5	G10200501	1	Hydraulic Tank, 10 Gal. W/Strainer
6	G10003	2	Hex Head Cap Screw, 3/8"-16 x 1 1/2"
7	G11387	6	Hardened Washer, 3/8" SAE
8	G10108	6	Lock Nut, 3/8"-16
9	G2501-12-16	1	Elbow, 90°, 1-1/16"-12 Male JIC To 1" NPT
10	G6602-12	1	Swivel Tee, 1-1/16"-12
11	G6500-12	1	Swivel Elbow, 90°, 1 1/16"-12 Male JIC To Female
12	G2406-12-08	1	Reducer Tee, 1-1/16"-12 JIC x 3/4"-16
13	GD16040	1	Tank Mounted Strainer (Included W/ G10200501)
14	G2501-16-20	1	Elbow, 90°, 1-5/16" Male JIC To 1-1/4" NPT
15	G10048501	1	<a href="#">See "PTO Cooler and Filter Assembly w/ Mounts" on page P88</a>
16	G11385	4	Flat Washer, 1/4" SAE
17	G10110	2	Lock Nut, 1/4"-20, Grade B
18	GA10918	1	Flow Control Valve ( <b>Vacuum Planters Only</b> )
19	G6801-12-10 or G6801-06-10 GR1466	1 1 -	Elbow W/O-Ring, 90°. 1-1/16"-12 Male JIC To 7/8"-14 O-Ring ( <b>Conventional Vacuum/Bulk Fill Mechanical Planters</b> ) Elbow, 9/16"-18 x 7/8"-14 W/O-Ring ( <b>Bulk Fill Vacuum Planters</b> ) O-Ring
20	G6400-10 GR1466	1 -	Adapter, 7/8-14 JIC, 7/8-14 O-Ring O-Ring
21	G6801-10 or G6801-06-10 GR1466	1 1 -	Elbow W/O-Ring, 90°, 7/8"-14 Male JIC To O-Ring ( <b>Conventional Vacuum Planters</b> ) Elbow, 9/16"-18 x 7/8"-14 W/O-Ring ( <b>Bulk Fill Vacuum Planters</b> ) O-Ring
22	G10403	2	Hex Head Cap Screw, 1/4"-20 x 2-1/2"
23	G10048401	1	Bracket, L.H.
24	G10048301	1	Bracket, R.H.
25	G10001	2	Hex Head Cap Screw, 3/8"-16 x 1"
26	G10018001 G10111 G11389 GD7145	- 2 2 1	Universal PTO Pump Storage Mount Lock Nut, 1/2"-13 (Included W/ 658-00932) Flat Washer, 1/2" Plated SAE (Included W/ 658-00932) U-Bolt, 7" x 7" x 1/2"-13 (Included W/ 658-00932)
A	G8475X	-	PTO Pump (Universal) W/ PTO Reservoir Tank

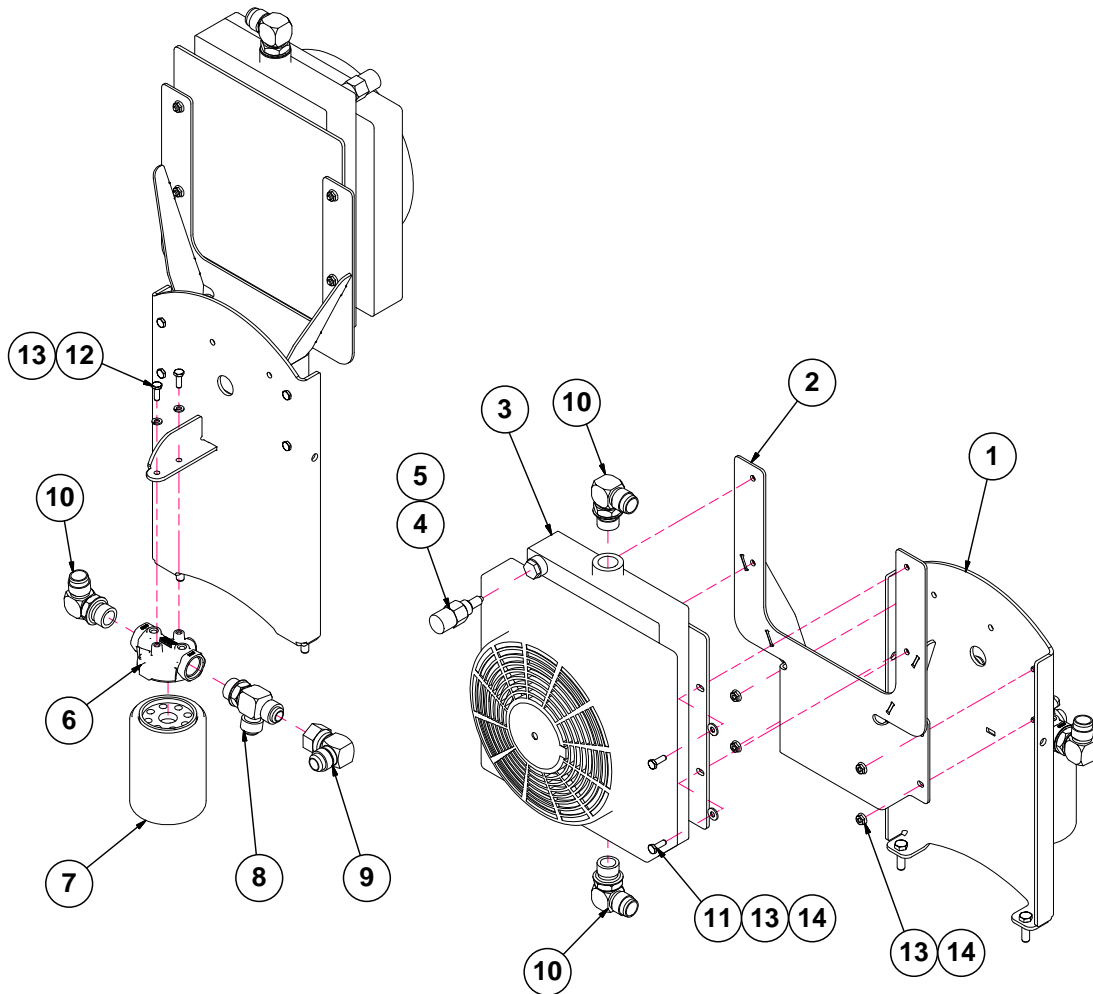
(100508)



ITEM	PART NO.	QTY.	DESCRIPTION
1	G10048501	1	<a href="#">See "PTO Cooler and Filter Assembly w/ Mounts" on page P88</a>
2	G10200501	1	Hydraulic Tank, 10 Gal. W/Strainer
3	GA25606	1	<a href="#">See "PTO Hydraulic Block Assembly, Blue Drive" on page P175</a>
4	G10018501	2	Tank Mount
5	G10048301	1	Bracket, R.H.
6	G10048401	1	Bracket, L.H.
7	G16040	1	Tank Mounted Strainer
8	---	-	<a href="#">See "Blue Drive Vacuum Planter W/ PTO Hydraulic System" on page P194</a>
9	G2501-12-16	1	Elbow, 90°, 1 1/16"-12 Male JIC To 1" NPT
10	G6500-12	1	Swivel Elbow, 90°, 1 1/16"-12 Male JIC To Female
11	G2501-16-20	1	Elbow, 90°, 1 5/16" Male JIC To 1 1/4" NPT
12	G6602-12	1	Swivel Tee, 1-1/16"-12
13	G2406-12-08	1	Reducer Tee, 1-1/16"-12 JIC x 3/4"-16
14	G10909	2	Hex Head Cap Screw, 1/2"-13 x 9"
15	G10004	2	Hex Head Cap Screw, 3/8"-16 x 1 1/4"
16	G10001	2	Hex Head Cap Screw, 3/8"-16 x 1"
17	G10403	2	Hex Head Cap Screw, 1/4"-20 x 2 1/2"
18	G11387	4	Hardened Washer, 3/8" SAE
19	G10228	4	Lock Washer, 1/2"
20	G11385	4	Flat Washer, 1/4" SAE
21	G10102	2	Hex Nut, 1/2"-13
22	G10108	6	Lock Nut, 3/8"-16
23	G10110	2	Lock Nut, 1/4"-20, Grade B
24	G10300601	1	PTO Tank Holder, L.H.
25	G10300501	1	PTO Tank Holder, R.H.
26	G10006	4	Hex Head Cap Screw, 5/8"-11 x 2 1/4"
A	G8475X	-	PTO Pump (Universal) W/ PTO Reservoir Tank

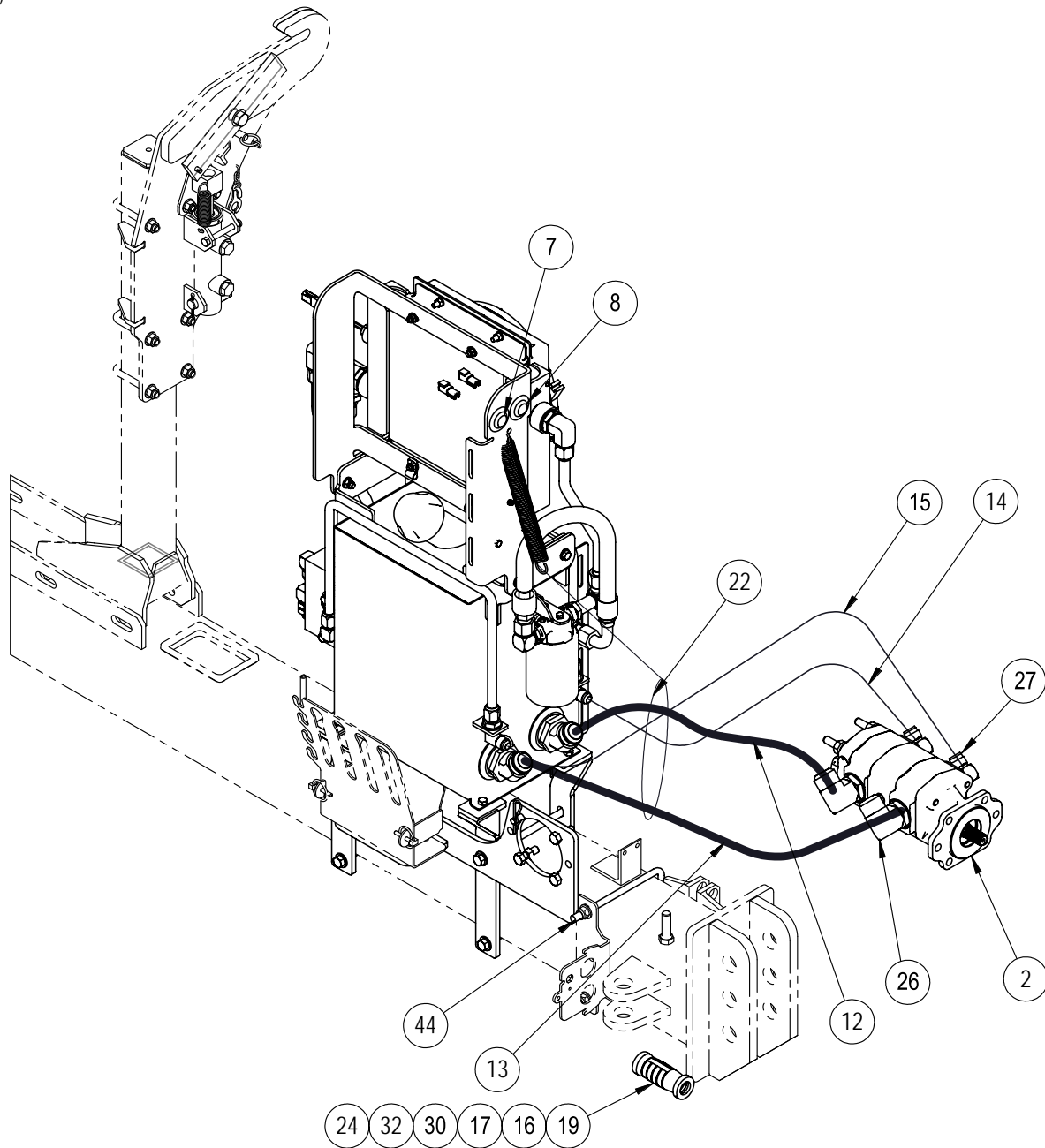


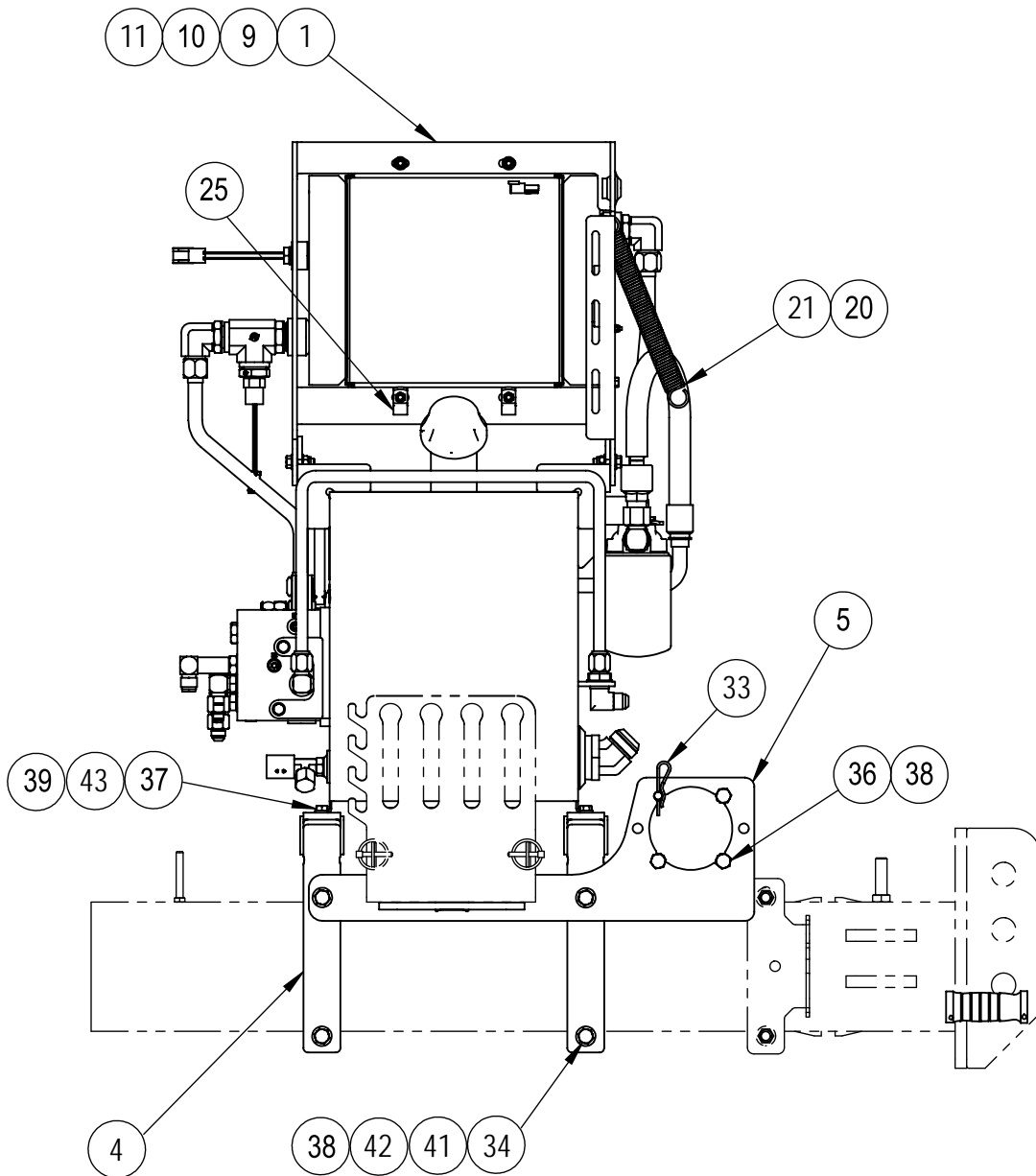
(100485)

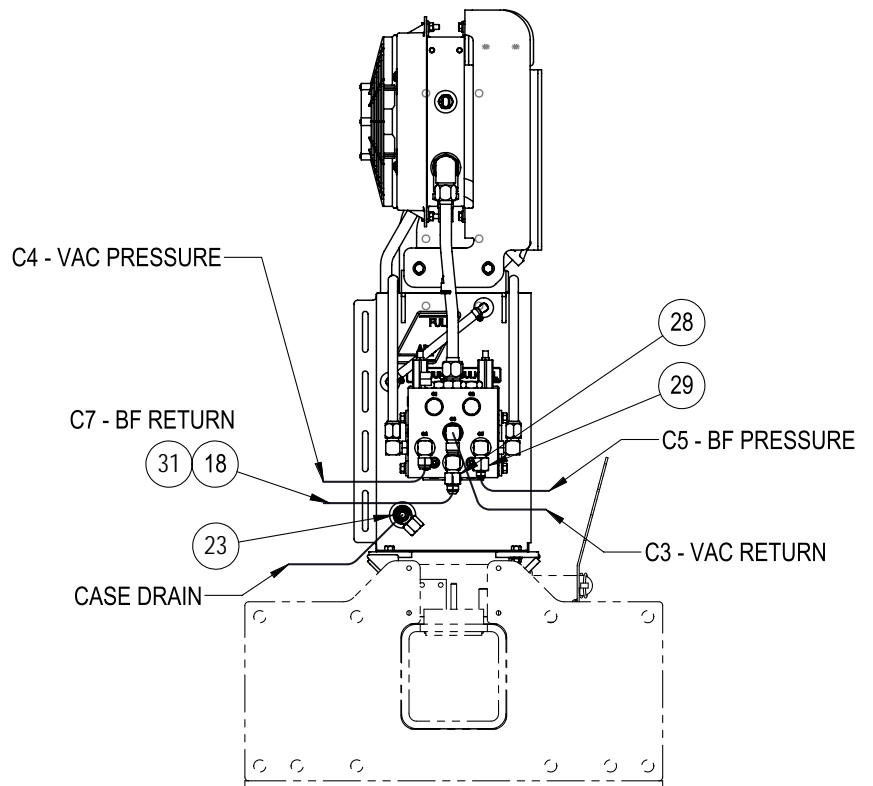
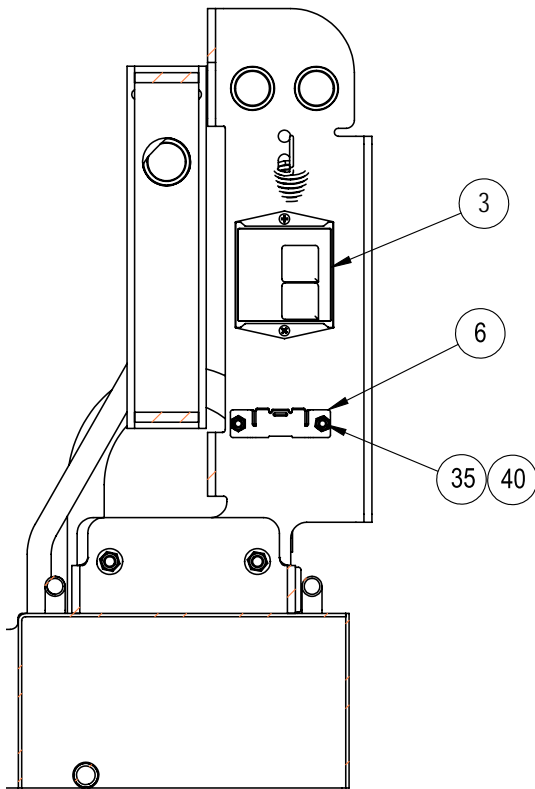


ITEM	PART NO.	QTY.	DESCRIPTION
1	G10048201	1	Mounting Bracket
2	G10047801	1	Fan Mount
3	GA17113	1	Fan and Cooler
4	G10087001	1	Tempature Sensor
5	GA20283	1	PTO Reservoir Fan Wire Harness
6	GD16038	1	Filter Head
7	GD16037	1	Oil Filter, 10 Micron
8	G6804-12	1	Adjustable Tee W/O-Ring, 1 1/16"-12 Male JIC To O-Ring
9	G6500-12	1	Swivel Elbow, 90°, 1 1/16"-12 Male JIC To Female
10	G6801-12	3	Elbow W/O-Ring, 90°, 1 1/16"-12 Male JIC To O-Ring
11	G11385	4	Flat Washer, 1/4" SAE
12	G10227	2	Lock Washer, 1/4"
13	G10023	10	Hex Head Cap Screw, 1/4"-20 x 3/4"
14	G10621	8	Serrated Flange Nut, 1/4"-20

(106144)



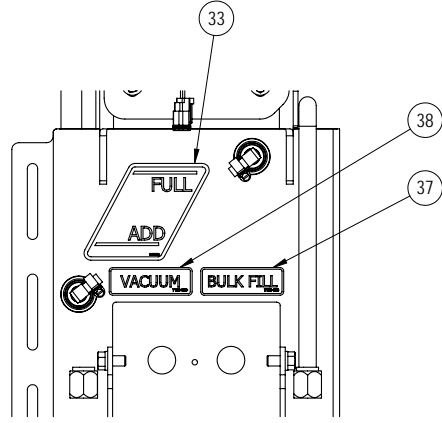
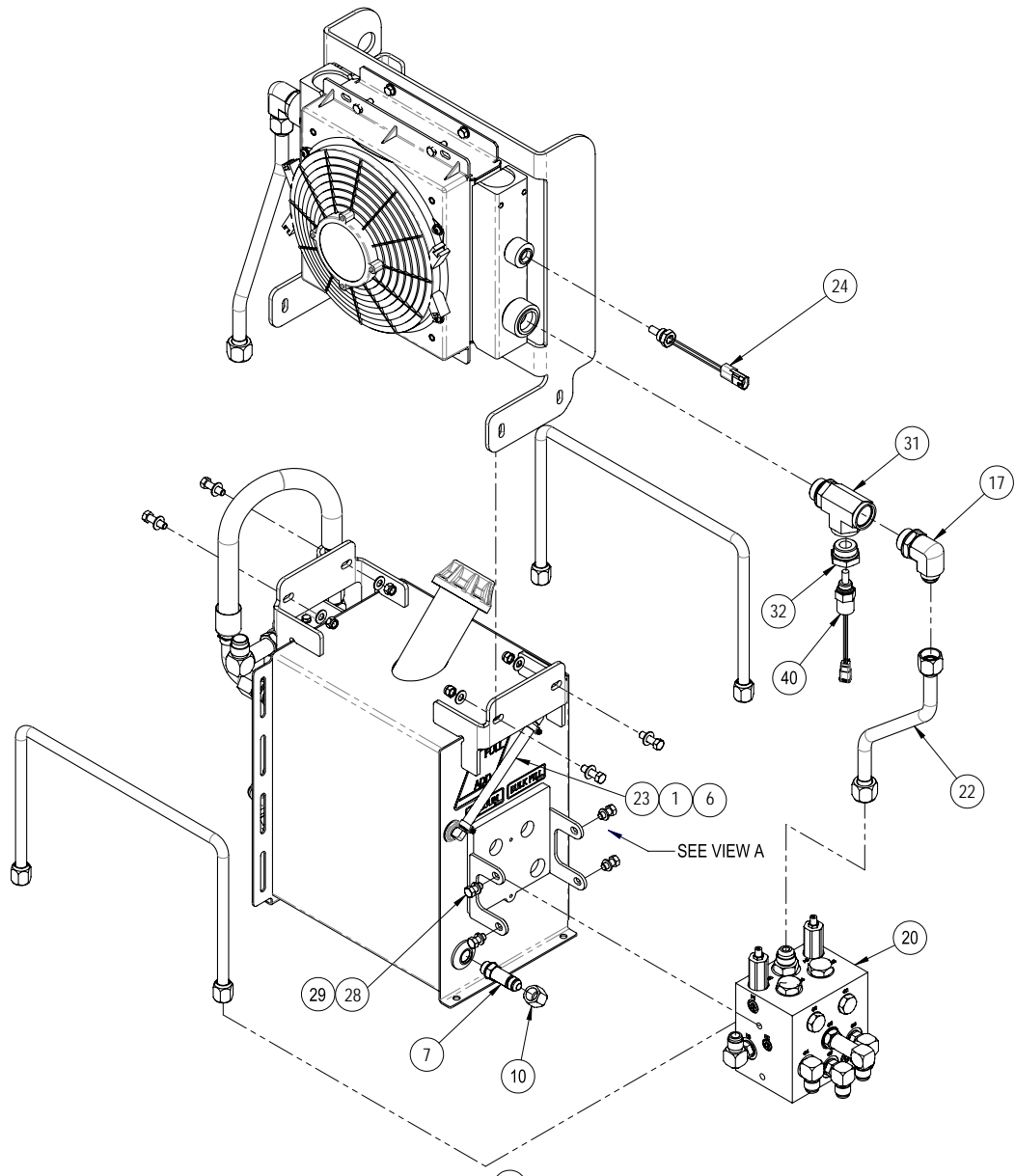


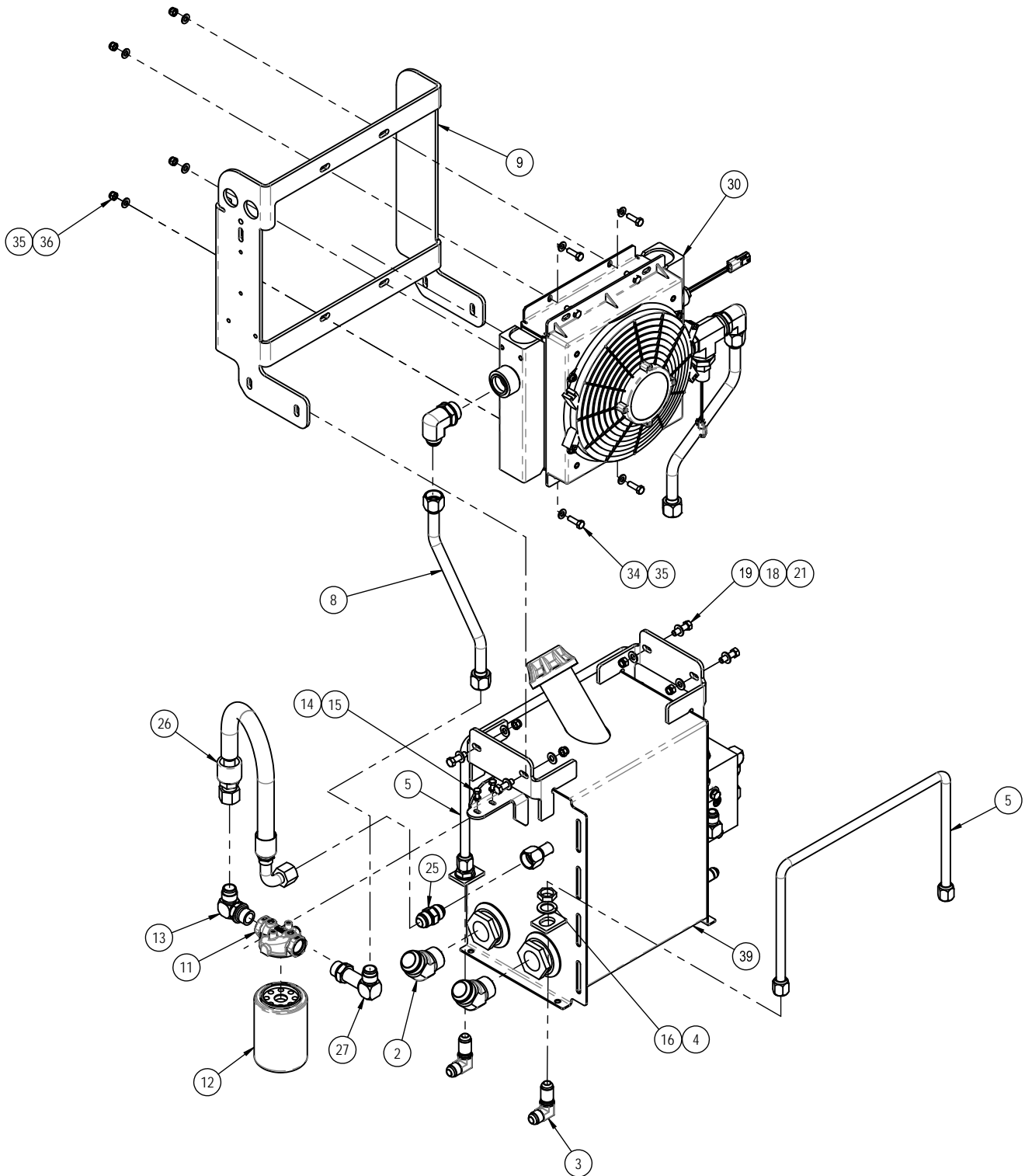


ITEM	PART NO.	QTY.	DESCRIPTION
1	G10333701	1	<a href="#">See "PTO Reservoir" on page P93</a>
2	G10288701	1	Gear Pump
3	G10396901	1	Reverser Module
4	G10018501	4	Tank Mount
5	G10614501	1	PTO Pump Mount
6	G10567801	1	Relay Module Mount Bracket
7	G10098401	1	PTO Red Light Harness
8	G10098301	1	PTO Green Light Harness
9	G10049501	1	Tractor Battery Connection Harness and Fuse Kit
10	G10724901	1	Tractor Power Harness
11	G10649801	1	PTO Harness
12	*A11810-68	1	Hose Assembly, 1" x 68" (20F - 20F)
13	*A11810-72	1	Hose Assembly, 1" x 72" (20F - 20F)
14	*A25707-68	1	Hose Assembly, 1/2" AR x 68" (10F45 - 12F)
15	*A25707-72	1	Hose Assembly, 1/2" AR x 72" (10F45 - 12F)
16	*A15082-77	1	Hose Assembly, 3/8" x 77" (06F - 06M JIC)
17	*A26938-266	1	Hose Assembly, 3/8" x 266"
18	*A25704-242	1	Hose Assembly, 1/2" AR x 242" (08F - 08M JIC)
19	GA26924-11	1	Hose Label Cover, Orange, Retract
20	GA14152	1	Hose Strap
21	GD0829	1	Spring
22	GD19383-03	1	Hose Wrap, 60"
23	GD10057-19	1	Shrink Tube Label
24	GD25522	1	Hydraulic Tip Cover
25	GD6291	2	Insulated Clamp, 3/8"
26	G6801-20	2	Elbow W/O-Ring, 90°, 1 5/8"-12 Male JIC To O-Ring
27	G6801-12	2	Elbow W/O-Ring, 90°, 1 1/16"-12 Male JIC To O-Ring
28	G2406-10-08	1	Tube Reducer
29	G2406-10-06	1	Tube Reducer
30	G2403-06	1	Union
31	G304-C-8	1	Cap Nut, 3/4"-16
32	G304-C-06	1	Cap Nut, 9/16"-18
33	G10592	1	Hair Pin Clip, No. 11
34	G10909	4	Hex Head Cap Screw, 1/2"-13 x 9"
35	G10023	2	Hex Head Cap Screw, 1/4"-20 x 3/4"
36	G10017	3	Hex Head Cap Screw, 1/2"-13 x 1 1/2"
37	G10001	4	Hex Head Cap Screw, 3/8"-16 x 1"
38	G10102	7	Hex Nut, 1/2"-13
39	G10108	4	Lock Nut, 3/8" -16
40	G10110	2	Lock Nut, 1/4"-20, Grade B
41	G11389	4	Flat Washer, 1/2" SAE
42	G10228	4	Lock Washer, 1/2"
43	G11387	4	Hardened Washer, 3/8" SAE
44	GD7145	1	U-Bolt, 7" x 7" x 1/2"-13

**\*Hydraulic hose is not stocked by Kinze Repair Parts.**

(103337)





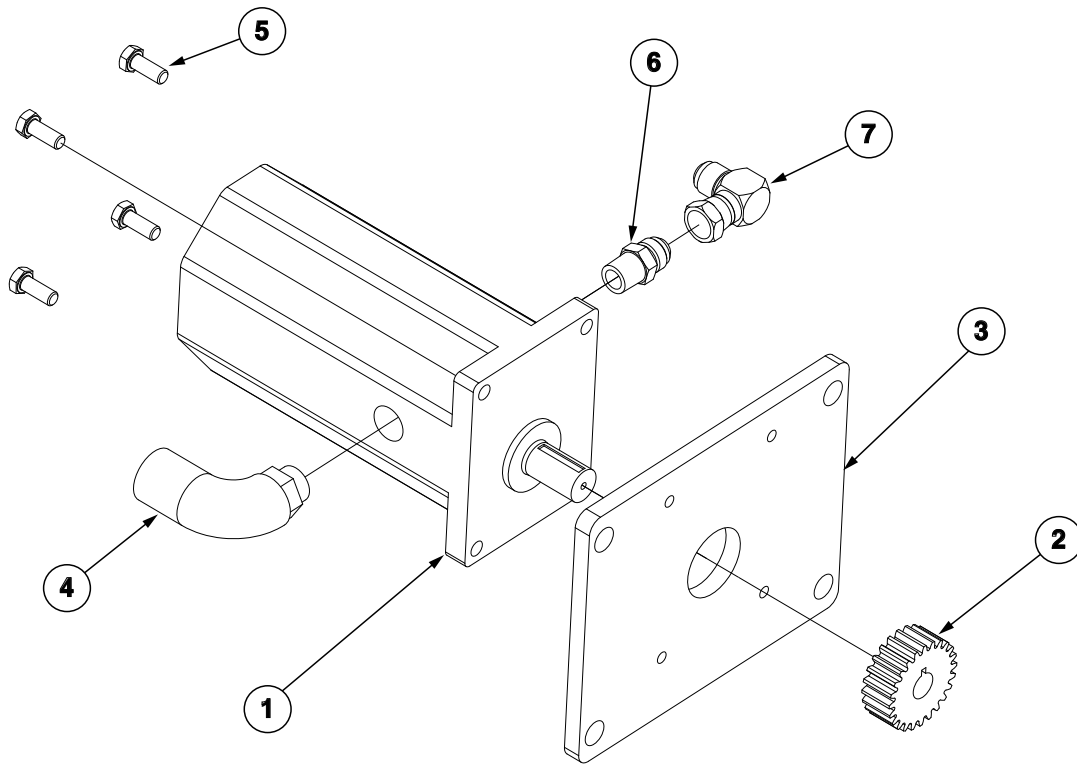
ITEM	PART NO.	QTY.	DESCRIPTION
1	G10331001	2	Hose Clamp #4, 5/8"-1/4" x 5/16"
2	G2503-20	2	Elbow, 45°, 1-5/8"-12 Male JIC x 1-1/4" Male NPT
3	G2701-10	2	Elbow, 90°, 7/8"-14 Male JIC
4	G306-10	2	Lock Nut, 7/8"-14
5	G10333501	2	Steel Hydraulic Line, 5/8"
6	GD35381	2	3/8" O.D. Brass Barbed x 1/4" NPT 90° Elbow
7	G6804-08	1	Adjustable Tee, 3/4"-16 Male JIC To O-Ring
8	G10399801	1	Steel Hydraulic Line, 3/4"
9	G10333601	1	Cooler Mount Bracket
10	G304-C-8	1	Cap Nut, 3/4"-16
11	GD16038	1	Filter Head
12	GD16037	1	Oil Filter, 10 Micron
13	G6801-12	1	Elbow W/O-Ring, 90°, 1 1/16"-12 Male JIC To O-Ring
14	G10227	2	Lock Washer, 1/4"
15	G10023	2	Hex Head Cap Screw, 1/4"-20 x 3/4"
16	G10235	2	Machine Bushing, 7/8", 14 Gauge
17	G6801-12-16	2	Adjustable Elbow, 90°, 1-5/16"-12 O-Ring
18	G11387	8	Flat Washer, 3/8" SAE
19	G10004	4	Hex Head Cap Screw, 3/8"-16 x 1 1/4"
20	G10186901	1	Manifold Block
21	G10108	4	Lock Nut, 3/8"-16
22	G10399901	1	Steel Hydraulic Line, 3/4"
23	GD6279-07	1	Clear Plastic Tubing, 3/8" x 7-1/4"
24	G10087001	1	Temperature Sensor, 100°
25	G2403-12	1	Union, 1 1/16"-12 Male JIC
26	A12937-24	1	Hose Assembly, 3/4" x 24" (12F - 12F90S)
27	G6801-LL-12	1	Adjustable Elbow, 1-1/16"-12 x 1-1/16"-12 O-Ring
28	G10002	4	Hex Head Cap Screw, 3/8"-16 x 3/4"
29	G10229	4	Lock Washer, 3/8"
30	G10339301	1	Oil Cooler and Fan
31	G6835-16-16-16	1	Tee, 1-5/16" O-Ring
32	G6410-16-08	1	Adapter, 1-5/16"-12 O-Ring x 3/4"-16
33	G10080601	1	Tank Level Decal
34	G10019	4	Hex Head Cap Screw, 5/16"-18 x 1"
35	G11386	8	Flat Washer, 5/16" SAE
36	G10109	4	Lock Nut, 5/16"-18, Grade 8
37	G7100-508	1	Bulk Fill Decal
38	G7100-509	1	Vacuum Decal
39	G10333801	1	PTO Reservoir
40	G10098201	1	Temperature Sensor, 200°

\* Hydraulic hose is not stocked by Kinze Repair Parts.



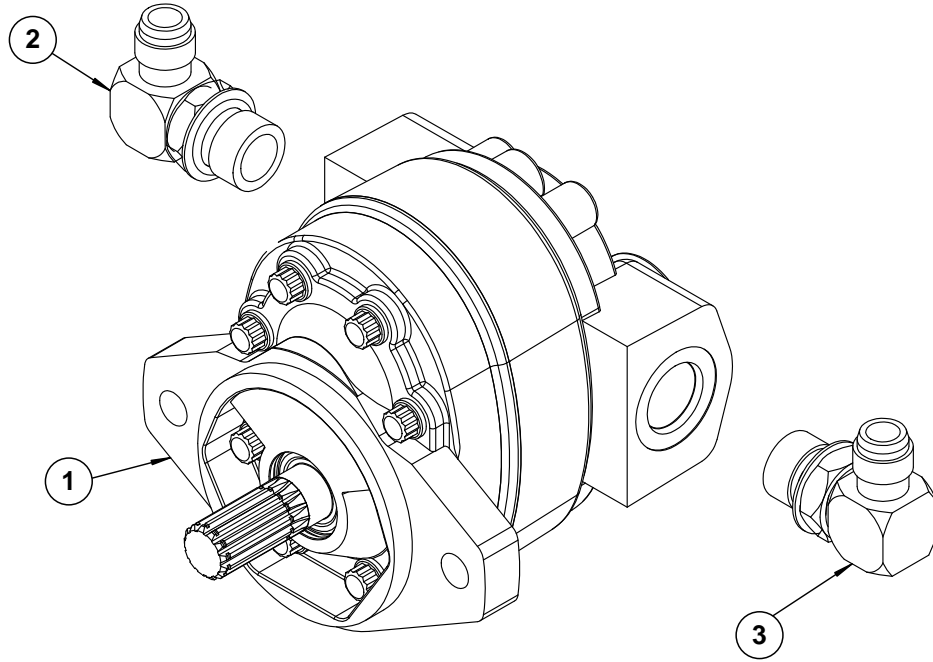
**This page left blank intentionally.**

(A22223)



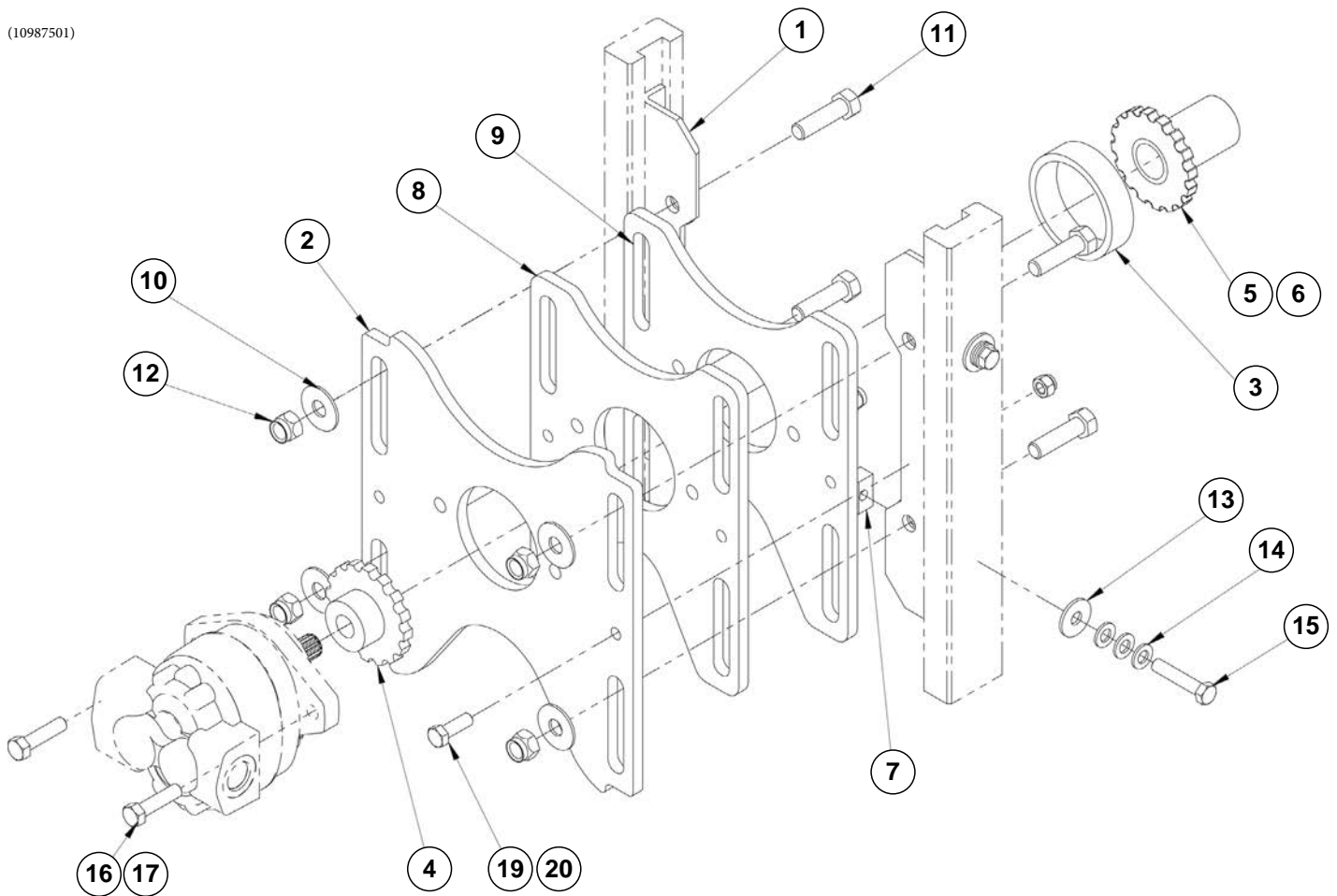
ITEM	PART NO.	QTY.	DESCRIPTION
1	GA21190	1	PTO Gear Pump, 56 CM3/REV
2	GD31435	1	PTO Gear Adapter
3	GD31436	1	PTO Mount Plate
4	GD31438	1	90° Elbow, 1" BSP x 1½"
5	G12000-25	4	Hex Head Cap Screw, M10-1,5 x 25
6	G3800-10-12	1	Adapter, 3/4-14 BSP x 7/8-14 JIC
7	G6500-10	1	Swivel Elbow, 90°, 7/8"-14 Male JIC To Female

(19010-021-01000)

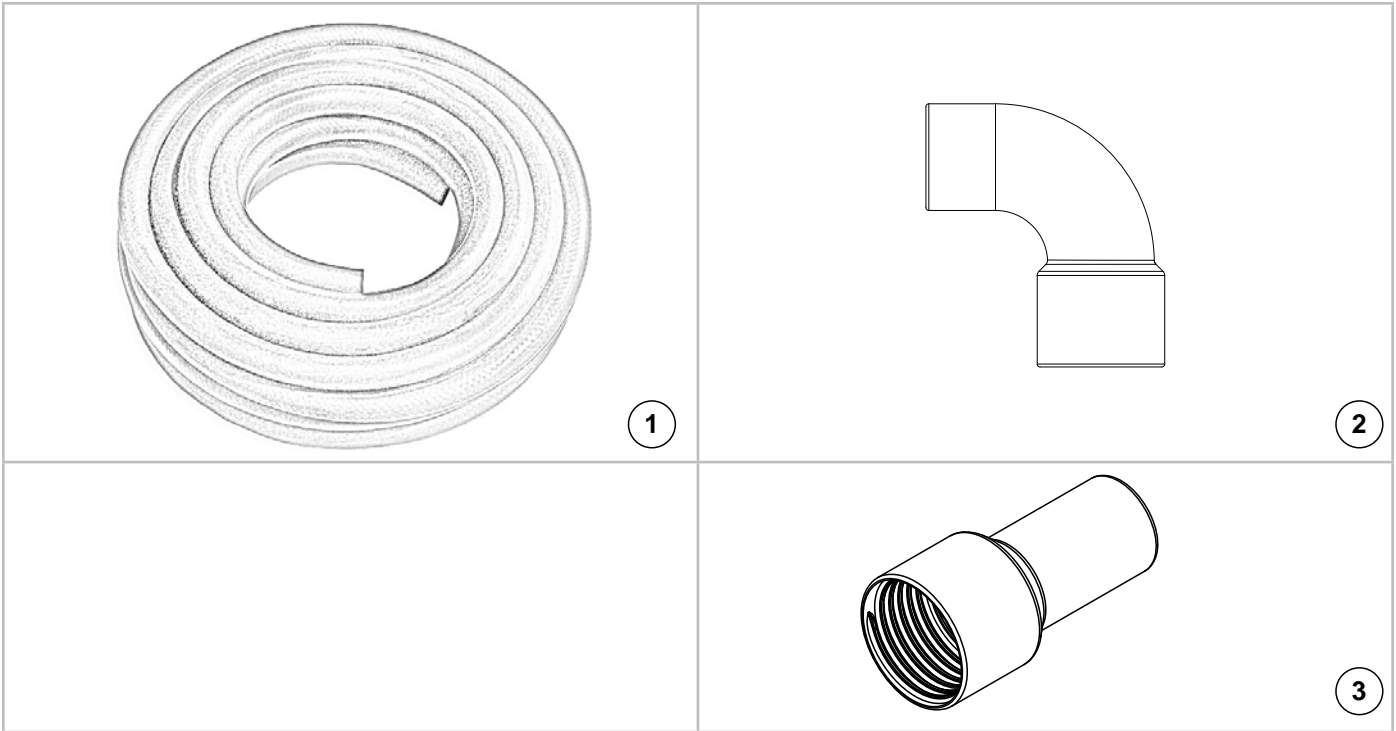


ITEM	PART NO.	QTY.	DESCRIPTION
1	GA14446	1	PTO Pump
2	G6801-10-12	1	Elbow W/O-Ring, 90°, 7/8"-14 Male JIC To 1 1/16"-12 O-Ring
3	G6801-16-20	1	Elbow W/O-Ring, 90°, 1-5/16"-12 Male JIC To 1-5/8"-12 O-Ring

(10987501)

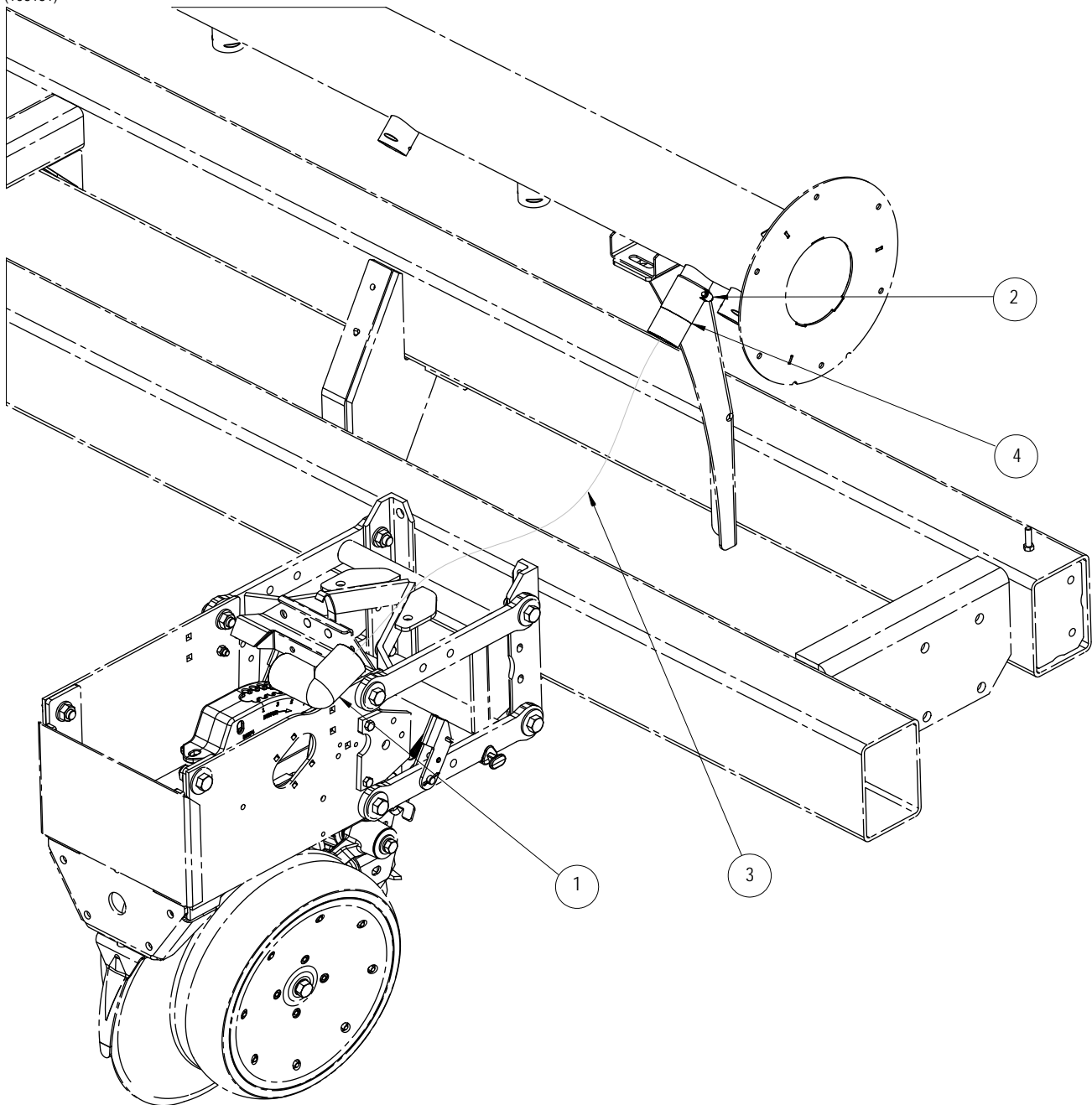


ITEM	PART NO.	QTY.	DESCRIPTION
1	G10985501	2	Rail Mount
2	G10985301	1	Pump Mount Plate, 39 cm
3	G10984801	1	Chain with Link
4	G10984701	1	Sprocket, 16 Tooth
5	G10985001	1	Long Sprocket, 16 Tooth, 1-3/4" x 20 Spline
6	G10984901	1	Long Sprocket, 16 Tooth, 1-3/8" x 21 Spline
7	G10985401	4	Rail Mount Nut
8	G10985101	1	Pump Mount Plate, 31 cm
9	G10985201	1	Pump Moun Plate, 33 cm
10	G10217	8	Washer, 5/8" USS
11	G10006	4	Hex Head Cap Screw, 5/8"-11 x 2 1/4"
12	G10107	4	Lock Nut, 5/8"-11
13	G10984201	4	Flat Washer, DIN 9021
14	G12039	12	Flat Washer, M12
15	G12002-60	4	Hex Head Cap Screw, M12-1,75 x 60
16	G10016	2	Hex Head Cap Screw, 1/2"-13 x 2"
17	G10111	2	Lock Nut, 1/2"-13
18	G10984101	1	LM 47 Long-Life Grease
19	G12015	2	Hex Lock Nut, M12-1,75
20	G12002-35	2	Hex Head Cap Screw, M12-1,75 x 35

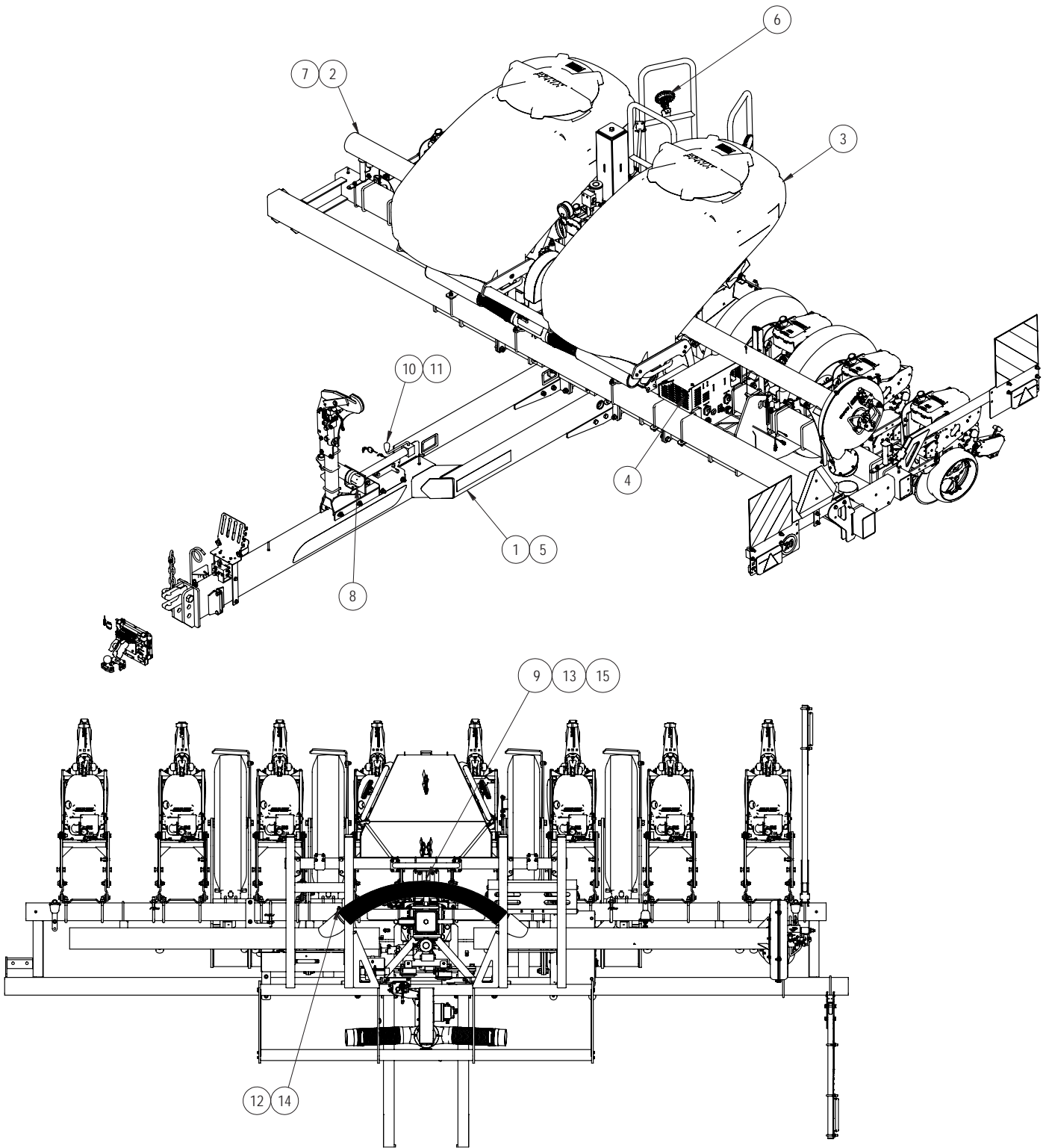


ITEM	PART NO.	QTY.	DESCRIPTION
1	GD15792-13	-	Vacuum Hose, 2" x 50'
2	GD14626	-	90° Elbow, 2" Hose
3	GB0827	-	Reducer, 2" to 1-3/4"
4	G10676	-	Hose Clamp, No. 36, Stainless Steel

(106161)



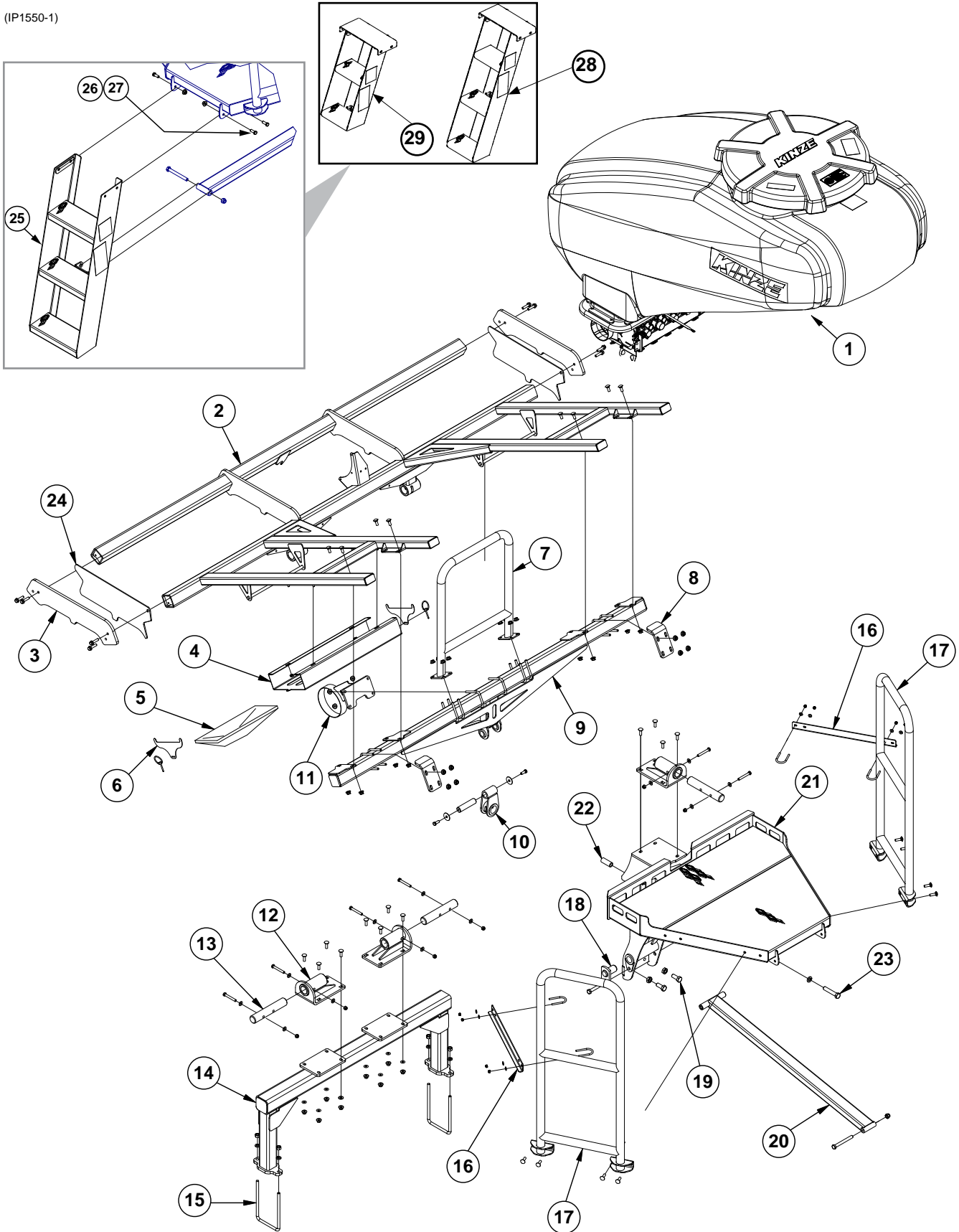
ITEM	PART NO.	QTY.	DESCRIPTION
1	GB1313 GB1249	- -	Elbow, 90°, 1.5" Vacuum Hose End (True Speed)
2	G10676	-	Hose Clamp, No. 36, Stainless Steel
3	GD36495-40	-	Vacuum Hose, 1-1/2" I.D. x 40"
4	GD31424	-	Screw Cuff, 2"



ITEM	PART NO.	QTY.	DESCRIPTION
1	G10615901	-	Y-Hitch Base Frame
	G10615902	-	T-Hitch Base Frame
2	GA27169	1	Blue Drive Blue Vantage Vacuum System Assembly
3	GA27170	1	Blue Drive Blue Vantage Bulk Fill Assembly
4	G10614901	1	True Speed Control Package
5	GA27176	1	Hydraulic Hoses Assembly
6	G10047601	1	Work Lights
7	G10616002	1	Vacuum Hose Bundle
8	GA25890	1	Operator's Manual Canister
9	GA24381	1	Bracket Weld
10	GA13986	1	Jack Assembly Complete
11	GA4995	1	Detent Pin Assembly
12	GD15867-13	1	Reinforced Hose, 5" x 64"
13	GD19212	2	U-Bolt, 2 1/2" x 3/8"-16
14	G11188	2	T-Bolt Clamp, 5 1/4"
15	G11091	4	Serrated Flange Nut, 3/8"-16



(IP1550-1)



## Bulk Fill Fan Mounts and Catwalk

M0311-02

Model 3505

ITEM	PART NO.	QTY.	DESCRIPTION
1	---	1	<a href="#">See "Bulk Fill Tank Assembly" on page P118</a>
2	GA24365	1	Bulk Tank Support
	G10305	8	Carriage Bolt, 3/8"-16 x 1"
	G11091	8	Serrated Flange Nut, 3/8"-16
3	GD33953	2	Side Mount Plate
	G11408	8	Hex Serrated Flange Cap Screw, 3/8"-16 x 1 1/2"
4	GD34701	1	Clean Out Chute Tray
	G10620	4	Serrated Flange Nut, 5/16"-18
5	GA14822	1	Center Cleanout Chute
6	GD34702	2	Chute Tray End Plate
	GD5625	2	Lynch Pin, 3/16"
7	GA24377	1	Handrail
	GD19212	4	U-Bolt, 2 1/2" x 3/8"-16
	G11091	8	Serrated Flange Nut, 3/8"-16
8	GD34071	2	Mount Plate
	GD19212	4	U-Bolt, 2 1/2" x 3/8"-16
	G11091	8	Serrated Flange Nut, 3/8"-16
9	GA24366	1	Tank Support
10	GA17034	1	Rear Tank Mount
	GD33958	1	Threaded Rod
	G10001	2	Hex Head Cap Screw, 3/8"-16 x 1"
	G10201	2	Special Washer, 3/8" x 1 1/2" O.D.
11	GA24381	1	Bracket
	GD19212	2	U-Bolt, 2 1/2" x 3/8"-16
	G11091	4	Serrated Flange Nut, 3/8"-16
12	GA14041	3	Bulk Fill Tank Mount
	G10003	12	Hex Head Cap Screw, 3/8"-16 x 1 1/2"
	G11387	12	Hardened Washer, 3/8" SAE
	G11091	12	Serrated Flange Nut, 3/8"-16
13	GD33595	3	Pin, 1 1/2" x 8.313"
	G10325	6	Hex Head Cap Screw, 3/8"-16 x 2 3/4"
	G11387	12	Hardened Washer, 3/8" SAE
	G10108	6	Lock Nut, 3/8"-16
	G10062	6	Hex Head Cap Screw, 3/8"-16 x 3"
14	GA25733	1	Front Bulk Fill Mount Support
15	GD8306	2	U-Bolt, 7" x 5" x 1/2"-13
	G10228	4	Lock Washer, 1/2"
	G10102	4	Hex Nut, 1/2"-13
16	GD35037	2	Support Plate
	GD26274	4	U-Bolt, 1 1/2" x 1/4"-20
	G11385	8	Flat Washer, 1/4" SAE
	G10110	8	Lock Nut, 1/4"-20, Grade B
17	GA24374	2	Handrail
	G10001	8	Hex Head Cap Screw, 3/8"-16 x 1"
	G11091	8	Serrated Flange Nut, 3/8"-16
18	GA5121	2	Pin, 2 1/8"
	G10053	2	Hex Head Cap Screw, 1/2"-13 x 2 1/2"
19	G10007	2	Hex Head Cap Screw, 5/8"-11 x 1 1/2"
	G10503	2	Hex Jam Nut, 5/8"-11, Grade 2
20	GA24376	1	Tube W/Sleeves
	G10045	1	Hex Head Cap Screw, 1/2"-13 x 4 1/2"
	G10111	1	Lock Nut, 1/2"-13
21	GA25067	1	Catwalk
22	GD3180-28	1	Sleeve, 5/8" I.D. x 7/8" O.D. x 2 1/4" Long
23	G10862	1	Hex Head Cap Screw, 5/8"-11 x 3 1/4"
	G10230	1	Lock Washer, 5/8"
24	GD35126	2	Shim, 10 Gauge (.1345")
25	GA24758	1	Ladder Without Granular Chemicals and Trailer Hitch

Continued on the next page.

## Bulk Fill Fan Mounts and Catwalk

Model 3505

M0311-02

---

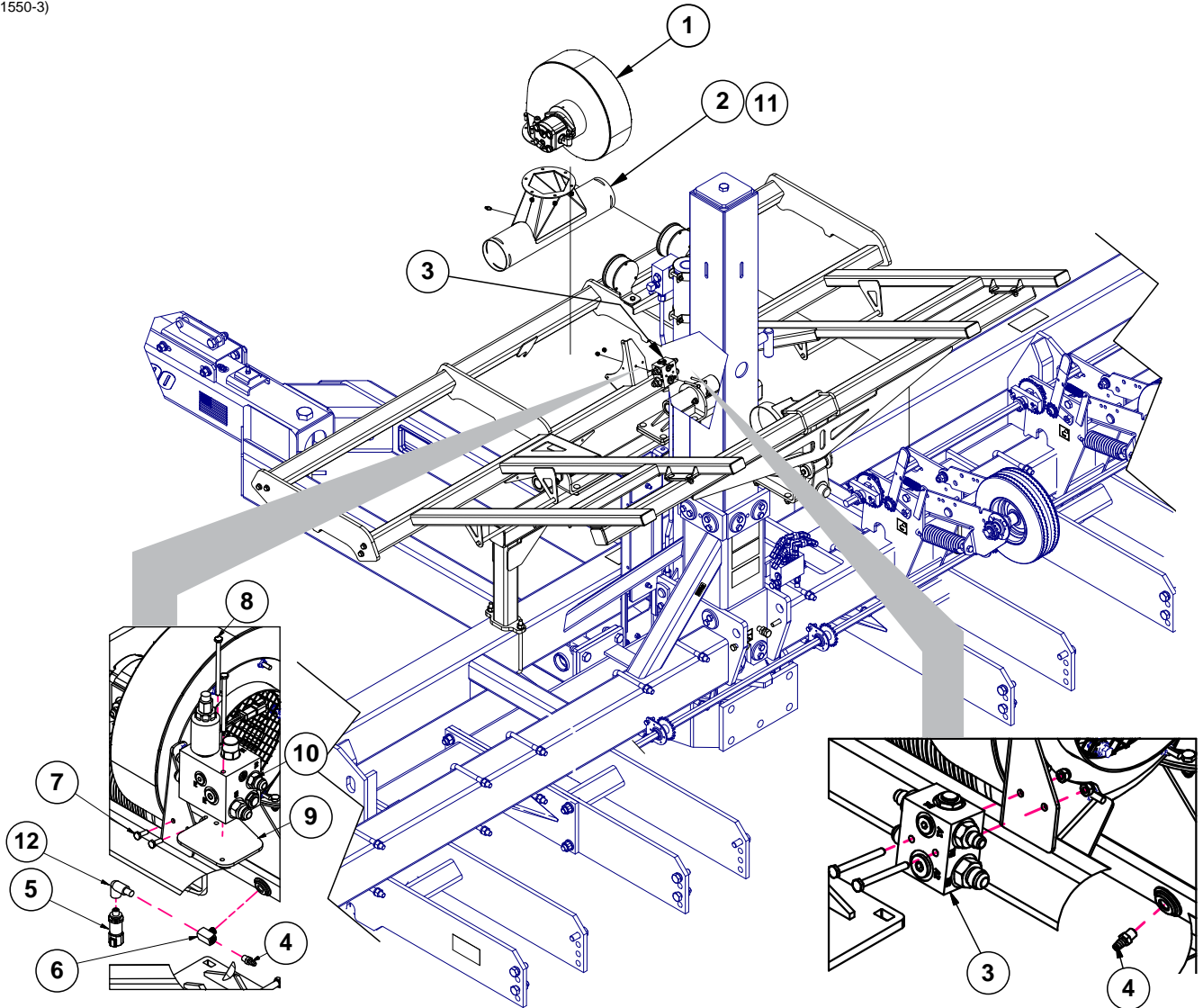
26	G10001	4	Hex Head Cap Screw, 3/8"-16 x 1"
27	G11091	4	Serrated Flange Nut, 3/8"-16
28	GA26267	-	Ladder With Granullar Chemicals and Without Trailer Hitch
29	GA26272	-	Ladder with Trailer Hitch

# Bulk Fill Fan Manifold

M0311-02

Model 3505

(IP1550-3)



W/ Blue Drive

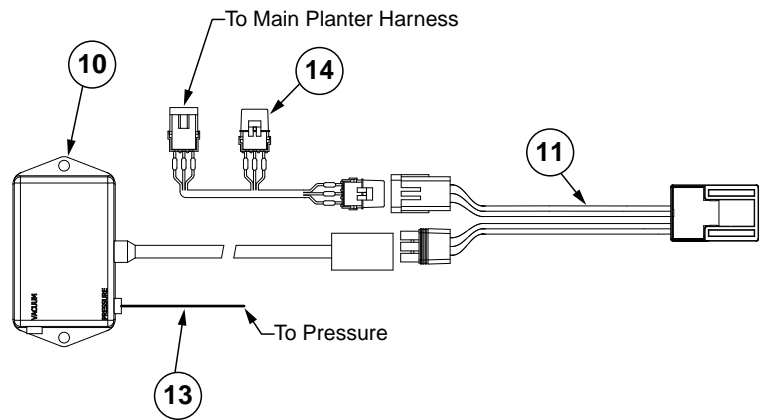
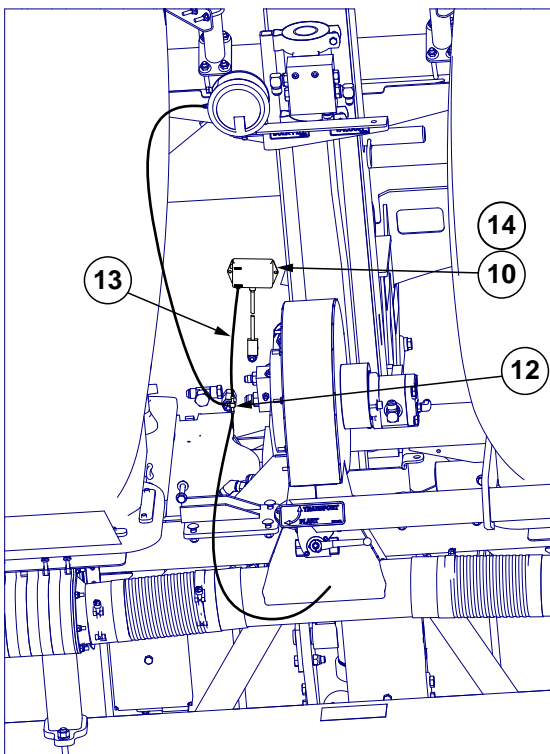
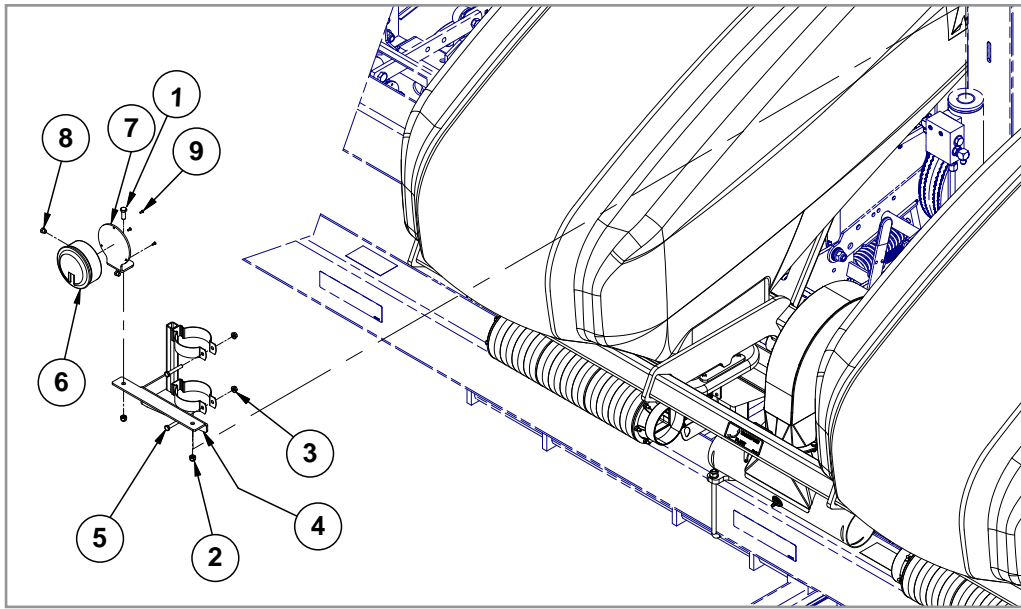
W/ Ground Contact Drive

ITEM	PART NO.	QTY.	DESCRIPTION
1	---	-	<a href="#">See "Bulk Fill Fan System" on page P112</a>
	G10043	6	Hex Head Cap Screw, 5/16"-18 x 3/4"
2	GA24414	1	Bulk Fill Manifold
	G10109	6	Lock Nut, 5/16"-18, Grade 8
3	GA24507	1	<a href="#">See "Bulk Fill/Vacuum Anti-Cavitation Check Valve Block (Located on Vacuum Fan)" on page P172</a>
	G10746	2	Hex Head Cap Screw, 1/4"-20 x 2 3/4"
	G11320	2	Lock Nut, 1/4"-20, Grade B
4	GR1777	1	Hose Barb, 1/8" Male NPT To 3/16" Barb
5	GA14805	1	Air Pressure Sensor
6	GD28372	1	1/8" NPT Tee, Brass (Female/Male/Female)
7	G10023	2	Hex Head Cap Screw, 1/4"-20 x 3/4"
	G11385	2	Flat Washer, 1/4" SAE
	G11320	2	Lock Nut, 1/4"-20, Grade B
8	G10943	2	Hex Head Cap Screw, 1/4"-20 x 4"
	G11320	2	Lock Nut, 1/4"-20, Grade B
9	GD37066	1	Bulk Fill Fan Block Mount
10	---	-	<a href="#">See "Hydraulic Valve Block on Vacuum Motor" on page P80</a>
11	G10763901	1	6 Bolt Flange Seal
12	G10023601	1	Elbow, 90°, 1/8" NPT x 1/8" NPT

02/24

**KINZE**

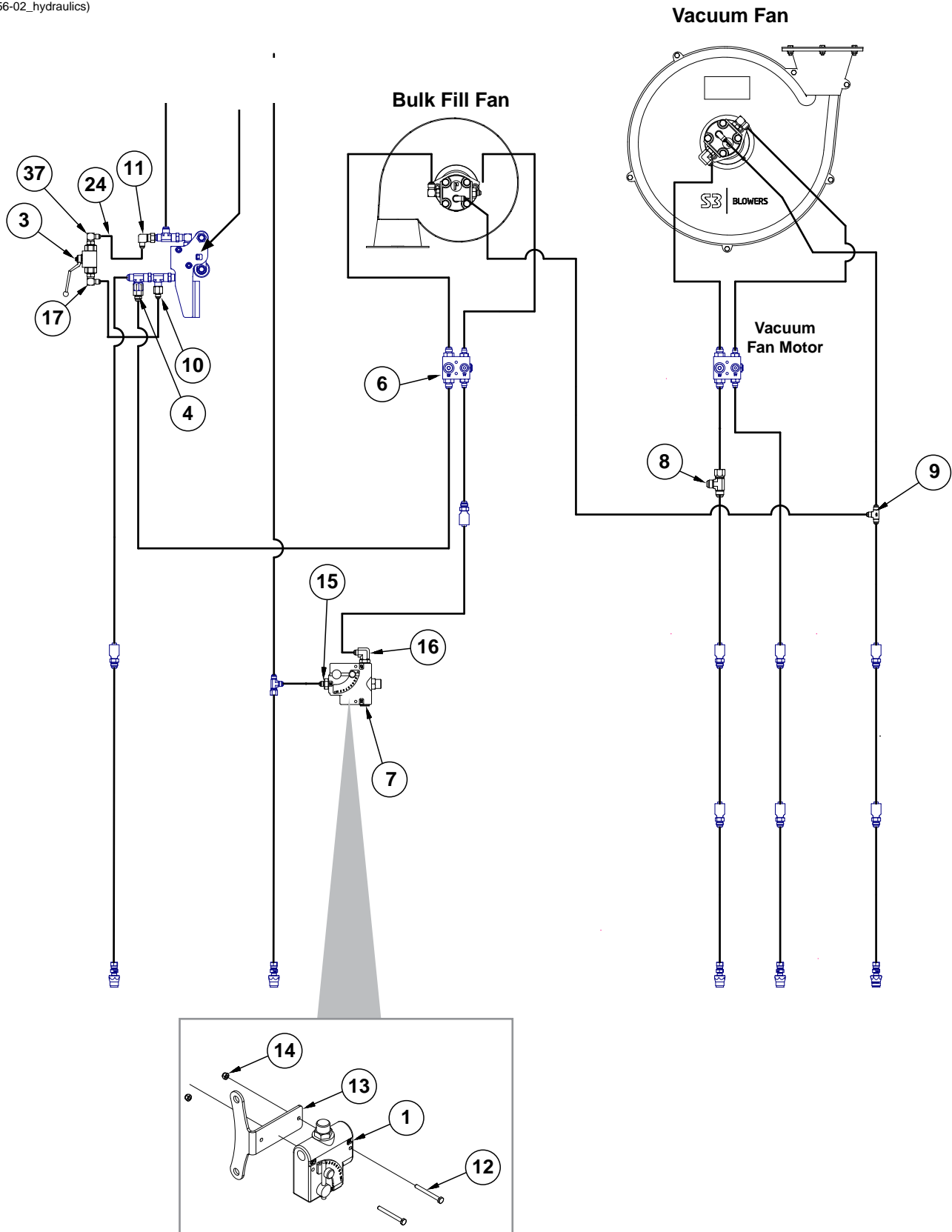
P107



ITEM	PART NO.	QTY.	DESCRIPTION
1	G10001	2	Hex Head Cap Screw, 3/8"-16 x 1"
2	G10108	2	Lock Nut, 3/8"-16
3	G10620	2	Serrated Flange Nut, 5/16"-18
4	GA14600	1	Pressure Gauge Mount
5	G10041	2	Hex Head Cap Screw, 5/16"-18 x 2"
6	GA21406	2	Pressure Gauge W/Hose Barb
	GR1777	2	Hose Barb, 1/8" Male NPT To 3/16" Barb (Included W/GA21406)
	GD15849-02	-	Clear Plastic Tubing, 5/16" O.D. x 3/16" I.D. x 120"
7	GD15804	2	Mount
8	GA10799	2	Breather, 1/8" Male NPT
9	G11215	6	Hex Flat Head Cap Screw, No. 6-32 x 3/8", Grade 8
10	GA14847	1	Low Pressure Sensor (0-40 IN H2O)
11	GA12812	1	Hall Effect Adapter
12	GD21278	1	Reducing Tee, 3/16" x 1/8" x 3/16"
13	*D17151-20	1	Urethane Tubing, 1/4" x 10'
14	GA13551	1	Tee Junction Harness

\*Hose not stocked by Kinze repair parts, but is available in bulk (GD17151-21).

(A24456-02\_hydraulics)

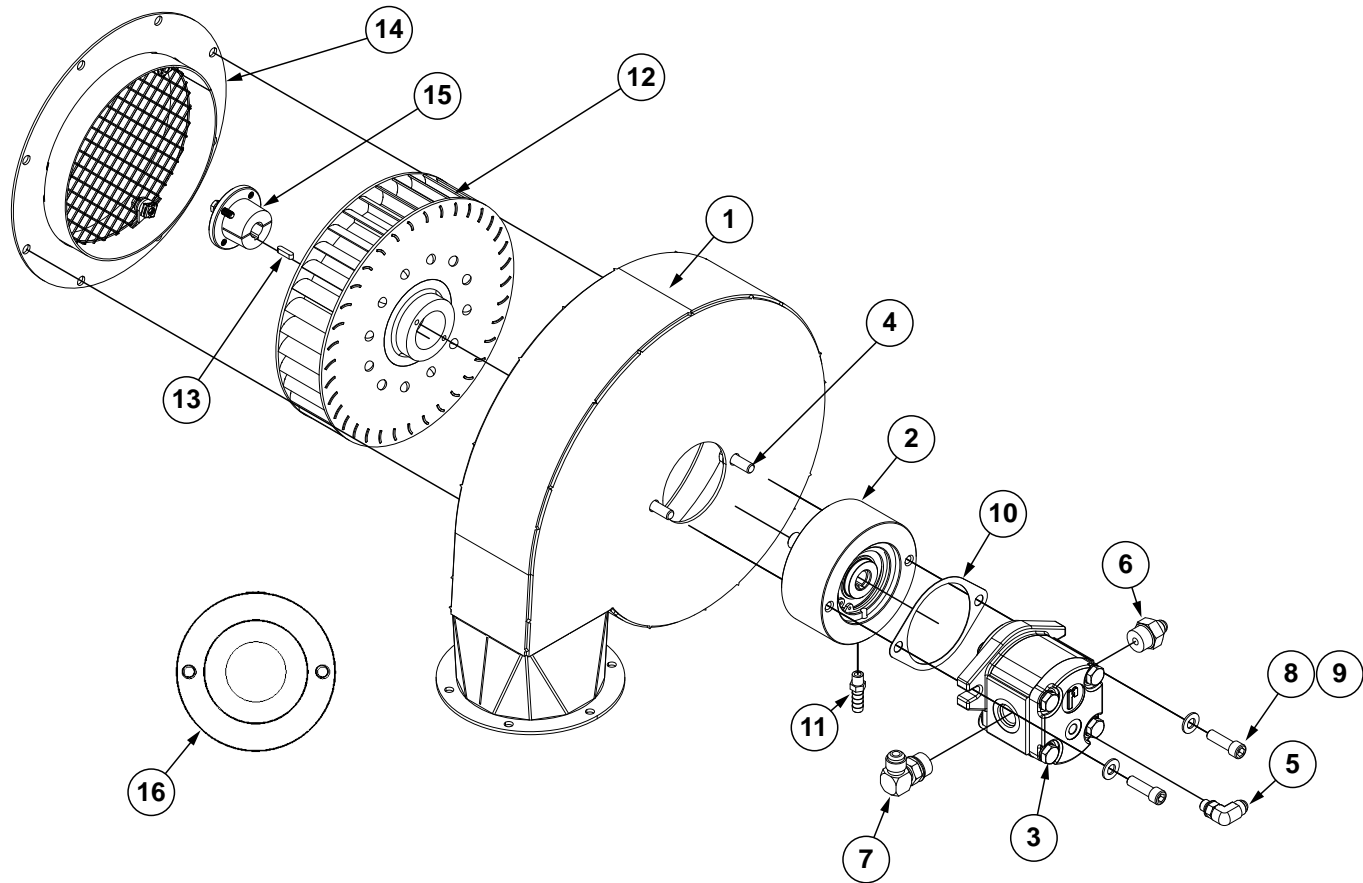


ITEM	PART NO.	QTY.	DESCRIPTION
1	GA10918	1	Flow Control Valve
	G10253	2	Hex Socket Head Cap Screw, No. 10-32 x 1/2"
3	GA22901	1	Shutoff Valve
4	GA19432	1	Inline Check Valve
6	---	-	<a href="#">See "Bulk Fill/Vacuum Anti-Cavitation Check Valve Block (Located on Vacuum Fan)" on page P172</a>
7	G6408-H10-0	1	Hex Socket Head Plug W/O-Ring, 7/8"-14 O-Ring
8	G6602-10	1	Swivel Tee, 7/8"-14 JIC
9	G2603-06	1	Tee, 9/16"-18 Male JIC
10	G2406-08-06	1	Reducer, 3/4"-16 Female JIC To 9/16"-18 Male JIC
11	G6500-06-08	1	90° Swivel Elbow, 9/16"-18 x 3/4"-16
12	G10403	2	Hex Head Cap Screw, 1/4"-20 x 2 1/2"
13	GD35929	1	Mount Plate
14	G10110	2	Lock Nut, 1/4"-20, Grade B
15	G6400-06-10	1	Adapter, 9/16"-18 JIC, 7/8"-14 O-Ring
16	G6801-06-10	1	Elbow, 9/16"-18 x 7/8"-14 W/O-Ring
17	G6801-06-08	2	Elbow W/O-Ring, 90°, 9/16"-18 Male JIC To 3/4"-16 O-Ring
	GR1037	-	O-Ring

[See "Vacuum Conventional Planter Hydraulic System" on page P182](#) for part numbers of components that are not listed



(A24428)

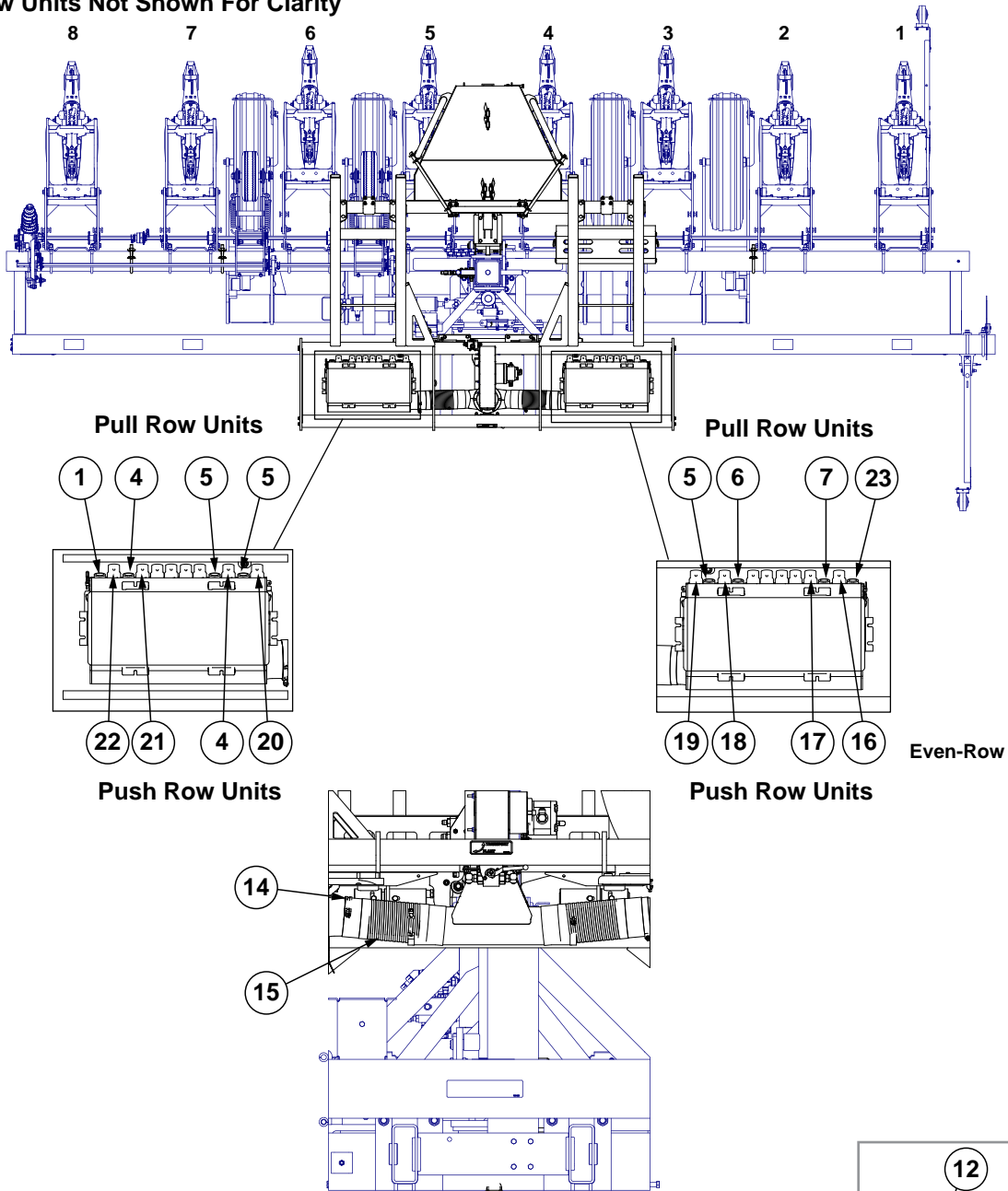


ITEM	PART NO.	QTY.	DESCRIPTION
1	GA25034	1	Fan Housing
2	GA25388	1	Load Adapter
3	GA24426	1	Motor
4	G11124	2	Hex Serrated Flange Cap Screw, 3/8"-16 x 1"
5	G6801-06-04	1	Elbow, 90°, 1/16"-18 x 7/16"-20 W/O-Ring
6	G6400-06-10	1	Elbow, 90°, 1/16"-18 x 7/16"-14 W/O-Ring
7	G6801-08-10	1	Elbow W/O-Ring, 90°, 3/4"-16 Male JIC To 7/8"-14 O-Ring
	GR1466	-	O-Ring
8	G11848	2	Hex Socket Head Cap Screw, 3/8"-16 x 1-1/4"
9	G11387	2	Flat Washer, 3/8" SAE
10	GD30882	1	2-Bolt Mount Gasket
11	GD35294	1	Hose Barb, 1/8"-27 NPTF x 3/8"
12	GA25035	1	Fan Rotor
13	GD21300	1	Key
14	GA25036	1	Fan Inlet
	GD35011	1	Inlet Screen
15	GD34103	1	Bushing
16	GD27215	1	Silicone Sealer
A	GA24429	1	Bulk Fill Fan (Includes Items 1, 12, and 14-15)

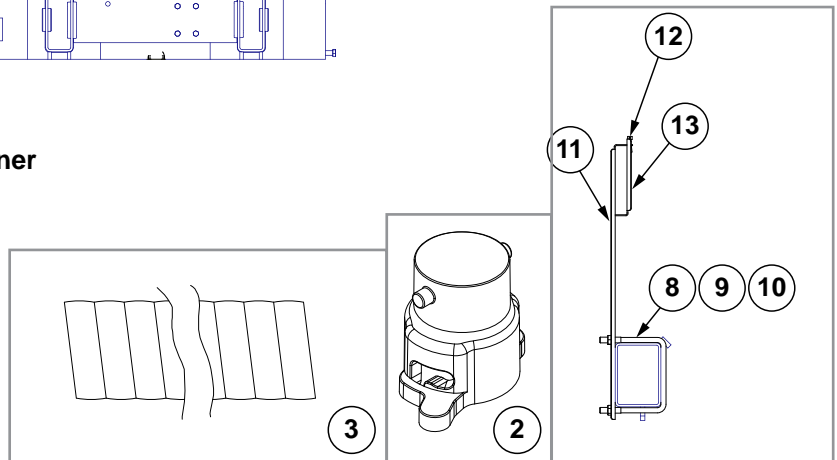
**This page left blank intentionally.**

(10137501/A26050)

**\*Split Row Units Not Shown For Clarity**



**NOTE: Center 4 rows on R.H. and L.H entrainer MUST be plugged or seed will not flow.**



ITEM	PART NO.	QTY.	DESCRIPTION
1	*A13870-133	1	Seed Hose Assembly, 1¼" x 133"
2	GB0431	-	Bulk Fill Small Cap
	GD19508	-	Small O-Ring
3	GD9129-01	-	Hose Protector, 48"
4	*A13870-101	1	Seed Hose Assembly, 1¼" x 101"
5	*A13870-72	3	Seed Hose Assembly, 1¼" x 72"
6	*A13870-74	1	Seed Hose Assembly, 1¼" x 74"
7	*A13870-103	1	Seed Hose Assembly, 1¼" x 103"
8	GD1113	3	U-Bolt, 5" x 7" x 5⁄8"-11
9	G10104	6	Hex Nut, 5⁄8"-11
10	G10230	6	Lock Washer, 5⁄8"
11	GD34372	3	Hose Holder Mount, 30"
12	GD2558	3	Lynch Pin, ¼"
13	GD20595	3	Hose Holder Short Mount
14	G11360	4	T-Bolt Hose Clamp, 4½"
15	GD19659-08	2	Black Hose, 4½" I.D. x 12"
16	*A13870-137	1	Seed Hose Assembly, 1¼" x 137"
17	*A13870-149	1	Seed Hose Assembly, 1¼" x 149"
18	*A13870-97	1	Seed Hose Assembly, 1¼" x 97"
19	*A13870-82	1	Seed Hose Assembly, 1¼" x 82"
20	*A13870-93	1	Seed Hose Assembly, 1¼" x 93"
21	*A13870-118	1	Seed Hose Assembly, 1¼" x 118"
22	*A13870-123	1	Seed Hose Assembly, 1¼" x 123"
23	*A13870-116	1	Seed Hose Assembly, 1¼" x 116"

\*Hose not stocked by Kinze repair parts, but is available in bulk (GR1947).

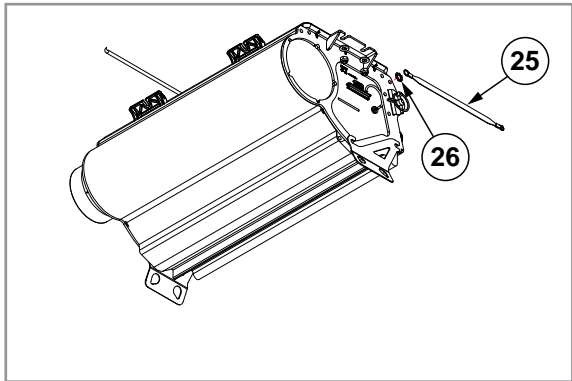
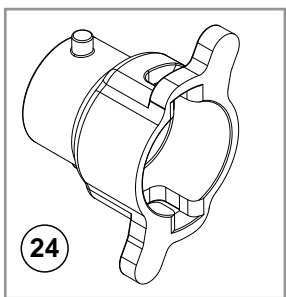
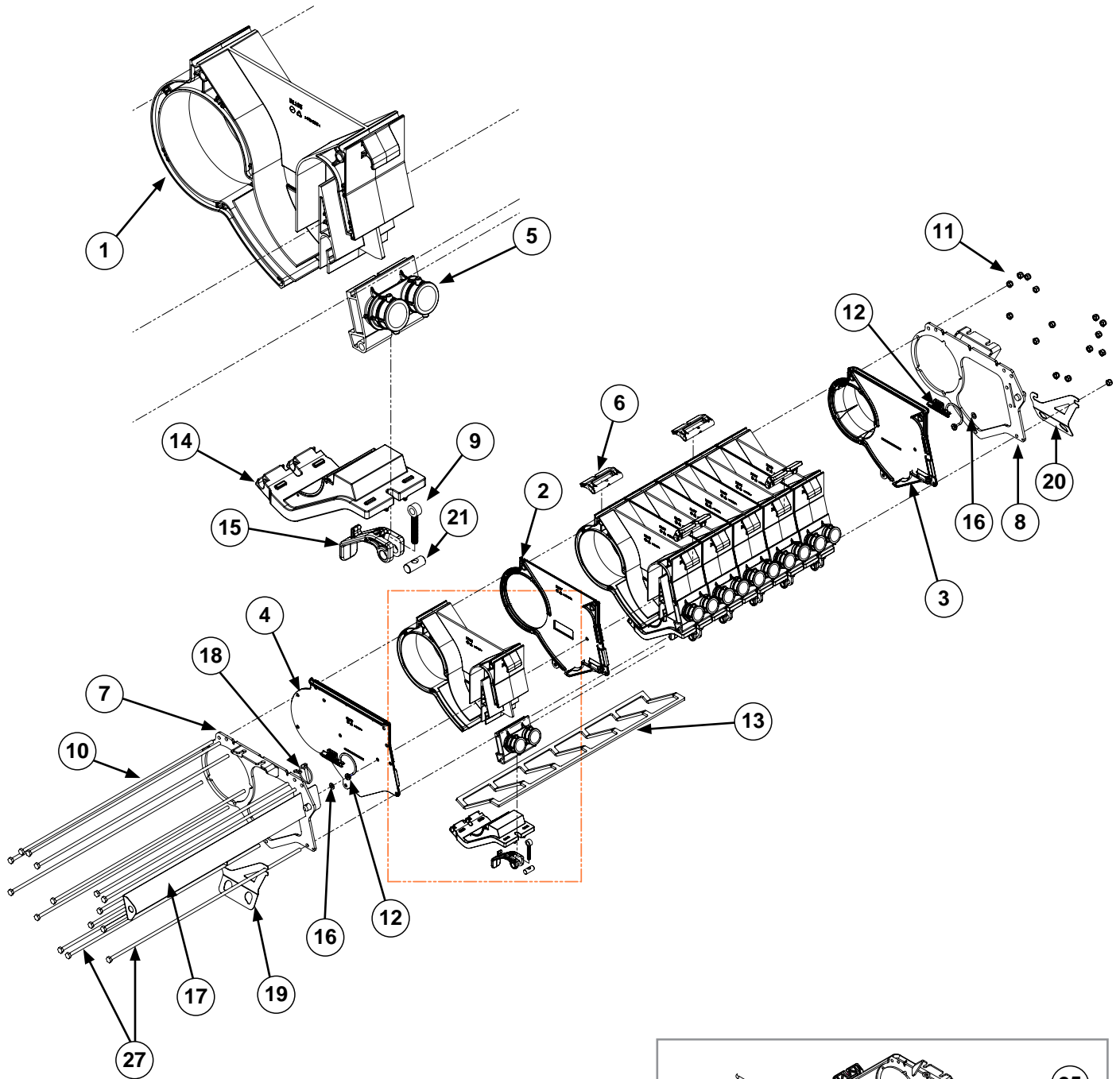
# Bulk Fill Entrainer Assembly, 12 Section

Model 3505

M0311-02

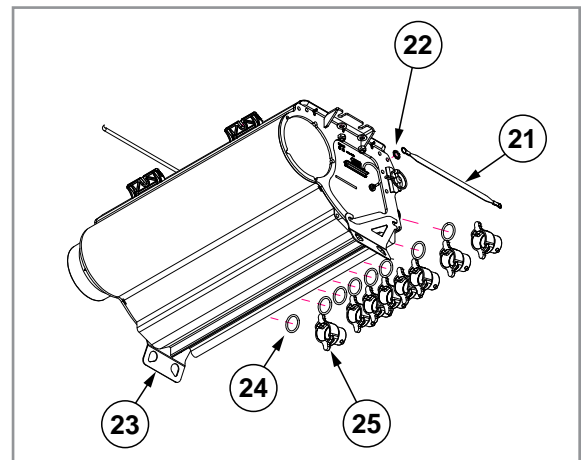
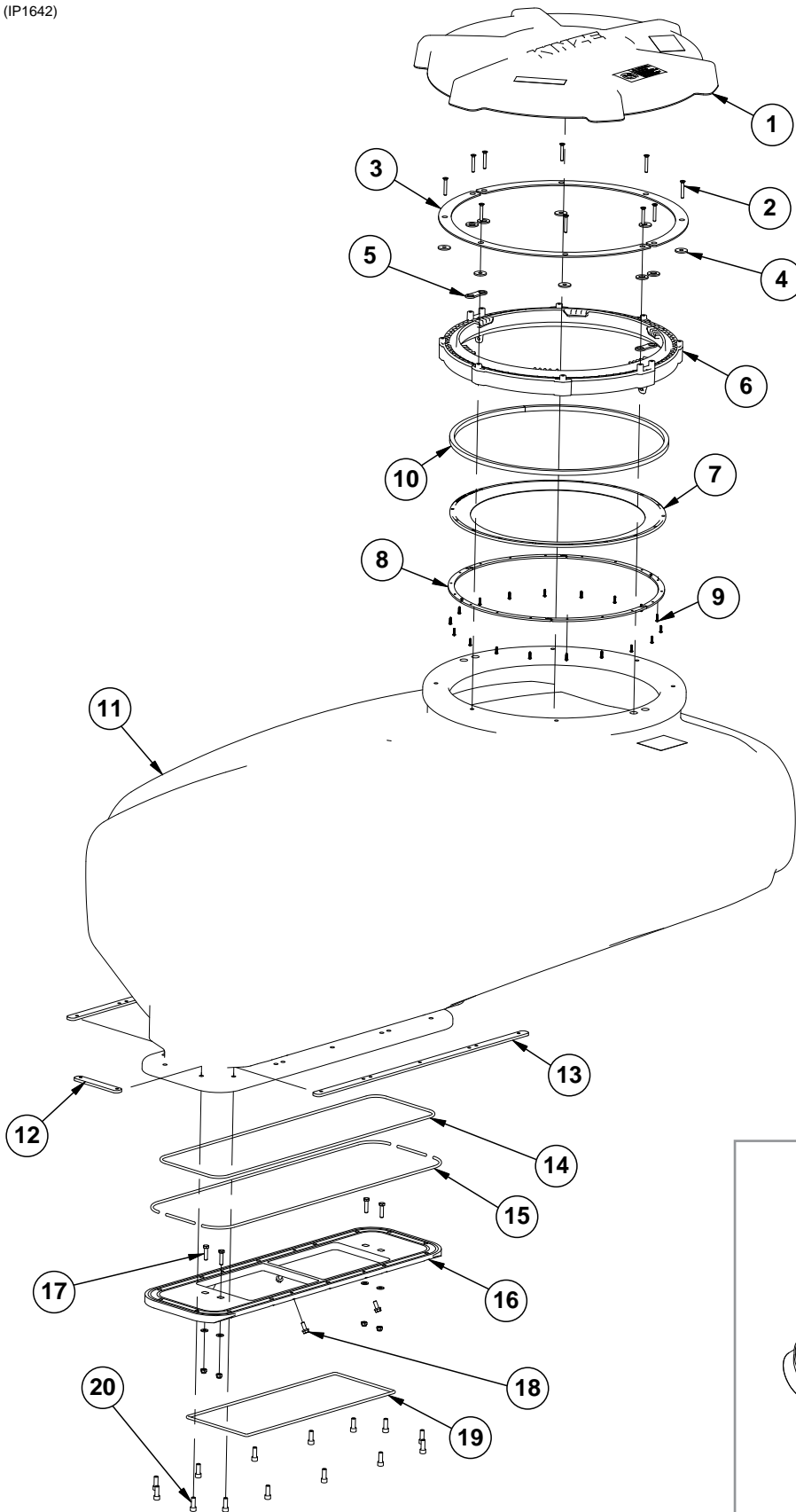
(IP1124)

L.H. Shown



ITEM	PART NO.	QTY.	DESCRIPTION
1	GB1195	6	Entrainer Section
2	GB1197	5	Entrainer Interior Wall
3	GB1201	1	Entrainer End Cap, L.H.
4	GB1199	1	Entrainer End Cap, L.H.
5	GB1196	6	Dual Entrainer Outlet, 1"
6	GB1204	4	Entrainer Mount Adapter
7	GA27156	1	Entrainer Retainment Assembly, L.H.
8	GA27157	1	Entrainer Retainment Assembly, R.H.
9	GD19864	6	Eye Bolt, 1/4"-20 x 1.83 OAL
10	GD37049	13	Hex Head Cap Screw, 1/4"-20 x 21.25", Grade 2
11	G10110	15	Hex Locknut, 1/4"-20
12	GB0444	2	Bulk Fill Shutoff Door Plug
13	GD36870	1	Cleanout Door Gasket, 12 Row
14	GA26104	6	Entrainer Door Assembly
15	GB1203	6	Entrainer Door Latch
16	G11328	2	Washer, 1/4"
17	G10019303	1	Entrainer Slide, 21.673
18	G11339	1	Lynch Pin, 3/16" x 1-1/4", W/Chain
19	G10017201	1	Bulk Fill Chute Hanger
20	G1007301	1	Bulk Fill Chute Hanger
21	GD21080	6	Cam Nut, 1/4"-20
22	---	-	---
23	---	-	---
24	GB0430	-	Bulk Fill Large Cap
25	GD27607	1	Ground Strap
26	G10529	1	External Tooth Lock Washer, 3/8"
27	GD19852	2	Hex Head Cap Screw, 1/4"-20 x 22", Grade 5
28	GB0431	12	Bulk Fill Small Entrainer Cap (Shown)
	GD19508	12	Small Coupler O-Ring
A	GA27158	-	Bulk Fill Entrainer Assembly, R.H. (Items 1-21, 27)
B	GA27159	-	Bulk Fill Entrainer Assembly, L.H. (Shown) (Items 1-21, 27)

(IP1642)

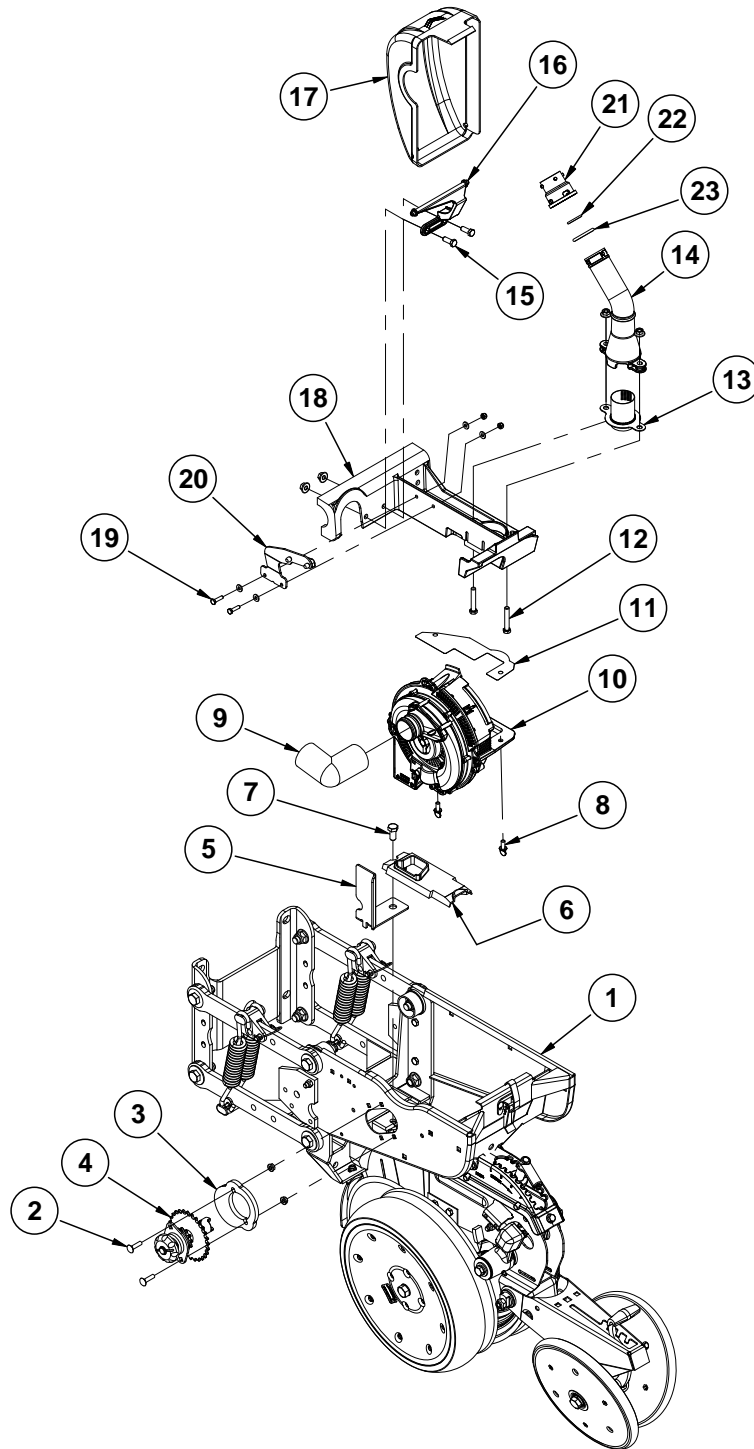


ITEM	PART NO.	QTY.	DESCRIPTION
1	GB0673	1	Bulk Fill Tank Lid
	GD24879-01	1	Rope Tether, 36"
	G11386	1	Flat Washer, 5/16"SAE
2	G10132501	10	Hex Flange Head Cap Screw, 1/4"-20 x 1 3/4"
3	GD35844	2	Top Ring Mount Plate
4	GD35857	6	Foam Seal Washer
5	GB0905	2	Lid Seal Ring Spacer
	GD24754	4	Foam Seal
6	GB1206	1	Bulk Fill Tank Lid Latch
7	GB0675	1	Bulk Fill Tank Lid Seal
8	GD24386	6	Bulk Fill Lid Seal Ring Segment
9	G11522	18	Phillip Pan Head Tapping Screw, #8-18 x 5/8"
10	*GD35274-01	1	Ribbon Sealer, 66 1/2" (Length Used For Tank Lid)
11	G10058001	1	Bulk Seed Tank, 25 Bushel
12	GD20923	2	Entrainer Mount Tap Block, Short
13	G10057501	2	Entrainer Mount Tap Block
14	GD19690-03	1	Ribbon Sealer, 6.5'
15	GD19690-04	1	Ribbon Sealer, 7'
16	GD37001	1	Entrainer Adapter, 12 Row
17	G10171	4	Hex Head Cap Screw, 5/16"-18 x 1 1/4"
	G11386	4	Flat Washer, 5/16" SAE
	G11182	4	Lock Nut W/Nylon Insert, 5/16"-18
18	G11539	4	Hex Socket Flange Cap Screw, 5/16"-18 x 3/4"
19	G10302501	1	Foam Cord, 5/16" x 58.191"
20	G11261	14	Hex Socket Head Cap Screw, 3/8"-16 x 1"
21	GD27607	1	Ground Strap
22	G10529	1	External Tooth Lock Washer, 3/8"
23	---	---	<a href="#">See "Bulk Fill Entrainer Assembly, 12 Section" on page P116</a>
24	GD19508	8	O-Ring, Small Coupler
25	GB0431	8	Bulk Fill Small Cap
A	G10129501	-	Bulk Fill Lid Seal Assembly (Items 6-9)

\*Available in bulk only (21.75').

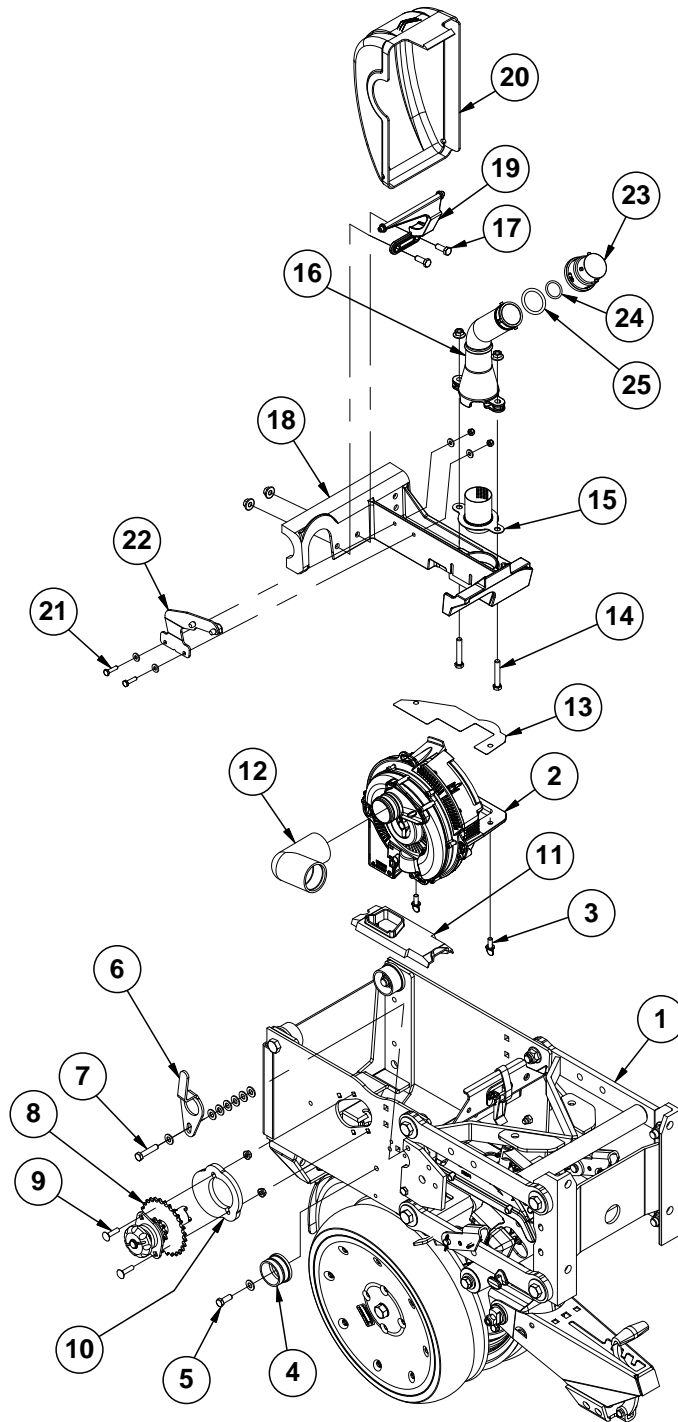


(IP1636)



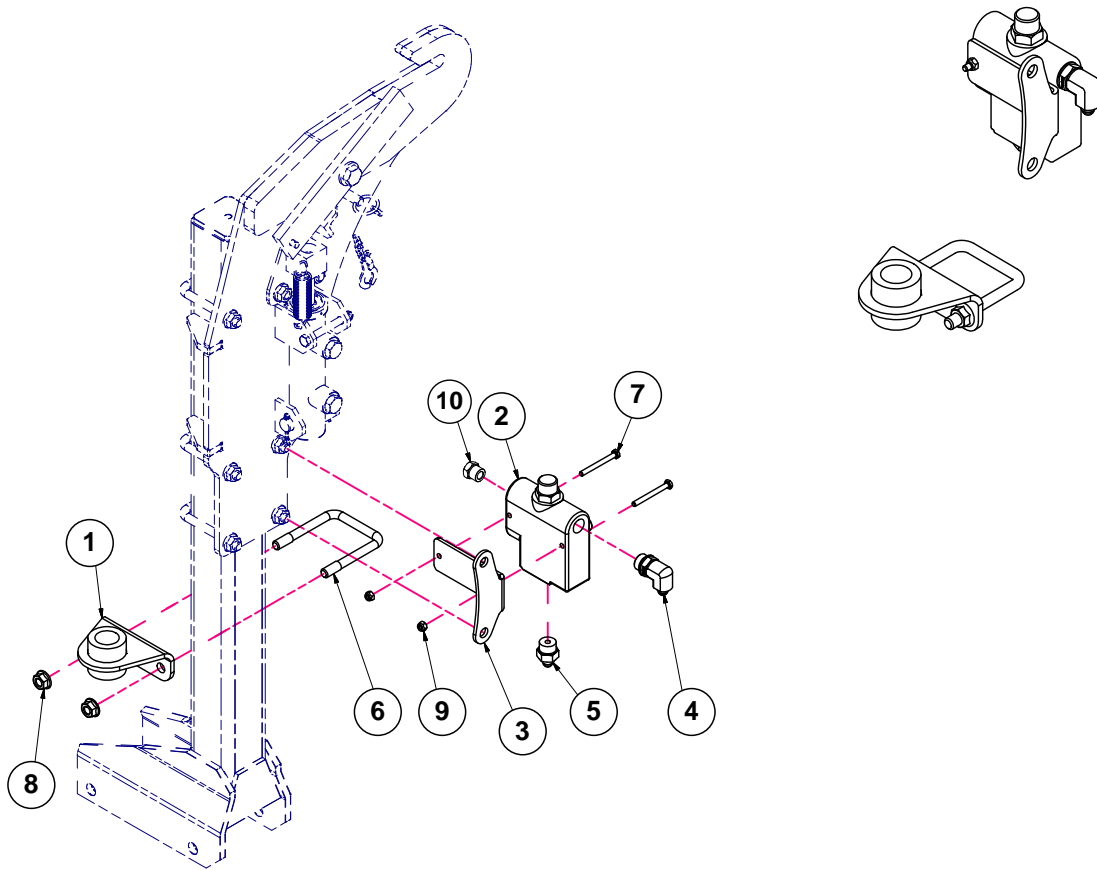
ITEM	PART NO.	QTY.	DESCRIPTION
1	---	---	<a href="#">See "Shank Assembly, Seed Tube, and Depth Adjustment" on page P3</a> <a href="#">See "Parallel Arms, Mounting Support Plate, and Quick Adjustable Down Force Springs Option" on page P5</a> <a href="#">See "Hopper Support and Meter Drive" on page P13</a>
2	G10338	2	Carriage Bolt, $\frac{5}{16}$ "-18 x $1\frac{1}{4}$ "
	G10620	2	Serrated Flange Nut, $\frac{5}{16}$ "-18
3	GB0331	1	Clutch Adapter Plate
4	GA20640	1	Meter Drive Assembly, 11/28 Tooth
	G3303-108	-	Chain, No. 41, 108 Pitch Including Connector Link
	G3303-124	-	Chain, No. 41, 120 Pitch Including Connector Link (Center 4 Rows)
	GR0196	-	Connector Link, No. 41
5	GD29798	1	Chain Guard
6	GB0926	1	Shank Cover
7	G10014	1	Hex Head Cap Screw, $\frac{1}{2}$ "-13 x 1"
	G10071	1	Serrated Flange Nut, $\frac{1}{2}$ "-13
8	G11009	2	Locking Thumbscrew, $\frac{5}{16}$ "-18 x $\frac{3}{4}$ "
9	GB1313	1	90° Elbow, $1\frac{1}{2}$ " Hose
10	---	1	<a href="#">See "Vacuum Seed Meter" on page P21</a>
11	GD29413	1	Hopper Shim
12	G10939	2	Hex Head Cap Screw, $\frac{3}{8}$ "-16 x $2\frac{1}{4}$ "
	G11091	2	Serrated Flange Nut, $\frac{3}{8}$ "-16
13	GB0901	1	Air Dissipator Screen
14	GB0455	1	Bulk Fill Air Pressure Dissipator
15	G10001	2	Hex Head Cap Screw, $\frac{3}{8}$ "-16 x 1"
	G11091	2	Serrated Flange Nut, $\frac{3}{8}$ "-16
16	GB0717	1	Vacuum Meter Cover Hinge
17	GB0428	1	Meter Cover
18	GA25304	1	Meter Mount W/Inserts
	GD35858	-	Threaded Insert, $\frac{5}{16}$ "-18 (Included W/GA25304)
19	G10064	2	Hex Head Cap Screw, $\frac{1}{4}$ "-20 x 1"
	G11385	4	Flat Washer, $\frac{1}{4}$ " SAE
	G10110	2	Lock Nut, $\frac{1}{4}$ "-20, Grade B
20	GA21309	1	Meter Support
21	GB0430	1	Bulk Fill Large Cap
22	GD19508	1	Small O-Ring
23	GD19509	1	O-Ring, Large

(IP1637)



ITEM	PART NO.	QTY.	DESCRIPTION
1	---	---	<a href="#">See "Shank and Depth Adjustment (Split Row)" on page P60</a> <a href="#">See "Parallel Arms and Face Plate (Split Row)" on page P58</a>
2	GA21482	1	<a href="#">See "Vacuum Seed Meter" on page P21</a>
3	G11009	2	Locking Thumbscrew, 5/16"-18 x 3/4"
4	GD17052	1	Vacuum Plug
5	G10001	1	Hex Head Cap Screw, 3/8"-16 x 1"
	G11387	8	Hardened Washer, 3/8" SAE
	G10108	1	Lock Nut, 3/8"-16
6	G10180301	1	Vacuum Hose Guide
7	G10047	1	Hex Head Cap Screw, 3/8"-16 x 1 3/4"
8	GA20640	1	Meter Drive Assembly, 11/28 Tooth
	G3303-96	-	Chain, No. 41, 96 Pitch Including Connector Link
	GR0196	-	Connector Link, No. 41
9	G10338	2	Carriage Bolt, 5/16"-18 x 1 1/4"
	G10620	2	Serrated Flange Nut, 5/16"-18
10	GB0331	1	Clutch Adapter Plate
11	GB0926	1	Shank Cover
12	GB1313	1	90° Elbow, 1 1/2" Hose
13	GD29413	1	Hopper Shim
14	G10939	2	Hex Head Cap Screw, 3/8"-16 x 2 1/4"
	G11091	2	Serrated Flange Nut, 3/8"-16
15	GB0901	1	Air Dissipator Screen
16	GB0455	1	Bulk Fill Air Pressure Dissipator
17	G10001	2	Hex Head Cap Screw, 3/8"-16 x 1"
	G11091	2	Serrated Flange Nut, 3/8"-16
18	GA25304	1	Meter Mount W/Inserts
	GD16561	-	Threaded Insert, 5/16"-18 (Included W/GA25304)
19	GB0717	1	Vacuum Meter Cover Hinge
20	GB0428	1	Vacuum Meter Cover
21	G10064	2	Hex Head Cap Screw, 1/4"-20 x 1"
	G10110	2	Lock Nut, 1/4"-20, Grade B
	G11385	4	Flat Washer, 1/4" SAE
22	GA21309	1	Meter Support
23	GB0430	1	Bulk Fill Large Cap
24	GD19508	1	Small O-Ring
25	GD19509	1	O-Ring, Large

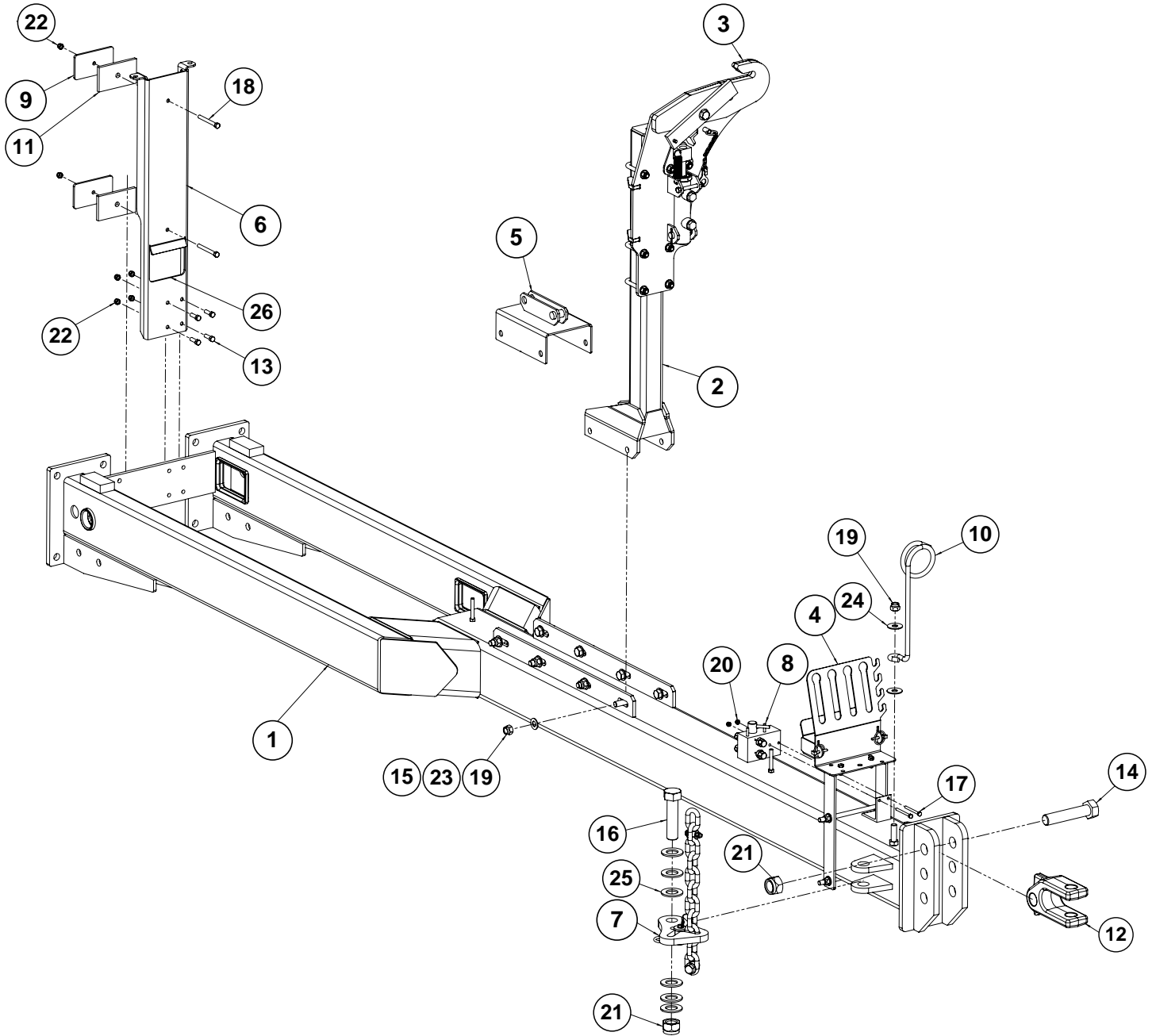
(A26115)



ITEM	PART NO.	QTY.	DESCRIPTION
1	GA24415	1	Bracket
2	GA10918	1	Flow Control Valve
3	GD35929	1	Mount Plate
4	G6801-06-10	1	Elbow, 9/16"-18 x 7/8"-14 W/O-Ring
5	G6400-06-10	1	Adapter, 9/16"-18 JIC, 7/8"-14 O-Ring
6	GD4743	1	U-Bolt, 3" x 3" x 1/2"-13
7	G10403	2	Hex Head Cap Screw, 1/4"-20 x 2 1/2"
8	G10071	2	Serrated Flange Nut, 1/2"-13
9	G10110	2	Lock Nut, 1/4"-20, Grade B
10	G6408-10	1	O-Ring Plug, 7/8-14 Hex Head

**This page left blank intentionally.**

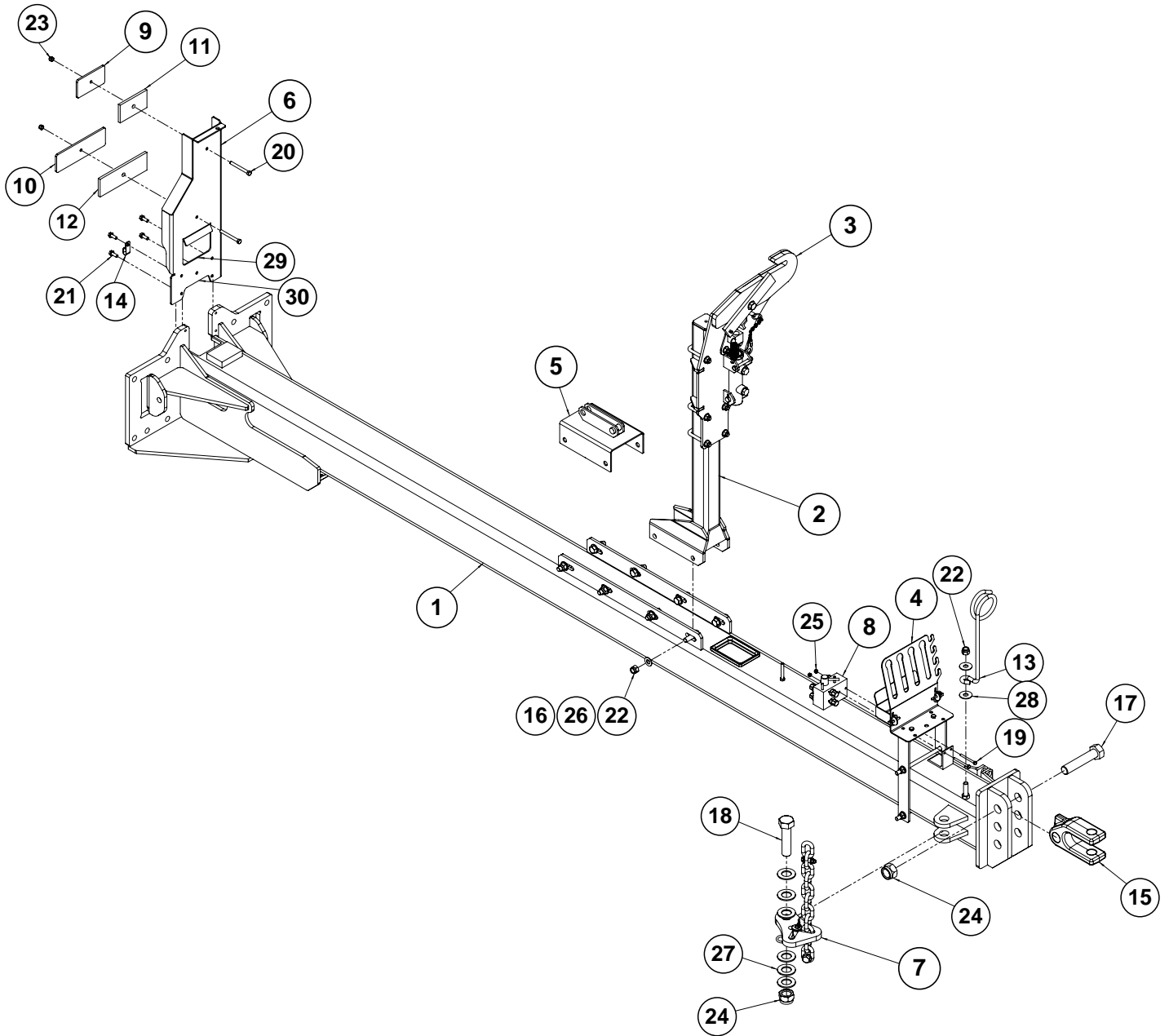
(107063)



ITEM	PART NO.	QTY.	DESCRIPTION
1	G10692701	1	Y-Hitch
2	GA6418	1	Transport Post
3	GA26076	1	<a href="#">See "Transport Catch Assembly" on page P134</a>
4	GA25891	1	<a href="#">See "Hydraulic Hose Holder" on page P131</a>
5	G10740701	1	Jack Storage Mount
6	GA24422	1	Hydraulic Hose Tray
7	GA25107	1	Safety Chain Latch Assembly
8	GA26111	1	Selector Valve
9	GD34015	2	Hose Clamp Plate
10	GD16328	1	Hose Holder
11	GD8189	2	Rubber Strip, 3/8"
12	GB0156	1	Double Clevis
13	G10004	4	Hex Head Cap Screw, 3/8"-16 x 1 1/4"
14	G10169	1	Hex Head Cap Screw, 1 1/4"-7 x 6"
15	G10008	8	Hex Head Cap Screw, 5/8"-11 x 2"
16	G11290	1	Hex Head Cap Screw, 1 1/4"-7 x 5"
17	G10746	2	Hex Head Cap Screw, 1/4"-20 x 2 3/4"
18	G10061	2	Hex Head Cap Screw, 3/8"-16 x 3 1/2"
19	G10107	9	Lock Nut, 5/8"-11
20	G10110	2	Lock Nut, 1/4"-20, Grade B
21	G10157	2	Lock Nut, 1-1/4"-7
22	G10108	6	Lock Nut, 3/8"-16
23	G11391	16	Flat Washer, 5/8" SAE
24	G10217	2	Washer, 5/8" USS
25	G11396	6	Flat Washer, 1 1/4" SAE
26	G4425-02	1	Edge Molding, 3/16" x 15"

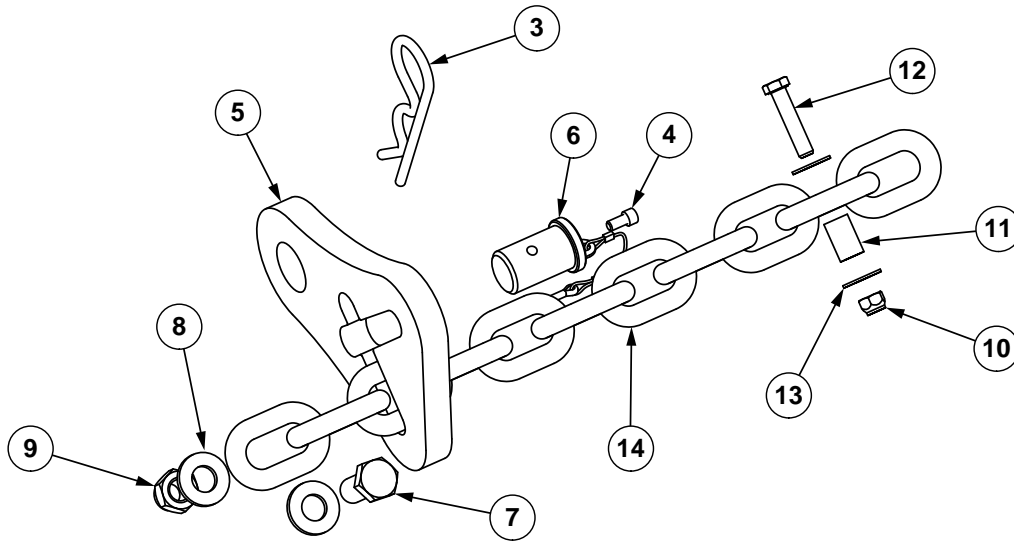


(107062)



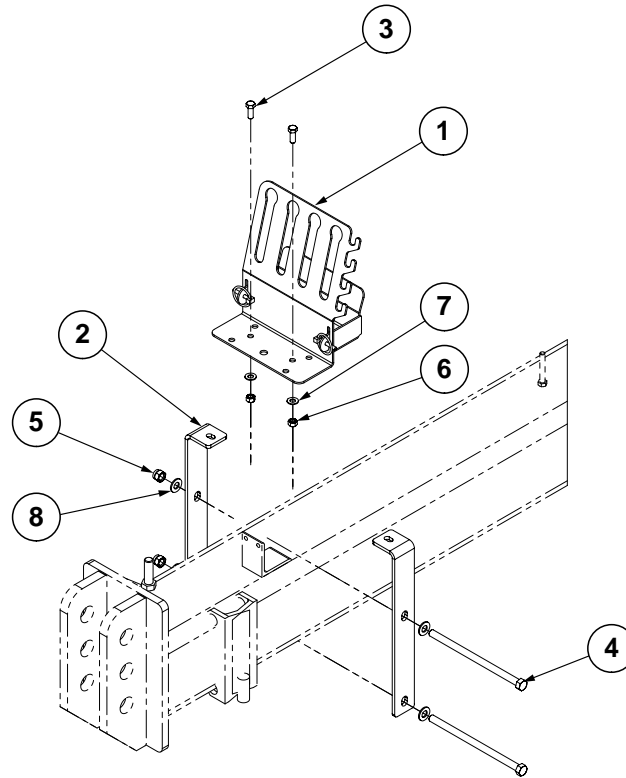
ITEM	PART NO.	QTY.	DESCRIPTION
1	G10692601	1	T-Hitch
2	GA6418	1	Transport Post
3	GA26076	1	<a href="#">See "Transport Catch Assembly" on page P134</a>
4	GA25891	1	<a href="#">See "Hydraulic Hose Holder" on page P131</a>
5	G10740701	1	Jack Storage Mount
6	GA25893	1	T-Hitch Bulkhead
7	GA25107	1	Safety Chain Latch Assembly
8	GA26111	1	Selector Valve
9	GD34015	1	Hose Clamp Plate
10	GD35724	1	Hose Clamp Plate
11	GD8189	1	Rubber Strip, 3/8"
12	GD35725	1	Rubber Strip, 3/8"
13	GD16328	1	Hose Holder
14	GD17161	1	Insulated Clamp
15	GB0156	1	Double Clevis
16	G10008	8	Hex Head Cap Screw, 5/8"-11 x 2"
17	G10169	1	Hex Head Cap Screw, 1 1/4"-7 x 6"
18	G11290	1	Hex Head Cap Screw, 1 1/4"-7 x 5"
19	G10746	2	Hex Head Cap Screw, 1/4"-20 x 2 3/4"
20	G10061	2	Hex Head Cap Screw, 3/8"-16 x 3 1/2"
21	G11124	4	Hex Serrated Flange Cap Screw, 3/8"-16 x 1"
22	G10107	9	Lock Nut, 5/8"-11
23	G10108	2	Lock Nut, 3/8"-16
24	G10157	2	Lock Nut, 1-1/4"-7
25	G10110	2	Lock Nut, 1/4"-20, Grade B
26	G11391	16	Flat Washer, 5/8" SAE
27	G11396	6	Flat Washer, 1 1/4" SAE
28	G10217	2	Washer, 5/8" USS
29	G4425-02	1	Edge Molding, 3/16" x 15"
30	G4425-03	1	Edge Molding, 3/16" x 4.5"

(A25107)



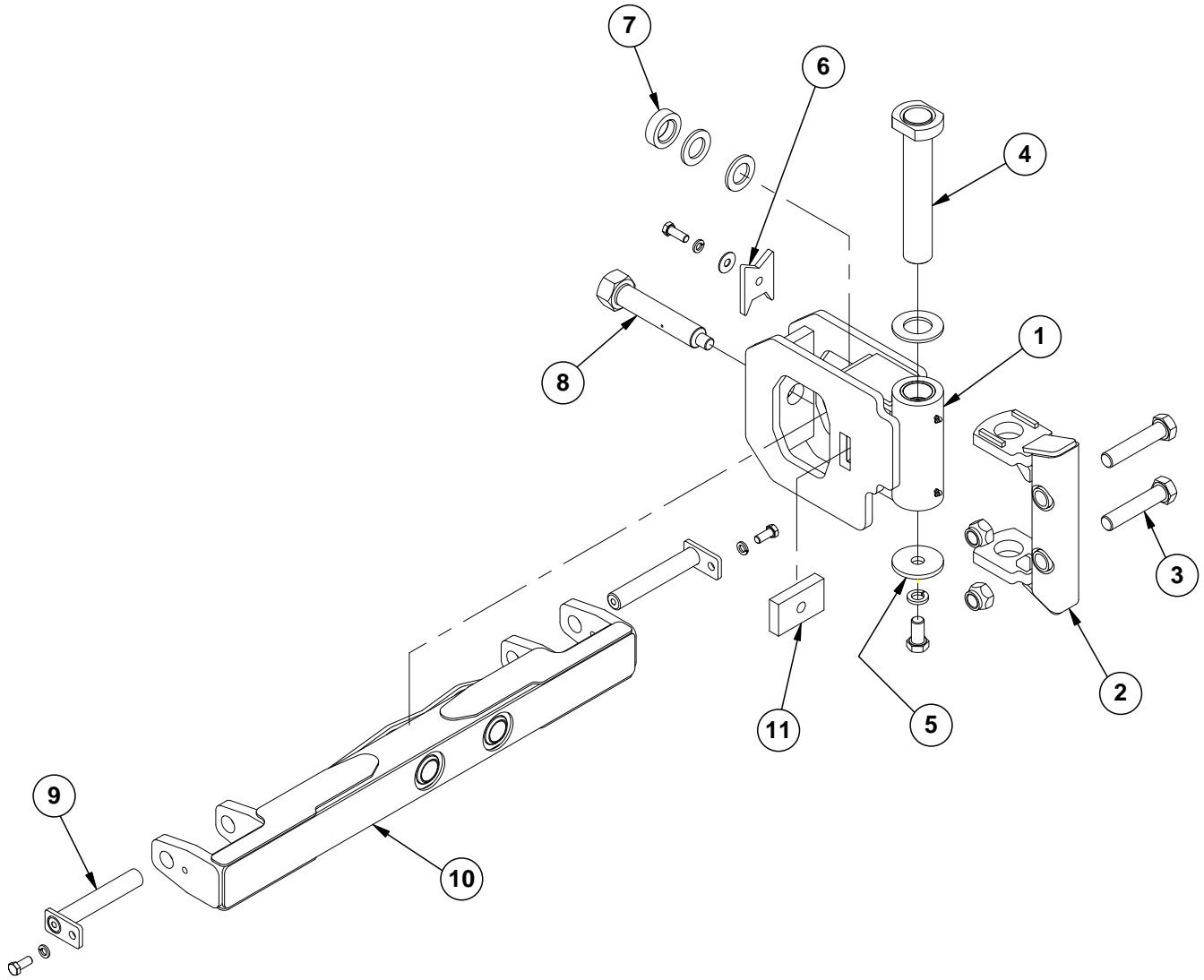
ITEM	PART NO.	QTY.	DESCRIPTION
1	---	-	---
2	---	-	---
3	G10671	1	Hairpin Cotter, 3/16" x 3 1/4"
4	G11874	1	Hex Socket Head Cap Screw, 1/4"-20 x 1/2"
5	GD35127	1	Single Chain Latch
6	GD35340	1	Chain Latch Pin
7	G10007	1	Hex Head Cap Screw, 5/8"-11 x 1 1/2"
8	G11391	2	Flat Washer, 5/8" SAE
9	G10107	1	Lock Nut, 5/8"-11
10	G10108	1	Lock Nut, 3/8"-16
11	GD8893-07	1	Sleeve, 1" Long
12	G10047	1	Hex Head Cap Screw, 3/8"-16 x 1 3/4"
13	G10210	2	Washer, 3/8" USS
14	G3324-01	1	Safety Chain, 13MM Grade 70, 97-1/2"

(A25891)



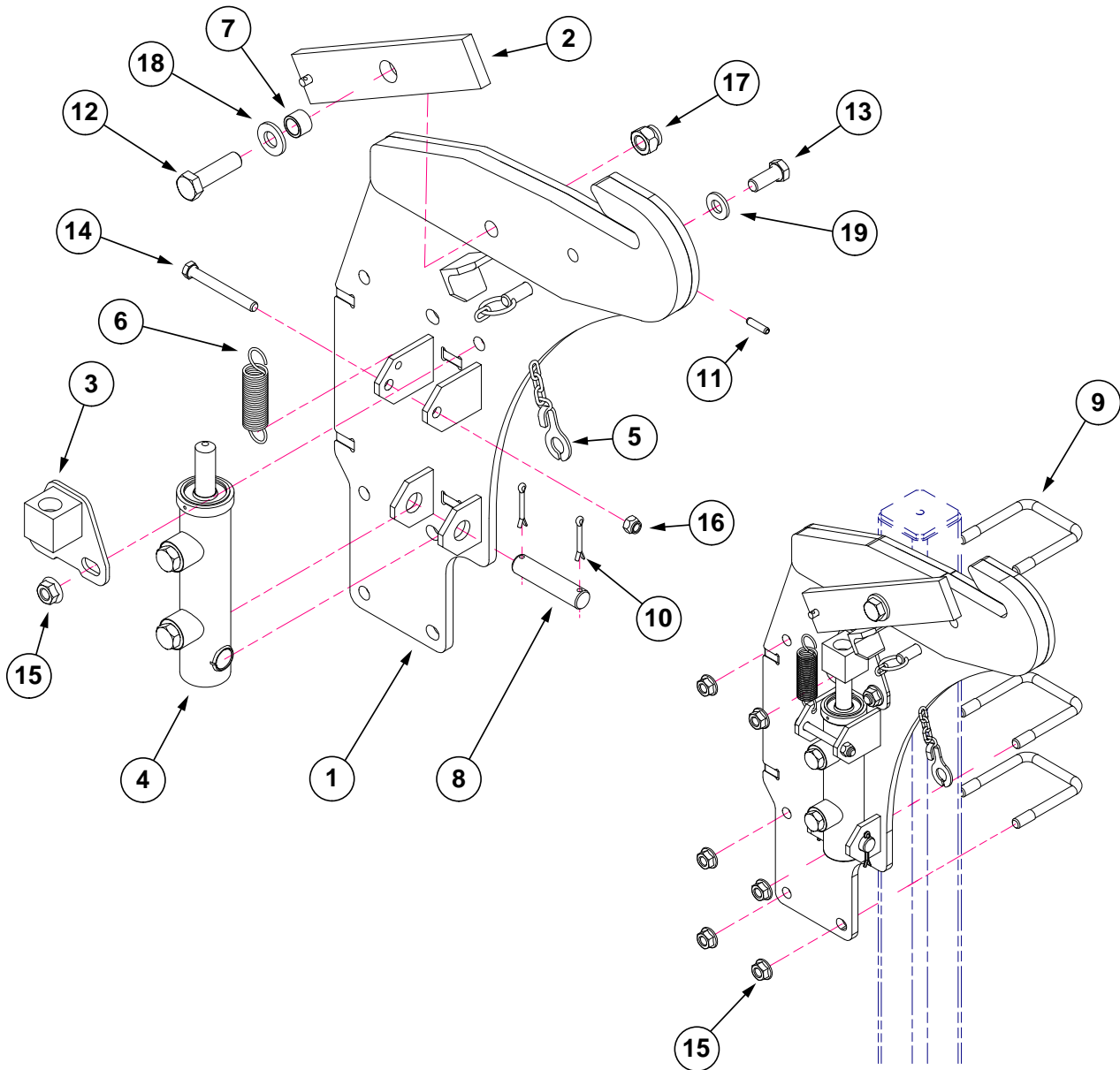
ITEM	PART NO.	QTY.	DESCRIPTION
1	GA25760	1	Hydraulic Hose Holder Assembly
2	GD35726	2	Bracket
3	G10001	2	Hex Head Cap Screw, 3/8"-16 x 1"
4	G10909	2	Hex Head Cap Screw, 1/2"-13 x 9"
5	G10111	2	Lock Nut, 1/2"-13
6	G10101	2	Hex Nut, 3/8"-16
7	G11387	2	Flat Washer, 3/8" SAE
8	G11389	4	Flat Washer, 1/2" Plated SAE

(IP1012/A12406)



ITEM	PART NO.	QTY.	DESCRIPTION
1	GA13665	1	Hitch Pivot
2	GA13783	1	Pivot Mount
3	G10169	2	Hex Head Cap Screw, 1¼"-7 x 6"
	G10157	2	Lock Nut, 1¼"-7
4	GA12163	1	Pin, 13 <sup>3</sup> / <sub>8</sub> "
	GD15725	1	Washer, 4" O.D. x 2¼" I.D. x ¼"
5	GD17245	1	Washer, 4" O.D. x 1½" I.D. X ¾"
	G11223	1	Hex Head Cap Screw, 1"-8 x 2"
	G10118	1	Lock Washer, 1"
6	GD15100	1	Pivot Lock
	G10230	1	Lock Washer, 5/8"
	G10217	1	Washer, 5/8" USS
	G10005	1	Hex Head Cap Screw, 7/8"-11 x 1¾"
7	GD16226	1	Sleeve, 3" O.D. x 1 <sup>25</sup> / <sub>32</sub> " x 2 <sup>9</sup> / <sub>32</sub> " Thick
	GD16303	2	Washer, 3" O.D. x 1 <sup>25</sup> / <sub>32</sub> " x ¼" Thick
8	GA13673	1	Pivot Pin
9	GA11079	2	Hammer Strap, Category 3 And 3N
	G10007	2	Hex Head Cap Screw, 5/8"-11 x 1½"
	G10230	2	Lock Washer, 5/8"
10	GA12164	1	Hitch Bar
11	GD19468	1	Tapped Bar

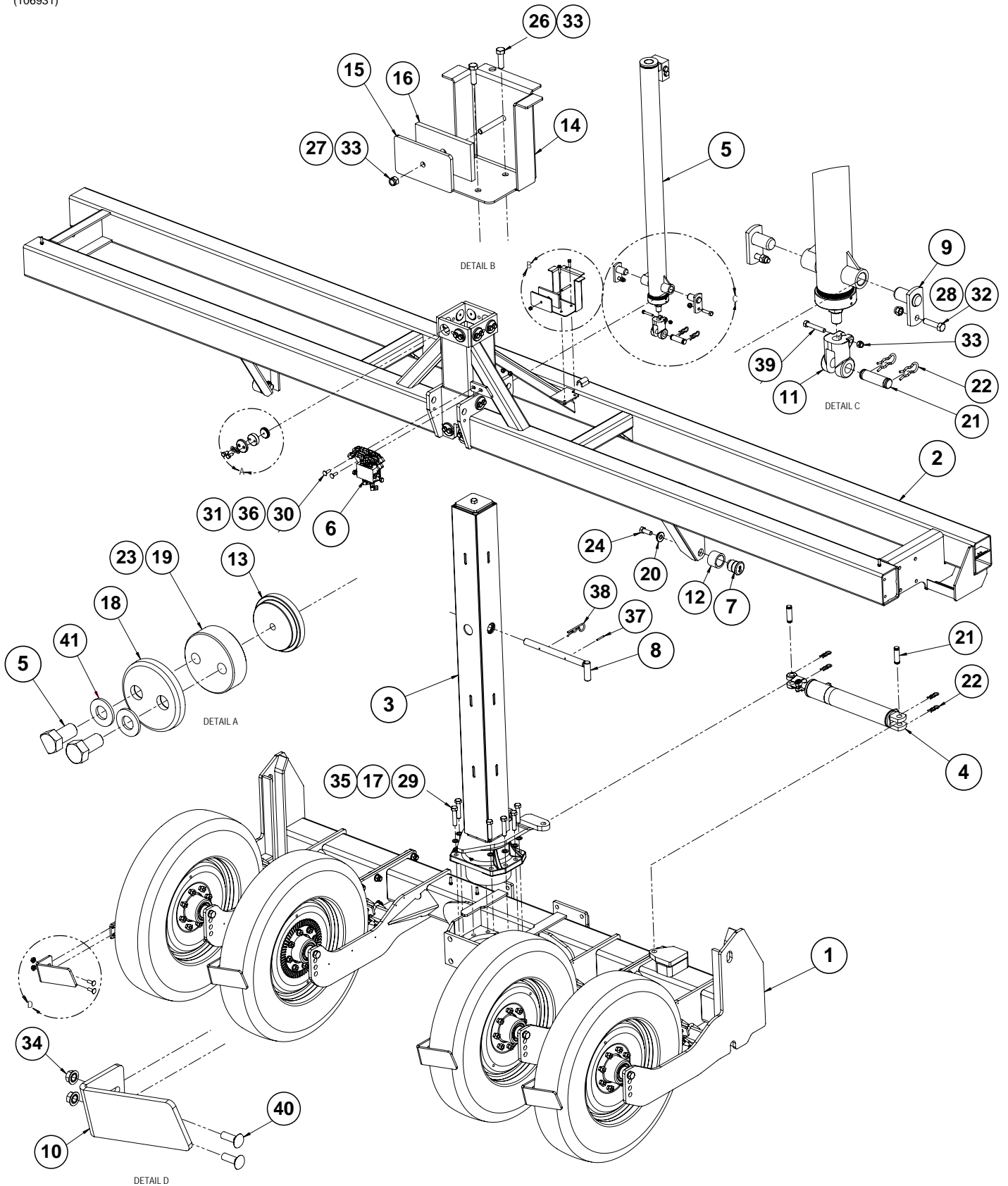
(A26076)



ITEM	PART NO.	QTY.	DESCRIPTION
1	GA25922	1	Transportation Catch
2	GA6422	1	Catch Bar
3	GA25722	1	Rod Guide
4	GA9559	1	Cylinder Complete, 1 1/2" x 2 1/2" (Part Number Stamped On Barrel)
5	GA7022	1	Detent Pin W/Chain
6	GD5857	1	Spring
7	GB0218	1	Bushing, 21/32" I.D. x 7/8" O.D. x 19/32" Long
8	GD7137	1	Pin, 3/4" x 3 3/8"
9	GD4743	3	U-Bolt, 3" x 3" x 1/2"-13
10	G10457	2	Cotter Pin, 5/32" x 1 1/2"
11	G10765	1	Spring Pin, 1/4" x 1"
12	G10006	1	Hex Head Cap Screw, 5/8"-11 x 2 1/4"
13	G10037	1	Hex Head Cap Screw, 1/2"-13 x 1 1/4"
14	G10809	1	Hex Head Cap Screw, 3/8"-16 x 3 1/4"
15	G10071	7	Serrated Flange Nut, 1/2"-13
16	G10108	1	Lock Nut, 3/8"-16
17	G10107	1	Lock Nut, 5/8"-11
18	G11391	1	Flat Washer, 5/8" SAE
19	G11389	1	Flat Washer, 1/2" Plated SAE

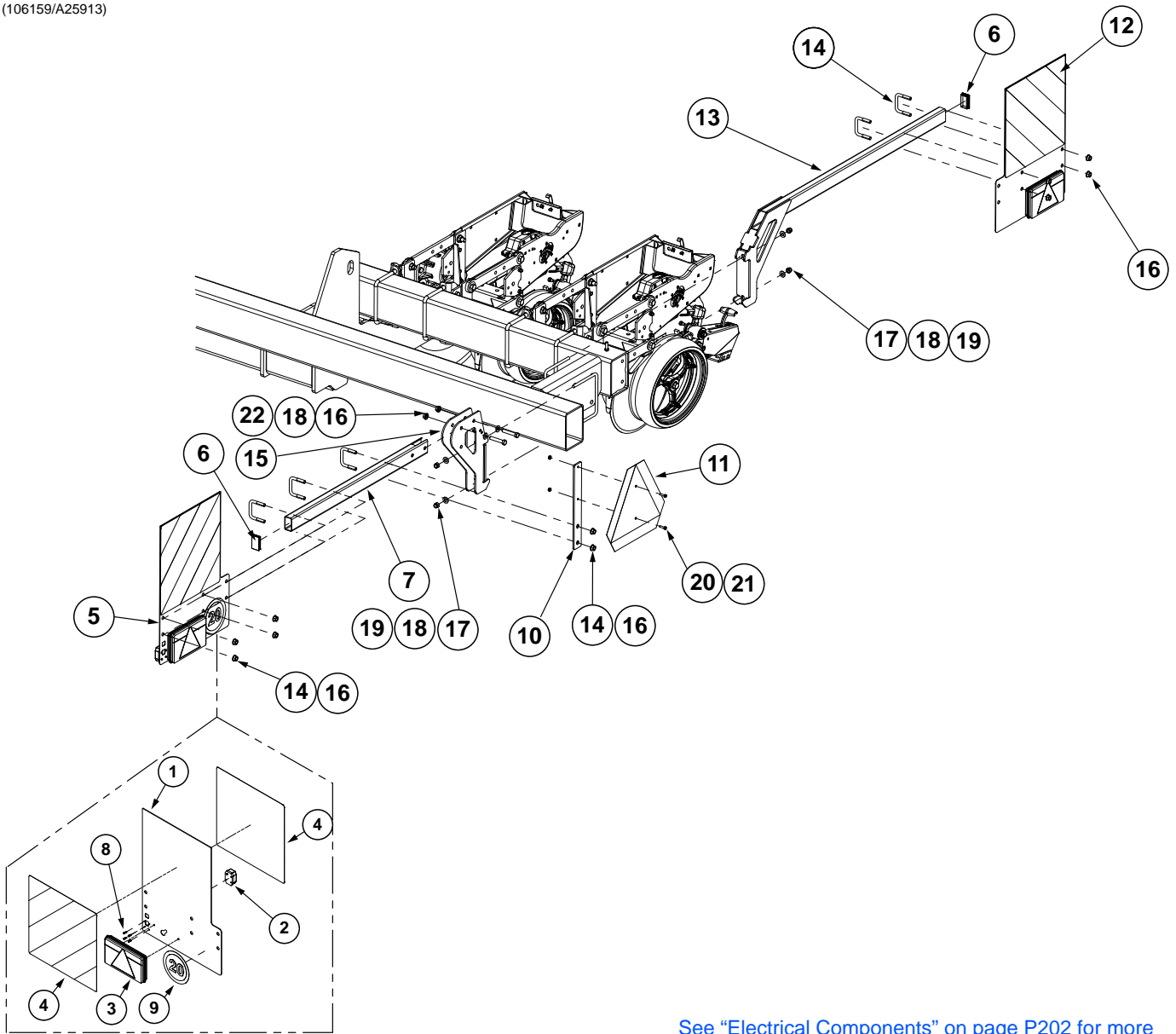


(106931)



ITEM	PART NO.	QTY.	DESCRIPTION
1	G10696001	1	<a href="#">See "Axle Assembly" on page P140</a>
2	GA25717	1	Center Frame
3	GA20688	1	Center Post Assembly
4	GA8911	1	<a href="#">See "Rotation Cylinder" on page P174</a>
5	GA24694	1	<a href="#">See "Lift Cylinder" on page P164</a>
6	GA25725	1	<a href="#">See "Row Marker Sequencing/Flow Control Valve" on page P170</a>
7	GA6497	2	Eccentric Fitting
8	GA6849	1	Pin
9	GA5121	2	Cylinder Pin
10	GD37053	4	Mud Scraper Bar
11	GD30859	1	Clevis Rod
12	GD10532	2	Sleeve
13	GD34081	16	Wear Pad
14	GD34104	1	Hydraulic Hose Bracket
15	GD34015	1	Hose Plate Clamp
16	GD8189	1	Rubber Strip, 3/8"
17	GD2169	16	Special Washer, 25/32" I.D. x 1 1/4" O.D., Hardened
18	GB0230	16	Cap
19	GB0234	16	Adjustment Plug
20	GB0409	2	Spring Washer
21	GR0375	3	Pin, 1" x 3 1/2"
22	GR0193	6	Hair Pin Clip
23	GD24385-02	16	Ribbon Sealer
24	G10026	2	Hex Head Cap Screw, 3/4"-10 x 2"
25	G10014	32	Hex Head Cap Screw, 1/2"-13 x 1"
26	G10004	2	Hex Head Cap Screw, 3/8"-16 x 1 1/4"
27	G11847	1	Bolt, 3/8"-16x2-3/4"
28	G10016	2	Hex Head Cap Screw, 1/2"-13 x 2"
29	G10810	8	Hex Head Cap Screw, 3/4"-10 x 3 1/2", Grade 8
30	G11815	2	Carriage Bolt, 7/16"-14 x 1-1/2", Grade 8
31	G10113	2	Lock Nut, 7/16"-14
32	G10111	2	Lock Nut, 1/2"-13
33	G10108	4	Lock Nut, 3/8"-16
34	G10071	8	Serrated Flange Nut, 1/2"-13
35	G10105	8	Hex Nut, 3/4"-10
36	G11388	2	Flat Washer, 7/16"
37	G10606	1	Spring Pin, 1/4"x 2"
38	G10671	1	Hairpin Cotter, 3/16" x 3 1/4"
39	G10939	1	Hex Head Cap Screw, 3/8"-16 x 2 1/4"
40	G10636	8	Carriage Bolt, 1/2"-13 x 1 1/2"
41	G11389	32	Flat Washer, 1/2" Plated SAE

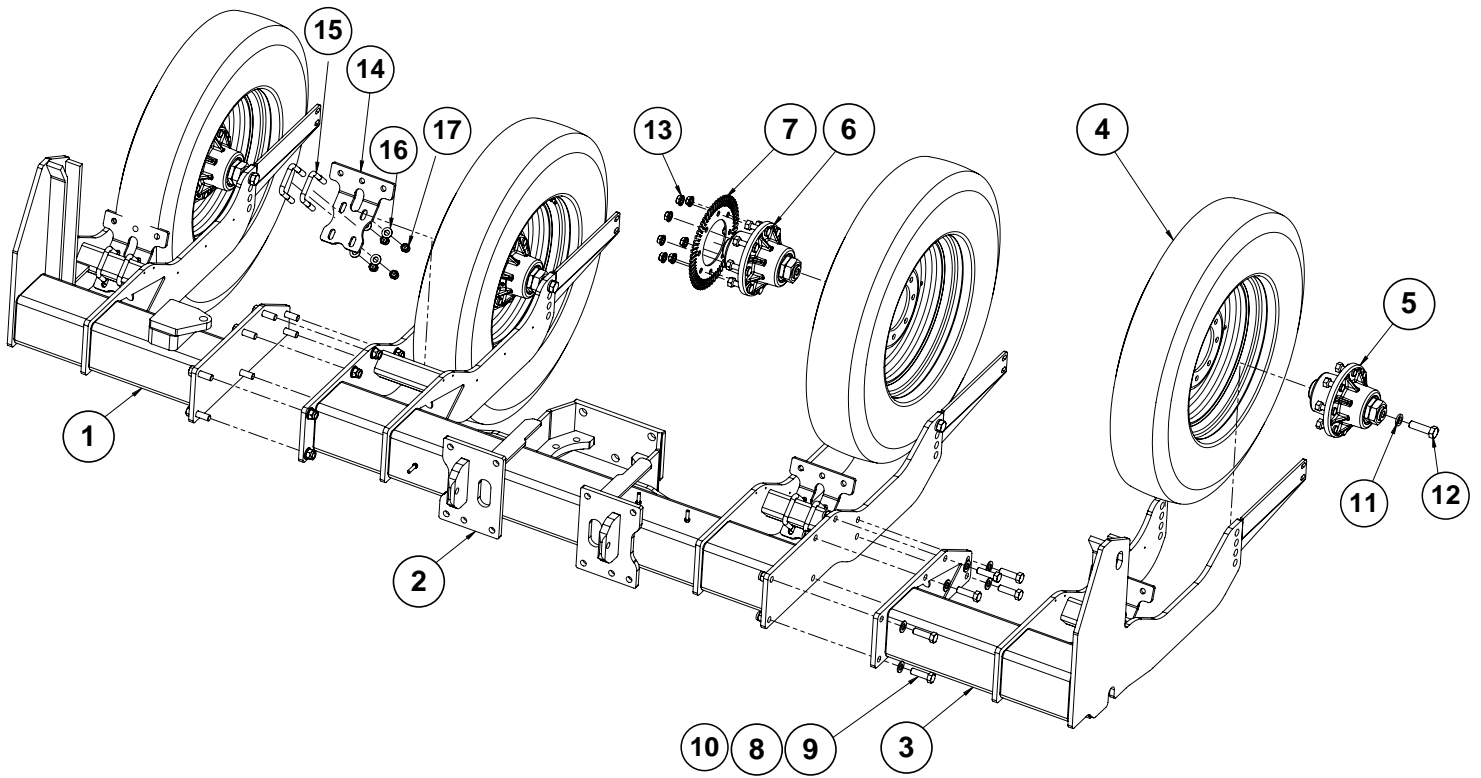
(106159/A25913)



[See "Electrical Components" on page P202 for more information.](#)

ITEM	PART NO.	QTY.	DESCRIPTION
1	GD35713	1	Light Bracket Mount
2	GA25776	1	Tail Light
3	GA25775	1	Brake/Stop/Turn Light
4	G7100-577	2	Reflective Decal
5	GA25913	1	L. H. Lighting
6	G10252301	2	Rectangular Plug
7	GD35743	1	Tube
8	G11556	4	Phillips Pan Head Tapping Screw, 6-19 x 1/2"
9	G7100-578	1	Decal, 20 KM/H
10	GD35729	1	SMV Sign Mounting Bracket
11	GD2199	1	SMV Sign
12	GA25914	1	R. H. Lighting
13	GA25755	1	Light Bracket, R.H.
14	GD13287	5	U-Bolt, 1 1/2" x 2 1/2" x 1/2"-13
15	GA25905	1	Light Bracket, L.H.
16	G10071	12	Serrated Flange Nut, 1/2"-13
17	G10111	4	Lock Nut, 1/2"-13
18	G11389	6	Flat Washer, 1/2" Plated SAE
19	GD11721	2	U-Bolt, 5" x 7" x 1/2"-13
20	G10064	2	Hex Head Cap Screw, 1/4"-20 x 1"
21	G10621	2	Serrated Flange Nut, 1/4"-20
22	G10397	2	Hex Head Cap Screw, 1/2"-13 x 2 3/4"

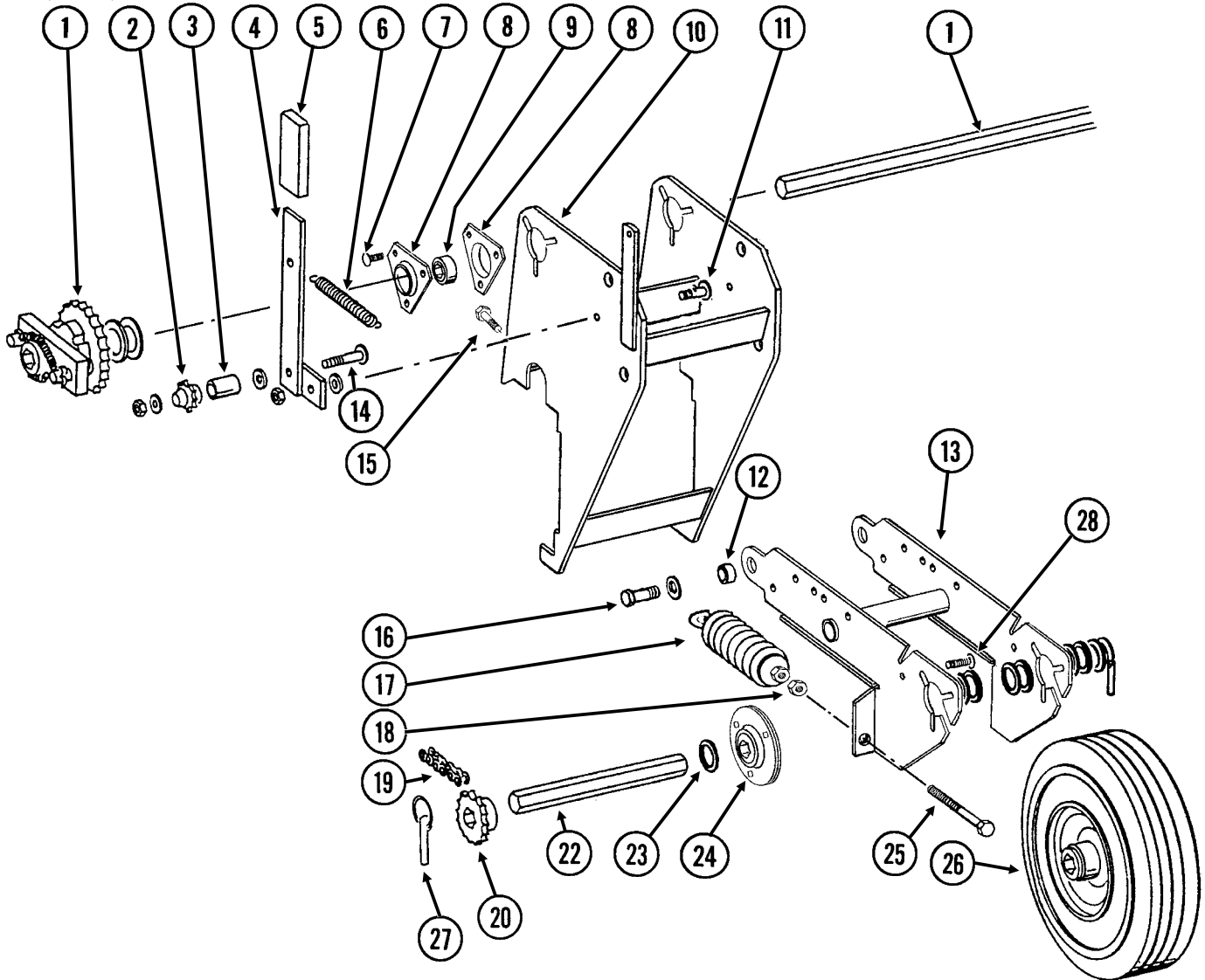
(106960)



ITEM	PART NO.	QTY.	DESCRIPTION
1	G10693001	1	Axle Wheel Arm, R. H.
2	G10692901	1	Axle Center
3	G10692801	1	Axle Wheel Arm, L. H.
4	G10928301	4	Tire/Rim Assembly
5	GA4736	3	Hub And Spindle Assembly
6	GA27032	1	Hub And Spindle Assembly
7	GD18643	1	Jump Start
8	G11392	28	Flat Washer, 3/4" SAE
9	G10027	14	Hex Head Cap Screw, 3/4"-10 x 2 1/2"
10	G10112	14	Lock Nut, 3/4"-10
11	G10330	8	Lock Washer, 7/8"
12	G10441	8	Hex Head Cap Screw, 7/8"-9 x 3", Grade 8
13	G11254	8	Serrated Flange Nut, 5/8"-18
14	G10835701	4	Scraper
15	GD14671	8	U-Bolt, 3" x 3" x 5/8"-11
16	G11391	16	Flat Washer, 5/8" SAE
17	G10107	16	Lock Nut, 5/8"-11

**This page left blank intentionally.**

PLA026(TWL5300)



ITEM	PART NO.	QTY. (Per Wheel)	DESCRIPTION
1	---	-	<a href="#">See "Driveline" on page P144</a>
2	GD7426	1	Sprocket, 12 Tooth
3	GD1026	1	Sleeve, 1 <sup>3</sup> / <sub>16</sub> " Long
4	GA5157	1	Idler Arm, L.H.
5	GD5827	1	Cover
6	GD5857	1	Spring
7	G10303	3	Carriage Bolt, 5/16"-18 x 1"
	G10620	3	Serrated Flange Nut, 5/16"-18
8	G3400-01	4	Flangette
9	G2100-03	2	Bearing, 7/8" Hex Bore, Spherical
10	GA27095	1	Contact Tire Arm Mount
11	G10004	1	Hex Head Cap Screw, 3/8"-16 x 1 <sup>1</sup> / <sub>4</sub> "
	G10229	1	Lock Washer, 3/8"
	G10370	1	Machine Bushing, 3/8", 22 Gauge
	GD5756	1	Special Nut, 3/8"-16
12	GB0218	2	Bushing, 2 <sup>1</sup> / <sub>32</sub> " I.D. x 7/8" O.D. x 1 <sup>9</sup> / <sub>32</sub> " Long

## Contact Wheel and Arm Assembly

M0311-02

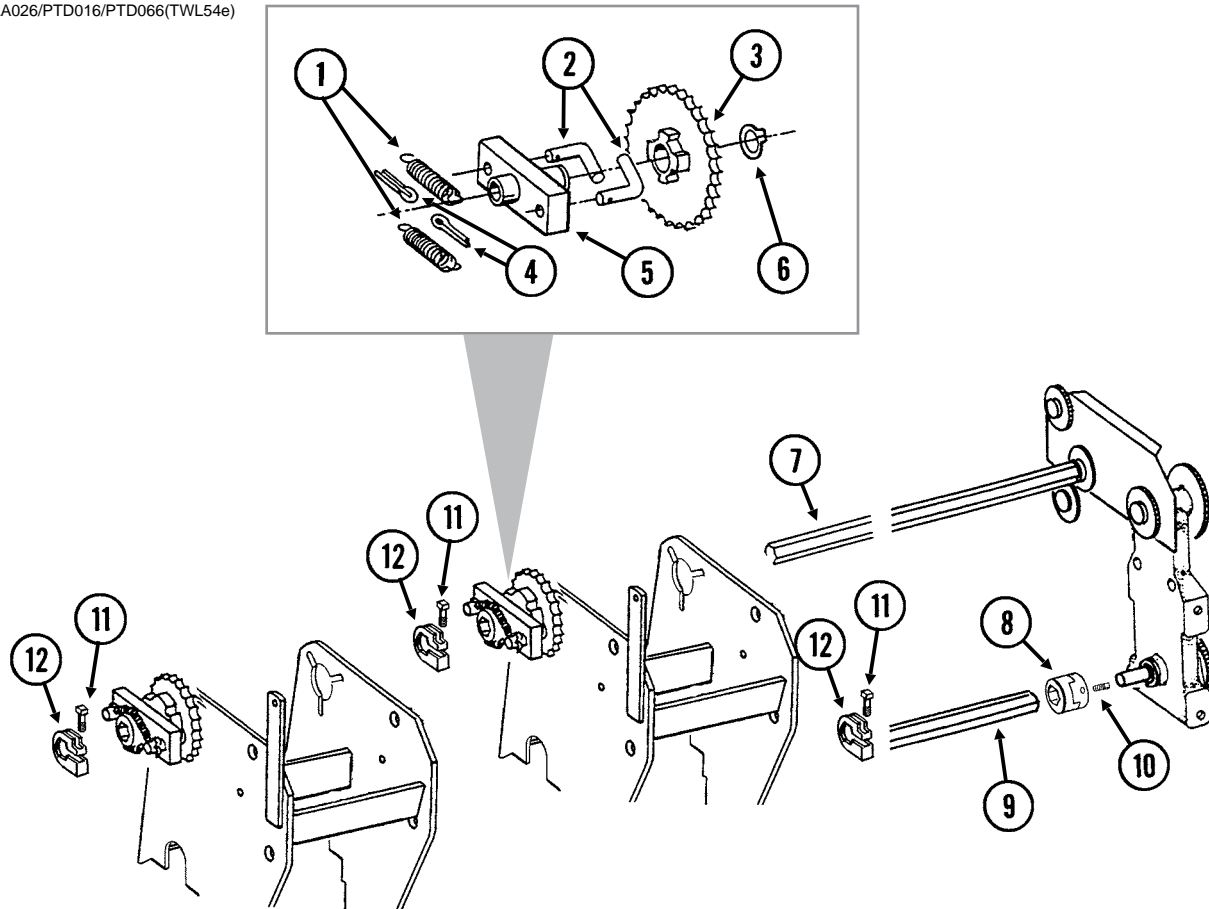
Model 3505

ITEM	PART NO.	QTY. (Per Wheel)	DESCRIPTION
13	A7369	1	Wheel Arm <b>(Non-Stock Item)(Sub G1K253)</b>
14	G10306	1	Carriage Bolt, 3/8"-16 x 2"
	G11387	-	Flat Washer, 3/8" SAE (As Required)
	G10108	1	Lock Nut, 3/8"-16
15	G10004	2	Hex Head Cap Screw, 3/8"-16 x 1 1/4"
	G10229	2	Lock Washer, 3/8"
	G10101	2	Hex Nut, 3/8"-16
16	G10751	2	Hex Head Cap Screw, 5/8"-18 x 1 3/4"
	G10235	6	Machine Bushing, 7/8", 14 Gauge
	G11391	2	Flat Washer, 5/8" SAE
	G10412	2	Lock Nut, 5/8"-18
17	GA2068	2	Spring W/Plug
18	G10501	2	Hex Jam Nut, 1/2"-13, Grade 2
19	G3310-116	1	Chain, No. 40, 116 Pitch Including Connector Link (Used With 15 And 19 Tooth Sprockets)
	G3310-124	1	Chain, No. 40, 124 Pitch Including Connector Link (Used With 30 Tooth Sprocket)
	GR0912	-	Connector Link, No. 40
20	GA5105	1	Sprocket, 15 Tooth
	GA5107	-	Sprocket, 19 Tooth
	GA5114	-	Sprocket, 30 Tooth
21	G10602	1	Spring Pin, 1/4" x 1 1/2"
22	GD6825-10.5	1	Hex Shaft, 7/8" x 10 1/2" (2 Holes)
23	G10233	6	Machine Bushing, 1 1/2" x 1/32", 10 Gauge
24	GA9846	-	Flanged Bearing, 7/8" Hex Bore
25	G10890	2	Hex Head Adjusting Bolt, 1/2"-13 x 4", Grade 2
26	GA5090	-	Tire And Rim Assembly (Specify Brand*)
	GD5753	1	Tire, 4.10" x 6" (Specify Brand*) (Included W/GA5090)
	GD5752	1	Inner Tube (Included W/GA5090)
27	GD2558	1	Lynch Pin, 1/4"
28	G10303	-	Carriage Bolt, 5/16"-18 x 1"
	G10232	-	Lock Washer, 5/16"
	G10106	6	Hex Nut, 5/16"-18
A	G1K253	-	Contact Wheel Arm Replacement Kit (Items 13, 18, 21, 22, 24, 25, 27 And 28)

**\*Specific brand requests will be supplied only as available from current Kinze Repair Parts stock. If a specific brand requested is not in stock, the brand available will be supplied. Different brand tires may have different diameters. Change in tire brand may affect rates. Field checks are recommended after any change in contact tires.**



PTD033/PLA026/PTD016/PTD066(TWL54e)



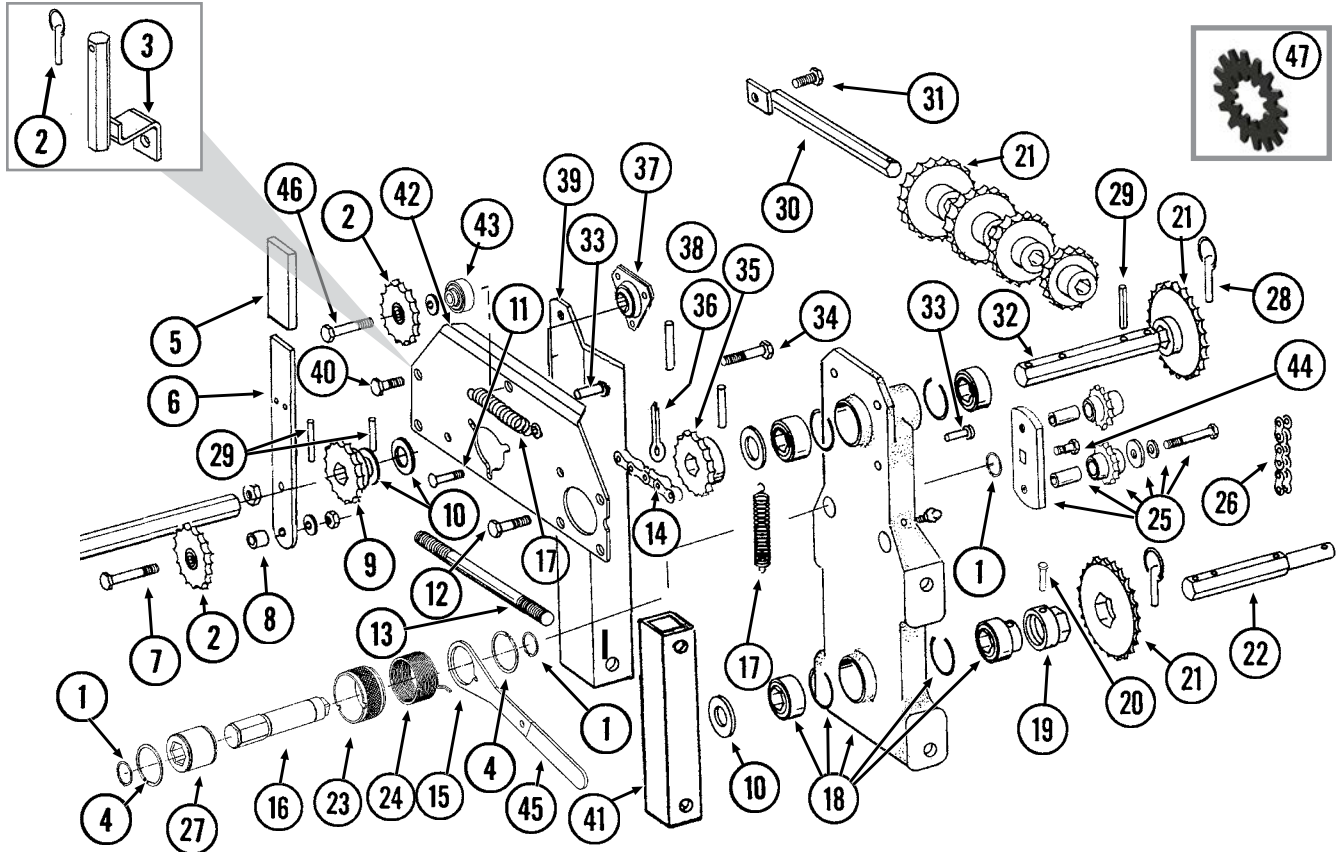
ITEM	PART NO.	QTY. (Per Planter)	DESCRIPTION
1	GD1256	4	Spring
2	GD1255	4	L-Pin
3	GA5165	2	Sprocket, 30 Tooth
4	G10453	4	Cotter Pin, 3/16" x 1"
5	GA0378	2	Block And Hub Assembly
6	G10430	2	External Retaining Ring, 1 1/4"
7	GD35678	-	Hex Shaft, 7/8" x 98"
8	GB0287	2	Coupler
9	GD0914-210	-	Hex Shaft, 7/8" x 210"
10	G10131	4	Square Head Set Screw, 5/16"-18 x 3/4"
11	G10130	-	Square Head Machine Bolt, 5/16"-18 x 1 3/4"
	G10923	-	Flange Nut, 5/16"-18, No Serration
12	GD11045	-	Lock Clamp
A	GA5164	-	Ratchet/Sprocket Assembly (Items 1-6)
B	G1K269	-	Lock Clamp Kit (Items 11 And 12)

# Seed Rate Transmission Assembly

M0311-02

Model 3505

(METR34aa/PT8mmPT8LL)



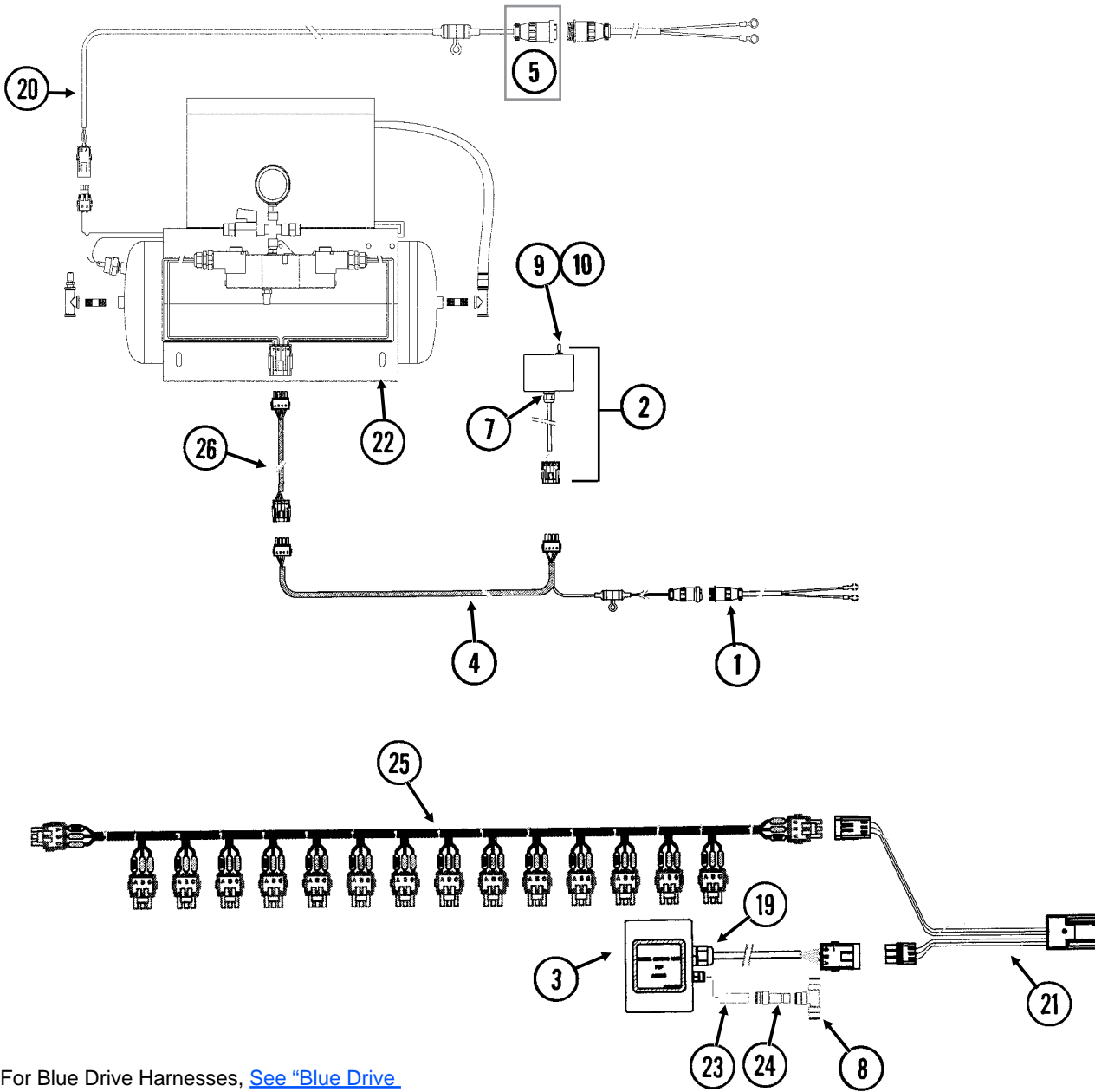
ITEM	PART NO.	QTY.	DESCRIPTION
1	G11075	3	Internal Inverted Snap Ring, 7/8"
2	GD2558	-	Lynch Pin, 1/4"
3	GA12178	1	Additional Sprocket Storage Rod (Vacuum) See Item No. 21 for Sprockets
	G11389	2	Flat Washer, 1/2" Plated SAE
	G10017	1	Hex Head Cap Screw, 1/2"-13 x 1 1/2"
	G10111	1	Lock Nut, 1/2"-13
	G10527	1	Lock Washer, 1/2" Internal/External
4	G10496	2	External Inverted Snap Ring, 1 1/2"
5	GD5827	1	Cover
6	GD31450	1	Arm
7	G10053	1	Hex Head Cap Screw, 1/2"-13 x 2 1/2"
	G10128	-	Machine Bushing, 1/2", 14 Gauge (As Required)
	G10228	1	Lock Washer, 1/2"
	G10102	1	Hex Nut, 1/2"-13
8	GD4887-01	1	Sleeve, 1/2" I.D. x 5/8" Long
9	GA5105	1	Sprocket, 15 Tooth
10	G10233	-	Machine Bushing, 1", 10 Gauge
11	G10303	3	Carriage Bolt, 5/16"-18 x 1"
	G10620	3	Serrated Flange Nut, 5/16"-18
12	G10037	3	Hex Head Cap Screw, 1/2"-13 x 1 1/4"
	G10228	3	Lock Washer, 1/2"
	G10102	3	Hex Nut, 1/2"-13

Continued on the next page.

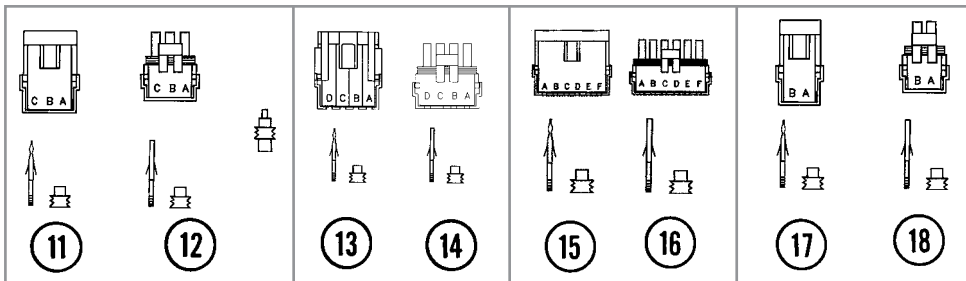
ITEM	PART NO.	QTY.	DESCRIPTION
13	G10177	2	Hex Head Cap Screw, 5/8"-11 x 9 1/2"
	G10230	2	Lock Washer, 5/8"
	G10104	2	Hex Nut, 5/8"-11
14	G3310-92	1	Chain, No. 40, 92 Pitch Including Connector Link
	G3310-108	-	Chain, No. 40, 108 Pitch Including Connector Link (Twin Row only)
	GR0912	-	Connector Link, No. 40
15	GD14431	1	Handle
16	GD14427	1	Tightener Shaft, 4 7/8"
17	GD5857	2	Spring
18	GA5629	1	Transmission Plate W/Bearings, Grease Fittings And Retaining Rings
	GA5116	3	Bearing, 7/8" Hex Bore, Cylindrical (Included W/GA5629)
	GA5624	1	Special Bearing, 7/8" Hex Bore x 1.6" (Included W/GA5629)
	GD6551	4	Ring (Included W/GA5629)
	G10641	-	Grease Fitting, 1/8" NPT (Included W/GA5629)
19	GD7127	1	Shear Coupler
20	G10821	1	Clevis Pin, 3/16" x 2"
	G10455	-	Cotter Pin, 1/16" x 1 1/2"
21	GA5105	1	Sprocket, 15 Tooth (Vacuum)
	GA5106	1	Sprocket, 17 Tooth (Vacuum)
	GA5107	1	Sprocket, 19 Tooth (Vacuum)
	GA5108	2	Sprocket, 23 Tooth
	GA5109	1	Sprocket, 24 Tooth
	GA5110	1	Sprocket, 25 Tooth
	GA5111	1	Sprocket, 26 Tooth
	GA5112	1	Sprocket, 27 Tooth
	GA5113	1	Sprocket, 28 Tooth
	GA5114	2	Sprocket, 30 Tooth (Vacuum)
22	GD7822	1	Shaft, 7/8" x 7"
23	GD19343	1	Release Collar, Gold, R.H.
24	GD14413	1	Torsion Spring, L.H. (Used On R.H. Wrap Spring Wrench)
25	GA7336	1	Idler W/Bolt-On Sprockets
	GD7426	-	Sprocket, 12 Tooth (Included W/GA7336)
	GD1026	-	Sleeve, 1 3/16" Long (Included W/GA7336)
	G11387	-	Flat Washer, 3/8" SAE (Included W/GA7336)
	G10229	-	Lock Washer, 3/8" (Included W/GA7336)
	G10047	-	Hex Head Cap Screw, 3/8"-16 x 1 1/4" (Included W/GA7336)
26	G3310-80	1	Chain, No. 40, 80 Pitch Including Connector Link
	GR0912	-	Connector Link, No. 40
27	GD14432	1	Sleeve, 1 1/4"
28	GD2558	3	Lynch Pin, 1/4"
29	G10602	5	Spring Pin, 1/4" x 1 1/2"
30	GA5146	1	Sprocket Storage Rod
31	G10017	1	Hex Head Cap Screw, 1/2"-13 x 1 1/2"
	G10527	1	Lock Washer, 1/2" Internal/External
	G10111	1	Lock Nut, 1/2"-13
32	GD5835	1	Shaft, 7/8" x 7"
33	G10870	1	Clevis Pin, 3/8" x 1"
	G10860	1	Retaining Ring, 3/8"
34	G10004	1	Hex Head Cap Screw, 3/8"-16 x 1 1/4"
	G10229	1	Lock Washer, 3/8"
	G10203	-	Washer, 3/8" SAE (As Required)
	GD15538	-	Spacer, 3/8" I.D. x 7/8" O.D., 7 Gauge
	GD5756	1	Special Nut, 3/8"-16
35	GA5108	-	Sprocket, 23 Tooth, (Vacuum)
	GA6514	-	Sprocket, 46 Tooth, (Twin Row only)

ITEM	PART NO.	QTY.	DESCRIPTION
36	G10460	1	Cotter Pin, ¼" x 2"
37	GA7841	1	Bearing, ⅞" Hex Bore, Spherical
38	G3400-01	2	Flangette
39	GD5830	1	Angle Support, R.H.
40	G10017	2	Hex Head Cap Screw, ½"-13 x 1½"
	G10228	2	Lock Washer, ½"
	G10102	2	Hex Nut, ½"-13
41	GD9047	1	Spacer
42	GD16302	-	Reverser Plate
43	GB0259	-	Spacer, 1"
44	G11100	1	Hex Socket Button Head Cap Screw, ¼"-20 x ½", Grade 8
	G10227	1	Lock Washer, ¼"
	G11453	1	Fender Washer, ¼"
45	G11078	1	Vinyl Cap
46	G10038	1	Hex Head Cap Screw, ½"-13 x 3"
	G10128	-	Machine Bushing, ½", 14 Gauge (As Required)
	G10228	1	Lock Washer, ½"
	G10102	1	Hex Nut, ½"-13
47	G10527	1	Lock Washer, ½" Internal/External
A	G1K378	1	Wrap Spring Wrench Replacement Kit, Gold Collar, R.H. (Items 1, 4, 15, 16, 23, 24, 27, 44, And 45)

(PNE01/MTR27a/ELC27b/MTR45/MTR27t)

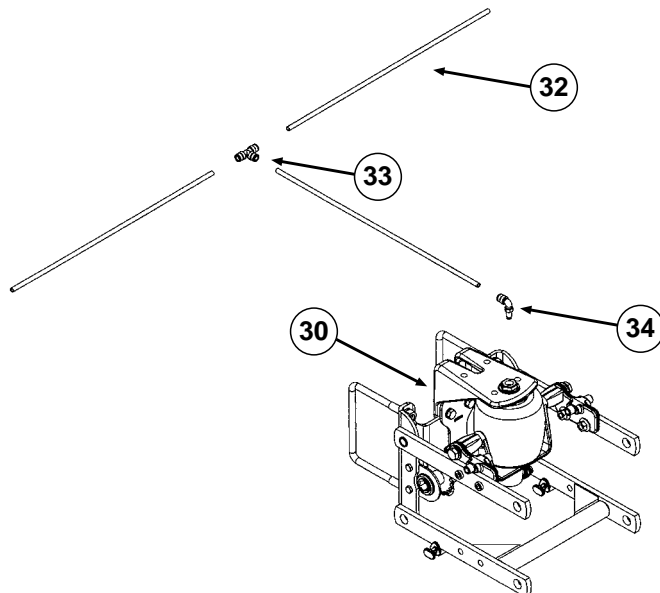
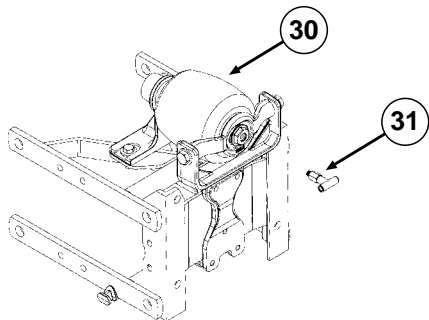
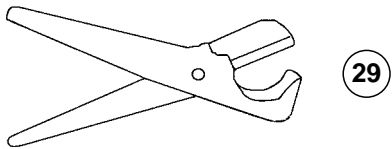
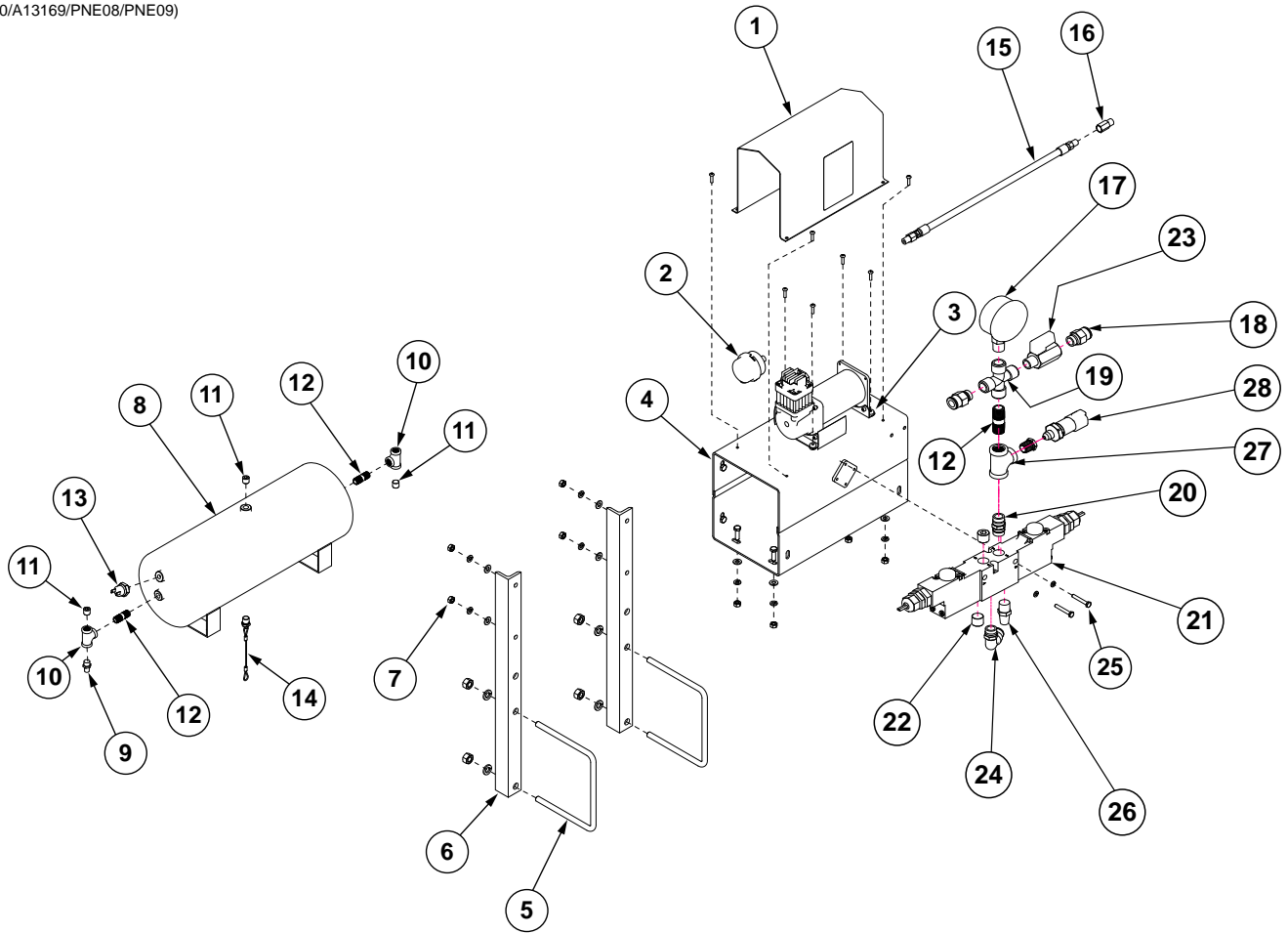


For Blue Drive Harnesses, [See "Blue Drive Interconnect" on page P220](#)



ITEM	PART NO.	QTY.	DESCRIPTION
1	GA17547	2	Power Lead Adapter
2	GA12813	1	Control Console Assembly
3	GA14846	1	Sending Unit
4	GA13944	1	Wiring Harness W/Fuse Holder And Fuse, 206" (Ground Contact Drive)
	GD14258	-	Fuse Holder (Included W/GA12645)
	GD14660	-	Fuse, 2 Amp Delay Action (Included W/GA12645)
5	G1K268	-	Console Cable Connector Kit, Includes: (1) 3-Pin Connector, (1) Cable Clamp, (1) Lock Ring, (3) Female Terminal Pins
6	---	-	---
7	GA9963	1	Strain Relief
8	GD18010	1	Tee, 3/8" Tube Union
9	GR1363	1	Hex Face Nut, 1 5/32"-32
10	GA6978	1	Switch, 3 Position Toggle, ON-OFF-ON
11	G1K248	-	3-Pin Female Connector Kit (Black), Includes: (3) 3-Pin Female Housings, (9) Pin Contacts, (9) Seals
12	G1K252	-	3-Pin Male Connector Kit (Black), Includes: (3) 3-Pin Male Housings, (9) Socket Contacts, (9) Seals
13	GA8328	-	4-Pin Female Connector Kit, Includes: (1) 4-Pin Female Housing, (4) Pin Contacts, (4) Seals
14	GA8329	-	4-Pin Male Connector Kit, Includes: (1) 4-Pin Male Housing, (4) Socket Contacts, (4) Seals
15	G1K396	-	6-Pin Female Connector Kit (Black), Includes: (3) 6-Pin Female Housings, (18) Pin Contacts, (18) Seals
16	G1K395	-	6-Pin Male Connector Kit (Black), Includes: (3) 6-Pin Male Housings, (18) Socket Contacts, (18) Seals
17	G1K321	-	2-Pin Female Connector Kit (Black), Includes: (3) 2-Pin Female Housings, (6) Pin Contacts, (6) Seals
18	G1K320	-	2-Pin Male Connector Kit (Black), Includes: (3) 2-Pin Male Housings, (6) Socket Contacts, (6) Seals
19	GA9964	2	Strain Relief
20	GA16391	1	Compressor Harness, 40'
21	GA12812	1	Hall Effect Adapter
22	---	-	<a href="#">See "Pneumatic Down Pressure Air Compressor. Dual Solenoid Assembly. Tubing, and Fittings" on page P150</a>
23	GD17151-06	1	Nylon Tubing, 1/4" O. D. x 1 1/2"
24	GD18796	1	Reducer, 3/8" To 1/4"
25	---	-	<a href="#">See "KPM III Electronic Seed Monitor" on page P204</a>
26	GA12858	1	Wiring Harness, 60'

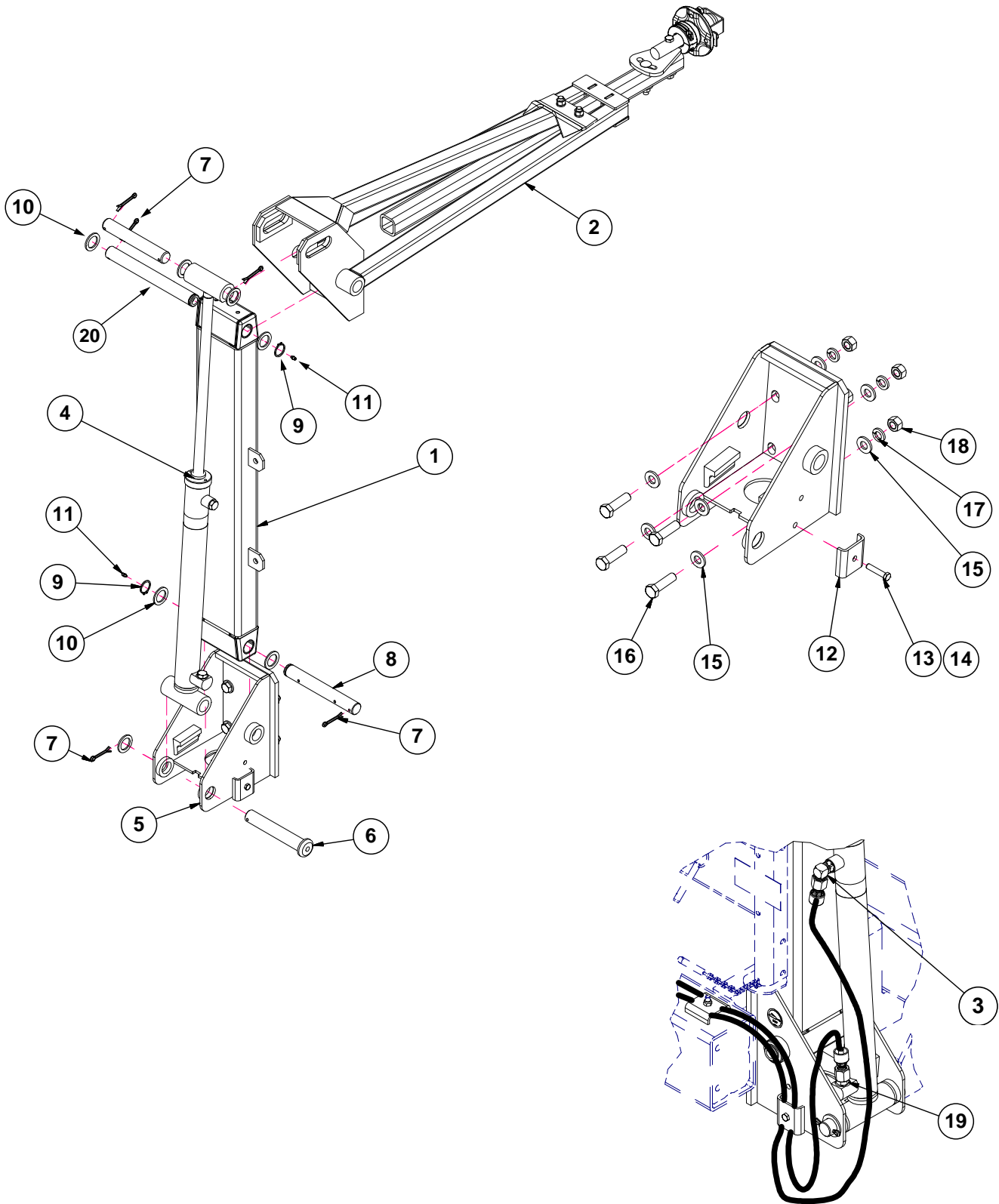
(IP1280/A13169/PNE08/PNE09)



ITEM	PART NO.	QTY.	DESCRIPTION
1	GD18112	1	Cover
	G11066	8	Phillips Pan Head Machine Screw, No. 10-24 x ¾", Stainless Steel
	G10992	8	Serrated Flange Nut, No. 10-24
	G10371801	2	Tank Drain Decal
2	GA14127	1	Filter Assembly
	GR1943	1	Filter (Included W/GA14127)
3	GA22273	1	Air Compressor
	G11066	4	Phillips Pan Head Machine Screw, No. 10-24 x ¾", Stainless Steel
	G10992	4	Serrated Flange Nut, No. 10-24
4	GA12358	1	Mount
	G10019	4	Hex Head Cap Screw, 5/16"-18 x 1"
	G10232	4	Lock Washer, 5/16"
	G11386	4	Flat Washer, 5/16" SAE
	G10106	4	Hex Nut, 5/16"-18
5	GD11721	2	U-Bolt, 5" x 7" x ½"-13
	G10228	4	Lock Washer, ½"
	G10102	4	Hex Nut, ½"-13
6	GD18119	2	Compressor Mount
7	G10106	4	Hex Nut, 5/16"-18
	G10232	4	Lock Washer, 5/16"
	G11386	4	Flat Washer, 5/16" SAE
	G10019	4	Hex Head Cap Screw, 5/16"-18 x 1"
8	GA11988	1	Tank, 3 Gallon
9	GA13512	1	Valve Stem, ¼" NPT
10	GD19237	2	Tee, ¼" NPT
11	GD17156	3	Plug, ¼" NPT
12	GD19238	2-3	Nipple, ¼" NPT <b>(Blue Drive Only in the Solenoid Assembly (Items 17-28))</b>
13	GR1778	1	Pressure Switch
14	GA11991	1	Drain, ¼" NPT
15	GR1951	1	Leader Hose without Check Valve
16	GR1921	1	Check Valve
17	GA12104	1	Pressure Gauge
18	GD17141	2	Connector, ¼" Male
19	GD18078	1	Female Cross, ¼" NPT
20	GD17154	1	Connector, ¼" Male
21	GA22793	1	Dual Solenoid Assembly
22	GD17156	2	Plug, ¼" NPT
23	GA11992	1	Shutoff Valve, ¼" NPT
24	GD17143	1	Swivel Elbow, ¼" NPT x ¾"
25	G10040	2	Hex Head Cap Screw, ¼"-20 x 1¾"
	G10227	2	Lock Washer, ¼"
26	GA11997	1	Breather, ¼" NPT
27	GD19237	1	Tee, Galvanized, 1/4" NPT x NPT <b>(Blue Drive Only)</b>
28	GA14804	1	Pressure Sensor (0-120 PSI) <b>(Blue Drive Only)</b>
	GD18041	1	Bushing, Hex, 1/4" Male NPT x 1/8" Female NPT <b>(Blue Drive Only)</b>
29	GA13169	1	Tube Cutter W/Blade
	GR1843	-	Blade
30	---	-	<a href="#">See "Parallel Arms, Mounting Support Plate, and Quick Adjustable Down Force Springs Option" on page P5</a>
31	GD18274	-	Tee, 3/8" x 1/8" NPT Extended, Push Row Unit
32	GD17150-02	-	Nylon Tubing, 3/8" O.D. x 44', 8 Row Pull Row Units
	GD17150-10	-	Nylon Tubing, 3/8" O.D. x 40', 7 Row Push Row Units
	GD17150-12	-	Nylon Tubing, 3/8" O.D. x 5', Even-Row Push Row Unit
33	GD18010	-	Tee, 3/8" Tube Union
34	GD18011	-	Elbow, 3/8" x 1/8" NPT Extended
35	GR2233	-	Vibration Isolator Gromet, 4 Pack
A	GA12626	1	Air Compressor Assembly (Items 1-4, 8-14)
B	GA22793	-	Valve Seal Kit

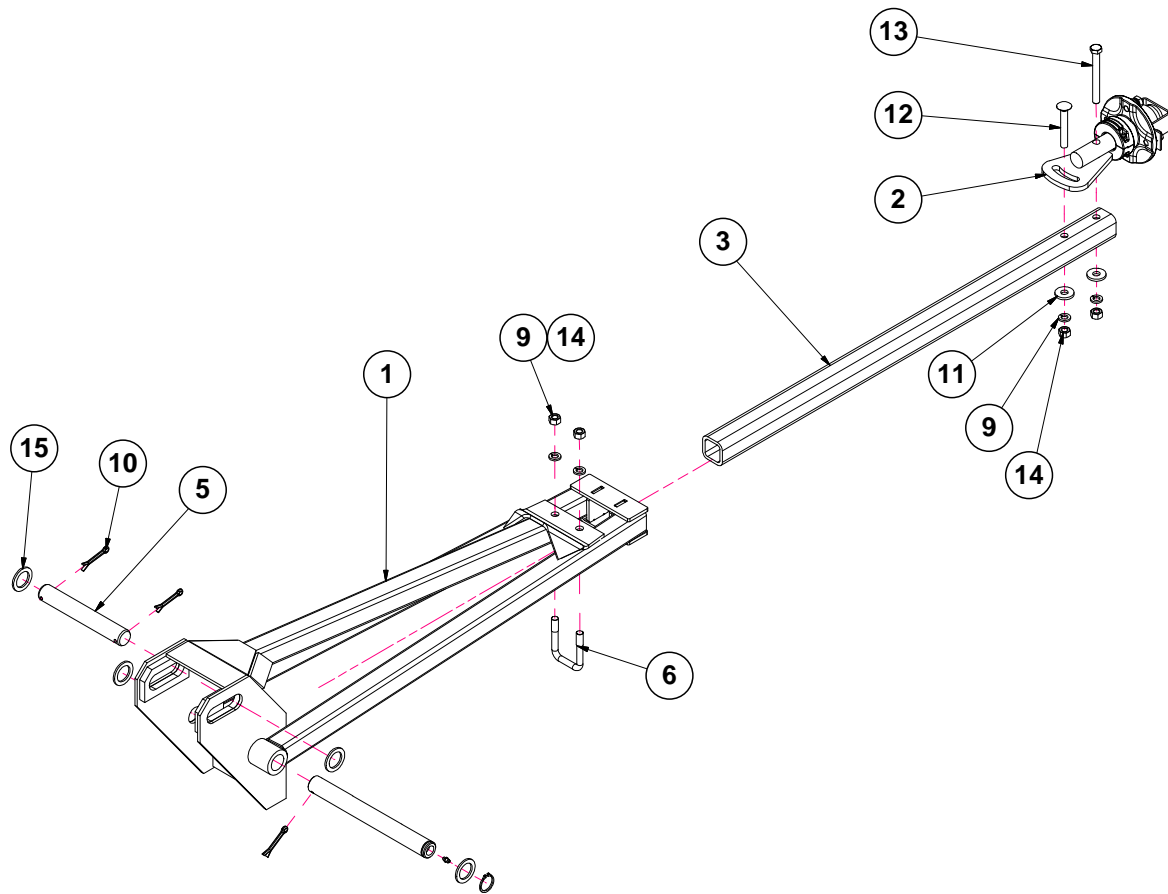


(A25727)



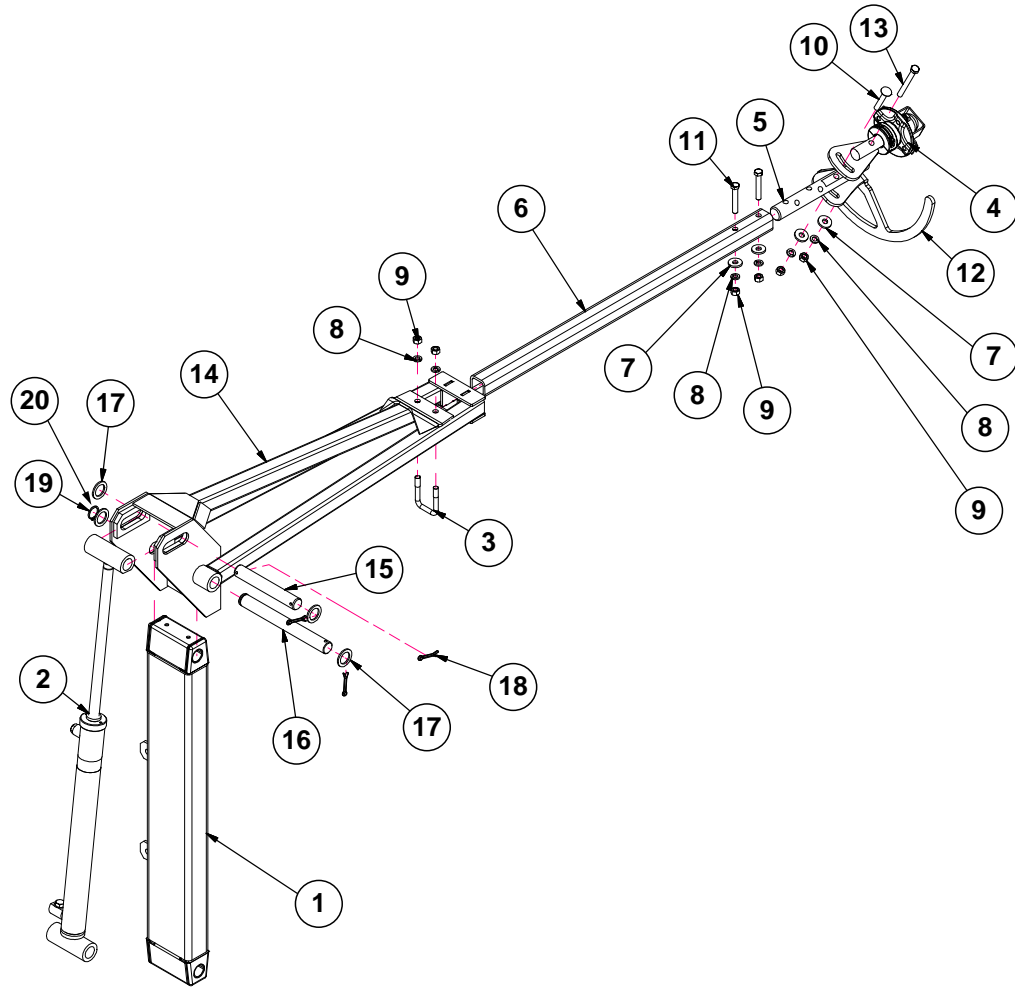
ITEM	PART NO.	QTY. (Per Marker)	DESCRIPTION
1	GA26527	1	1st Stage Marker, R.H.
	GA26528	-	1st Stage Marker, L.H.
	GD11751	4	Bushing
2	---	-	<a href="#">See "Row Marker Spindle/Hub/Blade" on page P158</a>
3	G6801-08	2	Elbow W/O-Ring, 90°, 3/4"-16 Male JIC To O-Ring
4	---	-	<a href="#">See "Row Marker Cylinder" on page P166</a>
5	GA6859	1	Marker Mount
6	GD15386	1	Pin, 1 1/4" x 7 5/8"
7	G10460	3	Cotter Pin, 1/4" x 2"
8	GD21143	1	Marker Pin, 1 1/4" x 9 1/2"
9	G11400	2	Retaining Ring, 1 1/4"
10	G10159	5	Washer, 1 7/8", 10 Gauge (.1345")
11	G10640	2	Grease Fitting, 1/4"-28
12	GD5875	1	Hose Clamp, 9/16" x 2 1/2" x 2"
13	G10047	1	Hex Head Cap Screw, 3/8"-16 x 1 3/4"
14	G10108	1	Lock Nut, 3/8"-16
15	G11391	8	Flat Washer, 5/8" SAE
16	G10006	4	Hex Head Cap Screw, 5/8"-11 x 2 1/4"
17	G10230	4	Lock Washer, 5/8"
18	G10104	4	Hex Nut, 5/8"-11
19	G6400-08	2	Adapter, 3/4-16 JIC, 3/4-16 O-Ring
20	GD21142	1	Marker Pin, 1 1/4" x 13/16"

(A26522)



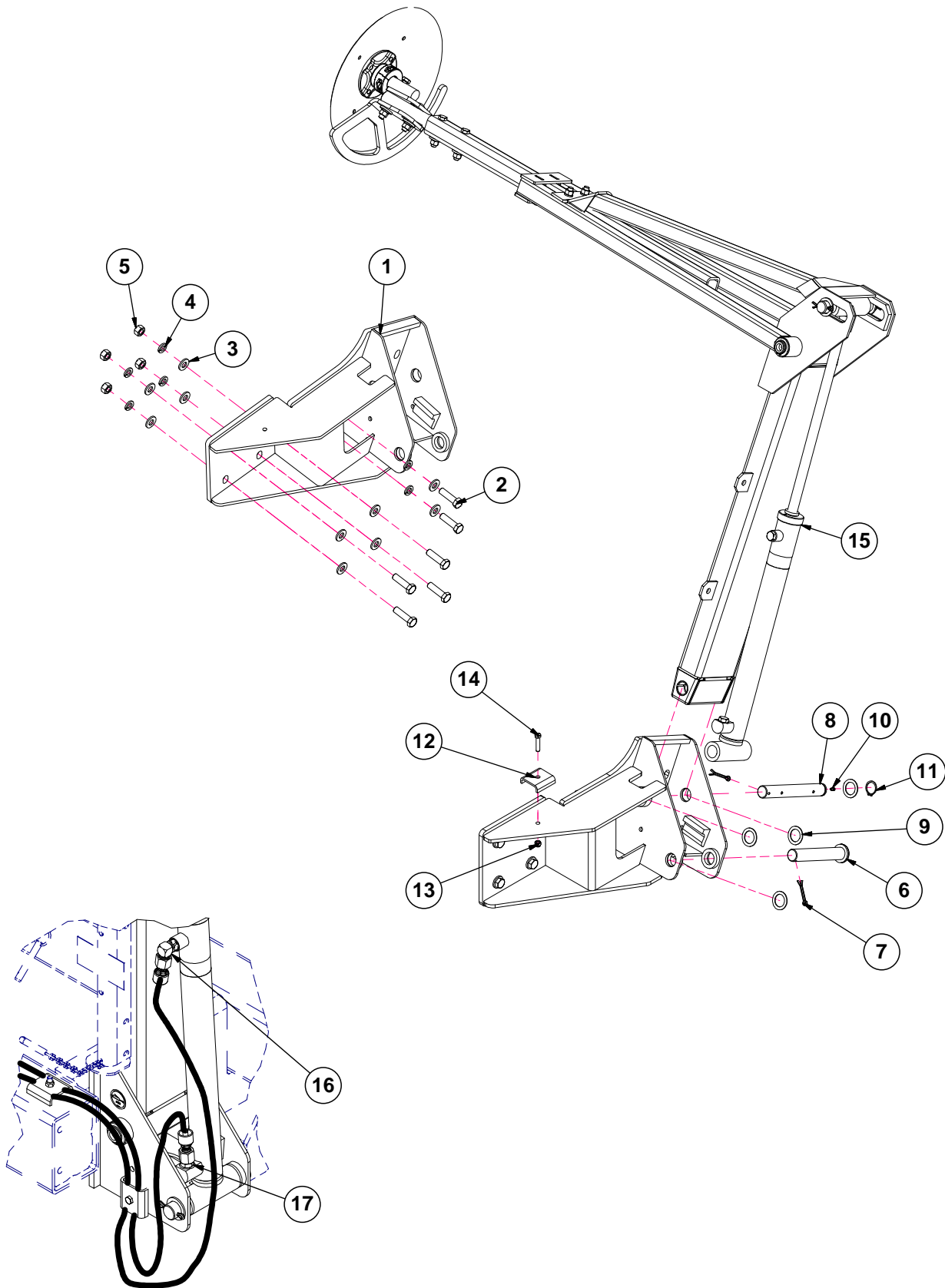
ITEM	PART NO.	QTY. (Per Marker)	DESCRIPTION
1	GA25919	1	2nd Stage Marker Arm
2	---	-	<a href="#">See "Row Marker Spindle/Hub/Blade" on page P158</a>
3	D0453-02	1	Extension Tube, 40" (101,6 cm)
-	---	-	---
5	GD2161	1	Pin, 1 1/4" x 8 1/4"
6	GD2721	1	U-Bolt, 2" x 2" x 1/2"-13
-	---	-	---
-	---	-	---
9	G10228	4	Lock Washer, 1/2"
10	G10460	2	Cotter Pin, 1/4" x 2"
11	G10168	2	Machine Bushing, 1/2", 7 Gauge (.1793")
12	G10844	1	Carriage Bolt, 1/2"-13 x 3 1/2"
13	G10045	1	Hex Head Cap Screw, 1/2"-13 x 4 1/2"
14	G10102	4	Hex Nut, 1/2"-13
15	G10159	2	Washer, 1 7/8", 10 Gauge (.1345")

(A25731)



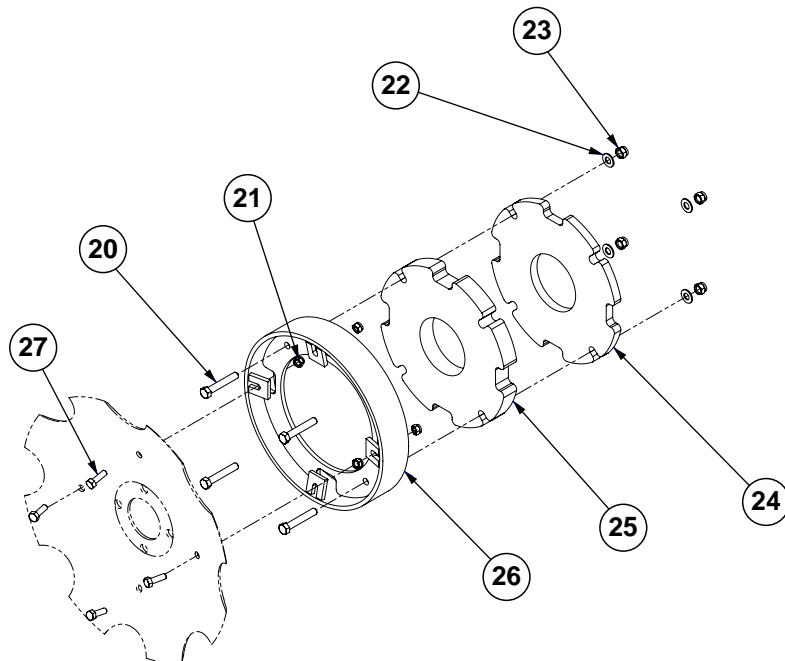
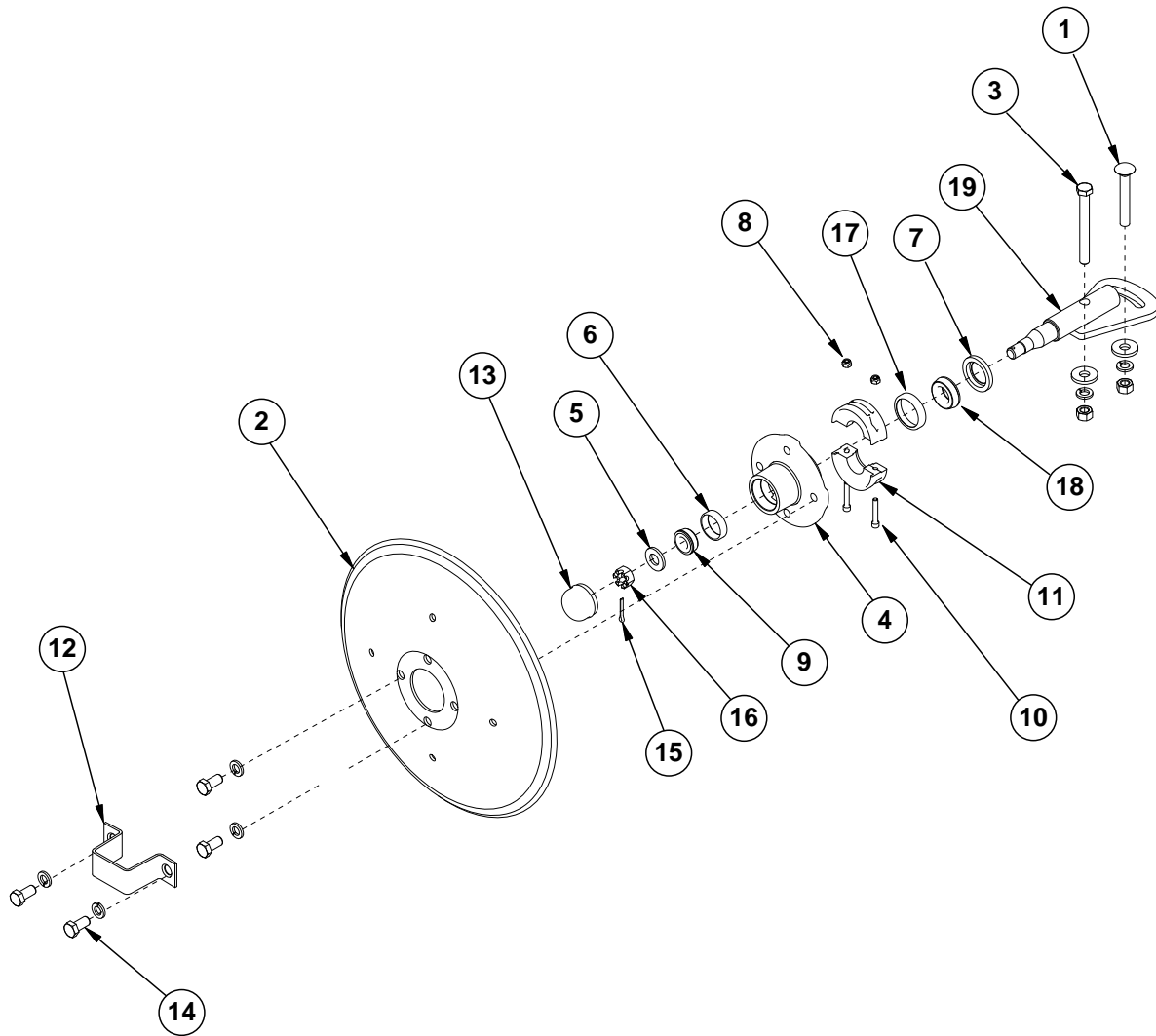
ITEM	PART NO.	QTY. (Per Marker)	DESCRIPTION
1	GA26528 GA26527	1 -	1st Stage Marker, L.H. 1st Stage Marker, R.H.
2	---	-	<a href="#">See "Row Marker Cylinder" on page P166</a>
3	GD2721	1	U-Bolt, 2" x 2" x 1/2"-13
4	---	-	<a href="#">See "Row Marker Spindle/Hub/Blade" on page P158</a>
5	GD34287	1	Marker Mount
6	GD0453-02	1	Extension Tube, 40"
7	G10168	4	Machine Bushing, 1/2", 7 Gauge (.1793")
8	G10228	6	Lock Washer, 1/2"
9	G10102	6	Hex Nut, 1/2"-13
10	G10314	1	Carriage Bolt, 5/16"-18 x 3/4"
11	G10038	2	Hex Head Cap Screw, 1/2"-13 x 3"
12	GD34763	1	Bump Plate Guard
13	G10045	1	Hex Head Cap Screw, 1/2"-13 x 4 1/2"
14	GA25919	1	2nd Stage Marker Arm
15	GD2161	1	Pin, 1 1/4" x 8 1/4"
16	GD21142	1	Marker Pin, 1 1/4" x 13/16"
17	G10159	4	Washer, 1 7/8", 10 Gauge (.1345")
18	G10460	3	Cotter Pin, 1/4" x 2"
19	G11400	1	Retaining Ring, 1 1/4"
20	G10640	1	Grease Fitting, 1/4"-28

(A25729)



ITEM	PART NO.	QTY. (Per Marker)	DESCRIPTION
1	GA24513	1	Marker Mount
2	G10006	6	Hex Head Cap Screw, 5/8"-11 x 2 1/4"
3	G11391	10	Flat Washer, 5/8" SAE
4	G10230	6	Lock Washer, 5/8"
5	G10104	4	Hex Nut, 5/8"-11
6	GD15386	1	Pin, 1 1/4" x 7 5/8"
7	G10460	2	Cotter Pin, 1/4" x 2"
8	GD21143	1	Marker Pin, 1 1/4" x 9 1/2"
9	G11334	4	Washer, 1 1/8", 14 Gauge (.0747")
10	G10640	1	Grease Fitting, 1/4"-28
11	G11400	1	Retaining Ring, 1 1/4"
12	GD5875	1	Hose Clamp, 9/16" x 2 1/2" x 2"
13	G10108	1	Lock Nut, 3/8"-16
14	G10047	1	Hex Head Cap Screw, 3/8"-16 x 1 3/4"
15	---	-	<a href="#">See "2nd Stage Marker Assembly (Bulk Fill)" on page P155</a>
16	G6801-08	2	Elbow W/O-Ring, 90°, 3/4"-16 Male JIC To O-Ring
17	G6400-08	2	Adapter, 3/4-16 JIC, 3/4-16 O-Ring

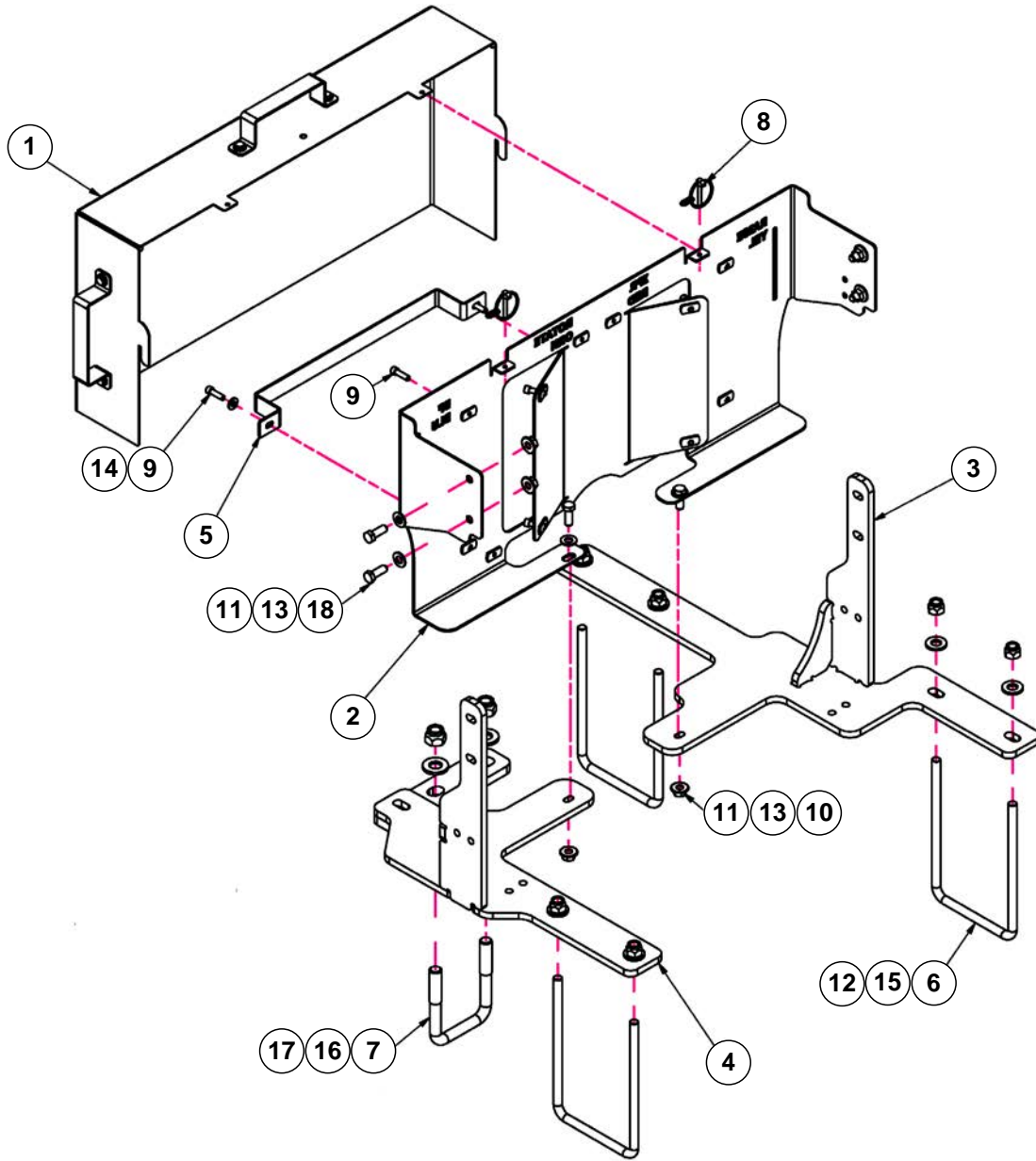
IP1035aa



ITEM	PART NO.	QTY. (Per Assy.)	DESCRIPTION
1	G10844	1	Carriage Bolt, 1/2"-13 x 3 1/2"
	G10168	2	Machine Bushing, 1/2", 7 Gauge
	G10228	2	Lock Washer, 1/2"
	G10102	2	Hex Nut, 1/2"-13
2	GD0746	1	Disc Blade, Smooth, 16" (Shown)
	GD10283	-	Disc Blade, Notched, 16" (Optional)
3	G10045	1	Hex Head Cap Screw, 1/2"-13 x 4 1/2"
	G10168	2	Machine Bushing, 1/2", 7 Gauge
	G10228	2	Lock Washer, 1/2"
	G10102	2	Hex Nut, 1/2"-13
4	GA26876	1	Hub W/Cups, 4 Bolt (Includes Items 6 and 17)
5	G11391	1	Flat Washer, 5/8" SAE
6	GR0151	1	Outer Cup
7	GD21540	1	Grease Seal (Included W/ Item 4)
8	G10110	2	Lock Nut, 1/4"-20, Grade B
9	GA0257	1	Bearing (Included W/ Item 4)
10	G11418	2	Hex Socket Head Cap Screw, 1/4" x 1 1/2"
11	GB0554	2	Hub Shield
12	GD2597	1	Retainer
13	GD0840	1	Dust Cap
14	G10722	4	Hex Head Cap Screw, 1/2"-20 x 1"
	G10228	4	Lock Washer, 1/2"
15	G10544	1	Cotter Pin, 5/32" x 1"
16	G10725	1	Slotted Hex Nut, 5/8"-18
17	GR0150	1	Inner Cup
18	GA0245	1	Bearing (Included W/ Item 4)
19	GA15151	1	Spindle
20	G10939	4	Hex Head Cap Screw, 3/8"-16 x 2 1/4"
21	G10109	4	Lock Nut, 5/16"-18, Grade 8
22	G11387	4	Hardened Washer, 3/8" SAE
23	G10108	4	Lock Nut, 3/8"-16
24	G10428601	1	Marker Weight, 1/2"
25	G10428701	1	Marker Weight, 1"
26	G10428401	1	Weighted Depth Band
27	G10019	4	Hex Head Cap Screw, 5/16"-18 x 1"
A	GA26909	-	Hub And Spindle Assembly, (Items 4-19)

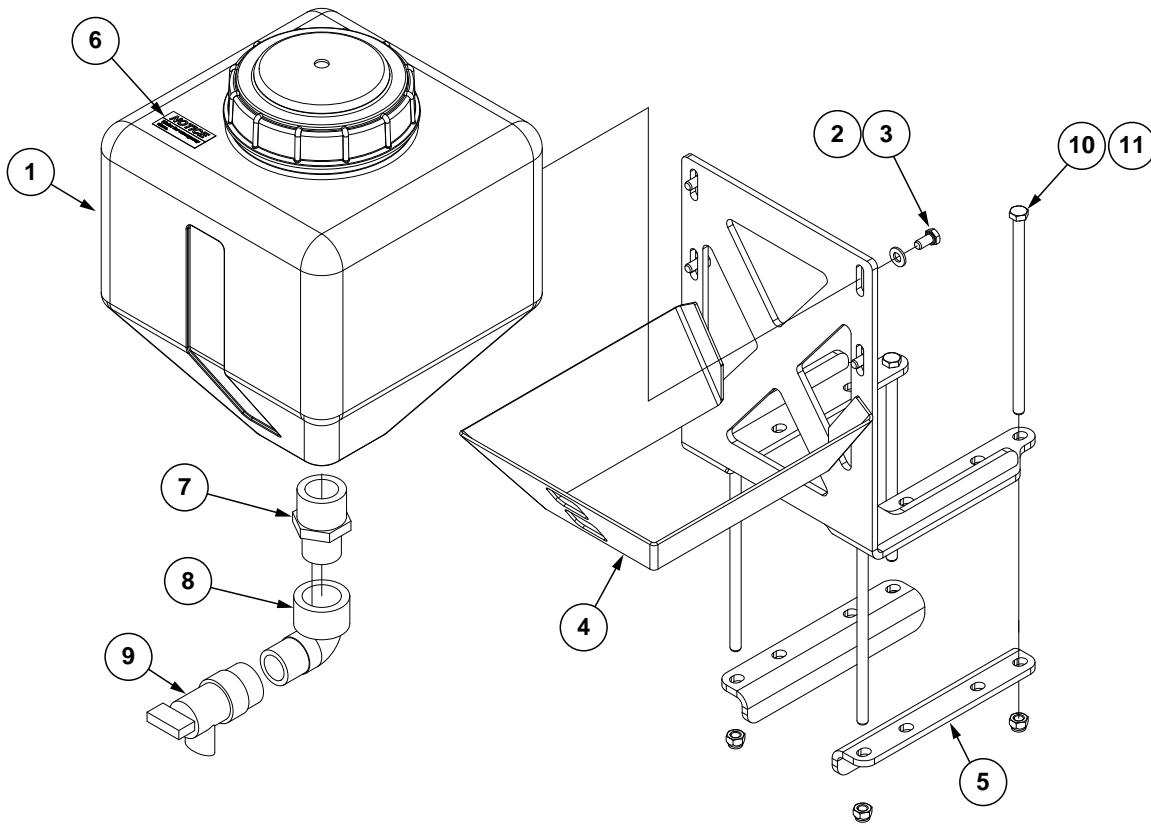


(100190)



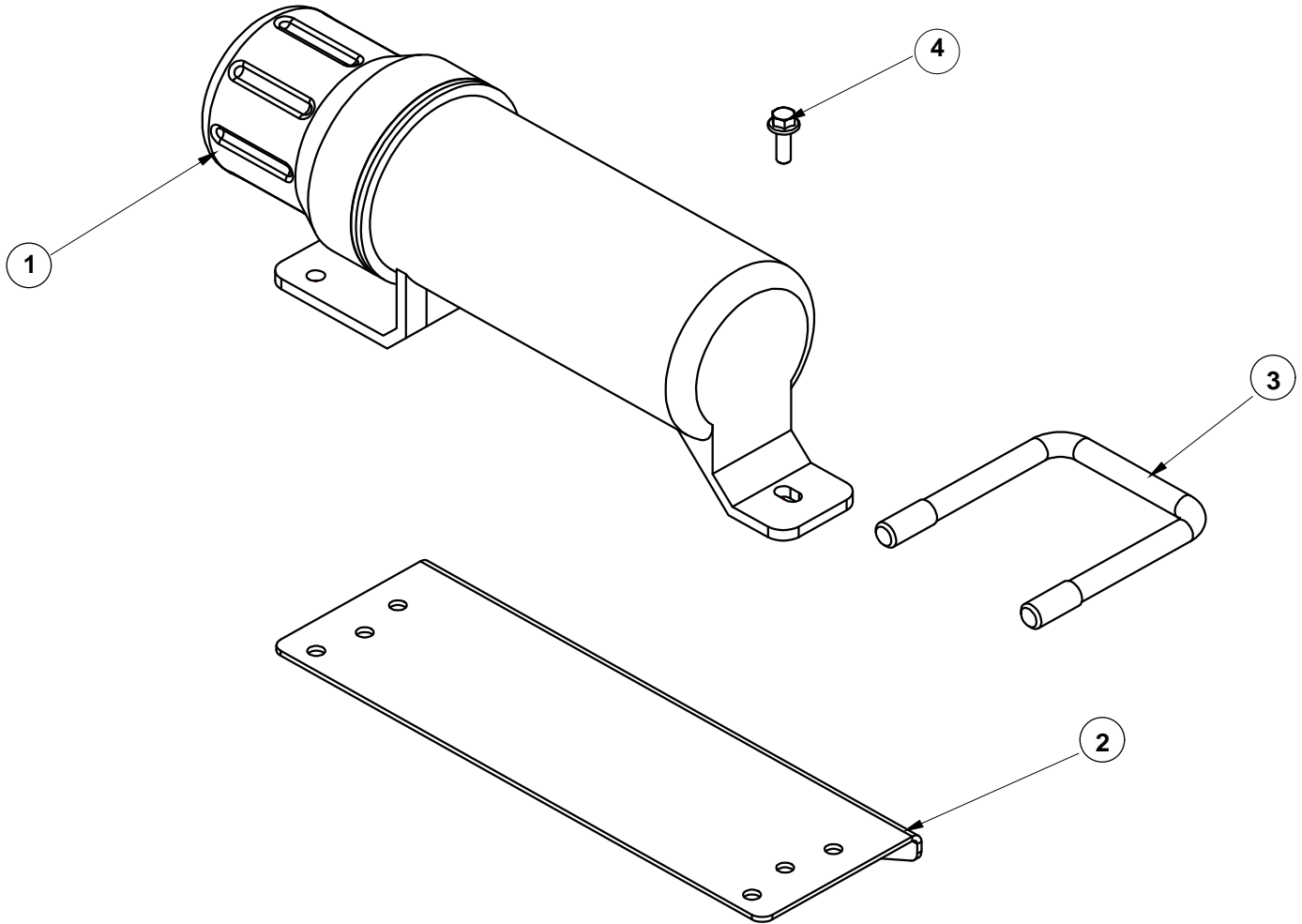
ITEM	PART NO.	QTY.	DESCRIPTION
1	GA26746	1	Module Cover Assembly
2	GA26742	1	Module Mount
3	G10062201	1	Mounting Bracket, R.H.
4	G10062101	1	Mounting Bracket, L.H.
5	GD36727	1	Module Harness Loop
6	GD8306	3	U-Bolt, 7" x 5" x 1/2"-13
7	GD14671	1	U-Bolt, 3" x 3" x 5/8"-11
8	G11339	2	Pin W/Chain
9	G10252	10	Hex Socket Head Cap Screw, 1/4"-20 x 7/8", Grade 8
10	G10001	2	Hex Head Cap Screw, 3/8"-16 x 1"
11	G11091	6	Serrated Flange Nut, 3/8"-16
12	G10111	6	Lock Nut, 1/2"-13
13	G11387	6	Flat Washer, 3/8" SAE
14	G11385	2	Flat Washer, 1/4" SAE
15	G11389	6	Flat Washer, 1/2" Plated SAE
16	G11391	2	Flat Washer, 5/8" SAE
17	G10107	2	Lock Nut, 5/8"-11
18	G10004	4	Hex Head Cap Screw, 3/8"-16 x 1 1/4"

(A21003)



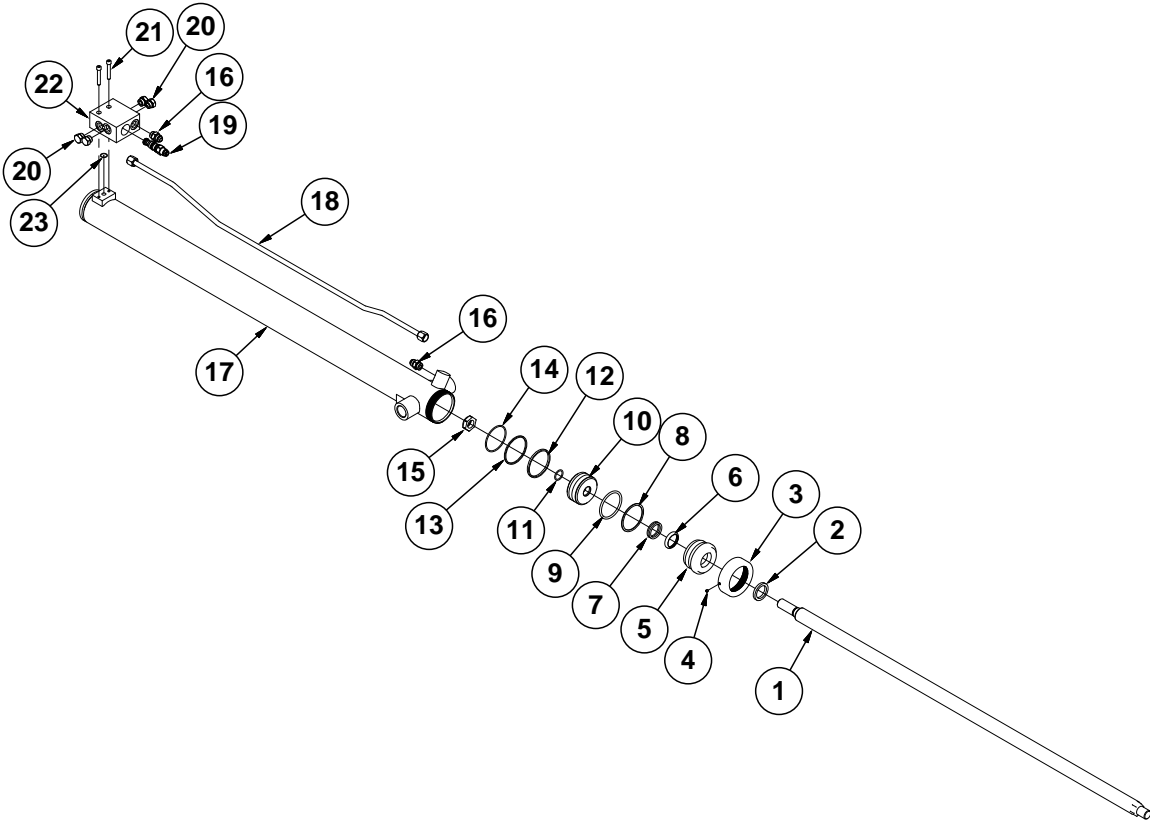
ITEM	PART NO.	QTY.	DESCRIPTION
1	GD30723	1	4 Gallon Water Tank W/Lid
2	G11386	4	Flat Washer, $\frac{5}{16}$ " SAE
3	G10018	4	Hex Head Cap Screw, $\frac{5}{16}$ "-18 x $\frac{5}{8}$ "
4	GA24449	1	Water Tank Mount
5	GD30221	2	Water Tank Mount Brackets
6	G10383201	1	Decal, Notice
7	G10727	1	Reducing Nipple, 1-1/4" x 1"
8	G11742	1	1" NPT 90° Elbow
9	GD30722	1	1" NPTF Flush Valve
10	G10686	4	Hex Head Cap Screw, $\frac{3}{8}$ "-16 x 8"
11	G10108	4	Lock Nut, $\frac{3}{8}$ "-16

(A25890)



ITEM	PART NO.	QTY.	DESCRIPTION
1	GA15422	1	Operator's Manual Canister
2	GD22686	1	Manual Canister Bracket
3	GD4743	1	U-Bolt, 3" x 3" x 1/2"-13
	G10071	2	Serrated Flange Nut, 1/2"-13
4	G11166	3	Hex Socket Flange Cap Screw, 1/4"-20 x 3/4"
	G11320	3	Lock Nut, 1/4"-20, Grade B

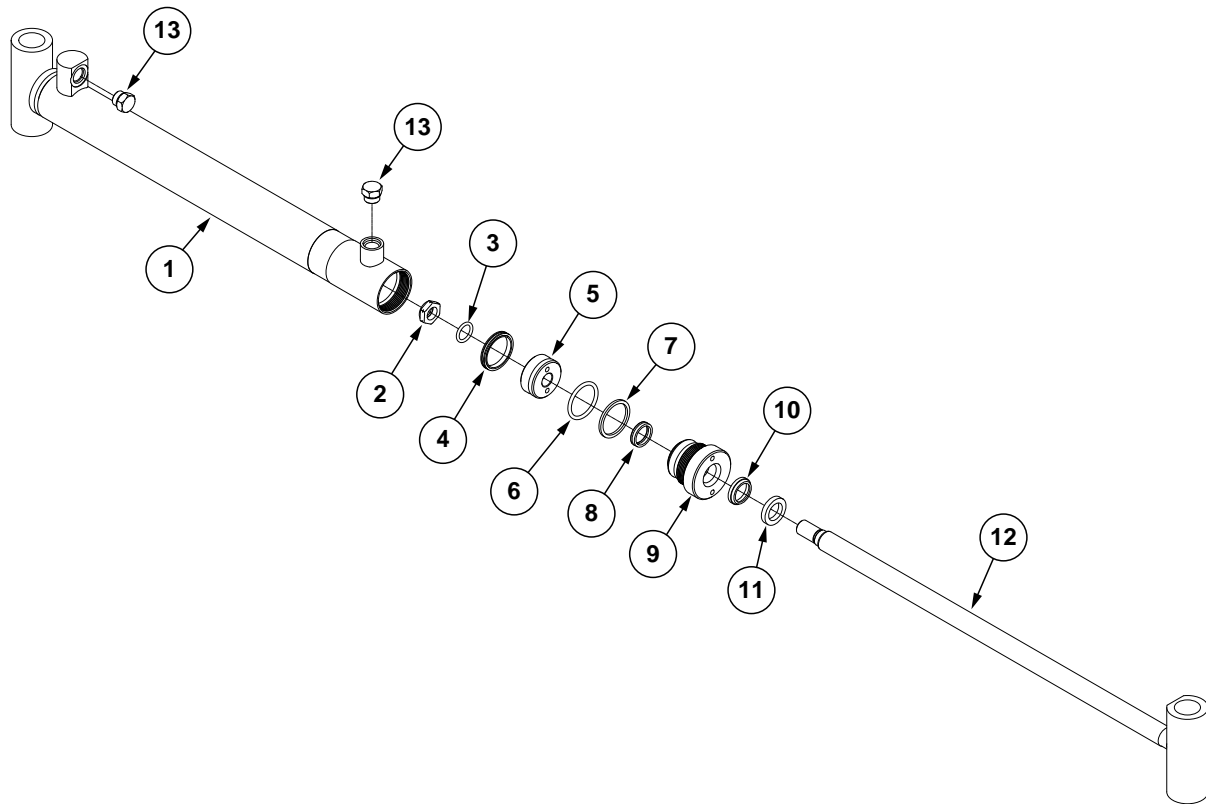
(IP1551)



ITEM	PART NO.	QTY. (Per Cylinder)	DESCRIPTION
1	GD30631	1	Cylinder Rod, 1½"
2	GD12103	1	Ring
3	GD13303	1	Cap
4	G10907	1	Set Screw, ¼"-20 x ¼"
5	GD13302	1	Gland
6	GD12206	1	Wiper, 1½"
7	*D12252	1	U-Cup
8	*D12228	1	Back-Up Ring
9	*D12227	1	O-Ring, No. 336
10	GD30697	1	Piston
11	*D29649	1	O-Ring, No. 215
12	*D12110	2	Cast Iron Piston Ring
13	*D12257	1	Energizer Seal
14	*D12108	1	Piston Seal
15	GD27235	1	Nylon Lock Nut, 1"-14, Grade 8
16	G6400-08 GR1037	2	Connector W/O-Ring, ¾"-16 Male JIC To O-Ring O-Ring
17	GA24695	1	Barrel
18	GA8888	1	Steel Hydraulic Line, 43 <sup>1</sup> / <sub>16</sub> "
19	GA8882	1	Counter Balance Valve
20	G6408-08 GR1037	4 -	Plug W/O-Ring, ¾"-16 O-Ring O-Ring
21	G10932	2	Hex Socket Head Cap Screw, 5/16"-18 x 2", Grade 8
22	GD11579	1	Manifold Block
23	GD12239	1	O-Ring, No. 016
A	GA24694	-	Cylinder Complete, 3¼" x 48" (Part Numbered Stamped on Barrel)
B	GR2274	-	Seal Kit, Includes: (1) Wiper, (1) U-Cup, (3) O-Rings, (1) BU Ring, (1) T-Seal, (1) Cast Iron Piston Ring, (1) Piston Seal, and (1) Energizer Seal

\*Item is part of seal kit, item can not be purchased individually.

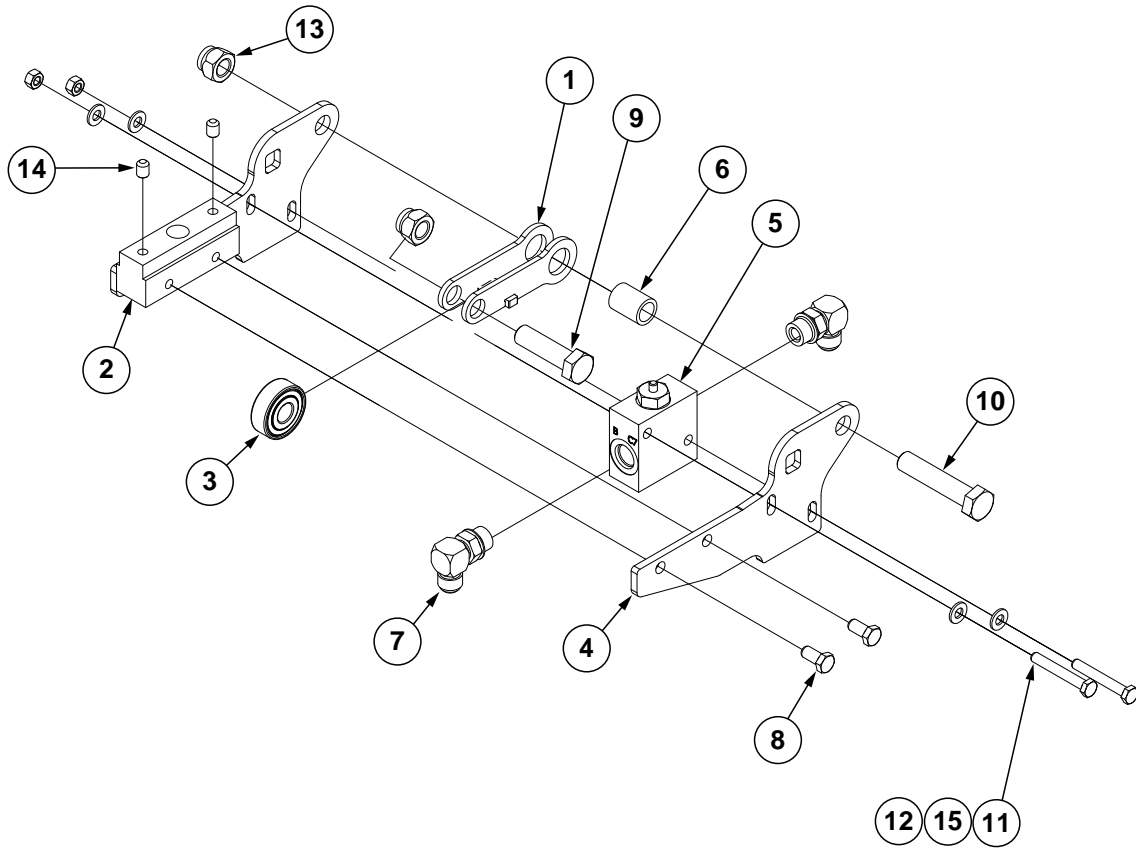
(IP1527)



ITEM	PART NO.	QTY.	DESCRIPTION
1	A9442	1	Barrel
2	GD27233	1	Nylon Lock Nut, 3/4"-16, Grade 8
3	*D29692	1	O-Ring, No. 211
4	*D12277	1	T-Seal
5	GD29689	1	Piston
6	*D12235	1	O-Ring, No. 326
7	*D12236	1	Back-Up Ring
8	*D12256	1	U-Cup
9	GD12510	1	Gland
10	*D12233	1	Wiper Rod
11	GD12101	1	Ring
12	GA21159	1	Rod
13	G6408-08	2	Plug W/O-Ring, 3/4"-16 O-Ring
	GR1037	-	O-Ring
A	GA21158	-	Cylinder Complete, 2" x 20 <sup>1</sup> / <sub>16</sub> " (Part Number Stamped On Barrel)
B	GR2229	-	Seal Kit, Includes: (1) Wiper, (2) U-Cup, (3) O-Rings, (1) BU Ring, (1) T-Seal, (1) Instruction Sheet

**\*Item is part of seal kit, item can not be purchased individually.**

(A24497)



ITEM	PART NO.	QTY.	DESCRIPTION
1	GA24495	1	Check Valve Mount
2	GA24496	1	Block Mount
3	GA2014	1	Bearing, 5/8"
4	GD34091	1	Side Mount Plate
5	GA24715	1	Plunger Valve
	GR1254	-	Valve
	GR1090	-	Check Valve Block
6	GD3180-05	1	Sleeve, 5/8" I.D. x 7/8" O.D. x 1 3/16" Long
7	G6801-08	2	Elbow W/O-Ring, 90°, 3/4"-16 Male JIC To O-Ring
	GR1037	-	O-Ring
8	G10002	2	Hex Head Cap Screw, 3/8"-16 x 3/4"
9	G10006	1	Hex Head Cap Screw, 5/8"-11 x 2 1/4"
10	G10010	1	Hex Head Cap Screw, 5/8"-11 x 3"
11	G10069	2	Hex Head Cap Screw, 5/16"-18 x 2 1/4"
12	G10106	2	Hex Nut, 5/16"-18
13	G10107	2	Lock Nut, 5/8"-11
14	G10120	2	Hex Socket Set Screw, 3/8"-16 x 1/2"
15	G11386	4	Flat Washer, 5/16" SAE

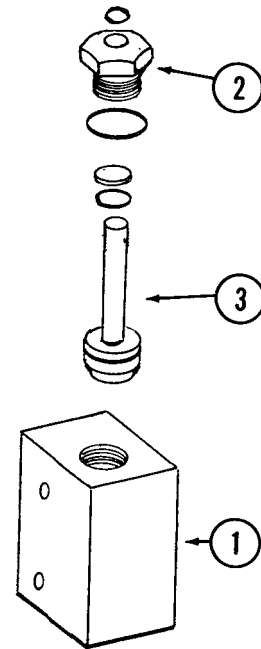


(TWL55)

ITEM	PART NO.		QTY.	DESCRIPTION
	Style A*	Style B*		
1	---	---	1	Block <b>(Non-Stock Item)</b>
2	GR1281	**	1	Adapter Plug
3	GR1282	GR2193	1	Piston Rod And Poppet Assembly
A	GA6884	GA6884	-	Stroke Limiter Valve Complete
B	GR1289	---	-	Seal Kit, Includes: (2) O-Rings, (1) BU Ring, (1) Seal
C	---	GR2194	-	Seal Kit, Includes: (2) O-Rings, (1) BU Ring, (1) Seal, (1) Adapter Plug

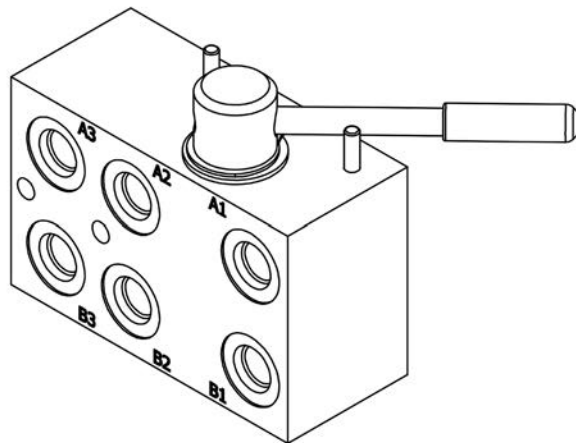
\*Style A and B are determined by block color. Style A block will be yellow/zinc in color and manufactured by Shoemaker Inc. Style B block will be black in color and manufactured by Delta Power Company.

\*\*Item is part of seal kit (GR2194), item can not be purchased individually



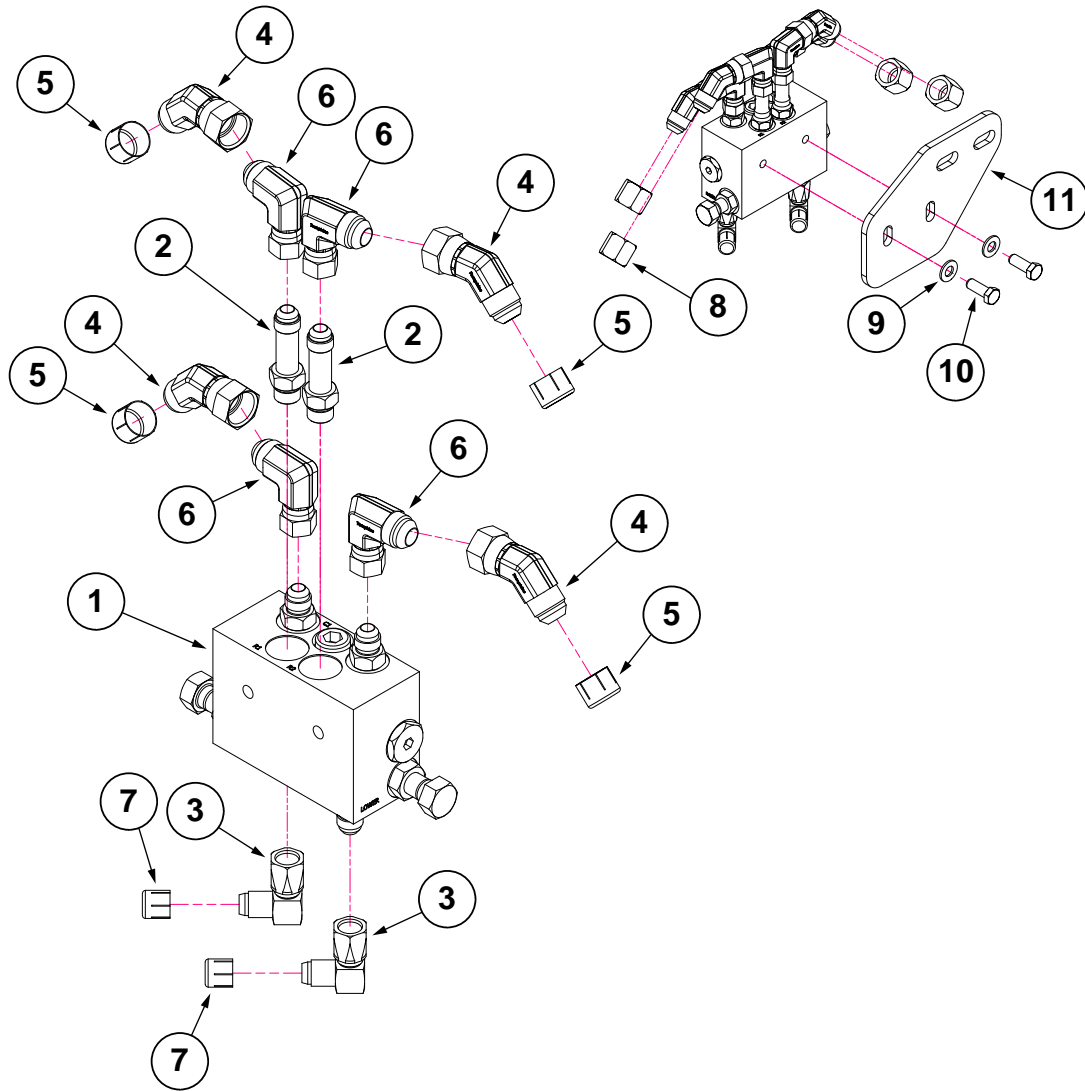
Selector Valve

(A24857)



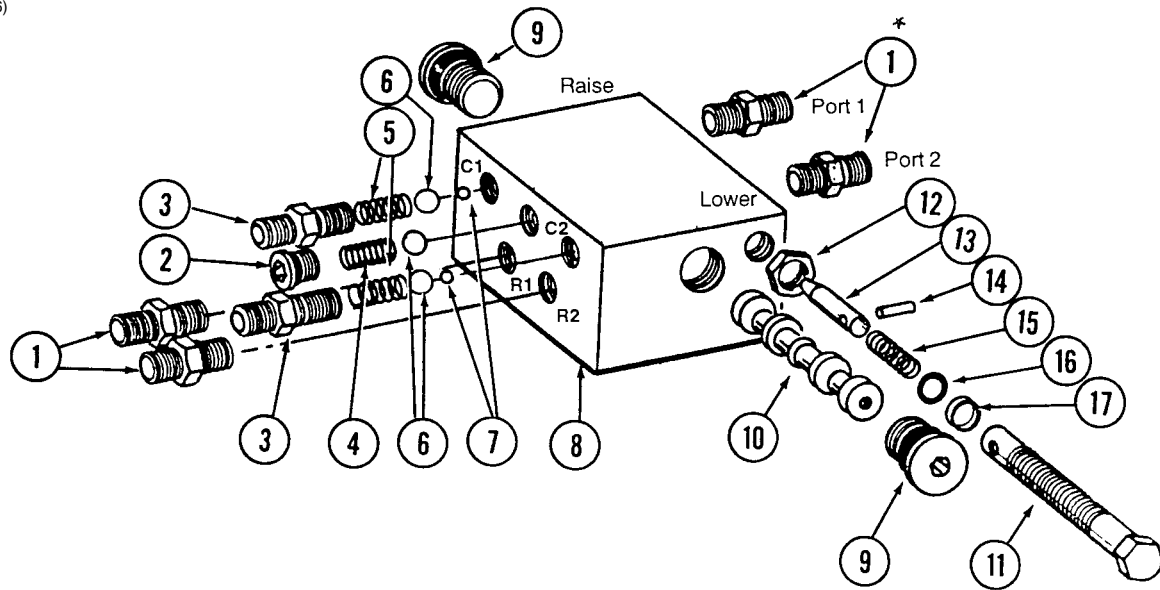
ITEM	PART NO.	QTY.	DESCRIPTION
1	GR2266	1	Seal Kit, Includes: (2) Retaining Rings, (2) O-Rings, (2) BU Rings
A	GA24857	-	Valve Assembly

(A24921)



ITEM	PART NO.	QTY.	DESCRIPTION
1	---	-	
2	G6400-L-06 GR1045	2 -	Long Connector W/O-Ring, 9/16"-18 Male JIC To O-Ring O-Ring
3	G6500-06	2	Swivel Elbow, 90°, 9/16"-18 Male JIC To Female
4	G6502-08	4	Swivel Elbow, 45°, 3/4"-16 Male JIC To Female
5	G10492	4	Thread Protector, 3/4"-16
6	G6500-08-06	4	Swivel Elbow, 90°, 3/4"-16 Male JIC To 9/16"-18 Female
7	G10491	2	Thread Protector, 9/16"-18
8	G304-C-8	4	Cap Nut, 3/4"-16
9	G11387	2	Flat Washer, 3/8" SAE
10	G10001	2	Hex Head Cap Screw, 3/8"-16 x 1"
11	GD36975	1	Mount Plate

(PT9a/TWL56)

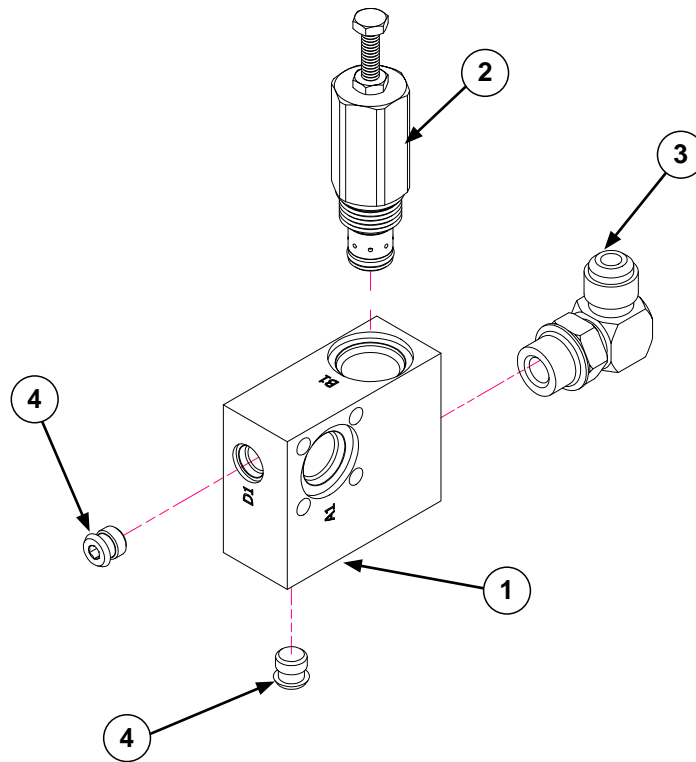


ITEM	PART NO.	QTY.	DESCRIPTION
1	G6400-06 GR1045	4 -	Connector W/O-Ring, 3/16"-18 Male JIC To O-Ring O-Ring
2	*R1034 GR1035	2 -	Hex Socket Plug W/O-Ring O-Ring
3	*R1032 GR1045	2 -	Port Adapter W/O-Ring O-Ring
4	*R1033	1	Detent Spring
5	*R1036	2	Spring
6	*R1044	3	3/16" Check Ball
7	*R1043	2	1/4" Steel Ball
8	---	1	Valve Body <b>(Non-Stock Item)</b>
9	*R1047 GR1037	2 -	Hex Socket Plug W/O-Ring O-Ring
10	---	-	Spool <b>(Non-Stock Item)</b>
11	**R1042	2	Adjustment Screw
12	**R1048	2	Hex Jam Nut, 1/2"-20
13	**R1038	2	Needle
14	**R1039	2	Spring Pin
15	**R1046	2	Compression Spring
16	**R1040	2	O-Ring
17	**R1041	2	Teflon BU Ring
A	GA5552	-	Valve Assembly Complete (Items 1-17)
B	GA20822	-	Flow Control Assembly Portion Only (Items 11-17)
C	GR2035	-	Detent Kit, Includes: (2) Hex Socket Plug W/O-Ring, (2) Port Adapter W/O-Ring, (1) Detent Spring, (2) Spring, (3) Check Ball, (2) Steel Ball

\*Item is part of detent kit (GR2035), item can not be purchased individually

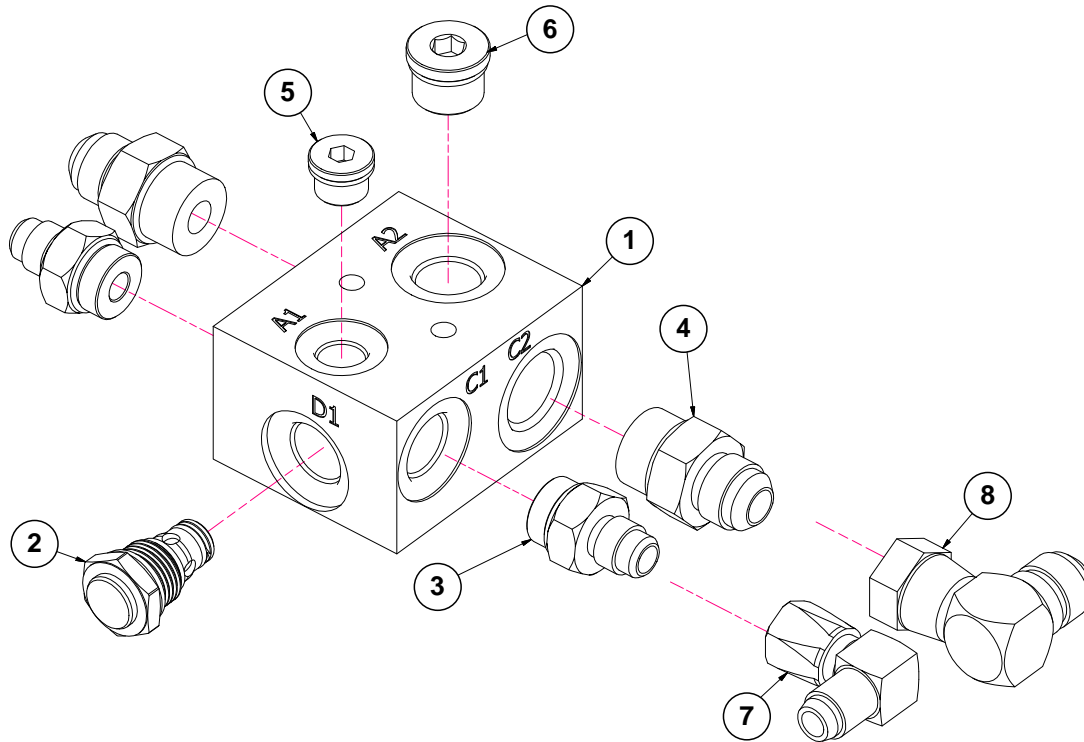
\*\*Item is part of seal kit (GA20822), item can not be purchased individually.

(101999)



ITEM	PART NO.	QTY.	DESCRIPTION
1	G10169701	1	Manifold Hydraulic Block
2	G10053801	1	Adjustable Flow Control Valve
3	G6801-08	1	Elbow W/O-Ring, 90°, 3/4"-16 Male JIC To O-Ring
4	GD29321	1	Plug

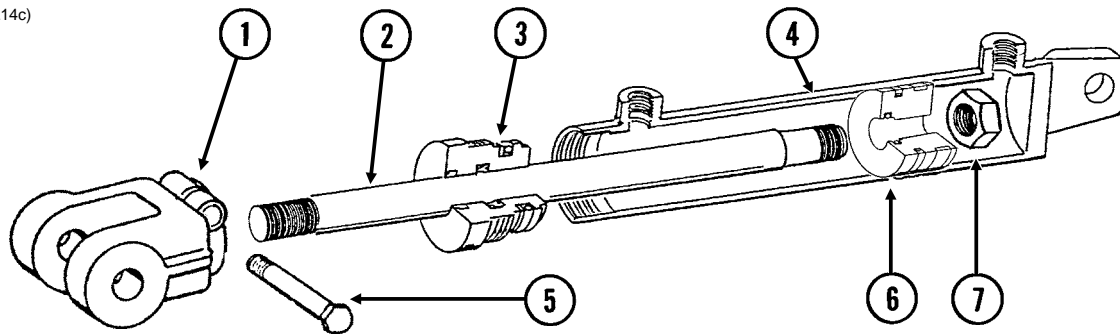
(A26398)



ITEM	PART NO.	QTY.	DESCRIPTION
1	GD33511	1	Valve Block
2	GA21067	1	Check Valve, No. 8
3	G6400-06-08 GR1037	2 -	Connector W/O-Ring, 1/16"-18 Male JIC To 3/4"-16 O-Ring O-Ring
4	G6400-08-10 GR1466	2 -	Connector W/O-Ring, 3/4"-16 Male JIC To 7/8"-14 O-Ring O-Ring
5	G6408-H06-O GR1045	1 -	Hex Socket Head Plug W/O-Ring, 1/16"-18 O-Ring O-Ring
6	G6408-H08-0	1	Hex Socket Head Plug W/O-Ring, 3/4"-16 O-Ring
7	G6500-06	1	Swivel Elbow, 90°, 9/16"-18 Male JIC To Female
8	G6500-08	1	Swivel Elbow, 90°, 3/4"-16 Male JIC To Female

**This page left blank intentionally.**

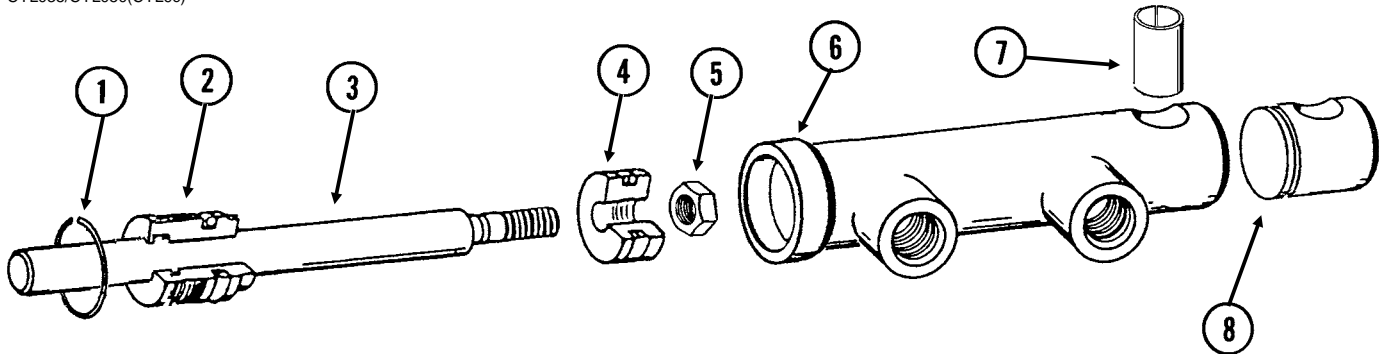
CYL032(CYL14c)



ITEM	PART NO.	QTY. (Per Cylinder)	DESCRIPTION
1	GD11950	1	Clevis
2	GD12501	1	Rod
3	GD11999	1	Gland
4	A6524	1	Barrel <b>(Non-Stock Item)</b>
5	G10939	1	Hex Head Cap Screw, 3/8"-16 x 2 1/4"
	G10108	1	Lock Nut, 3/8"-16
6	GD12502	1	Piston
7	G10958	1	Lock Nut, 1"-14
A	GA8911	-	Cylinder Complete, 3" x 16" (Part Number Stamped On Barrel)
B	GR1526	-	Seal Kit, Includes: (1) Wear Ring, (1) T-Seal, (2) O-Rings, (1) BU Ring, (1) U-Cup, (1) Wiper

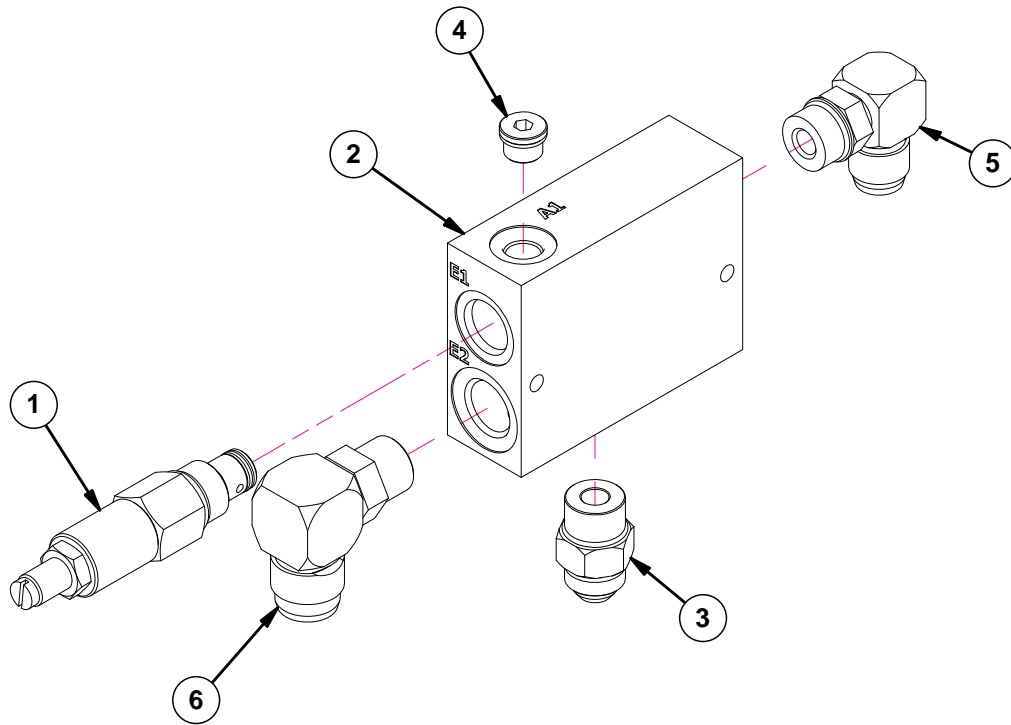
Transport Latch Cylinder, All Sizes

CYL035/CYL050(CYL9c)



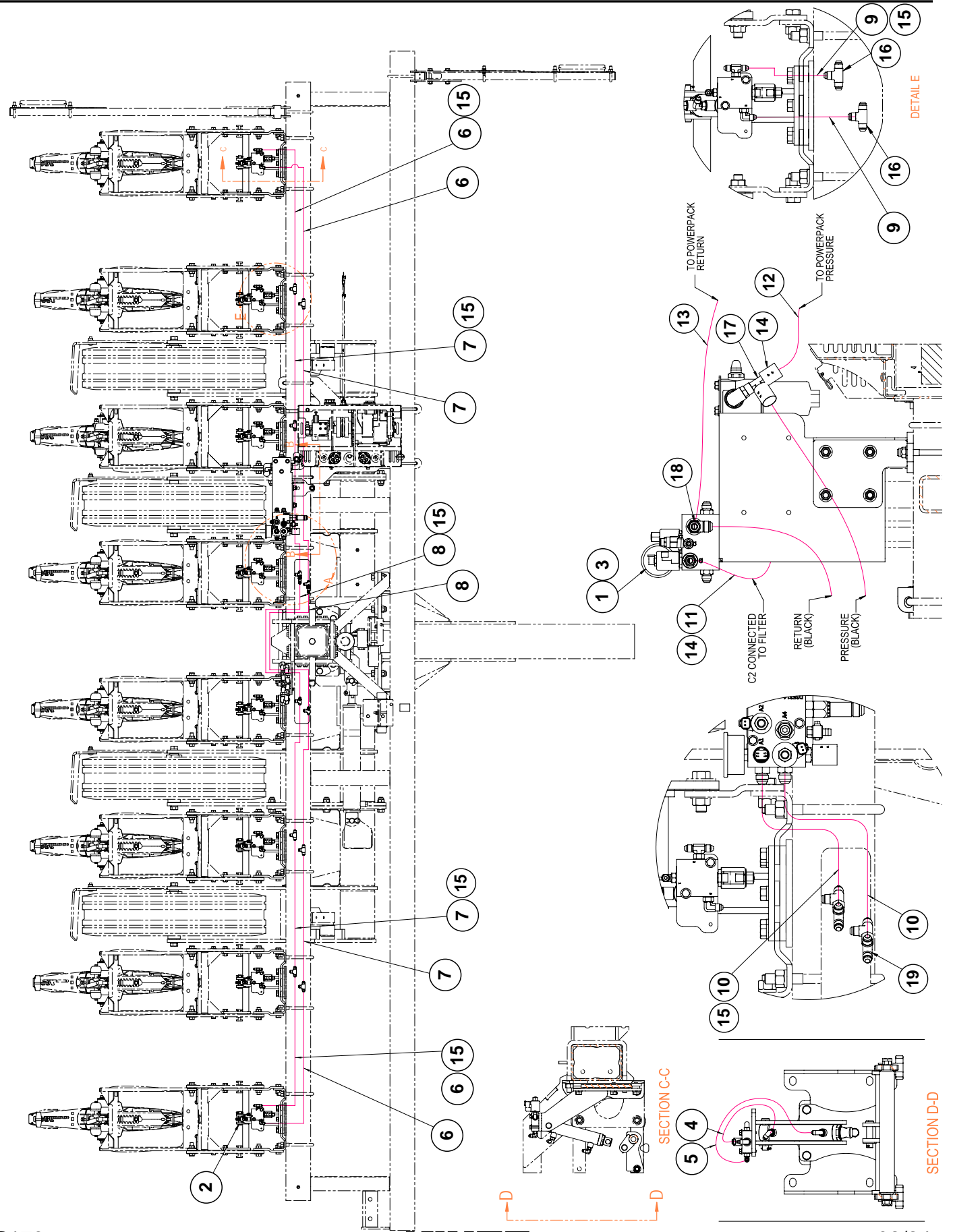
ITEM	PART NO.	QTY.	DESCRIPTION
1	G10770	1	Internal Retaining Ring, 1 11/16"
2	GD13170	1	Gland
3	GD13425	1	Rod
4	GD13172	1	Piston
5	GD27232	1	Nylon Lock Nut, 1/2"-20, Grade 8
6	D13426	1	Barrel <b>(Non-Stock Item)</b>
7	GD13400	1	Tension Bushing, 1" x 2" Long
8	GD13173	1	End Cap
A	GA9559	-	Cylinder Complete, 1 1/2" x 2 1/2" (Part Number Stamped On Barrel)
B	GR1598	-	Seal Kit, Includes: (3) O-Rings, (2) BU Rings, (1) Rod Wiper, (1) T-Seal, (1) Bronze Bushing, (1) Seal, (1) U-Cup

(A25606)



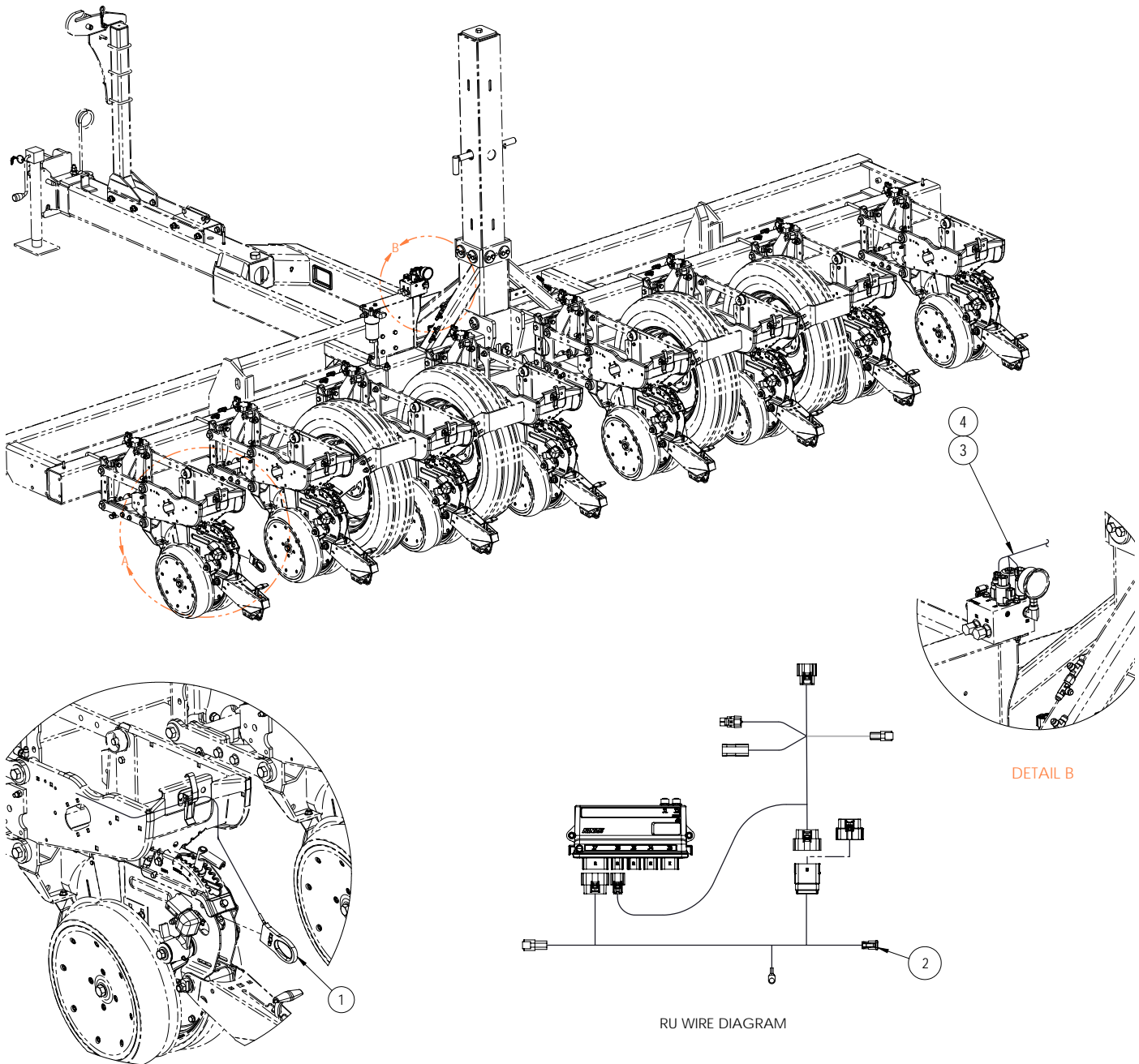
ITEM	PART NO.	QTY.	DESCRIPTION
1	GA17426	1	Pressure Relief Valve
2	GD30500	1	Hydraulic Block PTO
3	G6400-10	1	Adapter, 7/8-14 JIC, 7/8-14 O-Ring
4	G6408-H06-O	1	O-Ring Plug, 9/16-18 Hex Soc Head
5	G6801-10	1	Elbow W/O-Ring, 90°, 7/8"-14 Male JIC To 1 1/16"-12 O-Ring
6	G6801-12-10	1	Elbow W/O-Ring, 90°. 1 1/16"-12 Male JIC To 7/8"-14 O-Ring





ITEM	PART NO.	QTY.	DESCRIPTION
1	G10709001	1	<a href="#">See "True Depth Main Block Assembly" on page P180</a>
2	G10617701	1	<a href="#">See "Row Unit with True Depth Assembly" on page P39</a>
3	---	-	<a href="#">See "Integrated True Depth Assembly" on page P178</a>
4	*A7678-13	8	Hose Assembly, 1/4" x 13" (04F-04F)
5	*A7677-20	8	Hose Assembly, 1/4" x 20" (04F - 04F STD 90)
6	*A7680-35	4	Hose Assembly, 1/4" x 35" (04F-06F)
7	*A12038	8	Hose Assembly, 3/8" x 30" (06F-06F)
8	*A15081-32	2	Hose Assembly, 3/8" x 32" (06F-06F)
9	*A7680-10	12	Hose Assembly, 1/4" x 10" (04F-06F)
10	*A25504-19	2	Hose Assembly, 3/8" x 19" (06F - 08F90S)
11	*A18671-30	1	Hose Assembly, 1/2" x 30" (08F-08F90S)
12	*A18667-32	1	Hose Assembly, 1/2" x 32" (08F - 08F)
13	*A21530-48	1	Hose Assembly, 5/8" x 48" (10F - 10F)
14	GD10057-20	4	Hose Identification Sleeve, Purple PP
15	GD35904-01	28	Shrink Tube, Purple PP
16	G2603-06	12	Tee, 9/16"-18 Male JIC
17	G6602-08	1	Swivel Tee, 3/4"-16 JIC
18	G6602-10	1	Swivel Tee, 7/8"-14 JIC
19	G6602-06	2	Swivel Tee, 9/16"-18 JIC

**\*Hydraulic hose is not stocked by Kinze Repair Parts.**



DETAIL A

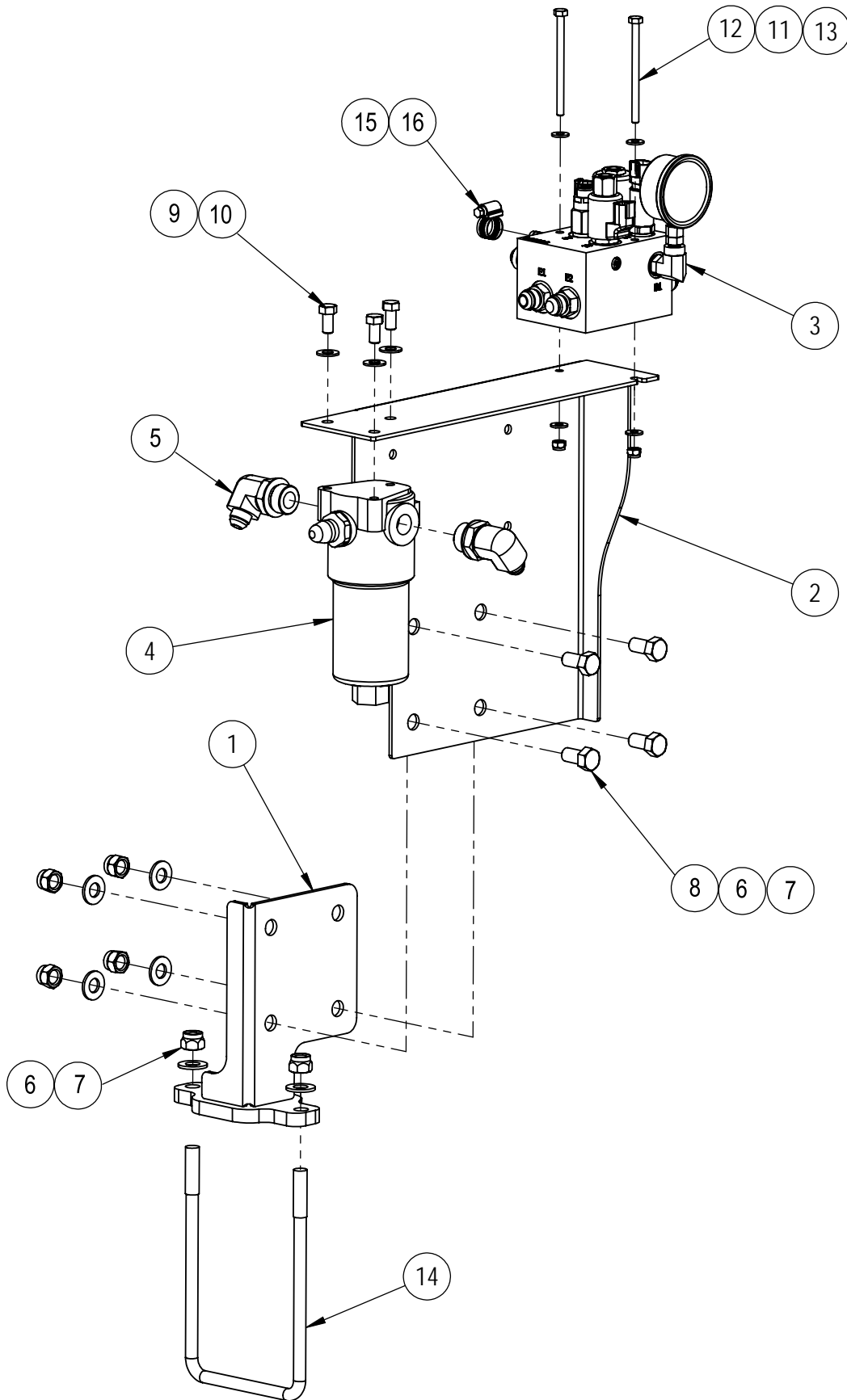
DETAIL B

RU WIRE DIAGRAM

ITEM	PART NO.	QTY.	DESCRIPTION
1	GA27146	8	Link Sensor, True Depth ( <b>True Depth equipped planters only</b> )
2	GA26709	8	Integrated True Depth Row Unit Harness ( <b>Non-True Speed only</b> )
3	G10337001	1	Integrated True Depth Harness
4	G10640901	1	Sealed Cap

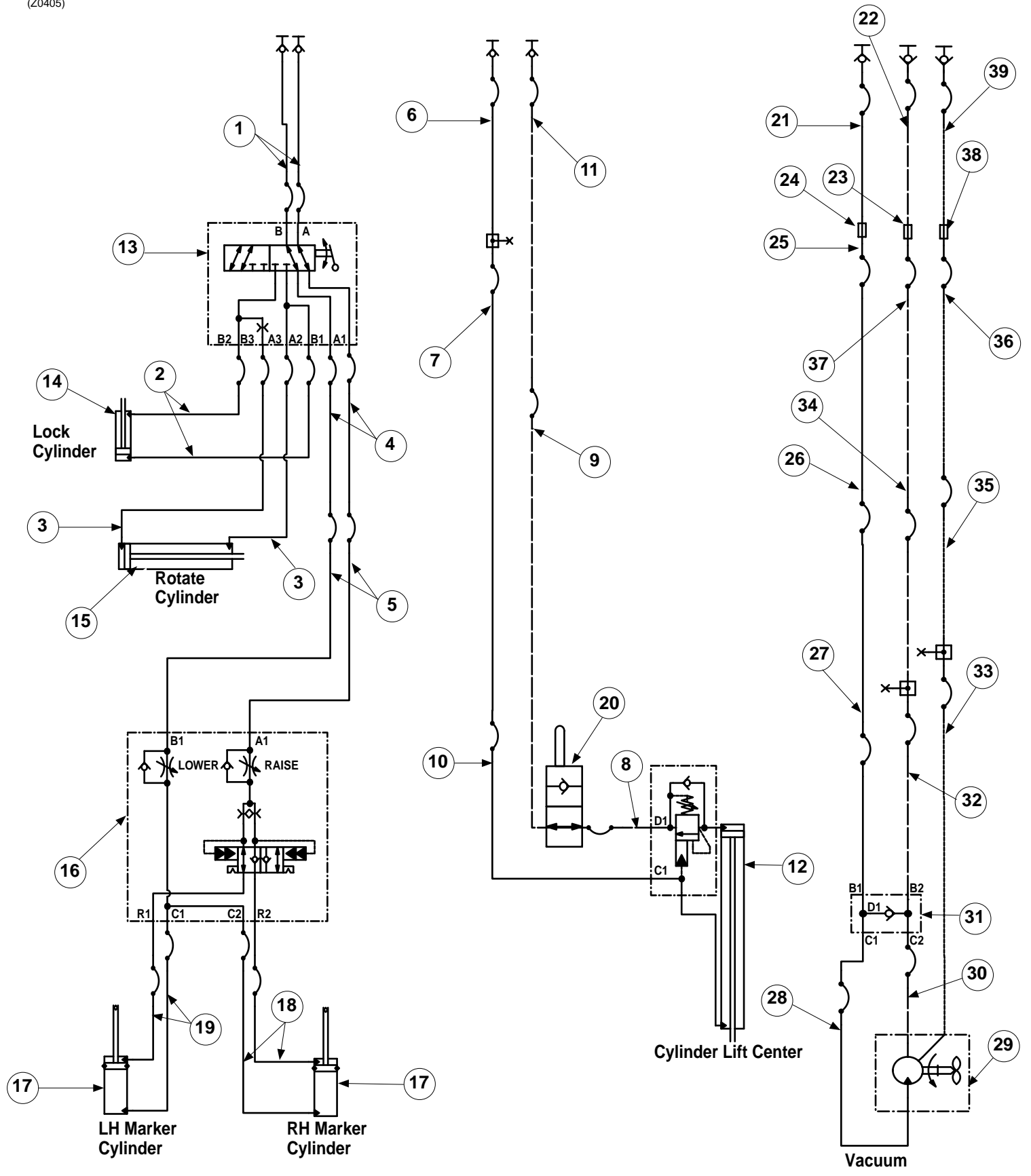
**This page left blank intentionally.**

(107090)



ITEM	PART NO.	QTY.	DESCRIPTION
1	G10336501	1	Hydraulic Down Force Main Bracket
2	GD36756	1	Hydraulic Block Mount Bracket
3	GA25289	1	Down Force Manifold Block Assembly
4	GA25857	1	In-Line Filter Assembly
5	G6801-08-12	2	90° Adjustable Elbow, 3/4"-16
6	G11389	6	Flat Washer, 1/2" Plated SAE
7	G10111	6	Lock Nut, 1/2"-13
8	G10014	4	Hex Head Cap Screw, 1/2"-13 x 1"
9	G11387	3	Flat Washer, 3/8" SAE
10	G10002	3	Hex Head Cap Screw, 3/8"-16 x 3/4"
11	G11385	4	Flat Washer, 1/4" SAE
12	G11135	2	Hex Head Cap Screw, 1/4"-20 X 3 3/4"
13	G10110	2	Lock Nut, 1/4"-20, Grade B
14	GD8306	1	U-Bolt, 7" x 5" x 1/2"-13
15	GD6279-03	1	Tube, 3/8" x 28
16	G10681	1	Hose Clamp, No. 6

(Z0405)



## Vacuum Conventional Planter Hydraulic System

M0311-02

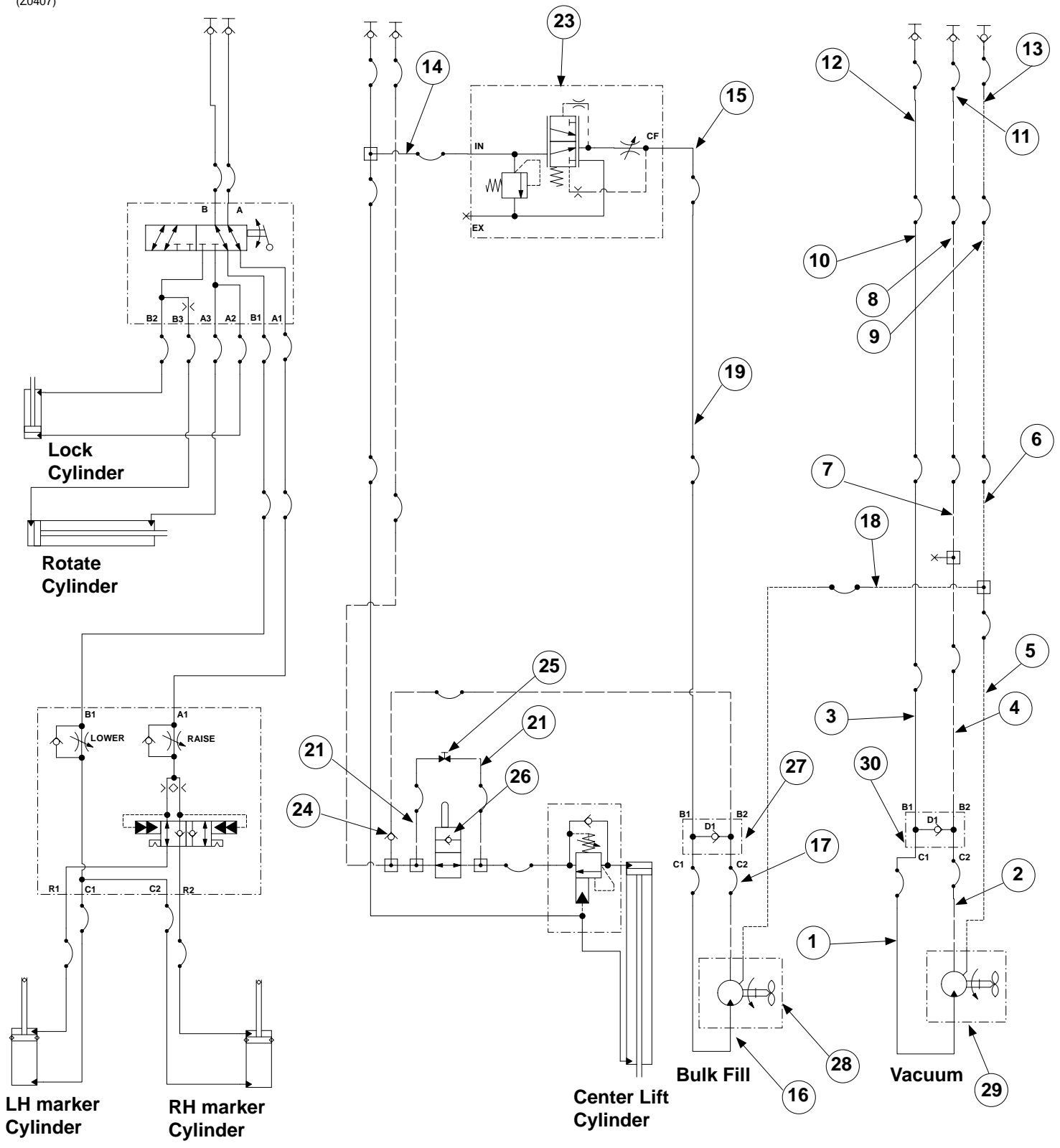
Model 3505

ITEM	PART NO.	QTY.	DESCRIPTION
1	*A26936-98	2	Hose Assembly, 3/8" x 98" (1/2M NPTF-08F)
2	*A1154	2	Hose Assembly, 1/4" x 72" (06F-06F)
3	*A1121	2	Hose Assembly, 1/4" x 180" (06F-06F)
4	*A15094-175	2	Hose Assembly, 3/8" x 175" (08M-08F)
5	*A15092-90	2	Hose Assembly, 3/8" x 90" (06F-08F)
6	*A26939-140	1	Hose Assembly, 3/8" x 140" (1/2M-06F)
7	*A15082-132	1	Hose Assembly, 3/8" x 132" (06F-06M)
8	*A1018	1	Hose Assembly, 3/8" x 40" (08F-08F)
9	*A15092-106	1	Hose Assembly, 3/8" x 106" (06F -08F)
10	*A15064	1	Hose Assembly, 3/8" x 130" (06F-06F)
11	*A26940-260	1	Hose Assembly, 3/8" x 260" (1/2M-06M)
12	GA24694	1	<a href="#">See "Lift Cylinder" on page P164</a>
13	GA24891	1	<a href="#">See "Selector Valve" on page P168</a>
14	GA9559	1	<a href="#">See "Transport Latch Cylinder, All Sizes" on page P174</a>
15	GA8911	1	<a href="#">See "Rotation Cylinder" on page P174</a>
16	GA24921	1	<a href="#">See "Row Marker Sequencing/Flow Control Valve Fittings &amp; Mount" on page P169</a>
17	GA21158	2	<a href="#">See "Row Marker Cylinder" on page P166</a>
18	*A1090	2	Hose Assembly, 3/8" x 162" (08F - 08F)
19	*A1078	2	Hose Assembly, 3/8" x 174" (08F-08F)
20	GA6884	1	Stroke Limiter Valve Complete
21	*A26941-112	1	Hose Assembly, 3/8" x 112" (1/2M-10F)
22	*A21548-120	1	Hose Assembly, 5/8" x 120" (1/2M-12F)
23	*G2403-12-10	1	Union, Male 1-1/6"-12 JIC x 7/8"-14 JIC
24	*G2403-10	1	Union, 7/8"-14 Male JIC
25	*G15098-150	1	Hose Assembly, 3/8" x 150" (10F-06M)
26	*G15082-77	2	Hose Assembly, 3/8" x 77" (06F-06M)
27	*G15023	1	Hose Assembly, 3/8" x 154" (06F-06F)
28	*G3292	1	Hose Assembly, 3/8" x 22" (06F-06F)
29	G10923501	1	Vacuum Fan Assembly
30	*A12767	1	Hose Assembly, 1/2" x 22" (08F-08F)
31	---	1	<a href="#">See "Bulk Fill/Vacuum Anti-Cavitation Check Valve Block (Located on Vacuum Fan)" on page P172</a>
32	*A18668-152	1	Hose Assembly, 1/2" x 152" (08F-10M)
33	*A15000	1	Hose Assembly, 3/8" x 164" (06F-06F)
34	*A21525-77	1	Hose Assembly, 5/8" x 77" (10F-10M)
35	*A15082-77	2	Hose Assembly, 3/8" x 77" (06F-06M)
36	*A15092-155	1	Hose Assembly, 3/8" x 155" (06F-08F)
37	*A21530-140	1	Hose Assembly, 5/8" x 140" (10F-10F)
38	**G2403-08-06	1	Union, Male 3/4"-16 JIC x 9/16"-18 JIC
39	*A26938-110	1	Hose Assembly, 3/8" x 110" (1/2M-06F)

**\*Hydraulic hose is not stocked by Kinze Repair Parts.**



(Z0407)

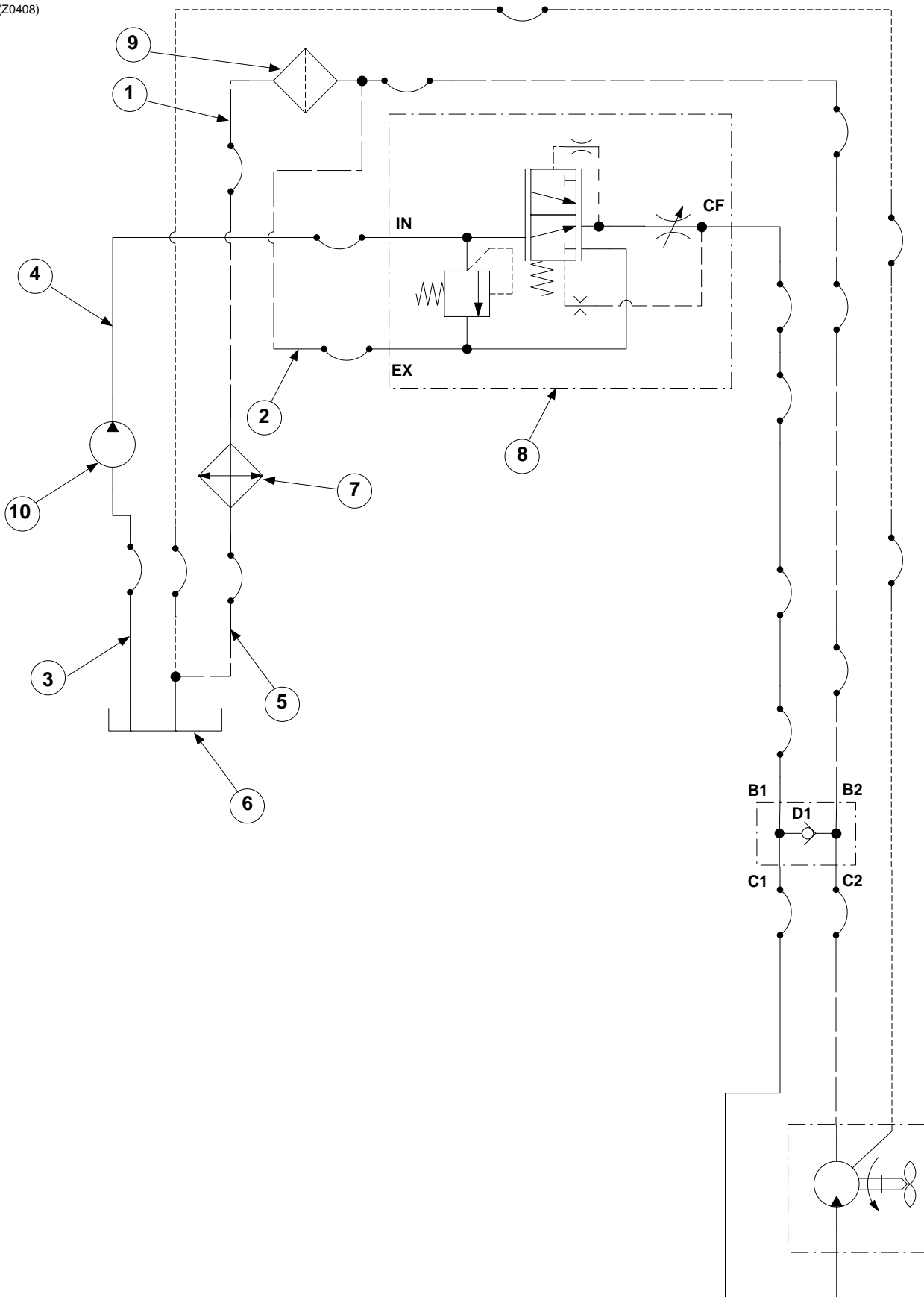


ITEM	PART NO.	QTY.	DESCRIPTION
1	*A3292	1	Hose Assembly, 3/8" x 22" (06F-06F)
2	*A12767	1	Hose Assembly, 1/2" x 22" (08F-08F)
3	*A15023	1	Hose Assembly, 3/8" x 154" (06F-06F)
4	*A18668-152	1	Hose Assembly, 1/2" x 152" (08F-10M)
5	*A15000	1	Hose Assembly, 3/8" x 164" (06F-06F)
6	*A15082-77	2	Hose Assembly, 3/8" x 77" (06F-06M)
7	*A21525-77	1	Hose Assembly, 5/8" x 77" (10F-10M)
8	*A21530-140	1	Hose Assembly, 5/8" x 140" (10F-10F)
9	*A15092-155	1	Hose Assembly, 3/8" x 155" (06F-08F)
10	*A15098-150	1	Hose Assembly, 3/8" x 150" (10F-06M)
11	*A21548-120	1	Hose Assembly, 5/8" x 120" (1/2M-12F)
12	*A26941-112	1	Hose Assembly, 3/8" x 112" (1/2M-10F)
13	*A26938-110	1	Hose Assembly, 3/8" x 110" (1/2M-06F)
14	*A15081-24	1	Hose Assembly, 3/8" x 24" (06F-06F)
15	*A15082-154	1	Hose Assembly, 3/8" x 154" (06F-06M)
16	*A12015	1	Hose Assembly, 3/8" x 17" (06F - 06F)
17	*A8213	1	Hose Assembly, 1/2" x 29" (08F - 08F)
18	*A12080	1	Hose Assembly, 3/8" x 64" (06F - 06F)
19	*A15081-128	1	Hose Assembly, 3/8" x 128" (06F - 06F)
20	*A1434	1	Hose Assembly, 1/2" x 42.5" (08F-08F)
21	*A1155	1	Hose Assembly, 1/4" x 48" (06F - 06F)
22	*A1153	1	Hose Assembly, 1/4" x 56" (06F - 06F)
23	GA10918	1	Flow Control Valve
24	GA19432	1	Inline Check Valve
25	GA22901	1	Shutoff Valve
26	GA24715	1	Plunger Valve
27	---	1	<a href="#">See "Bulk Fill/Vacuum Anti-Cavitation Check Valve Block (Located on Vacuum Fan)" on page P172</a>
28	GA24426	1	Motor
29	---	1	<a href="#">See "Vacuum Fan Assembly" on page P74</a>
30	---	1	<a href="#">See "Bulk Fill/Vacuum Anti-Cavitation Check Valve Block (Located on Vacuum Fan)" on page P172</a>

[See "Vacuum Conventional Planter Hydraulic System" on page P182](#) for part numbers of components that are not listed

**\*Hydraulic hose is not stocked by Kinze Repair Parts.**

(Z0408)

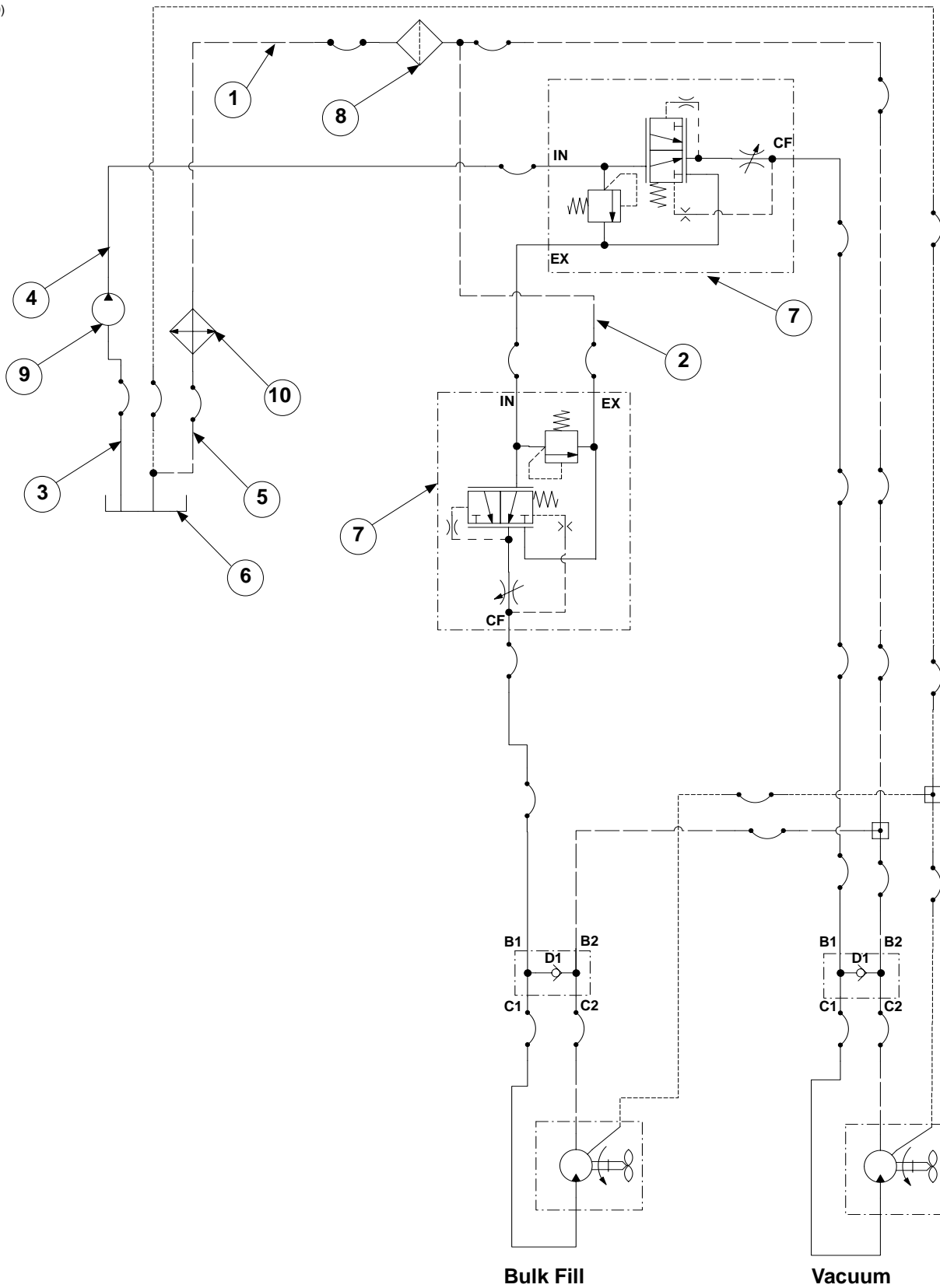


ITEM	PART NO.	QTY.	DESCRIPTION
1	*A3371	1	Hose Assembly, 3/4" x 25" (12F-12F)
2	*A21533-36	1	Hose Assembly, 3/4" x 30" (12M-12F)
3	*A6201	1	Hose Assembly, 1" x 72" (16F-16F)
4	*A1421	1	Hose Assembly, 1/2" x 84" (10F-10F)
5	*A11447	1	Hose Assembly, 5/8" x 45" (12F-12F)
6	GA27105	1	Hydraulic Tank Assembly
7	GA17113	1	Fan and Cooler Assembly
8	GD10918	1	Flow Control Valve
9	GD16037	1	Oil Filter, 10 Micron
10	GA14446	1	PTO Pump

[See "Vacuum Conventional Planter Hydraulic System" on page P182](#) for part numbers of components that are not listed.

**\*Hydraulic hose is not stocked by Kinze Repair Parts.**

(Z0409)

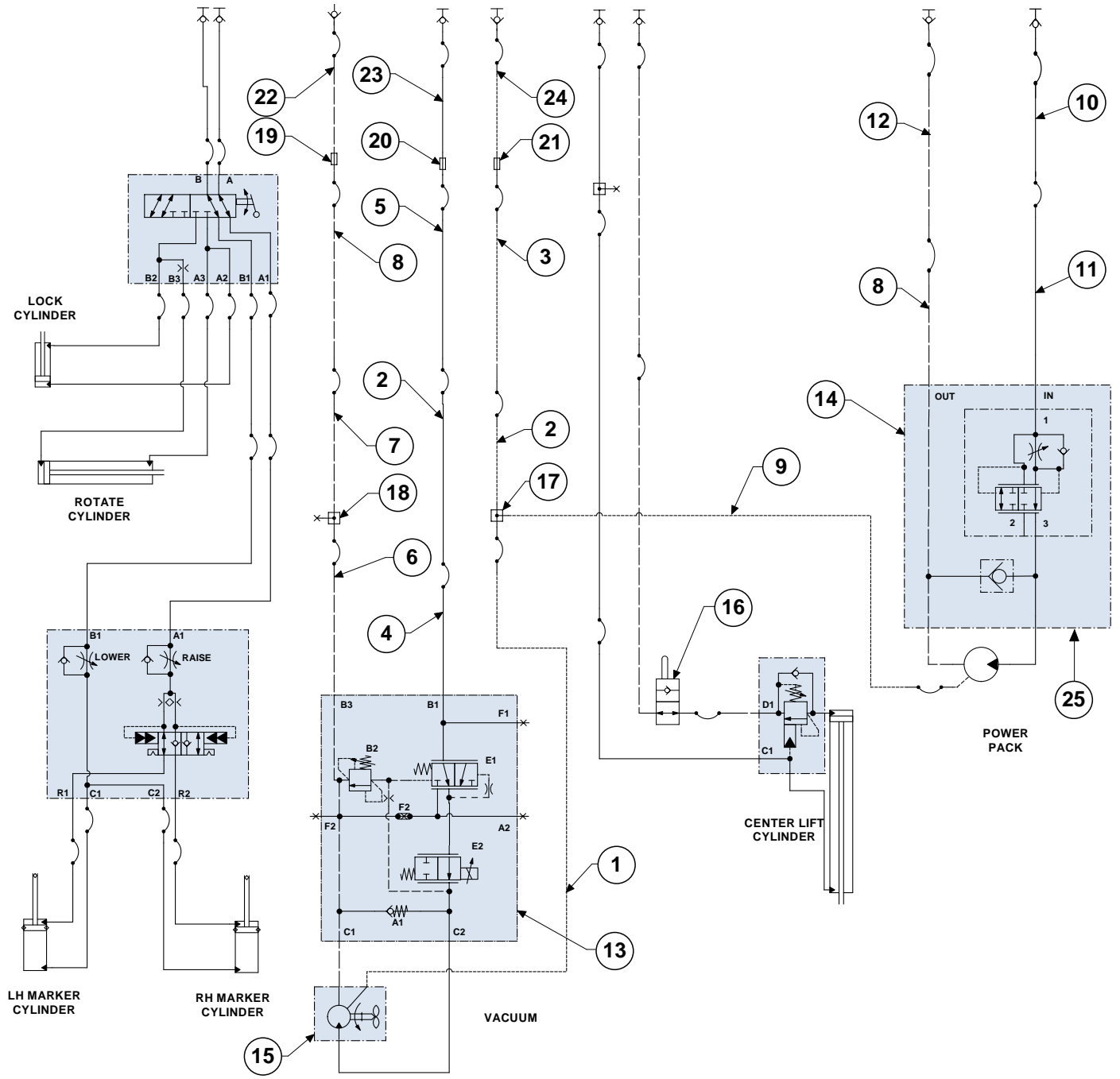


ITEM	PART NO.	QTY.	DESCRIPTION
1	*A3371	1	Hose Assembly, 3/4" x 25" (12F-12F)
2	*A21533-30	1	Hose Assembly, 3/4" x 30" (12M-12F)
3	*A6201	1	Hose Assembly, 1" x 56" (16F-16F)
4	*A1421	1	Hose Assembly, 1/2" x 84" (10F-10F)
5	*A11447	1	Hose Assembly, 5/8" x 45" (12F-12F)
6	GA27105	1	Hydraulic Tank Assembly
7	GA10918	2	Flow Control Valve
8	GD16037	1	Oil Filter, 10 Micron
9	GA14446	1	PTO Pump
10	GA17113	1	Fan and Cooler Assembly

[See "Vacuum Conventional Planter Hydraulic System" on page P182](#) for part numbers of components that are not listed

**\*Hydraulic hose is not stocked by Kinze Repair Parts.**

(Z0445)

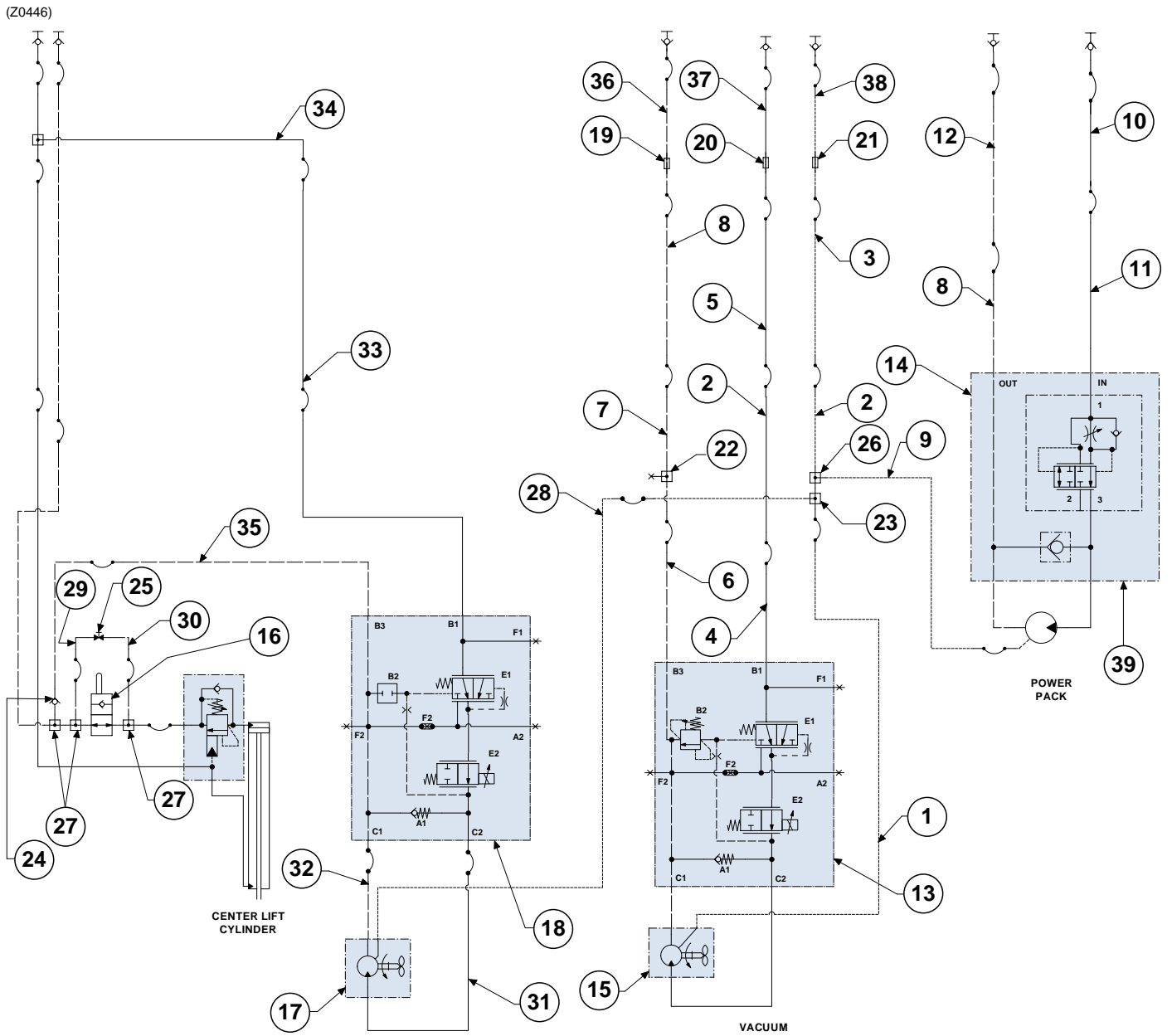


ITEM	PART NO.	QTY.	DESCRIPTION
1	*A15000	1	Hose Assembly, 3/8" x 164" (06F-06F)
2	*A15082-77	2	Hose Assembly, 3/8" x 77" (06F-06M)
3	*A15092-155	1	Hose Assembly, 3/8" x 155" (06F-08F)
4	*A25504-186	1	Hose Assembly, 3/8" x 186" (08F S90-06F)
5	*A15098-150	1	Hose Assembly 3/8" x 150" (10F-06M)
6	*A18676-184	1	Hose Assembly, 1/2" x 184" (10F90S - 10M)
7	*A21525-77	1	Hose Assembly, 5/8" x 77" (10F-10M)
8	*A21530-140	2	Hose Assembly, 5/8" x 140" (10F-10F)
9	*A15081-95	1	Hose Assembly, 3/8" x 95" (06F-06F)
10	*A18695-246	1	Hose Assembly, 1/2" x 246" (7/8-14 Female JIC x 1/2" Male NPTF)
11	*A18667-180	1	Hose Assembly, 1/2" x 180" (08F-08F)
12	*A21550-288	1	Hose Assembly, 5/8" x 288" (1/2M NPTF W/ Special Tip - 10F)
13	---	-	<a href="#">See "Hydraulic Valve Block on Vacuum Motor" on page P80</a>
14	---	-	<a href="#">See "Power Pack Assembly" on page P213</a>
15	---	-	<a href="#">See "Blue Drive Vacuum Fan Assembly" on page P78</a>
16	---	-	<a href="#">See "Stroke Limiter Valve, Conventional" on page P168</a>
17	G2603-06	1	Tee, 9/16"-18 Male JIC
18	G6602-10	1	Swivel Tee, 7/8"-14 JIC
19	G2403-12-10	1	Union, Male 1-1/6-12 JIC x 7/8-14 JIC
20	G2403-10	1	Union, 7/8"-14 Male JIC
21	G2403-08-06	1	Union, Male 3/4-16 JIC x 9/16-18 JIC
22	*A21548-120	1	Hose Assembly 5/8" x 120" (1/2M - 12F)
23	*A26941-112	1	Hose Assembly 3/8" x 112" (1/2M NPTF W/Tip - 06M)
24	*A26938-110	1	Hose Assembly 3/8 X 110 (1/2M - 06F)
25	*10199901	1	<a href="#">See "Manifold Hydraulic Block Assembly" on page P171</a>

[See "Vacuum Conventional Planter Hydraulic System" on page P182](#) for part numbers of components that are not listed

**\*Hydraulic hose is not stocked by Kinze Repair Parts.**





## Blue Drive Vacuum Bulk Fill Planter Hydraulic System

M0311-02

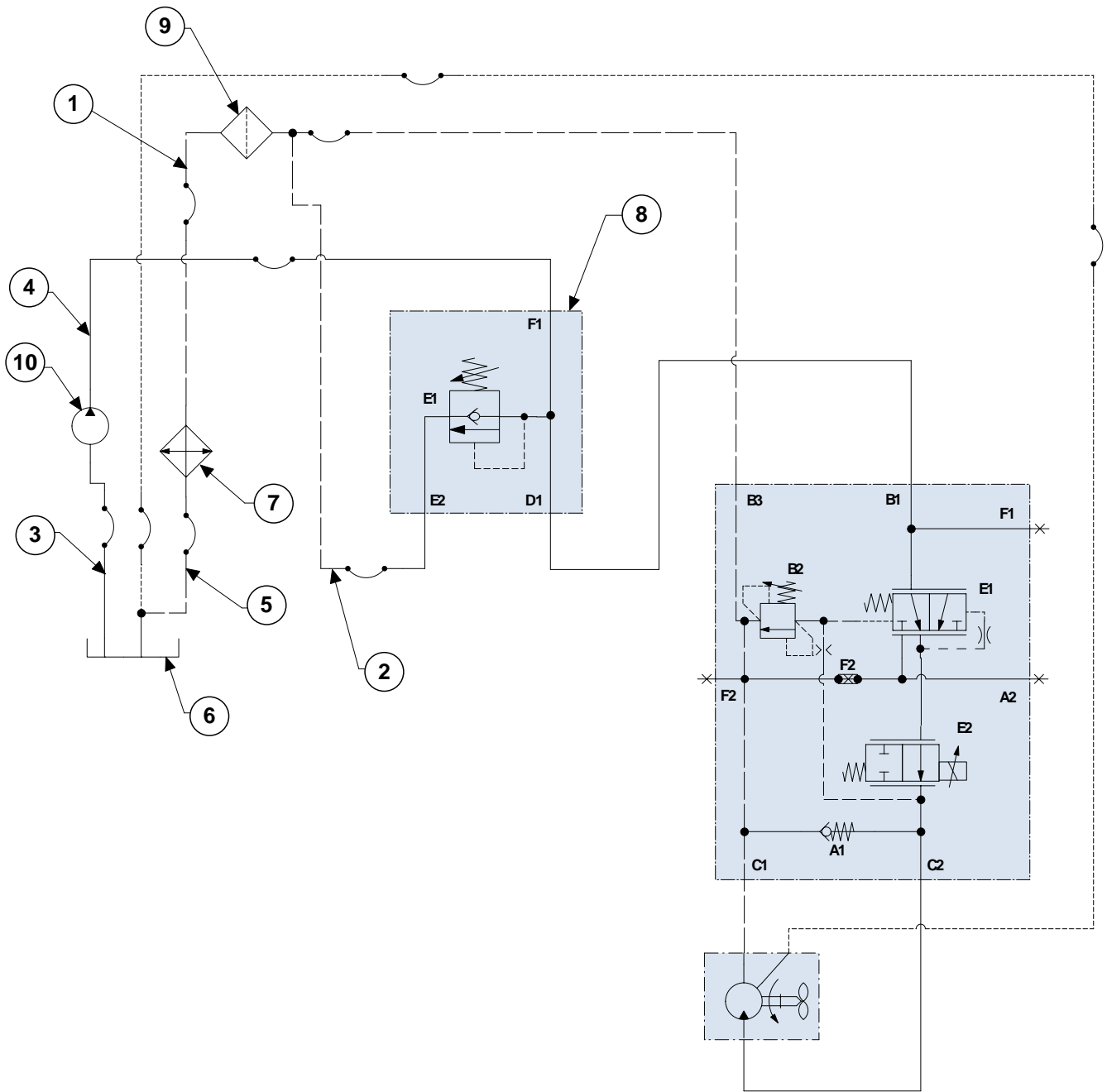
Model 3505

ITEM	PART NO.	QTY.	DESCRIPTION
1	*A15000	-	Hose Assembly, 3/8" x 164" (06F-06F)
2	*A15082-77	-	Hose Assembly, 3/8" x 77" (06F-06M)
3	*A15092-155	-	Hose Assembly, 3/8" x 155" (06F-08F)
4	*A25504-186	-	Hose Assembly, 3/8" x 186" (08F S90-06F)
5	*A15098-150	-	Hose Assembly 3/8" x 150" (10F-06M)
6	*A18676-184	-	Hose Assembly, 1/2" x 184" (10F90S - 10M)
7	*A21525-77	-	Hose Assembly, 5/8" x 77" (10F-10M)
8	*A21530-140	-	Hose Assembly, 5/8" x 140" (10F-10F)
9	*A15081-95	-	Hose Assembly, 3/8" x 95" (06F-06F)
10	*A18695-246	-	Hose Assembly, 1/2" x 246"
11	*A18667-180	-	Hose Assembly, 1/2" x 180" (08F-08F)
12	*A21550-288	-	Hose Assembly, 5/8" x 288" (1/2M NPTF W/ Special Tip - 10F)
13	---	-	<a href="#">See "Hydraulic Valve Block on Vacuum Motor" on page P80</a>
14	---	-	<a href="#">See "Power Pack Assembly" on page P213</a>
15	---	-	<a href="#">See "Blue Drive Vacuum Fan Assembly" on page P78</a>
16	---	-	<a href="#">See "Stroke Limiter Valve, Bulk Fill" on page P146</a>
17	---	-	<a href="#">See "Blue Drive Vacuum Fan Assembly" on page P78</a>
18	---	-	<a href="#">See "Hydraulic Valve Block on Vacuum Motor" on page P80</a>
19	G2403-12-10	-	Union Male 1-1/6-12 JIC X 7/8-14 JIC
20	G2403-10	-	Union, 7/8"-14 Male JIC
21	G2403-08-06	-	Union Male 3/4-16 JIC X 9/16-18 JIC
22	G6602-10	-	Swivel Tee, 7/8"-14 JIC
23	G2603-06	-	Tee, 9/16"-18 Male JIC
24	GA19432	-	Inline Check Valve
25	GA22901	-	Shutoff Valve
26	G6602-06	-	Swivel Tee, 9/16"-18 JIC
27	G6602-08	-	Swivel Tee, 3/4"-16 JIC
28	*A12080	-	Hose Assembly, 3/8" x 64" (06F-06F)
29	*A1153	-	Hose Assembly, 1/4" x 56" (06F-06F)
30	*A1155	-	Hose Assembly, 1/4" x 48" (06F-06F)
31	*A12015	-	Hose Assembly, 3/8" x 17" (06F-06F)
32	*A8213	-	Hose Assembly, 1/2" X 29" (08F-08F)
33	*A3274	-	Hose Assembly, 3/8" x 116" (06F-08F)
34	*A15082-154	-	Hose Assembly, 3/8" x 154" (06F-06M)
35	*A18644	-	Hose Assembly, 1/2" x 34" (08F-10F)
36	*A21548-120	-	Hose Assembly, 5/8" x 120" (1/2M-12F)
37	*A26941-112	-	Hose Assembly, 3/8" x 112" (1/2M-10F)
38	*A26938-110	-	Hose Assembly, 3/8" x 110" (1/2M-06F)
39	*10199901	-	<a href="#">See "Manifold Hydraulic Block Assembly" on page P171</a>

[See "Vacuum Conventional Planter Hydraulic System" on page P182](#) for part numbers of components that are not listed

**\*Hydraulic hose is not stocked by Kinze Repair Parts.**

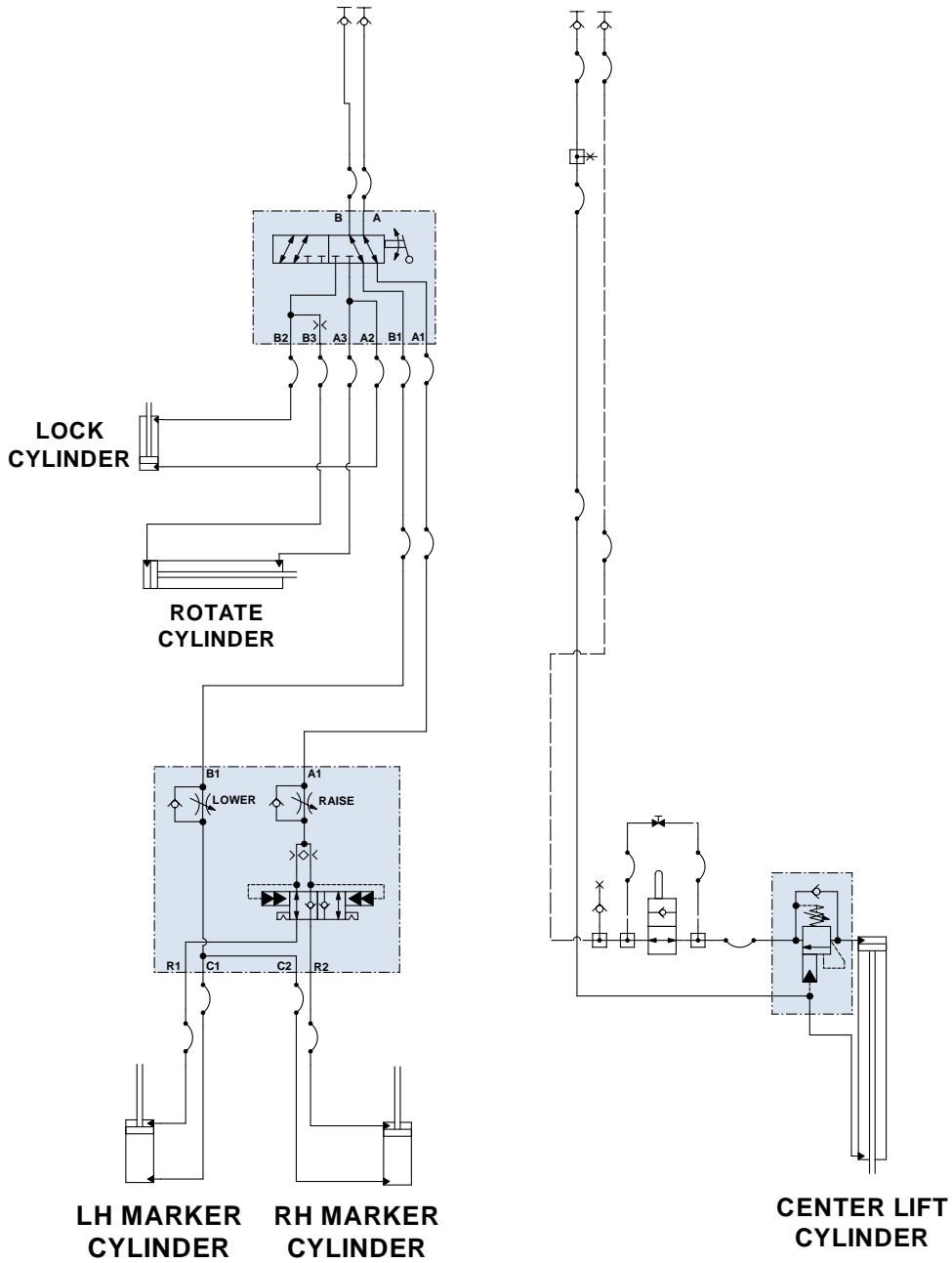
(Z0462)

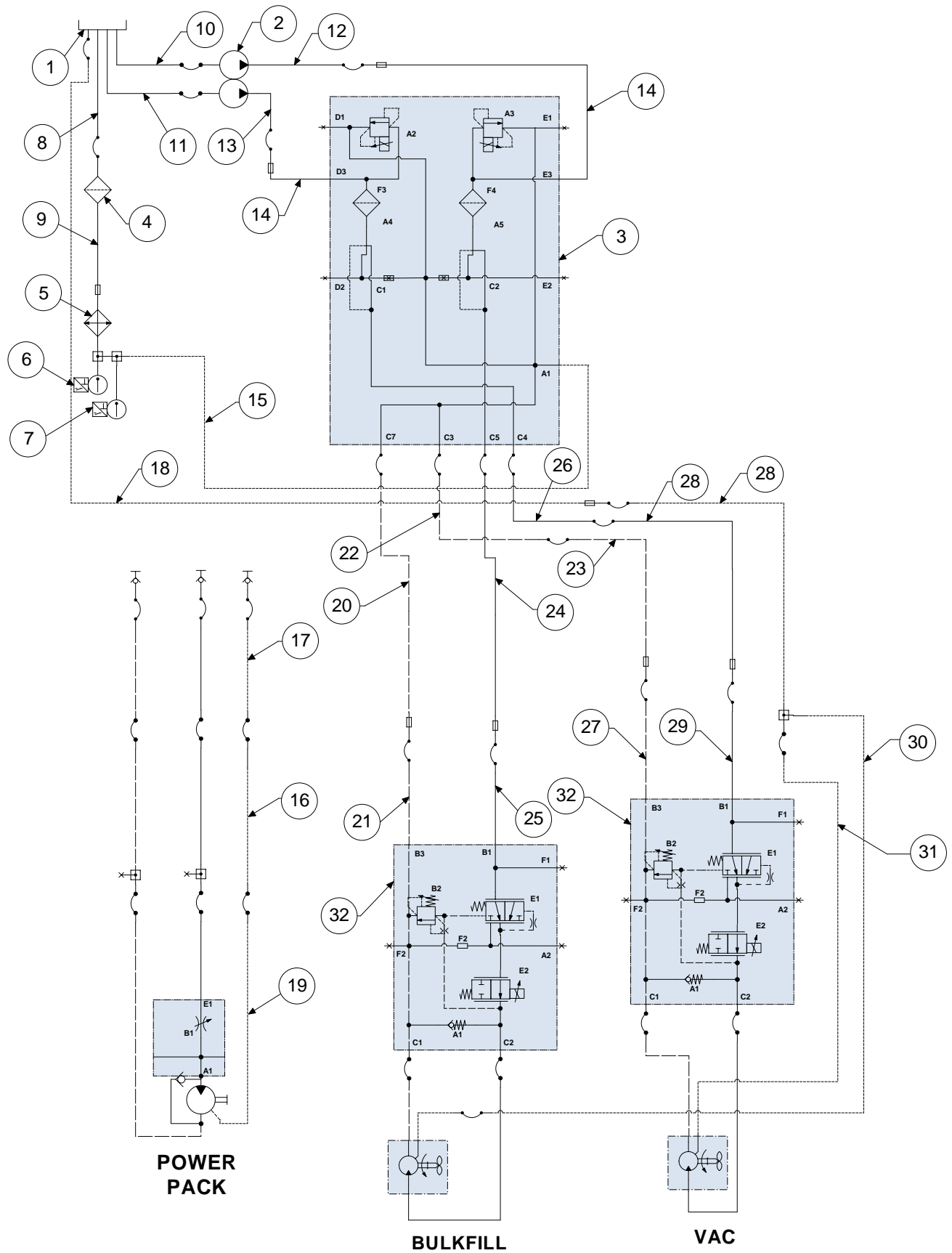


ITEM	PART NO.	QTY.	DESCRIPTION
1	*A3371	1	Hose Assembly, 3/4" x 25" (12F-12F)
2	*A21533-36	1	Hose Assembly, 3/4" x 36" (12F-12F)
3	*A6201	1	Hose Assembly, 1" x 72"
4	*A1421	1	Hose Assembly, 1/2" x 107"
5	*A11447	1	Hose Assembly, 5/8" x 45" (12F-12F)
6	G10200501	1	Hydraulic Tank, 10 Gal. W/Strainer
7	---	1	<a href="#">See "PTO Cooler and Filter Assembly w/ Mounts" on page P88</a>
8	---	1	<a href="#">See "PTO Hydraulic Block Assembly, Blue Drive" on page P175</a>
9	GD16037	1	Oil Filter, 10 Micron
10	GA14446	1	PTO Pump

[See "Blue Drive Vacuum Conventional Planter Hydraulic System" on page P190](#) for part numbers of components that are not listed.

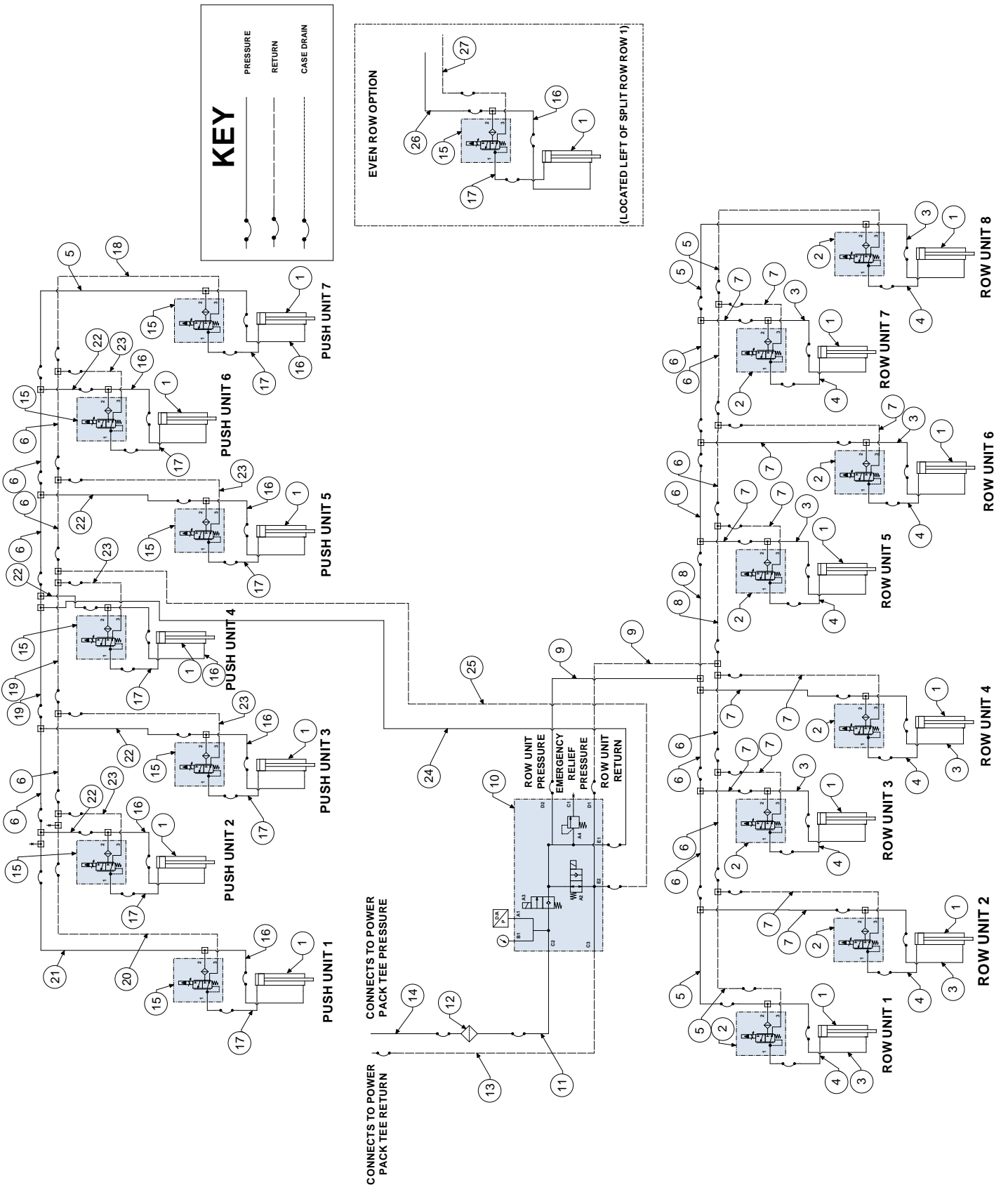
**\*Hydraulic hose is not stocked by Kinze Repair Parts.**





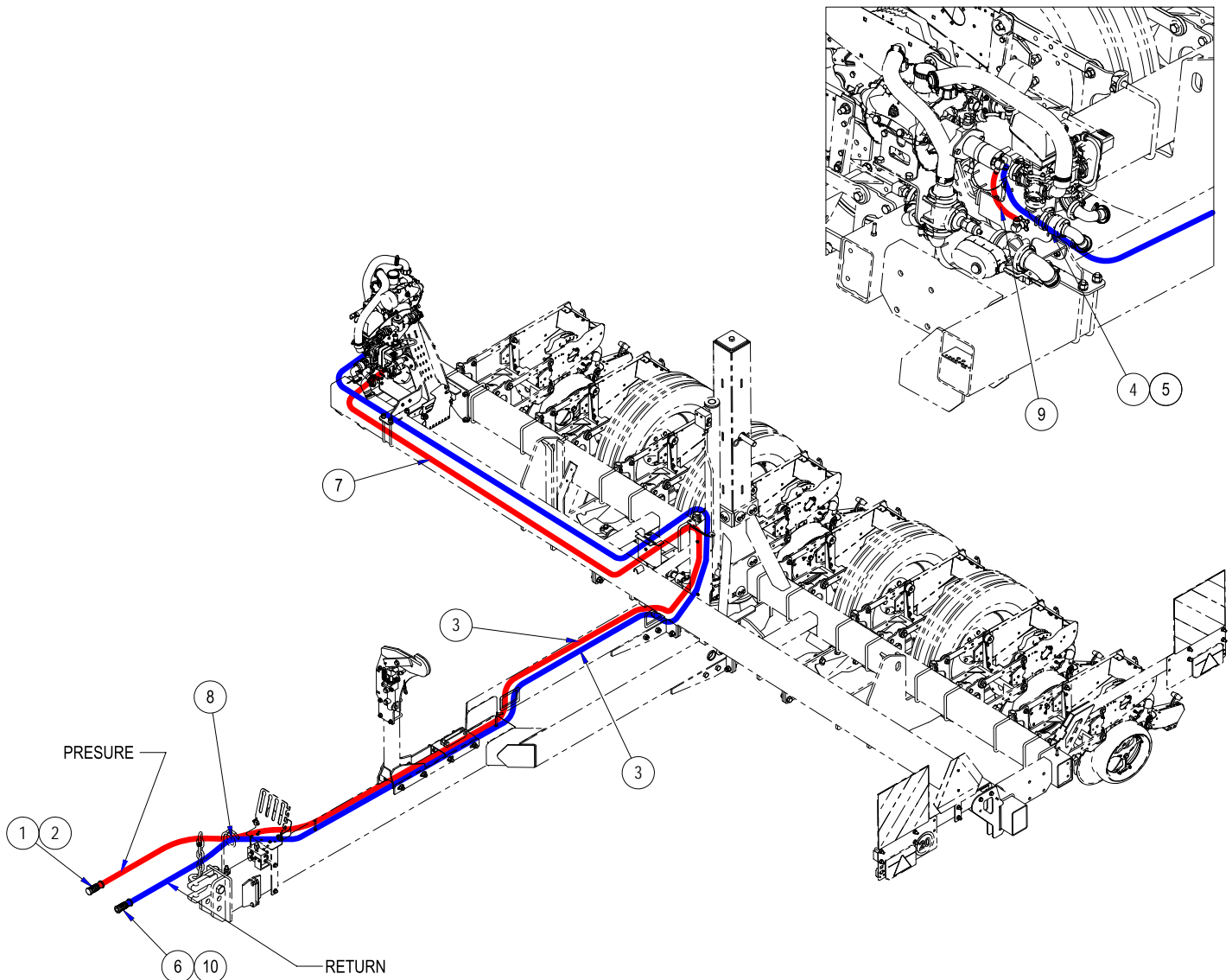
ITEM	PART NO.	QTY.	DESCRIPTION
1	G10333801	1	PTO Reservoir
2	G10288701	1	Gear Pump
3	G10186901	1	Manifold Block
4	GD16037	1	Oil Filter, 10 Micron
5	G10339301	1	Oil Cooler and Fan
6	G10087001	1	Temperature Sensor, 100°
7	G10098201	1	Temperature Sensor, 200°
8	* A12937-24	1	Hose Assembly, 3/4" x 24" (12F - 12F90S)
9	G10399801	1	Steel Hydraulic Line, 3/4"
10	*A11810-72	1	Hose Assembly, 1" x 72" (20F - 20F)
11	*A11810-68	1	Hose Assembly, 1" x 68 (20F - 20F)
12	*A25707-72	1	Hose Assembly, 1/2" AR x 72" (10F45 - 12F)
13	*A25707-68	1	Hose Assembly, 1/2" AR x 68" (10F45 - 12F)
14	G10333501	2	Steel Hydraulic Line, 5/8"
15	G10399901	1	Steel Hydraulic Line, 3/4"
16	*A15082-77	1	Hose Assembly, 3/8" x 77" (06F-06M)
17	*A26938-266	1	Hose Assembly, 3/8" x 266"
18	*A15092-155	1	Hose Assembly, 3/8" x 155" (06F-08F)
19	*A15081-95	1	Hose Assembly, 3/8" x 95" (06F-06F)
20	*A25704-242	1	Hose Assembly, 1/2" AR x 242" (08F - 08M JIC)
21	*A18644	1	Hose Assembly, 1/2" x 34" (08F-10F)
22	*A21530-140	1	Hose Assembly, 5/8" x 140" (10F-10F)
23	*A21525-77	1	Hose Assembly, 5/8" x 77" (10F-10M)
24	*A15082-154	1	Hose Assembly, 3/8" x 154" (06F-06M)
25	*A3274	1	Hose Assembly, 3/8" x 116" (06F-08F)
26	*A15098-150	1	Hose Assembly 3/8" x 150" (10F-06M)
27	*A18676-184	1	Hose Assembly, 1/2" x 184" (10F90S - 10M)
28	*A15082-77	2	Hose Assembly, 3/8" x 77" (06F-06M)
29	*A25504-186	1	Hose Assembly, 3/8" x 186" (08F S90-06F)
30	*A12080	1	Hose Assembly, 3/8" x 64" (06F-06F)
31	*A15000	1	Hose Assembly, 3/8" x 164" (06F-06F)
32	GA26164	2	Blue Drive Block

\*Hydraulic hose is not stocked by Kinze Repair Parts.





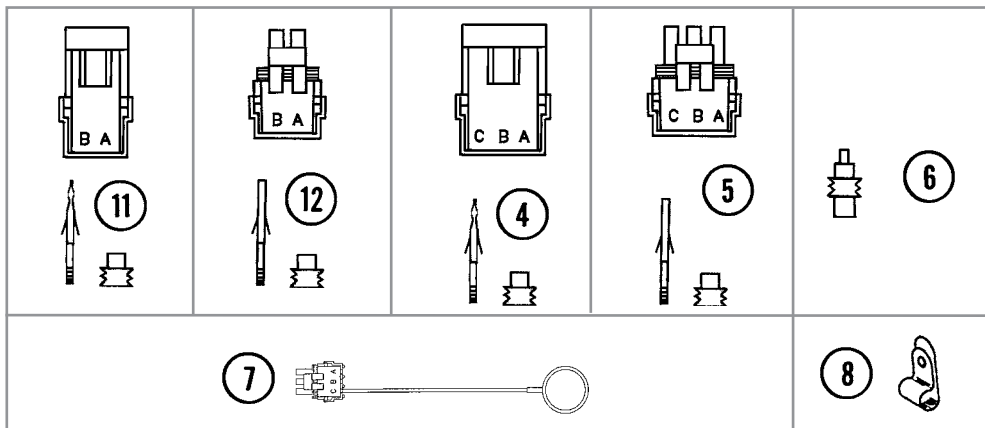
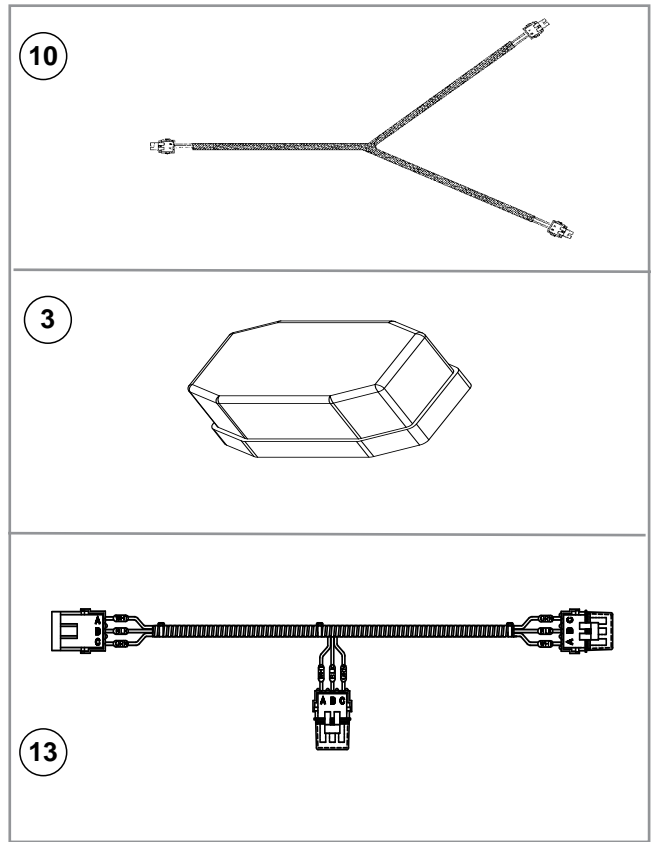
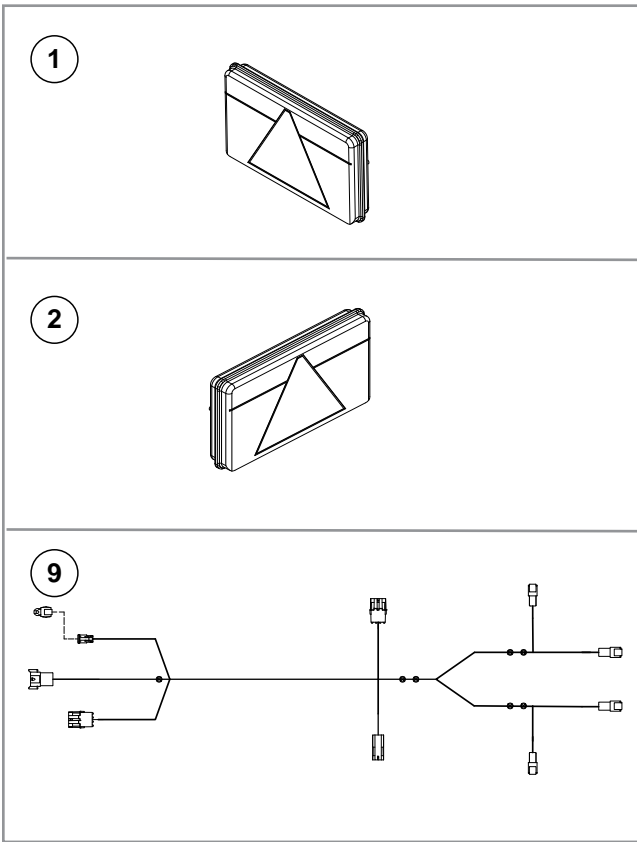
ITEM	PART NO.	QTY.	DESCRIPTION
1	GA25261	16	Cylinder Complete, 1 1/4" x 4 1/4"
2	GA25264	8	Row Unit Control Block
3	*A7677-20	8	Hose Assembly, 1/4" x 20" (04F - 04F STD 90)
4	*A7678-13	8	Hose Assembly, 1/4" x 13" (04F-04F)
5	*A7680-35	5	Hose Assembly, 1/4" x 35" (04F-06F)
6	*A12038	14	Hose Assembly, 3/8" x 30" (06F-06F)
7	*A7680-10	12	Hose Assembly, 1/4" x 10" (04F-06F)
8	*A15081-32	2	Hose Assembly, 3/8" x 32" (06F-06F)
9	*A25504-19	2	Hose Assembly, 3/8" x 19" (06F-08F90S)
10	GA25289	1	Down Force Manifold Block Assembly
11	*A18671-30	1	Hose Assembly, 1/2" x 30" (08F-08F90S)
12	GA25857	1	In-Line Filter Assembly
13	*A21542-64	1	Hose Assembly, 5/8" x 64" (10F-10F90M)
14	*A18667-72	1	Hose Assembly, 1/2" x 72" (08F-08F)
15	GA25265	8	Row Unit Control Block
16	*A7678-19	8	Hose Assembly, 1/4" x 19" (04F-04F)
17	*A7678-20	8	Hose Assembly, 1/4" x 20" (04F-04F)
18	*A7682-35	1	Hose Assembly, 1/4" x 35" (04F90L-06F)
19	*A15081-27	2	Hose Assembly, 3/8" x 27" (06F-06F)
20	*A7682-25	1	Hose Assembly, 1/4" x 25" (04L90F-06F)
21	*A7680-15	1	Hose Assembly, 1/4" x 15" (04F-06F)
22	*A7680-11	5	Hose Assembly, 1/4" x 11" (04F-06F)
23	*A7680-14	5	Hose Assembly, 1/4" x 14" (04F-06F)
24	*A25690-67	1	Hose Assembly, 3/8" x 67" (06F-08F90M)
25	*A25690-58	1	Hose Assembly, 3/8" x 58" (06F-08F90M)
26	*A7681-58	1	Hose Assembly, 1/4" x 58" (0490F-06F)
27	*A7682-58	1	Hose Assembly, 1/4" x 58" (04F90L-06F)
<b>*Hydraulic hose is not stocked by Kinze Repair Parts.</b>			



ITEM	PART NO.	QTY.	DESCRIPTION
1	GA26924-12	1	Hose Label Cover, Brown Extend
2	*A26936-250	1	Hose Assembly W/Tip, 3/8" x 250" (1/2" M NPTF - 08F)
3	G2403-08	2	Hydraulic Fitting
4	*A1029	1	Hose Assembly, 3/8" x 190"
5	G2406-08-06	1	Reducer, 3/4"-16 Female JIC To 9/16"-18 Male JIC
6	GA26924-13	1	Hose Label Cover, Brown Retract
7	*A1078	1	Hose Assembly, 3/8" x 174"
8	G10542204	1	Hose Wrap, 0.5 M
9	*A12015	1	Hose Assembly, 3/8" x 17"
10	*A26937-269	1	Hose Assembly W/Tip, 3/8" x 269" (1/2" M NPTF - 08F)

\*Hydraulic hose is not stocked by Kinze Repair Parts.

(TWL23/A9152a/ELC38/MTR27v/MTR27a/ELC8/ELC39/A9689/A10924)



## Electrical Components

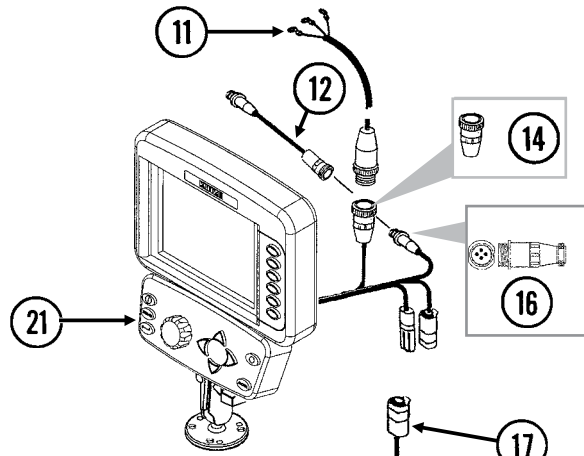
M0311-02

Model 3505

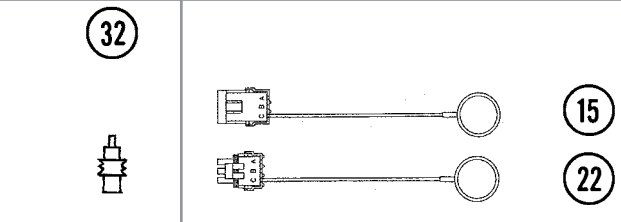
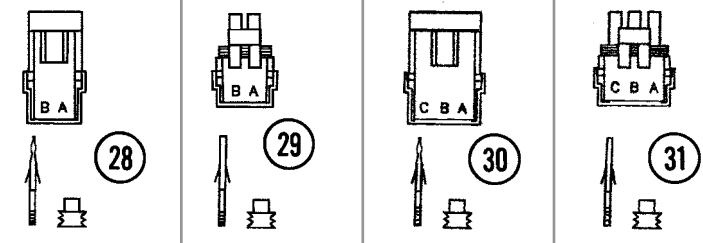
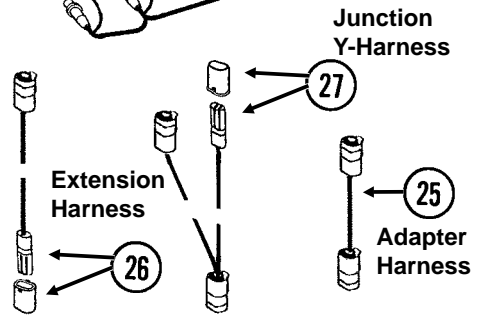
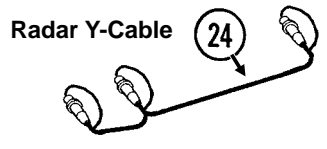
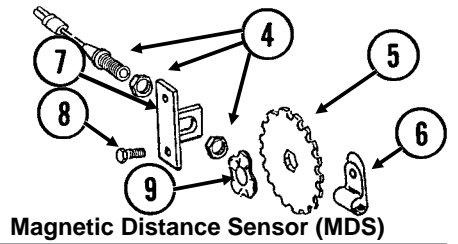
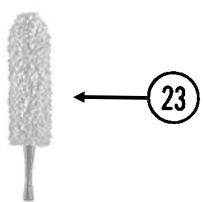
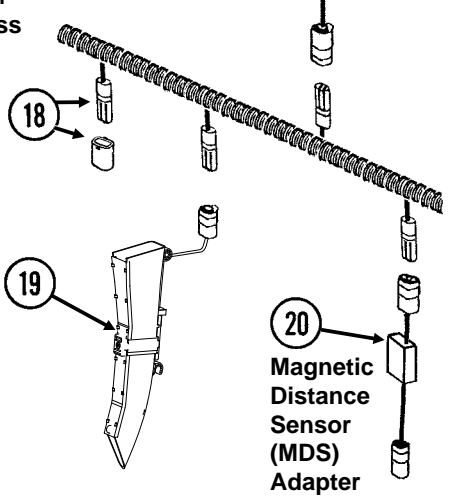
ITEM	PART NO.	QTY.	DESCRIPTION
1	GA25774	1	Light Assembly (RH)
2	GA25775	1	Light Assembly (LH)
3	GA25776	2	Light Assembly
4	G1K248	-	3-Pin Female Connector Kit (Black), Includes: (3) 3-Pin Female Housings, (9) Pin Contacts, (9) Seals
5	G1K252	-	3-Pin Male Connector Kit (Black), Includes: (3) 3-Pin Male Housings, (9) Socket Contacts, (9) Seals
6	GD11089	-	Sealing Plug
7	GA8047	-	Dust Plug (Black)
8	GD6291	1-2	Insulated Clamp, 3/8"
	GD22965	-	Insulated Clamp, 1/4"
	G11091	-	Serrated Flange Nut, 3/8"-16
9	G10316201	-	7 Terminal Female Connector (Included W/GA9152 and GA9153)
10	GA10924	1	Wiring Harness, 348"
11	G1K321	-	2-Pin Female Connector Kit (Black), Includes: (3) 2-Pin Female Housings, (6) Pin Contacts, (6) Seals
12	G1K320	-	2-Pin Male Connector Kit (Black), Includes: (3) 2-Pin Male Housings, (6) Socket Contacts, (6) Seals
13	GA13551	-	Tee Junction Harness

(MTR58)

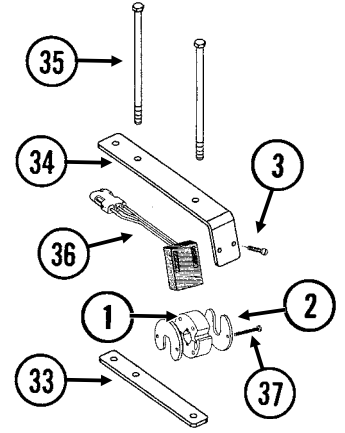
Power Lead Adapter



Planter Harness



Shaft Rotation Sensor

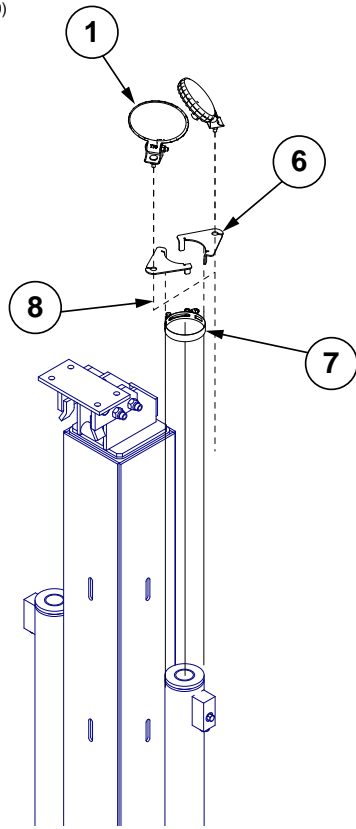


ITEM	PART NO.	QTY.	DESCRIPTION
1	GR1414	1	Actuator
2	GD11474	2	Cover
3	G11960	2	Philips Pan Head Machine Screw #8-32 x 1-1/4"
	G11961	2	Flat Washer #8
	G11202	2	Lock Nut W/Nylon Insert, No. 8-32, Stainless Steel
4	GA5600	1	Magnetic Distance Sensor
5	GD8751	-	Magnetic Distance Sensor Pulse Wheel
6	GD13348	-	Insulated Clamp, 11/16"
7	GD8770	1	Bracket
8	G11124	2	Hex Head Cap Screw, 3/8"-16 x 1"
	G10229	2	Lock Washer, 3/8"
	G10101	2	Hex Nut, 3/8"-16
9	GD8771	1	Spring Wave Washer
10	---	-	---
11	GA17547	1	Power Adapter Cable
12	GA9144	-	Monitor/Radar Adapter Cable, 10"
13	---	-	---
14	G1K268	-	Console Cable Connector Kit, Includes: (1) Cable Clamp, (1) 3-Pin Connector, (1) Lock Ring, (3) Female Terminal Pins
15	GA8046	-	Dust Plug (Black)
	GA9978	-	Dust Plug (Blue)
16	G1K322	-	4-Pin Connector Kit W/Male Housing, Includes: (4) Female Socket Contacts And (1) Cable Clamp
17	---	-	Included In Light Wiring Harness, See Item 2, <a href="#">page P202</a>
18	GA7850	-	Planter Harness W/Dust Caps, 8 Row (12 Connectors)
	GB1090	-	Dust Cap (Included W/GA7850)
19	GA21515	-	Seed Tube W/Computerized Sensor
	GA20902	-	Seed Tube (With Holes For Sensor Installation)
20	GA7859	1	Magnetic Distance Sensor Adapter (Analog To Digital)
21	G8647X	1	KPM III Backlit Console W/Brush (Item 23), Dust Plug (Item 22), Console Mounting Bracket Hardware And Power Harness
	GA12403	-	Mounting Bracket Assembly, Includes: (2) Mounting Brackets, (2) Connector Halves, (1) Compression Spring, (1) Tension Knob, (1) 1/4"-20 x 1 3/4" Hex Head Cap Screw, (1) 1/4" Plastic Washer, (1) 1/4" Steel Washer
	GR1762	-	Console Mounting Bracket Hardware Package, Includes: (3) No. 10-32 x 5/8" Hex Socket Pan Head Plated Screws, (3) 1/4" Plated Lock Washers
	GA16082	-	KPM III Console Power Harness
22	GA8047	-	Dust Plug (Black)
	GA9978	-	Dust Plug (Blue)
23	G10475701	-	Professional Microfiber Duster, 19" (for cleaning Seed Tube sensors)
24	GR0586	1	Radar Y-Cable (Used To Connect Radar Distance Sensor For Multiple Functions)
25	GA7857	-	Adapter Harness, 1'
26	GA7854	-	Extension Harness W/Dust Cap, 15'
	GA7855	-	Extension Harness W/Dust Cap, 30'
	GB1090	-	Dust Cap (Included W/GA7854 and GA7855)
27	GA7853	-	Junction Y-Harness W/Dust Cap
	GB1090	-	Dust Cap (Included W/GA7853)
28	G1K321	-	2-Pin Female Connector Kit (Black), Includes: (3) 2-Pin Female Housings, (6) Pin Contacts, (6) Seals
29	G1K320	-	2-Pin Male Connector Kit (Black), Includes: (3) 2-Pin Male Housings, (6) Socket Contacts, (6) Seals

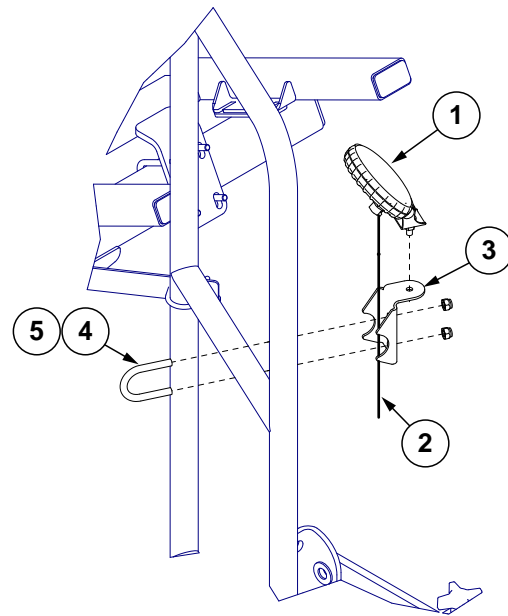
Continued on the next page.

ITEM	PART NO.	QTY.	DESCRIPTION
30	G1K248	-	3-Pin Female Connector Kit (Black), Includes: (3) 3-Pin Female Housings, (9) Pin Contacts, (9) Seals
	G1K362	-	3-Pin Female Connector Kit (Blue), Includes: (3) 3-Pin Female Housings, (9) Pin Contacts, (9) Seals
31	G1K252	-	3-Pin Male Connector Kit (Black), Includes: (3) 3-Pin Male Housings, (9) Socket Contacts, (9) Seals
	G1K363	-	3-Pin Male Connector Kit (Blue), Includes: (3) 3-Pin Male Housings, (9) Socket Contacts, (9) Seals
32	GD11089	-	Sealing Plug
33	GD18168	2	Mount
34	GD18118	2	Shaft Sensor Mount
35	G10229401	2	Hex Head Cap Screw, 3/8"-16 x 8-1/2"
	G11387	1	Flat Washer, 3/8"
	G10108	2	Lock Nut, 3/8"-16
36	GR1415	1	Rotation Sensor
37	G11202	2	Lock Nut W/Nylon Insert, No. 8-32, Stainless Steel
	G11960	2	Philips Pan Head Machine Screw #8-32 x 1-1/4"
A	GA6147	-	Magnetic Distance Sensor And Mounting Package (Items 4-9)
B	GR1763	-	KPM III Loaner (Display Only)
C	GA13521	-	Shaft Sensor Mounting Package (Items 2-3 and 33-35)
D	GA8135	-	Shaft Rotation Kit, Includes: (2) Actuators (2) Rotation Sensors

(10047601/A24506/A26060)



Conventional

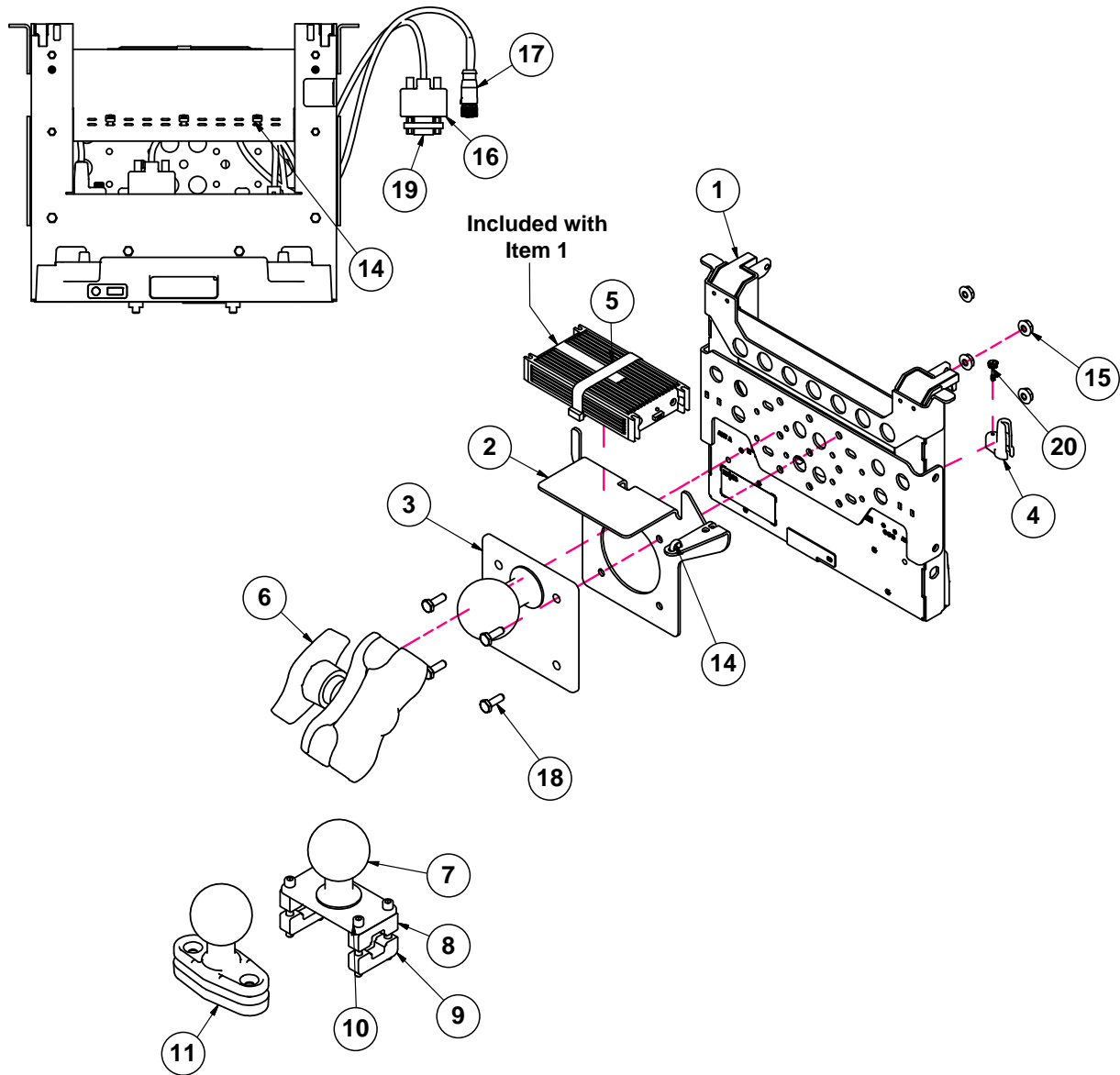


Bulk Fill

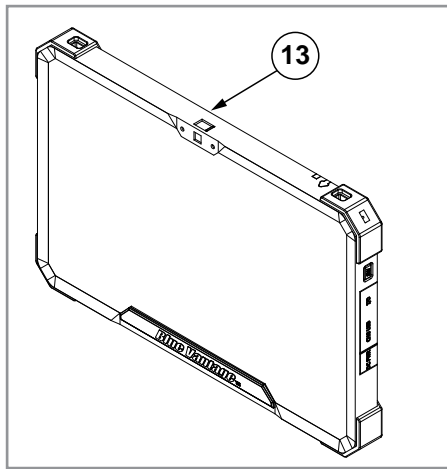
ITEM	PART NO.	QTY.	DESCRIPTION
1	GA18486	2	LED Work Light Assembly
	GA22547	1	Worklight Harness Relay ( <b>Blue Drive Only</b> )
2	GA24605	1	Worklight Wire Harness ( <b>Ground Contact Drive</b> )
	GA26885	1	Worklight Wire Harness ( <b>Blue Drive</b> )
3	GD26989	2	Work Light Bracket
4	GD27190	2	U-Bolt, 1½" x ¾"-16
5	G11091	4	Serrated Flange Nut, ¾"-16
6	GD35928	2	Bracket, 4¼" x 4"
	G11386	2	Flat Washer, 5/16" SAE
7	G11160	1	T-Bolt Clamp, 3-3/4", Stainless Steel



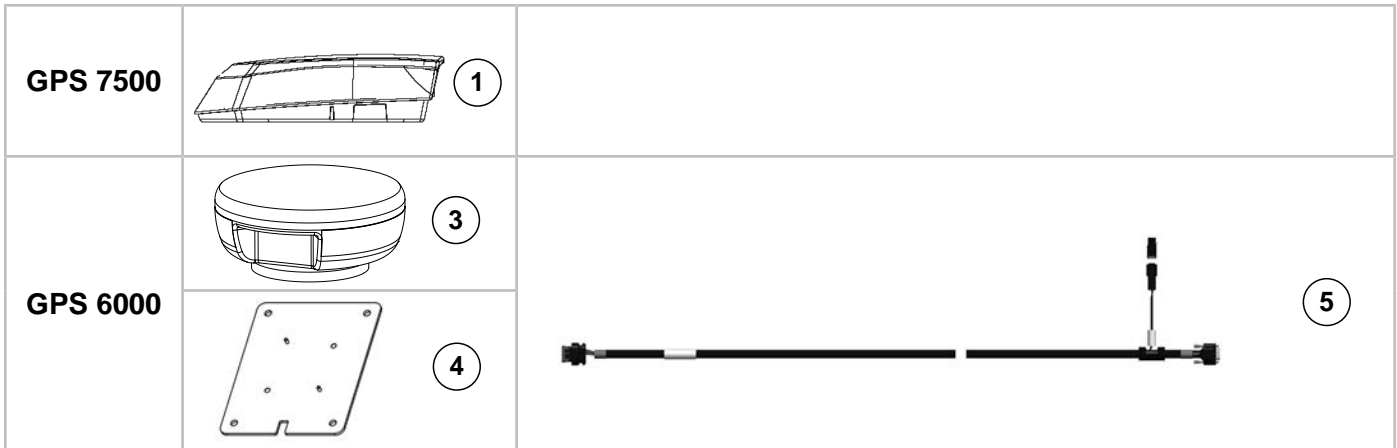
(A25406/A25408)



- 12 **GPS Interface Package Includes:**
- (1) GPS Installation Sheet
  - (1) Meter Serial Ext. Cable
  - (1) 1600 AgLeader GPS Cable
  - (1) Trimble to Starfire Adapter Cable
  - (1) M/M DB9 Serial Connector
  - (1) F/F DB9 Serial Connector
  - (1) Null Modem M/F DB9 Conector
  - (1) GPS Harness

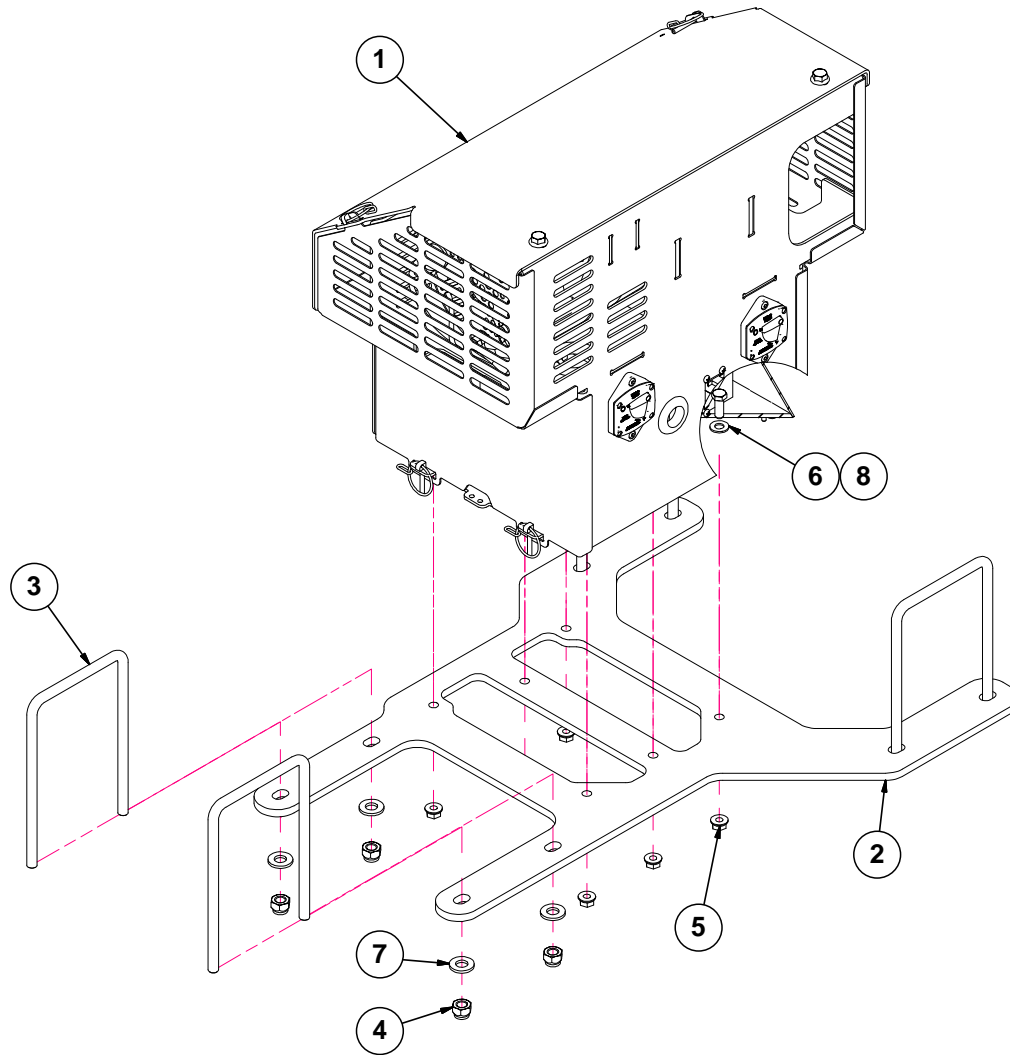


ITEM	PART NO.	QTY.	DESCRIPTION
1	GA24281	1	Docking Station
2	GD35216	1	Display Power Supply Mount
3	GD33756	1	Ram Ball, 2¼"
4	GD36723	1	Havis Station Cord Retainer
5	GD10544	1	Cable Tie, 45-1/2"
6	GA24285	1	Double Socket Ram Arm (Short)
7	GD33757	1	Ram Ball W/Plate, 2¼" Ball
8	GD33758	2	Ram Mount Clamp Block, Top
9	GD33759	2	Ram Mount Clamp Block, Bottom
10	G11106	4	Hex Socket Head Cap Screw, ¼"-20 x 2¼"
11	GA24284	1	Ram Ball W/Base, 2½" Ball
12	GA21143	1	GPS Interface Package
13	G10243001	1	Blue Vantage Tablet
14	GD1512	4	Cable Tie, 7-1/2"
15	G10621	4	Serrated Flange Nut, ¼"-20
16	GA25437	1	DB9 Cable F/F
17	GA25399-36	1	Ethernet Cable (RJ45-Female M12 STR), 36"
18	G10023	4	Hex Head Cap Screw, ¼"-20 x ¾"
19	GD35465	1	DB9 M/M Harness Adapter
20	GD36724	1	Thumb Screw, 4-40 x 0.281



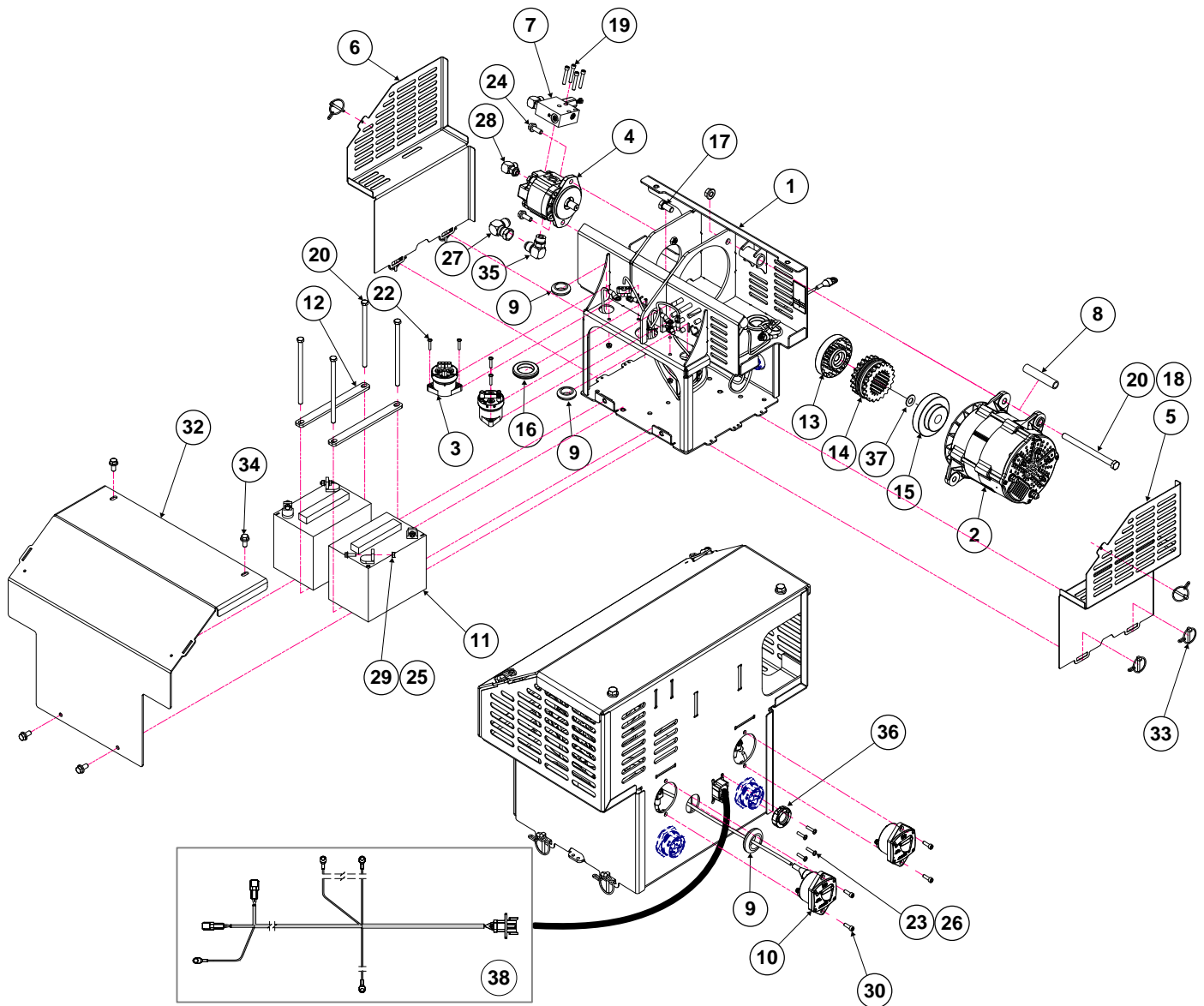
ITEM	PART NO.	QTY.	DESCRIPTION
1	G10201101	1	GPS Kit, 7500
2	---	-	---
3	GA21151	1	GPS Antenna, 6000
4	GA21152	1	GPS Mounting Bracket
5	GA20903	1	GPS Cable, 6000
A	G9421X	-	GPS 6000 Antenna Package (Items 3-5)

(102576)



ITEM	PART NO.	QTY.	DESCRIPTION
1	G10112902	1	<a href="#">See "Power Pack Assembly" on page P212</a>
2	G10257701	1	Power Pack Mounting Bracket
3	GD8306	4	U-Bolt, 7" x 5" x 1/2"-13
4	G10111	8	Lock Nut, 1/2"-13
5	G10622	6	Serrated Flange Nut, 3/8"-16
6	G10001	6	Hex Head Cap Screw, 3/8"-16 x 1"
7	G11389	8	Flat Washer, 1/2" Plated SAE
8	G11387	6	Flat Washer, 3/8" SAE

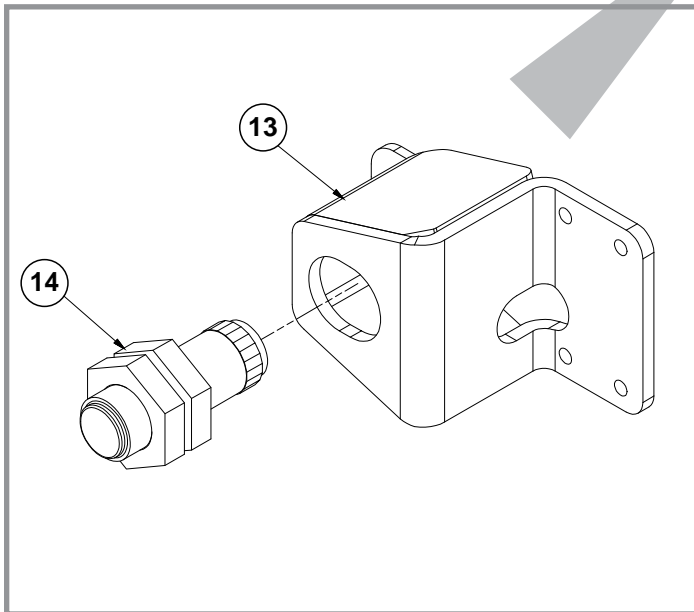
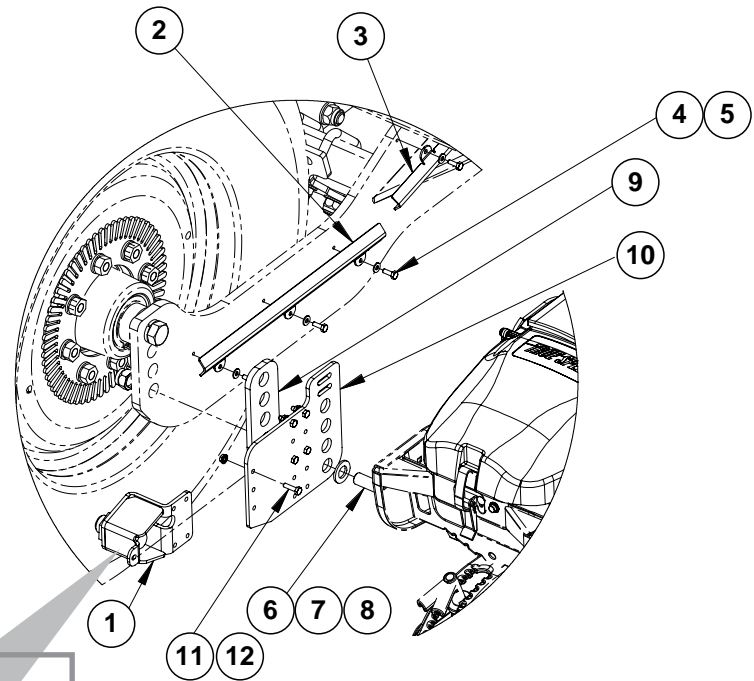
(101129)



ITEM	PART NO.	QTY.	DESCRIPTION
1	GA26839	1	Battery Box
2	GA26673	1	Alternator
3	G10584701	2	Contacter
4	G10169501	1	Hydraulic Motor
	GD30262	-	O-Ring
5	GD36822	1	Battery Box Vent
6	GD36821	1	Battery Box Vent
7	---	-	<a href="#">See "Manifold Hydraulic Block Assembly" on page P171</a>
8	G10318901	1	Sleeve, .80 O.D. x .50 I.D. x 3.85
9	GD22200	3	Grommet, 1"
10	GD28354	2	Circuit Breaker, 100 Amp Panel Mount

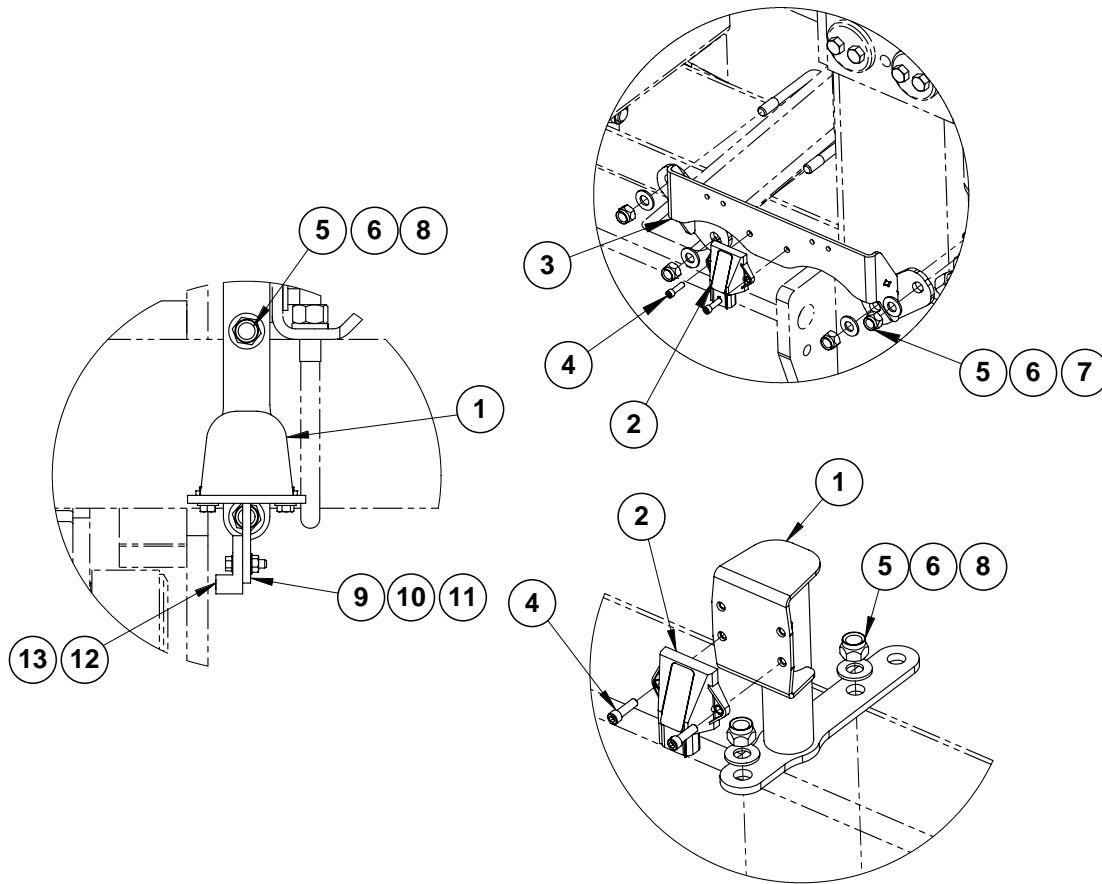
ITEM	PART NO.	QTY.	DESCRIPTION
11	G10478801	2	Battery, 12 Volt
12	G10114001	2	Battery Strap
13	GD36680	1	Coupler Half, .625" Bore
14	GD36681	1	Sleeve W/Retaining Ring
15	GD36682	1	Coupler Half, .875" Bore
16	GR2126	2	1½" Push-In Grommet
17	G10014	1	Hex Head Cap Screw, ½"-13 x 1"
18	G10071	1	Serrated Flange Nut, 1/2"-13
19	G11418	4	Hex Socket Head Cap Screw, ¼" x 1½"
20	G10829	1	Hex Head Cap Screw, ½"-13 x 6 ½"
21	G10954	4	Hex Head Cap Screw, 3/8"-16 x 7"
22	G10992	8	Serrated Flange Nut, No. 10-24
23	G11067	4	Phillips Pan Head Machine Screw, No. 8-32 x 3/4", Stainless Steel
24	G11124	2	Hex Serrated Flange Cap Screw, 3/8"-16 x 1"
25	G11166	4	Hex Socket Flange Cap Screw, ¼"-20 x ¾"
26	G11202	4	Lock Nut W/Nylon Insert, No. 8-32, Stainless Steel
27	G6500-10	1	Swivel Elbow, 90°, 7/8"-14 Male JIC To Female
28	G6801-06	1	Elbow, 90°, 9/16"-18 x 7/16"-20 W/O-Ring
29	G11528	4	Hex Nut W/External Tooth Washer, ¼"-20
30	G11588	4	Hex Socket Head Cap Screw, No. 10-24 x 5/8" Grade 8
31	---	-	---
32	GD36820	1	Battery Box Cover
33	G11339	6	Pin W/Chain
34	G11123	4	Hex Serrated Flange Cap Screw, 3/8"-16 x 3/4"
35	G6801-10	1	Elbow W/O-Ring, 90°, 7/8"-14 Male JIC To O-Ring
36	GD25007	1	Deutsch Cap, Size 24 (Only used with non-Split Row configurations)
37	G11391	1	Flat Washer, 5/8" SAE
38	G10600701	1	Compact Power Pack Sense Harness
A	G10112902	-	Power Pack (Includes Items 1-38)

(106149/100206)



ITEM	PART NO.	QTY.	DESCRIPTION
1	G10020601	1	Sensor Bracket Assembly
2	G10034401	1	Cable Guard Bracket
3	G10034501	1	Cable Guard Bracket
4	G10023	5	Hex Head Cap Screw, 1/4"-20 x 3/4"
5	G11385	5	Flat Washer, 1/4" SAE
6	G10027	1	Hex Head Cap Screw, 3/4"-10 x 2 1/2"
7	G11392	1	Flat Washer, 3/4" SAE
8	G10112	1	Lock Nut, 3/4"-10
9	G10709101	1	Spacer
10	G10069801	1	Jump Start Sensor Bracket
11	G10064	5	Hex Head Cap Screw, 1/4"-20 x 1"
12	G10621	7	Serrated Flange Nut, 1/4"-20
13	G10020501	1	Jump Start Bracket
14	GA13204	1	Sensor, Hall Effect

(106149)

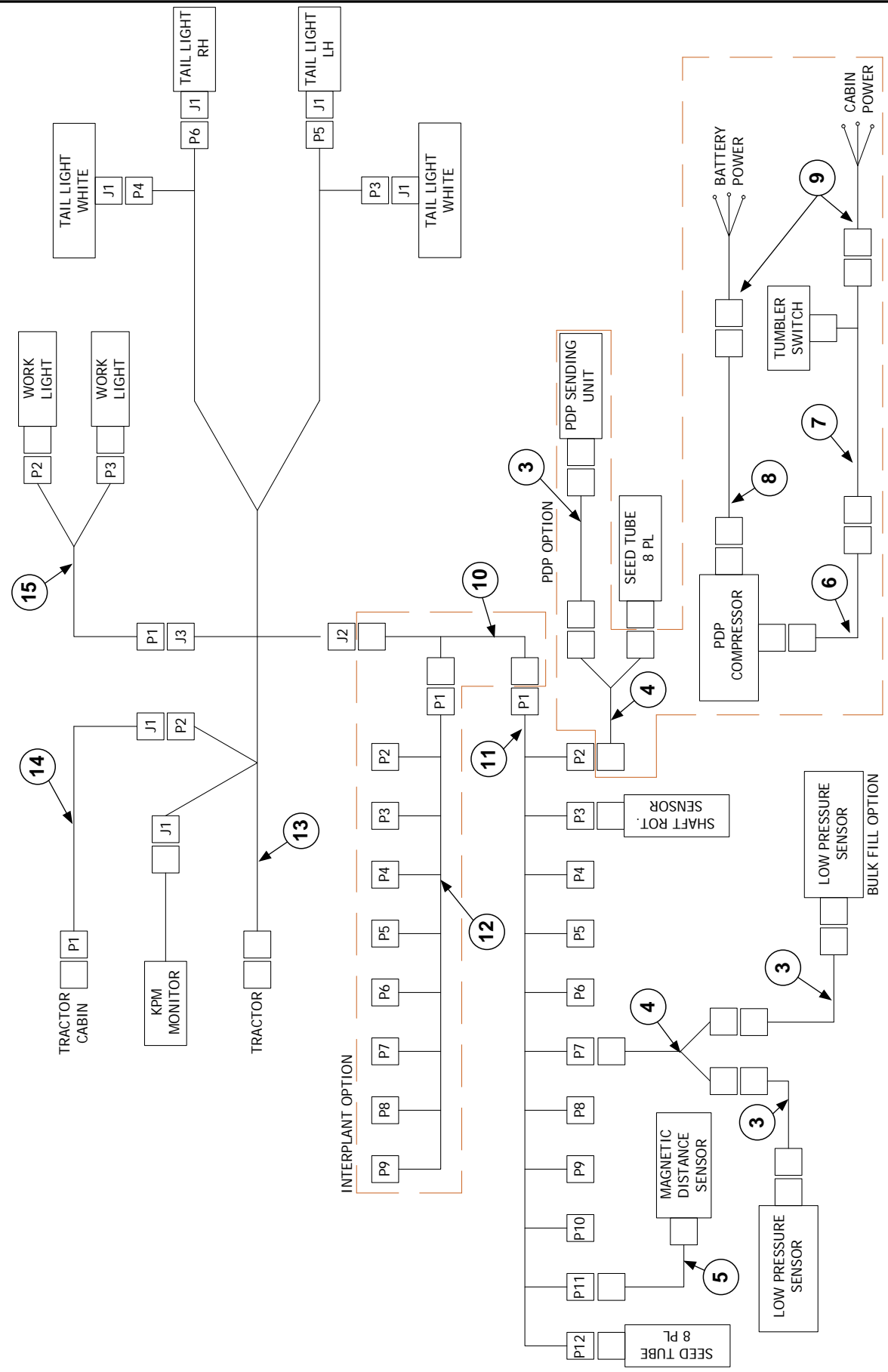


ITEM	PART NO.	QTY.*	DESCRIPTION
1	G10938301	3	IPP Module Mount
2	GA21687	2	IPP Module Assembly
3	GA27185	1	Module Center Mount
4	G10252	6	Hex Socket Head Cap Screw, 1/4"-20 x 7/8", Grade 8
5	G10111	10	Lock Nut, 1/2"-13
6	G11389	10	Flat Washer, 1/2" Plated SAE
7	GD4743	2	U-Bolt, 3" x 3" x 1/2"-13
8	GD8306	3	U-Bolt, 7" x 5" x 1/2"-13
9	G10898401	1	Switch Bracket
10	G10023	2	Hex Head Cap Screw, 1/4"-20 x 3/4"
11	G11385	2	Flat Washer, 1/4" SAE
12	GA18353	1	Magnetic Reed Position Switch
13	G10621	2	Serrated Flange Nut, 1/4"-20
14	G11409	2	Hex Serrated Flanged Cap Screw, 1/4"-20 x 1"

\*Quantities indicated for entire planter.

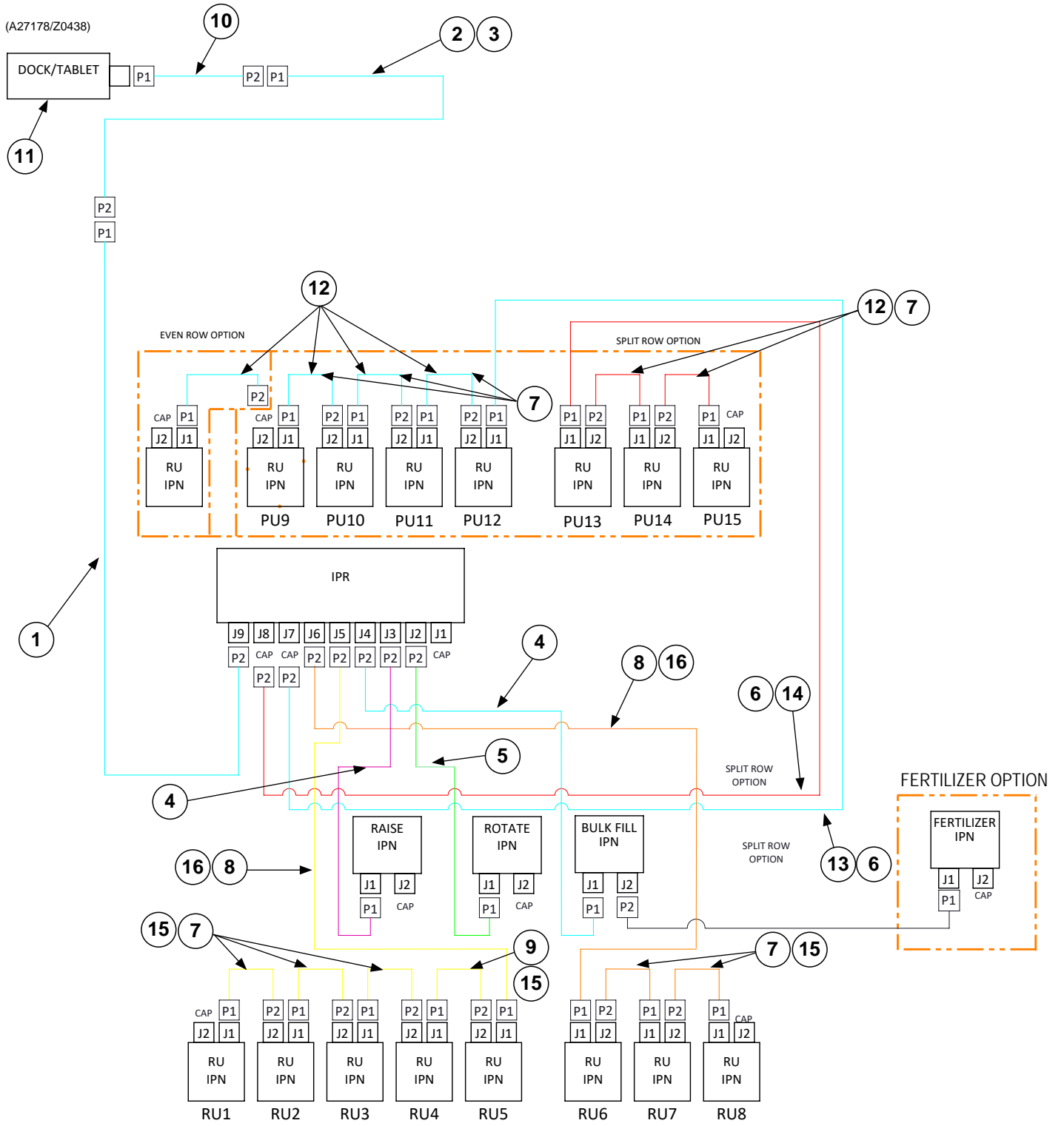


(Z0398)



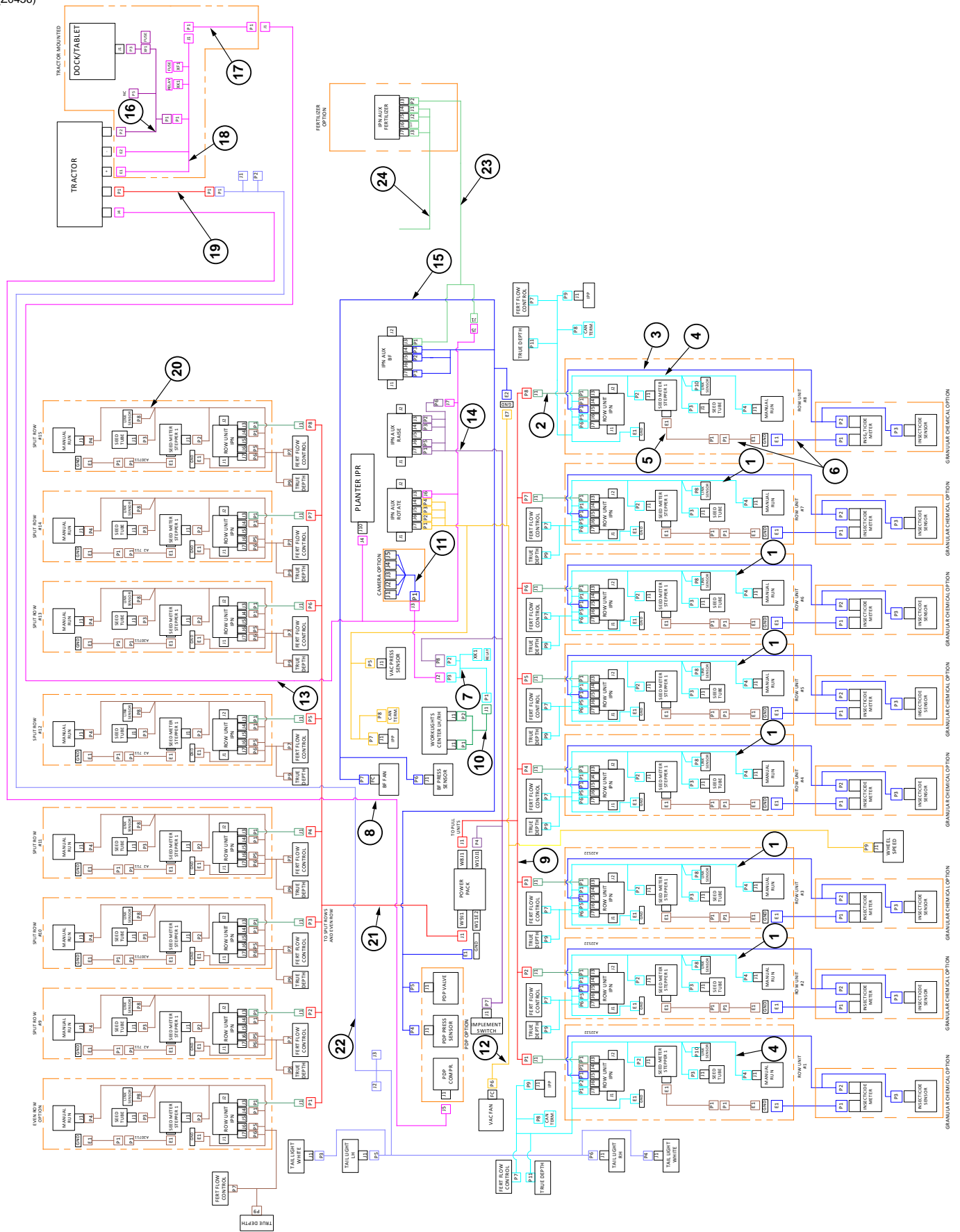
---

ITEM	PART NO.	QTY.	DESCRIPTION
1	---	-	---
2	---	-	---
3	GA12812	3	Hall Effect Adapter
4	---	-	---
5	GA7859	1	Magnetic Distance Sensor Adapter (Analog To Digital)
6	GA12858	1	Wiring Harness, 60'
7	GA13944	1	Wiring Harness W/Fuse Holder And Fuse, 206"
8	GA16391	1	Compressor Harness, 40'
9	GA17547	2	Power Adapter Cable
10	GA7853	1	Y-Connector Harness
11	GA7850	1	Planter Harness W/Dust Caps, 8 Row (12 Connectors)
12	GA8022	1	Planter Harness W/Dust Caps, (9 Connectors)
13	G10316201	1	Light Harness Assembly
14	GA25785	1	Worklight Switch Harness Assembly
15	GA24605	1	Worklight Harness



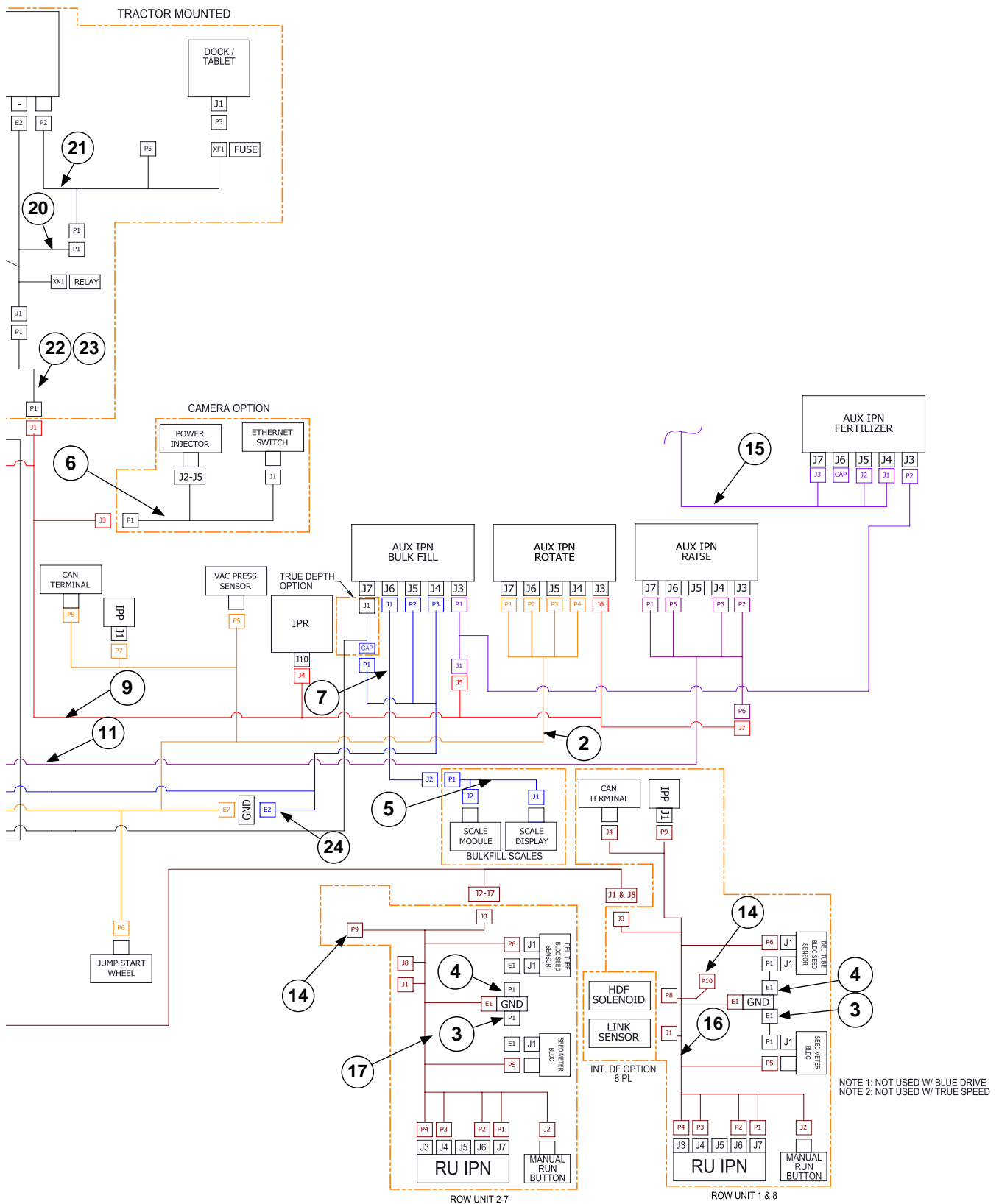
ITEM	PART NO.	QTY.	DESCRIPTION
1	GA22554-325	-	Ethernet Cable (M12 STR-M12 STR), 325"
2	GA22554-265	-	Ethernet Cable (M12 STR-M12 STR), 265"
3	GA22554-375	-	Ethernet Cable (M12 STR-M12 STR), 375"
4	GA22555-20	-	Ethernet Cable (M12 RA-M12 STR), 20"
5	GA24488-27	-	Ethernet Cable (M12 RA-M12 STR), 27"
6	GA22555-90	-	Ethernet Cable (M12 RA SPEC), 90" <b>(Used W/ True Speed)</b>
7	GA22556-91	-	Ethernet Cable (M12 RA-M12 RA), 91" <b>(Used W/ True Rate for RU, Used W/ True Speed for PU)</b>
8	GA22555-94	-	Ethernet Cable (M12 RA-M12 STR), 94" <b>(Used W/ True Rate)</b>
9	GA22556-100	-	Ethernet Cable (M12 RA-M12 RA), 100" <b>(Used W/ True Rate)</b>
10	GA25399-36	-	Ethernet Cable (RJ45-Female M12 STR), 36"
11	GA25406	-	Blue Vantage Dock/Tablet
12	GA24487-100	-	Ethernet Cable (M12 RA-M12 RA), 100" <b>(Used W/ True Rate)</b>
13	GA24488-96	-	Ethernet Cable (M12 RA-M12 STR), 96" <b>(Used W/ True Rate)</b>
14	GA24488-64	-	Ethernet Cable (M12 RA-M12 STR), 64" <b>(Used W/ True Rate)</b>
15	GA22556-134	-	Ethernet Cable, 134" <b>(Used W/ True Speed)</b>
16	GA22555-115	-	Ethernet Cable (M12 RA SPEC), 115" <b>(Used W/ True Speed)</b>

(Z0436)



ITEM	PART NO.	QTY.	DESCRIPTION
1	G10864901	-	Row Unit Seed Meter Harness
2	GA25029	-	Row Unit Power Extension Harness
3	GA22522	-	Insecticide Harness
4	G10864801	-	Push Unit Seed Meter Harness
5	GA20711	-	Seed Meter Motor ESD Drain Harness
6	GA20712	-	Row Unit ESD Drain Harness
7	GA22547	-	Worklight Relay Harness
8	GA16391	-	Compressor Harness, 40'
9	GA26886	-	Row Unit Power Harness
10	GA26885	-	Worklight Harness
11	G10269201	-	Camera Power Harness
12	G10074801	-	Rotation Harness
13	G10331601	-	Power Harness
14	G10478901	-	Raise Harness
15	GA26884	-	Bulk Fill PDP Harness
16	GA25031	-	Tractor Console Harness
17	GA25032	-	Tractor Power Harness Extension, 10' (Included)
	GA25033	-	Tractor Power Harness Extension, 16' (Optional)
18	GA25030	-	Tractor Power Harness
19	GA25170	-	EU Tail Light Extension Harness
	GA25207	-	US Tail Light Extension Harness
20	G10884801	-	Row Unit Seed Meter Harness
21	G10074701	-	Row Unit Split Row Power Harness
22	G10316201	-	Tail Lights Harness
23	G10698001	-	Fertilizer IPN Power Harness
24	G10851201	-	Fertilizer Module Harness

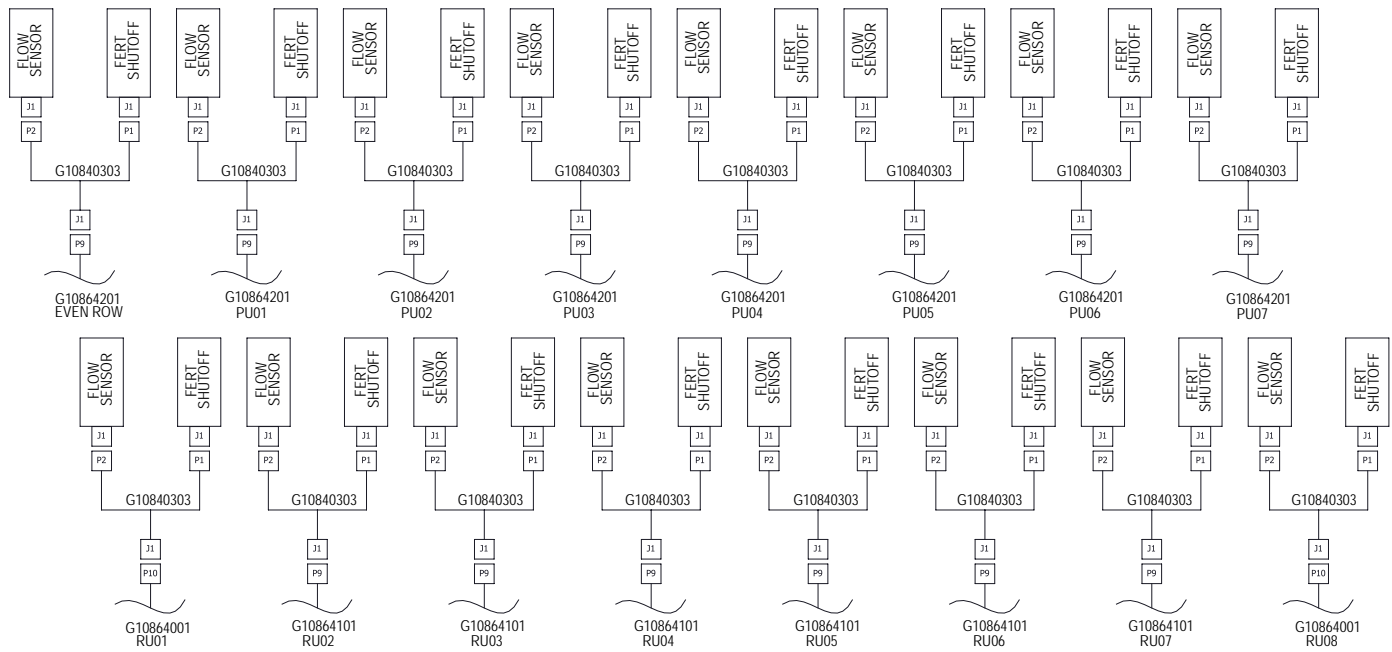






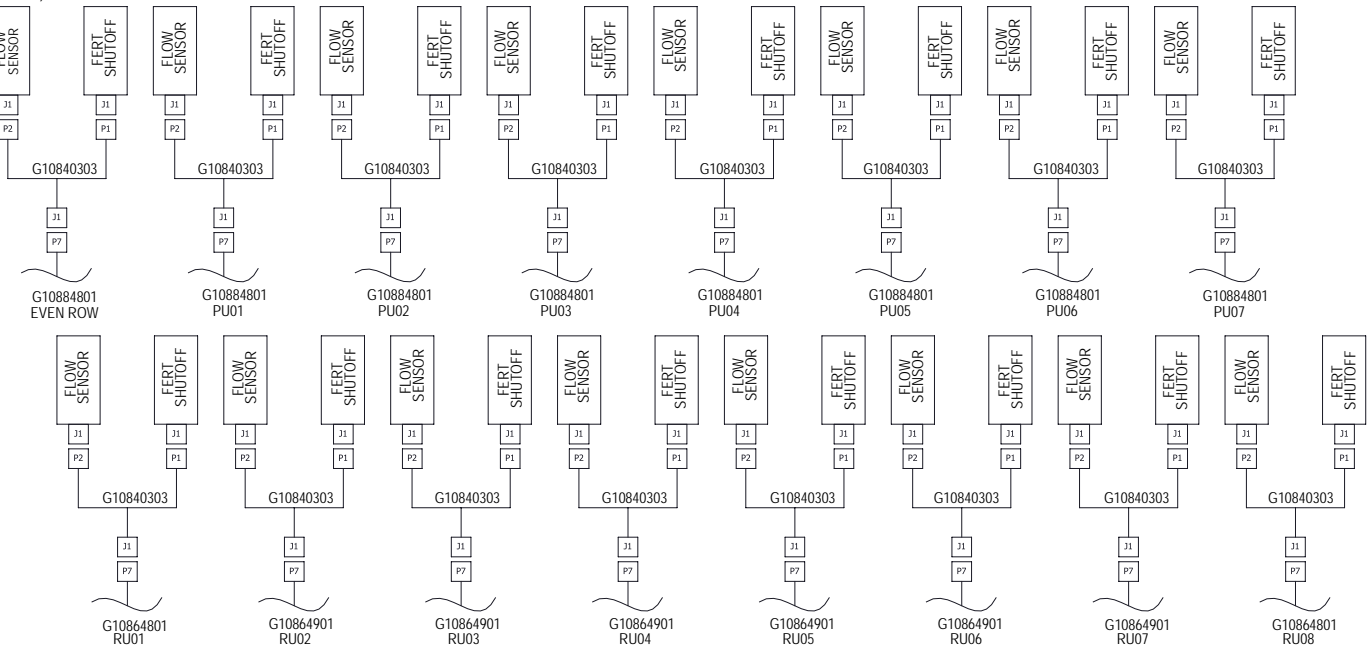
ITEM	PART NO.	QTY.	DESCRIPTION
1	G10049501	-	Tractor Battery Connection Harness and Fuse Kit
2	G10074801	-	Rotation Harness
3	G10213601	-	ESD Ground Strap Harness, True Speed
4	G10213602	-	ESD Ground Strap Harness, True Speed
5	G10242801	-	Bulk Fill Scale CAN PHD28 Cable
6	G10269201	-	Camera Power Harness
7	G10286102	-	CAN Stub Harness
8	G10316201	-	Tail Lights Harness
9	G10331601	-	Aux IPN 12V Power Harness
10	G10337001	-	Integrated True Depth Harness
11	G10478901	-	Raise IPN Harness
12	G10649801	-	PTO Harness
13	G10724901	-	PTO Tractor Power Harness
14	G10821801	-	<a href="#">See "BV Liquid Fertilizer Interconnect" on page P225</a>
15	G10851201	-	Fertilizer Module Harness
16	G10864001	-	True Speed Row Unit Harness W/ IPP
17	G10864101	-	True Speed Pull Unit Harness
18	G10864201	-	True Speed Push Unit Harness
19	GA22547	-	Worklight Relay Harness
20	GA25030	-	Tractor Power Harness
21	GA25031	-	Tractor Console Harness
22	GA25032	-	Tractor Power Harness Extension, 10' (Included)
23	GA25033	-	Tractor Power Harness Extension, 16' (Optional)
24	GA26884	-	Bulk Fill PDP Harness
25	GA26885	-	Worklight Wire Harness
26	GA26886	-	Row Unit Power Harness

(108218)



ITEM	PART NO.	QTY.	DESCRIPTION
-	G10840303	-	Fertilizer Row Unit Extension Harness, 66"
-	G10864201	-	True Speed Push Unit Harness
-	G10864001	-	True Speed Row Unit Harness W/ IPP
-	G10864101	-	True Speed Pull Unit Harness

(108218)



ITEM	PART NO.	QTY.	DESCRIPTION
-	G10840303	-	Fertilizer Row Unit Extension Harness, 66"
-	G10884801	-	Row Unit Seed Meter Harness
-	G10864801	-	Row Unit Seed Meter Harness W/ IPP
-	G10864901	-	Row Unit Seed Meter Harness

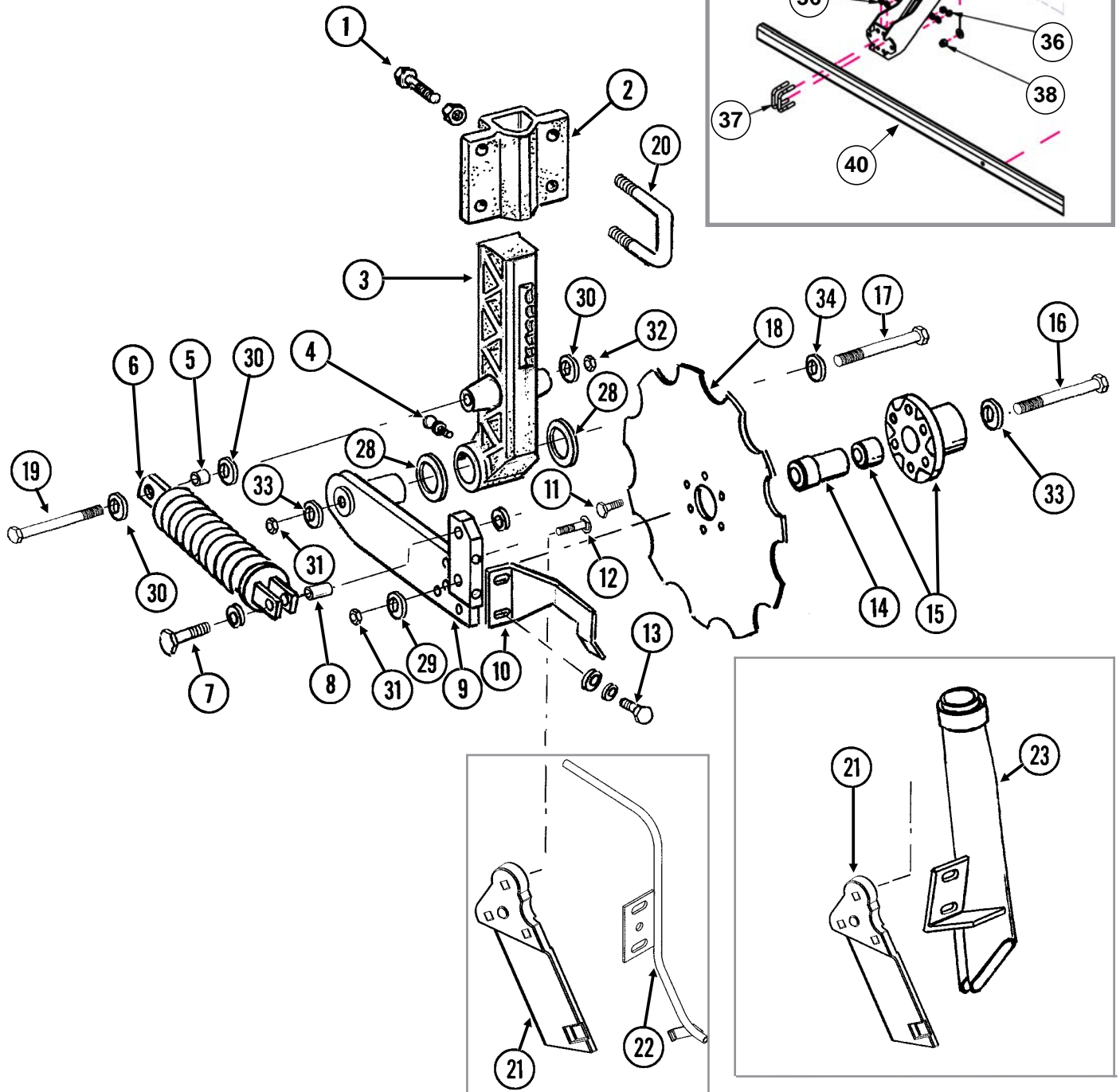
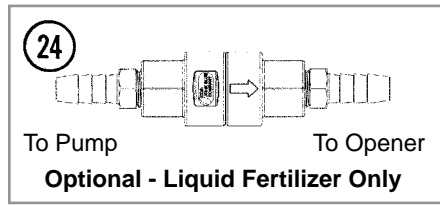
# Notched Single Disc Fertilizer Opener

M0311-02

Model 3505

FOC018(TWL34e/TWL34f/TWL34g/FRTZ268b/FRTZ208)

**NOTE: R.H. and L.H. is determined by which side of blade it is on in the direction of travel.**



## Notched Single Disc Fertilizer Opener

Model 3505

M0311-02

ITEM	PART NO.	QTY. (Per Assy.)	DESCRIPTION
1	G10017	3	Hex Head Cap Screw, ½"-13 x 1½"
	G10102	3	Hex Nut, ½"-13
2	GB0405	1	Mount, L.H.
	GB0400	-	Mount, R.H. (Shown)
3	GB0296	1	Arm, 13 ½"
4	G10640	1	Grease Fitting, ¼"-28
5	GD12685	1	Bushing, ¾" O.D. x ½" Long
6	GA6966	1	Compression Spring Assembly
7	G10047	1	Hex Head Cap Screw, ⅜"-16 x 1¾"
	G11387	2	Flat Washer, ⅜" SAE
	G10108	1	Lock Nut, ⅜"-16
8	GD1026	1	Sleeve, 1⅜" Long
9	GA9433	1	Pivot Arm, L.H. (Shown)
	GA9434	-	Pivot Arm, R.H.
10	GD11557	1	Scraper, L.H. (Shown)
	GD11558	-	Scraper, R.H.
11	G10002	6	Hex Head Cap Screw, ⅜"-16 x ¾"
12	G10306	3	Carriage Bolt, ⅜"-16 x 2"
	G10108	3	Lock Nut, ⅜"-16
13	G10991	2	Hex Head Cap Screw, ⅝"-18 x ⅞"
	G10232	2	Lock Washer, ⅝"
	G11386	6	Flat Washer, ⅝" SAE
14	GD12679	1	Stepped Spacer, 3" Long
15	GA9437	1	Hub W/Bearing
	GA8603	-	Bearing, Double Row (Included W/GA9437)
16	G10011	1	Hex Head Cap Screw, ⅝"-11 x 5½"
17	G10046	1	Hex Head Cap Screw, ⅝"-11 x 5"
18	GD12676	1	Disc Blade, Notched, 16¾"
19	G10871	1	Hex Head Cap Screw, ½"-13 x 6"
20	GD13287	2	U-Bolt, 1½" x 2½" x ½"-13
	G11389	4	Flat Washer, ½" Plated SAE
	G10111	4	Lock Nut, ½"-13
21	GB0323	1	Knife, L.H. (Shown)
	GB0322	-	Knife, R.H.
22	GA12108	1	Drop Tube, Liquid Fertilizer (Shown)
	GA12109	-	Drop Tube, Liquid Fertilizer
23	GA10047	1	Drop Tube, L.H., Dry Fertilizer
	GA10048	-	Drop Tube, R.H., Dry Fertilizer (Shown)
27	GA9820	1	Opener Mount (Included W/GA9820)
	GD1113	2	U-Bolt, 5" x 7" x ⅝"-11 (Included W/GA9820)
	G10230	4	Lock Washer, ⅝" (Included W/GA9820)
	G10104	4	Hex Nut, ⅝"-11 (Included W/GA9820)
28	G10450	-	Machine Bushing, 1½", 18 Gauge (As Required)
29	GD12677	1	Washer, 1½" O.D., 7 Gauge, Hardened
30	G11389	-	Flat Washer, ½" Plated SAE
31	G10107	-	Lock Nut, ⅝"-11
32	G10111	-	Lock Nut, ½"-13
33	G11391	-	Flat Washer, ⅝" SAE
34	G10217	-	Washer, ⅝" USS
35	GA25749	6	Mount

Continued on the next page.

# Notched Single Disc Fertilizer Opener

M0311-02

Model 3505

---

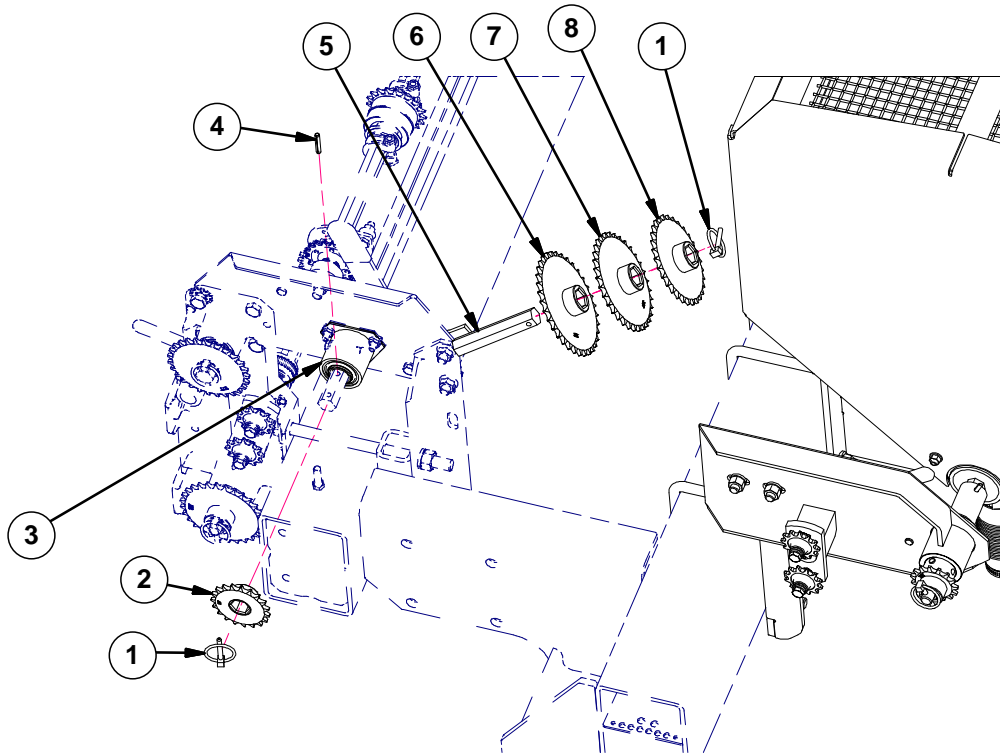
ITEM	PART NO.	QTY. (Per Assy.)	DESCRIPTION
36	G11389	24	Flat Washer, 1/2" Plated SAE
	G10111	26	Lock Nut, 1/2"-13
37	GD13287	12	U-Bolt, 1-1/2" x 2-1/2" x 1/2"-13
38	G10107	12	Lock Nut, 5/8"-11
	G11391	12	Flat Washer, 5/8" SAE
39	GD1113	6	U-Bolt, 5" x 7" x 5/8"-11
40	GD35732	2	Tube

# Dry Fertilizer Transmission Sprockets

Model 3505

M0311-02

(A25750)



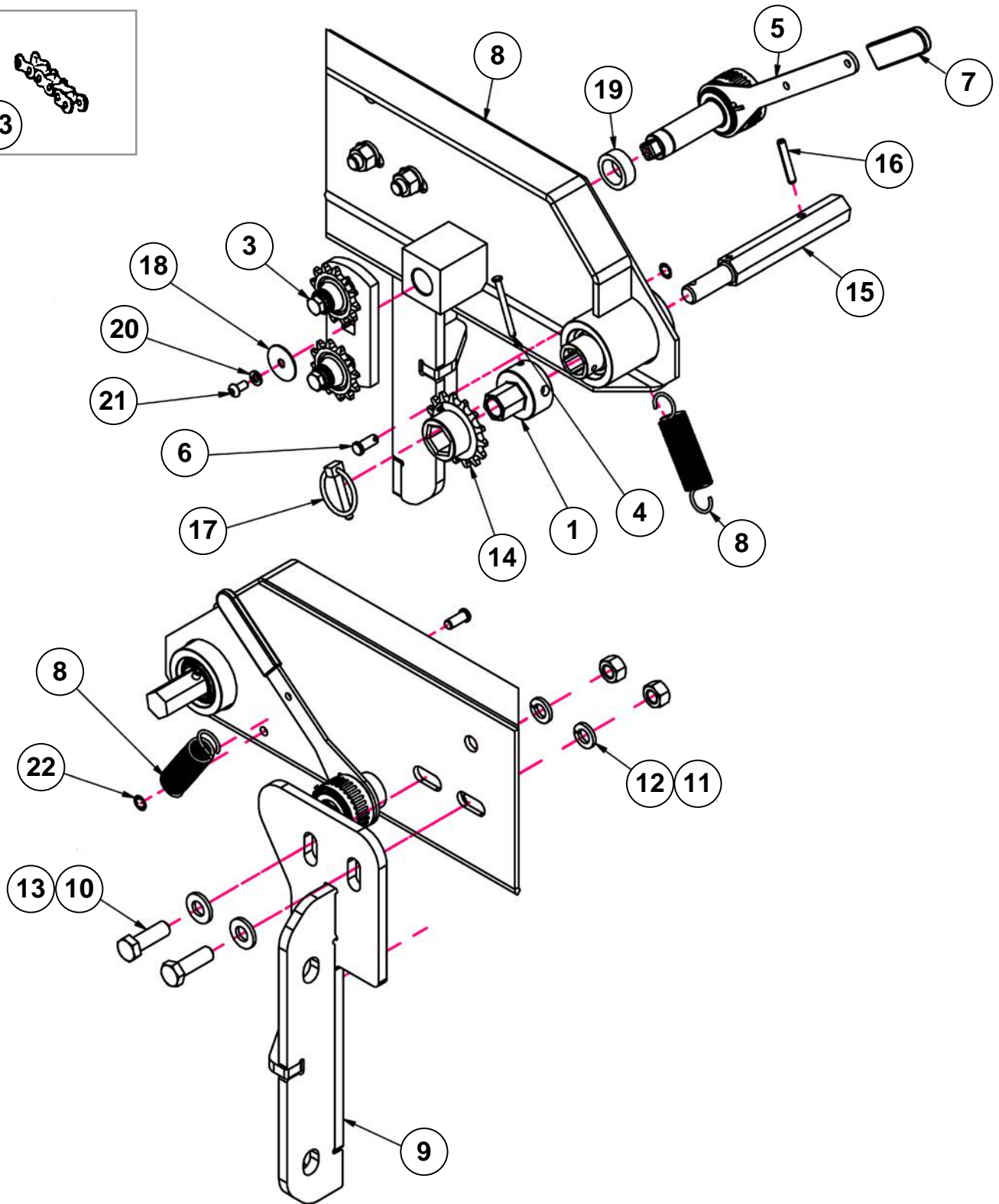
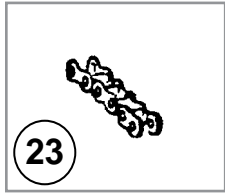
ITEM	PART NO.	QTY.	DESCRIPTION
1	GD2558	2	Lynch Pin, 1/4"
2	GA5107	1	Sprocket, 19 Tooth
3	GA5223	1	Spacer W/Bearing
4	G10602	1	Spring Pin, 1/4" x 1 1/2"
5	GA5229	1	Sprocket Storage Rod
6	GA6337	1	Sprocket, 35 Tooth
7	GA5115	1	Sprocket, 33 Tooth
8	GA5114	1	Sprocket, 30 Tooth

# Dry Fertilizer Transmission Assembly

M0311-02

Model 3505

(A26139)





## Dry Fertilizer Transmission Assembly

Model 3505

M0311-02

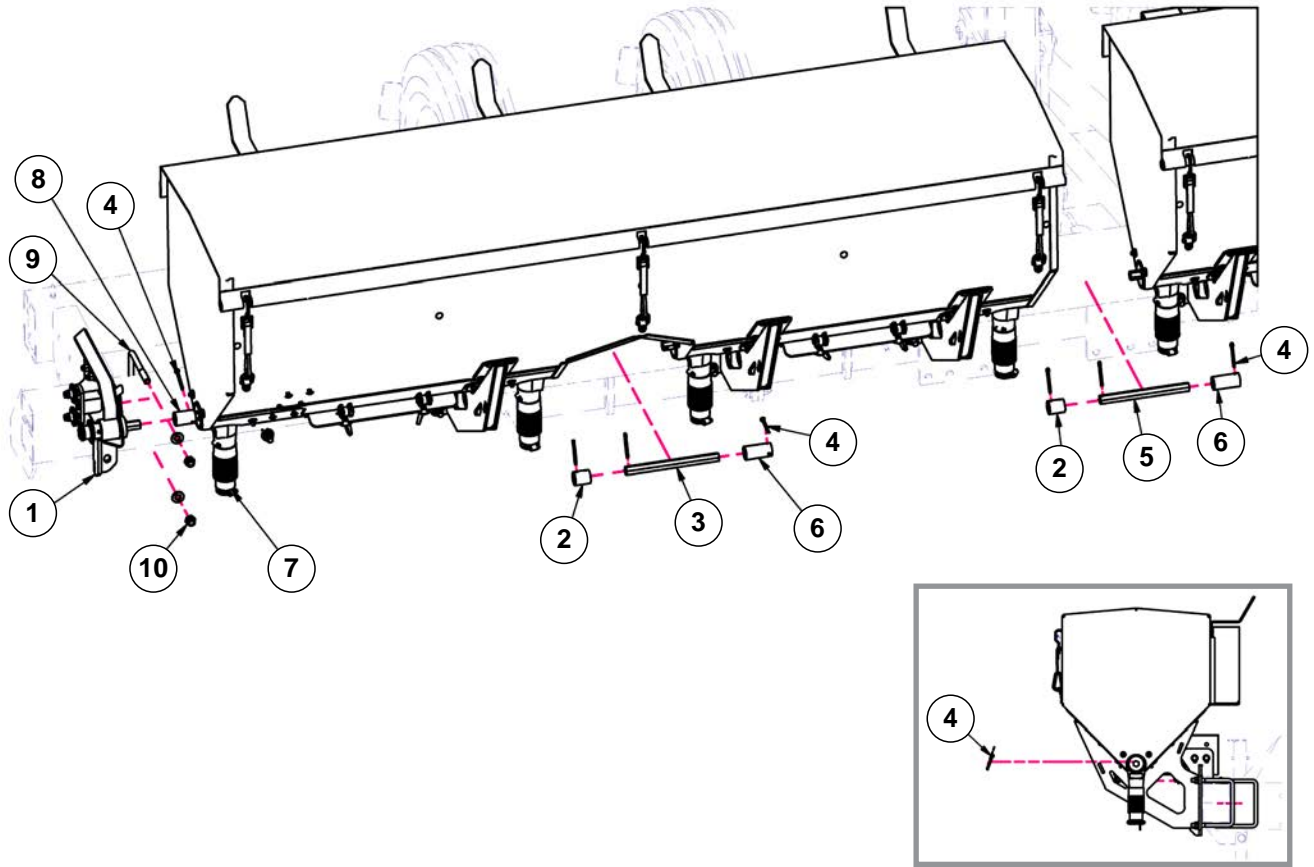
ITEM	PART NO.	QTY.	DESCRIPTION
1	GD7127	1	Shear Coupler
2	GA10030	1	Spring
3	GA7336	1	Idler
4	G10821	1	Clevis Pin, 3/16" x 2"
5	GD5857	1	Spring
6	G10408	1	Clevis Pin, 5/16" x 3/4"
7	G11078	1	Vinyl Cap
8	GA6579	1	Transmission Assembly
9	GA25892	1	Transmission Mount
10	G11389	2	Flat Washer, 1/2" Plated SAE
11	G10102	2	Hex Nut, 1/2"-13
12	G10228	2	Lock Washer, 1/2"
13	G10017	2	Hex Head Cap Screw, 1/2"-13 x 1 1/2"
14	GA5105	1	Sprocket, 15 Tooth
15	GD7870	1	Shaft, 7"
16	G10602	1	Spring Pin, 1/4" x 1 1/2"
17	GD2558	1	Lynch Pin, 1/4"
18	G11453	1	Fender Washer, 1/4"
19	GD2734-18	1	Sleeve, 1 1/4" O.D. x 7/16" Long
20	G10227	1	Lock Washer, 1/4"
21	G11100	1	Hex Socket Button Head Cap Screw, 1/4"-20 x 1/2", Grade 8
22	G10409	1	Retaining Ring, 5/16"
23	G3310-172	1	Chain, No. 40, 172 Pitch Including Connector Link And Offset Link

# Dry Fertilizer Couplers/Shfts

M0311-02

Model 3505

(A25750)



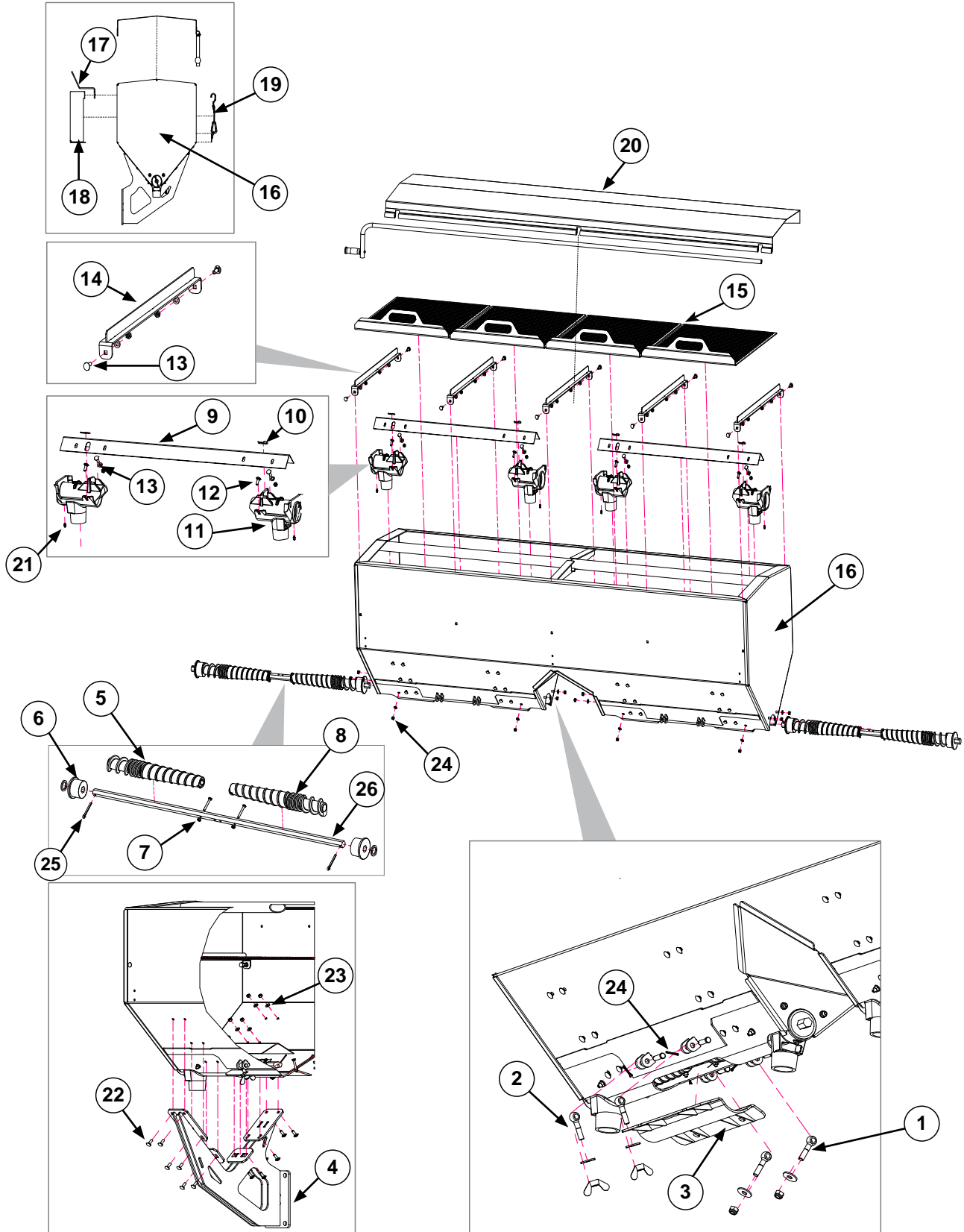
ITEM	PART NO.	QTY.	DESCRIPTION
1	---	-	<a href="#">See "Dry Fertilizer Transmission Assembly" on page P231</a>
	G3310-172	1	Chain No. 40, 172 Pitch
2	GD5886	3	Coupler, 1 3/4"
3	GD2548-10.75	2	Hex Shaft, 7/8" x 10 3/4" (1 Hole)
4	G10460	11	Cotter Pin, 1/4" x 2"
5	GD2548-10.25	1	Hex Shaft, 7/8" x 10 1/4" (1 Hole)
6	GD7867	3	Coupler, 3"
7	GA21239	8	Hose with clamps
8	GD5961	1	Coupler, 2-1/4"
9	GD1113	1	U-Bolt, 5" x 7" x 5/8"-11
10	G11391	2	Flat Washer, 5/8" SAE
	G10107	2	Lock Nut, 5/8"-11

# Dry Fertilizer Hopper and Mounts

Model 3505

M0311-02

(A25910)



## Dry Fertilizer Hopper and Mounts

M0311-02

Model 3505

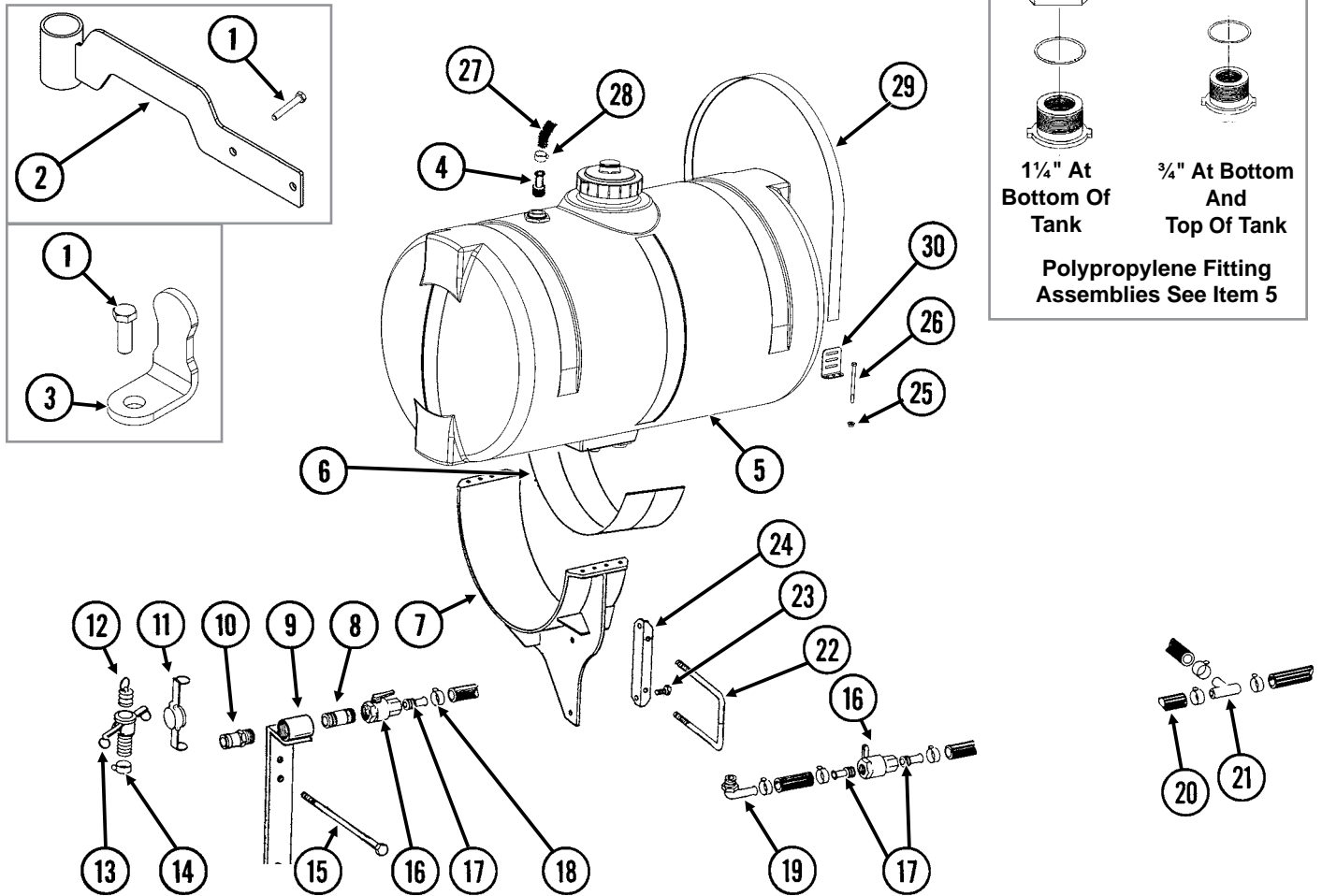
ITEM	PART NO.	QTY.	DESCRIPTION
1	G12215	4	Bolt, M12 x 60
	G12217	4	Washer, M12
	G12218	4	Lock Nut, M12
2	G12215	4	Bolt, M12 x 60
	G12217	4	Washer, M12
	G12216	4	Wing Lock Nut, M12
3	GA25908	2	Fertilizer door
4	GA25753	4	Mount
	GD1862	-	Tank Pad, 8" x 14' Roll
5	GB0199	1	Auger, L.H.
6	GB0200	2	Bearing
	G10233	2	Machine Bushing, 1 1/2" x 1/32", 10 Gauge (.1345")
7	G10103	2	Hex Nut, 1/4"-20
	G10638	2	Hex Head Cap Screw, 1/4"-20 x 2"
8	GB0198	1	Auger, R.H.
9	GD1207	2	Baffle
10	G10670	2	Hair Pin Clip, No. 3
11	GD1200	4	Outlet Housing
12	G11942	2	Bolt, 5/16"-18 x 1"
13	G10379	2	Washer, 5/16"
	G11950	2	Hex Nut, 5/16"-18
	G11942	2	Bolt, 5/16"-18 x 1"
14	GA25757	5	Stiffener
15	GA25909	4	Screen
16	GA27037	1	Hopper
17	GD35717	4	Clamp Catchers
18	GA27124	1	Clean-out Chute with Hooks
	GD35937	1	Clean-out Chute Bracket
	G10379	10	Flat Washer, 5/16"
	G11950	10	Hex Nut, 5/16"-18
	G11942	10	Bolt, 5/16"-18 x 1"
19	GD35684	3	Tie Down Ring .79" x 2.17"
	GD35667	3	Carabiner
	G11473	6	Hex Head Cap Screw, 1/4"-20 X 1/2"
	G10588	6	Hex Nut, 1/4"-20, Stainless Steel
20	GA25902	1	Handle
	GA25758	1	Tarp
	G11924	4	Hex Head Non Serrated Flange Self-Drilling Screw, No. #6-20 x 3/8"
	G10243	4	Flat Washer, No. 10 SAE
21	G10640	2	Lube Fitting, Straight, Short, 1/4"-28
22	G11942	12	Bolt, 5/16"-18 x 1"
23	G10379	12	Washer, 5/16"
	G11950	12	Hex Nut, 5/16"-18
24	G10451	8	Cotter Pin, 1/8" x 1"
	G11966	8	Clevis Pin, 7/16" x 1-1/2"
25	G10460	2	Cotter Pin, 1/4" x 2"
26	GD36260	1	Hex Fertilizer Auger Shaft, .875" x 43.75

# Liquid Fertilizer Tanks, Saddles, Mounts, Hoses, and Fittings

Model 3505

M0311-02

LFC012rev(FRTZ201e/PT51/TWL62C)



ITEM	PART NO.	QTY.	DESCRIPTION
1	G10004	-	Hex Head Cap Screw, 3/8"-16 x 1 1/4"
	G11091	-	Serrated Flange Nut, 3/8"-16
2	GA14112	2	Hose Guide
3	GD20060	2	Hose Bracket
4	G10626	-	Adapter, 1 1/4" NPT To Barb
5	GA14049	2	Tank W/Sealed Lid and Fittings, 150 Gallon
	GA16428	1	Lid, 7" W/Vacuum Breaker (Included W/GA14049)
	GA16157	1	Vacuum Breaker (Included W/GA16428)
	GR1708	-	3/4" Bulkhead Overflow Fitting Assembly (Overflow Fitting, Nut, Bushing, And O-Ring) (Top And Bottom Of Tank) (Included W/GA14049)
	GR0508	-	1 1/4" Polypropylene Fitting Assembly (Nut, Bushing, and O-Ring) (Bottom Of Tank) (Included W/GA14049)
	GR1941	1	Lid Seal (Included W/GA14049)
6	GD1862	1	Pad, 8" x 14' (For Two 30" Tanks)
7	GA7375	-	Tank Mount (2 Per Tank)
8	G10619	-	Close Nipple, 1 1/4" NPT
9	GA5917	1	Quick Fill Mount
10	GD1514	1	Adapter, 1 1/4" Male NPT To Cam Lock
11	GD1515	1	Dust Cap, 1 1/4" Cam Lock
12	GD1517	1	Dust Plug, 1 1/4" Male Cam Lock
13	GD1516	1	Adapter, 1 1/4" Barb To Female Cam Lock

## Liquid Fertilizer Tanks, Saddles, Mounts, Hoses, and Fittings

M0311-02

Model 3505

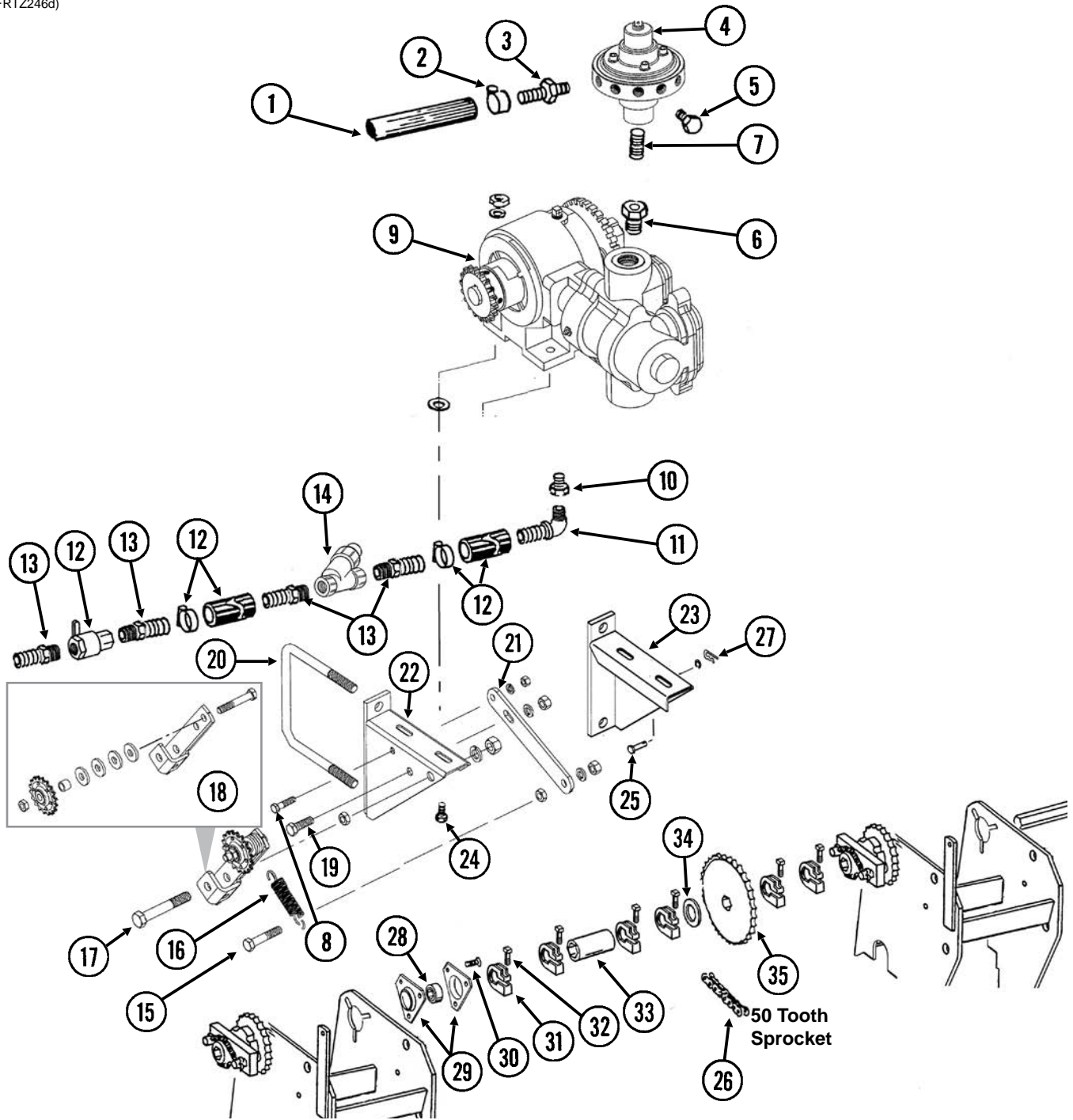
ITEM	PART NO.	QTY.	DESCRIPTION
14	G10672	1	Hose Clamp, No. 28
15	G10829	2	Hex Head Cap Screw, 1/2"-13 x 6 1/2" (Used Between Light Assembly And Quick Fill Mount)
	G11389	2	Flat Washer, 1/2" SAE
	G10228	2	Lock Washer, 1/2"
	G10102	2	Hex Nut, 1/2"-13
16	GA4976	-	Shutoff Valve, 1 1/4" NPT
	GR1015	-	Body O-Ring (Included W/GA4976)
	GR1016	-	Stem O-Ring (Included W/GA4976)
	GR1017	-	Teflon Seat (Included W/GA4976)
	GR1018	-	Ball (Included W/GA4976)
	GR1019	-	Handle (Included W/GA4976)
17	G10626	-	Adapter, 1 1/4" NPT To Barb
18	G10674	-	Hose Clamp, No. 24
19	G10629	2	Elbow, 90°, 1 1/4" NPT To Barb
20	G4200-02	1	Hose, 1 1/4" x 27', 6 Row 30"
	G4200-03	-	Hose, 1 1/4" x 32', 8 Row 30"
21	G10633	1	Tee, 1 1/4" Barb
22	GD1747	4	U-Bolt, 5" x 7" x 3/4"-10
	G10231	8	Lock Washer, 3/4"
	G10105	8	Hex Nut, 3/4"-10
23	G10007	-	Hex Head Cap Screw, 5/8"-11 x 1 1/2"
	G10230	-	Lock Washer, 5/8"
	G10104	-	Hex Nut, 5/8"-11
24	GD10110	-	Mounting Angle (2 Per Tank)
25	G10901	16	Lock Nut, 3/8"-16
26	G10485	16	Hex Head Tap Bolt, 3/8"-16 x 5"
27	G4602-01	1	Black Helix Hose, 1 1/4" x 18'
28	G10674	4	Hose Clamp, No. 24
29	GD11124	4	Strap, 84"
30	GD11123	8	Anchor (Sub GA8114)

# Liquid Fertilizer Piston Pump Mounting Brackets and Driveline

Model 3505

M0311-02

(FRTZ246d)



ITEM	PART NO.	QTY.	DESCRIPTION
1	G4301-02	-	Hose, 3/8" x 50', 6 Row 30"
	G4301-04	-	Hose, 3/8" x 100', 8 Row 30"
2	G10681	8	Hose Clamp, No. 6 (As Required)
3	GD11700	-	Adapter, 1/4" NPT To 3/8" Barb (As Required)
4	---	-	<a href="#">See "Liquid Fertilizer Piston Pump Flow Divider" on page P242</a>
5	G10292	-	Pipe Plug, 1/4" NPT (As Required)
6	G11237	1	Reducing Bushing, 1 1/2" Male NPT To 3/4" Female
7	G10994	1	Close Nipple, 3/4" NPT, Stainless Steel



## Liquid Fertilizer Piston Pump Mounting Brackets and Driveline

M0311-02

Model 3505

ITEM	PART NO.	QTY.	DESCRIPTION
8	G10003	1	Hex Head Cap Screw, 3/8"-16 x 1 1/2"
	G10229	1	Lock Washer, 3/8"
	G10101	1	Hex Nut, 3/8"-16
9	---	-	<a href="#">See "Liquid Fertilizer Piston Pump Uses 18 Tooth Sprocket" on page P240</a>
10	G10615	1	Reducing Bushing, 1 1/2" Male NPT To 1 1/4" Female
11	G10629	1	Elbow, 90°, 1 1/4" NPT To Barb
12	---	-	<a href="#">See "Liquid Fertilizer Tanks, Saddles, Mounts, Hoses, and Fittings" on page P236</a>
13	G10626	4	Adapter, 1 1/4" NPT To Barb
14	GA3893	1	Strainer Complete
	GR0880	-	Screen, No. 40 Mesh (Included W/GA3893)
	GR0881	-	Gasket (Included W/GA3893)
	GR0882	-	Y-Body (Included W/GA3893)
	GR0883	-	End Cap (Included W/GA3893)
15	G10053	1	Hex Head Cap Screw, 1/2"-13 x 2 1/2"
	G10228	1	Lock Washer, 1/2"
	G10501	1	Hex Jam Nut, 1/2"-13, Grade 2
	G10102	1	Hex Nut, 1/2"-13
16	GD5857	1	Spring
17	G10036	1	Hex Head Cap Screw, 5/8"-11 x 4"
	G10230	1	Lock Washer, 5/8"
	G10503	1	Hex Jam Nut, 5/8"-11, Grade 2
	G10104	1	Hex Nut, 5/8"-11
18	GA11024	1	Idler W/Sprocket And Hardware
	GA7154	1	Sprocket W/Bearing, 18 Tooth (Included W/GA11024)
	G10038	1	Hex Head Cap Screw, 1/2"-13 x 3" (Included W/GA11024)
	G10168	4	Machine Bushing, 1/2", 7 Gauge (Included W/GA11024)
	GD11158	1	Spacer, 3/4" O.D. x 5/16" Long (Included W/GA11024)
	G10501	1	Hex Jam Nut, 1/2"-13, Grade 2 (Included W/GA11024)
19	G10037	1	Hex Head Cap Screw, 1/2"-13 x 1 1/4"
	G10228	1	Lock Washer, 1/2"
	G10102	1	Hex Nut, 1/2"-13
20	GD1113	2	U-Bolt, 5" x 7" x 5/8"-11
	G10230	4	Lock Washer, 5/8"
	G10104	4	Hex Nut, 5/8"-11
21	GD16157	1	Bracket
22	GA10603	1	Pump Mount, L.H.
23	GA4620	1	Pump Mount, R.H.
24	G10001	4	Hex Head Cap Screw, 3/8"-16 x 1"
	GR1122	4	Mounting Pad
	G11387	4	Flat Washer, 3/4" SAE
	G10229	4	Lock Washer, 3/8"
	G10101	4	Hex Nut, 3/8"-16
25	G10478	1	Clevis Pin, 5/16" x 1"
	G10409	1	Retaining Ring, 5/16"
26	G3310-88	1	Chain, No. 40, 88 Pitch Including Connector Link
	GR0912	-	Connector Link, No. 40
27	G10670	1	Hair Pin Clip, No. 3
28	G2100-03	1	Bearing, 7/8" Hex Bore, Spherical
29	G3400-01	2	Flangette
30	G10303	3	Carriage Bolt, 5/16"-18 x 1"
	G10620	3	Serrated Flange Nut, 5/16"-18
31	GD11045	5	Lock Clamp
32	G10130	5	Square Head Machine Bolt, 5/16"-18 x 1 3/4"
	G10923	5	Flange Nut, 5/16"-18, No Serration
33	GD1719	1	Coupler, 4"
34	G10233	1	Machine Bushing, 1 1/2" x 1/32", 10 Gauge
35	GA5194	1	Sprocket, 50 Tooth



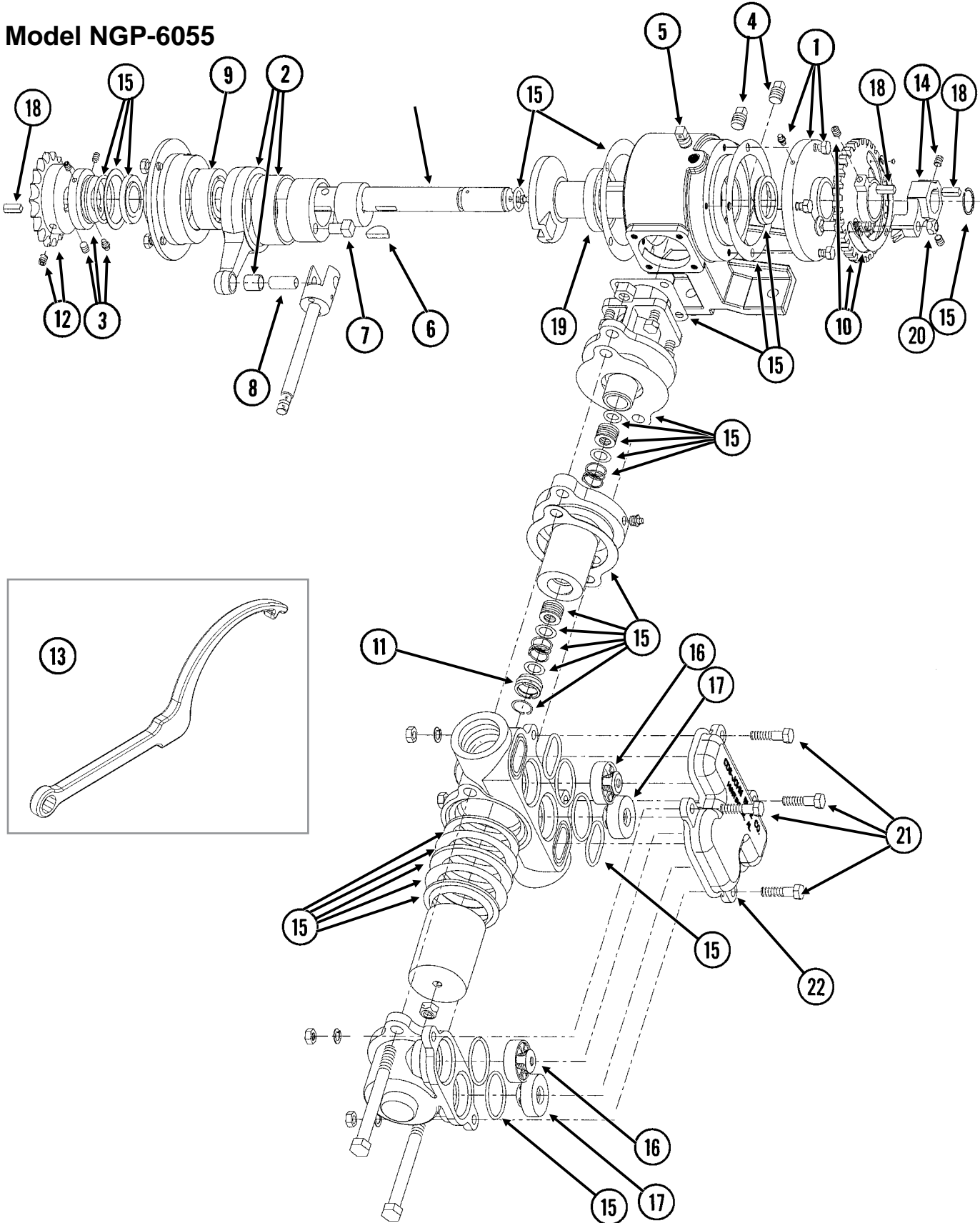
# Liquid Fertilizer Piston Pump Uses 18 Tooth Sprocket

Model 3505

M0311-02

(A12335a/GR1808)

## Model NGP-6055



## Liquid Fertilizer Piston Pump Uses 18 Tooth Sprocket

M0311-02

Model 3505

ITEM	PART NO.	QTY.	DESCRIPTION
1	GR1804	1	Flange Cover Assembly
	G10991	4	Hex Head Cap Screw, 5/16"-18 x 7/8"
2	GR1802	1	Connecting Rod Assembly
3	GR1801	1	Spacer Assembly
	G10693	3	Hex Socket Head Set Screw, 5/16"-18 x 3/8"
4	GR1123	2	Plug
5	GR1543	1	Vent Plug
6	GR1112	1	Woodruff Key
7	GR1120	1	Eccentric Pin
8	GR1124	1	Pin
9	GR1104	1	Bearing
10	GR1805	1	Setting Hub Assembly
11	GR1134	1	Stuffing Box Insert
12	GR1389	1	Sprocket, 18 Tooth
13	GR1808	1	Adjustment Wrench
14	GR1806	1	Setting Pointer Assembly
15	GR1795	1	Repair Kit, Includes: (6) Gaskets, (9) O-Rings, (4) Washers, (1) Retaining Ring, (2) Oil Seals, (1) Snap Ring, (1) Thrust Washer, (1) Rod Bushing, (2) Flange Plunger Packings, (2) Packing Springs, (2) Rod Vee Packing Sets
16	GR1799	2	Discharge Valve Assembly
17	GR1797	2	Suction Valve Assembly
18	GR1118	3	Setting Arm Key
19	GR1116	1	Bearing
20	G10306	1	Carriage Bolt, 3/8"-16 x 2"
	G10108	1	Lock Nut, 3/8"-16
21	G10003	4	Hex Head Cap Screw, 3/8"-16 x 1 1/2"
	G11387	4	Flat Washer, 3/8" SAE
	G10229	4	Lock Washer, 3/8"
	G10101	4	Hex Nut, 3/8"-16
22	GR2003	1	Valve Cover
23	GR2185	1	Crankshaft
A	GA12330	-	Piston Pump Complete W/18 Tooth Sprocket (Model NGP-6055)

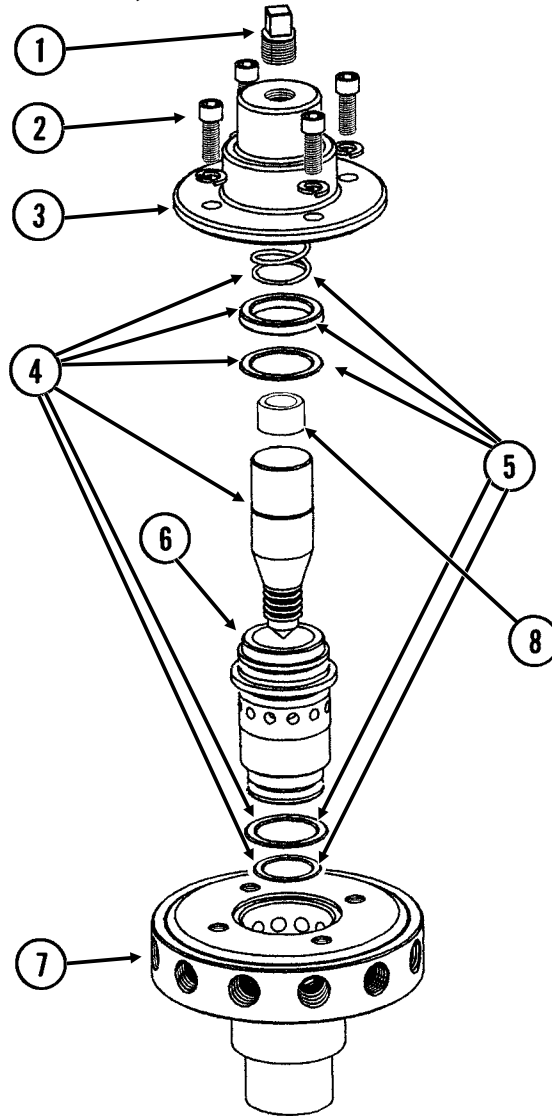
# Liquid Fertilizer Piston Pump Flow Divider

Model 3505

M0311-02

(FRTZ159/PT40a/FRTZ202c)

## Model FD-1200 Flow Divider, 12 Outlet



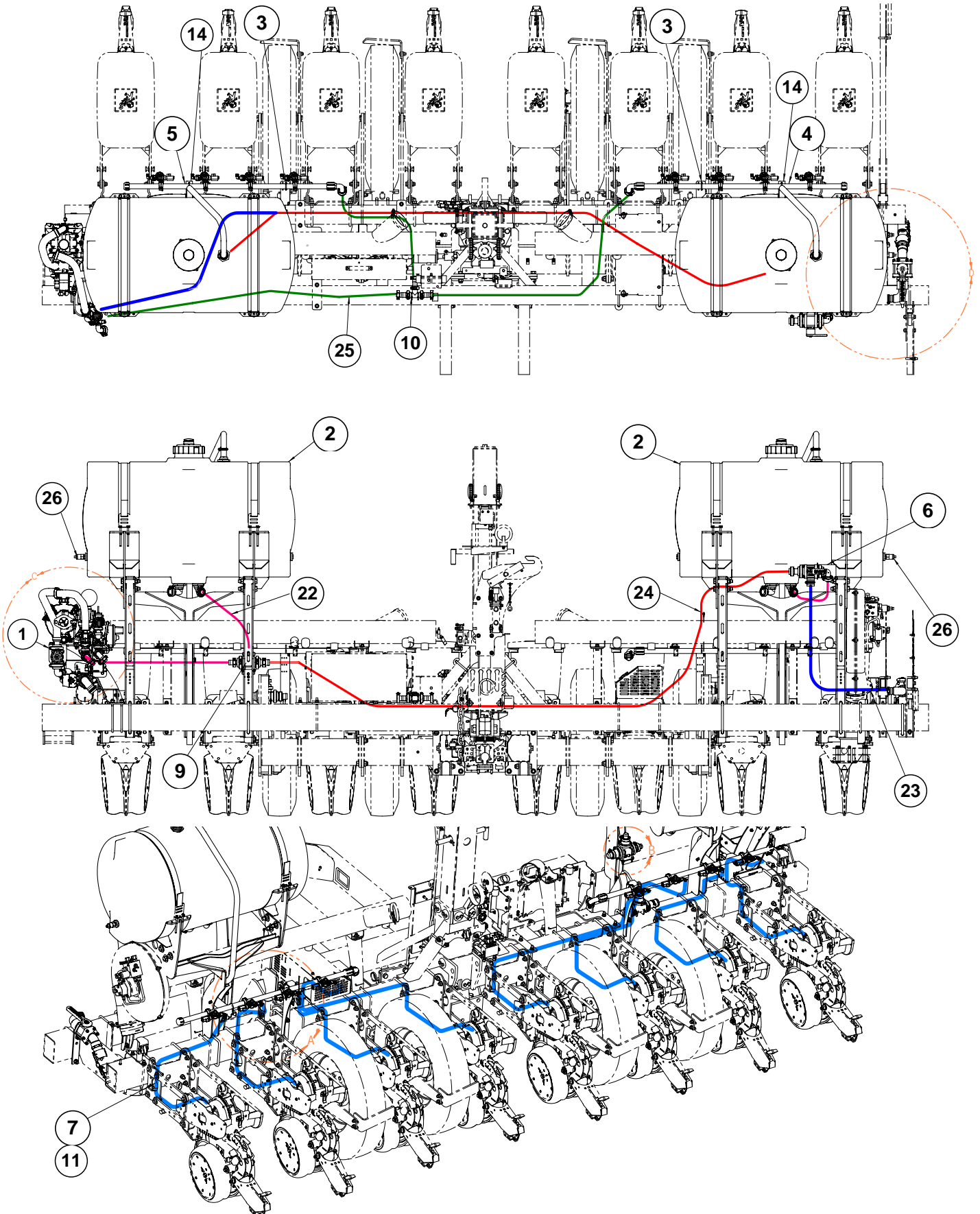
3/4" NPT

ITEM	PART NO.	QTY.	DESCRIPTION
1	GR1543	1	Vent Plug
2	GR1542	4	Hex Socket Head Screw, 1/4"-20 x 3/4"
	GR1541	4	Lock Washer, 1/4", Stainless Steel
3	GR1540	1	Cap
4	GR1544	1	Needle Assembly W/Seal Kit (Item 22)
5	GR1545	1	Seal Kit, Includes: (3) O-Rings, (1) Seal, (1) Spring
6	GR1535	1	Sleeve
7	GR1533	1	Body (12 Outlets)
8	GR1574	-	Sleeve, 1" O.D. x 1/2" Long, Stainless Steel
A	GA8931	1	Liquid Fertilizer Piston Pump Flow Divider Complete, 12 Outlet (Model FD-1200)

# Blue Drive Blue Vantage Liquid Fertilizer

M0311-02

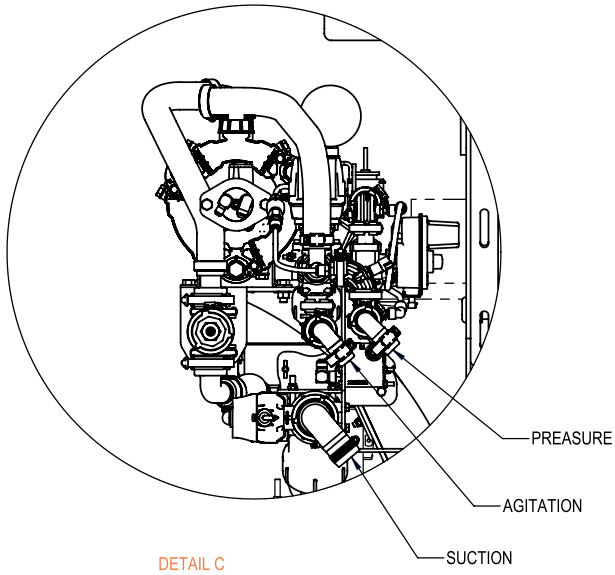
Model 3505



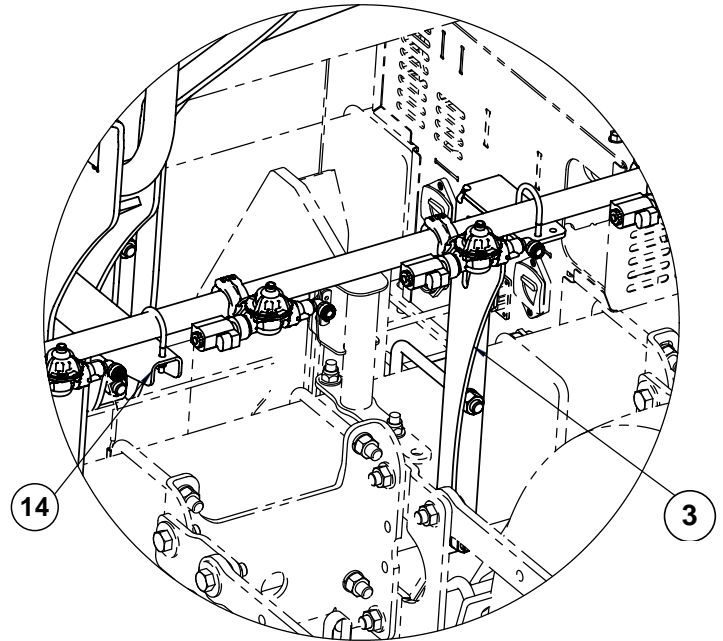
# Blue Drive Blue Vantage Liquid Fertilizer

Model 3505

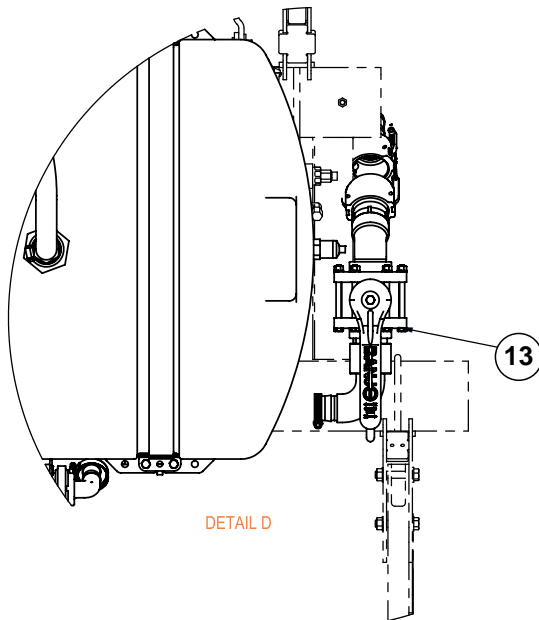
M0311-02



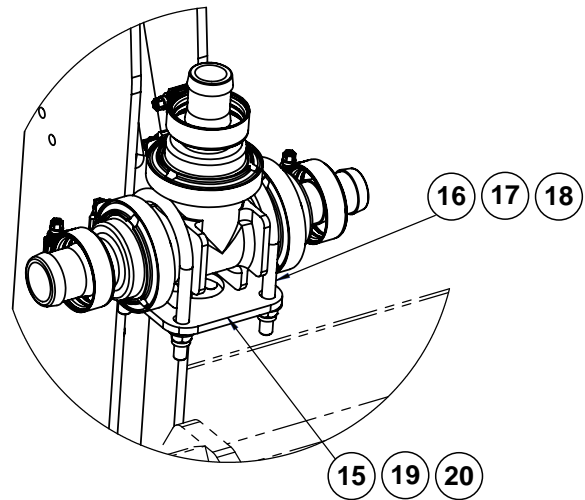
DETAIL C



DETAIL A



DETAIL D



DETAIL B

## Blue Drive Blue Vantage Liquid Fertilizer

M0311-02

Model 3505

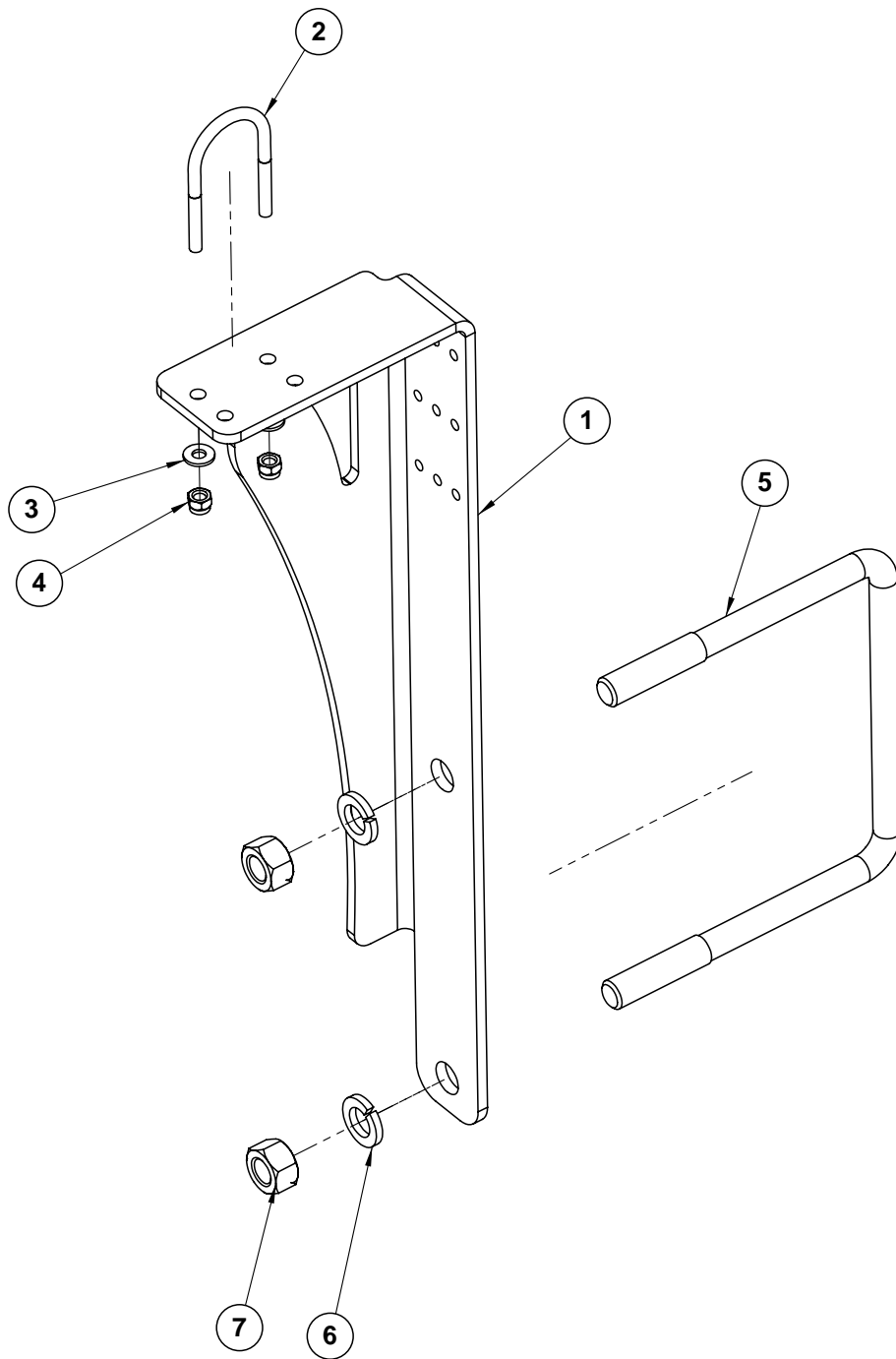
ITEM	PART NO.	QTY.	DESCRIPTION
1	G10713601	1	Liquid Fertilizer Pump
2	G10713901	2	150 Gal. Tank Unit
3	G10735201	2	Rail Support
4	G10887401	1	Liquid Fertilizer Manifold with Switch
5	G10887402	1	Liquid Fertilizer Manifold with Switch
6	G10737901	1	3-Way Valve
7	G10609021	1	TUBE URETHANE 3/8 OD X .065W BLK X 900
8	G10702901	1	Tee, 2" - 1.5/1.5/2.0
9	G10702801	1	Tee, 1" - 1.25/1.25/1.5
10	G10695901	1	Front and Rear Tee
11	GD29709	16	Support Tube
12	G10739301	1	BV Liquid Fertilizer Harness Routing
13	G10695001	1	Quick Fill
14	G10738101	2	Rail Holder
15	G10805001	1	Tee Holder
16	G10510201	2	U-Bolt, 2-1/2" x 4-5/16"
17	G11387	4	Hardened Washer, 3/8" SAE
18	G10108	4	Lock Nut, 3/8"-16
19	G10857	2	Hex Head Cap Screw, 1/4"-20 x 1 1/4"
20	G10211	4	Washer, 1/4" SAE
21	G10110	2	Lock Nut, 1/4"-20, Grade B
22	G10616812	1	Hose, 1.8 OD X 1-1/4 ID X 250 IN
23	G10616602	1	Hose, 2.6 OD X 2 ID X 192 IN
24	G10616710	1	Hose, 2.1 OD X 1-1/2 ID X 450 IN
25	G10616505	1	Hose, 1.61 OD X 1-1/4 ID X 276 IN
26	GA18720	2	Liquid Level Sensor
27	G10734101	1	BV Liquid Fertilizer Hydraulic Hose

# Rail Support

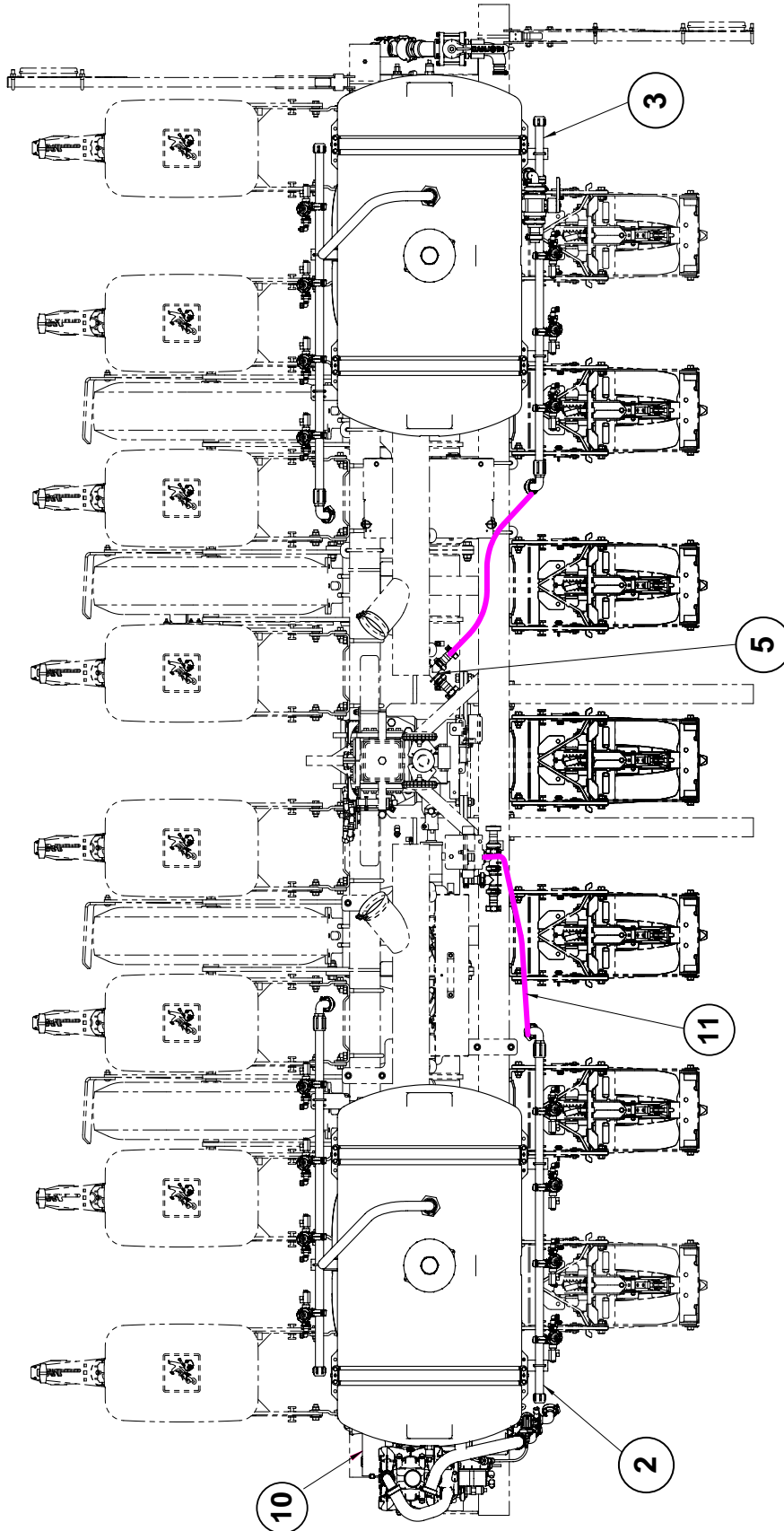
Model 3505

M0311-02

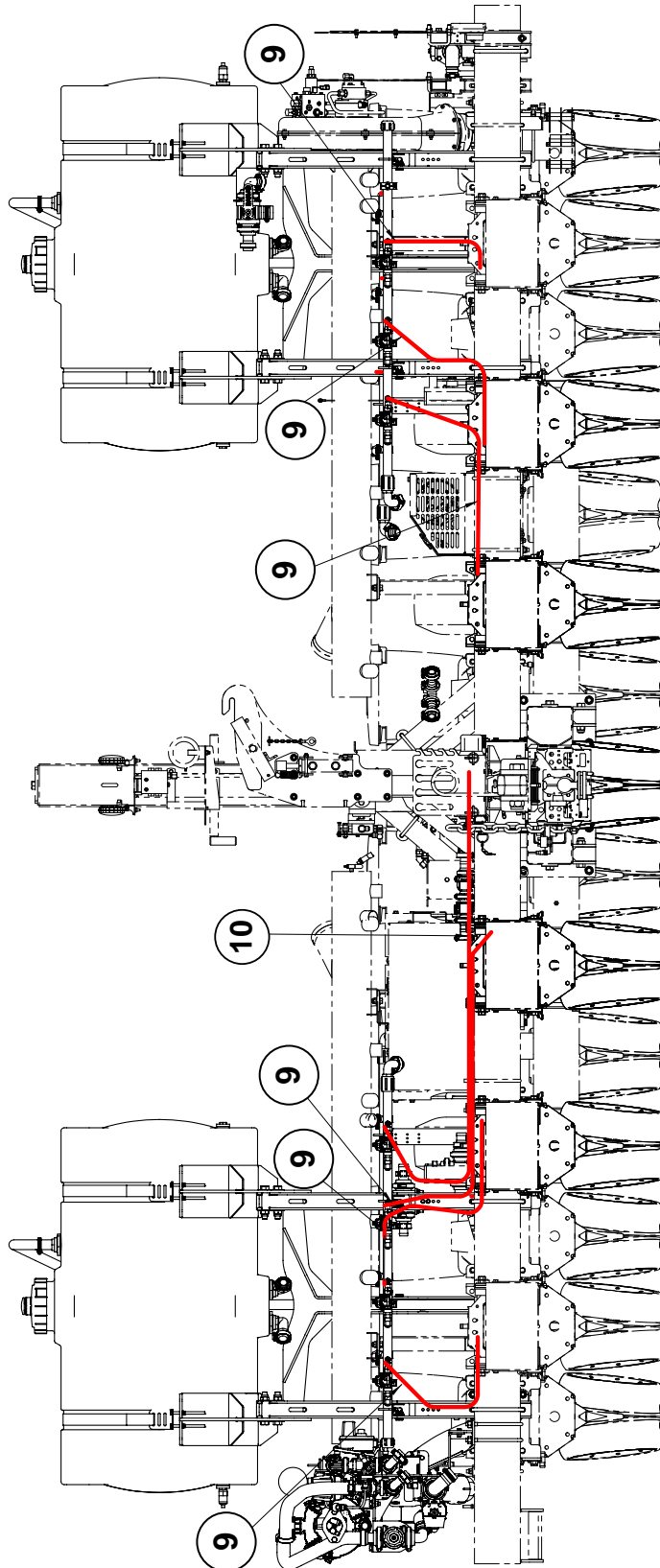
(107352)

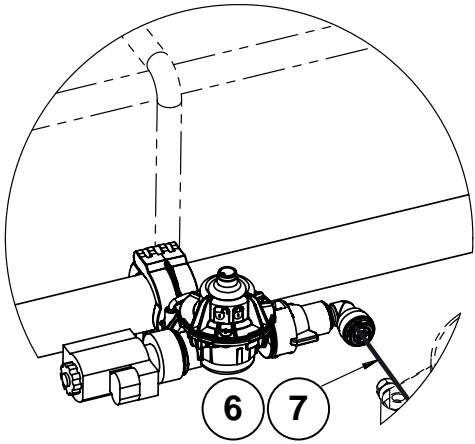
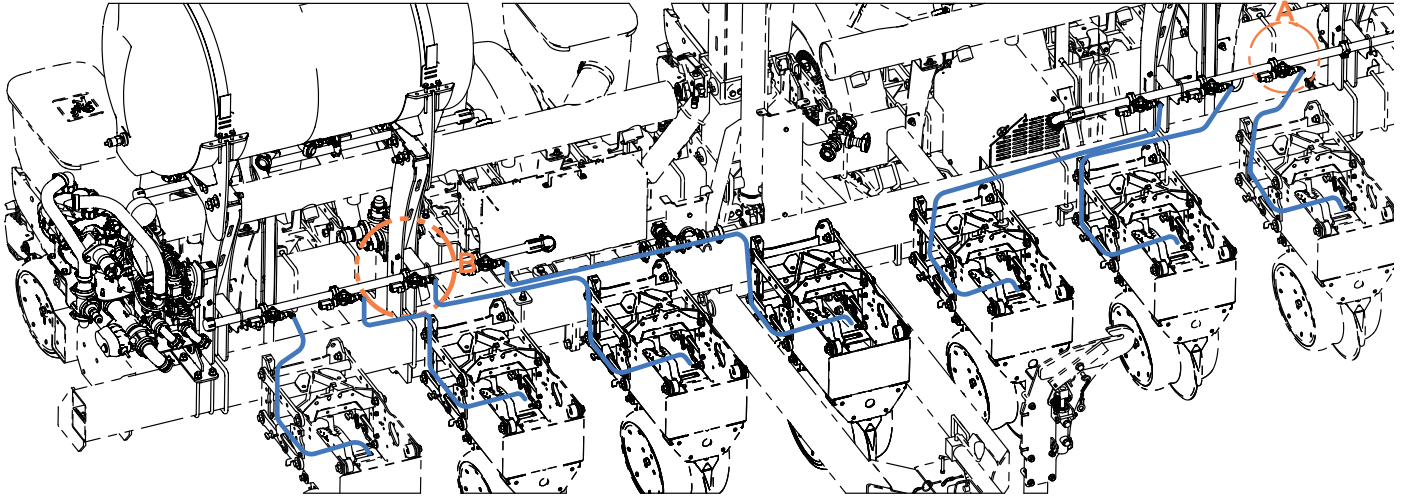


ITEM	PART NO.	QTY.	DESCRIPTION
1	G10952801	1	Rail Holder
2	GD26274	1	U-Bolt, 1-1/2" x 1/4"-20
3	G11385	2	Flat Washer, 1/4" SAE
4	G11320	2	Lock Nut, 1/4"-20, Grade B
5	GD1113	1	U-Bolt, 5" x 7" x 5/8"-11
6	G10230	2	Lock Washer, 5/8"
7	G10104	2	Hex Nut, 5/8"-11

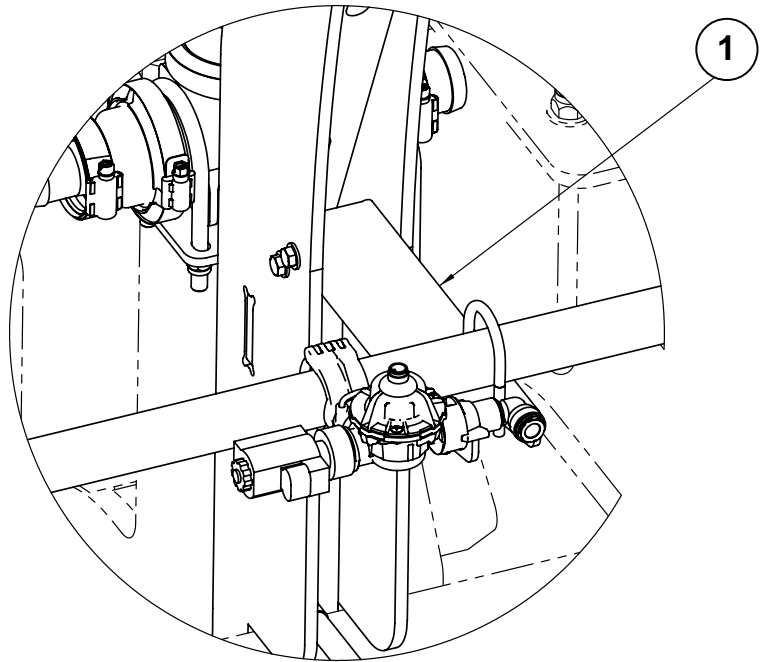








DETAIL A



DETAIL B

**Blue Drive Blue Vantage Liquid Fertilizer (True Speed,  
Split Row)**

Model 3505

M0311-02

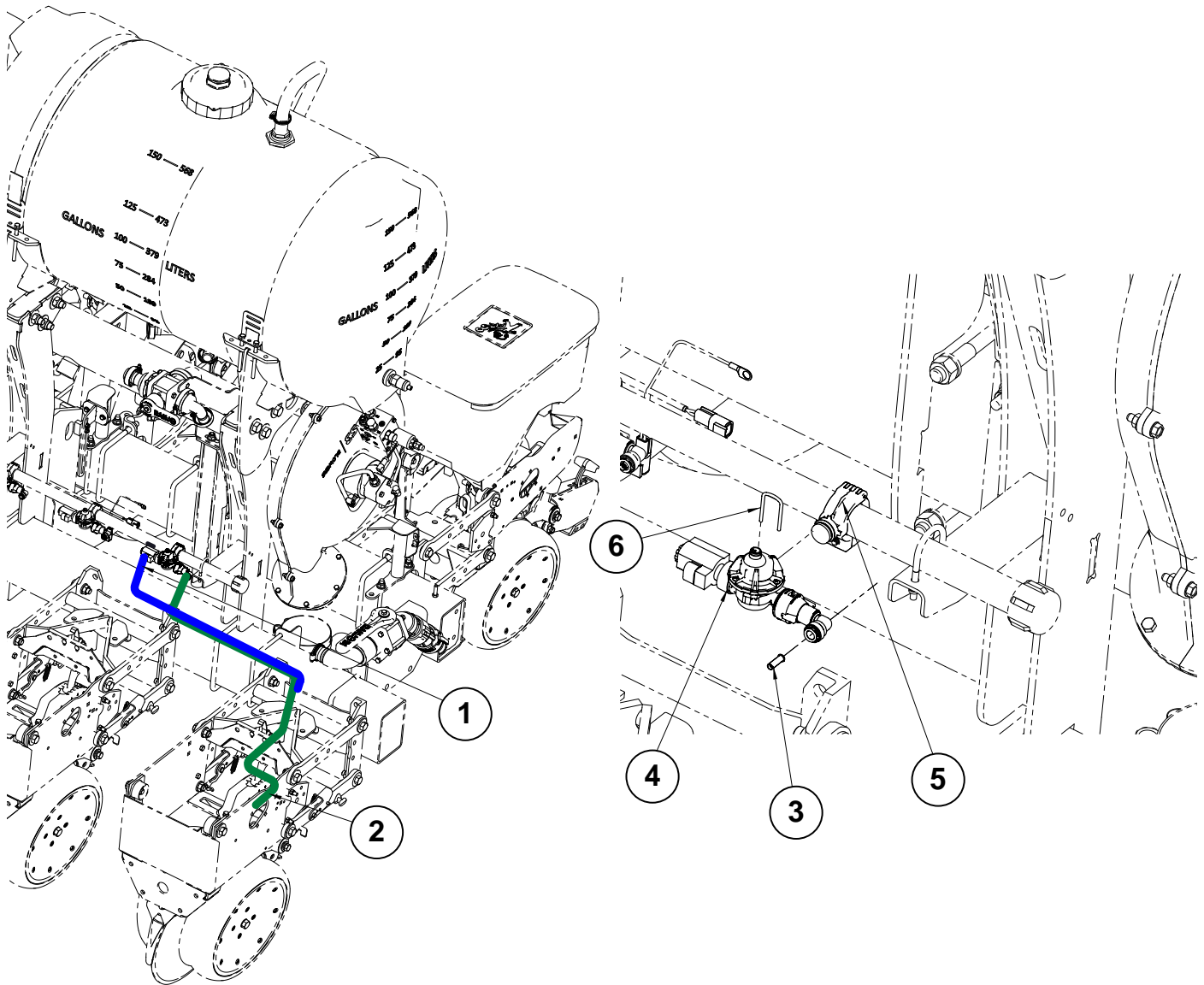
---

<b>ITEM</b>	<b>PART NO.</b>	<b>QTY.</b>	<b>DESCRIPTION</b>
1	G10738101	4	Rail Holder
2	G10887401	1	Liquid Fertilizer Manifold with Switch
3	G10887501	1	Liquid Fertilizer Manifold with Switch, Split Row
4	G10695902	1	Front and Rear Tee
5	G10695901	1	Front and Rear Tee
6	GD29709	14	Support Tube
7	G10609021	1	TUBE URETHANE 3/8 OD X .065W BLK X 900
8	G10616502	1	Hose, 1.61 OD X 1-1/4 ID X 72 IN
9	G10840303	7	Fertilizer Row Unit Extension Harness, 66"
10	GD27290	8	Mesh Strainer

# Liquid Fertilizer Even Row

M0311-02

Model 3505

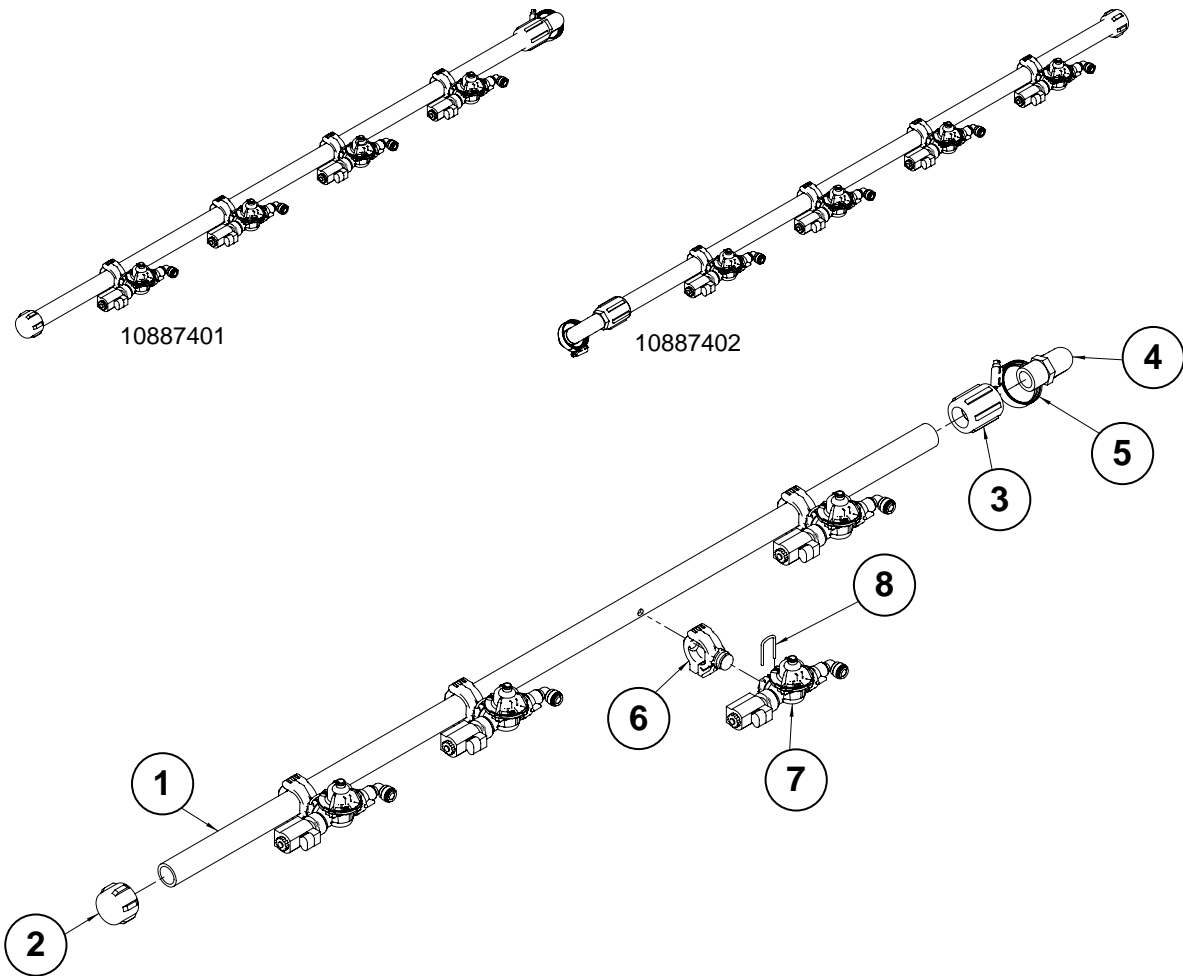


ITEM	PART NO.	QTY.	DESCRIPTION
1	G10840303	1	Fertilizer Row Unit Extension Harness, 66"
2	G10609007	1	TUBE URETHANE 3/8 OD X .065W BLK X 120.000
3	GD29709	2	Support Tube
4	G10773301	1	Manifold Row Flow Basic Assembly
5	G10773801	1	Manifold Clamp
6	G10833001	1	Wire Retention Clip

# Liquid Fertilizer Manifold with Switch

Model 3505

M0311-02



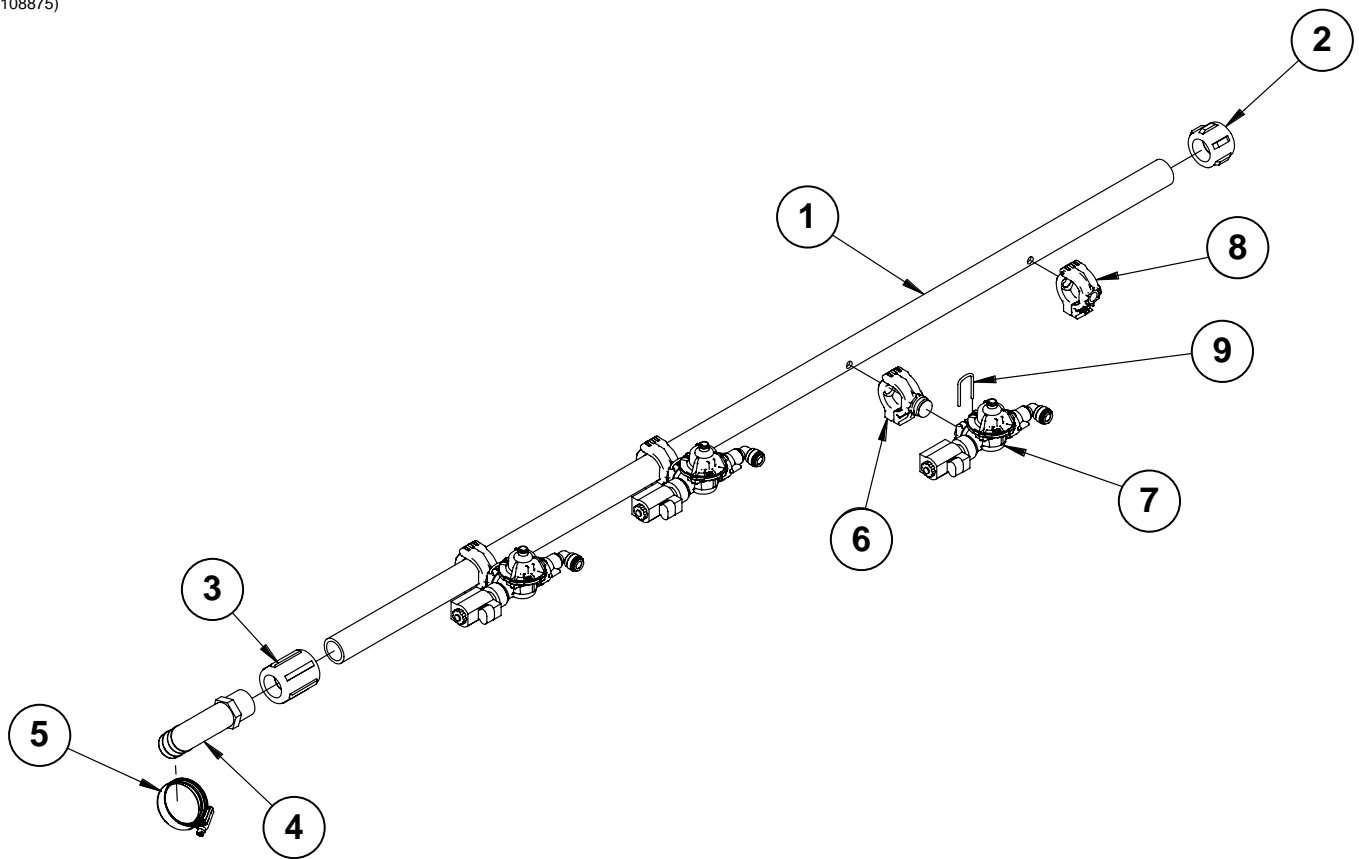
ITEM	PART NO.	QTY.	DESCRIPTION
1	G10695301	1	Rail
2	GD22503	1	1" Pipe Cap
3	G11554	1	1" Pipe Coupling
4	G11460	1	90° Elbow, 1" NPT x 1¼" Hose Barb
5	G10829101	1	Hose Clamp
6	G10773801	4	Manifold Clamp
7	G10773301	4	Manifold Row Flow Basic Assembly
8	G10833001	4	Wire Retention Clip

# Liquid Fertilizer Manifold with Switch (Split Row)

M0311-02

Model 3505

(108875)

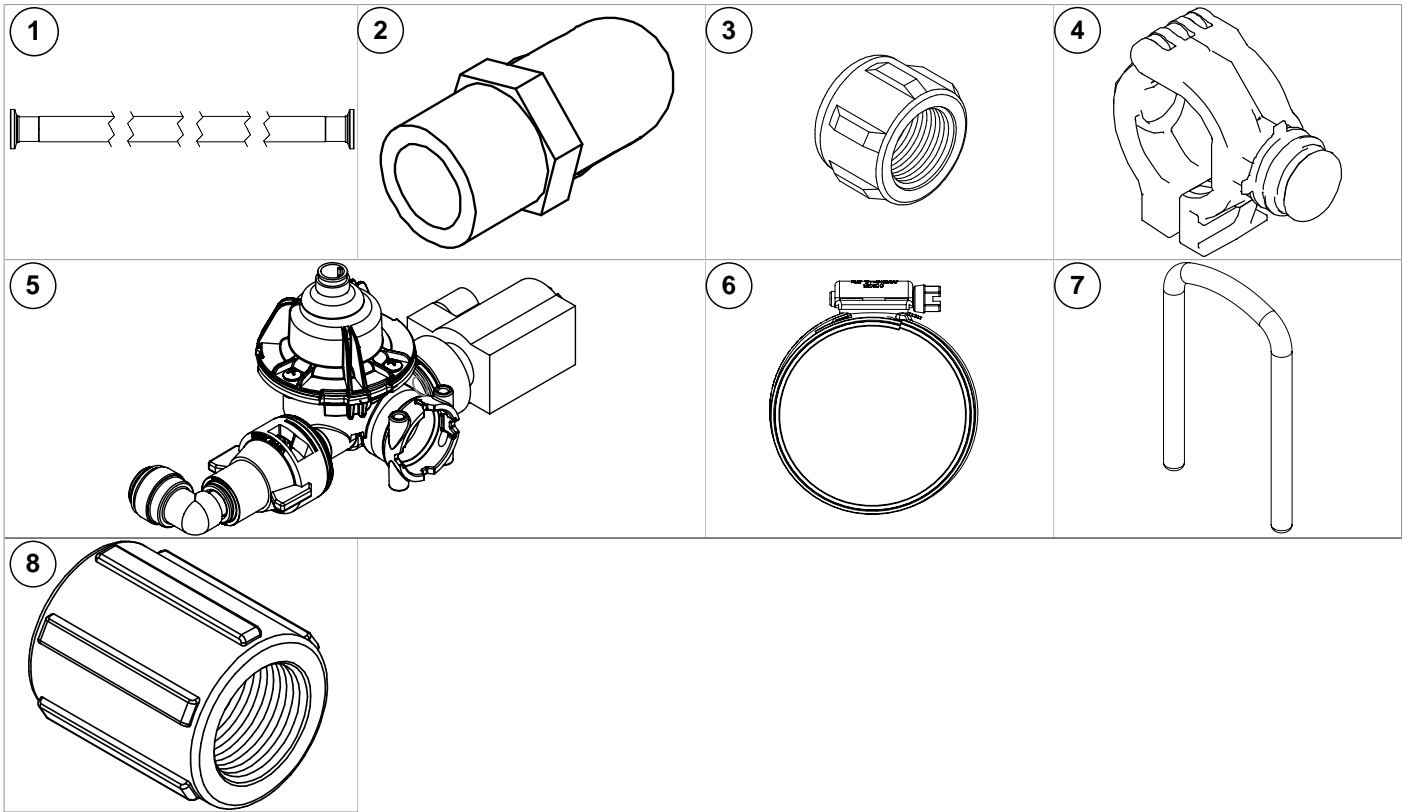


ITEM	PART NO.	QTY.	DESCRIPTION
1	G10695301	1	Rail
2	GD22503	1	1" Pipe Cap
3	G11554	1	1" Pipe Coupling
4	G11460	1	90° Elbow, 1" NPT x 1 1/4" Hose Barb
5	G10829101	1	Hose Clamp
6	G10773801	3	Manifold Clamp
7	G1077330	3	Manifold Row Flow Basic Assembly
8	G10608701	1	Blank Nozzle Body
9	G10833001	3	Wire Retention Clip

## Fertilizer Manifold Parts

Model 3505

M0311-02



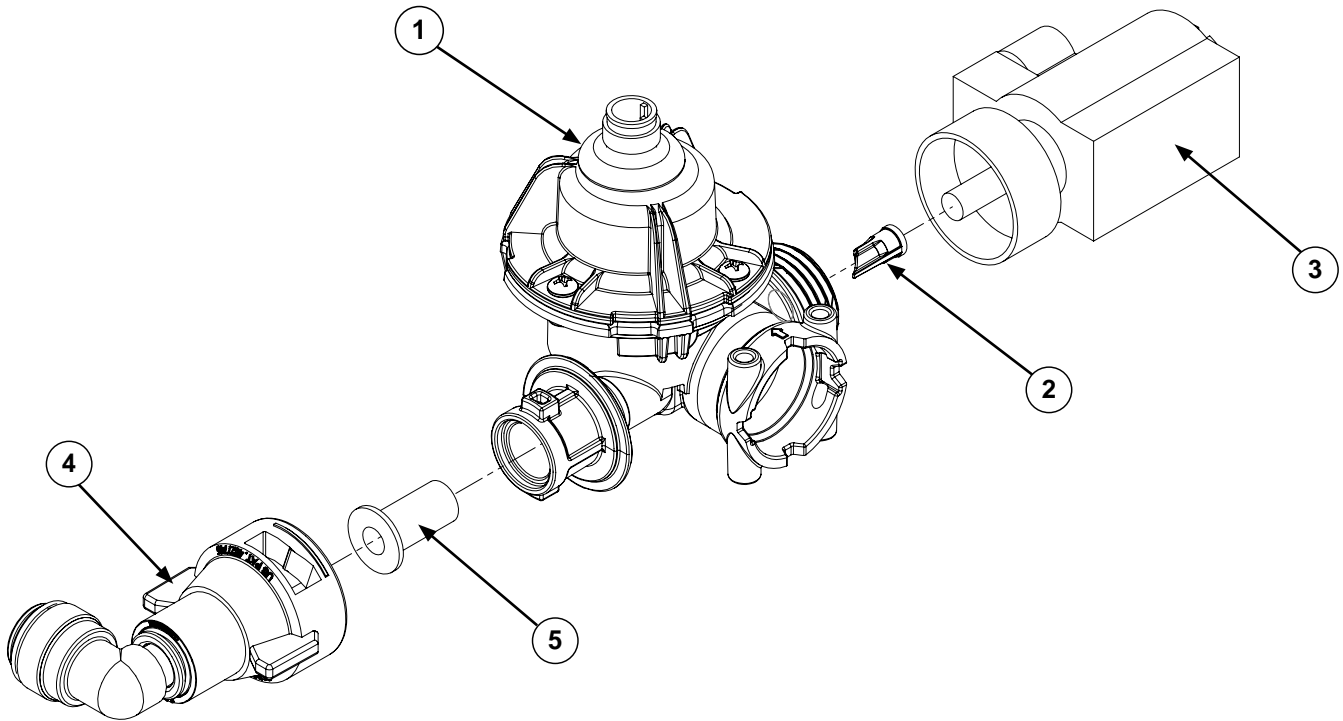
ITEM	PART NO.	QTY.	DESCRIPTION
1	G10695301	-	Rail
2	G11460	-	90° Elbow, 1" NPT x 1¼" Hose Barb
3	GD22503	-	1" Pipe Cap
4	G10773801	-	Manifold Clamp
5	G10773301	-	Manifold Row Flow Assembly
6	G10829101	-	Hose Clamp
7	G10833001	-	Wire Retention Clip
8	G11554	-	1" Pipe Coupling

# Manifold Row Flow Assembly

M0311-02

Model 3505

(107733)



ITEM	PART NO.	QTY.	DESCRIPTION
1	G11007101	1	<a href="#">See "Fertilizer Flow Meter Assembly" on page P256</a>
2	G10773101	1	Flow Meter Orifice, 0.082"
3	GA20732	1	Fertilizer Shut Off
4	G10522501	1	Fertilizer Manifold Cap, 90°
5	G10943101	1	Strainer Nozzle, 100 Mesh

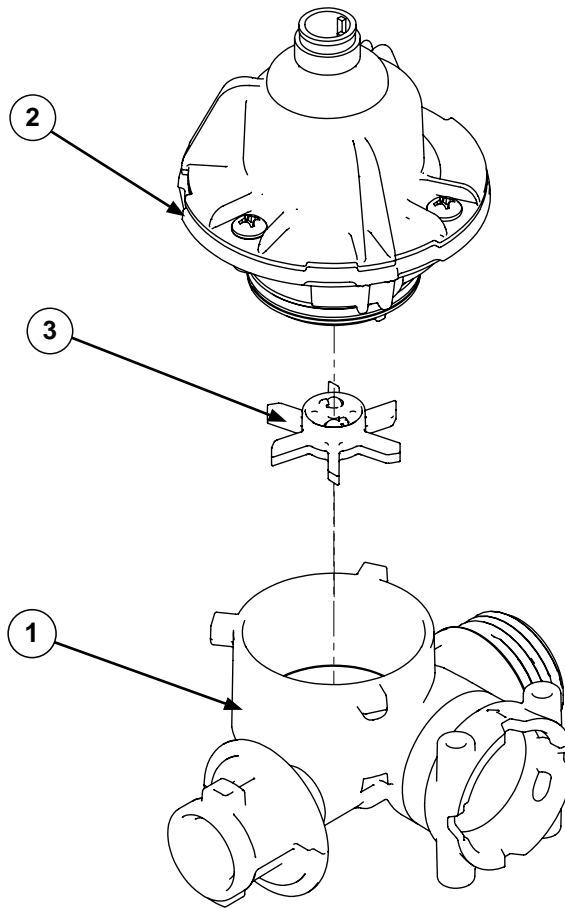


# Fertilizer Flow Meter Assembly

Model 3505

M0311-02

(110071)



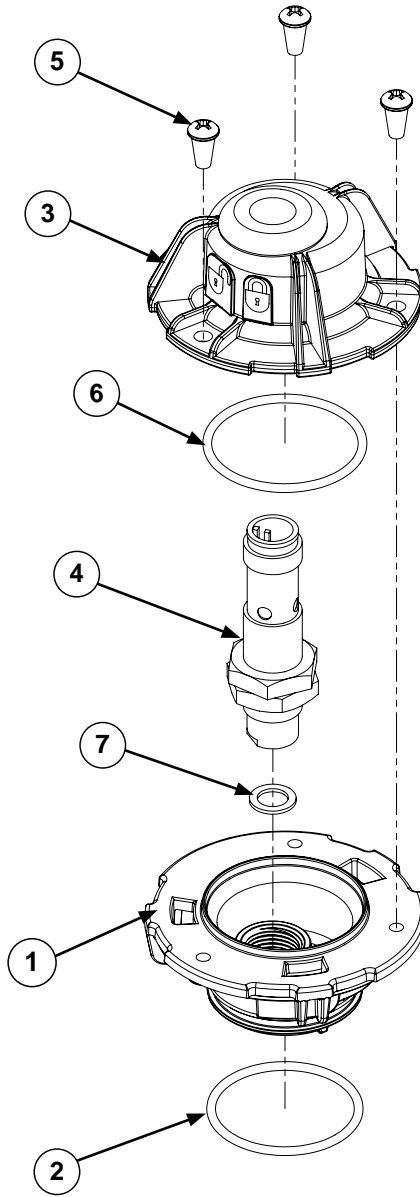
ITEM	PART NO.	QTY.	DESCRIPTION
1	G10772302	1	Manifold Fertilizer Flow Meter
2	G10772601	1	<a href="#">See "Fertilizer Flow Meter Cover" on page P257</a>
3	G10773001	1	Fertilizer Flow Meter Paddle Wheel Assembly

# Fertilizer Flow Meter Cover

M0311-02

Model 3505

(107726)



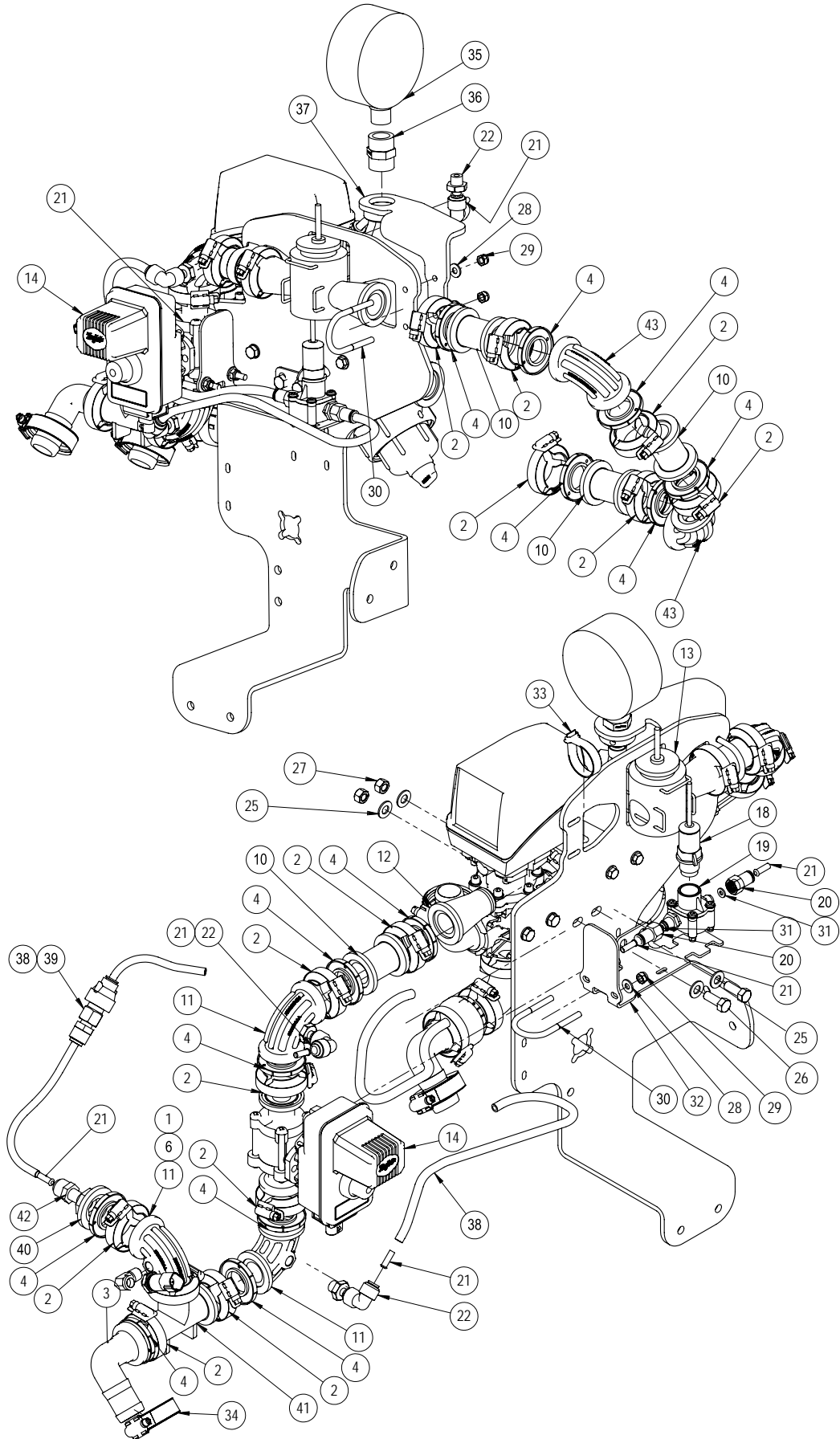
ITEM	PART NO.	QTY.	DESCRIPTION
1	G10832301	1	Fertilizer Flow Meter Cover
2	G10772501	1	O-Ring, No. 24
3	G10832401	1	Dust Cap Assembly
4	G10832701	1	Proximity Sensor
5	G10963001	3	Phillips Pan Head Tapping Screw, 6-19 x 5/16"
6	G10833101	1	O-Ring, No. 25
7	G10840901	1	Plastic Shim, 3/8" x 1/4" x .03"

# Liquid Fertilizer Filter Unit

Model 3505

M0311-02

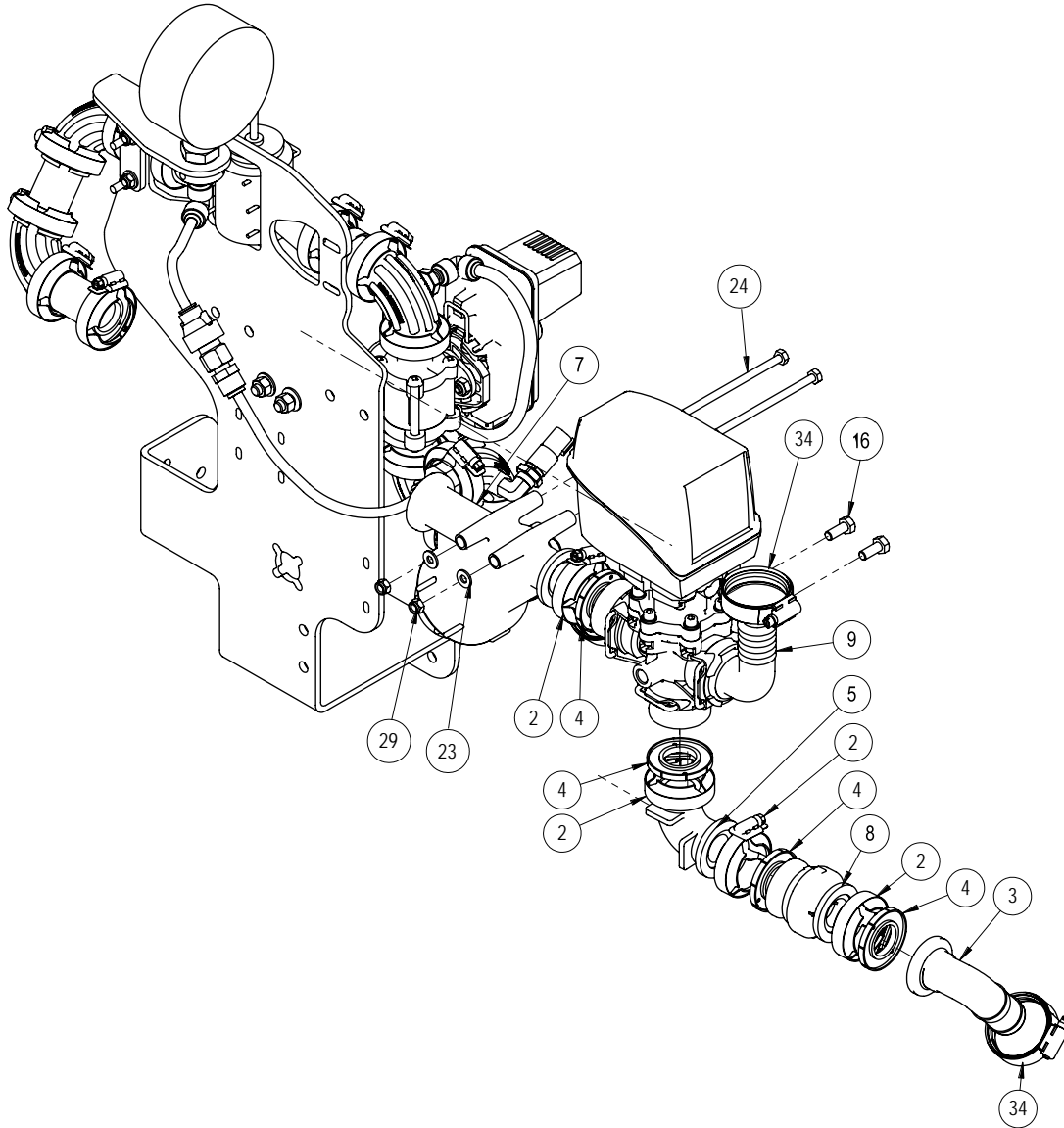
(107127)



# Liquid Fertilizer Filter Unit

M0311-02

Model 3505



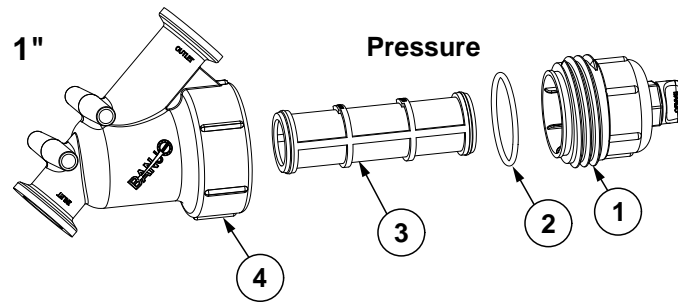
ITEM	PART NO.	QTY.	DESCRIPTION
1	G10580101	1	Reducer, 90°, 1/4"-18 NPT Male, X 1/8"-27 Female NPT
2	G11467	18	Flange Clamp SS 50 Series
3	G10425601	2	Flanged Elbow, 1" x 1 1/4" Barb, 90°
4	G10406801	18	Gasket, 1", Skirted, Flanged
5	G11574	1	1" Manifold Coupling, 90°
6	GA14804	1	Pressure Sensor (0-120 PSI)
7	G10398701	1	Manifold Strainer, "Y", 1". w/80 Mesh Screen
8	G10466101	1	Check Valve, 1" Manifold, Flanged
9	G10496401	1	Pressure Regulator
10	G11575	4	1" Flanged Straight Coupling
11	G11698	3	90° Elbow with 1/4" Gauge Port Flange Sweep
12	GD26304	2	Flow Meter Flanged Adapter
13	GA14813	1	Flow Meter
14	G10632101	1	Electric Ball Valve, 1" w/ Harness
15	G10681401	1	Filter Plate
16	G12003-20	2	Hex Head Cap Screw, M8-1,20
17	G12081	2	Flat Washer, M8
18	G10629701	1	Sensor, Mini Flow Meter

## Liquid Fertilizer Filter Unit

Model 3505

M0311-02

ITEM	PART NO.	QTY.	DESCRIPTION
19	G10629801	1	Mini Flow Meter
20	G10629901	2	Adapter, 1/4" BSP to 3/8" Push to Connect
21	GD29709	6	Support Tube
22	GA21614	3	90° Push-To-Connect Elbow
23	G10211	4	Washer, 1/4" SAE
24	G11203	2	Hex Head Cap Screw, 1/4"-20 x 4 1/2"
25	G10203	4	Washer, 3/8" SAE
26	G10001	2	Hex Head Cap Screw, 3/8"-16 x 1"
27	G10101	2	Hex Nut, 3/8"-16
28	G11385	4	Flat Washer, 1/4" SAE
29	G10110	6	Lock Nut, 1/4"-20, Grade B
30	GD26274	2	U-Bolt, 1-1/2" x 1/4"-20
31	G10636801	2	Sealing Rubber Washer
32	G10663901	1	Bracket, Mini Flow Meter
33	G10176901	1	Cable Tie, 1/2" x 12"
34	G10829101	3	Hose Clamp
35	GA21456	1	Pressure Gauge
36	G5000-08-04	1	Coupling, 1/2"-14 FNPT x 1/4"-18 FNPT
37	G10741301	1	Fertilizer Rail Pressure Gauge Mount
38	G10609002	1	Urethane Tube, 3/8" O.D., x 0.065" x 45"
39	G10771901	1	See "Orifice In-Line Housing" on page P204
40	G10618301	1	Flanged Plug, 1" w/ 1/4" Female NPT Port
41	G11583	1	1" Flanged Manifold Tee
42	GD29625	1	Connector, 1/4" NPT x 3/8"
43	G10817701	2	Sweep Flange, 90°

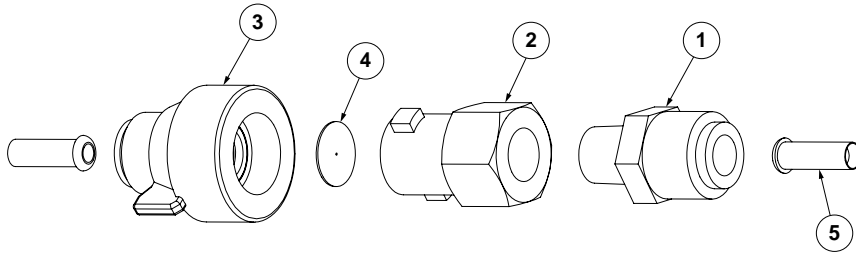


ITEM	PART NO.	QTY.	DESCRIPTION
1	G10974501	1	Cap Assembly, 1"
2	G10975501	1	O-Ring, No. 228 (1" Manifold Strainer)
3	G10974401	1	80 Mesh Screen (1" Manifold Strainer)
4	G10974601	1	Manifold Body
A	G10398701	1	1" Manifold Y Strainer W/80 Mesh Screen (Items 1-4)

# Orifice In-Line Housing

Model 3505

M0311-02



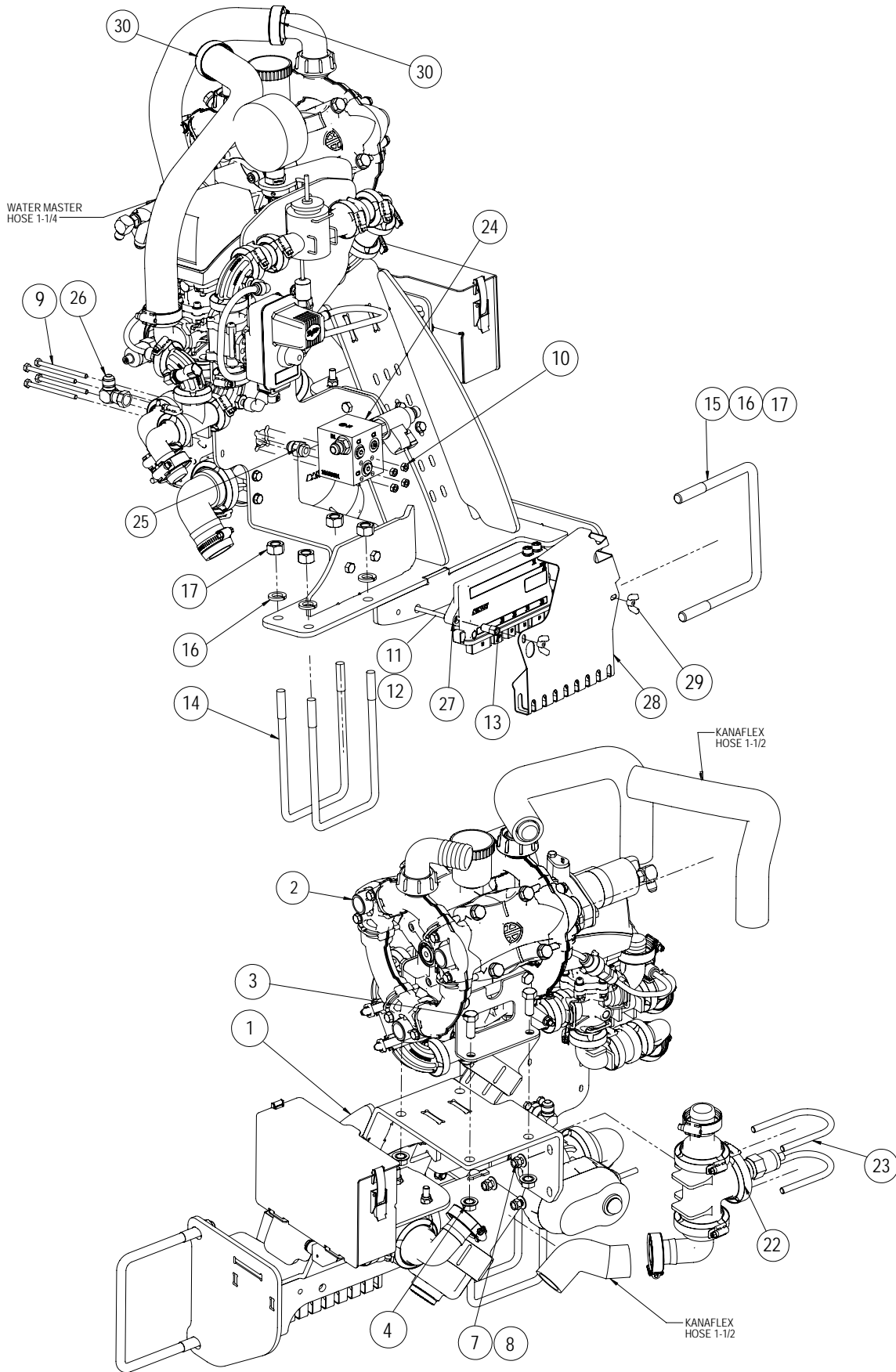
ITEM	PART NO.	QTY. (per Assy)	DESCRIPTION
1	GD29625	1	Connector, 1/4" NPT x 3/8"
2	G10771701	1	Orifice Adapter Cushion
3	GD21158	1	Cap
4	G10771801	1	Orifice (.020)
5	GD29709	2	Support Tube

# Liquid Fertilizer Pump Assembly

M0311-02

Model 3505

(107136)



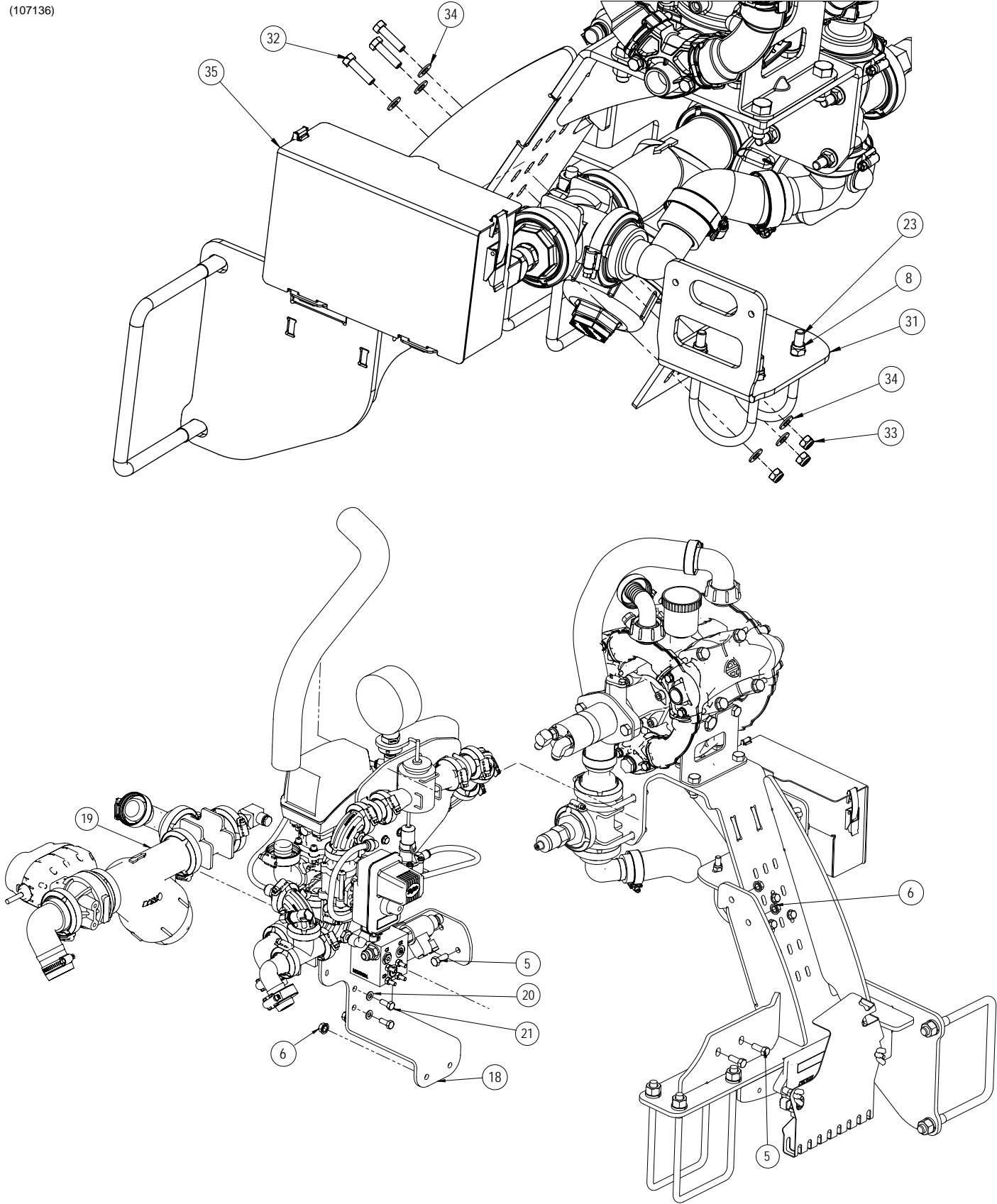


# Liquid Fertilizer Pump Assembly

Model 3505

M0311-02

(107136)



## Liquid Fertilizer Pump Assembly

M0311-02

Model 3505

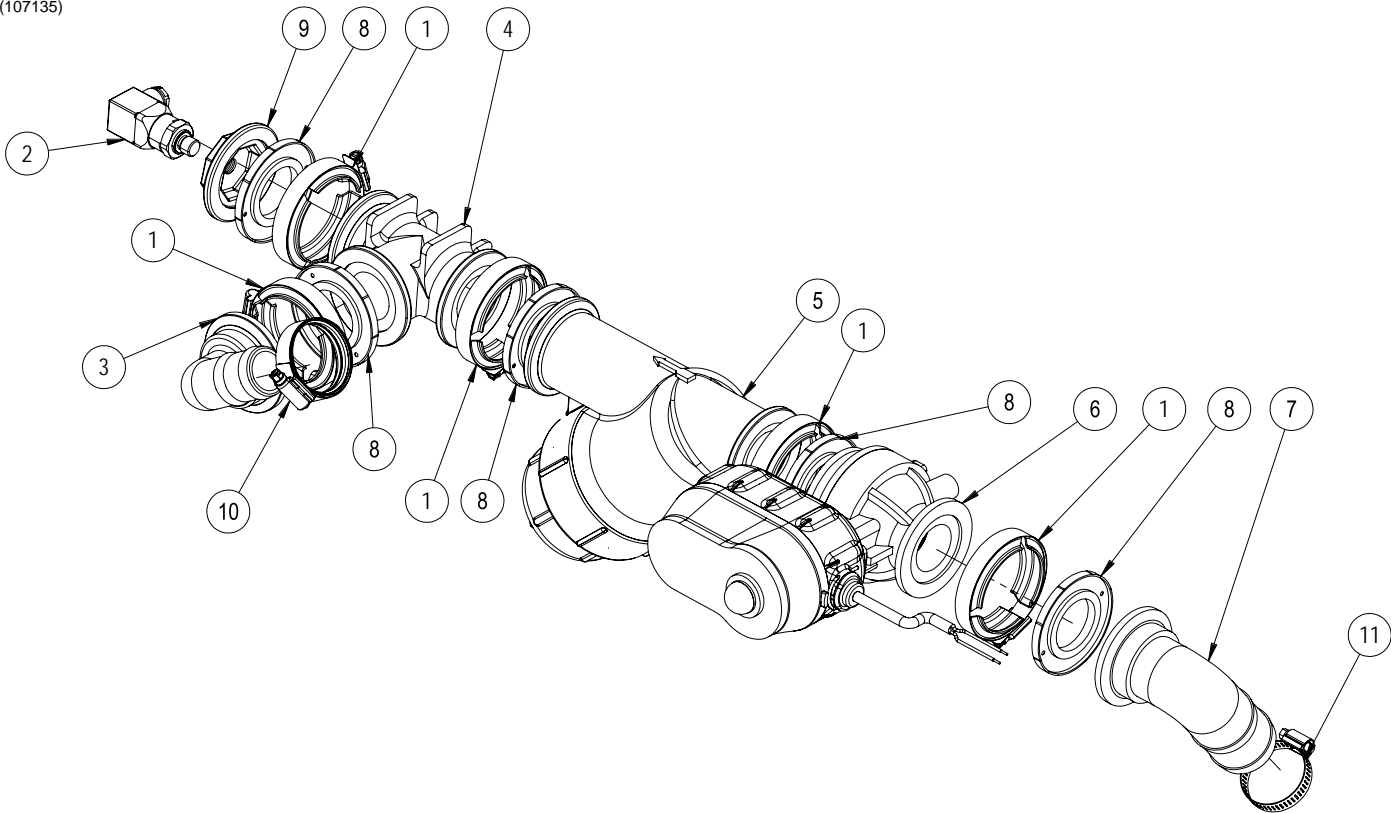
ITEM	PART NO.	QTY.	DESCRIPTION
1	G10674701	1	Pump Frame
2	G10602501	1	BV Liquid Fertilizer Pump and Motor
3	G10037	4	Hex Head Cap Screw, ½"-13 x 1¼"
4	G10071	4	Serrated Flange Nut, ½"-13
5	G10001	4	Hex Head Cap Screw, ⅝"-16 x 1"
6	G11091	4	Serrated Flange Nut, 3/8"-16
7	G11387	4	Flat Washer, ⅜" SAE
8	G10108	8	Lock Nut, ⅜"-16
9	G11135	4	Hex Head Cap Screw, ¼"-20 X 3 ¾"
10	G10103	4	Hex Nut, ¼"-20
11	G11929	2	Hex Head Cap Screw, 1/4"-20 x 2.75", Grade 5
12	G11385	2	Flat Washer, ¼" SAE
13	GD35609	2	Hex Standoff
14	GD8306	2	U-Bolt, 7" x 5" x ½"-13
15	GD1113	1	U-Bolt, 5" x 7" x 5/8"-11
16	G10230	6	Lock Washer, ⅝"
17	G10104	6	Hex Nut, ⅝"-11
18	G10712701	1	Liquid Fertilizer Filter Unit
19	G10713501	1	Electrical Ball Valve with Filter
20	G12081	2	Flat Washer, M8
21	G12003-20	2	Hex Head Cap Screw, M8-1,20
22	G10713401	1	Fluid Level Sensor
23	G10510201	4	U-Bolt, 2-1/2" x 4-5/16"
24	G10186001	1	Fan Control Manifold
25	G6400-08	1	Connector W/O-Ring, 3/4"-16 Male JIC To O-Ring
26	G6500-08	1	Swivel Elbow, 90°, 3/4"-16 Male JIC To Female
27	GA25949	1	IPN Module Assembly
28	G10146001	1	IPN Wire Shield
29	G10531	2	Wing Nut W/Nylon Insert, ¼"-20
30	G10829101	2	Hose Clamp, 1-5/8" - 2-1/8"
31	G10987601	1	Holder Plate
32	G10171	3	Hex Head Cap Screw, 5/16"-18 x 1 1/4"
33	G10109	3	Lock Nut, 5/16"-18, Grade 8
34	G10379	6	Flat Washer, 5/16"
35	G10987302	1	Orifice Storage Box

# Electrical Ball Valve with Filter

Model 3505

M0311-02

(107135)



ITEM	PART NO.	QTY.	DESCRIPTION
1	G11468	5	Flange Clamp SS 75 Series
2	G10474501	1	Hydraulic Pressure Transmitter Sensor
3	G10437901	1	Elbow, 2" Flange x 1-1/2" Barb, 90°
4	G11508	1	Tee, 2" Port Flange
5	G10398301	1	Manifold "Y" Strainer, 2" w/ 30 Mesh Screen
6	G10406601	1	Electrical Ball Valve
7	G11457	1	Elbow, 2" Flange x 2" Hose Barb, 90°
8	G10406701	5	Gasket, 2" Skirted Flange
9	G10474701	1	Plug, 2" Flanged w/ 1/4" FPT Port
10	G10829101	1	Hose Clamp
11	G10676	1	Hose Clamp, No. 36, Stainless Steel

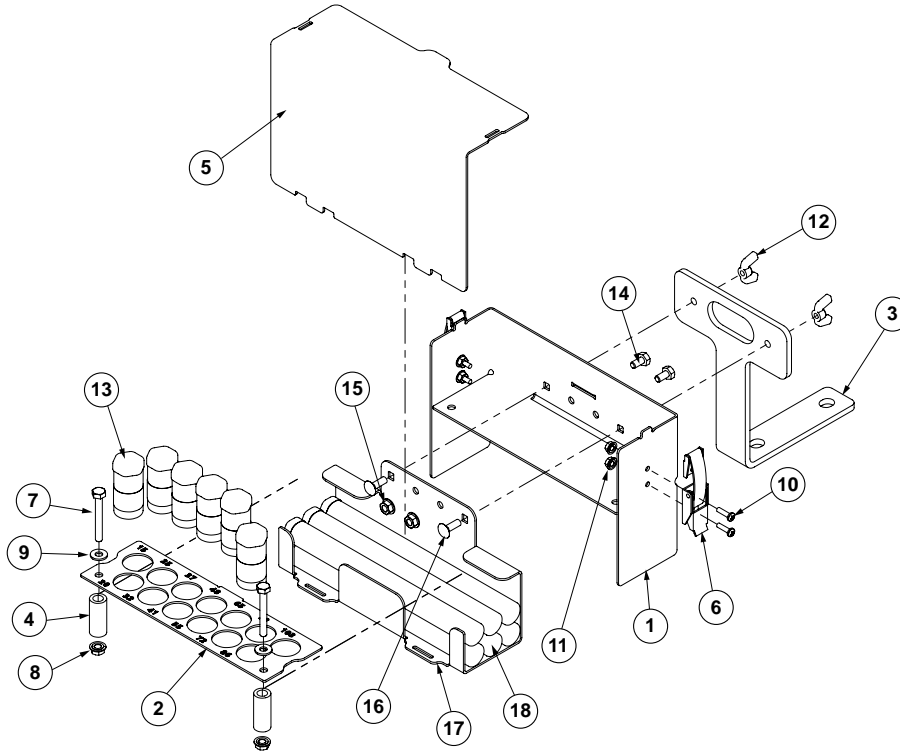
**This page left blank intentionally.**

# Orifice Storage Box

Model 3505

M0311-02

(109873)



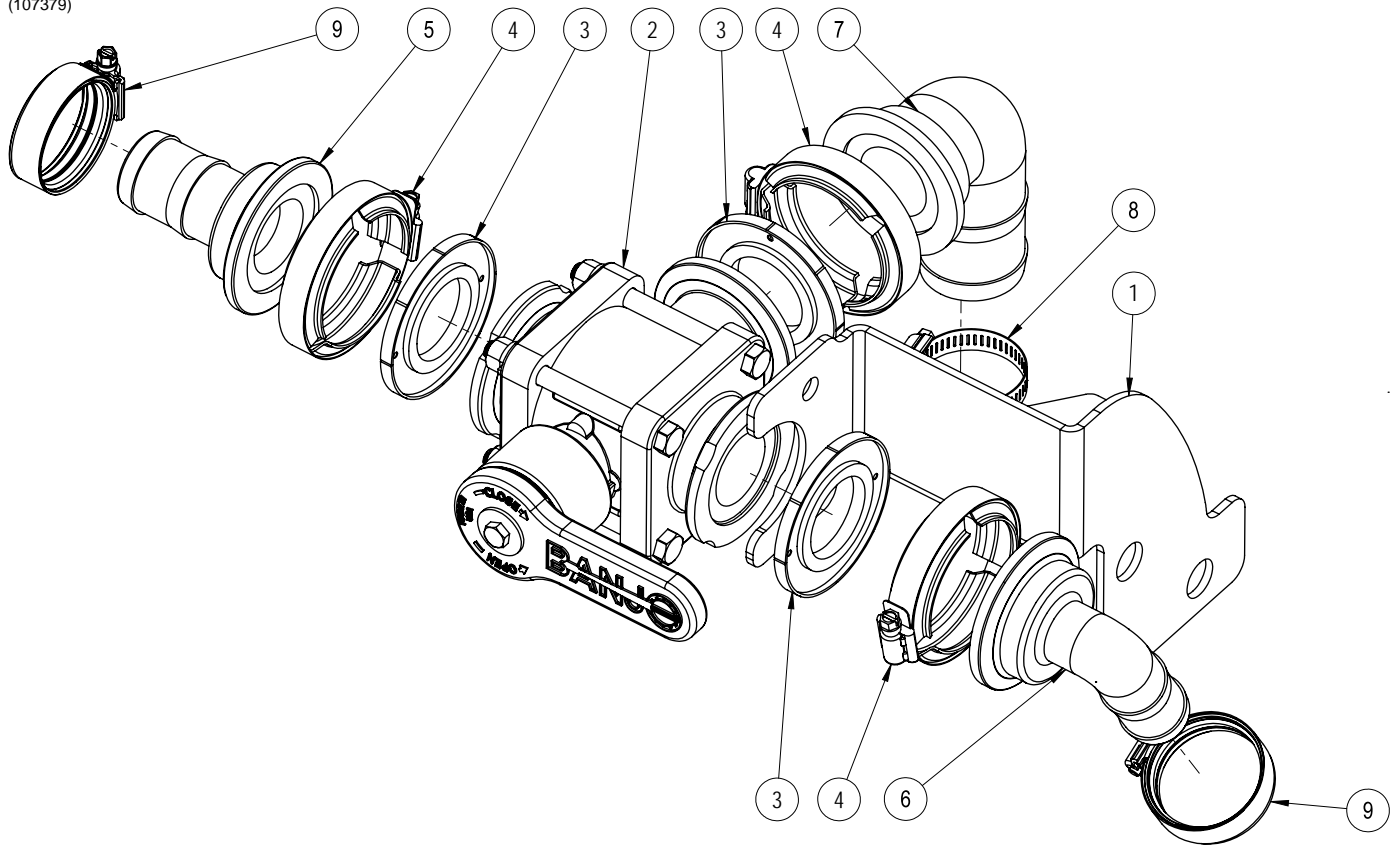
ITEM	PART NO.	QTY.	DESCRIPTION
1	G10986901	1	Orifice Storage Box Body
2	G10987001	1	Orifice Storage Holed Plate
3	G10986801	1	Orifice Storage Box Holder
4	GD23773	2	Spacer
5	G10986701	1	Orifice Storage Box Cover Plate
6	GA12641	2	Cover Latch
7	G10638	2	Bolt 1/4-20X2
8	G10621	2	Serrated Flange Nut, 1/4"-20
9	G11385	2	Flat Washer, 1/4" SAE
10	G11065	4	Phillips Pan Head Machine Screw, No. 8-32 x 5/8", Stainless Steel
11	G11241	4	Serrated Flange Nut
12	G10531	2	Wing Nut W/Nylon Insert, 1/4"-20
13	G10820001	-	Orifice Twist Pack w/ Decal, 0.015
	G10820002	-	Orifice Twist Pack w/ Decal, 0.020
	G10820003	-	Orifice Twist Pack w/ Decal, 0.025
	G10820004	-	Orifice Twist Pack w/ Decal, 0.028
	G10820005	-	Orifice Twist Pack w/ Decal, 0.032
	G10820006	-	Orifice Twist Pack w/ Decal, 0.037
	G10820007	-	Orifice Twist Pack w/ Decal, 0.041
	G10820008	-	Orifice Twist Pack w/ Decal, 0.048
	G10820009	-	Orifice Twist Pack w/ Decal, 0.055
	G10820010	-	Orifice Twist Pack w/ Decal, 0.065
	G10820011	-	Orifice Twist Pack w/ Decal, 0.072
	G10820012	-	Orifice Twist Pack w/ Decal, 0.078
	G10820013	-	Orifice Twist Pack w/ Decal, 0.086
14	G10022	2	Hex Head Cap Screw, 1/4"-20 x 1/2"
15	G10621	4	Serrated Flange Nut, 1/4"-20
16	G10310	2	Carriage Bolt, 1/4"-20 x 3/4", Grade 2
17	G10987201	1	Plate For Filter Storage
18	G10991001	6	Twist Pack, 16mm
19	GD27290	-	Strainer Nozzle, 50 Mesh

### 3-Way Valve Unit Assembly (Blue Drive Liquid Fertilizer)

M0311-02

Model 3505

(107379)



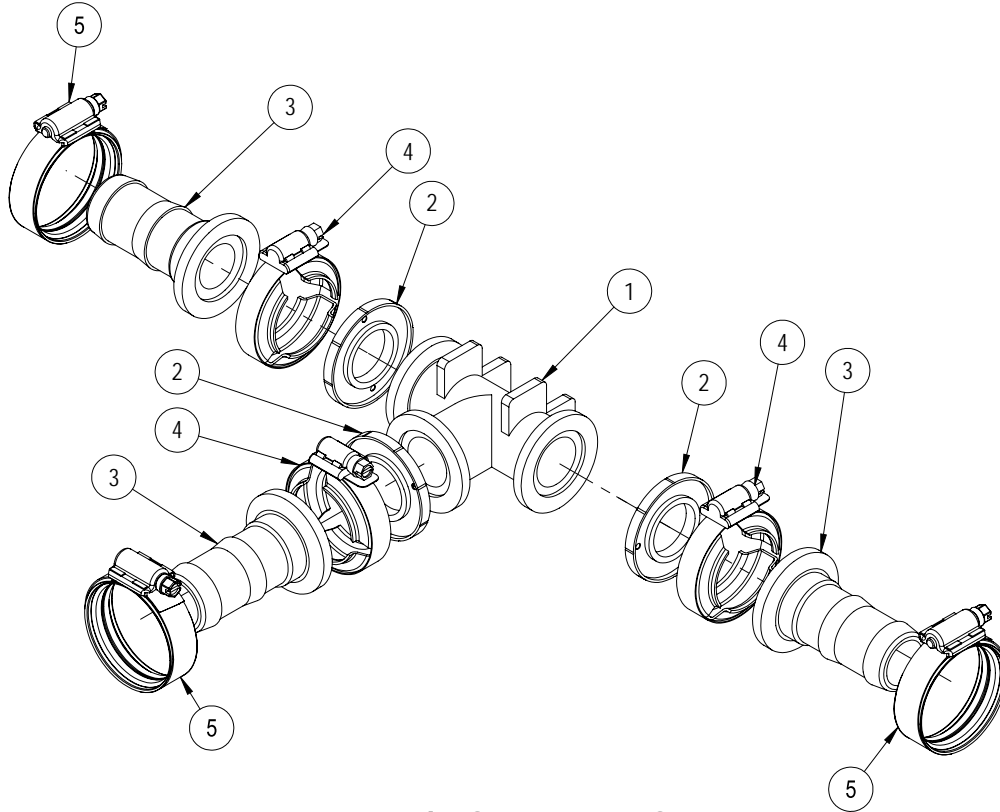
ITEM	PART NO.	QTY.	DESCRIPTION
1	G10681501	1	Valve Holder
2	G10612801	1	2" Flanged 3-Way Ball Valve Assy
3	G10406701	3	Gasket 2" Skirted Flanged
4	G11468	3	Flange Clamp SS 75 Series
5	G10464101	1	Adapter, 2" Flange x 1-1/2" Hose Barb
6	G10473901	1	Adapter, 2" Flange x 1-1/4" Hose Barb
7	G11457	1	Elbow, 2" Flange x 2" Hose Barb, 90°
8	G10676	1	Hose Clamp, No. 36, Stainless Steel
9	G10829101	2	Hose Clamp, 1-5/8" - 2-1/8"

# Front and Rear Tee Assembly (Blue Drive Liquid Fertilizer)

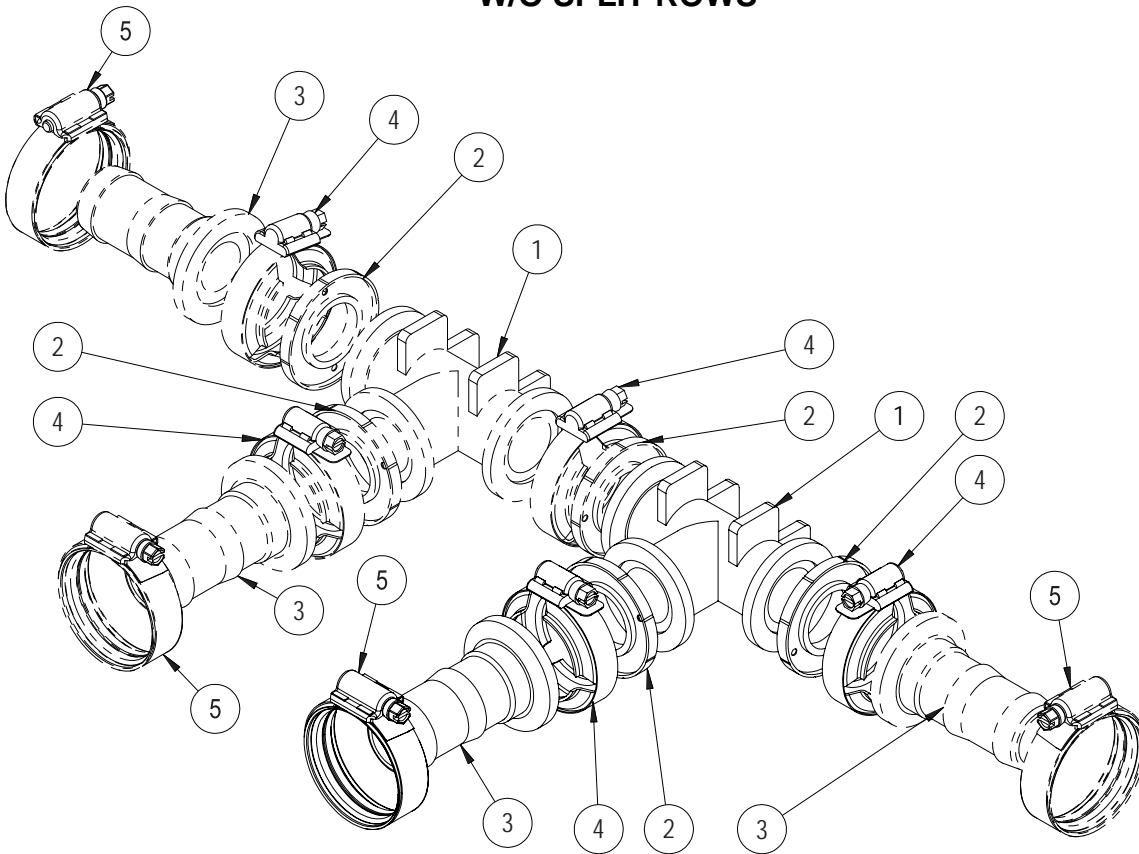
Model 3505

M0311-02

(106959)



**W/O SPLIT ROWS**



**WITH SPLIT ROWS**

## Front and Rear Tee Assembly (Blue Drive Liquid Fertilizer)

M0311-02

Model 3505

---

ITEM	PART NO.	QTY. (per Assy)	DESCRIPTION
1	G11583	-	1" Flanged Manifold Tee
2	G10406801	-	Gasket, 1" Skirted Flange
3	G11458	-	Adapter 1" Flange x 1/4" Hose Barb
4	G11467	-	Flange Clamp SS 50 Series
5	G10829101	-	Hose Clamp, No. 24

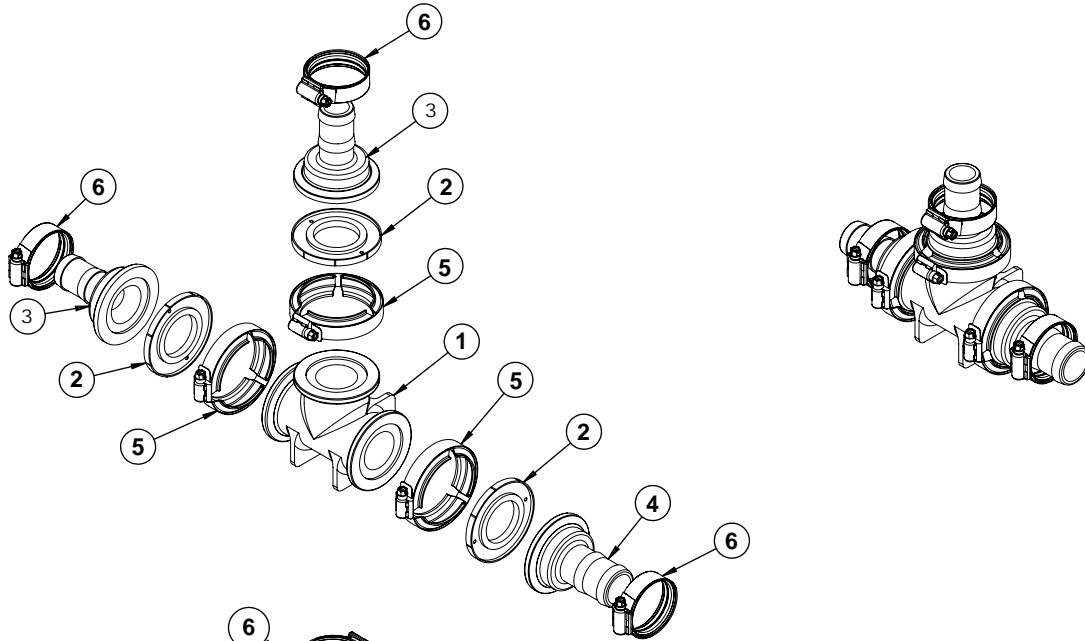


# Liquid Fertilizer Assembly Tees (Blue Drive, Bulk Fill)

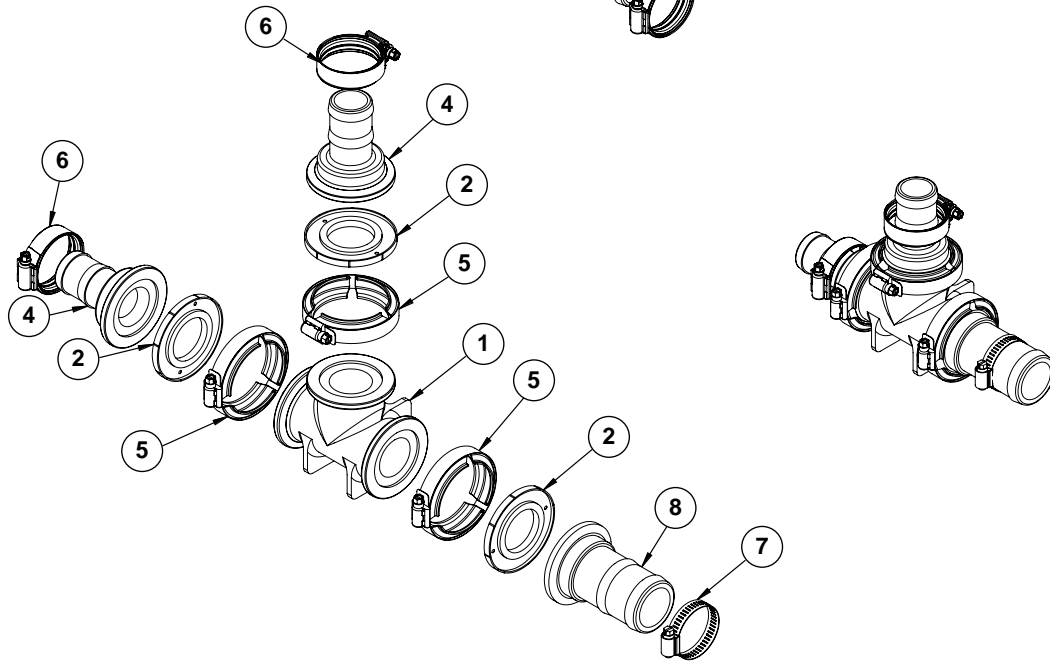
Model 3505

M0311-02

(107028)



(107029)



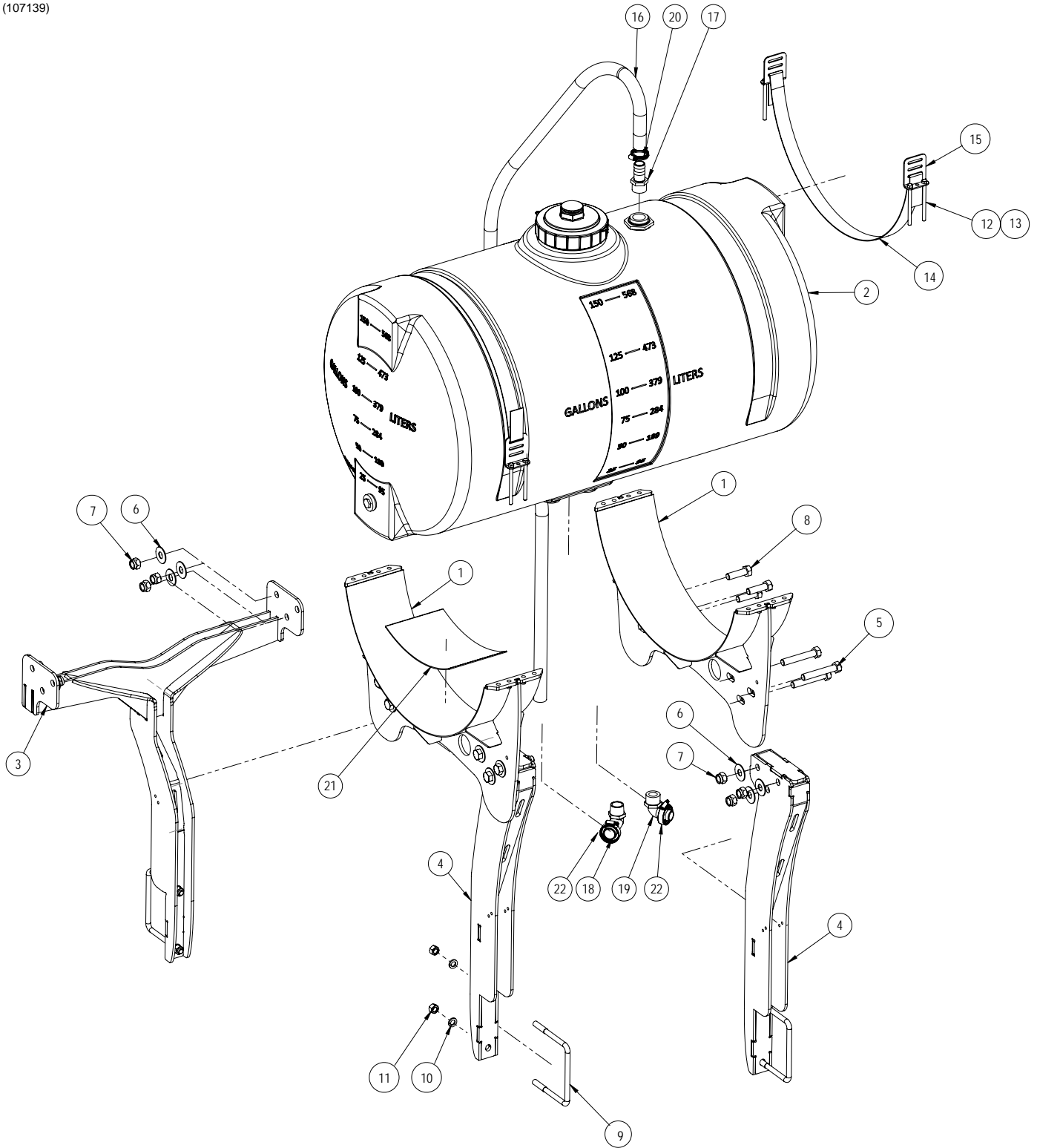
ITEM	PART NO.	QTY. (per Assy)	DESCRIPTION
1	G11508	-	Tee, 2" Port Flange
2	G10406701	-	Gasket, 2" Skirted Flange
3	G11494	-	Adapter, 2" Flange x 1 1/4" Hose Barb
4	G10464101	-	Adapter, 2" Flange x 1 1/2" Hose Barb
5	G11468	-	Flange Clamp SS 75 Series
6	G10829101	-	Hose Clamp, 1-5/8" - 2-1/8"
7	G10676	-	Hose Clamp, No. 36, Stainless Steel
8	G11497	-	Adapter, 2" Flange x 2" Hose Barb

# Liquid Fertilizer 150 Gal. Tank Assembly (Blue Drive)

M0311-02

Model 3505

(107139)



## Liquid Fertilizer 150 Gal. Tank Assembly (Blue Drive)

Model 3505

M0311-02

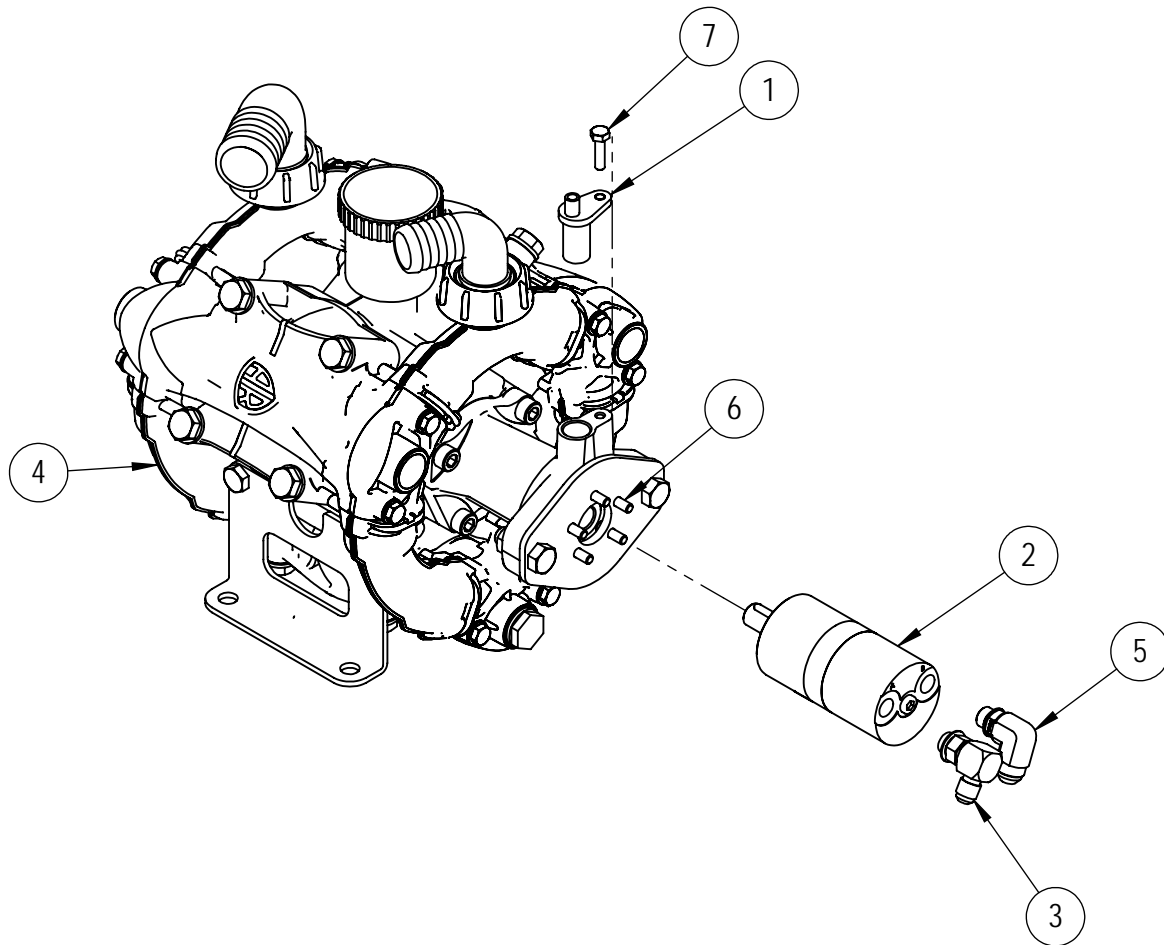
ITEM	PART NO.	QTY.	DESCRIPTION
1	G10715801	2	Tank Stand
2	G11009001	1	150 Gal. Fertilizer Tank
3	G10673701	1	Rear Tank Support
4	G10673201	2	Liquid Fertilizer Tank Support
5	G10029	6	Hex Head Cap Screw, 3/4"-10 x 4 1/2"
6	G10218	24	Washer, 3/4" USS
7	G10112	12	Lock Nut, 3/4"-10
8	G10027	6	Hex Head Cap Screw, 3/4"-10 x 2 1/2"
9	GD1113	3	U-Bolt, 5" x 7" x 5/8"-11
10	G10230	6	Lock Washer, 5/8"
11	G10104	6	Hex Nut, 5/8"-11
12	G10485	8	Hex Head Cap Screw, 5/8"-16 x 5"
13	G10901	8	Lock Nut, 3/8"-16
14	GD11124	2	Strap, 84"
15	GD11123	4	Anchor
16	G4602-03	1	Black Helix Hose, 1 1/4" x 100'
17	G10626	1	Adapter, 1 1/4" NPT To Barb
18	G10444801	1	Elbow, 90°, 1 1/4" x 1-1/2" Hose Barb
19	G10629	1	Elbow, 90°, 1 1/4" NPT To Barb
20	G10674	1	Hose Clamp, No. 24
21	GD1862	1	Tank Pad, 8" x 14' Roll
22	G10829101	2	Hose Clamp, 1-5/8" - 2-1/8"

# BV Liquid Pump and Motor

M0311-02

Model 3505

(106025)



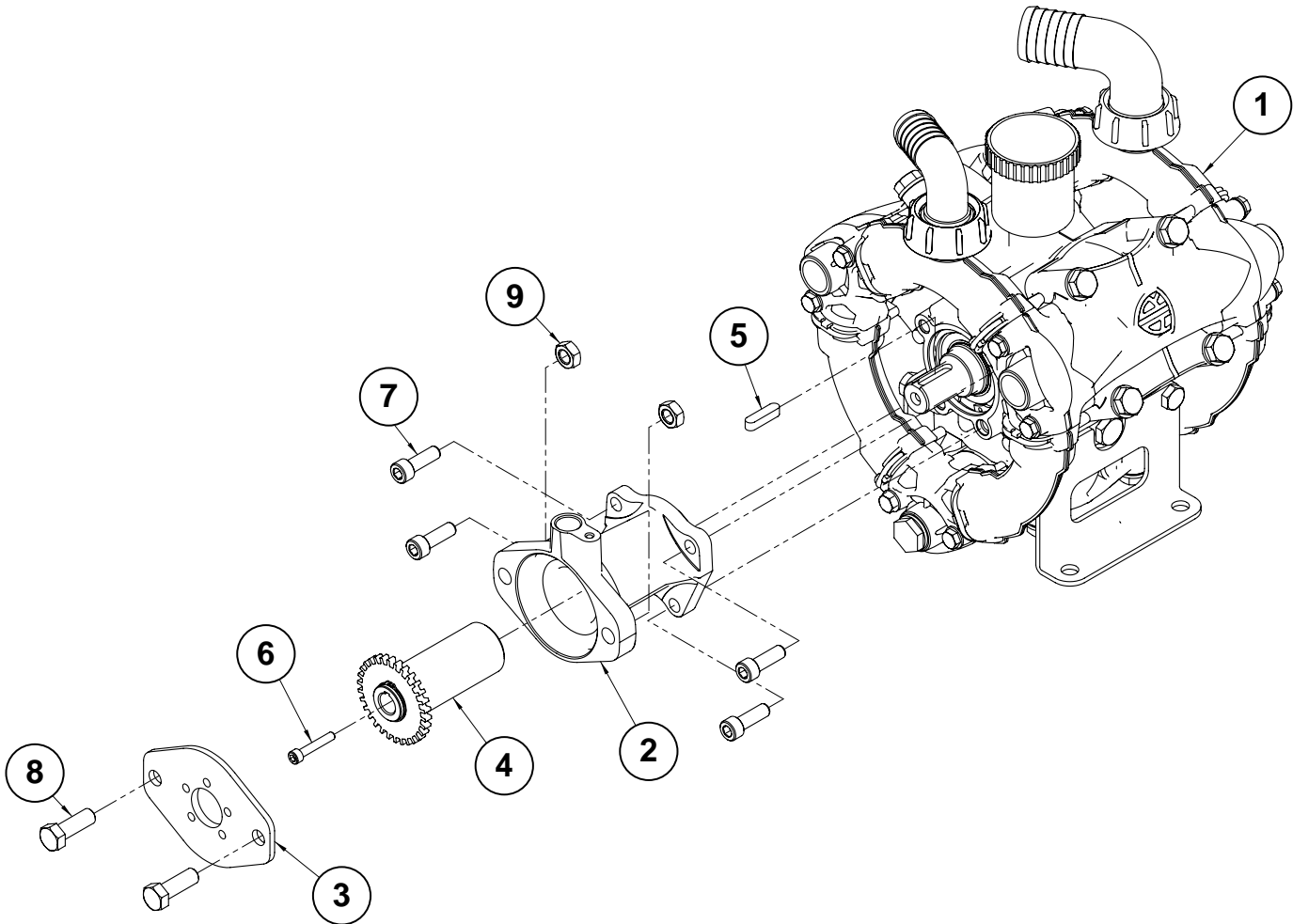
ITEM	PART NO.	QTY.	DESCRIPTION
1	G10991401	1	Speed Sensor Assembly
2	G10556101	1	Eaton Hydraulic Motor
3	G6801-06	1	Elbow W/O-Ring, 90°, 9/16"-18 Male JIC To O-Ring
4	G10827701	1	Diaphragm Pump Assembly
5	G6801-08-06	1	Elbow W/O-Ring, 90°, 3/4"-16 Male JIC To 9/16"-18 O-Ring
6	G10532101	5	Hex Socket Head Cap Screw, 1/4"-28 x 3/4"
7	G10064	1	Hex Head Cap Screw, 1/4"-20 x 1"

# Diaphragm Pump, AR120

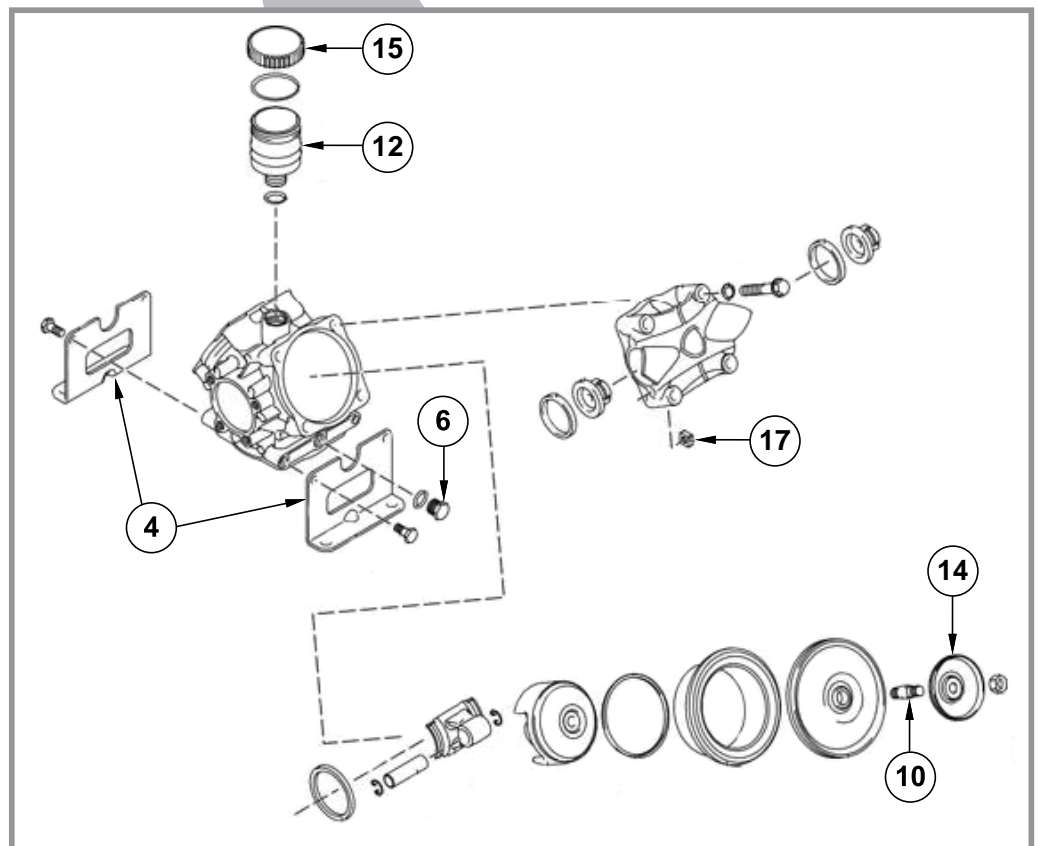
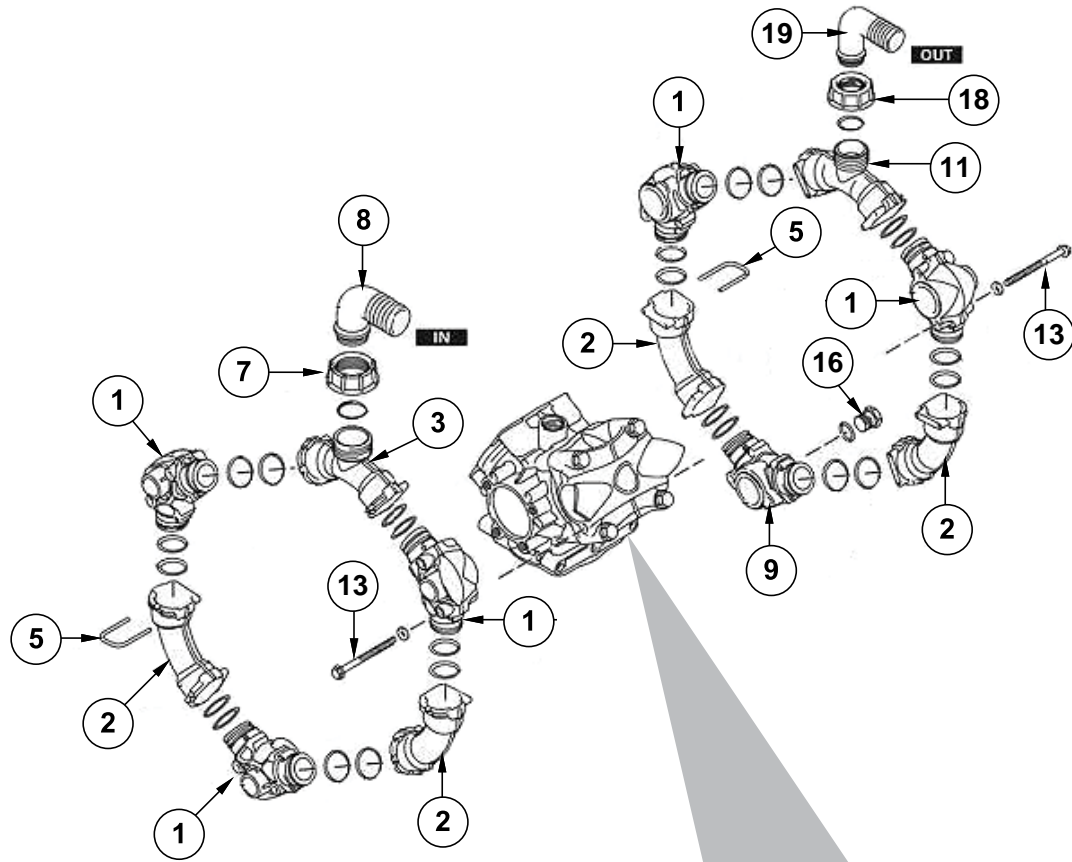
Model 3505

M0311-02

(108277)



ITEM	PART NO.	QTY.	DESCRIPTION
1	G10399301	1	Diaphragm Pump
2	G10611001	1	Hydraulic Motor Flange
3	G10814401	1	Hydraulic Motor Mount
4	G10556201	1	Coupler w/ Hall Effect Wheel
5	G10514101	1	Oval Shaft Coupler Key
6	G12222-35	1	Hex Socket Head Cap Screw, M6-1.0 x 35MM
7	G10631801	4	Hex Socket Head Cap Screw, M10-1.50 x 30MM
8	G12002-35	2	Hex Head Cap Screw, M12-1.75 x 35
9	G12068	2	Hex Nylon Locknut, M12-1.75



## Diaphragm Pump Assembly

Model 3505

M0311-02

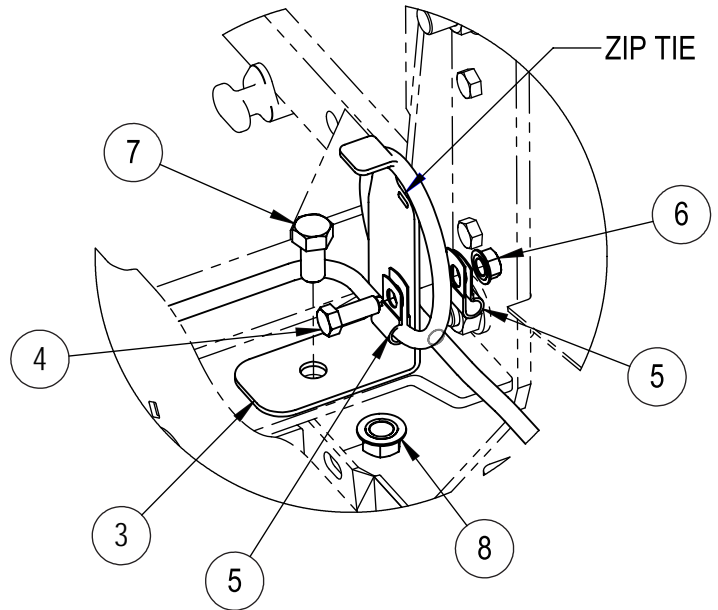
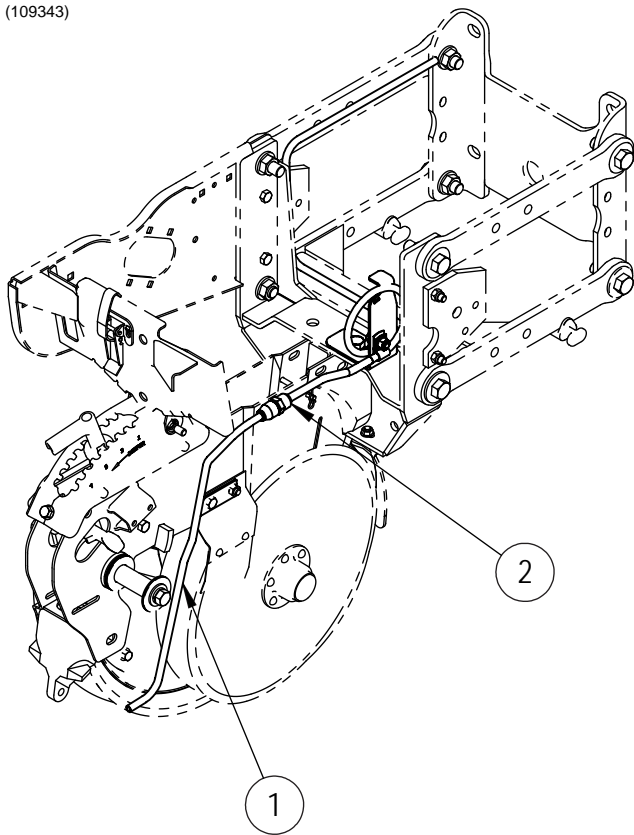
ITEM	PART NO.	QTY.	DESCRIPTION
1	G10976301	5	Manifold
2	G10976401	4	Manifold
3	G10976501	1	Manifold
4	G10975601	2	Foot Mount
5	G10976601	12	Fork Clip
6	G10975701	1	Oil Drain Plug
7	G10976701	1	Ring Nut
8	G10976801	1	Hose Barb, 11/2"
9	G10976901	1	Manifold
10	G10976101	3	Hub Pin
11	G10977001	1	Manifold
12	G10975801	1	Tank Sight Glass
13	G10977101	12	Manifold Mount Bolt
14	G10976201	3	Plate
15	G10975901	1	Sight Glass Cap
16	G10977201	1	Drain Plug, Fertilizer
17	G10976001	12	Square Nut, M8
18	G10977301	1	Ring Nut
19	G10977401	1	Hose Barb, 11/4"
A	G10399301	1	Diaphragm Pump Assembly
B	G10513001	1	AR Pump Winterizer, No. 64511
C	G10513101	2	AR Pump Oil, No. 6453D
D	G10434301	1	AR120 Pump Service Kit
E	G10764001	1	AR120 Pump LFP O-Ring Service Kit
F	G10764101	1	AR120 Pump LFP Valve Service Kit

# Liquid Fertilizer Drop Tube Assembly

M0311-02

Model 3505

(109343)



ITEM	PART NO.	QTY.	DESCRIPTION
1	GA18822	1	Liquid Fertilizer Tube
2	GD29625	1	Connector, 1/4" NPT x 3/8"
3	G10948201	1	Hose Loop Bracket
4	G10001	1	Hex Head Cap Screw, 3/8"-16 x 1
5	GD6291	2	Insulated Clamp, 3/8"
6	G10622	1	Serrated Flange Nut, 3/8"-16
7	G10014	1	Hex Head Cap Screw, 1/2"-13 x 1"
8	G10071	1	Serrated Flange Nut, 1/2"-13

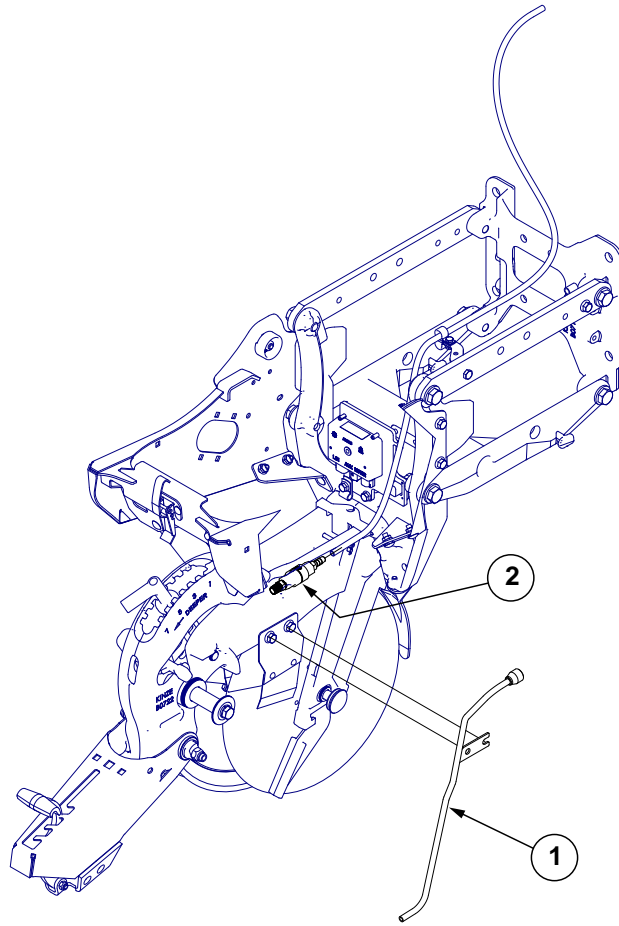


# Liquid Fertilizer Tube In Furrow

Model 3505

M0311-02

(A18821a)



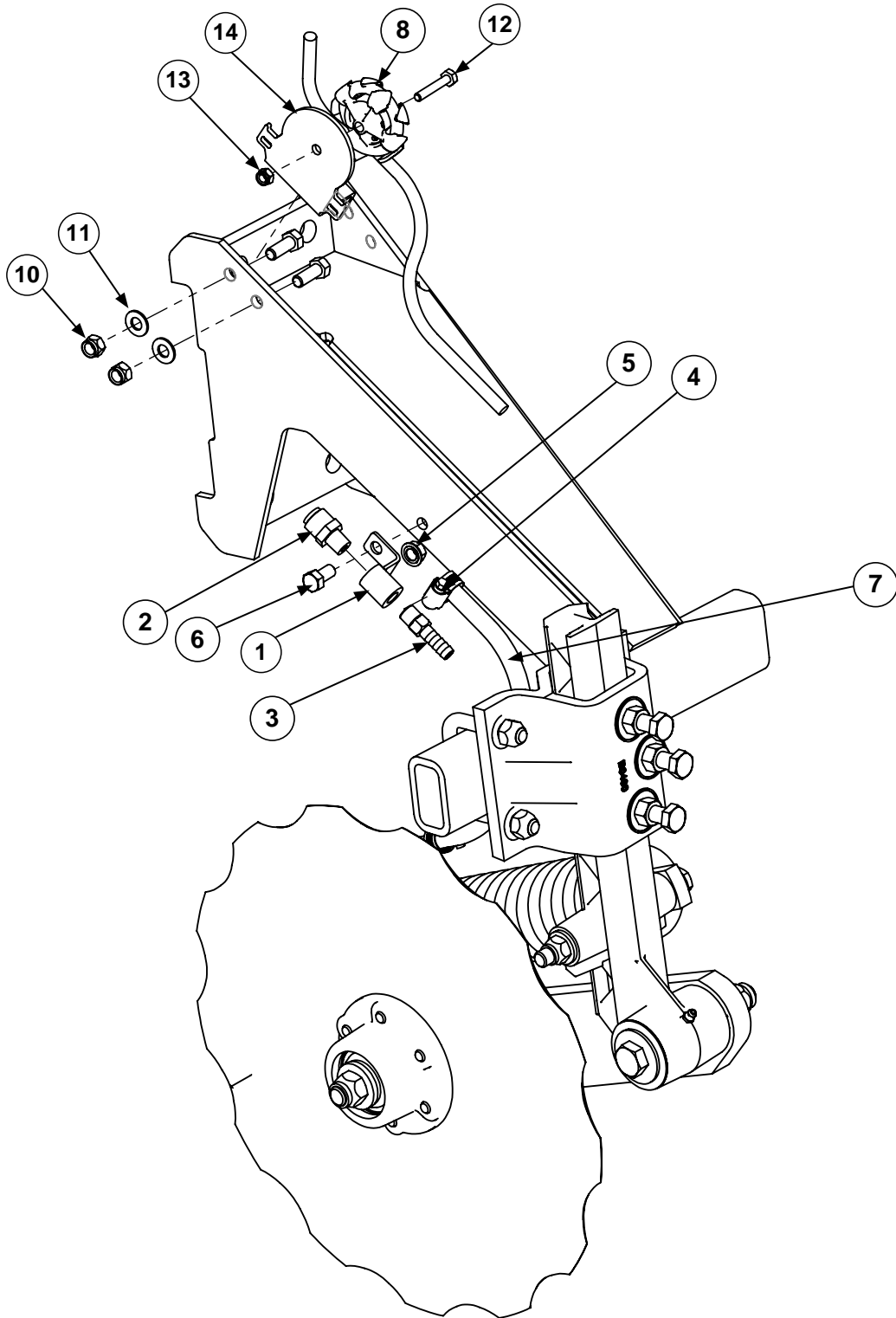
ITEM	PART NO.	QTY.	DESCRIPTION
1	GA18822	-	Liquid Fertilizer Tube
2	GA20583	-	Check Valve Assembly

# Hose Adapter Assembly

M0311-02

Model 3505

(107138)



## Hose Adapter Assembly

Model 3505

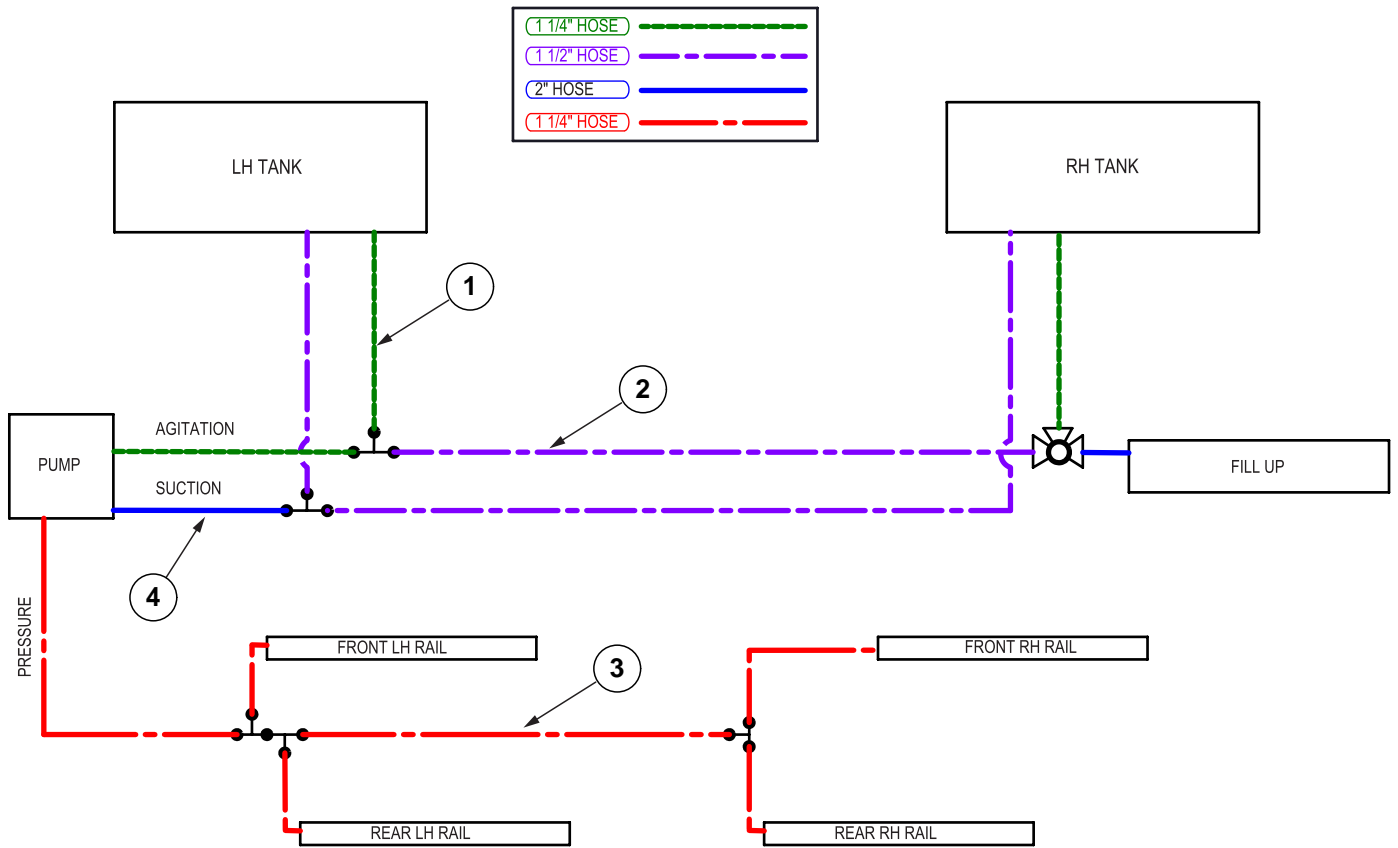
M0311-02

ITEM	PART NO.	QTY. (Per Assy.)	DESCRIPTION
1	GA18576	1	Fertilizer Tube Adapter
2	GD29625	1	Connector, 1/4" NPT x 3/8"
3	GD11700	1	Adapter, 1/4" NPT To 3/8" Barb
4	G10681	2	Hose Clamp, No. 6
5	G10622	1	Serrated Flange Nut, 3/8"-16
6	G10002	1	Hex Head Cap Screw, 3/8"-16 x 3/4"
7	G4301-11	1	Clear Plastic Tube, 3/8" x 16
8	G10944501	1	Fertilizer Air Lock Loop Holder
9	G10001	2	Hex Head Cap Screw, 3/8"-16 x 1"
10	G10108	2	Lock Nut, 3/8"-16
11	G10203	2	Washer, 3/8" SAE
12	G10021	1	Hex Head Cap Screw, 1/4"-20 x 1 1/2"
13	G10110	1	Lock Nut, 1/4"-20, Grade B
14	G10992701	1	Loop Holder Bracket

# Hoses for BV-controlled Liquid Fertilizer

M0311-02

Model 3505



ITEM	PART NO.	QTY. (per Assy)	DESCRIPTION
1	G10616801	-	HOSE EPDM/POLYETHYLENE HELIX 1.8 OD X 1-1/4 ID X 1200 IN
2	G10616701	-	HOSE EPDM/POLYETHYLENE HELIX 2.1 OD X 1-1/2 ID X 1200 IN
3	G10616501	-	HOSE EPDM/WIRE HELIX 1.61 OD X 1-1/4 ID X 1200 IN
4	G10616601	-	HOSE EPDM/POLYETHYLENE HELIX 2.6 OD X 2 ID X 1200 IN

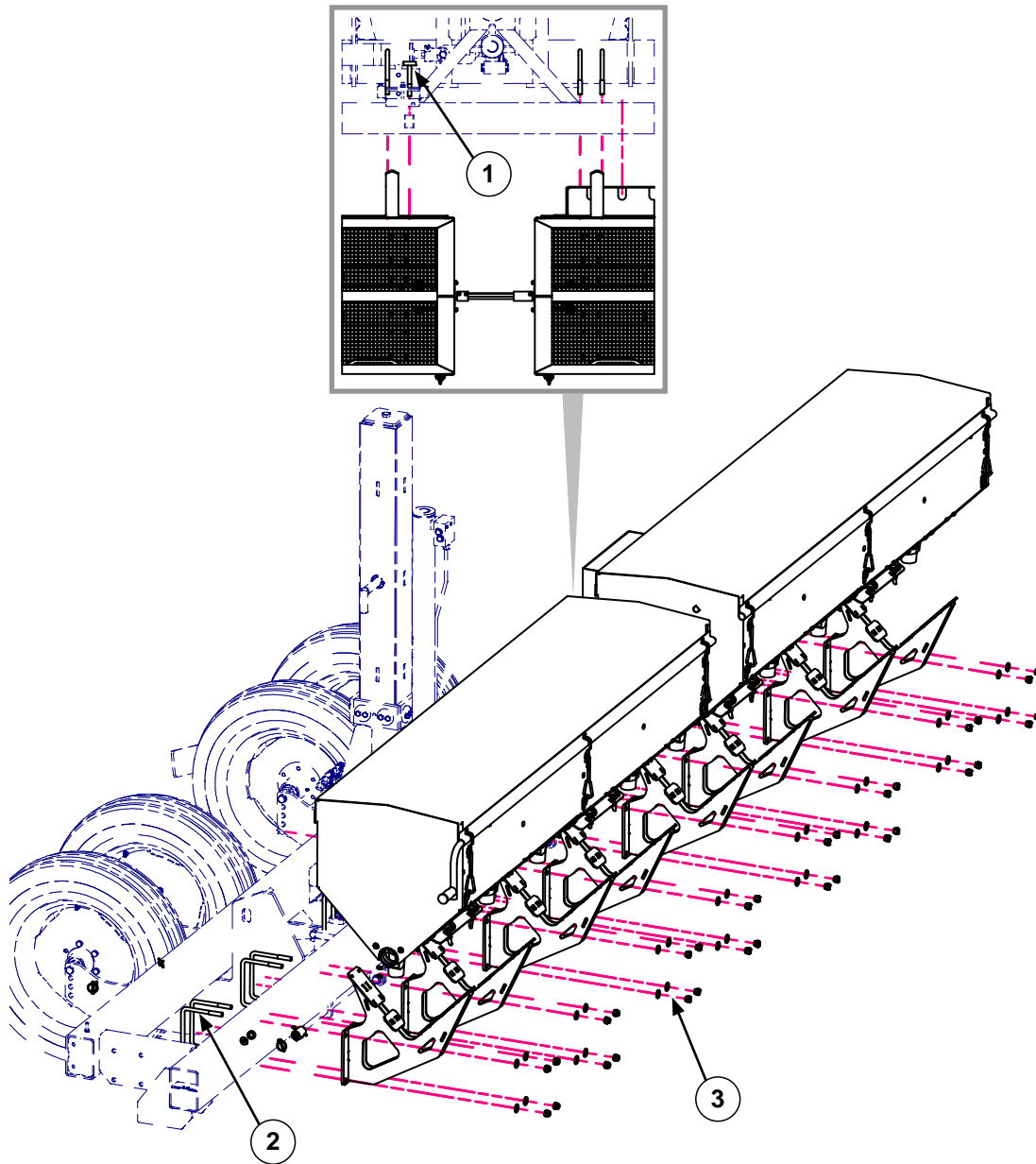
\*Fertilizer hoses sold in bulk only.

# Dry Fertilizer Tank Mounts

Model 3505

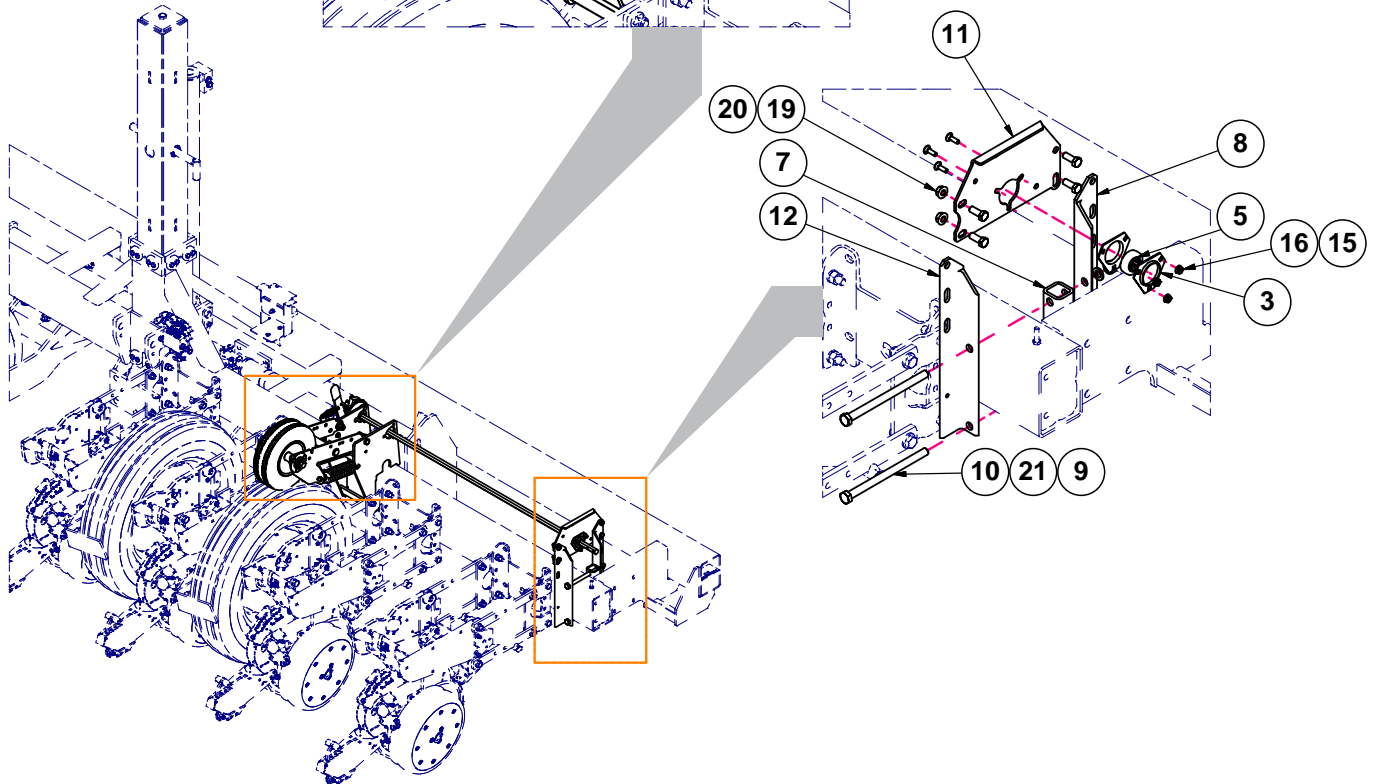
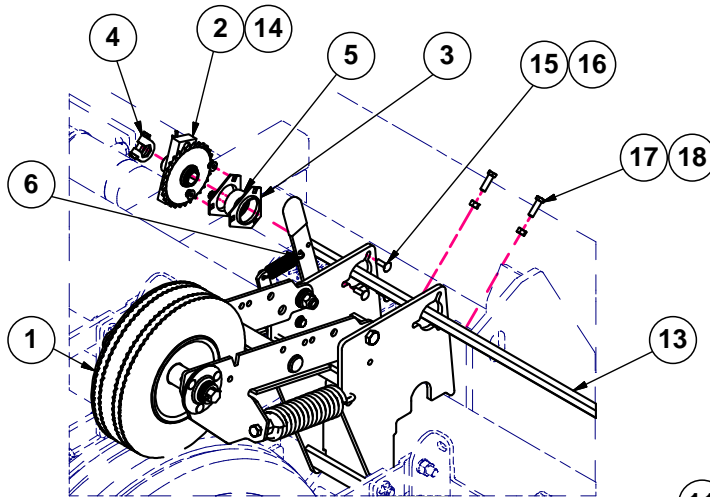
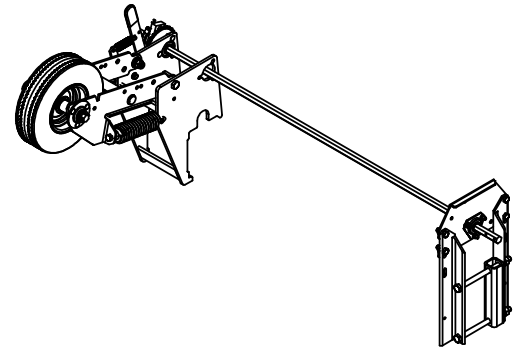
M0311-02

(A25750)



ITEM	PART NO.	QTY.	DESCRIPTION
1	GA13587	2	T-Bolt, 5/8"-11 x 5"
2	GD1113	15	U-Bolt, 4" x 7" x 1/2"-13
3	G11391	32	Flat Washer, 5/8" SAE
	G10107	32	Lock Nut, 5/8"-11

(A27177)



## Ground Contact Drive Add-On For Fertilizer

Model 3505

M0311-02

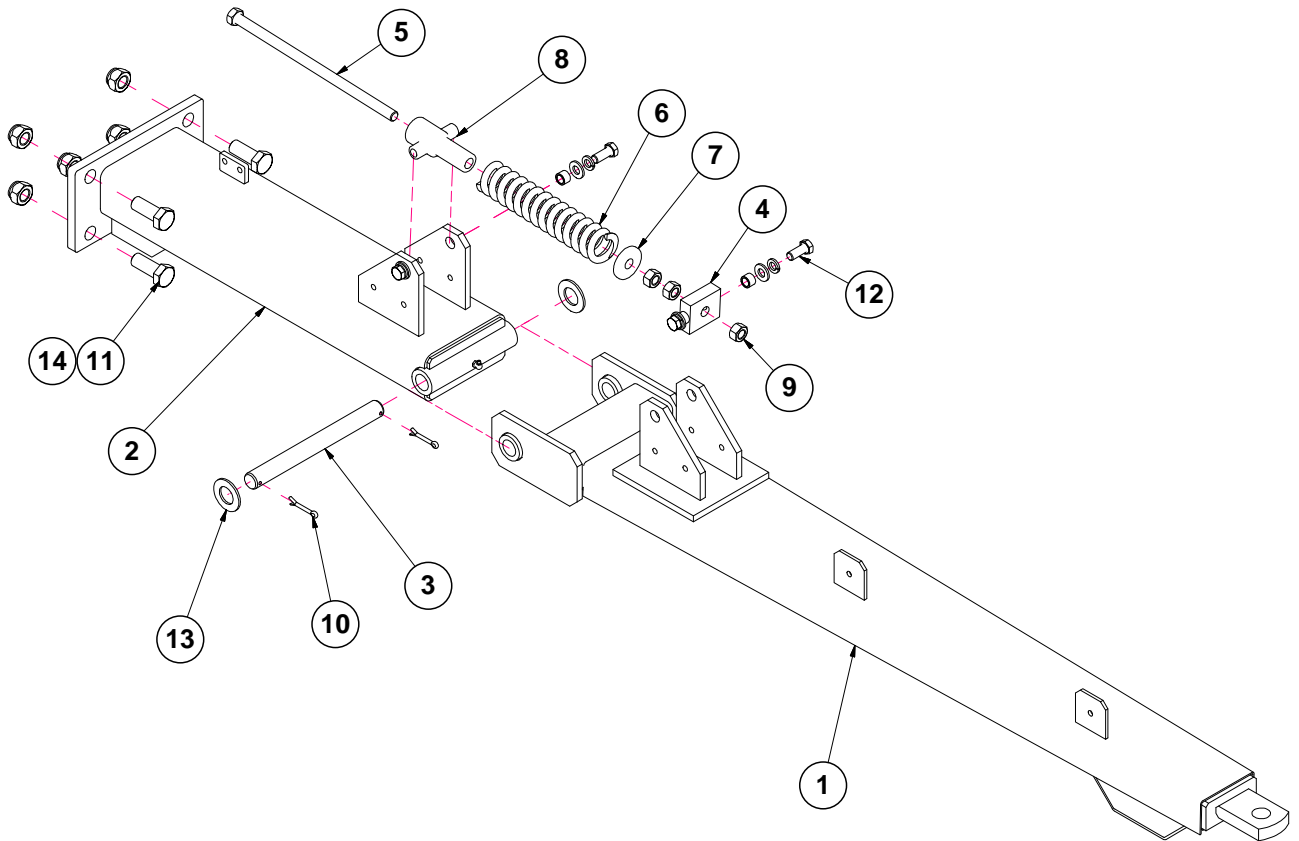
ITEM	PART NO.	QTY.	DESCRIPTION
1	---	-	Contact Drive Cross Reference
2	GA5164	1	Ratchet/Sprocket Assembly
3	G3400-01	4	Flangette
4	GA11331	1	Hex Lock Clamp Assembly
5	G2100-03	2	Bearing, 7/8" Hex Bore, Spherical
6	---	-	Idler Arm Cross Reference
7	GD9047	1	Spacer
8	GD30624	1	Anlge Support
9	G10230	2	Lock Washer, 5/8"
10	G10104	2	Hex Nut, 5/8"-11
11	GD36878	1	Reverser Plate
12	GD36879	1	Support Angle, L.H.
13	G10020001	1	Drive Shaft, 7/8" x 64"
14	G3310-116	1	Chain, No. 40, 116 Pitch Including Connector Link
15	G10303	6	Carriage Bolt, 5/16"-18 x 1"
16	G10620	6	Serrated Flange Nut, 5/16"-18
17	G10004	2	Hex Head Cap Screw, 3/8"-16 x 1 1/4"
18	G10101	2	Hex Nut, 3/8"-16
19	G10037	4	Hex Head Cap Screw, 1/2"-13 x 1 1/4"
20	G10071	4	Serrated Flange Nut, 1/2"-13
21	G10152	2	Hex Head Cap Screw, 5/8"-11 x 9"

# Rear Trailer Hitch

M0311-02

Model 3505

(A27126)



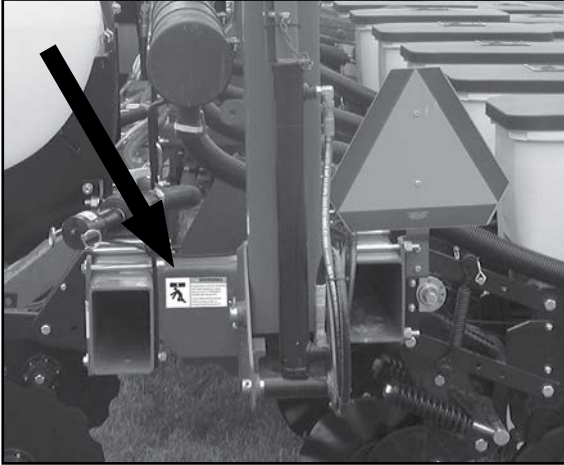
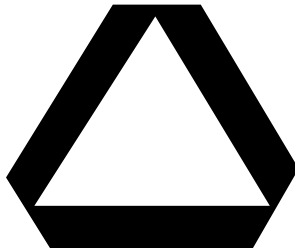

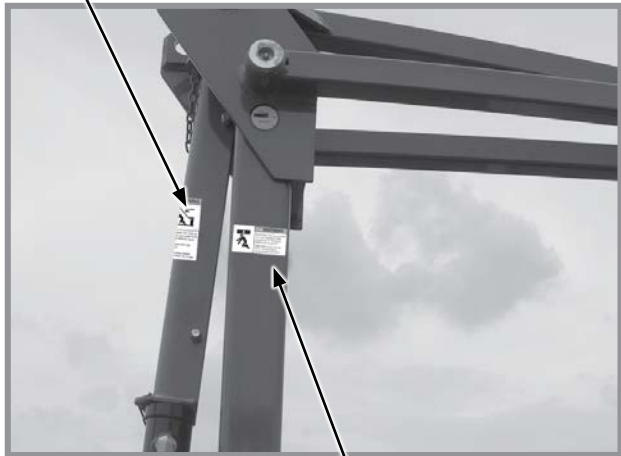


ITEM	PART NO.	QTY.	DESCRIPTION
1	GA6961	1	Hitch
2	GA27127	1	Hitch
3	GD3547	1	Pin, 1 1/4" x 12 3/4"
4	GD7908	1	Tap Block
5	GD7907	1	Special Bolt
6	GD2115	1	Spring
7	GD34923	1	Spring Seat
8	GB0206	1	Rod Guide
9	G10105	3	Hex Nut, 3/4"-10
10	G10460	2	Cotter Pin, 1/4" x 2"
11	G10826	5	Hex Head Cap Screw, 1"-8 x 2 1/2"
12	G10007	4	Hex Head Cap Screw, 5/8"-11 x 1 1/2"
	G10230	4	Lock Washer, 5/8"
	G11391	4	Flat Washer, 5/8" SAE
	GB0218	4	Bushing, 21/32" I.D. x 7/8" O.D. x 19/32" Long
13	G11396	2	Flat Washer, 1 1/4" SAE
14	G10396	5	Lock Nut, 1"-8



Decals, Paint, and Miscellaneous

Model 3505

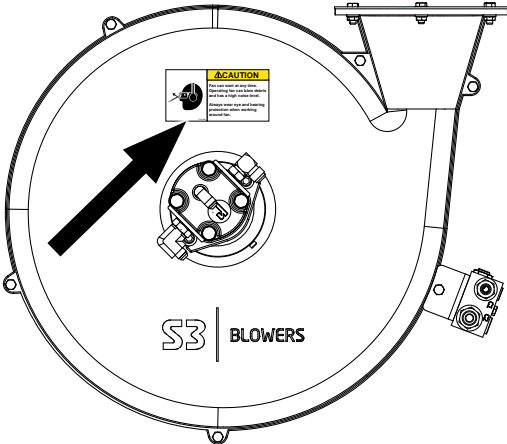

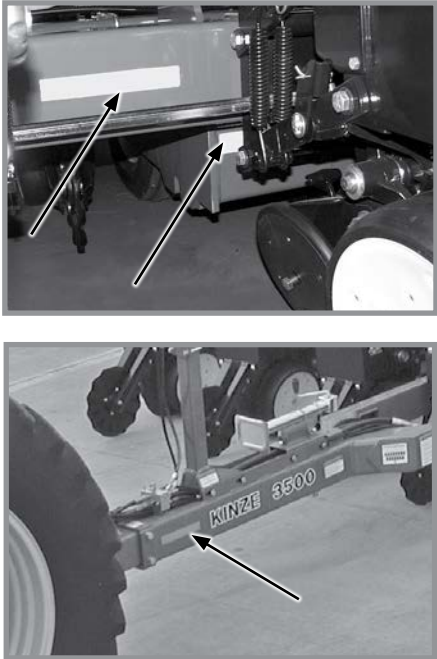
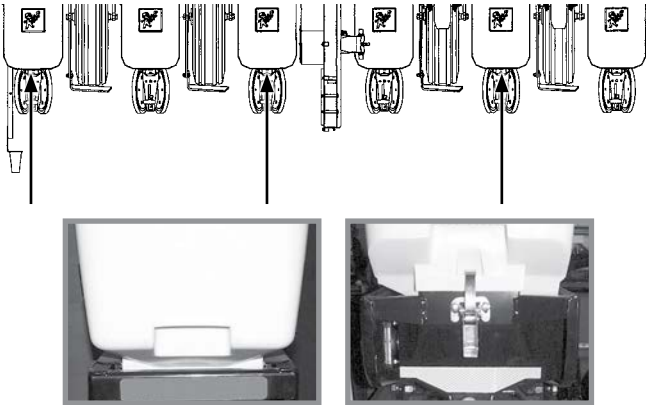
M0311-02

	
	<p>Part No.: GD2199 Description: SMV Sign Quantity: 1</p>
	
	<p>Part No.: G10367401 Description: Decal, Crush Warning (2021 Production and on) Quantity: 1 (Per Contact Wheel Assembly)</p>
<p>G10366901</p>  <p>G10367401</p>	
	<p>Part No.: G10366901 Description: Decal, Warning (2021 Production and on) Quantity: 1 (Per Row Marker Cylinder - Conventional) 4 (2 Per Row Marker)</p>
	
	<p>Part No.: G10367401 Description: Decal, Crush Warning (2021 Production and on) Quantity: 1 (Per Contact Wheel Assembly)</p>

# Decals, Paint, and Miscellaneous

M0311-02



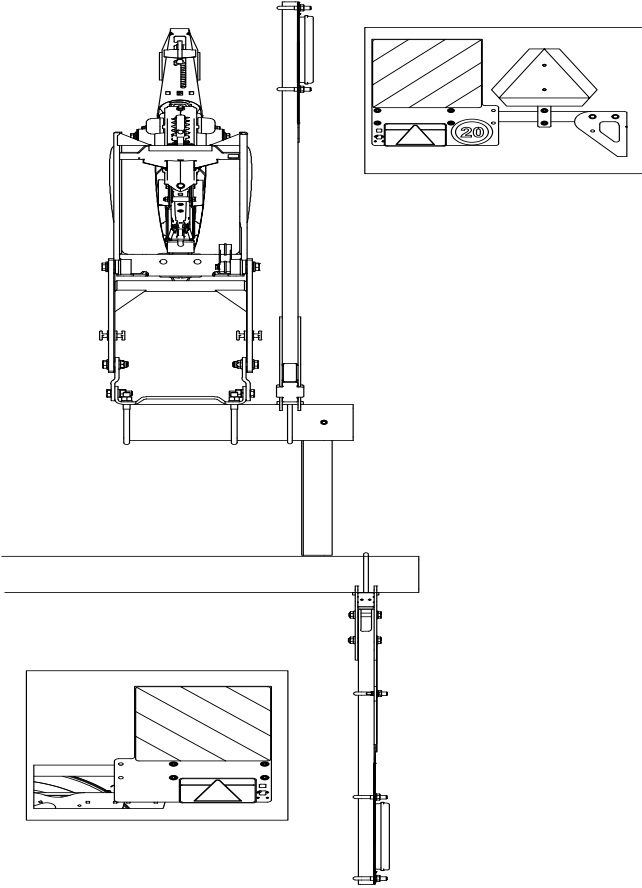

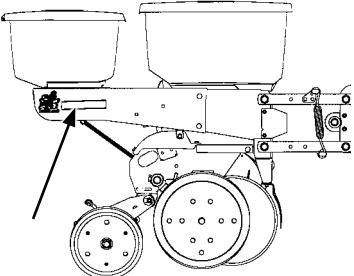

Model 3505

	
	<p>Part No.: G10367101          Description: Decal, Caution          Quantity: 4 (One On Each Side Of Fan)</p> <hr/> <p>Part No.: G7100-558          Description: Reflective Decal, Amber, 2" x 9", Rectangular          Quantity: 7 On 6 Row/Qty. 8 On 8 Row (Located on the front planter toolbar in front of every other row unit beginning on the L.H. side of the planter and forward-facing on the outer ends of The transport axle. One located on each side of hitch.)</p>
	<p>Part No.: G7100-558          Description: Reflective Decal, Amber, 2" x 9", Rectangular          Quantity: 2 (Per Row Unit - Located On The Granular Chemical Hopper Panel Extension Of Every Other Row Unit Beginning On The L.H. Side Of The Planter - Side-Facing In Transport Position)</p> <p>Part No.: G7100-262          Description: Reflective Decal, Amber, 1 1/4" x 9", Die-Cut          Quantity: 1 (Qty. 1 Per Row Unit - Located On The Hopper Support Of Every Other Row Unit Beginning On The L.H. Side Of The Planter - Side-Facing In Transport Position)</p>

## Decals, Paint, and Miscellaneous

Model 3505

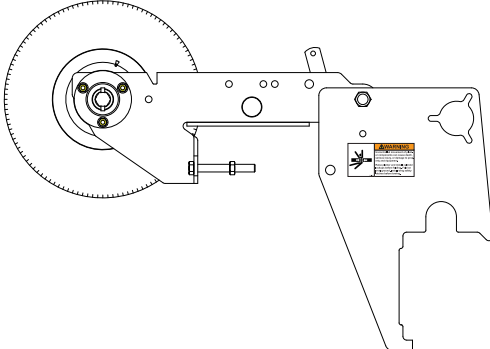

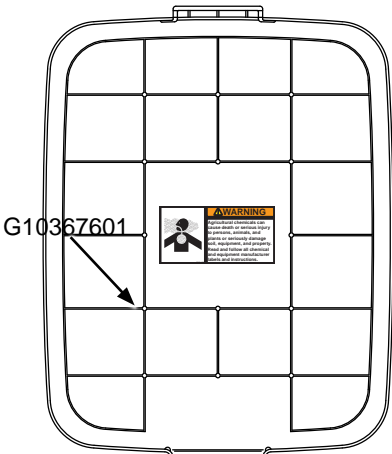



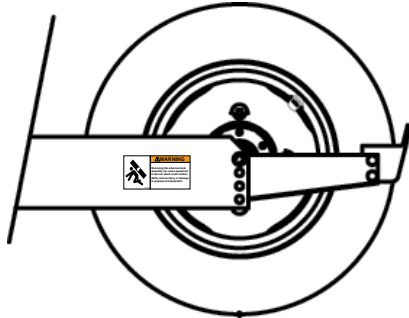

M0311-02

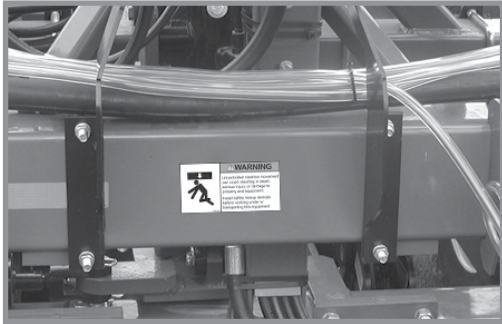
	
	<p>Part No.: G7100-557                  Description: Reflective Decal, Red, 2" x 9" Rectangular                  Quantity: 1 (Per Scraper - Located On Top)</p>
	
	<p>Part No.: G7100-559                  Description: Reflective Decal, Orange, 2" x 9" Rectangular                  Quantity: 1 (Per Scraper - Located On Bottom)</p>
<p style="text-align: center;"><b>With Granular Chemical Option</b></p> 	
	<p>Part No.: G7100-558                  Description: Reflective Decal, Amber, 2" x 9", Rectangular                  Quantity: 1 (Located On The Outer Row Unit On The R.H. Side Of The Planter - Forward- Facing In Transport Position)</p>

Decals, Paint, and Miscellaneous

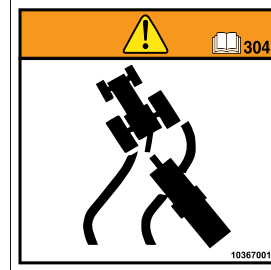
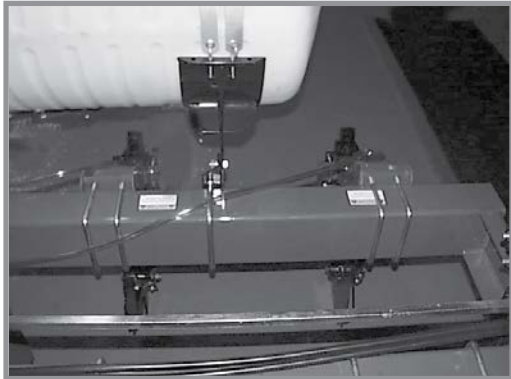
M0311-02

Model 3505

		
<p>Part No.: G10366801                  Description: Decal, Warning (2021 Production and on)                  Quantity: 1 (Per Contact Wheel Assembly)</p>		
<p>Part No.: G10367601                  Description: Decal, Chemical Warning (2021 Production and on)                  Quantity: 1 (1 Per Row Unit - Located On Underside Of Granular Chemical Hopper Lid)</p>		
<p>Part No.: G10371901                  Description: Decal, Lifting Caution (2021 Production and on)                  Quantity: 1 (Located On Push Row Unit Lift Lever)</p>		
<p>Part No.: G10367301                  Description: Decal, Warning                  Quantity: -</p>		



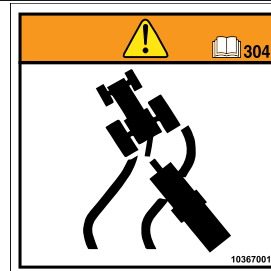
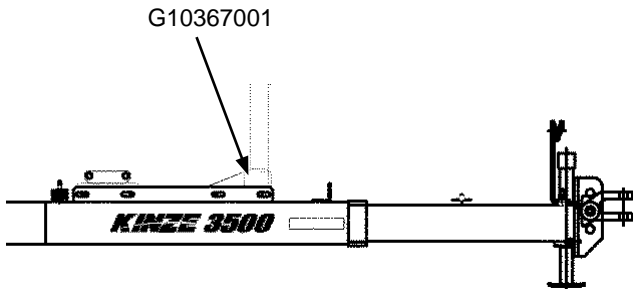
Part No.: G10367401  
 Description: Decal, Crush Warning (2021 Production and on)  
 Quantity: 1



Part No.: G10367001  
 Description: Decal, Warning (2021 Production and on)  
 Quantity: 1



Part No.: G10367401  
 Description: Decal, Crush Warning (2021 Production and on)  
 Quantity: 1

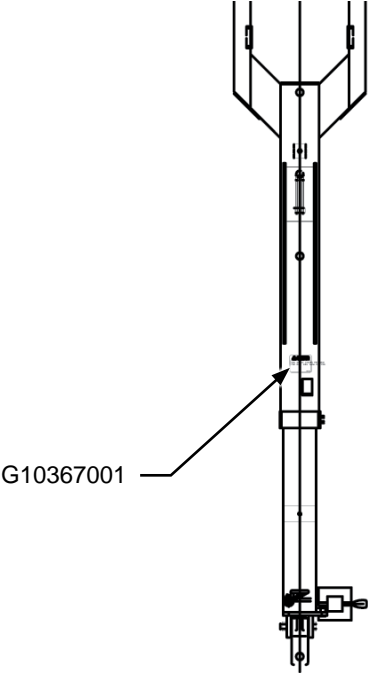
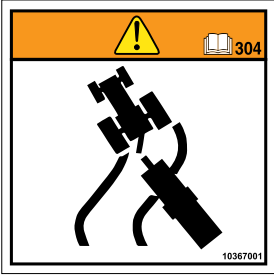
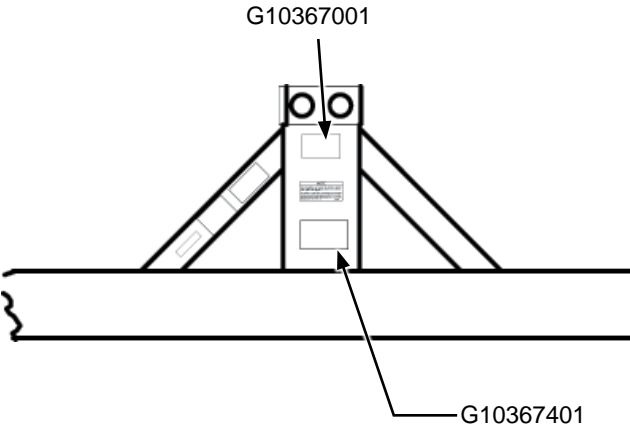
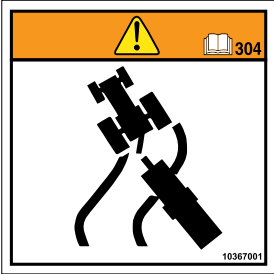
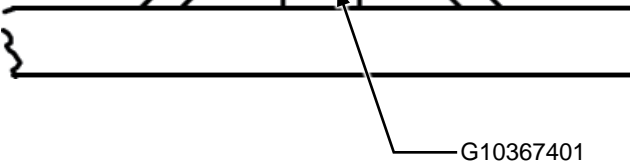



Part No.: G10367001  
 Description: Decal, Warning (2021 Production and on)  
 Quantity: 1

Decals, Paint, and Miscellaneous

M0311-02

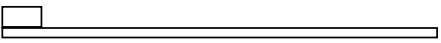
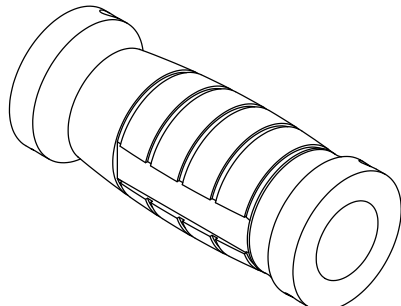
Model 3505

 <p>G10367001</p>		
<p>Part No.: G10367001                  Description: Decal, Warning (2021 Production and on)                  Quantity: 1</p>	 <p>G10367001</p> <p>G10367401</p>	
<p>Part No.: G10367001                  Description: Decal, Warning (2021 Production and on)                  Quantity: 1</p>	 <p>G10367401</p>	
<p>Part No.: G10367401                  Description: Decal, Crush Warning (2021 Production and on)                  Quantity: 1</p>		

**Decals, Paint, and Miscellaneous**

Model 3505

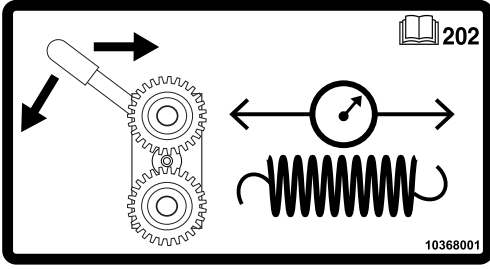
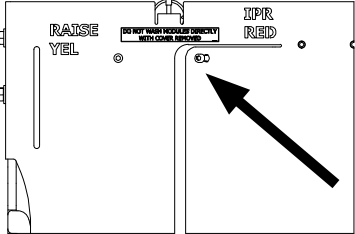
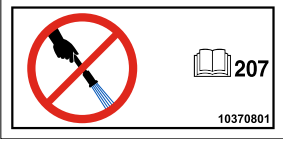
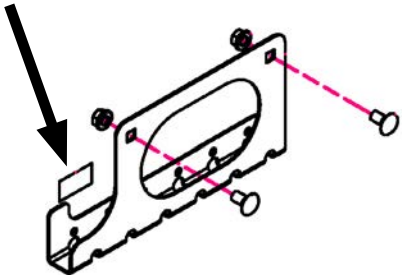

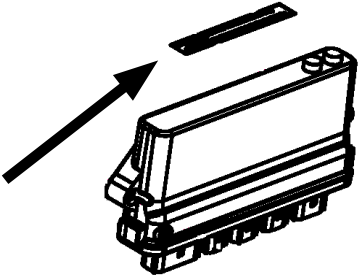



M0311-02

	<p>Part No.: GD2984 Description: Tie Strap, 33"-36"</p> <p>Part No.: GD1512 Description: Tie Strap, 7½"</p> <p>Part No.: GD2117 Description: Tie Strap, 14½"</p> <p>Part No.: GD2984 Description: Tie Strap, 34"</p>
	<p>Part No.: GA26924-01 Description: Hose Label Cover, Red, Extend</p> <p>Part No.: GA26924-02 Description: Hose Label Cover, Red, Retract</p> <p>Part No.: GA26924-03 Description: Hose Label Cover, Blue, Extend</p> <p>Part No.: GA26924-04 Description: Hose Label Cover, Blue, Retract</p> <p>Part No.: GA26924-05 Description: Hose Label Cover, Green, Extend</p> <p>Part No.: GA26924-06 Description: Hose Label Cover, Green, Retract</p> <p>Part No.: GA26924-07 Description: Hose Label Cover, Yellow, Extend</p> <p>Part No.: GA26924-08 Description: Hose Label Cover, Yellow, Retract</p> <p>Part No.: GA26924-09 Description: Hose Label Cover, White, Extend</p> <p>Part No.: GA26924-10 Description: Hose Label Cover, White, Retract</p> <p>Part No.: GA26924-11 Description: Hose Label Cover, Orange, Retract</p>

Decals, Paint, and Miscellaneous

M0311-02

Model 3505

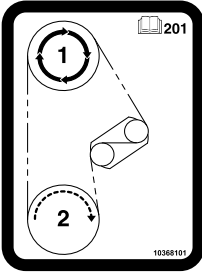
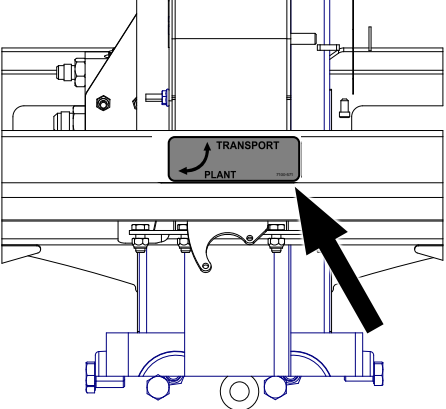
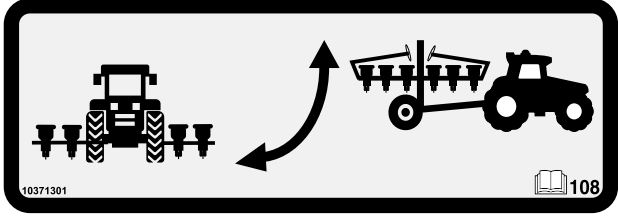
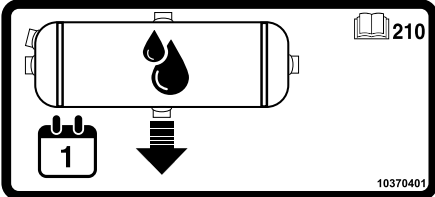
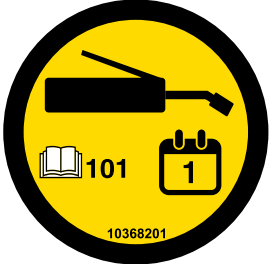

	<p>Part No.: G10368001                  Description: Decal, Spring Tension Release                  Quantity: -</p>
	 <p>Part No.: G10370801                  Description: Decal, IPN/IPR                  Quantity: 1</p>
	 <p>Part No.: G7100-610                  Description: Decal, Meter Wire                  Quantity: 1</p>
	 <p>Part No.: G10371001                  Description: Decal, Meter Wire                  Quantity: 1</p>
	<p>Part No.: G10367201                  Description: Decal, Warning                  Quantity: 1</p>
	<p>Part No.: G10367901                  Description: Decal, Instruction                  Quantity: -</p>



# Decals, Paint, and Miscellaneous

Model 3505



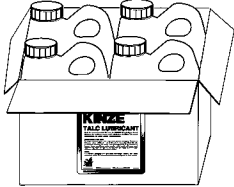
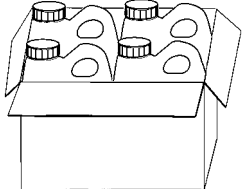




M0311-02

	<p>Part No.: G10368101                  Description: Decal, Transmission (2021 Production and on)                  Quantity: 1</p>
	 <p>Part No.: 10371301                  Description: Decal, Transport Valve</p>
	<p>Part No.: G10371801                  Description: Decal, Tank Drain</p>
	<p>Part No.: G10368201                  Description: Decal, Oil/Grease Daily (2021 Production and on)                  Quantity: -</p>
	<p>Part No.: G10371501                  Description: Decal, Oil/Grease Weekly                  Quantity: -</p>

Decals, Paint, and Miscellaneous

M0311-02

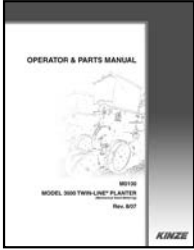
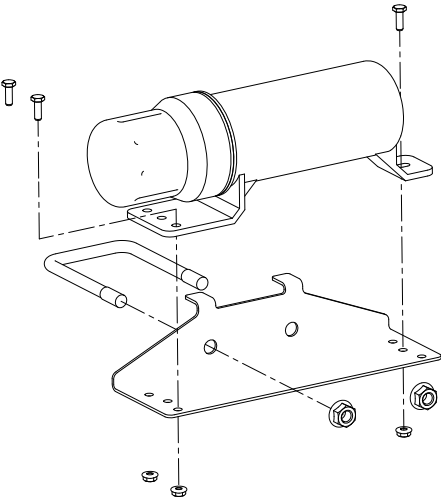

Model 3505

	<p>Part No.: GR2127MPP Description: Blue Paint, Twelve Aerosol Cans</p>
	<p>Part No.: GR0146 Description: Powdered Graphite, 1 Pound Container Part No.: GR0146MPP Description: Powdered Graphite, Twenty-Four 1 Pound Containers</p>
	<p>Part No.: GR1570MPP Description: Talc Lubricant, Four 8 Pound Containers</p>
	<p>Part No.: GR1842MPP Description: Graphite Lubricant, Four 5 Pound Containers</p>
	<p>Part No.: GR2240MPP Description: Talc/Graphite Blend (80 Talc/20 Graphite), Four 8 Pound Containers</p>
	<p>Part No.: GR2241MPP Description: Dispensing Cap, 10/Package</p>
	<p>Part No.: G10074001 Description: Decal, Kinze 3505 Quantity: 2 (1 On Each Side of Hitch)</p>
	<p>Part No.: G10227601 Description: Decal, 3505 Blue Drive Quantity: 2 (1 On Each Side Of Hitch)</p>

## Decals, Paint, and Miscellaneous

Model 3505

M0311-02

	<p>Part No.: English version- GM0311-01          Russian version- GM0311-01-RUS          Ukrainian version- GM0311-01-UKR          Romanian version- GM0311-01-ROM          Bulgarian version- GM0311-01-BGR</p> <p>Description: Operator's Manual, Model 3505</p> <p>Part No.: GM0311-02          Description: Parts Manual, Model 3505</p> <p>Part No.: GPR1094          Description: Binder (Contact Kinze Repair Parts To Order)</p>
	<p>Part No.: GA15422          Description: Operator's Manual Canister          Quantity: 1</p> <p>Part No.: GD22686          Description: Manual Canister Bracket          Quantity: 1</p> <p>Part No.: GD16642          Description: U-Bolt, 3" x 4" x 1/2"-13          Quantity: 1</p> <p>Part No.: G10071          Description: Serrated Flange Nut, 1/2"-13          Quantity: 2</p> <p>Part No.: G11166          Description: Hex Socket Flange Cap Screw, 1/4"-20 x 3/4"          Quantity: 3</p> <p>Part No.: G11320          Description: Lock Nut, 1/4"-20, Grade B          Quantity: 3</p>
	<p>Part No.: G7100-484          Description: Decal, American Flag</p>

**This page left blank intentionally.**

Part No.	Page	Part No.	Page	Part No.	Page	Part No.	Page
*10199901	P191	*A12015	P193	*A15092-155	P191	*A26936-250	P201
*10199901	P193	*A12015	P201	*A15092-155	P193	*A26937-269	P201
*A1018	P183	*A12038	P177	*A15092-155	P198	*A26938-110	P183
*A1029	P201	*A12038	P200	*A15094-175	P183	*A26938-110	P185
*A1078	P183	*A12080	P185	*A15098-150	P185	*A26938-110	P191
*A1078	P201	*A12080	P193	*A15098-150	P191	*A26938-110	P193
*A1090	P183	*A12080	P198	*A15098-150	P193	*A26938-266	P198
*A1121	P183	*A12767	P183	*A15098-150	P198	*A26939-140	P183
*A1153	P185	*A12767	P185	*A18644	P193	*A26940-260	P183
*A1153	P193	*A12937-24	P198	*A18644	P198	*A26941-112	P183
*A1154	P183	*A13870-72	P115	*A18667-32	P177	*A26941-112	P185
*A1155	P185	*A13870-74	P115	*A18667-72	P200	*A26941-112	P191
*A1155	P193	*A13870-82	P115	*A18667-180	P191	*A26941-112	P193
*A1421	P195	*A13870-93	P115	*A18667-180	P193	D0453-02	P154
*A1434	P185	*A13870-97	P115	*A18668-152	P183	*D12108	P165
*A3274	P193	*A13870-101	P115	*A18671-30	P177	*D12110	P165
*A3274	P198	*A13870-103	P115	*A18671-30	P200	*D12227	P165
*A3292	P185	*A13870-116	P115	*A18676-184	P198	*D12228	P165
*A3371	P187	*A13870-118	P115	*A18695-246	P191	*D12233	P166
*A3371	P189	*A13870-123	P115	*A18695-246	P193	*D12235	P166
*A3371	P195	*A13870-133	P115	*A21525-77	P183	*D12236	P166
*A6201	P187	*A13870-137	P115	*A21525-77	P185	*D12252	P165
*A6201	P189	*A13870-149	P115	*A21525-77	P191	*D12256	P166
*A6201	P195	*A15000	P183	*A21525-77	P193	*D12257	P165
A6524	P174	*A15000	P185	*A21525-77	P198	*D12277	P166
A7369	P143	*A15000	P191	*A21530-48	P177	D13426	P174
*A7677-20	P177	*A15000	P193	*A21530-140	P183	*D17151-20	P109
*A7677-20	P200	*A15000	P198	*A21530-140	P185	*D29649	P165
*A7678-13	P177	*A15023	P185	*A21530-140	P191	*D29692	P166
*A7678-13	P200	*A15064	P183	*A21530-140	P193	G1K248	P149
*A7678-19	P200	*A15081-24	P185	*A21530-140	P198	G1K248	P203
*A7678-20	P200	*A15081-27	P200	*A21533-30	P189	G1K248	P206
*A7680-10	P177	*A15081-32	P177	*A21533-36	P187	G1K252	P149
*A7680-10	P200	*A15081-32	P200	*A21533-36	P195	G1K252	P203
*A7680-11	P200	*A15081-95	P191	*A21542-64	P200	G1K252	P206
*A7680-14	P200	*A15081-95	P193	*A21548-120	P183	G1K253	P143
*A7680-15	P200	*A15081-95	P198	*A21548-120	P185	G1K268	P149
*A7680-35	P177	*A15081-128	P185	*A21548-120	P191	G1K268	P205
*A7680-35	P200	*A15082-77	P183	*A21548-120	P193	G1K269	P144
*A7681-58	P200	*A15082-77	P185	*A21550-288	P191	G1K296	P10
*A7682-25	P200	*A15082-77	P191	*A21550-288	P193	G1K320	P149
*A7682-35	P200	*A15082-77	P193	*A25504-19	P177	G1K320	P203
*A7682-58	P200	*A15082-77	P198	*A25504-19	P200	G1K320	P205
*A8213	P185	*A15082-77	P198	*A25504-186	P191	G1K321	P149
*A8213	P193	*A15082-132	P183	*A25504-186	P193	G1K321	P203
A9442	P166	*A15082-154	P185	*A25504-186	P198	G1K321	P205
*A11447	P187	*A15082-154	P193	*A25690-58	P200	G1K322	P205
*A11447	P189	*A15082-154	P198	*A25690-67	P200	G1K331	P66
*A11447	P195	*A15092-90	P183	*A25704-242	P198	G1K345	P12
*A11810-68	P198	*A15092-106	P183	*A25707-68	P198	G1K362	P206
*A11810-72	P198	*A15092-155	P183	*A25707-72	P198	G1K363	P206
*A12015	P185	*A15092-155	P185	*A26936-98	P183	G1K378	P147

Part No.	Page	Part No.	Page	Part No.	Page	Part No.	Page
G1K385	P32	G3310-92	P146	G6408-H06-O	P81	G6801-12-10	P175
G1K395	P149	G3310-108	P146	G6408-H06-O	P172	G6804-12	P88
G1K396	P149	G3310-116	P143	G6408-H06-O	P175	G7100-262	P289
G1K426	P81	G3310-116	P286	G6408-H08-0	P80	G7100-557	P290
G1K534	P59	G3310-122	P65	G6408-H08-0	P81	G7100-557	P290
G1K535	P59	G3310-124	P143	G6408-H08-0	P172	G7100-558	P289
G1K728	P33	G3310-172	P232	G6408-H10-0	P111	G7100-558	P289
G1K758	P6	G3310-172	P233	G6500-06	P172	G7100-558	P290
G1K759	P59	G3324-01	P130	G6500-06-08	P111	G7100-559	P290
G304-C-06	P79	G3400-01	P65	G6500-08	P172	G7100-577	P139
G304-C-8	P79	G3400-01	P142	G6500-08	P265	G7100-578	P139
G304-C-8	P169	G3400-01	P147	G6500-08-06	P169	G7100-578	P290
G304-C-10	P79	G3400-01	P239	G6500-10	P213	G7100-610	P73
G2100-03	P65	G3400-01	P286	G6500-12	P85	G7100-614	P33
G2100-03	P142	G4200-02	P237	G6500-12	P87	G7100-616	P42
G2100-03	P239	G4200-03	P237	G6500-12	P88	G8475X	P85
G2100-03	P286	G4301-02	P238	G6602-06	P177	G8475X	P87
G2403-08	P201	G4301-04	P238	G6602-06	P193	G8647X	P205
**G2403-08-06	P183	G4301-11	P282	G6602-08	P177	G9421X	P210
G2403-08-06	P191	G4425-02	P127	G6602-08	P193	G9897X	P22
G2403-08-06	P193	G4425-02	P129	G6602-10	P111	G9903X	P22
*G2403-10	P183	G4425-03	P129	G6602-10	P177	G10001	P12
G2403-10	P191	G4602-01	P237	G6602-10	P191	G10001	P59
G2403-10	P193	G4602-03	P274	G6602-10	P193	G10001	P77
*G2403-12-10	P183	G5000-08-04	P260	G6602-12	P85	G10001	P85
G2403-12-10	P191	G6325X	P6	G6602-12	P87	G10001	P87
G2403-12-10	P193	G6400-06	P170	G6801-04-04	P40	G10001	P105
G2406-08-06	P111	G6400-06-08	P79	G6801-06	P213	G10001	P105
G2406-08-06	P201	G6400-06-08	P80	G6801-06	P275	G10001	P106
G2406-12-08	P85	G6400-06-08	P81	G6801-06-04	P75	G10001	P109
G2406-12-08	P87	G6400-06-08	P172	G6801-06-04	P79	G10001	P121
G2501-12-16	P85	G6400-06-10	P111	G6801-06-04	P112	G10001	P123
G2501-12-16	P87	G6400-06-10	P112	G6801-06-08	P111	G10001	P123
G2501-16-20	P85	G6400-06-10	P124	G6801-06-10	P75	G10001	P131
G2501-16-20	P87	G6400-08	P79	G6801-06-10	P85	G10001	P161
G2503-20	P95	G6400-08	P80	G6801-06-10	P85	G10001	P169
G2603-06	P111	G6400-08	P153	G6801-06-10	P111	G10001	P211
G2603-06	P177	G6400-08	P157	G6801-06-10	P124	G10001	P239
G2603-06	P191	G6400-08	P165	G6801-08	P153	G10001	P260
G2603-06	P193	G6400-08	P265	G6801-08	P157	G10001	P265
*G3292	P183	G6400-08-10	P80	G6801-08	P167	G10001	P282
G3303-41	P69	G6400-08-10	P81	G6801-08	P171	G10002	P8
G3303-78	P69	G6400-08-10	P172	G6801-08-06	P275	G10002	P26
G3303-96	P59	G6400-10	P80	G6801-08-10	P75	G10002	P30
G3303-96	P123	G6400-10	P85	G6801-08-10	P112	G10002	P167
G3303-108	P24	G6400-10	P175	G6801-08-12	P181	G10002	P181
G3303-108	P121	G6400-L-06	P169	G6801-10	P85	G10002	P228
G3303-114	P29	G6408-08	P165	G6801-10	P175	G10002	P282
G3303-124	P4	G6408-08	P166	G6801-10	P213	G10003	P4
G3303-124	P121	G6408-10	P124	G6801-10-12	P98	G10003	P16
G3310-80	P146	G6408-H04-0	P80	G6801-12	P88	G10003	P32
G3310-88	P239	G6408-H06-O	P80	G6801-12-10	P85	G10003	P85

Part No.	Page	Part No.	Page	Part No.	Page	Part No.	Page
G10003.....	P105	G10017.....	P147	G10047.....	P146	G10102.....	P87
G10003.....	P239	G10017.....	P228	G10047.....	P153	G10102.....	P105
G10003.....	P241	G10017.....	P232	G10047.....	P157	G10102.....	P145
G10004.....	P6	G10018.....	P162	G10047.....	P228	G10102.....	P145
G10004.....	P36	G10019.....	P10	G10049.....	P69	G10102.....	P147
G10004.....	P42	G10019.....	P151	G10053.....	P105	G10102.....	P147
G10004.....	P59	G10019.....	P151	G10053.....	P145	G10102.....	P151
G10004.....	P65	G10019.....	P159	G10053.....	P239	G10102.....	P154
G10004.....	P73	G10021.....	P282	G10061.....	P4	G10102.....	P155
G10004.....	P87	G10022.....	P268	G10061.....	P14	G10102.....	P159
G10004.....	P127	G10023.....	P26	G10061.....	P127	G10102.....	P159
G10004.....	P137	G10023.....	P30	G10061.....	P129	G10102.....	P228
G10004.....	P142	G10023.....	P88	G10062.....	P105	G10102.....	P232
G10004.....	P143	G10023.....	P107	G10064.....	P12	G10102.....	P237
G10004.....	P146	G10023.....	P209	G10064.....	P121	G10102.....	P239
G10004.....	P161	G10023.....	P214	G10064.....	P123	G10102.....	P239
G10004.....	P236	G10023.....	P215	G10064.....	P139	G10103.....	P235
G10004.....	P286	G10026.....	P137	G10064.....	P214	G10103.....	P265
G10005.....	P6	G10027.....	P140	G10064.....	P275	G10104.....	P6
G10005.....	P8	G10027.....	P214	G10069.....	P167	G10104.....	P6
G10005.....	P133	G10027.....	P274	G10071.....	P4	G10104.....	P59
G10006.....	P38	G10029.....	P274	G10071.....	P16	G10104.....	P73
G10006.....	P87	G10031.....	P10	G10071.....	P18	G10104.....	P115
G10006.....	P99	G10033.....	P38	G10071.....	P40	G10104.....	P146
G10006.....	P135	G10036.....	P34	G10071.....	P71	G10104.....	P153
G10006.....	P153	G10036.....	P239	G10071.....	P121	G10104.....	P157
G10006.....	P157	G10037.....	P18	G10071.....	P124	G10104.....	P228
G10006.....	P167	G10037.....	P40	G10071.....	P135	G10104.....	P237
G10007.....	P105	G10037.....	P63	G10071.....	P137	G10104.....	P239
G10007.....	P130	G10037.....	P71	G10071.....	P139	G10104.....	P239
G10007.....	P133	G10037.....	P83	G10071.....	P163	G10104.....	P246
G10007.....	P237	G10037.....	P135	G10071.....	P213	G10104.....	P265
G10008.....	P127	G10037.....	P145	G10071.....	P265	G10104.....	P274
G10008.....	P129	G10037.....	P239	G10071.....	P286	G10104.....	P286
G10010.....	P10	G10037.....	P265	G10071.....	P298	G10105.....	P137
G10010.....	P36	G10037.....	P286	G10101.....	P12	G10105.....	P237
G10010.....	P167	G10038.....	P147	G10101.....	P67	G10106.....	P143
G10011.....	P228	G10038.....	P155	G10101.....	P69	G10106.....	P151
G10013.....	P12	G10038.....	P239	G10101.....	P131	G10106.....	P151
G10014.....	P4	G10040.....	P151	G10101.....	P143	G10106.....	P167
G10014.....	P10	G10041.....	P109	G10101.....	P205	G10107.....	P12
G10014.....	P121	G10043.....	P107	G10101.....	P239	G10107.....	P34
G10014.....	P137	G10045.....	P38	G10101.....	P239	G10107.....	P99
G10014.....	P181	G10045.....	P105	G10101.....	P241	G10107.....	P127
G10014.....	P213	G10045.....	P154	G10101.....	P260	G10107.....	P129
G10016.....	P65	G10045.....	P155	G10101.....	P286	G10107.....	P130
G10016.....	P99	G10045.....	P159	G10102.....	P38	G10107.....	P135
G10016.....	P137	G10046.....	P228	G10102.....	P38	G10107.....	P140
G10017.....	P40	G10047.....	P59	G10102.....	P63	G10107.....	P161
G10017.....	P63	G10047.....	P69	G10102.....	P65	G10107.....	P167
G10017.....	P145	G10047.....	P123	G10102.....	P66	G10107.....	P228
G10017.....	P146	G10047.....	P130	G10102.....	P85	G10107.....	P229

Part No.	Page	Part No.	Page	Part No.	Page	Part No.	Page
G10107.....	P233	G10110.....	P117	G10168.....	P155	G10228.....	P105
G10108.....	P4	G10110.....	P121	G10168.....	P159	G10228.....	P145
G10108.....	P4	G10110.....	P123	G10168.....	P159	G10228.....	P145
G10108.....	P14	G10110.....	P124	G10168.....	P239	G10228.....	P147
G10108.....	P16	G10110.....	P127	G10169.....	P127	G10228.....	P147
G10108.....	P19	G10110.....	P129	G10169.....	P129	G10228.....	P151
G10108.....	P24	G10110.....	P159	G10169.....	P133	G10228.....	P154
G10108.....	P26	G10110.....	P181	G10171.....	P75	G10228.....	P155
G10108.....	P59	G10110.....	P245	G10171.....	P119	G10228.....	P159
G10108.....	P59	G10110.....	P260	G10171.....	P265	G10228.....	P159
G10108.....	P67	G10110.....	P282	G10177.....	P146	G10228.....	P159
G10108.....	P69	G10111.....	P12	G10201.....	P19	G10228.....	P232
G10108.....	P69	G10111.....	P34	G10201.....	P24	G10228.....	P237
G10108.....	P71	G10111.....	P38	G10201.....	P67	G10228.....	P239
G10108.....	P73	G10111.....	P38	G10201.....	P69	G10228.....	P239
G10108.....	P77	G10111.....	P83	G10201.....	P105	G10229.....	P12
G10108.....	P85	G10111.....	P85	G10203.....	P146	G10229.....	P26
G10108.....	P87	G10111.....	P99	G10203.....	P260	G10229.....	P30
G10108.....	P105	G10111.....	P105	G10203.....	P282	G10229.....	P36
G10108.....	P109	G10111.....	P131	G10204.....	P8	G10229.....	P142
G10108.....	P123	G10111.....	P139	G10204.....	P10	G10229.....	P143
G10108.....	P127	G10111.....	P145	G10207.....	P4	G10229.....	P146
G10108.....	P129	G10111.....	P146	G10207.....	P61	G10229.....	P146
G10108.....	P130	G10111.....	P161	G10209.....	P16	G10229.....	P205
G10108.....	P135	G10111.....	P181	G10209.....	P71	G10229.....	P239
G10108.....	P137	G10111.....	P211	G10209.....	P73	G10229.....	P239
G10108.....	P143	G10111.....	P215	G10210.....	P130	G10229.....	P241
G10108.....	P153	G10111.....	P228	G10211.....	P245	G10230.....	P6
G10108.....	P157	G10111.....	P228	G10211.....	P260	G10230.....	P6
G10108.....	P159	G10111.....	P229	G10216.....	P10	G10230.....	P10
G10108.....	P162	G10112.....	P140	G10217.....	P99	G10230.....	P12
G10108.....	P174	G10112.....	P214	G10217.....	P127	G10230.....	P59
G10108.....	P206	G10112.....	P274	G10217.....	P129	G10230.....	P73
G10108.....	P228	G10118.....	P133	G10217.....	P133	G10230.....	P105
G10108.....	P228	G10120.....	P167	G10217.....	P228	G10230.....	P115
G10108.....	P241	G10128.....	P145	G10218.....	P274	G10230.....	P133
G10108.....	P245	G10128.....	P147	G10227.....	P79	G10230.....	P133
G10108.....	P265	G10130.....	P66	G10227.....	P88	G10230.....	P146
G10108.....	P282	G10130.....	P144	G10227.....	P147	G10230.....	P153
G10109.....	P10	G10130.....	P239	G10227.....	P151	G10230.....	P157
G10109.....	P12	G10131.....	P144	G10227.....	P232	G10230.....	P228
G10109.....	P36	G10133.....	P12	G10228.....	P10	G10230.....	P237
G10109.....	P38	G10133.....	P36	G10228.....	P18	G10230.....	P239
G10109.....	P65	G10133.....	P38	G10228.....	P38	G10230.....	P239
G10109.....	P107	G10152.....	P286	G10228.....	P38	G10230.....	P246
G10109.....	P159	G10157.....	P127	G10228.....	P40	G10230.....	P265
G10109.....	P265	G10157.....	P129	G10228.....	P63	G10230.....	P274
G10110.....	P32	G10157.....	P133	G10228.....	P63	G10230.....	P286
G10110.....	P85	G10159.....	P153	G10228.....	P65	G10231.....	P237
G10110.....	P87	G10159.....	P154	G10228.....	P66	G10232.....	P143
G10110.....	P105	G10159.....	P155	G10228.....	P85	G10232.....	P151
G10110.....	P111	G10168.....	P154	G10228.....	P87	G10232.....	P151



Part No.	Page	Part No.	Page	Part No.	Page	Part No.	Page
G10232.....	P228	G10379.....	P235	G10531.....	P265	G10621.....	P71
G10233.....	P65	G10379.....	P235	G10531.....	P268	G10621.....	P73
G10233.....	P143	G10379.....	P265	G10535.....	P66	G10621.....	P88
G10233.....	P145	G10397.....	P139	G10544.....	P159	G10621.....	P139
G10233.....	P235	G10403.....	P85	G10546.....	P14	G10621.....	P209
G10233.....	P239	G10403.....	P87	G10546.....	P29	G10621.....	P214
G10235.....	P143	G10403.....	P111	G10551.....	P4	G10621.....	P215
G10243.....	P235	G10403.....	P124	G10551.....	P61	G10621.....	P268
G10252.....	P161	G10408.....	P232	G10564.....	P40	G10621.....	P268
G10252.....	P215	G10409.....	P232	G10567.....	P14	G10622.....	P8
G10253.....	P111	G10409.....	P239	G10567.....	P29	G10622.....	P16
G10260.....	P28	G10412.....	P143	G10570.....	P29	G10622.....	P42
G10261.....	P28	G10430.....	P144	G10574.....	P34	G10622.....	P73
G10284.....	P59	G10438.....	P4	G10574.....	P38	G10622.....	P211
G10292.....	P238	G10441.....	P140	G10588.....	P235	G10622.....	P282
G10303.....	P65	G10450.....	P228	G10599.....	P12	G10626.....	P236
G10303.....	P142	G10451.....	P40	G10599.....	P67	G10626.....	P237
G10303.....	P143	G10451.....	P59	G10599.....	P71	G10626.....	P239
G10303.....	P145	G10451.....	P235	G10599.....	P73	G10626.....	P274
G10303.....	P239	G10453.....	P144	G10602.....	P14	G10629.....	P237
G10303.....	P286	G10455.....	P146	G10602.....	P29	G10629.....	P239
G10305.....	P26	G10457.....	P135	G10602.....	P143	G10629.....	P274
G10305.....	P105	G10460.....	P147	G10602.....	P146	G10633.....	P237
G10306.....	P143	G10460.....	P153	G10602.....	P230	G10636.....	P137
G10306.....	P228	G10460.....	P154	G10602.....	P232	G10638.....	P235
G10306.....	P241	G10460.....	P155	G10615.....	P239	G10638.....	P268
G10307.....	P67	G10460.....	P233	G10619.....	P236	G10640.....	P153
G10308.....	P12	G10460.....	P235	G10620.....	P4	G10640.....	P155
G10308.....	P16	G10463.....	P59	G10620.....	P14	G10640.....	P157
G10309.....	P14	G10475.....	P22	G10620.....	P24	G10640.....	P228
G10309.....	P59	G10478.....	P239	G10620.....	P26	G10640.....	P235
G10310.....	P32	G10485.....	P237	G10620.....	P42	G10641.....	P146
G10310.....	P69	G10485.....	P274	G10620.....	P69	G10660.....	P29
G10310.....	P268	G10491.....	P169	G10620.....	P71	G10670.....	P24
G10312.....	P4	G10496.....	P66	G10620.....	P73	G10670.....	P26
G10312.....	P24	G10496.....	P145	G10620.....	P75	G10670.....	P30
G10312.....	P26	G10501.....	P38	G10620.....	P79	G10670.....	P235
G10314.....	P155	G10501.....	P143	G10620.....	P105	G10670.....	P239
G10315.....	P32	G10501.....	P239	G10620.....	P109	G10671.....	P130
G10325.....	P8	G10501.....	P239	G10620.....	P121	G10671.....	P137
G10325.....	P24	G10502X.....	P1	G10620.....	P123	G10672.....	P237
G10325.....	P105	G10503.....	P36	G10620.....	P142	G10674.....	P237
G10326.....	P19	G10503.....	P105	G10620.....	P145	G10674.....	P237
G10330.....	P140	G10503.....	P239	G10620.....	P239	G10674.....	P274
G10338.....	P14	G10504X.....	P57	G10620.....	P286	G10676.....	P100
G10338.....	P69	G10527.....	P145	G10621.....	P14	G10676.....	P101
G10338.....	P121	G10527.....	P146	G10621.....	P16	G10676.....	P266
G10338.....	P123	G10527.....	P147	G10621.....	P26	G10676.....	P269
G10348.....	P38	G10529.....	P117	G10621.....	P30	G10676.....	P272
G10370.....	P142	G10529.....	P119	G10621.....	P32	G10681.....	P181
G10371.....	P38	G10531.....	P28	G10621.....	P59	G10681.....	P238
G10379.....	P235	G10531.....	P42	G10621.....	P69	G10681.....	P282

Part No.	Page	Part No.	Page	Part No.	Page	Part No.	Page
G10686.....	P162	G10939.....	P159	G11091.....	P106	G11241.....	P268
G10693.....	P241	G10939.....	P174	G11091.....	P121	G11249.....	P42
G10718.....	P59	G10940.....	P10	G11091.....	P121	G11254.....	P140
G10722.....	P159	G10943.....	P79	G11091.....	P123	G11261.....	P119
G10725.....	P159	G10943.....	P107	G11091.....	P123	G11281.....	P22
G10727.....	P162	G10954.....	P213	G11091.....	P161	G11290.....	P127
G10732.....	P6	G10958.....	P174	G11091.....	P203	G11290.....	P129
G10732.....	P59	G10960.....	P42	G11091.....	P207	G11320.....	P75
G10746.....	P107	G10961.....	P42	G11091.....	P236	G11320.....	P107
G10746.....	P127	G10966.....	P32	G11091.....	P265	G11320.....	P107
G10746.....	P129	G10968.....	P66	G11100.....	P147	G11320.....	P107
G10751.....	P6	G10974.....	P36	G11100.....	P232	G11320.....	P163
G10751.....	P59	G10984X.....	P1	G11105X.....	P22	G11320.....	P246
G10751.....	P143	G10985X.....	P57	G11106.....	P209	G11320.....	P298
G10752.....	P6	G10991.....	P228	G11106X.....	P22	G11328.....	P117
G10752.....	P14	G10991.....	P241	G11107X.....	P22	G11332X.....	P22
G10753.....	P4	G10992.....	P151	G11123.....	P42	G11339.....	P117
G10753.....	P69	G10992.....	P151	G11123.....	P79	G11339.....	P161
G10757.....	P32	G10992.....	P213	G11123.....	P213	G11339.....	P213
G10758.....	P32	G10994.....	P238	G11124.....	P75	G11360.....	P115
G10765.....	P36	G11009.....	P16	G11124.....	P79	G11385.....	P29
G10765.....	P135	G11009.....	P22	G11124.....	P112	G11385.....	P32
G10770.....	P174	G11009.....	P71	G11124.....	P129	G11385.....	P40
G10809.....	P135	G11009.....	P73	G11124.....	P205	G11385.....	P85
G10810.....	P137	G11009.....	P121	G11124.....	P213	G11385.....	P87
G10821.....	P146	G11009.....	P123	G11135.....	P181	G11385.....	P88
G10821.....	P232	G11015.....	P4	G11135.....	P265	G11385.....	P105
G10829.....	P213	G11015.....	P61	G11147.....	P83	G11385.....	P107
G10829.....	P237	G11018.....	P18	G11152X.....	P22	G11385.....	P121
G10844.....	P154	G11018.....	P63	G11153X.....	P22	G11385.....	P123
G10844.....	P159	G11042X.....	P22	G11154X.....	P22	G11385.....	P161
G10857.....	P245	G11046X.....	P22	G11160.....	P207	G11385.....	P181
G10860.....	P146	G11047X.....	P22	G11166.....	P163	G11385.....	P214
G10862.....	P105	G11048X.....	P22	G11166.....	P213	G11385.....	P215
G10864.....	P32	G11065.....	P268	G11166.....	P298	G11385.....	P246
G10870.....	P146	G11066.....	P151	G11172.....	P21	G11385.....	P260
G10871.....	P228	G11066.....	P151	G11182.....	P119	G11385.....	P265
G10880.....	P75	G11067.....	P213	G11188.....	P83	G11385.....	P268
G10890.....	P143	G11073.....	P29	G11188.....	P103	G11386.....	P10
G10901.....	P237	G11075.....	P145	G11202.....	P28	G11386.....	P10
G10901.....	P274	G11078.....	P147	G11202.....	P205	G11386.....	P10
G10907.....	P165	G11078.....	P232	G11202.....	P206	G11386.....	P10
G10909.....	P85	G11091.....	P6	G11202.....	P213	G11386.....	P65
G10909.....	P87	G11091.....	P65	G11203.....	P260	G11386.....	P119
G10909.....	P131	G11091.....	P83	G11209.....	P32	G11386.....	P119
G10923.....	P66	G11091.....	P103	G11215.....	P77	G11386.....	P151
G10923.....	P144	G11091.....	P105	G11215.....	P109	G11386.....	P151
G10923.....	P239	G11091.....	P105	G11220.....	P18	G11386.....	P162
G10932.....	P165	G11091.....	P105	G11223.....	P133	G11386.....	P167
G10939.....	P121	G11091.....	P105	G11228.....	P36	G11386.....	P207
G10939.....	P123	G11091.....	P105	G11236.....	P36	G11386.....	P228
G10939.....	P137	G11091.....	P105	G11237.....	P238	G11387.....	P4

Part No.	Page	Part No.	Page	Part No.	Page	Part No.	Page
G11387	P4	G11389	P229	G11497	P272	G11958	P16
G11387	P12	G11389	P232	G11508	P266	G11960	P205
G11387	P12	G11389	P237	G11508	P272	G11960	P206
G11387	P14	G11391	P12	G11514	P6	G11961	P205
G11387	P19	G11391	P18	G11514	P59	G11966	P235
G11387	P24	G11391	P40	G11514	P59	G11976	P6
G11387	P32	G11391	P63	G11522	P119	G11976	P59
G11387	P59	G11391	P127	G11528	P213	G11998	P26
G11387	P59	G11391	P129	G11539	P71	G12002-35	P99
G11387	P67	G11391	P130	G11539	P73	G12002-35	P276
G11387	P69	G11391	P135	G11539	P119	G12002-60	P99
G11387	P73	G11391	P140	G11554	P252	G12003-20	P259
G11387	P75	G11391	P143	G11554	P253	G12003-20	P265
G11387	P85	G11391	P153	G11554	P254	G12015	P99
G11387	P87	G11391	P157	G11556	P22	G12039	P99
G11387	P105	G11391	P159	G11556	P139	G12068	P276
G11387	P105	G11391	P161	G11574	P259	G12081	P259
G11387	P123	G11391	P213	G11575	P259	G12081	P265
G11387	P131	G11391	P228	G11578	P22	G12215	P235
G11387	P143	G11391	P229	G11583	P260	G12215	P235
G11387	P146	G11391	P233	G11583	P271	G12216	P235
G11387	P159	G11392	P36	G11588	P213	G12217	P235
G11387	P161	G11392	P140	G11591	P4	G12217	P235
G11387	P169	G11392	P214	G11591	P61	G12218	P235
G11387	P181	G11396	P127	G11592	P4	G12222-35	P276
G11387	P206	G11396	P129	G11592	P61	*G15023	P183
G11387	P211	G11400	P153	G11618	P21	*G15082-77	P183
G11387	P228	G11400	P155	G11619	P21	*G15098-150	P183
G11387	P239	G11400	P157	G11619	P22	G16040	P87
G11387	P241	G11408	P105	G11687	P28	G1007301	P117
G11387	P245	G11409	P215	G11693	P22	G1077330	P253
G11387	P265	G11418	P159	G11698	P259	G10011101	P6
G11388	P137	G11418	P213	G11742	P162	G10011201	P6
G11389	P18	G11419	P12	G11793	P29	G10011301	P59
G11389	P36	G11445	P28	G11815	P137	G10011401	P59
G11389	P40	G11447	P28	G11848	P75	G10017201	P117
G11389	P59	G11448	P22	G11862	P12	G10018001	P85
G11389	P63	G11453	P147	G11874	P130	G10018501	P85
G11389	P65	G11453	P232	G11875	P40	G10018501	P87
G11389	P71	G11457	P266	G11921	P79	G10018801	P8
G11389	P83	G11457	P269	G11924	P235	G10019303	P117
G11389	P85	G11458	P271	G11929	P42	G10020001	P286
G11389	P131	G11460	P252	G11929	P71	G10020501	P214
G11389	P135	G11460	P253	G11929	P73	G10020601	P214
G11389	P137	G11460	P254	G11929	P265	G10028601	P10
G11389	P139	G11467	P259	G11942	P235	G10028701	P10
G11389	P145	G11467	P271	G11942	P235	G10028801	P10
G11389	P161	G11468	P266	G11942	P235	G10034401	P214
G11389	P181	G11468	P269	G11942	P235	G10034501	P214
G11389	P215	G11468	P272	G11950	P235	G10038601	P4
G11389	P228	G11473	P235	G11950	P235	G10038601	P61
G11389	P228	G11494	P272	G11950	P235	G10047601	P103

Part No.	Page	Part No.	Page	Part No.	Page	Part No.	Page
G10047801	P88	G10242801	P224	G10399301	P278	G10609021	P245
G10048201	P88	G10243001	P209	G10399801	P198	G10609021	P250
G10048301	P85	G10252301	P139	G10399901	P198	G10611001	P276
G10048301	P87	G10257701	P211	G10406601	P266	G10612801	P269
G10048401	P85	G10258402	P4	G10406701	P266	G10614301	P22
G10048401	P87	G10258501	P61	G10406701	P269	G10614901	P103
G10048501	P85	G10267501	P42	G10406701	P272	G10615901	P103
G10048501	P87	G10267601	P42	G10406801	P259	G10615902	P103
G10049501	P224	G10269201	P221	G10406801	P271	G10616002	P103
G10053801	P171	G10269201	P224	G10418802	P42	G10616501	P283
G10057501	P119	G10286102	P224	G10425601	P259	G10616502	P250
G10058001	P119	G10288701	P92	G10428401	P159	G10616505	P245
G10062101	P161	G10288701	P198	G10428601	P159	G10616601	P283
G10062201	P161	G10300501	P87	G10428701	P159	G10616602	P245
G10069801	P214	G10300601	P87	G10434301	P278	G10616701	P283
G10074001	P297	G10302401	P42	G10437901	P266	G10616710	P245
G10074701	P221	G10302501	P119	G10444801	P274	G10616801	P283
G10074801	P221	G10316201	P203	G10464101	P269	G10616812	P245
G10074801	P224	G10316201	P217	G10464101	P272	G10617701	P177
G10087001	P88	G10316201	P221	G10466101	P259	G10617801	P42
G10087001	P198	G10316201	P224	G10473901	P269	G10618301	P260
G10088301	P42	G10318901	P212	G10474501	P266	G10629701	P259
G10090401	P8	G10322501	P10	G10474701	P266	G10629801	P260
G10098201	P198	G10329801	P14	G10475701	P4	G10629901	P260
G10112902	P211	G10331001	P95	G10475701	P205	G10631801	P276
G10112902	P213	G10331601	P221	G10478801	P213	G10632101	P259
G10113001	P73	G10331601	P224	G10478901	P221	G10636801	P260
G10114001	P213	G10333501	P198	G10478901	P224	G10640901	P178
G10116601	P16	G10333701	P92	G10483101	P22	G10649801	P224
G10122301	P4	G10333801	P198	G10483101	P22	G10663901	P260
G10122301	P61	G10334701	P10	G10483201	P22	G10664901	P22
G10129501	P119	G10334801	P10	G10483401	P22	G10665001	P22
G10132501	P119	G10334901	P10	G10496401	P259	G10665101	P22
G10146001	P16	G10335001	P10	G10500901	P4	G10673201	P274
G10146001	P265	G10335101	P10	G10500901	P61	G10673701	P274
G10169501	P212	G10335201	P10	G10510201	P245	G10674701	P265
G10169701	P171	G10336501	P181	G10510201	P265	G10681401	P259
G10176901	P42	G10337001	P178	G10513001	P278	G10681501	P269
G10176901	P260	G10337001	P224	G10513101	P278	G10692601	P129
G10180301	P59	G10339301	P198	G10514101	P276	G10692701	P127
G10180301	P123	G10367101	P75	G10522501	P255	G10692801	P140
G10186001	P265	G10367101	P289	G10532101	P275	G10692901	P140
G10186901	P198	G10367201	P295	G10542204	P201	G10693001	P140
G10200501	P85	G10371001	P73	G10556101	P275	G10695001	P245
G10200501	P87	G10371801	P151	G10556201	P276	G10695301	P252
G10201101	P210	G10371801	P296	G10580101	P259	G10695301	P253
G10213601	P42	G10371901	P291	G10584701	P212	G10695301	P254
G10213601	P224	G10383201	P162	G10600701	P213	G10695901	P245
G10213602	P42	G10398301	P266	G10602501	P265	G10695901	P250
G10213602	P224	G10398701	P259	G10608701	P253	G10695902	P250
G10227601	P297	G10398701	P261	G10609002	P260	G10696001	P137
G10229401	P206	G10399301	P276	G10609007	P251	G10698001	P221

Part No.	Page	Part No.	Page	Part No.	Page	Part No.	Page
G10702801	P245	G10821801	P224	G10952801	P246	GA0257	P159
G10702901	P245	G10827701	P275	G10963001	P257	GA0378	P144
G10709001	P177	G10829101	P252	G10974401	P261	GA1720	P6
G10709101	P214	G10829101	P253	G10974501	P261	GA1720	P69
G10712701	P265	G10829101	P254	G10974601	P261	GA2007	P14
G10713401	P265	G10829101	P260	G10975501	P261	GA2007	P59
G10713501	P265	G10829101	P265	G10975601	P278	GA2012L	P8
G10713601	P245	G10829101	P266	G10975701	P278	GA2012R	P8
G10713901	P245	G10829101	P269	G10975801	P278	GA2014	P36
G10715801	P274	G10829101	P271	G10975901	P278	GA2014	P38
G10724901	P224	G10829101	P272	G10976001	P278	GA2068	P143
G10734101	P245	G10829101	P274	G10976101	P278	GA2180	P65
G10735201	P245	G10832301	P257	G10976201	P278	GA3292	P75
G10737901	P245	G10832401	P257	G10976301	P278	GA3893	P239
G10738101	P245	G10832701	P257	G10976401	P278	GA4444	P24
G10738101	P250	G10833001	P251	G10976501	P278	GA4444	P26
G10739301	P245	G10833001	P252	G10976601	P278	GA4444	P30
G10740701	P127	G10833001	P253	G10976701	P278	GA4620	P239
G10741301	P260	G10833001	P254	G10976801	P278	GA4736	P140
G10764001	P278	G10833101	P257	G10976901	P278	GA4976	P237
G10764101	P278	G10835701	P140	G10977001	P278	GA4995	P103
G10771701	P262	G10840303	P225	G10977101	P278	GA5090	P143
G10771801	P262	G10840303	P226	G10977201	P278	GA5105	P143
G10771901	P260	G10840303	P250	G10977301	P278	GA5105	P145
G10772302	P256	G10840303	P251	G10977401	P278	GA5105	P146
G10772501	P257	G10840901	P257	G10983101	P22	GA5105	P232
G10772601	P256	G10851201	P221	G10983201	P22	GA5106	P146
G10773001	P256	G10851201	P224	G10983301	P22	GA5107	P65
G10773101	P255	G10864001	P224	G10984101	P99	GA5107	P143
G10773301	P251	G10864001	P225	G10984201	P99	GA5107	P146
G10773301	P252	G10864101	P224	G10984701	P99	GA5107	P230
G10773301	P254	G10864101	P225	G10984901	P99	GA5108	P146
G10773801	P251	G10864201	P224	G10985101	P99	GA5108	P146
G10773801	P252	G10864201	P225	G10985201	P99	GA5109	P146
G10773801	P253	G10864801	P221	G10985301	P99	GA5110	P146
G10773801	P254	G10864801	P226	G10985401	P99	GA5111	P146
G10805001	P245	G10864901	P221	G10985501	P99	GA5112	P146
G10814401	P276	G10864901	P226	G10986701	P268	GA5113	P146
G10817701	P260	G10884801	P73	G10986801	P268	GA5114	P143
G10820001	P268	G10884801	P221	G10986901	P268	GA5114	P146
G10820002	P268	G10884801	P226	G10987001	P268	GA5114	P230
G10820003	P268	G10887401	P245	G10987201	P268	GA5115	P230
G10820004	P268	G10887401	P250	G10987302	P265	GA5116	P146
G10820005	P268	G10887402	P245	G10987601	P265	GA5121	P105
G10820006	P268	G10887501	P250	G10991001	P268	GA5121	P137
G10820007	P268	G10898401	P215	G10991201	P59	GA5146	P146
G10820008	P268	G10923501	P183	G10991301	P59	GA5157	P142
G10820009	P268	G10928301	P140	G10991401	P275	GA5164	P144
G10820010	P268	G10936101	P22	G10992701	P282	GA5164	P286
G10820011	P268	G10938301	P215	G11007101	P255	GA5165	P144
G10820012	P268	G10943101	P255	G11009001	P274	GA5194	P239
G10820013	P268	G10944501	P282	GA0245	P159	GA5223	P230

Part No.	Page	Part No.	Page	Part No.	Page	Part No.	Page
GA5229	P230	GA8022	P217	GA10918	P189	GA14446	P98
GA5552	P170	GA8046	P205	GA10924	P203	GA14446	P187
GA5600	P205	GA8047	P203	GA11024	P239	GA14446	P189
GA5624	P146	GA8047	P205	GA11079	P133	GA14446	P195
GA5629	P146	GA8092	P66	GA11331	P65	GA14600	P77
GA5654	P36	GA8135	P206	GA11331	P286	GA14600	P109
GA5654	P38	GA8326	P29	GA11971	P59	GA14804	P151
GA5917	P236	GA8328	P77	GA11982	P18	GA14804	P259
GA6147	P206	GA8328	P149	GA11982	P63	GA14805	P77
GA6171	P10	GA8329	P77	GA11988	P151	GA14805	P107
GA6171	P12	GA8329	P149	GA11991	P151	GA14813	P259
GA6171	P12	GA8364	P29	GA11992	P151	GA14822	P105
GA6171	P12	GA8366	P24	GA11997	P151	GA14846	P149
GA6337	P230	GA8366	P29	GA12104	P151	GA14847	P77
GA6418	P127	GA8371	P26	GA12108	P228	GA14847	P109
GA6418	P129	GA8371	P30	GA12109	P228	GA15151	P159
GA6422	P135	GA8603	P34	GA12143	P14	GA15197	P12
GA6434	P12	GA8603	P228	GA12163	P133	GA15422	P163
GA6497	P137	GA8641	P34	GA12164	P133	GA15422	P298
GA6514	P146	GA8760	P36	GA12178	P145	GA15473	P28
GA6579	P232	GA8882	P165	GA12235	P36	GA15485	P16
GA6597	P12	GA8888	P165	GA12236	P36	GA15485	P42
GA6741	P32	GA8911	P137	GA12236	P38	GA15485	P71
GA6832	P38	GA8911	P174	GA12330	P241	GA16082	P205
GA6833	P38	GA8911	P183	GA12358	P151	GA16157	P236
GA6834	P38	GA8931	P242	GA12403	P205	GA16374	P69
GA6838	P38	GA9144	P205	GA12626	P151	GA16391	P149
GA6849	P137	GA9433	P228	GA12641	P268	GA16391	P217
GA6859	P153	GA9434	P228	GA12767	P75	GA16391	P221
GA6884	P168	GA9437	P228	GA12812	P77	GA16428	P236
GA6884	P168	GA9559	P135	GA12812	P109	GA17034	P105
GA6884	P183	GA9559	P174	GA12812	P149	GA17113	P88
GA6906	P32	GA9559	P183	GA12812	P217	GA17113	P187
GA6966	P228	GA9820	P228	GA12813	P149	GA17113	P189
GA6978	P149	GA9846	P143	GA12858	P149	GA17426	P175
GA7022	P135	GA9963	P149	GA12858	P217	GA17547	P149
GA7154	P65	GA9964	P77	GA13169	P151	GA17547	P205
GA7154	P239	GA9964	P149	GA13204	P214	GA17547	P217
GA7270	P32	GA9978	P205	GA13512	P151	GA18195	P28
GA7336	P146	GA9978	P205	GA13521	P206	GA18353	P215
GA7336	P232	GA10030	P232	GA13551	P109	GA18486	P207
GA7375	P236	GA10047	P228	GA13551	P203	GA18576	P282
GA7841	P147	GA10048	P228	GA13665	P133	GA18720	P245
GA7850	P205	GA10151	P69	GA13673	P133	GA18933	P73
GA7850	P217	GA10157	P4	GA13783	P133	GA19432	P111
GA7853	P205	GA10603	P239	GA13944	P149	GA19432	P185
GA7853	P217	GA10799	P77	GA13944	P217	GA19432	P193
GA7854	P205	GA10799	P109	GA13986	P103	GA20111	P22
GA7855	P205	GA10918	P85	GA14041	P105	GA20270	P80
GA7857	P205	GA10918	P111	GA14049	P236	GA20271	P80
GA7859	P205	GA10918	P124	GA14112	P236	GA20272	P80
GA7859	P217	GA10918	P185	GA14127	P151	GA20283	P88

Part No.	Page	Part No.	Page	Part No.	Page	Part No.	Page
GA20622	P22	GA22554-375	P219	GA24857	P168	GA25717	P137
GA20640	P14	GA22555-20	P219	GA24873	P20	GA25722	P135
GA20640	P121	GA22555-90	P219	GA24877	P22	GA25725	P137
GA20640	P123	GA22555-94	P219	GA24878	P22	GA25733	P105
GA20688	P137	GA22555-115	P219	GA24889	P59	GA25735	P83
GA20710	P28	GA22556-91	P219	GA24891	P183	GA25736	P83
GA20711	P221	GA22556-100	P219	GA24921	P183	GA25737	P83
GA20712	P26	GA22556-134	P219	GA25029	P16	GA25749	P228
GA20712	P73	GA22793	P151	GA25029	P71	GA25753	P235
GA20712	P221	GA22793	P151	GA25029	P73	GA25755	P139
GA20732	P255	GA22901	P111	GA25029	P221	GA25757	P235
GA20822	P170	GA22901	P185	GA25030	P221	GA25758	P235
GA20902	P205	GA22901	P193	GA25030	P224	GA25760	P131
GA20903	P210	GA24239	P34	GA25031	P221	GA25774	P203
GA20914	P16	GA24281	P209	GA25031	P224	GA25775	P139
GA20914	P71	GA24284	P209	GA25032	P221	GA25775	P203
GA20914	P73	GA24285	P209	GA25032	P224	GA25776	P139
GA21067	P80	GA24364	P28	GA25033	P221	GA25776	P203
GA21067	P80	GA24365	P105	GA25033	P224	GA25785	P217
GA21067	P81	GA24366	P105	GA25038	P16	GA25857	P181
GA21067	P172	GA24373	P65	GA25039	P71	GA25857	P200
GA21143	P209	GA24374	P105	GA25067	P105	GA25890	P103
GA21151	P210	GA24376	P105	GA25084	P71	GA25891	P127
GA21152	P210	GA24377	P105	GA25084	P73	GA25891	P129
GA21158	P166	GA24381	P83	GA25107	P127	GA25892	P232
GA21158	P183	GA24381	P103	GA25107	P129	GA25893	P129
GA21159	P166	GA24381	P105	GA25170	P221	GA25902	P235
GA21190	P97	GA24414	P107	GA25207	P221	GA25905	P139
GA21239	P233	GA24415	P124	GA25257	P40	GA25908	P235
GA21309	P121	GA24422	P127	GA25258	P40	GA25909	P235
GA21309	P123	GA24426	P75	GA25261	P40	GA25913	P139
GA21406	P77	GA24426	P112	GA25261	P200	GA25914	P139
GA21406	P109	GA24426	P185	GA25264	P40	GA25919	P154
GA21450	P71	GA24429	P112	GA25264	P200	GA25919	P155
GA21456	P260	GA24449	P162	GA25265	P200	GA25922	P135
GA21482	P123	GA24487-100	P219	GA25289	P181	GA25949	P16
GA21510	P75	GA24488-27	P219	GA25289	P200	GA25949	P42
GA21510	P79	GA24488-64	P219	GA25304	P121	GA25949	P71
GA21515	P4	GA24488-96	P219	GA25304	P123	GA25949	P73
GA21515	P205	GA24495	P167	GA25388	P75	GA25949	P265
GA21614	P260	GA24496	P167	GA25388	P79	GA26076	P127
GA21676	P10	GA24507	P107	GA25388	P112	GA26104	P117
GA21677	P10	GA24605	P207	GA25397	P79	GA26111	P127
GA21687	P215	GA24605	P217	GA25399-36	P209	GA26111	P129
GA22273	P151	GA24676	P22	GA25399-36	P219	GA26164	P198
GA22522	P26	GA24694	P137	GA25401	P40	GA26267	P106
GA22522	P221	GA24694	P165	GA25406	P219	GA26272	P106
GA22547	P207	GA24694	P183	GA25434	P79	GA26287	P24
GA22547	P221	GA24695	P165	GA25435	P79	GA26287	P26
GA22547	P224	GA24715	P185	GA25437	P209	GA26287	P30
GA22554-265	P219	GA24752	P22	GA25550	P22	GA26297	P61
GA22554-325	P219	GA24758	P105	GA25606	P87	GA26330	P28



Part No.	Page	Part No.	Page	Part No.	Page	Part No.	Page
GA26331	P26	GB0115	P29	GB0428	P123	GB1218	P42
GA26398	P75	GB0116	P29	GB0430	P117	GB1223	P6
GA26527	P153	GB0156	P127	GB0430	P121	GB1223	P59
GA26527	P155	GB0156	P129	GB0430	P123	GB1224	P6
GA26528	P153	GB0186	P6	GB0431	P115	GB1224	P6
GA26528	P155	GB0198	P235	GB0431	P117	GB1224	P59
GA26673	P212	GB0199	P235	GB0444	P117	GB1224	P59
GA26709	P178	GB0200	P235	GB0455	P121	GB1249	P101
GA26742	P161	GB0218	P135	GB0455	P123	GB1313	P101
GA26746	P161	GB0218	P142	GB0464	P36	GB1313	P121
GA26839	P212	GB0230	P137	GB0554	P159	GB1313	P123
GA26876	P159	GB0239	P12	GB0577	P28	GD0453-02	P155
GA26884	P221	GB0254	P12	GB0579	P28	GD0746	P159
GA26884	P224	GB0259	P147	GB0673	P119	GD0840	P159
GA26885	P207	GB0265	P4	GB0675	P119	GD0914-12.50	P65
GA26885	P221	GB0266	P4	GB0676	P22	GD0914-210	P144
GA26885	P224	GB0266	P61	GB0697	P21	GD0914-215	P65
GA26886	P221	GB0267	P4	GB0717	P121	GD1026	P19
GA26886	P224	GB0267	P61	GB0717	P123	GD1026	P24
GA26909	P159	GB0268	P12	GB0780	P21	GD1026	P67
GA26920	P8	GB0274	P4	GB0815	P21	GD1026	P69
GA26924-01	P294	GB0274	P61	GB0818	P22	GD1026	P142
GA26924-02	P294	GB0276	P10	GB0823	P21	GD1026	P146
GA26924-03	P294	GB0278	P14	GB0827	P100	GD1026	P228
GA26924-04	P294	GB0278	P29	GB0901	P121	GD1059L	P26
GA26924-05	P294	GB0282	P12	GB0901	P123	GD1059L	P30
GA26924-06	P294	GB0287	P144	GB0905	P119	GD1059R	P26
GA26924-08	P294	GB0296	P228	GB0907	P22	GD1059R	P30
GA26924-09	P294	GB0314	P6	GB0920	P22	GD1060	P26
GA26924-10	P294	GB0314	P59	GB0921	P22	GD1060	P30
GA26924-11	P294	GB0322	P228	GB0926	P16	GD1061	P29
GA26924-12	P201	GB0323	P228	GB0926	P22	GD1063	P29
GA26924-13	P201	GB0331	P14	GB0926	P71	GD1065	P19
GA26958	P12	GB0331	P69	GB0926	P73	GD1085	P12
GA26989	P22	GB0331	P121	GB0926	P121	GD1109	P12
GA27032	P140	GB0331	P123	GB0926	P123	GD1113	P6
GA27037	P235	GB0366	P6	GB0958	P22	GD1113	P59
GA27038	P36	GB0383	P36	GB0968	P67	GD1113	P73
GA27095	P142	GB0387	P36	GB0968	P69	GD1113	P115
GA27105	P187	GB0387	P38	GB1090	P205	GD1113	P228
GA27105	P189	GB0389	P63	GB1090	P205	GD1113	P229
GA27124	P235	GB0390	P63	GB1090	P205	GD1113	P233
GA27146	P178	GB0391	P63	GB1147	P21	GD1113	P239
GA27156	P117	GB0392	P63	GB1190	P33	GD1113	P246
GA27157	P117	GB0393	P18	GB1195	P117	GD1113	P265
GA27158	P117	GB0395	P18	GB1196	P117	GD1113	P274
GA27159	P117	GB0396	P18	GB1197	P117	GD1114	P59
GA27169	P103	GB0397	P18	GB1199	P117	GD1132	P36
GA27170	P103	GB0397	P63	GB1201	P117	GD1132	P38
GA27174	P83	GB0400	P228	GB1203	P117	GD1200	P235
GA27176	P103	GB0405	P228	GB1204	P117	GD1207	P235
GA27185	P215	GB0428	P121	GB1206	P119	GD1255	P144



Part No.	Page	Part No.	Page	Part No.	Page	Part No.	Page
GD1256	P144	GD5827	P142	GD9120	P12	GD11558	P228
GD1512	P209	GD5827	P145	GD9129-01	P115	GD11579	P165
GD1512	P294	GD5830	P147	GD9254	P34	GD11649	P59
GD1514	P236	GD5835	P146	GD9695	P59	GD11677	P34
GD1515	P236	GD5857	P38	GD9715	P38	GD11700	P238
GD1516	P236	GD5857	P135	GD9720	P38	GD11721	P83
GD1517	P236	GD5857	P142	GD9724	P36	GD11721	P139
GD1719	P239	GD5857	P146	GD9724	P38	GD11721	P151
GD1747	P237	GD5857	P232	GD10036	P6	GD11751	P153
GD1862	P235	GD5857	P239	GD10036	P18	GD11950	P174
GD1862	P236	GD5875	P153	GD10057-20	P177	GD11962	P19
GD1862	P274	GD5875	P157	GD10110	P237	GD11962	P24
GD2117	P294	GD5886	P233	GD10283	P159	GD11999	P174
GD2161	P154	GD5961	P233	GD10519	P36	GD12101	P166
GD2161	P155	GD6279-03	P181	GD10532	P137	GD12103	P165
GD2169	P137	GD6291	P26	GD10544	P209	GD12239	P165
GD2199	P139	GD6291	P26	GD10918	P187	GD12501	P174
GD2199	P288	GD6291	P203	GD10963	P32	GD12502	P174
GD2423	P32	GD6551	P146	GD10984	P32	GD12510	P166
GD2548-10.25	P233	GD6825-10.5	P143	GD10991	P10	GD12561	P20
GD2548-10.75	P233	GD7127	P146	GD10993	P4	GD12676	P228
GD2558	P115	GD7127	P232	GD10993	P61	GD12677	P228
GD2558	P143	GD7137	P135	GD11001	P4	GD12679	P228
GD2558	P145	GD7145	P85	GD11045	P66	GD12685	P228
GD2558	P146	GD7148	P29	GD11045	P144	GD13170	P174
GD2558	P230	GD7258	P29	GD11045	P239	GD13172	P174
GD2558	P232	GD7318	P19	GD11089	P203	GD13173	P174
GD2597	P159	GD7426	P142	GD11089	P206	GD13287	P139
GD2721	P154	GD7426	P146	GD11123	P237	GD13287	P228
GD2721	P155	GD7803	P34	GD11123	P274	GD13287	P229
GD2734-18	P232	GD7804	P34	GD11124	P237	GD13302	P165
GD2947	P32	GD7822	P146	GD11124	P274	GD13303	P165
GD2971-10	P24	GD7867	P233	GD11158	P239	GD13348	P205
GD2971-24	P69	GD7870	P232	GD11218	P67	GD13400	P174
GD2971-26	P8	GD8189	P127	GD11218	P69	GD13425	P174
GD2984	P294	GD8189	P129	GD11219	P24	GD14217	P6
GD2984	P294	GD8189	P137	GD11239	P14	GD14258	P149
GD3180-05	P167	GD8306	P66	GD11239	P29	GD14413	P146
GD3180-28	P105	GD8306	P105	GD11240	P29	GD14427	P146
GD3180-30	P18	GD8306	P161	GD11259	P4	GD14431	P146
GD3180-30	P63	GD8306	P181	GD11259	P61	GD14432	P146
GD3612	P4	GD8306	P211	GD11264	P59	GD14626	P100
GD3612	P61	GD8306	P215	GD11279	P20	GD14660	P149
GD4743	P124	GD8306	P265	GD11297	P29	GD14671	P140
GD4743	P135	GD8460	P12	GD11305	P24	GD14671	P161
GD4743	P163	GD8751	P205	GD11305	P29	GD15100	P133
GD4743	P215	GD8770	P205	GD11306	P8	GD15386	P153
GD4887-01	P145	GD8771	P205	GD11413	P14	GD15386	P157
GD5625	P105	GD8893-01	P67	GD11413	P29	GD15538	P146
GD5752	P143	GD8893-01	P69	GD11424	P26	GD15725	P133
GD5753	P143	GD8893-07	P130	GD11424	P30	GD15792-13	P100
GD5756	P142	GD9047	P147	GD11474	P205	GD15804	P77
GD5756	P146	GD9047	P286	GD11557	P228	GD15804	P109

Part No.	Page	Part No.	Page	Part No.	Page	Part No.	Page
GD29321	P169	GD34098	P73	GD35837	P71	GR0880	P229
GD29413	P16	GD34103	P73	GD35838	P69	GR0881	P229
GD29413	P69	GD34103	P77	GD35838	P71	GR0882	P229
GD29413	P71	GD34104	P135	GD35844	P117	GR0883	P229
GD29413	P119	GD34287	P153	GD35857	P117	GR0912	P141
GD29413	P121	GD34372	P113	GD35858	P119	GR0912	P144
GD29423	P32	GD34701	P103	GD35903	P75	GR0912	P144
GD29459	P57	GD34702	P103	GD35928	P195	GR0912	P229
GD29491	P28	GD34763	P153	GD35929	P109	GR1015	P227
GD29492	P28	GD34774	P22	GD35929	P122	GR1016	P227
GD29507	P14	GD35037	P103	GD35937	P225	GR1017	P227
GD29625	P250	GD35058	P16	GD36260	P225	GR1018	P227
GD29625	P252	GD35126	P103	GD36277	P32	GR1019	P227
GD29625	P272	GD35127	P128	GD36333	P28	GR1035	P168
GD29657	P22	GD35216	P197	GD36388	P16	GR1037	P77
GD29689	P164	*GD35274-01	P117	GD36388	P69	GR1037	P77
GD29709	P235	GD35294	P73	GD36388	P71	GR1037	P168
GD29709	P240	GD35294	P77	GD36680	P201	GR1045	P167
GD29709	P241	GD35340	P128	GD36681	P201	GR1045	P168
GD29709	P250	GD35444	P8	GD36682	P201	GR1045	P168
GD29709	P252	GD35446	P78	GD36709	P10	GR1104	P231
GD29798	P4	GD35447	P73	GD36713	P10	GR1112	P231
GD29798	P119	GD35447	P77	GD36723	P197	GR1116	P231
GD30221	P160	GD35448	P73	GD36724	P197	GR1118	P231
GD30262	P200	GD35448	P77	GD36727	P159	GR1120	P231
GD30500	P173	GD35449	P69	GD36820	P201	GR1122	P229
GD30571	P78	GD35449	P71	GD36821	P200	GR1123	P231
GD30624	P276	GD35465	P197	GD36822	P200	GR1124	P231
GD30631	P163	GD35609	P16	GD36856	P8	GR1134	P231
GD30697	P163	GD35609	P40	GD36860	P8	GR1281	P166
GD30722	P160	GD35609	P69	GD36870	P115	GR1282	P166
GD30723	P160	GD35609	P71	GD36878	P276	GR1289	P166
GD30725	P8	GD35609	P255	GD36879	P276	GR1292	P28
GD30725	P36	GD35628	P69	GD36895	P12	GR1363	P147
GD30726	P16	GD35628	P71	GD36975	P167	GR1389	P231
GD30859	P135	GD35629	P16	GD36990	P8	GR1405	P64
GD30882	P77	GD35629	P40	GD37001	P117	GR1406	P64
GD31435	P95	GD35629	P69	GD37049	P115	GR1407	P64
GD31450	P143	GD35629	P71	GD37053	P135	GR1408	P64
GD33511	P79	GD35667	P225	GD37066	P105	GR1409	P64
GD33511	P170	GD35678	P142	GR0146	P287	GR1410	P64
GD33595	P103	GD35684	P225	GR0146MPP	P287	GR1411	P64
GD33756	P197	GD35713	P137	GR0150	P157	GR1412	P64
GD33757	P197	GD35717	P225	GR0151	P157	GR1413	P64
GD33758	P197	GD35724	P127	GR0193	P135	GR1414	P193
GD33759	P197	GD35725	P127	GR0196	P4	GR1415	P194
GD33953	P103	GD35726	P129	GR0196	P29	GR1466	P83
GD33958	P103	GD35729	P137	GR0196	P57	GR1466	P83
GD34015	P125	GD35732	P218	GR0196	P119	GR1466	P83
GD34015	P127	GD35743	P137	GR0196	P121	GR1526	P172
GD34015	P135	GD35836	P69	GR0375	P135	GR1533	P232
GD34071	P103	GD35836	P71	GR0508	P226	GR1535	P232
GD34081	P135	GD35837	P69	GR0586	P193	GR1540	P232

Part No.	Page	Part No.	Page	Part No.	Page	Part No.	Page
GR1541 .....	P232	**R1040 .....	P168				
GR1542 .....	P232	**R1041 .....	P168				
GR1543 .....	P231	**R1042 .....	P168				
GR1543 .....	P232	*R1043.....	P168				
GR1544 .....	P232	*R1044.....	P168				
GR1545 .....	P232	**R1046 .....	P168				
GR1570MPP .....	P287	*R1047.....	P168				
GR1574 .....	P232	**R1048 .....	P168				
GR1598 .....	P172						
GR1708 .....	P226						
GR1734 .....	P77						
GR1736 .....	P75						
GR1736 .....	P75						
GR1762 .....	P193						
GR1763 .....	P194						
GR1777 .....	P75						
GR1777 .....	P105						
GR1777 .....	P107						
GR1778 .....	P149						
GR1795 .....	P231						
GR1797 .....	P231						
GR1799 .....	P231						
GR1801 .....	P231						
GR1802 .....	P231						
GR1804 .....	P231						
GR1805 .....	P231						
GR1806 .....	P231						
GR1808 .....	P231						
GR1842MPP .....	P287						
GR1843 .....	P149						
GR1921 .....	P149						
GR1941 .....	P226						
GR1943 .....	P149						
GR1951 .....	P149						
GR2003 .....	P231						
GR2035 .....	P168						
GR2126 .....	P201						
GR2127MPP .....	P287						
GR2185 .....	P231						
GR2193 .....	P166						
GR2194 .....	P166						
GR2229 .....	P164						
GR2233 .....	P149						
GR2240MPP .....	P287						
GR2241MPP .....	P287						
GR2266 .....	P166						
GR2274 .....	P163						
*R1032.....	P168						
*R1033.....	P168						
*R1034.....	P168						
*R1036.....	P168						
**R1038 .....	P168						
**R1039 .....	P168						